

# **eureka!**<sup>®</sup>

*Invented for the way you clean™*

**4710 Series**

## **OWNER'S GUIDE** **Guía del Propietario** **Le Guide du Propriétaire**



**Thank you for purchasing your new Eureka Vacuum!**  
**¡Gracias por la compra de su nueva aspiradora Eureka!**  
**Merci d'avoir acheté votre nouvel aspirateur Eureka!**

**Before Returning, Call  
Eureka Customer Service**

**Antes de enviar de regreso, llame al Servicio al Cliente de Eureka**

**Avant de le retourner, appelez le service à la clientèle Eureka**

**HELPLINE LÍNEA DE AYUDA LIGNE D'AIDE**

**1-800-282-2886**

**8 a.m. to 7:30 p.m. (CST), Monday - Friday**  
**10 a.m. to 6:30 p.m. (CST), Saturday - Sunday**

**8 a.m. a 7:30 p.m. (CST), de Lunes a viernes**  
**10 a.m. a 6:30 p.m. (CST), sábado y domingo**

**8 h à 19 h 30 (CST), lundi au vendredi**  
**10 h à 18 h 30 (CST), samedi et dimanche**



**Upright Vacuum Cleaner**  
**Household Type**  
**Aspiradora vertical**  
**tipo doméstico**  
**Aspirateur vertical**  
**de type résidentiel**

**[www.eureka.com](http://www.eureka.com)**

# Where to Find Important Vacuum Information

## Keep this information

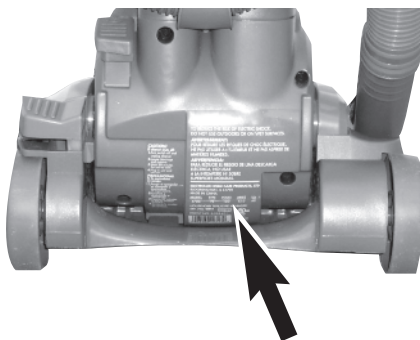
Write the model, type and serial number here:

Date of purchase (keep your receipt) \_\_\_\_\_

Model number and type \_\_\_\_\_

Serial number \_\_\_\_\_

Find these numbers on a label on the lower back side of the vacuum cleaner. Refer to these numbers when ordering parts and accessories or if service is needed.



## Before You Start Your Vacuum Cleaner

Refer to **Quick Start Guide** for assembly and use. This **Owner's Guide** provides important instructions to prolong the life of your Eureka vacuum cleaner.

## Inspection

Carefully unpack and inspect your new Eureka vacuum cleaner for shipping damage. Each unit is tested and thoroughly inspected before shipping. For instructions regarding any shipping damage, call Eureka Customer Service **HELPLINE 1-800-282-2886** immediately.

### Table of Contents

<b>Important Safeguards</b> .....	<b>1</b>
<b>How to Identify Parts of Vacuum Cleaner</b> .....	<b>2</b>
<b>Maintenance Information</b> .....	<b>2</b>
Dust cup and filter.	
<b>How to Use Accessories</b> .....	<b>3</b>
Telescopic self-cleaning duster, crevice tool, extension wand, dusting brush, Power Paw® and stair hose.	
<b>How to Maintain Your Vacuum Cleaner</b> .....	<b>4</b>
Maintain brush roll, replace brush roll or EXT-U belt, and change light bulb.	
<b>How to Clear a Blockage</b> .....	<b>5</b>
Hose blockages.	
<b>Eureka Limited Warranty Information</b> .....	<b>5</b>
<b>Thermal Cut-Off and Problem Solving</b> .....	<b>6</b>
<b>Spanish Owner's Guide</b> .....	<b>7-13</b>
<b>French Owner's Guide</b> .....	<b>14-20</b>
<b>Order Forms and Parts List</b> .....	<b>21-22</b>



Follow caution information wherever you see this symbol.

# IMPORTANT SAFEGUARDS

When using an electrical appliance, basic precautions should always be followed, including the following:

## READ ALL INSTRUCTIONS BEFORE USING THIS VACUUM CLEANER WARNING



To reduce the risk of fire, electric shock, or injury:

- Do not use outdoors or on wet surfaces.
- **Do not leave vacuum cleaner when plugged in.** Turn off the switch and unplug the electrical cord when not in use and before servicing.
- Do not allow to be used as a toy. Close attention is necessary when used by or near children.
- Use only as described in this manual. Use only manufacturer's recommended attachments.
- Do not use with damaged cord or plug. If vacuum cleaner is not working as it should, has been dropped, damaged, left outdoors, or dropped into water, return it to a service center before using.
- Do not pull or carry by cord. Do not use cord as a handle. Do not close a door on cord or pull cord around sharp edges or corners. Do not run vacuum cleaner over cord. Keep cord away from heated surfaces.
- Do not use extension cords or outlets with inadequate current carrying capacity.
- Turn off all controls before unplugging.
- Do not unplug by pulling on cord. To unplug, grasp the plug, not the cord.
- Do not handle plug or vacuum cleaner with wet hands.
- Do not put any object into openings. Do not use with any opening blocked; keep free of dust, lint, hair, and anything that may reduce airflow.
- This vacuum cleaner creates suction and contains a revolving brush roll. Keep hair, loose clothing, fingers, and all parts of body away from openings and moving parts.
- Do not place vacuum cleaner on furniture or stairs as the brush roll may cause damage. Use extra care when cleaning stairs. Place vacuum cleaner on floor with the handle in storage position while using attachments.
- Do not pick up anything that is burning or smoking, such as cigarettes, matches, or hot ashes.
- Do not use without dust cup, filter screen and filter in place.
- Belt pulleys can become hot during normal use. To prevent burns, avoid touching the belt pulley when servicing the drive belt.
- Do not use to pick up flammable or combustible liquids such as gasoline, or use in areas where they may be present.
- Store your vacuum cleaner indoors in a cool, dry area.
- Keep your work area well lighted.
- Unplug electrical appliances before vacuuming them.
- Unplug before connecting turbo nozzle.

## SAVE THESE INSTRUCTIONS

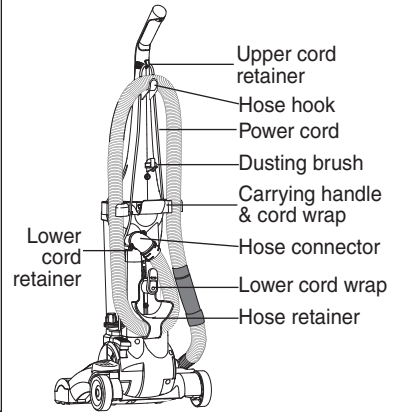
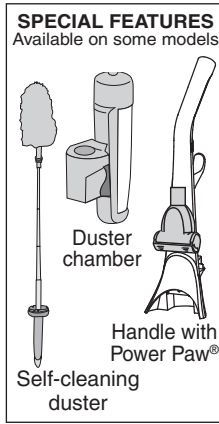
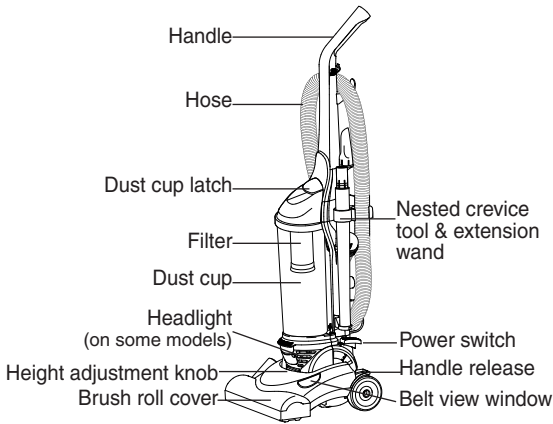
To reduce the risk of electric shock, this appliance has a polarized plug (one blade is wider than the other). This plug will fit in a polarized outlet only one way. If the plug does not fit fully into the outlet, reverse the plug. If it still does not fit, contact a qualified electrician to install the proper outlet. Do not change the plug in any way.



### Motor

**Do Not Oil** the motor or the brush roll at any time. The bearings are permanently lubricated and sealed.

# How to Identify Parts of Vacuum Cleaner



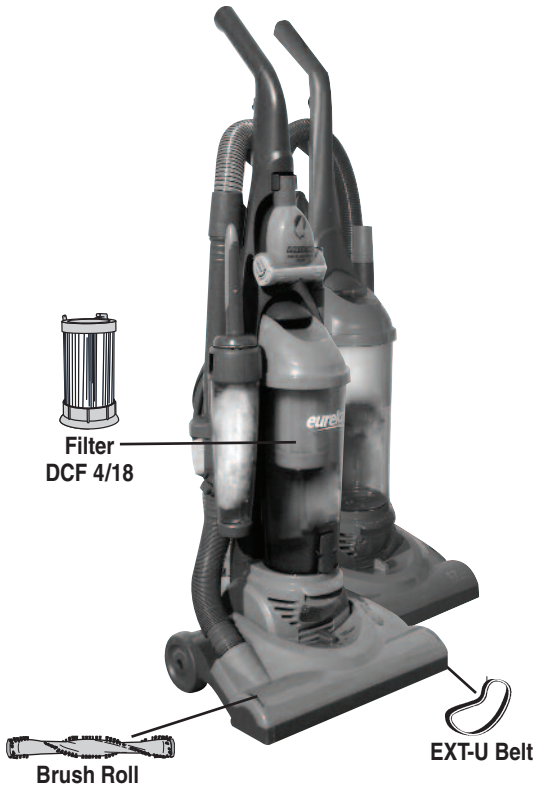
## Maintenance Information

Maintenance schedule is also located on back side of dust cup.



**READ ALL INSTRUCTIONS BEFORE USING THIS VACUUM CLEANER.**

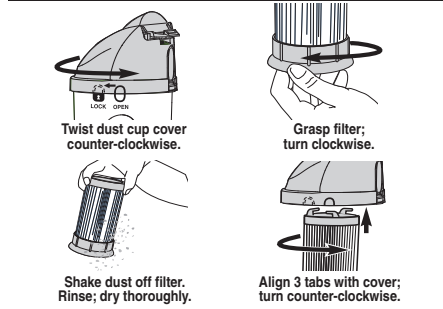
Moving parts! Assemble the vacuum cleaner before using.



### DUST CUP – Empty after each use



### FILTER DCF 4/18 – Clean or replace regularly to maintain suction



### FILTER DCF 4/18 – Replace within 6 months



### BRUSH ROLL – Clean monthly





# How to Use Accessories

Handle must be in upright position.

Replace hose end into vacuum base or duster chamber after using accessories.

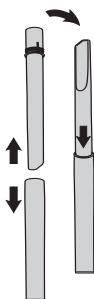
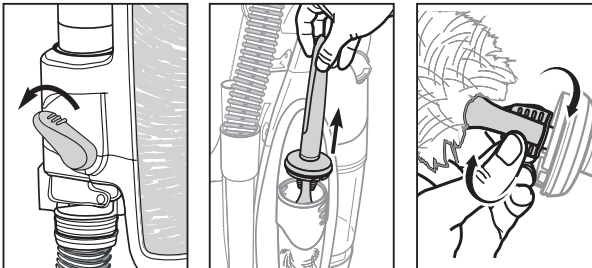
ENGLISH



## Telescopic Self-Cleaning Duster (on some models)

Use for furniture, blinds, pictures and high-reach areas. Can be used in short or extended positions.

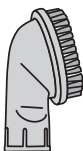
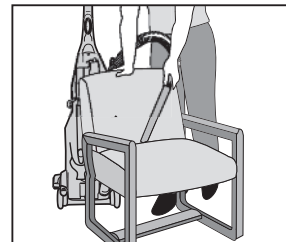
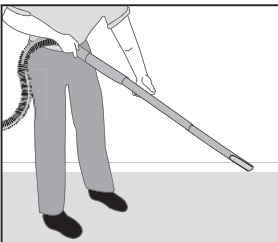
- 1) **Activate duster suction:** Turn vacuum on and push lever down for 10 seconds to clean duster.
- 2) Turn vacuum off and remove duster from cleaning chamber.
- 3) **Short position:** Dust low surfaces.
- 4) **Extended position:** Turn twist tabs to extend. Push firmly to collapse and turn to lock.



## Crevice Tool and Extension Wand

Use for baseboards and corners.

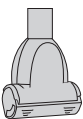
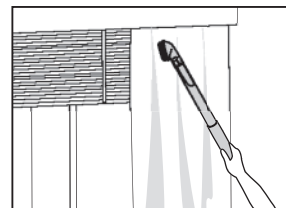
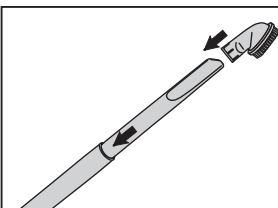
- 1) Loosen end of hose.
- 2) Grasp crevice tool and wand near ridges and pull apart.
- 3) Turn ridge end to center.
- 4) Push crevice tool into wand and place on end of hose.



## Dusting Brush

Use for furniture, drapes and vents.

- 1) Loosen end of hose.
- 2) Place dusting brush on end of hose, wand or crevice tool.



## Power Paw® Stair Hose

(with some models or available for purchase)

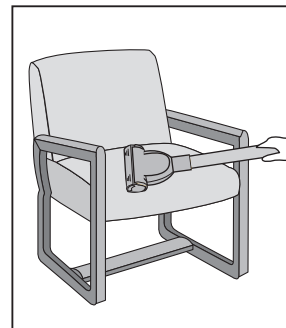
Use for furniture and stairs.

**Make sure vacuum is below you, pushed against the bottom step.**

- 1) If model has additional stair hose, attach to end of hose.
- 2) Attach Power Paw to the end of wand and hose.

**Vacuum must be turned off before removing debris from Power Paw.**

The Power Paw name is a registered trademark of Electrolux Home Care Products, Inc.





# How to Maintain Your Vacuum Cleaner

Make sure vacuum cleaner is turned off and power cord is unplugged

## Maintain Brush Roll



Motor can become hot with normal use.

Do not remove end caps. Remove hair and threads from brush roll periodically.



**Check EXT-U Belt. Replace if worn, cut or out of shape.**

**Avoid touching the motor shaft when checking brush roll or belt.**

### How to replace brush roll or belt

- 1) Use handle release to lower handle flat onto floor (Fig. 1).
- 2) Remove 2 screws from the front side of brush roll cover (Fig. 2).
- 3) Lift and remove brush roll cover (Fig. 3).
- 4) Remove brush roll and belt. Thread new belt around motor shaft and right end of brush roll (Fig. 4).
- 5) Pull right side of brush roll to stretch belt. Secure right end cap into base (Fig. 5). Align left end cap with square in base and push into place.
- 6) Rotate brush roll 2 turns to center belt.
- 7) Replace brush roll cover and 2 screws (Fig. 2).
- 8) Check belt view window to see if white dots on belt are moving. This indicates brush roll is turning (Fig. 6).

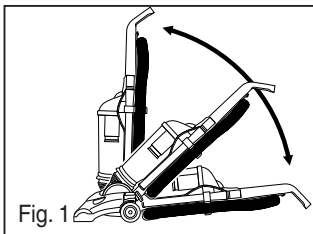


Fig. 1

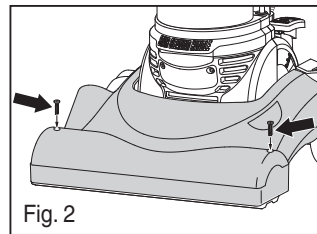


Fig. 2

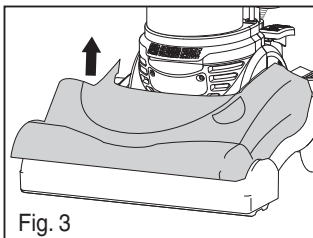


Fig. 3

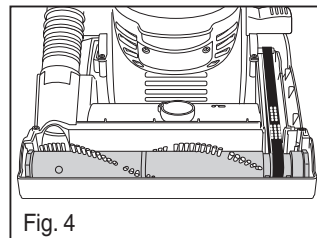


Fig. 4

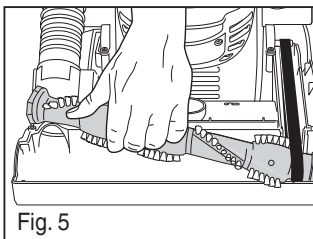


Fig. 5

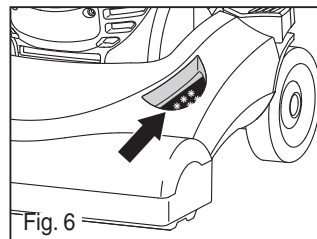


Fig. 6



**Change Light Bulb** (on some models)

**Make sure vacuum is turned off and power cord is unplugged.**

- 1) Remove 2 screws from lens cover (Fig. 7).
- 2) Remove lens cover and old bulb.
- 3) Replace with bulb rated 12v., 10w., Type 904. Push in new bulb, replace lens cover and replace screws (Fig. 8). Make certain bulb will not touch lens cover.

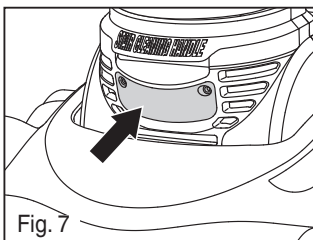


Fig. 7

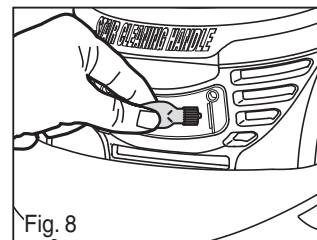


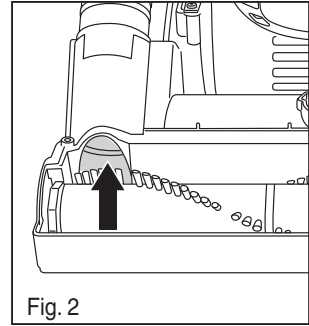
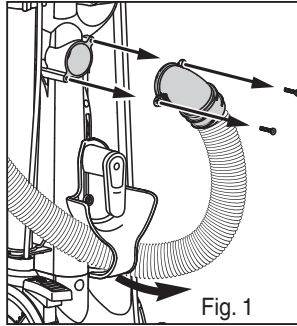
Fig. 8



## How to Clear a Blockage

Make sure vacuum is turned off and power cord is unplugged.

- 1) Loosen lower end of hose and pull hose retainer out to remove hose. Flex hose to loosen any blockage. If still clogged, remove 2 screws and remove hose from vacuum back (Fig. 1). Reconnect hose at both ends.
- 2) To check base hose, remove 2 screws and brush roll cover. Use finger to clear blockage (Fig. 2).
- 3) Clear debris from brush roll area. Replace cover and 2 screws.



## The Eureka Limited Warranty

Eureka warrants this vacuum cleaner to be free from defects in material and workmanship for a term of one year for normal household use. Warranty is granted only to the original purchaser and members of immediate household.

This warranty is good for one year from the date of purchase only when the vacuum cleaner is used in the accordance with Eureka operating instructions.

### This Warranty Does Not Cover

- Parts of the vacuum that require replacement under normal use such as disposable dust bags, filters, drive belts, light bulbs, brush roll, bristles, impellers and cleaning.
- Damages or malfunctions caused by negligence, abuse, and use not in accordance with the Owner's Guide.
- Defects or damages caused by unauthorized service or the use of other than Genuine Eureka, ARM & HAMMER™ and Filtrete™ by 3M parts.

### What Eureka Will Do

Eureka will, at its option, repair or replace a defective vacuum or vacuum part that is covered by this warranty. As a matter of warranty policy, **Eureka will not refund the consumer's purchase price.**

### Warranty Registration

Please fill out and return the warranty registration card accompanying your vacuum.

### Obtaining Warranty Service

To obtain warranty service you must return the vacuum or vacuum part along with "proof of purchase" to any Eureka Authorized Warranty Station. For Eureka

Authorized Warranty Station or Service Information, visit [www.eureka.com](http://www.eureka.com), write or telephone toll free:

**USA: 1-800-282-2886**  
Electrolux Home Care  
North America Service Division  
P.O. Box 3900  
Peoria, IL 61612

**Mexico: (55) 5343-384**  
Electrolux Home Care

**Canada: 1-800-282-2886**  
Electrolux Home Care  
North America Service Division  
5855 Terry Fox Way  
Mississauga, Ontario L5V 3E4

### Obtaining Warranty Service Outside Your Community

You must pay the shipping charges to the Eureka Authorized Warranty Station.

**Return Shipping Charges** will be paid by the Warranty Station. When returning parts for repair, please include the model, type and serial number located on the rating plate on the lower backside of the vacuum.

### Further Limitations and Exclusions

Any warranty that may be implied in connection with your purchase or use of the vacuum, including any warranty of Merchantability or any warranty for Fitness For A Particular Purpose is limited to the duration of this warranty. Some states do not allow limitations on how long an implied warranty lasts, so the above limitations may not apply to you.

Your relief for the breach of this warranty is limited to the relief expressly provided above. In no event shall the manufacturer be liable for any consequential or incidental damages you may incur in connection with your purchase or use of the vacuum.

Some states do not allow the exclusion or limitation of incidental or consequential damages, so the above limitation or exclusion may not apply to you.

This warranty gives you specific legal rights. You may also have other rights, which may vary by state.

The ARM & HAMMER name is a trademark of Church and Dwight Co., Inc. 3M and Filtrete are trademarks of 3M Company, used by Electrolux Home Care Products, Inc. under license.

## Thermal Cut-Off

This vacuum cleaner has a special thermostat that protects the vacuum in case of motor overheating. If the vacuum suddenly shuts off, push the power switch to off (O) and unplug the vacuum. Check the vacuum for a possible source of overheating such as a full dust cup, blocked hose or clogged filter. If these conditions are found, fix them and wait at least 30 minutes before attempting to use the vacuum. After the 30 minute period, plug the vacuum back in and turn on the switch. If the vacuum still does not work, take it to a Eureka authorized service center for repair or call 1-800-282-2886.

## Problem Solving

 **Make sure vacuum is turned off and power cord is unplugged.**

Problem	Cause	Solution
<b>Motor will not start.</b>	Power plug	<ul style="list-style-type: none"> <li>• Push plug securely into outlet.</li> <li>• Try another outlet.</li> <li>• Check circuit breaker.</li> </ul>
	Power switch	<ul style="list-style-type: none"> <li>• Step on power switch to turn vacuum on.</li> </ul>
	Thermal cut-off	<ul style="list-style-type: none"> <li>• See above.</li> </ul>
<b>Vacuum does not clean carpet.</b>	Dust cup and filter	<ul style="list-style-type: none"> <li>• Empty dust cup, clean and/or change filter.</li> <li>• If picking up fine dust, the dust cup may not look full, but a fine substance tends to reduce suction when it blocks air flow through the filter. Refer to page 2 for filter maintenance. Make sure filter and dust cup are installed properly.</li> </ul>
	Belt	<ul style="list-style-type: none"> <li>• Replace a worn, cut or out of shape belt. Page 4</li> </ul>
	Hose	<ul style="list-style-type: none"> <li>• Remove clogs from the hose that restrict the airflow. Page 5</li> <li>• Make sure both ends of hose are placed in openings.</li> </ul>
	Carpet height setting	<ul style="list-style-type: none"> <li>• Turn height adjustment knob to another position.</li> </ul>
<b>No suction at the end of hose.</b>	Dust cup and filter	<ul style="list-style-type: none"> <li>• Empty dust cup, clean and/or change filter.</li> <li>• If picking up fine dust, the dust cup may not look full, but a fine substance tends to reduce suction when it blocks air flow through the filter. Refer to page 2 for filter maintenance. Make sure filter and dust cup are installed properly.</li> </ul>
	Hose	<ul style="list-style-type: none"> <li>• Remove clogs from the hose that restrict the airflow. Page 5</li> <li>• Make sure both ends of hose are placed in openings.</li> </ul>
<b>Vacuum is hard to push.</b>	Carpet height setting	<ul style="list-style-type: none"> <li>• Adjust knob to a higher position.</li> </ul>
	Belt	<ul style="list-style-type: none"> <li>• Replace a worn, cut or out of shape belt. Page 4</li> </ul>
<b>Burning smell; brush roll will not turn.</b>	Belt	<ul style="list-style-type: none"> <li>• Check brush roll for debris. Page 4</li> <li>• Replace broken or out of shape belt. Page 4</li> </ul>



## Free Manuals Download Website

<http://myh66.com>

<http://usermanuals.us>

<http://www.somanuals.com>

<http://www.4manuals.cc>

<http://www.manual-lib.com>

<http://www.404manual.com>

<http://www.luxmanual.com>

<http://aubethermostatmanual.com>

Golf course search by state

<http://golfingnear.com>

Email search by domain

<http://emailbydomain.com>

Auto manuals search

<http://auto.somanuals.com>

TV manuals search

<http://tv.somanuals.com>