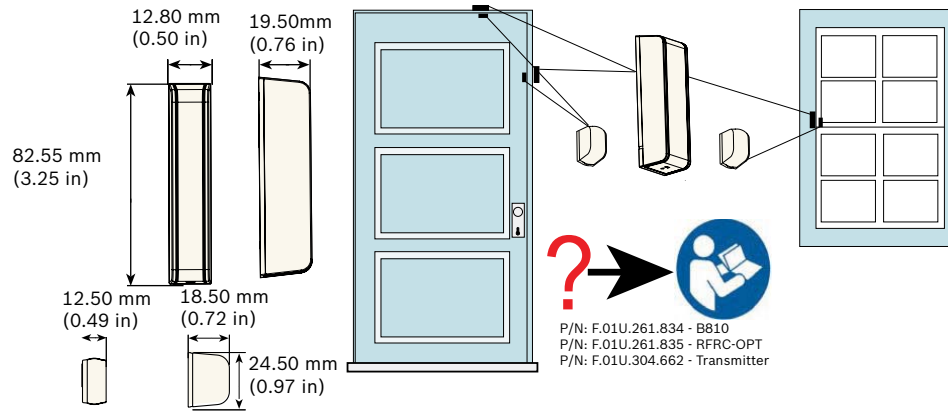


**RADION contact SM**  
RFDW-SM/RFDW-SM-A



Installation Manual



P/N: F.01U.261.834 - B810  
P/N: F.01U.261.835 - RFRC-OPT  
P/N: F.01U.304.662 - Transmitter

**UL - only models RFDW-SM-A are evaluated by UL**  
UL634: Standard for Connectors and Switches for use with Burglar-Alarm Systems  
UL1023: Household Burglar-Alarm System Units

FCC, Part 15  
Industry Canada (IC)  
**INCERT**  
B-509-0072  
RFDW-SM only

VdS  
HI16003  
RFDW-SM only

**Bosch YouTube Channel:**

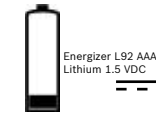
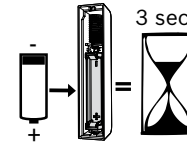


AFNOR - only RFDW-SM is certified  
AFNOR: www.marque-nf.com  
CNPP: www.cnpp.com  
NF324-H58  
Certificate number 2120200022  
RTC 50131-2-6  
Autosurveillance a l'ouverture

CE  
EN 50131-2-6  
EN 50131-5-3  
Grade 2  
Environment Class II

**ANATEL**

Brazil	ANATEL	Modelo: RFDW-SM-A 02798-13-01855	Este equipamento opera em caráter secundário, isto é, não tem direito a proteção contra interferência prejudicial, mesmo de estações do mesmo tipo, e não pode causar interferência a sistemas operando em caráter primário
--------	--------	----------------------------------	---

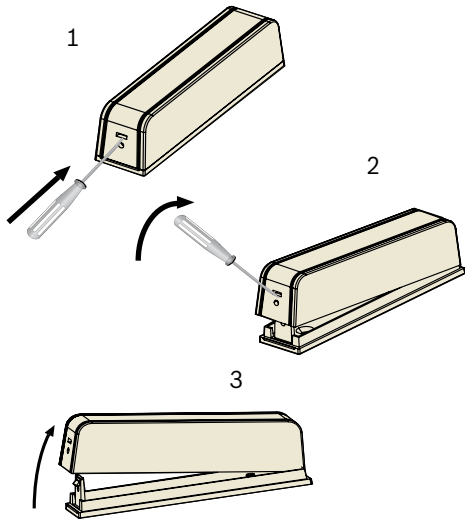


433.42 MHz  
10 mW maximum  
0 - 93% Non-condensing humidity

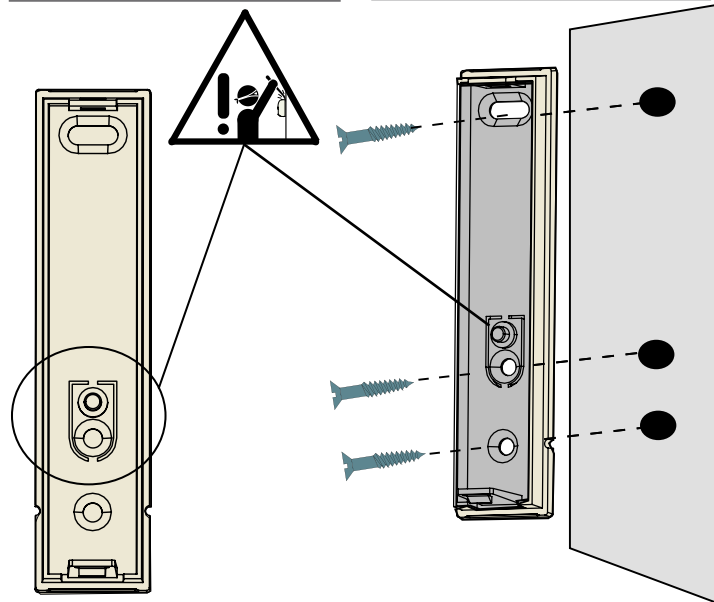


Functional range: -10°C to +55°C (+14°F to +131°F)  
UL only: 0°C to +49°C (+32°F to +120°F)  
EN 50130-5 Class II: -10°C to +55°C (+14°F to +131°F)  
IP30/IK04

**1**

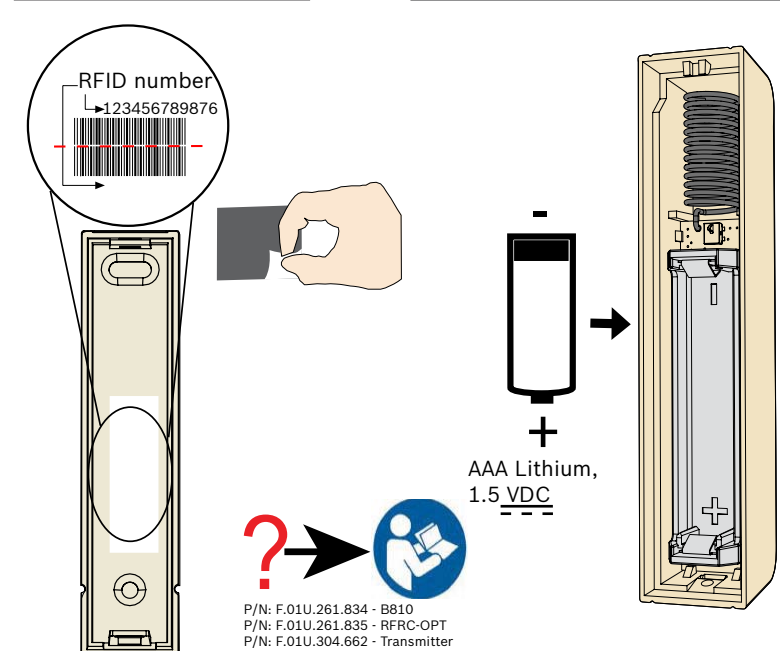


**2**



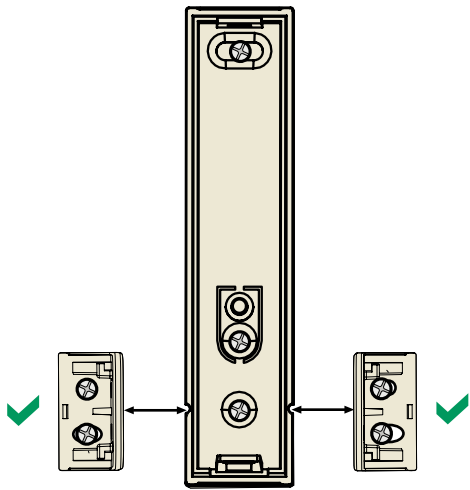
**3**

**4**

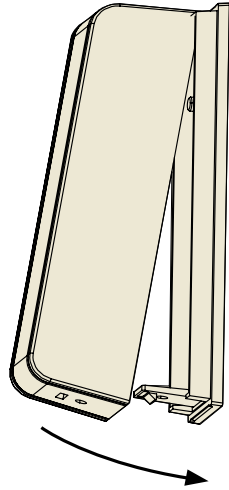


P/N: F.01U.261.834 - B810  
P/N: F.01U.261.835 - RFRC-OPT  
P/N: F.01U.304.662 - Transmitter

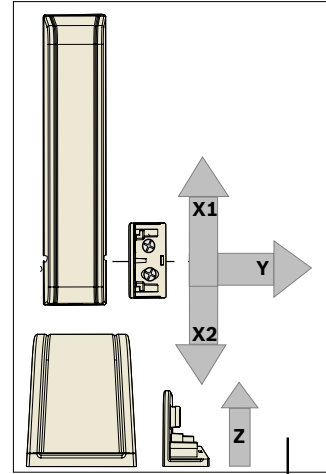
6



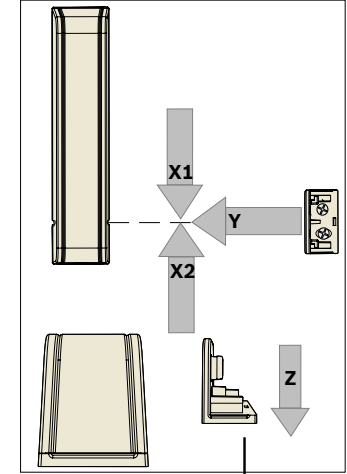
7



8

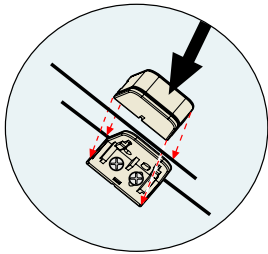


	Y	$20.0 \pm 4.0 \text{ mm}$ ( $0.79 \pm 0.16 \text{ in}$ )
	X1	$13.0 \pm 3.0 \text{ mm}$ ( $0.51 \pm 0.12 \text{ in}$ )
	X2	$15.5 \pm 4.5 \text{ mm}$ ( $0.61 \pm 0.18 \text{ in}$ )
	Z	$23.0 \pm 5.0 \text{ mm}$ ( $0.91 \pm 0.13 \text{ in}$ )
	Y	$14.0 \pm 7.0 \text{ mm}$ ( $0.55 \pm 0.28 \text{ in}$ )
	X1	$13.0 \pm 5.0 \text{ mm}$ ( $0.51 \pm 0.13 \text{ in}$ )
	X2	$14.0 \pm 6.0 \text{ mm}$ ( $0.55 \pm 0.24 \text{ in}$ )
	Z	$21.5 \pm 1.5 \text{ mm}$ ( $0.85 \pm 0.06 \text{ in}$ )



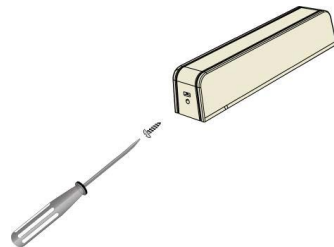
	Y	$19.0 \pm 4.0 \text{ mm}$ ( $0.75 \pm 0.16 \text{ in}$ )
	X1	$12.0 \pm 3.0 \text{ mm}$ ( $0.47 \pm 0.12 \text{ in}$ )
	X2	$14.5 \pm 4.5 \text{ mm}$ ( $0.57 \pm 0.18 \text{ in}$ )
	Z	$22.0 \pm 5.0 \text{ mm}$ ( $0.87 \pm 0.13 \text{ in}$ )
	Y	$13.0 \pm 7.0 \text{ mm}$ ( $0.51 \pm 0.28 \text{ in}$ )
	X1	$12.0 \pm 5.0 \text{ mm}$ ( $0.47 \pm 0.13 \text{ in}$ )
	X2	$13.0 \pm 6.0 \text{ mm}$ ( $0.51 \pm 0.24 \text{ in}$ )
	Z	$20.5 \pm 1.5 \text{ mm}$ ( $0.81 \pm 0.06 \text{ in}$ )

9

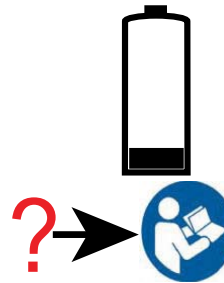


P/N: F.01U.261.834 - BB10  
P/N: F.01U.261.835 - RFRC-OPT  
P/N: F.01U.304.662 - Transmitter

10



11



P/N: F.01U.261.834 - BB10  
P/N: F.01U.261.835 - RFRC-OPT  
P/N: F.01U.304.662 - Transmitter

#### Copyright

This document is the intellectual property of Bosch Security Systems, Inc. and is protected by copyright. All rights reserved.

#### Trademarks

All hardware and software product names used in this document are likely to be registered trademarks and must be treated accordingly.

#### Determine Bosch Security Systems, Inc.

##### Product Manufacturing Dates

Use the serial number located on the product label and refer to the Bosch Security Systems, Inc web site at:

<http://www.boschsecurity.com/datecodes/>.



## Free Manuals Download Website

<http://myh66.com>

<http://usermanuals.us>

<http://www.somanuals.com>

<http://www.4manuals.cc>

<http://www.manual-lib.com>

<http://www.404manual.com>

<http://www.luxmanual.com>

<http://aubethermostatmanual.com>

Golf course search by state

<http://golfingnear.com>

Email search by domain

<http://emailbydomain.com>

Auto manuals search

<http://auto.somanuals.com>

TV manuals search

<http://tv.somanuals.com>