



FACSIMILE EQUIPMENT

PARTS REFERENCE LIST

MODEL: MFC7220 / 7225N

FAX2820 / 2910 / 2920

(For U.S.A / Canada / Brazil)

© Copyright Brother 2005

All rights reserved

No part of this publication may be reproduced in any form or by any means without permission in writing from the publisher.

Specifications are subject to change without prior notice.

NOTES FOR USING THIS PARTS REFERENCE LIST

1. In the case of ordering parts, it needs mentioning the following items:

- (1) Code
- (2) Q' ty
- (3) Description
- (4) Recommend (The \checkmark mark is attached to recommend parts at this column.)
- (5) Symbol (PCB No., Revision, and Parts location mounted on the PCB.)

Note: Orders without Parts Code or Tool No. cannot be accepted.

[Example]

	(1)	(2)	(3)	(4)	(5)	
REF.NO.	CODE	Q' TY	DESCRIPTION	RECOMMEND	SYMBOL	REMARKS

2. Design-changed parts:

When the parts are changed, any one of the following symbols is mentioned in the REMARKS column.

CHG (chg): The part is changed to a new part.

ADD (add): The part is newly added.

DEL (del): The part is deleted.

Symbol in capital letters indicates that the change is the latest one in the page.

3. Parts change will be informed by the technical information.

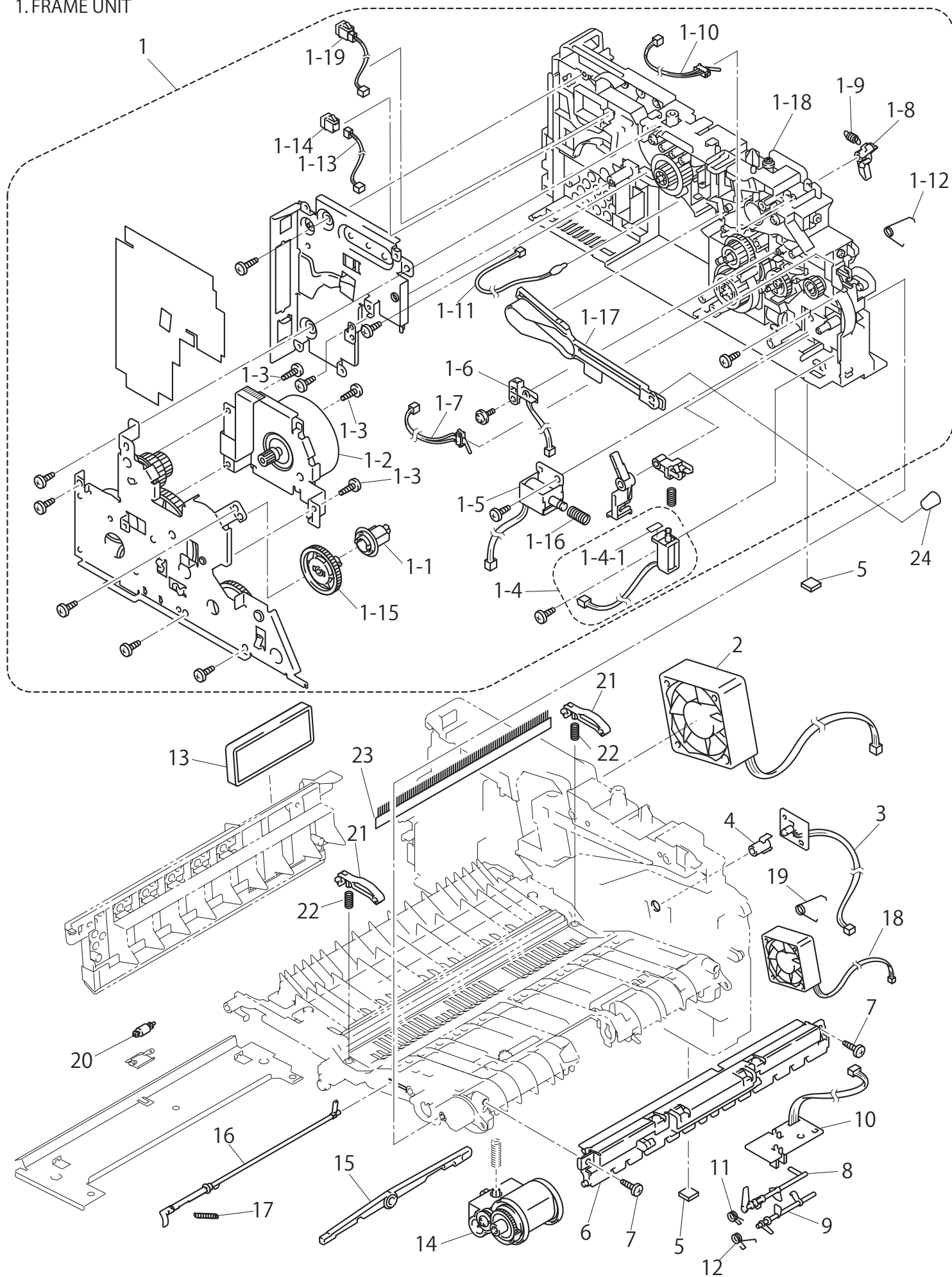
COUNTRIES

U.S.A. ---- US

CANADA ---- CAN

BRAZIL ---- BRA

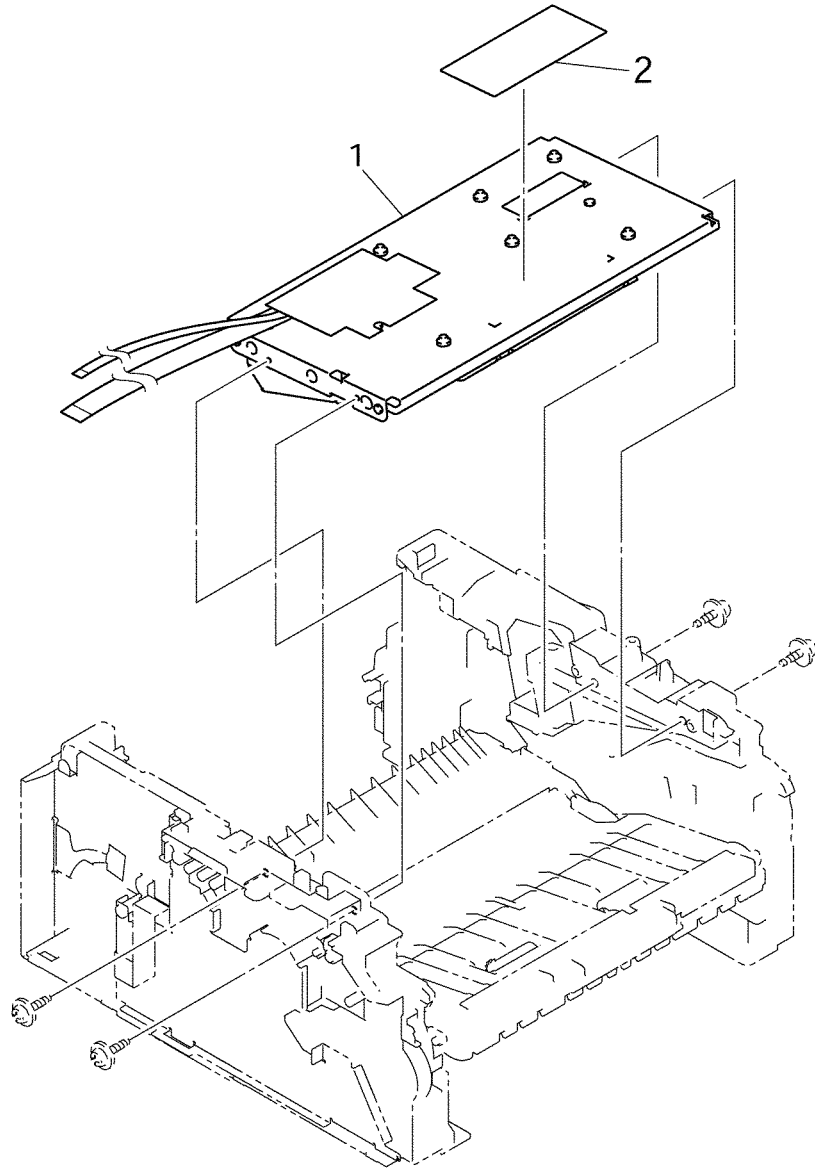
1. FRAME UNIT



LIST1(FRAME UNIT)

REF No.	CODE	Q'TY	DESCRIPTION	RECOMMEND	REMARKS
1	LS3987001	1	MAIN FRAME L ASSY, FAX2820		CHG
1	LS3988001	1	MAIN FRAME L ASSY, FAX2910/FAX2920		CHG
1	LS3991001	1	MAIN FRAME L ASSY-S, FAX2820		CHG
1	LS3992001	1	MAIN FRAME L ASSY-S, FAX2910/FAX2920		CHG
1	LS3991001	1	MAIN FRAME L ASSY-SV, FAX2910/FAX2920		CHG
1	LS3986001	1	MAIN FRAME L ASSY, MFC7220		CHG
1	LS3990001	1	MAIN FRAME L ASSY-S, MFC7220		CHG
1	LS3985001	1	MAIN FRAME L ASSY, MFC7225N		CHG
1	LS3989001	1	MAIN FRAME L ASSY-S, MFC7225N		CHG
1	LS3998001	1	MAIN FRAME L ASSY-SV, MFC7225N		CHG
1-1	LM4227001	1	DEVELOP JOINT		
1-2	LM4341001	1	MAIN MOTOR ASSY		
1-3	087320616	3	TAPTITE CUP S M3X6		
1-4	LM4238001	1	P/R SOLENOID ASSY		chg
1-4-1	LU7353001	1	SOL DAMPER SHEET		add
1-5	LM4234001	1	F/R SOLENOID ASSY		chg
1-6	LJ9740001	1	TONER SENSOR PCB ASSY		
1-7	LG5845001	1	COVER SENSOR ASSY		
1-8	LM4260001	1	NEW TONER ACTUATOR		
1-9	LM4261001	1	NEW TONER ACTUATOR SPRING		
1-10	LG5832001	1	NEW TONER SENSOR ASSY		
1-11	LG5834001	1	THERMISTOR ASSY		
1-12	LM6480001	1	PINCH SPRING L		chg
1-13	LJ9744001	1	THERMISTOR RELAY HARNESS		add
1-13	LM9014004	4	THERMISTOR RELAY HARNESS-S		del
1-14	LJ9745001	1	THERMISTOR HARNESS JOINT		add
1-14	LM9013004	4	THERMISTOR HARNESS JOINT-S		del
1-15	LM4225001	1	DEVELOP DRIVE GEAR		add
1-16	LM4633001	1	SOLENOID RELEASE SPRING ALL		add
1-17	LM4249001	1	DRIVE RELEASE CAM		add
1-18	LM4733001	1	MAIN FRAME L SUB ASSY (WITHOUT GEARS)		add
1-19	LT0974001	1	THERMISTOR HARNESS UNIT		add
2	LF6856001	1	FAN MOTOR 60 UNIT		
3	LJ9747001	1	TONER LED PCB ASSY		
4	LM4267001	1	LED HOLDER		
5	LJ7403001	2	RUBBER FOOT		
6	LM4275001	1	SUB CHUTE ASSY		
7	085411216	2	TAPTITE BIND B M4X12		
8	LM4282001	1	REGIST FRONT ACTUATOR		
9	LM4283001	1	TAIL EDGE ACTUATOR		
10	LJ9751001	1	REGIST SENSOR PCB ASSY		
11	LM4285001	1	REGIST FRONT SPRING		
12	LM4287001	1	TAIL EDGE SPRING		
13	LU0922001	1	FILTER 2 ASSY		chg
14	LM4300001	1	PICKUP ROLLER HOLDER ASSY		
15	LM6482001	1	LINK LEVER		chg
16	LM4284001	1	REGIST REAR ACTUATOR		
17	LM4286001	1	REGIST REAR SPRING		
18	LF9087001	1	FAN 40 SPONGE ASSY		
19	LM6481001	1	PINCH SPRING R		chg
20	LJ7432001	1	CLEANER PINCH ROLLER ASSY L		add
21	LM4357001	2	TRANSFER ARM		add
22	LM4358001	2	TRANSFER ARM SPRING		add
23	LM4595001	1	ANTI-STATIC BRUSH ALL JPS		add
24	LU1323001	1	RUBBER SPACER ALL		ADD

2. LASER UNIT



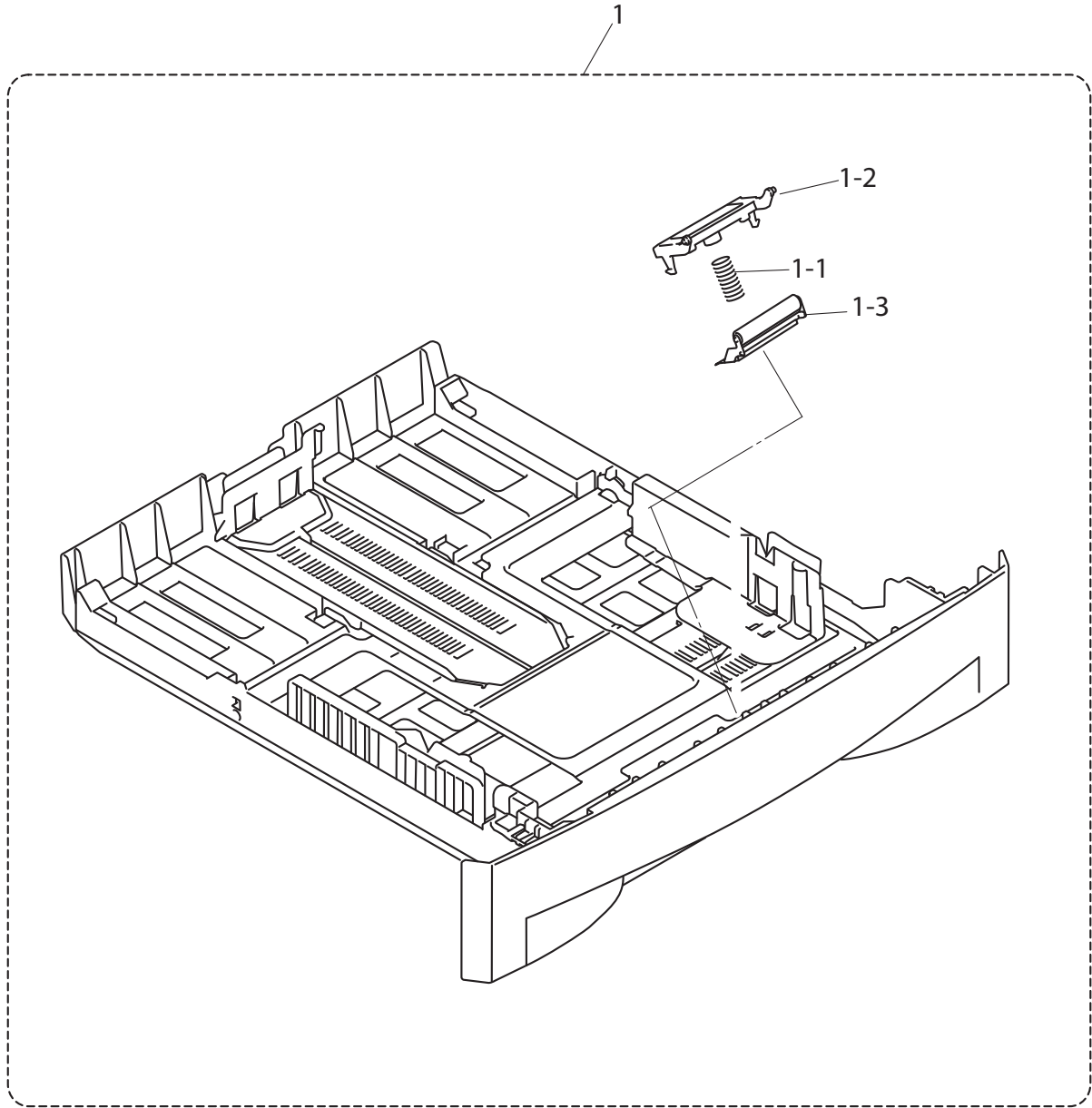
LIST2(LASER UNIT)

REF No.	CODE	Q'TY	DESCRIPTION	RECOMMEND	REMARKS
1	LM4578001	1	LASER UNIT(SP)	√	
2	LJ0908001	1	LASER CAUTION LABEL		

8X5A01, 8X5A05, 8X5A07,
8X5A13, 8X5A17

FAX2820, FAX2910, FAX2920,
MFC7220, MFC7225N

3. PAPER TRAY

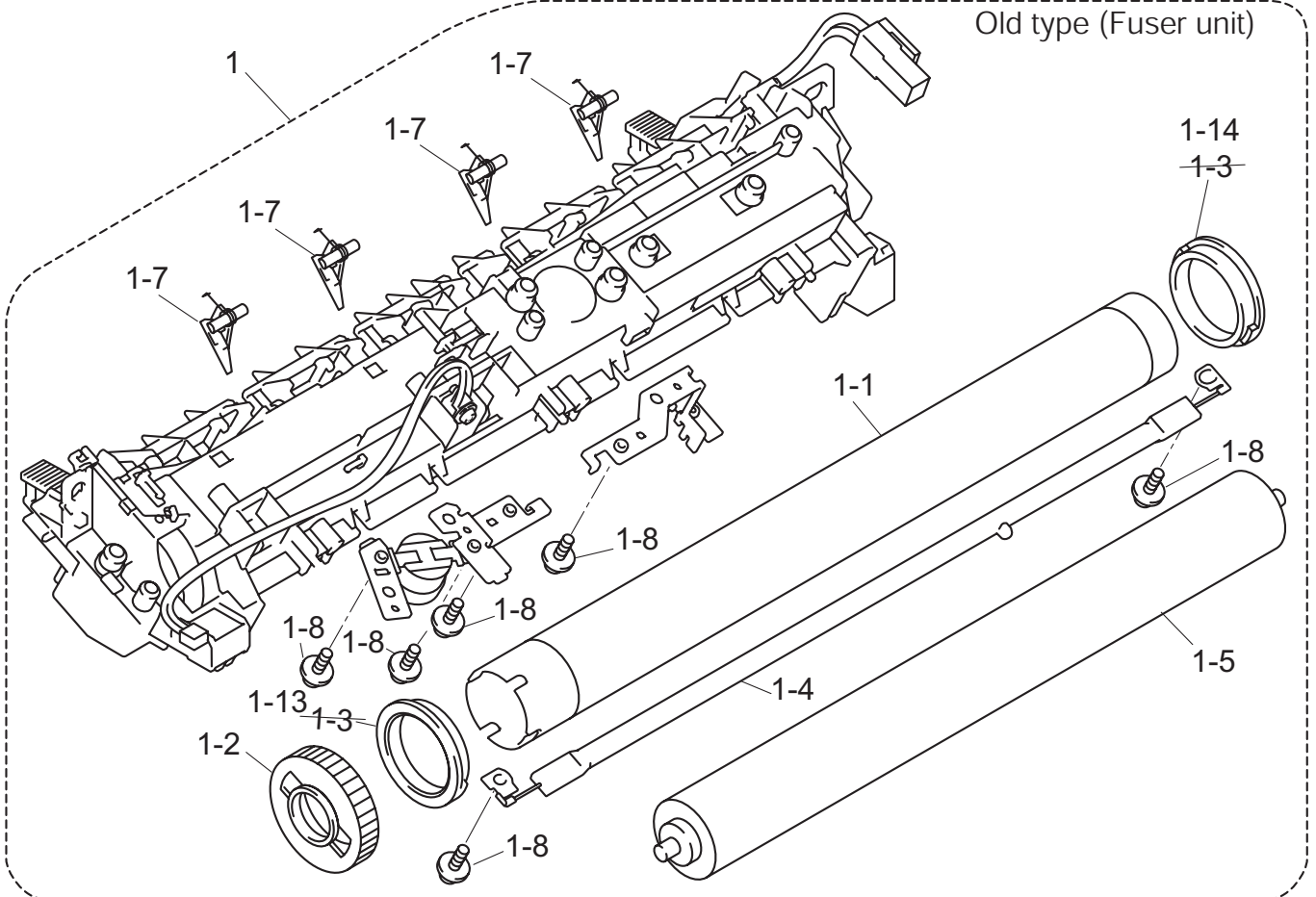


LIST3(PAPER TRAY)

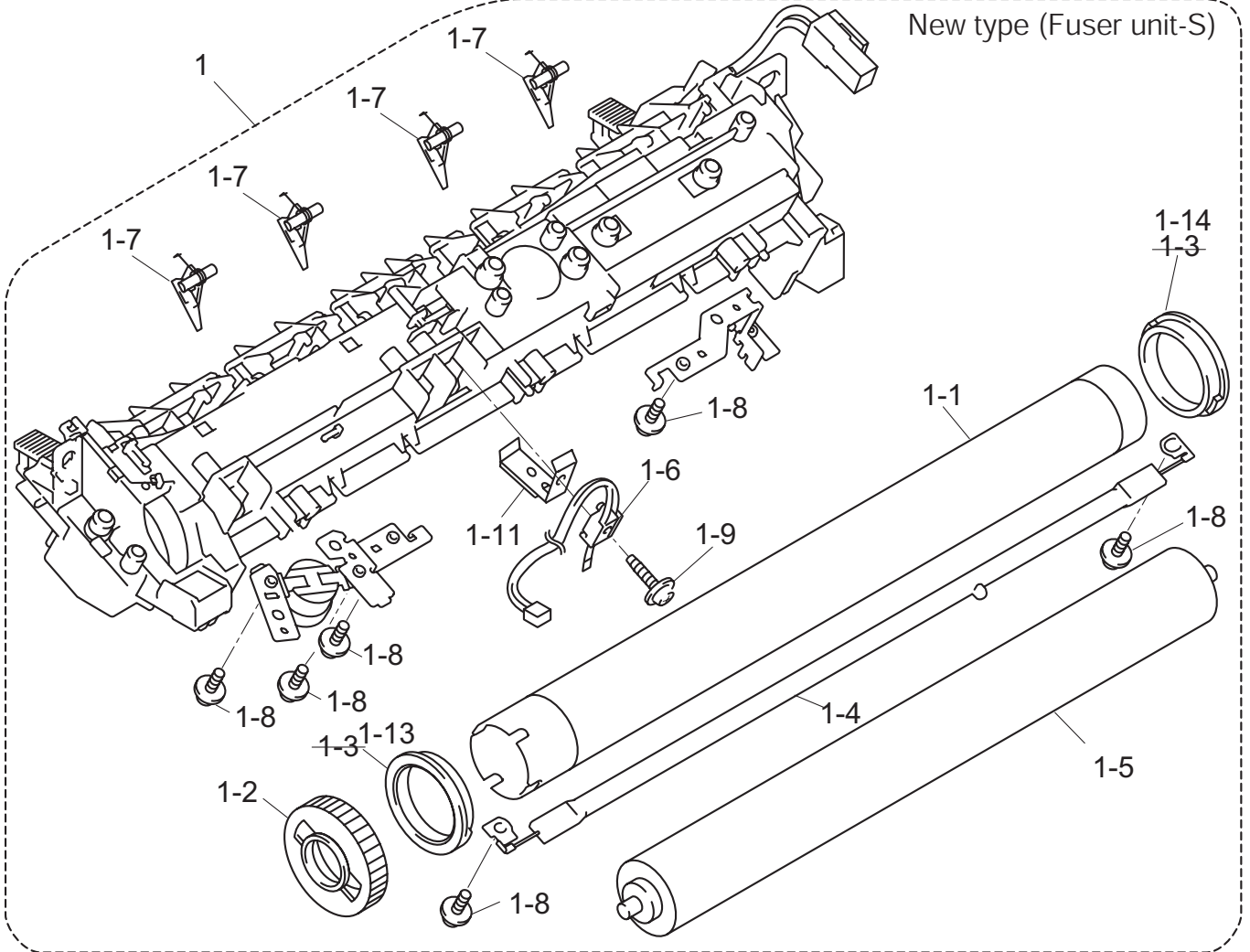
REF No.	CODE	Q'TY	DESCRIPTION	RECOMMEND	REMARKS
1	LM6331003	1	PAPER TRAY ASSY, GRAY(1737), FAX2820/FAX2910/FAX2920		chg
1	LM6331001	1	PAPER TRAY ASSY, GRAY(1581), MFC7220/MFC7225N		chg
1-1	LM4146001	1	SEPARATION PAD SPRING		
1-2	LM4143001	1	SEPARATION PAD HOLDER ASSY		
1-3	LM4615001	1	PAPER ROLLER SPRING PLATE ASSY		ADD

4. FIXING UNIT

Old type (Fuser unit)



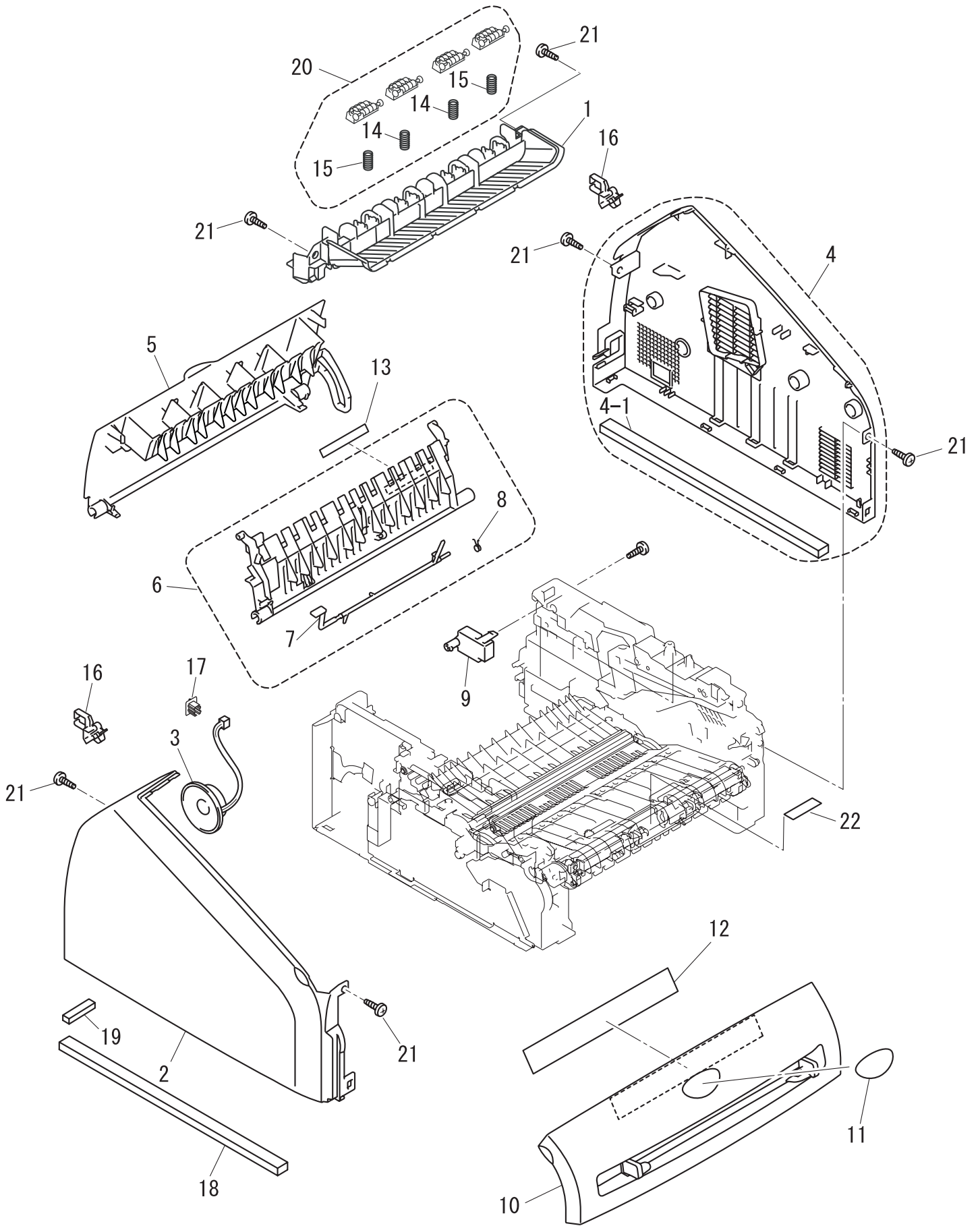
New type (Fuser unit-S)



LIST4(FIXING UNIT)

REF No.	CODE	Q'TY	DESCRIPTION	RECOMMEND	REMARKS
1	LM6721001	1	FUSER UNIT 115V I-10/5 (SP)	√	CHG
1	LM6722001	1	FUSER UNIT 115V S-10/5 (SP)	√	CHG
1-1	LM4009001	1	HEAT ROLLER		
1-2	LM4010001	1	HR GEAR		
1-3	LM4011004	2	HR BUSH		DEL
1-4	LM4012001	1	HALOGEN HEATER 115V		
1-5	LM4013001	1	PRESSURE ROLLER		
1-6	LM4865001	1	THERMISTOR ASSY-S		chg
1-7	LM4994001	4	SEPARATE CLAW ASSY 10/1		chg
1-8	LM3855001	6	SCREW, PAN (S/P WASHER) M3X8		
1-9	087311216	1	TAPTITE CUP B M3X12		
1-10	LM4997004	4	SEPARATE CLAW ASSY 10/2		del
1-11	LM6305001	1	THERMISTOR CLEANER ASSY2		chg
1-12	087310846	4	TAPTITE CUP B M3X8		del
1-13	LM6735001	1	HR BUSH L		ADD
1-14	LM6736001	1	HR BUSH R		ADD

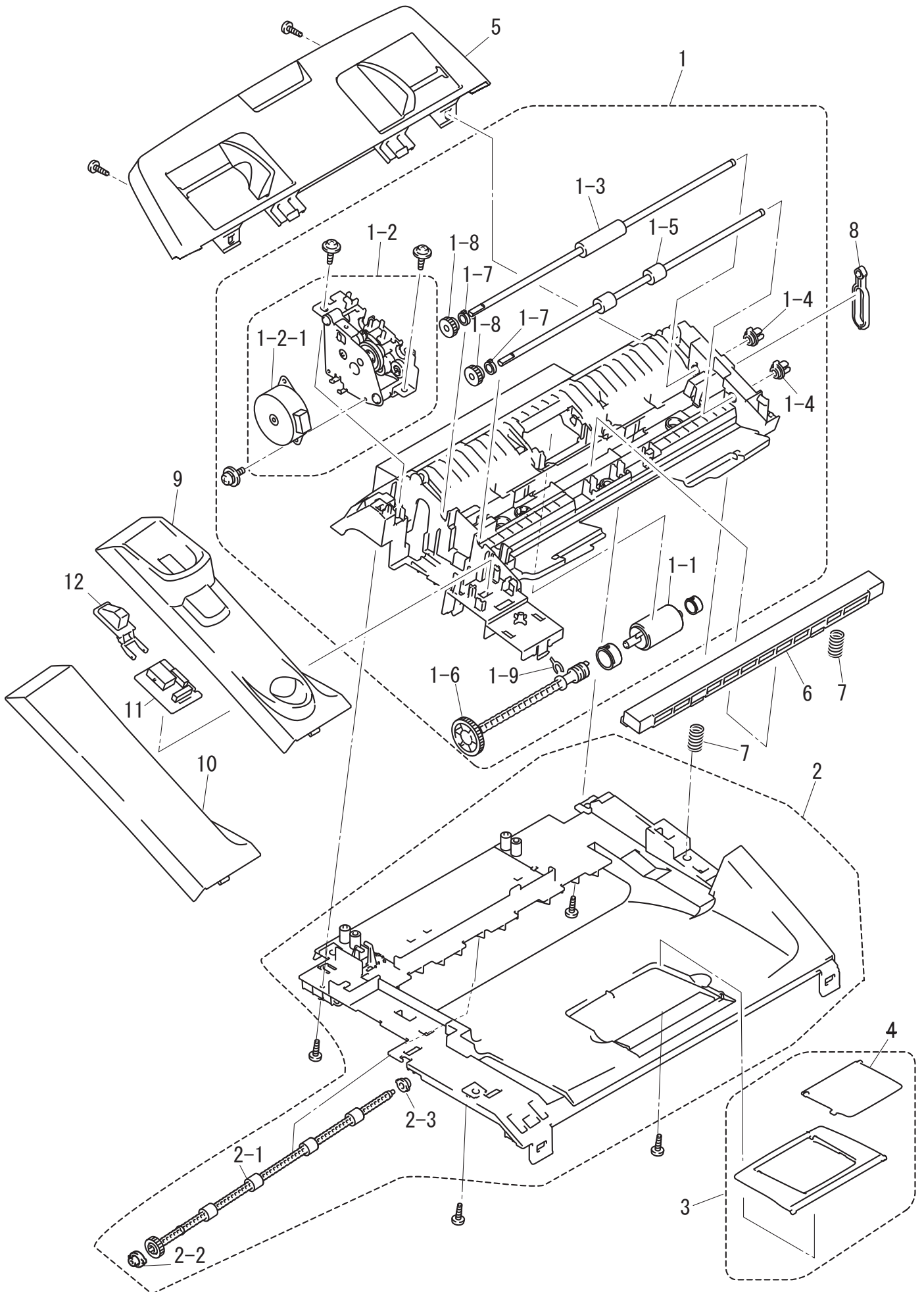
5. COVERS



LIST5(COVERS)

REF No.	CODE	Q'TY	DESCRIPTION	RECOMMEND	REMARKS
1	LM4113001	1	INNER CHUTE, GRAY(1581)		
2	LF6434001	1	SIDE COVER L, GRAY(1736)		
3	LG6047001	1	SPEAKER ASSY		
4	LF9089001	1	SIDE COVER R ASSY, GRAY(1736)		
4-1	LM4625001	1	COVER SPONGE		add
5	LM6229001	1	REAR COVER, GRAY(1736)		chg
6	LM6321001	1	REAR CHUTE COVER ASSY		CHG
7	LM6320001	1	PAPER EJECT ACTUATOR3		chg
8	LM6309001	1	EJECT ACTUATOR SPRING3		chg
9	LM4568001	1	REAR COVER STOPPER		
10	LM4124003	1	FRONT COVER ASSY, GRAY(1737), FAX2820/FAX2910/FAX2920		
10	LM4124001	1	FRONT COVER ASSY, GRAY(1581), MFC7220/MFC7225N		
11	LM4162001	1	BROTHER EMBLEM		
12	LM7049001	1	PROCESS U OP LABEL 2		chg
13	LM7050001	1	HEATER CAUTION LABEL 2		chg
14	----		N/A		chg
15	----		N/A		chg
16	LF6745001	2	CORD HOOK		add
17	----		NOT USED		
18	LM4625001	1	COVER SPONGE		add
19	LM4626001	1	COVER SPONGE		add
20	LM6598001	1	PINCH ROLLER SP ASSY 3		chg
21	085411216	6	TAPTITE BIND B M4X12		add
22	LU0233001	1	CAUTION LABEL S 13X40		add

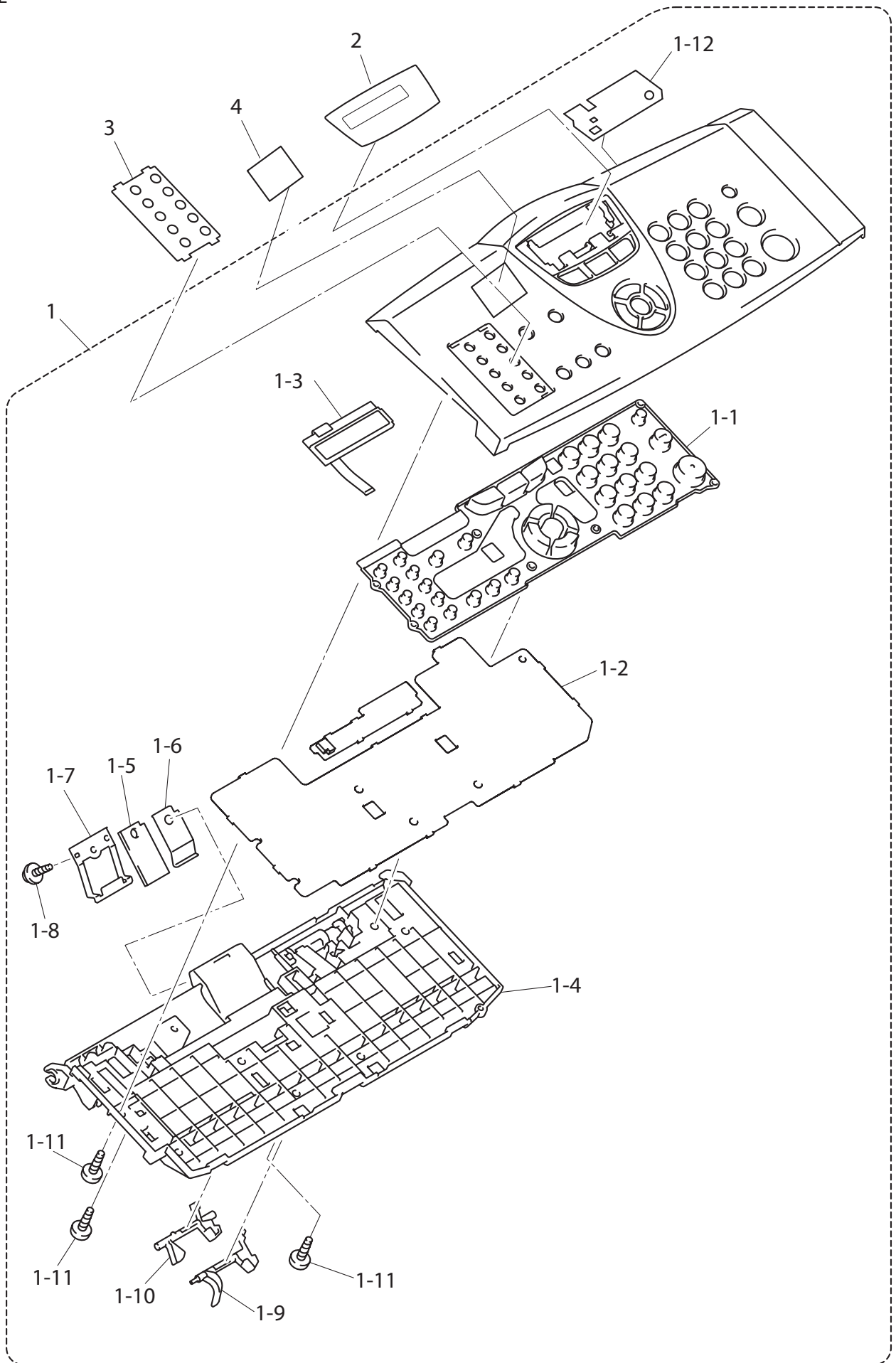
6. TOP COVER



LIST6(TOP COVER)

REF No.	CODE	Q'TY	DESCRIPTION	RECOMMEND	SYMBOL	REMARKS
1	LS0292002	1	DOCUMENT CHUTE ASSY, GRAY(1737), FAX2820/FAX2910/FAX2920			chg
1	LS0292001	1	DOCUMENT CHUTE ASSY, GRAY(1581), MFC7220/MFC7225N			chg
1-1	UF5511001	1	SEPARATION ROLLER			
1-2	LF6442001	1	SCANNING DRIVE ASSY			
1-2-1	Z27130001	1	SCANNING MOTOR			
1-3	LF6449001	1	LF ROLLER			
1-4	LF6451001	2	BUSHING5			chg
1-5	LF6452001	1	EJECTION ROLLER ASSY			
1-6	LF6441001	1	SEPARATION ROLLER GEAR			chg
1-7	LF9115001	2	LF ROLLER COLLAR			add
1-8	LF6455001	2	LF ROLLER GEAR			add
1-9	LP2341001	1	PLASTIC RETAINING RING E7			add
2	LF9422002	1	INNER CHUTE COVER ASSY, GRAY(1737), FAX2820/FAX2910/FAX2920			chg
2	LF9422001	1	INNER CHUTE COVER ASSY, GRAY(1581), MFC7220/MFC7225N			chg
2-1	LM4105001	1	EJECT ROLLER ASSY			
2-2	LM4108001	1	BUSH L			add
2-3	LM4107001	1	BUSH R			add
3	LS3960002	1	PAPER STOPPER ASSY, GRAY(1737), FAX2820/FAX2910/FAX2920			chg
3	LS3960001	1	PAPER STOPPER ASSY, GRAY(1581), MFC7220/MFC7225N			chg
4	LF6463002	4	PAPER STOPPER S, GRAY(1737), FAX2820/FAX2910/FAX2920			del
4	LF6463001	4	PAPER STOPPER S, GRAY(1581), MFC7220/MFC7225N			del
5	LF6469001	1	DOCUMENT BASE ASSY, GRAY(1736)			
6	LG3157001	1	CIS	√		CHG
7	UU2028001	2	CIS SPRING			
8	LF6465001	1	LINK STOPPER			
9	LS0184002	1	HANDSET HOLDER PL, GRAY(1737), FAX2820/FAX2910/FAX2920			chg
9	LS0184001	1	HANDSET HOLDER PL, GRAY(1581), MFC7220/MFC7225N			chg
10	----		NOT USED			
11	LG6052001	1	HOOK PCB ASSY		B53K803	
12	LS0018008	1	ACTUATOR HOOK PL, GRAY(1495), FAX2820/FAX2910/FAX2920			chg
12	LS0018009	1	ACTUATOR HOOK PL, GRAY(1581), MFC7220/MFC7225N			chg

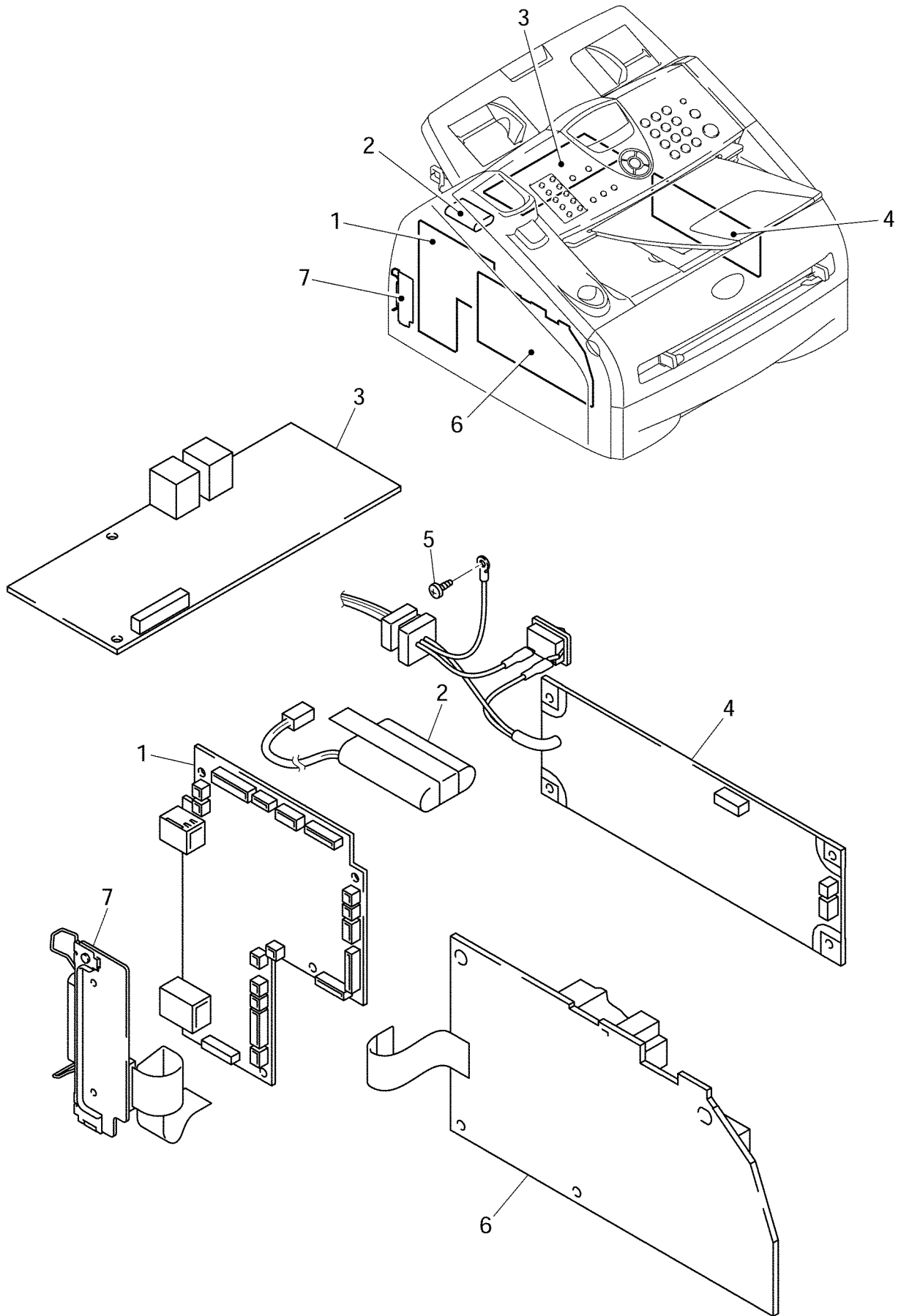
7. PANEL



LIST7(PANEL)

REF No.	CODE	Q'TY	DESCRIPTION	RECOMMEND	SYMBOL	REMARKS
1	LF6708001	1	PANEL UNIT, GRAY(1737), FAX2820 FOR US/CAN	√		
1	LS0051001	1	PANEL UNIT, GRAY(1737), FAX2910	√		
1	LF6711001	1	PANEL UNIT, GRAY(1737), FAX2920	√		
1	LF6514001	1	PANEL UNIT, GRAY(1581), MFC7220 FOR US/CAN	√		
1	LF6473001	1	PANEL UNIT, GRAY(1581), MFC7225N	√		
1	LF6872001	1	PANEL UNIT, GRAY(1737), FAX2820 FOR BRA	√		
1	LF6998001	1	PANEL UNIT, GRAY(1581), MFC7220 FOR BRA	√		
1-1	LF6669001	1	RUBBER KEY, PRINTED, FAX2820/FAX2910/FAX2920			
1-1	LF6476001	1	RUBBER KEY, PRINTED, MFC7220/MFC7225N			
1-2	LG6091002	1	PANEL PCB ASSY, FAX2820/FAX2910/FAX2920		B53K805	
1-2	LG6091001	1	PANEL PCB ASSY, MFC7220		B53K805	
1-2	LG6057001	1	PANEL PCB ASSY, MFC7225N		B53K805	
1-3	LG5355001	1	LCD, FAX2820/FAX2910/MFC7220			
1-3	LG6059001	1	LCD, FAX2920/MFC7225N			
1-4	LF6479001	1	PANEL REAR COVER			
1-5	LF9097001	1	SEPARATION RUBBER			
1-6	LF6485001	1	ADF PLATE SPRING			
1-7	LF6486001	1	FRONT PLATE SPRING			
1-8	UF5034001	1	TAPTITE, B 3X6			
1-9	LF6488001	1	ACTUATOR R			chg
1-10	LF6487001	1	ACTUATOR F			chg
1-11	087310815	3	TAPTITE, CUP B M3X8			
1-12	LP2219001	1	SHADE FILM			add
2	LF6696001	1	LCD SHEET, FAX2820			
2	LS0052001	1	LCD SHEET, FAX2910			
2	LF6697001	1	LCD SHEET, FAX2920			
2	LF6516001	1	LCD SHEET, MFC7220			
2	LF6490001	1	LCD SHEET, MFC7225N			
3	LF6662001	1	ADDRESS LABEL, FAX2820/FAX2910/FAX2920			
3	LF6704001	1	ADDRESS LABEL, MFC7220/MFC7225N			
4	LU0234001	1	CAUTION LABEL S 30X30			ADD

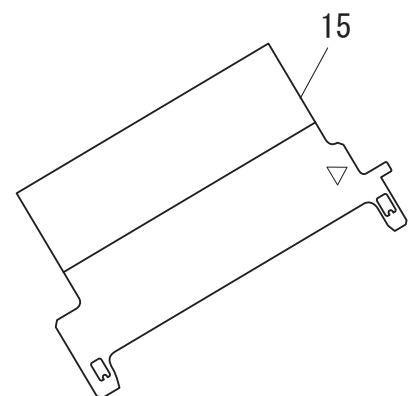
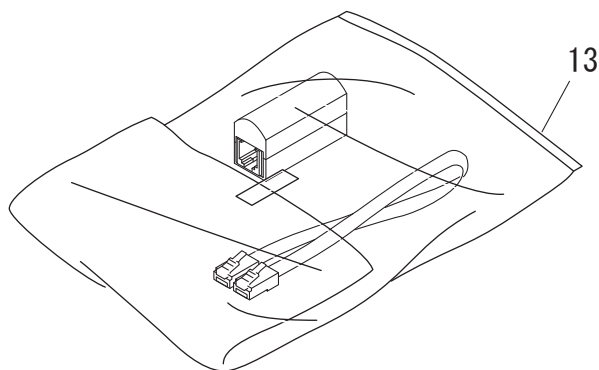
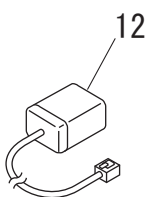
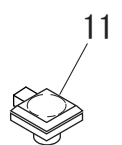
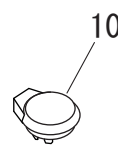
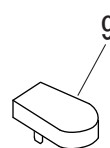
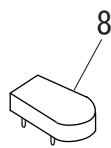
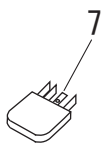
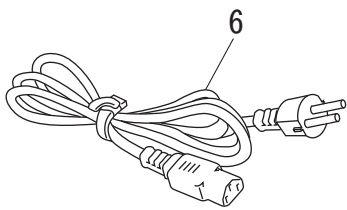
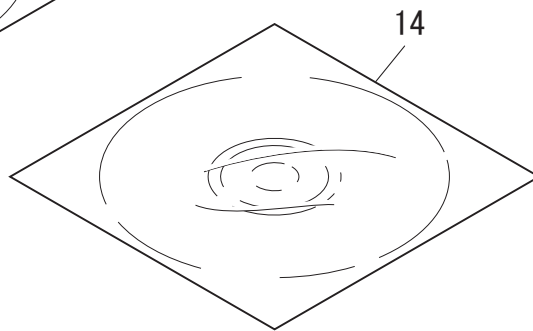
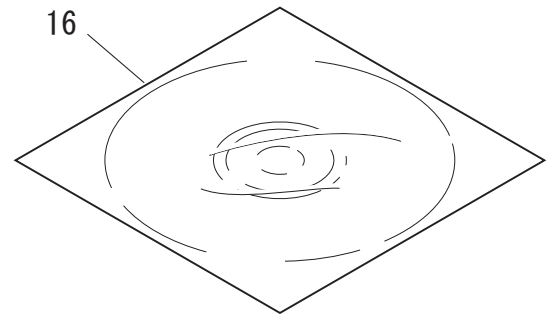
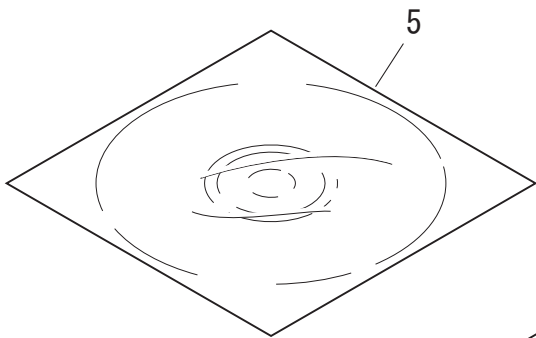
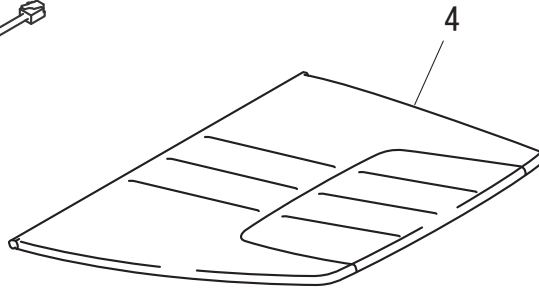
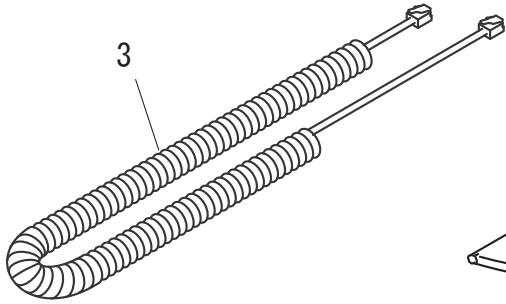
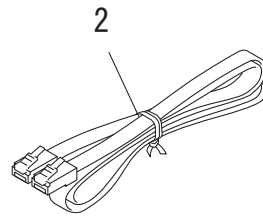
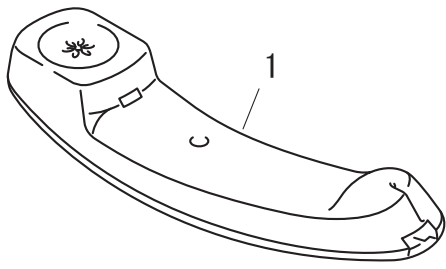
8. PCB



LIST8(PCB)

REF No.	CODE	Q'TY	DESCRIPTION	RECOMMEND	SYMBOL	REMARKS
1	LG6141001	1	MAIN PCB ASSY, FAX2820 FOR US/CAN		B53K795	
1	LG6434001	1	MAIN PCB ASSY-S, FAX2820 FOR US/CAN		B53K795	add
1	LG6617001	1	MAIN PCB ASSY-SV, FAX2820 FOR US/CAN		B53K832	add
1	LG6140001	1	MAIN PCB ASSY, FAX2920		B53K802	
1	LG6436001	1	MAIN PCB ASSY-S, FAX2920		B53K802	add
1	LG6815001	1	MAIN PCB ASSY-SV, FAX2910/FAX2920		B53K833	add
1	LG6086001	1	MAIN PCB ASSY, MFC7220 FOR US/CAN		B53K795	
1	LG6433001	1	MAIN PCB ASSY-S, MFC7220 FOR US/CAN		B53K795	add
1	LG6618001	1	MAIN PCB ASSY-SV, MFC7220 FOR US/CAN		B53K832	add
1	LG6065001	1	MAIN PCB ASSY, MFC7225N		B53K802	
1	LG6435001	1	MAIN PCB ASSY-S, MFC7225N		B53K802	add
1	LG6816001	1	MAIN PCB ASSY-SV, MFC7225N		B53K833	add
4	LG6086002	4	MAIN PCB ASSY, MFC7220 FOR CAN		B53K795	del
1	LG6141003	1	MAIN PCB ASSY, FAX2820 FOR BRA		B53K795	
1	LG6434003	1	MAIN PCB ASSY-S, FAX2820 FOR BRA		B53K795	add
1	LG6617003	1	MAIN PCB ASSY-SV, FAX2820 FOR BRA		B53K832	add
1	LG6086003	1	MAIN PCB ASSY, MFC7220 FOR BRA		B53K795	
1	LG6433003	1	MAIN PCB ASSY-S, MFC7220 FOR BRA		B53K795	add
1	LG6618003	1	MAIN PCB ASSY-SV, MFC7220 FOR BRA		B53K832	add
2	LG6167001	1	BATTERY ASSY, FAX2910/FAX2920/MFC7225N	√		
3	LT0868001	1	NCU PCB ASSY, FAX2820/MFC7220 FOR US		B57T013	chg
3	LT0868011	1	NCU PCB ASSY, FAX2910/FAX2920/MFC7225N		B57T013	chg
3	LT0868002	1	NCU PCB ASSY FOR CAN		B57T013	chg
3	LG6233003	1	NCU PCB ASSY FAX2820/MFC7220 FOR BRA		B53K786	chg
4	LG6271001	1	PS PCB UNIT, 115V FOR US/CAN			
4	LT1011001	1	PS PCB UNIT, 115V FOR BRA			chg
5	LM2048001	1	SCREW, PAN (S/P WASHER) M3.5X6			
6	LV0439001	1	HIGH-VOLTAGE PS PCB ASSY FOR US/CAN			add
6	LJ9708004	4	HIGH-VOLTAGE PS PCB ASSY FOR BRA			DEL
7	LG6068001	1	CDCC PCB ASSY, MFC7220/MFC7225N		B53K801	

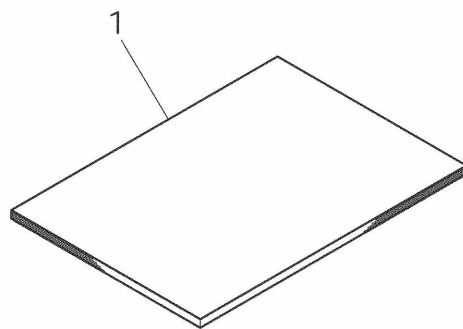
9. ACCESSORIES



LIST9(ACCESSORIES)

REF No.	CODE	Q'TY	DESCRIPTION	RECOMMEND	REMARKS
1	LE5803016	1	HANDSET ASSY, GRAY(1737), FAX2820/FAX2910/FAX2920 FOR US/CAN		
1	LE5803003	1	HANDSET ASSY, GRAY(1581), MFC7220/MFC7225N FOR US/CAN		
1	LF1518016	1	HANDSET ASSY, GRAY(1737), FAX2820 FOR BRA		
1	LF1518003	1	HANDSET ASSY, GRAY(1581), MFC7220 FOR BRA		
2	LG3077001	1	TELEPHONE LINE CORD		
3	LG6156001	1	HANDSET CURLED CORD ASSY, GRAY(1495), FAX2820/FAX2910/FAX2920		
3	LG6156003	1	HANDSET CURLED CORD ASSY, GRAY(1581), MFC7220/MFC7225N		
4	LF6496002	1	PAPER EJECT TRAY ASSY, GRAY(1737), FAX2820/FAX2910/FAX2920		
4	LF6496001	1	PAPER EJECT TRAY ASSY, GRAY(1581), MFC7220/MFC7225N		
5	LS0306001	1	CD-ROM ASSY, MFC7220/MFC7225N FOR US/CAN <Windows>		chg
5	LF6786004	4	CD-ROM ASSY, MFC7220/MFC7225N FOR US/CAN <Macintosh>		del
5	LS0308001	1	CD-ROM ASSY, MFC7220 FOR BRA <Windows>		chg
5	LF9093004	4	CD-ROM ASSY, MFC7220 FOR BRA <Macintosh>		del
5	LS0307001	1	CD-ROM ASSY, MFC7220/MFC7225N FOR US/CAN/BRA <Macintosh>		chg
6			NOT USED		
7			NOT USED		
8			NOT USED		
9			NOT USED		
10			NOT USED		
11			NOT USED		
12			NOT USED		
13	LG6592001	1	FILTER ASSY, FAX2820/MFC7220 FOR BRA		add
14	LS0492001	1	CD-ROM ASSY VISTA, MFC7220/7225N FOR US/CAN		chg
14	LS0278001	1	CD-ROM ASSY VISTA, MFC7220 FOR BRA		chg
15	LU1185001	1	DRUM CLEANING SHEET KIT		add
16	LS3655001	1	CD-ROM ASSY(Windows7), MFC7220, 7225N FOR US		ADD

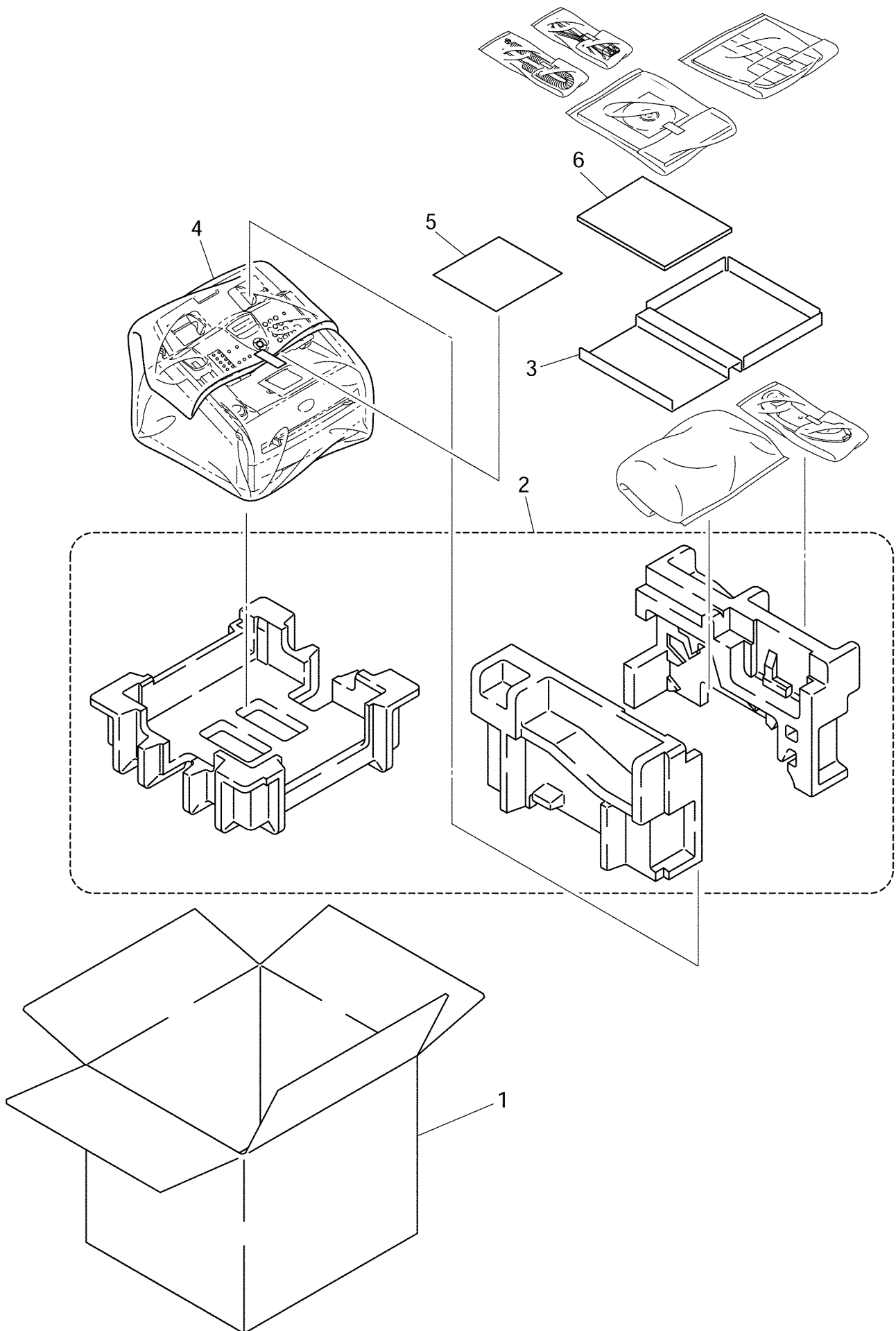
10. PRINTED MATERIALS



LIST10(PRINTED MATERIALS)

REF No.	CODE	Q'TY	DESCRIPTION	RECOMMEND	REMARKS
4	LF6772004	4	USER'S GUIDE FOR US/CAN <ENGLISH>		del
1	LS0087001	1	USER'S GUIDE, FOR US/CAN <ENGLISH>		CHG
1	LS0087002	1	USER'S GUIDE FOR CAN <FRENCH>		CHG
(2)	LF9447001	1	FRENCH STICKER, FAX2820 FOR CAN		add
(2)	LF9448001	1	FRENCH STICKER, MFC7220 FOR CAN		add

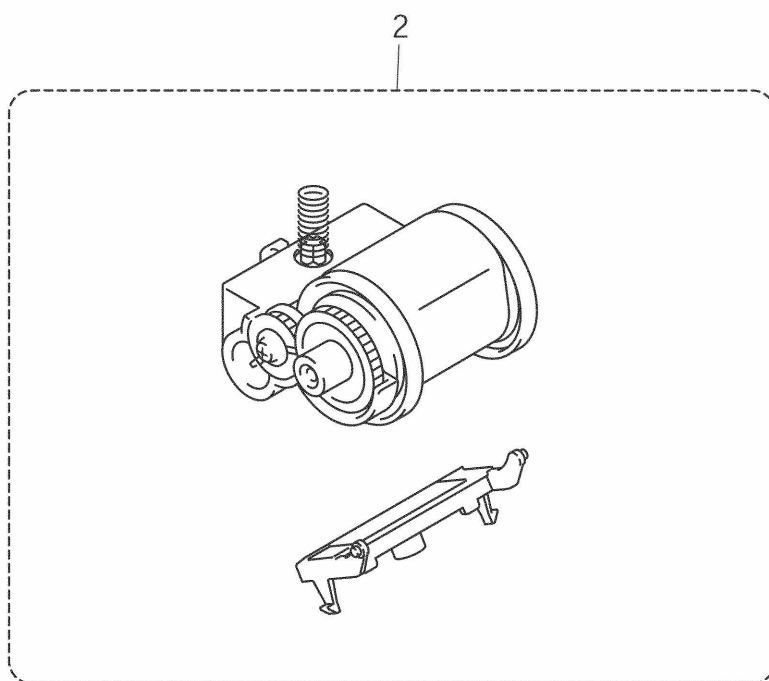
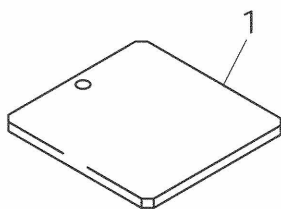
11. PACKING MATERIALS



LIST11(PACKING MATERIALS)

REF No.	CODE	Q'TY	DESCRIPTION	RECOMMEND	REMARKS
1	LF6774001	1	CARTON, BROTHER, FAX2820	√	
1	LS0088001	1	CARTON, BROTHER VN, FAX2820	√	
1	LS0056001	1	CARTON, BROTHER, FAX2910	√	
1	LS0259001	1	CARTON, BROTHER VN, FAX2910	√	
1	LF6779001	1	CARTON, BROTHER, FAX2920	√	
1	LS0107001	1	CARTON, BROTHER VN, FAX2920	√	
1	LF6788001	1	CARTON, BROTHER, MFC7220	√	
1	LS0091001	1	CARTON, BROTHER VN, MFC7220	√	
1	LF9004001	1	CARTON, BROTHER, MFC7225N	√	
1	LS0102001	1	CARTON, BROTHER VN, MFC7225N	√	
2	LF6500001	1	POLYSTYRENE PAD ASSY		
3	LF6748001	1	OPTION CARTON		
4	LC0540001	1	BAG, 700X800H		chg
5	UU0456001	1	PROTECTION PAPER		
6	LF6777001	4	QUICK SETUP GUIDE, FAX2820/FAX2920 FOR US/CAN <ENGLISH>		del
6	LS0096001	1	QUICK SETUP GUIDE, FAX2820/FAX2910/FAX2920 FOR US/CAN <ENGLISH>		CHG
6	LS0097001	1	QUICK SETUP GUIDE, MFC7220/MFC7225N FOR US/CAN <ENGLISH>		CHG
6	LS0096002	1	QUICK SETUP GUIDE, FAX2820 FOR CAN <FRENCH>		CHG
6	LS0097002	1	QUICK SETUP GUIDE, MFC7220 FOR CAN <FRENCH>		CHG

12. OTHERS



LIST12(OTHERS)

REF No.	CODE	Q'TY	DESCRIPTION	RECOMMEND	REMARKS
1	LM4726001	1	CHECK JIG		
2	LM6291001	1	PAPER FEEDING KIT		CHG

8X5A01, 8X5A05, 8X5A07,
8X5A13, 8X5A17

FAX2820, FAX2910, FAX2920,
MFC7220, MFC7225N

brother®

PL-FAX105
8X5A01
Ver. AÜ-1

Free Manuals Download Website

<http://myh66.com>

<http://usermanuals.us>

<http://www.somanuals.com>

<http://www.4manuals.cc>

<http://www.manual-lib.com>

<http://www.404manual.com>

<http://www.luxmanual.com>

<http://aubethermostatmanual.com>

Golf course search by state

<http://golfingnear.com>

Email search by domain

<http://emailbydomain.com>

Auto manuals search

<http://auto.somanuals.com>

TV manuals search

<http://tv.somanuals.com>