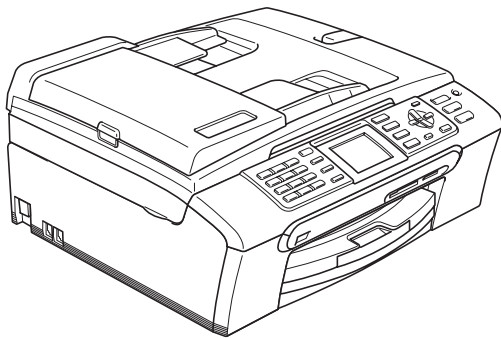


brother®

USER'S GUIDE

MFC-465CN



Version A

If you need to call Customer Service

Please complete the following information for future reference:

Model Number: MFC-465CN

Serial Number: ¹ _____

Date of Purchase: _____

Place of Purchase: _____

¹ The serial number is on the back of the unit. Retain this User's Guide with your sales receipt as a permanent record of your purchase, in the event of theft, fire or warranty service.

Register your product on-line at

<http://www.brother.com/registration/>

By registering your product with Brother, you will be recorded as the original owner of the product. Your registration with Brother:

- may serve as confirmation of the purchase date of your product should you lose your receipt;
- may support an insurance claim by you in the event of product loss covered by insurance; and,
- will help us notify you of enhancements to your product and special offers.

The most convenient and efficient way to register your new product is on-line at <http://www.brother.com/registration/>

Brother numbers

IMPORTANT

For technical help, you must call the country where you bought the machine. Calls must be made *from within* that country.

Register your product

By registering your product with Brother International Corporation, you will be recorded as the original owner of the product. Your registration with Brother:

- may serve as confirmation of the purchase date of your product should you lose your receipt;
- may support an insurance claim by you in the event of product loss covered by insurance; and,
- will help us notify you of enhancements to your product and special offers.

Please complete and fax the Brother Warranty Registration And Test Sheet or, for your convenience and most efficient way to register your new product, register on-line at

<http://www.brother.com/registration/>

FAQs (frequently asked questions)

The Brother Solutions Center is our one-stop resource for all your Fax Machine/Multi-Function Center needs. You can download the latest software documents and utilities, read FAQs and troubleshooting tips, and learn how to get the most from your Brother product.

<http://solutions.brother.com>



Note

- You can check here for Brother driver updates.
- To keep your machine performance up to date, check here for the latest firmware upgrade (for Windows® only).

For Customer Service

In USA:	1-800-284-4329 1-901-379-1215 (fax) 1-800-284-3238 (TTY service for the hearing-impaired)
In Canada:	1-877-BROTHER (514) 685-4898 (fax)

Service Center Locator (USA only)

For the location of a Brother authorized service center, call 1-800-284-4357.

Service Center Locations (Canada only)

For the location of a Brother authorized service center, call 1-877-BROTHER.

Ordering accessories and supplies

For best quality results use only genuine Brother accessories, which are available at most Brother retailers. If you cannot find the accessory you need and you have a Visa, MasterCard, Discover, or American Express credit card, you can order accessories directly from Brother.

(You can visit us online for a complete selection of the Brother accessories and supplies that are available for purchase.)

In USA: 1-877-552-MALL (6255)
1-800-947-1445 (fax)

<http://www.brothermall.com>

In Canada: 1-877-BROTHER

<http://www.brother.ca>

Description	Item
Ink Cartridge Standard <black>	LC51BK (Prints approx. 500 pages)
Ink Cartridge <cyan> (blue)	LC51C (Prints approx. 400 pages)
Ink Cartridge <magenta> (red)	LC51M (Prints approx. 400 pages)
Ink Cartridge <yellow>	LC51Y (Prints approx. 400 pages)
Premium Glossy Photo Paper (Letter size / 20 sheets)	BP61GLL
(4"x6" size / 20 sheets)	BP61GLP
Matte Inkjet Paper (Letter size / 25 sheets)	BP60ML (USA only)
Inkjet Plain Paper (Letter size / 250 sheets)	BP60PL (USA only)
Telephone Line Cord	LG3077001 (USA only)
User's Guide	LS2764001 (English for USA and Canada) LS2764002 (French for Canada)

Notice - Disclaimer of Warranties (USA and Canada)

BROTHER'S LICENSOR(S), AND THEIR DIRECTORS, OFFICERS, EMPLOYEES OR AGENTS (COLLECTIVELY BROTHER'S LICENSOR) MAKE NO WARRANTIES, EXPRESS OR IMPLIED, INCLUDING WITHOUT LIMITATION THE IMPLIED WARRANTIES OF MERCHANTABILITY AND FITNESS FOR A PARTICULAR PURPOSE, REGARDING THE SOFTWARE. BROTHER'S LICENSOR(S) DOES NOT WARRANT, GUARANTEE OR MAKE ANY REPRESENTATIONS REGARDING THE USE OR THE RESULTS OF THE USE OF THE SOFTWARE IN TERMS OF ITS CORRECTNESS, ACCURACY, RELIABILITY, CURRENTNESS OR OTHERWISE. THE ENTIRE RISK AS TO THE RESULTS AND PERFORMANCE OF THE SOFTWARE IS ASSUMED BY YOU. THE EXCLUSION OF IMPLIED WARRANTIES IS NOT PERMITTED BY SOME STATES IN THE USA AND SOME PROVINCES IN CANADA. THE ABOVE EXCLUSION MAY NOT APPLY TO YOU.

IN NO EVENT WILL BROTHER'S LICENSOR(S) BE LIABLE TO YOU FOR ANY CONSEQUENTIAL, INCIDENTAL OR INDIRECT DAMAGES (INCLUDING DAMAGES FOR LOSS OF BUSINESS PROFITS, BUSINESS INTERRUPTION, LOSS OF BUSINESS INFORMATION, AND THE LIKE) ARISING OUT OF THE USE OR INABILITY TO USE THE SOFTWARE EVEN IF BROTHER'S LICENSOR HAS BEEN ADVISED OF THE POSSIBILITY OF SUCH DAMAGES. BECAUSE SOME STATES IN THE USA AND SOME PROVINCES IN CANADA DO NOT ALLOW THE EXCLUSION OR LIMITATION OF LIABILITY FOR CONSEQUENTIAL OR INCIDENTAL DAMAGES, THE ABOVE LIMITATIONS MAY NOT APPLY TO YOU. IN ANY EVENT BROTHER'S LICENSOR'S LIABILITY TO YOU FOR ACTUAL DAMAGES FROM ANY CAUSE WHATSOEVER, AND REGARDLESS OF THE FORM OF THE ACTION (WHETHER IN CONTRACT, TORT (INCLUDING NEGLIGENCE), PRODUCT LIABILITY OR OTHERWISE), WILL BE LIMITED TO \$50.

Compilation and Publication Notice

Under the supervision of Brother Industries Ltd., this manual has been compiled and published, covering the latest product descriptions and specifications.

The contents of this manual and the specifications of this product are subject to change without notice.

Brother reserves the right to make changes without notice in the specifications and materials contained herein and shall not be responsible for any damages (including consequential) caused by reliance on the materials presented, including but not limited to typographical and other errors relating to the publication.

Brother® One Year Limited Warranty and Replacement Service (USA only)

Who is covered:

- This limited warranty (“warranty”) is given only to the original end-use/retail purchaser (referred to in this warranty as “Original Purchaser”) of the accompanying product, consumables and accessories (collectively referred to in this warranty as “this Product”).
- If you purchased a product from someone other than an authorized Brother reseller in the United States or if the product was used (including but not limited to floor models or refurbished product), prior to your purchase you are not the Original Purchaser and the product that you purchased is not covered by this warranty.

What is covered:

- This Product includes a Machine and Consumable and Accessory Items. Consumable and Accessory Items include but are not limited to print heads, toner, drums, ink cartridges, print cartridges, cordless handset battery, refill ribbons, therma PLUS paper and thermal paper.
- Except as otherwise provided herein, Brother warrants that the Machine and the accompanying Consumable and Accessory Items will be free from defects in materials and workmanship, when used under normal conditions.
- This warranty applies only to products purchased and used in the United States. For products purchased in, but used outside, the United States, this warranty covers only warranty service within the United States (and does not include shipping outside the United States).

What is the length of the Warranty Periods:

- Machines: one year from the original purchase date.
- Accompanying Consumable and Accessory Items: 90 days from the original purchase date or the rated life of consumable, whichever comes first.

What is NOT covered:

This warranty does not cover:

- 1 Physical damage to this Product;
- 2 Damage caused by improper installation, improper or abnormal use, misuse, neglect or accident (including but not limited to transporting this Product without the proper preparation and/or packaging);

- 3 Damage caused by another device or software used with this Product (including but not limited to damage resulting from use of non Brother®-brand parts and Consumable and Accessory Items);
- 4 Consumable and Accessory Items that expired in accordance with a rated life;
- 5 Problems arising from other than defects in materials or workmanship; and,
- 6 Normal Periodic Maintenance Items, such as Paper Feeding Kit, Fuser and Laser Units.

This limited warranty is VOID if this Product has been altered or modified in any way (including but not limited to attempted warranty repair without authorization from Brother and/or alteration/removal of the serial number).

What to do if you think your Product is eligible for warranty service:

Report your issue to either our Customer Service Hotline at 1-877-BROTHER (1-877-276-8437) or to a Brother Authorized Service Center within the applicable warranty period. Supply Brother or the Brother Authorized Service Center with a copy of your dated bill of sale showing that this Product was purchased within the U.S. For the name of local Brother Authorized Service Center(s), call 1-877-BROTHER (1-877-276-8437) or visit www.brother-usa.com.

What Brother will ask you to do:

After contacting Brother or a Brother Authorized Service Center, you may be required to deliver (by hand if you prefer) or send the Product properly packaged, freight prepaid, to the Authorized Service Center together with a photocopy of your bill of sale.

You are responsible for the cost of shipping, packing product, and insurance (if you desire). You are also responsible for loss or damage to this Product in shipping.

What Brother will do:

If the problem reported concerning your Machine and/or accompanying Consumable and Accessory Items is covered by this warranty and if you first reported the problem to Brother or an Authorized Service Center within the applicable warranty period, Brother or its Authorized Service Center will repair or replace the Machine and/or accompanying Consumable and Accessory Items at no charge to you for parts or labor. The decision as to whether to repair or replace the Machine and/or accompanying Consumable and Accessory Items is made by Brother in its sole

Brother® One Year Limited Warranty and Replacement Service (USA only)

discretion. Brother reserves the right to supply a refurbished or remanufactured replacement Machine and/or accompanying Consumable and Accessory Items and use refurbished parts provided such replacement products conform to the manufacturer's specifications for new product/parts. The repaired or replacement Machine and/or accompanying Consumable and Accessory Items will be returned to you freight prepaid or made available for you to pick up at a conveniently located Authorized Service Center.

If the Machine and/or accompanying Consumable and Accessory Items are not covered by this warranty (either stage), you will be charged for shipping the Machine and/or accompanying Consumable and Accessory Items back to you and charged for any service and/or replacement parts/products at Brother's then current published rates.

The foregoing are your sole (i.e., only) and exclusive remedies under this warranty.

What happens when Brother elects to replace your Machine:

When a replacement Machine is authorized by Brother, and you have delivered the Machine to an Authorized Service Center, the Authorized Service Center will provide you with a replacement Machine after receiving one from Brother. If you are dealing directly with Brother, Brother will send to you a replacement Machine with the understanding that you will, after receipt of the replacement Machine, supply the required proof of purchase information, together with the Machine that Brother agreed to replace. You are then expected to pack the Machine that Brother agreed to replace in the package from the replacement Machine and return it to Brother using the pre-paid freight bill supplied by Brother in accordance with the instructions provided by Brother. Since you will be in possession of two machines, Brother will require that you provide a valid major credit card number. Brother will issue a hold against the credit card account number that you provide until Brother receives your original Product and determines that your original Product is entitled to warranty coverage. Your credit card will be charged up to the cost of a new Product only if: (i) you do not return your original Product to Brother within five (5) business days; (ii) the problems with your original Product are not covered by the limited warranty; (iii) the proper packaging instructions are not followed and has caused damage to the product; or (iv) the warranty period on your original Product has expired or

has not been sufficiently validated with a copy of the proof of purchase (bill of sale). The replacement Machine you receive (even if refurbished or remanufactured) will be covered by the balance of the limited warranty period remaining on the original Product, plus an additional thirty (30) days. You will keep the replacement Machine that is sent to you and your original Machine shall become the property of Brother. **Retain your original Accessory Items and a copy of the return freight bill, signed by the courier.**

Limitations:

Brother is not responsible for damage to or loss of any equipment, media, programs or data related to the use of this Product. Except for the repair or replacement as described above, Brother shall not be liable for any direct, indirect, incidental or consequential damages or specific relief. Because some states do not allow the exclusion or limitation of consequential or incidental damages, the above limitation may not apply to you.

THIS WARRANTY IS GIVEN IN LIEU OF ALL OTHER WARRANTIES, WRITTEN OR ORAL, WHETHER EXPRESSED BY AFFIRMATION, PROMISE, DESCRIPTION, DRAWING, MODEL OR SAMPLE. ANY AND ALL WARRANTIES OTHER THAN THIS ONE, WHETHER EXPRESS OR IMPLIED, INCLUDING IMPLIED WARRANTIES OF MERCHANTABILITY AND FITNESS FOR A PARTICULAR PURPOSE, ARE HEREBY DISCLAIMED.

- This Limited Warranty is the only warranty that Brother is giving for this Product. It is the *final expression and the exclusive and only statement* of Brother's obligations to you. It replaces all other agreements and understandings that you may have with Brother or its representatives.
- This warranty gives you certain rights and you may also have other rights that may vary from state to state.
- This Limited Warranty (and Brother's obligation to you) may not be changed in any way unless you and Brother sign the same piece of paper in which we (1) refer to this Product and your bill of sale date, (2) describe the change to this warranty and (3) agree to make that change.

Important:

We recommend that you keep all original packing materials, in the event that you ship this Product.

BROTHER MULTIFUNCTION CENTER / FAX MACHINE LIMITED WARRANTY (Canada only)

Pursuant to the limited warranty of 1 year from the date of purchase for labour and parts, Brother International Corporation (Canada) Ltd. ("Brother"), or its Authorized Service Centres, will repair or replace (at Brother's sole discretion) this MFC/Fax machine free of charge if defective in material or workmanship. This warranty applies only to products purchased and used in Canada.

This limited Warranty does not include cleaning, consumables (including, without limitation, ink cartridges, print cartridges, print rolls, thermal paper rolls, toner cartridges, drum units, OPC belts, fixing units, print heads, paper feed rollers, transfer rolls, cleaning rollers, waste toner packs, oil bottles) or damage caused by accident, neglect, misuse or improper installation or operation, any damage caused from service, maintenance, modifications, or tampering by anyone other than a Brother Authorized Service Representative, or if shipped out of the country.

The use of supplies or consumable items that are non-Brother products may void your warranty. This limited warranty ceases when this machine is rented, sold, or otherwise disposed of.

Operation of the MFC/Fax machine in excess of the specifications or with the Serial Number or Rating Label removed shall be deemed abuse and all repairs thereafter shall be the sole liability of the end-user/purchaser. In order to obtain warranty service, the MFC/Fax machine must be delivered or shipped freight prepaid by the end-user/purchaser to a "Brother" Authorized Service Centre, together with your Canadian Proof of Purchase in the form of a Sales Receipt.

When shipping or transporting your MFC/Fax machine, please refer to your Operation Manual for the proper packaging procedures.

For Laser units: Failure to remove the Toner Cartridge (and Toner Drum Unit, waste toner packs or oil bottles on applicable models) during shipping or transport will cause severe damage to the Laser MFC/Fax machine and will void the Warranty.

For inkjet units: (When shipping your Inkjet MFC/Fax machine remove the ink cartridges and replace them with the original protective parts. If original protective parts are not available, leave ink cartridges installed. Please avoid shipping the unit without original protective parts or ink cartridges.) Damage to your print head resulting from packing the Inkjet MFC/Fax machine without the ink cartridges or the protective parts will void your warranty.

Improper packaging may cause severe damage to the machine during shipping and will void the warranty.

BROTHER DISCLAIMS ALL OTHER WARRANTIES EXPRESSED OR IMPLIED INCLUDING, WITHOUT LIMITATIONS, ANY IMPLIED WARRANTIES OF MERCHANTABILITY OR FITNESS FOR A PARTICULAR PURPOSE, EXCEPT TO THE EXTENT THAT ANY WARRANTIES IMPLIED BY LAW CANNOT BE VALIDLY WAIVED.

No oral or written information, advice or representation provided by Brother, its Authorized Service Centres, Distributors, Dealers, Agents or employees, shall create another warranty or modify this warranty. The warranty states Brother's entire liability and your exclusive remedy against Brother for any failure of the MFC/Fax machine to operate properly.

Neither Brother nor anyone else involved in the development, production, or delivery of this MFC/Fax machine shall be liable for any indirect, incidental, special, consequential, exemplary, or punitive damages, including lost profits, arising from the use of or inability to use the product, even if advised by the end user/purchaser of the possibility of such damages. Since some Provinces do not allow the above limitation of liability, such limitation, may not apply to you.

This Limited Warranty gives you specific legal rights and you may also have other rights which vary from Province to Province.

Warranty Service is available at Brother Authorized Service Centres throughout Canada. For Technical Assistance or for the name and location of your nearest Authorized Service Centre call 1-877-Brother.

At your side.
brother®

Internet support: support@brother.ca or browse Brother's Web Site www.brother.ca.

Table of Contents

Section I General

1	General Information	2
	Using the documentation	2
	Symbols and conventions used in the documentation	2
	Accessing the Software User's Guide and Network User's Guide	2
	Viewing Documentation	2
	Accessing Brother Support (For Windows®)	5
	Control panel overview	6
	LCD display screen	8
	Basic Operations	8
2	Loading documents and paper	9
	Loading documents	9
	Using the ADF	9
	Using the scanner glass	10
	Scannable area	10
	Acceptable paper and other media	11
	Recommended media	11
	Handling and using media	11
	Choosing the right media	12
	Loading paper and other media	14
	Loading envelopes and post cards	16
	Loading photo paper	17
	Removing small printouts from the machine	18
	Printable area	19
3	General setup	20
	On/Off key	20
	Turning the machine off	20
	Turning the machine on	20
	On/Off setting	20
	Mode Timer	21
	Paper settings	22
	Paper Type	22
	Paper Size	22
	Volume Settings	23
	Ring Volume	23
	Beeper Volume	23
	Speaker Volume	23
	Automatic Daylight Savings Time	24
	LCD display	24
	LCD Contrast	24
	Setting the backlight brightness	24
	Setting the Dim Timer for the backlight	25
	Setting the Off Timer	25
	Setting the Wallpaper	25

4 Security features 26

TX Lock	26
Setting and changing the TX Lock password	26
Turning the TX Lock on/off	27

Section II Fax

5 Sending a fax 30

Entering Fax mode	30
Faxing from the ADF	30
Faxing from the scanner glass	30
Faxing A4 size documents from the scanner glass	31
Color fax transmission	31
Canceling a fax in progress	31
Broadcasting (Black & White only)	32
Canceling a Broadcast in progress	32
Additional sending operations	33
Sending faxes using multiple settings	33
Contrast	33
Changing fax resolution	33
Dual access (Black & White only)	34
Real time transmission	34
Overseas Mode	35
Delayed Faxing (Black & White only)	35
Delayed Batch Transmission (Black & White only)	35
Checking and canceling waiting jobs	35
Setting your changes as the new default	36
Restoring all settings to the factory settings	36
Sending a fax manually	36
Sending a fax at the end of a conversation	36
Out of Memory message	37

6 Receiving a Fax 38

Receive modes	38
Choosing the Receive Mode	38
Using receive modes	39
Fax only	39
Fax/Tel	39
Manual	39
External TAD	39
Receive mode settings	40
Ring Delay	40
F/T Ring Time (Fax/Tel mode only)	40
Easy Receive	41
Additional receiving operations	41
Printing a reduced incoming fax	41
Receiving a fax at the end of a conversation	42
Printing a fax from the memory	42

7 Telephone Services and External devices 43

Voice operations	43
Tone or Pulse (Canada only).....	43
Fax/Tel mode when the power key is on	43
Fax/Tel mode when the power key is off	43
Telephone services.....	44
Voice Mail	44
Distinctive Ring	45
Caller ID.....	47
Connecting an external TAD (telephone answering device).....	49
Connections.....	50
Recording outgoing message (OGM) on an external TAD	50
Special line considerations	50
Multi-line connections (PBX)	52
External and extension telephones.....	52
Connecting an external or extension telephone	52
Using external and extension telephones.....	52
Using a Non-Brother cordless external telephone.....	53
Using remote codes.....	53

8 Dialing and storing numbers 54

How to Dial	54
Manual dialing	54
Speed Dialing	54
Search	54
Fax Redial	55
Outgoing Call.....	55
Caller ID history	55
Storing numbers	56
Storing a pause	56
Storing Speed Dial numbers.....	56
Changing Speed Dial names or numbers.....	58
Setting up groups for broadcasting.....	59
Dialing Access codes and credit card numbers.....	60

9 Advanced fax operations (Black & White only) 61

Fax Forwarding.....	61
Paging.....	62
Fax Storage	63
PC Fax Receive.....	63
Changing the destination PC	64
Turning off Advanced Fax Operations	65
Changing Advanced Fax Operations.....	65
Remote Retrieval	66
Setting a Remote Access Code.....	66
Using your Remote Access Code.....	66
Remote Fax commands	67
Retrieving fax messages	68
Changing your Fax Forwarding number	68

10	Printing Reports	69
	Fax reports.....	69
	Transmission Verification Report.....	69
	Fax Journal (activity report)	69
	Reports	70
	How to print a report.....	70

11	Polling	71
	Polling overview.....	71
	Polling receive	71
	Setup to receive polling	71
	Sequential polling (Black & White only).....	71
	Polled transmit (Black & White only).....	72
	Set up for polled transmit.....	72

Section III Copy

12	Making copies	74
	How to copy.....	74
	Entering Copy mode.....	74
	Making a single copy	74
	Making multiple copies	74
	Stop copying.....	74
	Copy settings.....	75
	Changing copy quality	75
	Enlarging or reducing the image copied	75
	Making N in 1 copies or a poster (page layout)	76
	Sorting copies using the ADF	77
	Adjusting Brightness, Contrast and Color.....	77
	Paper Options.....	78
	Setting your changes as the new default.....	79
	Restoring all settings to the factory settings	80
	'Out of Memory' message.....	80

Section IV Walk-up Photo Printing

13	PhotoCapture Center®: Printing photos from a memory card or USB Flash memory drive	82
	PhotoCapture Center® Operations	82
	Printing from a memory card or USB Flash memory drive without a PC	82
	Scanning to a memory card or USB Flash memory drive without a PC	82
	Using PhotoCapture Center® from your computer	82
	Using a memory card or USB Flash memory drive	82
	Memory cards or a USB Flash memory drive folder structure	83
	Getting started	84
	Entering PhotoCapture mode	85
	Print Images	85
	View Photo(s)	85
	Print Index (Thumbnails)	86
	Print Photos	86
	Photo Effects	87
	Search by Date	90
	Print All Photos	90
	Slide show	90
	Trimming	91
	DPOF printing	91
	PhotoCapture Center® print settings	92
	Print Quality	93
	Paper options	93
	Adjusting Brightness, Contrast and Color	94
	Cropping	95
	Borderless printing	95
	Setting your changes as the new default	95
	Restoring all settings to the factory settings	95
	Scan to a memory card or USB Flash memory drive	96
	Entering Scan mode	96
	How to scan to a memory card or USB Flash memory drive	96
	Understanding the Error Messages	97
14	Printing photos from a camera	98
	Printing photos directly from a PictBridge camera	98
	PictBridge requirements	98
	Setting your digital camera	98
	Printing Images	99
	DPOF printing	99
	Printing photos directly from a digital camera (without PictBridge)	100
	Printing Images	100
	Understanding the Error Messages	101

Section V Software

15 Software and Network features

104

Section VI Appendixes

A Safety and Legal 106

Choosing a location	106
To use the machine safely	107
Important safety instructions	110
Standard telephone and FCC Notices (These notices are in effect on models sold and used in the United States only.)	112
Federal Communications Commission (FCC) Declaration of Conformity (USA only)	113
Industry Canada Compliance Statement (Canada only)	114
LAN connection	114
Legal limitations for copying	115
Trademarks	116

B Troubleshooting and Routine Maintenance 117

Troubleshooting	117
If you are having difficulty with your machine	117
Error messages	123
Error animation	126
Transferring your faxes or Fax Journal report	126
Document jam	128
Printer jam or paper jam	128
Dial Tone	130
Telephone line interference	130
Routine maintenance	131
Replacing the ink cartridges	131
Cleaning the outside of the machine	133
Cleaning the scanner	134
Cleaning the machine printer platen	134
Cleaning the paper pick-up roller	135
Cleaning the print head	135
Checking the print quality	136
Checking the print alignment	137
Checking the ink volume	137
Machine Information	138
Checking the serial number	138
Packing and shipping the machine	138

C	Menu and Features	141
	On-screen programming	141
	Menu table	141
	Memory storage	141
	Mode and menu keys	141
	Menu table	142
	Entering Text	153
D	Specifications	154
	General	154
	Print media	155
	Fax	156
	Copy	157
	PhotoCapture Center®	158
	PictBridge	159
	Scanner	160
	Printer	161
	Interfaces	162
	Computer requirements	163
	Consumable items	164
	Network (LAN)	165
E	Glossary	166
F	Index	170



General

General Information	2
Loading documents and paper	9
General setup	20
Security features	26

Using the documentation

Thank you for buying a Brother machine! Reading the documentation will help you make the most of your machine.

Symbols and conventions used in the documentation

The following symbols and conventions are used throughout the documentation.

Bold Bold typeface identifies specific keys on the machine's control panel.

Italics Italicized typeface emphasizes an important point or refers you to a related topic.

`Courier New` Text in the Courier New font identifies messages on the LCD of the machine.



Warnings tell you what to do to prevent possible personal injury.



Electrical Hazard icons alert you to possible electrical shock.



Cautions specify procedures you must follow or avoid to prevent possible damage to the machine or other objects.



Notes tell you how you should respond to a situation that may arise or give tips about how the operation works with other features.



Improper Setup icons alert you to devices and operations that are not compatible with the machine.

Accessing the Software User's Guide and Network User's Guide

This User's Guide does not contain all the information about the machine such as how to use the advanced features of the Printer, Scanner, PC Fax and Network. When you are ready to learn detailed information about these operations, read the **Software User's Guide** and **Network User's Guide** that are on the CD-ROM.

Viewing Documentation

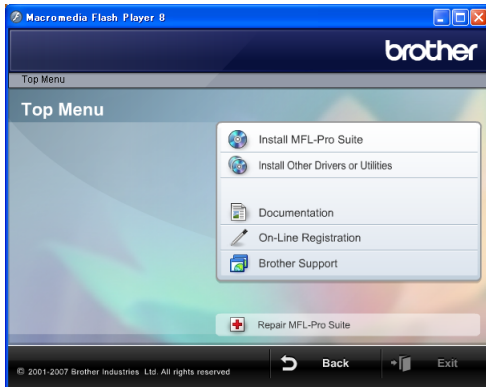
Viewing Documentation (For Windows®)

To view the documentation, from the **Start** menu, point to **Brother, MFC-XXXX** (where XXXX is your model name) from the programs group, and then choose **User's Guides in HTML format**.

If you have not installed the software, you can find the documentation by following the instructions below:

- 1 Turn on your PC. Insert the Brother CD-ROM into your CD-ROM drive.
- 2 If the model name screen appears, click your model name.

- 3 If the language screen appears, click your language. The CD-ROM main menu will appear.



Note

If this window does not appear, use Windows® Explorer to run the start.exe program from the root directory of the Brother CD-ROM.

- 4 Click **Documentation**.
- 5 Click the documentation you want to read.

- **HTML documents: Software User's Guide and Network User's Guide** in HTML format.

This format is recommended for viewing on your computer.

- **PDF documents: User's Guide** for stand-alone operations, **Software User's Guide** and **Network User's Guide** in PDF format.

This format is recommended for printing the manuals. Click to go to the Brother Solutions Center, where you can view or download the PDF documents. (Internet access and PDF Reader software are required.)

How to find Scanning instructions

There are several ways you can scan documents. You can find the instructions as follows:

Software User's Guide

- **Scanning** (For Windows® 2000 Professional/Windows® XP and Windows Vista™)
- **ControlCenter3** (For Windows® 2000 Professional/Windows® XP and Windows Vista™)
- **Network Scanning**

ScanSoft™ PaperPort™ 11SE with OCR How-to-Guides

- The complete ScanSoft™ PaperPort™ 11SE with OCR How-to-Guides can be viewed from the Help selection in the ScanSoft™ PaperPort™ 11SE with OCR application.

Viewing Documentation (For Macintosh®)

- 1 Turn on your Macintosh®. Insert the Brother CD-ROM into your CD-ROM drive. The following window will appear.



- 2 Double-click the **Documentation** icon.
- 3 Double-click your language folder.
- 4 Double-click the top page file to view the **Software User's Guide** and **Network User's Guide** in HTML format.
- 5 Click the documentation you want to read:
 - **Software User's Guide**
 - **Network User's Guide**

How to find Scanning instructions

There are several ways you can scan documents. You can find the instructions as follows:

Software User's Guide

- **Scanning**
(For Mac OS® X 10.2.4 or greater)
- **ControlCenter2**
(For Mac OS® X 10.2.4 or greater)
- **Network Scanning**
(For Mac OS® X 10.2.4 or greater)

Presto!® PageManager® User's Guide

- The complete Presto!® PageManager® User's Guide can be viewed from the Help selection in the Presto!® PageManager® application.

Accessing Brother Support (For Windows®)

You can find all the contacts you will need, such as Web support (Brother Solutions Center), Customer Service and Brother Authorized Service Centers on *Brother numbers* on page i and on the Brother CD-ROM.

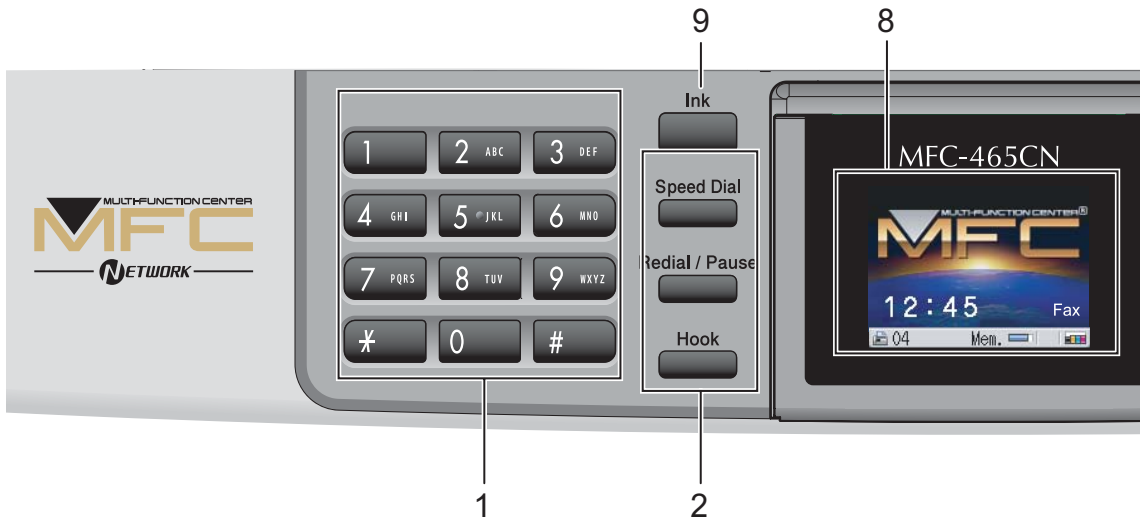
- Click **Brother Support** on the main menu. The following screen will appear:



- To access our web site (www.brother.com), click **Brother Home Page**.
- To view all Brother Numbers, including Customer Service numbers for the USA and Canada, click **Support Information**.
- To access the USA Brother online shopping mall (www.brothermall.com) for additional product and services information, click **Brother Mall.com**.
- To access the Canada's Brother online shopping mall (www.brother.ca) for additional product and services information, click **Shop Online (Canada)**.
- For the latest news and product support information (<http://solutions.brother.com>), click **Brother Solutions Center**.

- To visit our web site for original/genuine Brother Supplies (<http://www.brother.com/original/>), click **Supplies Information**.
- To return to the main page, click **Back** or If you have finished, click **Exit**.

Control panel overview



1 Dial Pad

Use these keys to dial telephone and fax numbers and as a keyboard for entering information into the machine.

(Canada only) The # key lets you temporarily switch the dialing mode during a telephone call from Pulse to Tone.

2 Fax and telephone keys

■ Speed Dial

Lets you look up and dial numbers that are stored in the memory.

■ Redial/Pause

Redials the last 30 numbers called. It also inserts a pause when programming quick dial numbers.

■ Hook

Press before dialing if you want to make sure a fax machine will answer, and then press **Black Start** or **Color Start**.

Also, press this key after picking up the handset of an external telephone during the F/T pseudo/double-ring.

3 Mode keys:

-  **Fax**
Lets you access Fax mode.
-  **Scan**
Lets you access Scan mode.
-  **Copy**
Lets you access Copy mode.
-  **PhotoCapture**
Lets you access PhotoCapture center® mode.

4 Menu keys:

■ Volume keys



In Fax mode, you can press these keys to adjust the ring volume.

■ ◀ or ▶

Press to scroll backward or forward to a menu selection.

■ ▲ or ▼

Press to scroll through the menus and options.

■ Menu

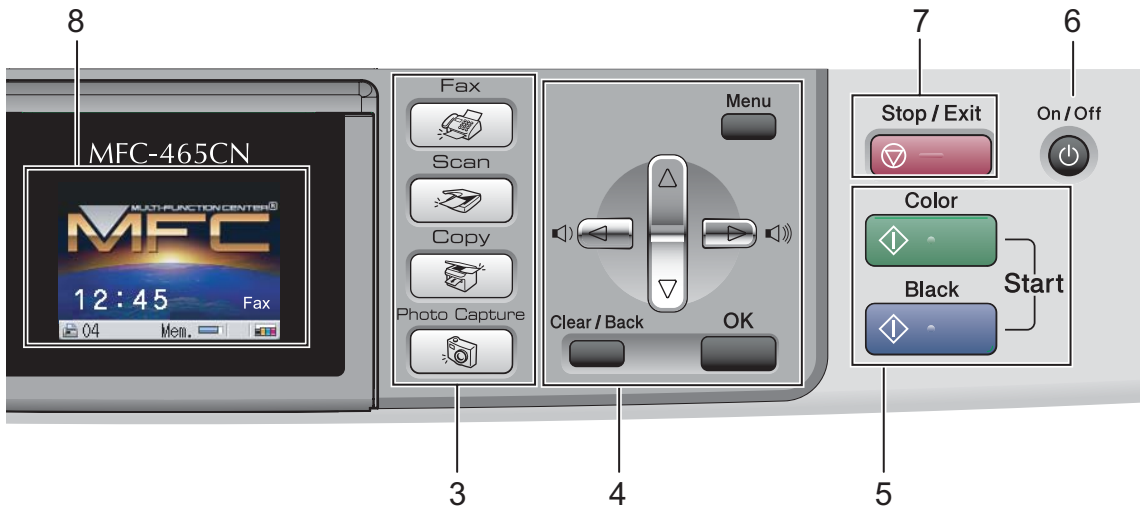
Access the main menu.

■ OK



Lets you choose a setting.

■ Clear/Back

Press to cancel the current setting.



5 Start keys:

-  **Color Start**
Lets you start sending faxes or making copies in full color. Also lets you start a scanning operation (in color or black & white, depending on the scanning setting in the ControlCenter software).
-  **Black Start**
Lets you start sending faxes or making copies in black & white. Also lets you start a scanning operation (in color or black & white depending on the scanning setting in the ControlCenter software).

6 On/Off

You can turn the machine on and off.

7 Stop/Exit

Stops an operation or exits from a menu.

8 LCD (liquid crystal display)

Displays messages on the screen to help you set up and use your machine.

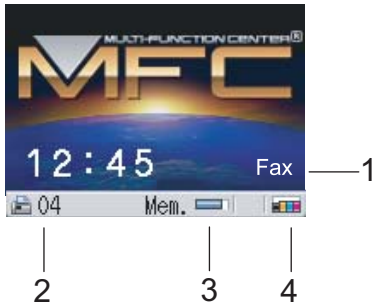
Also, you can adjust the angle of the LCD display by lifting it.

9 Ink

Lets you clean the print head, check the print quality, and check the available ink volume.

LCD display screen

The LCD shows the current machine status when the machine is idle.



1 Current Receive Mode

Lets you see the current receive mode.

- Fax (Fax only)
- F/T (Fax/Tel)
- TAD (External TAD)
- Mnl (Manual)

2 Faxes in memory

Shows how many received faxes are in the memory.

3 Memory Status

Lets you see the available memory in the machine.

4 Ink indicator

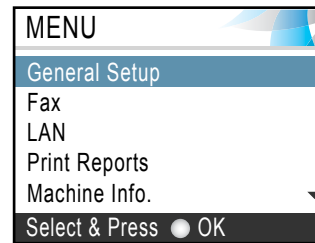
Lets you see the available ink volume.

Basic Operations

The following steps show how to change a setting in the machine. In this example the Mode Timer setting is changed from 2 minutes to 30 seconds.

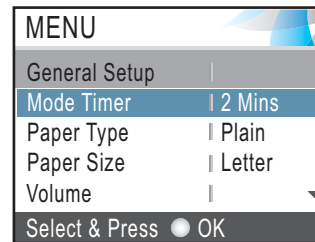
- 1 Press **Menu**.

- 2 Press **▲** or **▼** to choose **General Setup**.



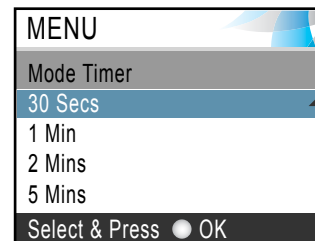
- 3 Press **OK**.

- 4 Press **▲** or **▼** to choose **Mode Timer**.

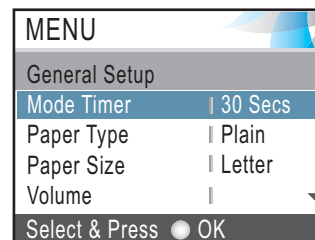


- 5 Press **OK**.

- 6 Press **▲** or **▼** to choose **30 Secs**.



- 7 Press **OK**.
You can see the current setting on the LCD:



- 8 Press **Stop/Exit**.

2

Loading documents and paper

Loading documents

You can send a fax, make copies, and scan from the ADF (automatic document feeder) and from the scanner glass.

Using the ADF

The ADF can hold up to 10 pages and feeds each sheet individually. Use standard 20 lb (80 g/m²) paper and always fan the pages before putting them in the ADF.

Recommended environment

Temperature:	68 to 86° F (20 to 30° C)
Humidity:	50% to 70%
Paper:	20 lb LTR (80 g/m ² A4)

Document Sizes Supported

Length:	5.8 to 14 in. (148 to 355.6 mm)
Width:	5.8 to 8.5 in. (148 to 215.9 mm)
Weight:	17 to 24 lb (64 to 90 g/m ²)

How to load documents

! CAUTION

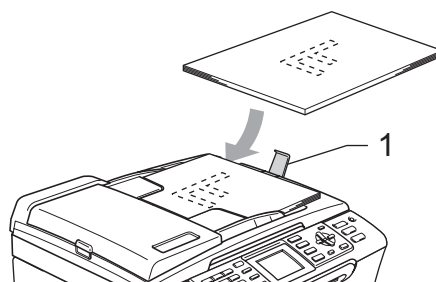
DO NOT pull on the document while it is feeding.

DO NOT use paper that is curled, wrinkled, folded, ripped, stapled, paper clipped, pasted or taped.

DO NOT use cardboard, newspaper or fabric.

■ Make sure documents written with ink are completely dry.

- 1 Fan the pages well. Make sure you put the documents **face down, top edge first** in the ADF until you feel them touch the feed roller.
- 2 Adjust the paper guides to fit the width of your documents.
- 3 Unfold the ADF Document Output Support Flap (1).



! CAUTION

DO NOT leave thick documents on the scanner glass. If you do this, the ADF may jam.

Using the scanner glass

You can use the scanner glass to fax, copy or scan pages of a book or one page at a time.

Document Sizes Supported

Length:	Up to 11.7 in. (297 mm)
Width:	Up to 8.5 in. (215.9 mm)
Weight:	Up to 4.4 lb (2 kg)

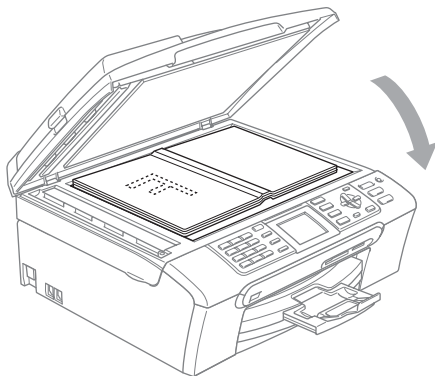
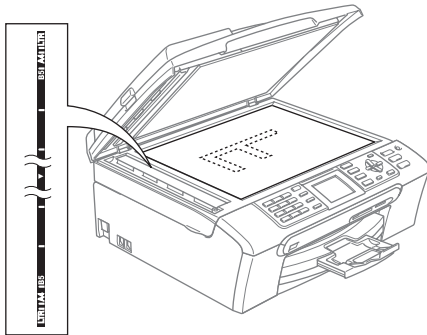
How to load documents



Note

To use the scanner glass, the ADF must be empty.

- 1 Lift the document cover.
- 2 Using the document guidelines on the left, center the document face down on the scanner glass.



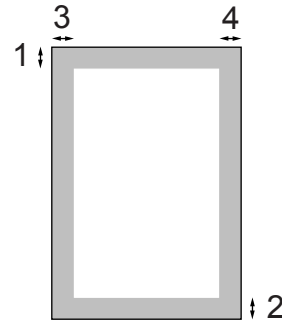
- 3 Close the document cover.

! CAUTION

If you are scanning a book or thick document, DO NOT slam the cover down or press on it.

Scannable area

The scannable area depends on the settings in the application you are using. The figures below show the areas you cannot scan on paper.



Usage	Document Size	Top (1) Bottom (2)	Left (3) Right (4)
Fax	Letter	0.12 in. (3 mm)	0.16 in. (4 mm)
	A4	0.12 in. (3 mm)	0.04 in. (1 mm)
Copy	Letter	0.12 in. (3 mm)	0.12 in. (3 mm)
	A4	0.12 in. (3 mm)	0.12 in. (3 mm)
Scan	Letter	0.12 in. (3 mm)	0.12 in. (3 mm)
	A4	0.12 in. (3 mm)	0 in. (0 mm)

Acceptable paper and other media

The print quality can be affected by the type of paper you are using in the machine.

To get the best print quality for the settings you have chosen, always set the Paper Type to match the type of paper you load.

You can use plain paper, inkjet paper (coated paper), glossy paper, transparencies and envelopes.

We recommend testing various paper types before buying large quantities.

For best results, use Brother paper.

- When you print on inkjet paper (coated paper), transparencies and photo paper, be sure to choose the proper media in the **'Basic'** tab of the printer driver or in the Paper Type setting of the menu. (See *Paper Type* on page 22.)
- When you print on Brother photo paper, load the instruction sheet included with the photo paper in the paper tray first, and then put the photo paper on top of the instruction sheet.
- When you use transparencies or photo paper, remove each sheet at once to prevent smudging or paper jams.
- Avoid touching the printed surface of the paper immediately after printing; the surface may not be completely dry and may stain your fingers.

Recommended media

To get the best print quality, we suggest using Brother paper. (See table below.)

We recommend using '3M Transparency Film' when you print on transparencies.

Brother paper

Paper Type	Item
Letter Plain	BP60PL (USA only)

Brother paper

Paper Type	Item
Letter Glossy Photo	BP61GLL
Letter Inkjet (Matte)	BP60ML (USA only)
4 × 6 in. Glossy Photo	BP61GLP

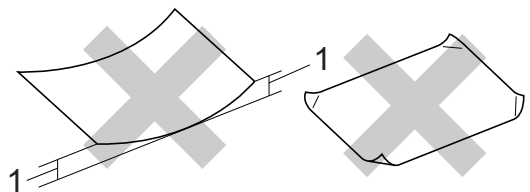
Handling and using media

- Store paper in its original packaging, and keep it sealed. Keep the paper flat and away from moisture, direct sunlight and heat.
- The coated side of photo paper is shiny. Avoid touching the shiny (coated) side. Load photo paper with the shiny side facing down.
- Avoid touching either side of transparencies because they absorb water and perspiration easily, and this may cause decreased output quality. Transparencies designed for laser printers/copiers may stain your next document. Use only transparencies recommended for inkjet printing.

Improper Setup

DO NOT use the following kinds of paper:

- Damaged, curled, wrinkled, or irregularly shaped paper



1 0.08 in. (2 mm) or longer

- Extremely shiny or highly textured paper
- Paper already printed on by a printer
- Paper that cannot be arranged uniformly when stacked
- Paper made with a short grain

Paper capacity of the output paper tray

Up to 50 sheets of 20 lb Letter or 80 g/m² A4 paper.

- Transparencies or photo paper must be picked up from the output paper tray one page at a time to avoid smudging.

Choosing the right media

Paper type and size for each operation

Paper Type	Paper Size		Usage			
			Fax	Copy	Photo Capture	Printer
Cut Sheet	Letter	8 1/2 × 11 in. (216 × 279 mm)	Yes	Yes	Yes	Yes
	A4	8.3 × 11.7 in. (210 × 297 mm)	Yes	Yes	Yes	Yes
	Legal	8 1/2 × 14 in. (216 × 356 mm)	Yes	Yes	–	Yes
	Executive	7 1/4 × 10 1/2 in. (184 × 267 mm)	–	–	–	Yes
	JIS B5	7.2 × 10.1 in. (182 × 257 mm)	–	–	–	Yes
	A5	5.8 × 8.3 in. (148 × 210 mm)	–	Yes	–	Yes
	A6	4.1 × 5.8 in. (105 × 148 mm)	–	–	–	Yes
Cards	Photo	4 × 6 in. (10 × 15 cm)	–	Yes	Yes	Yes
	Photo L	3 1/2 × 5 in. (89 × 127 mm)	–	–	–	Yes
	Photo 2L	5 × 7 in. (13 × 18 cm)	–	–	Yes	Yes
	Index Card	5 × 8 in. (127 × 203 mm)	–	–	–	Yes
	Post Card 1	3.9 × 5.8 in. (100 × 148 mm)	–	–	–	Yes
	Post Card 2 (Double)	5.8 × 7.9 in. (148 × 200 mm)	–	–	–	Yes
Envelopes	C5 Envelope	6.4 × 9 in. (162 × 229 mm)	–	–	–	Yes
	DL Envelope	4.3 × 8.7 in. (110 × 220 mm)	–	–	–	Yes
	COM-10	4 1/8 × 9 1/2 in. (105 × 241 mm)	–	–	–	Yes
	Monarch	3 7/8 × 7 1/2 in. (98 × 191 mm)	–	–	–	Yes
	JE4 Envelope	4.1 × 9.3 in. (105 × 235 mm)	–	–	–	Yes
	Transparencies	Letter	8 1/2 × 11 in. (216 × 279 mm)	–	Yes	–
A4		8.3 × 11.7 in. (210 × 297 mm)	–	Yes	–	Yes

Paper weight, thickness and capacity

Paper Type		Weight	Thickness	No. of sheets
Cut Sheet	Plain Paper	17 to 32 lb (64 to 120 g/m ²)	0.003 to 0.006 in. (0.08 to 0.15 mm)	100 ¹
	Inkjet Paper	17 to 53 lb (64 to 200 g/m ²)	0.003 to 0.01 in. (0.08 to 0.25 mm)	20
	Glossy Paper	Up to 58 lb (Up to 220 g/m ²)	Up to 0.01 in. (Up to 0.25 mm)	20 ²
Cards	Photo 4"×6"	Up to 58 lb (Up to 220 g/m ²)	Up to 0.01 in. (Up to 0.25 mm)	20 ²
	Index Card	Up to 32 lb (Up to 120 g/m ²)	Up to 0.006 in. (Up to 0.15 mm)	30
	Post Card	Up to 53 lb (Up to 200 g/m ²)	Up to 0.01 in. (Up to 0.23 mm)	30
Envelopes		20 to 25 lb (75 to 95 g/m ²)	Up to 0.02 in. (Up to 0.52 mm)	10
Transparencies		–	–	10

¹ Up to 50 sheets for Legal size paper 20 lb (80 g/m²).
Up to 100 sheets of Letter/A4 20 lb (80 g/m²) paper.

² For Photo 4"×6" and Photo L 3.5"×5" paper, use the photo bypass tray (in USA) or the photo paper tray (in Canada).
(See *Loading photo paper* on page 17.)

Loading paper and other media

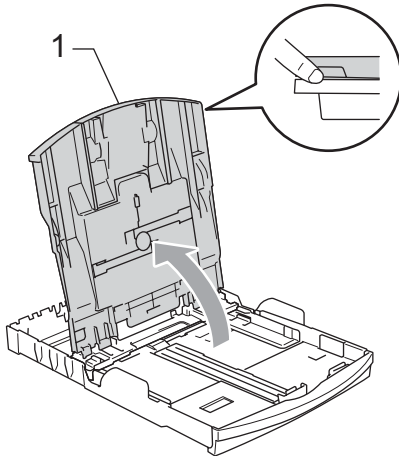
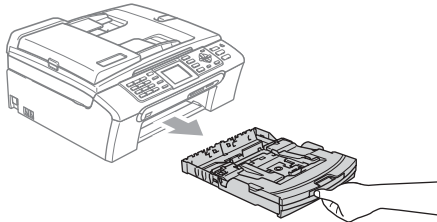


Note

To print on Photo (4"×6") or Photo L (3.5"×5") paper, see *Loading photo paper* on page 17.

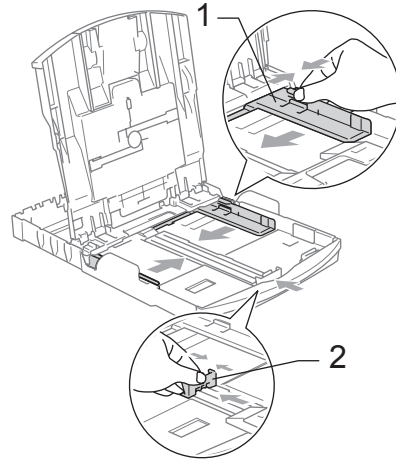
1

If the paper support flap is open, close it, and then pull the paper tray completely out of the machine. Lift the output paper tray cover (1).



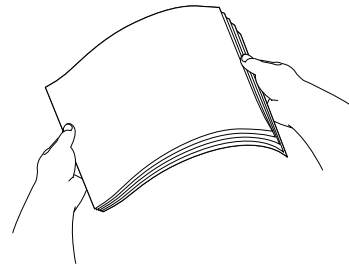
2

Press and slide the paper side guides (1) and paper length guide (2) to fit the paper size.



3

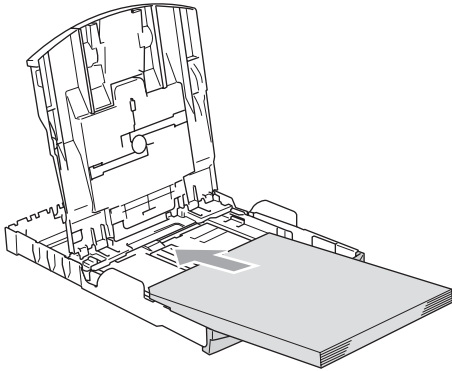
Fan the stack of paper well to avoid paper jams and misfeeds.



Note

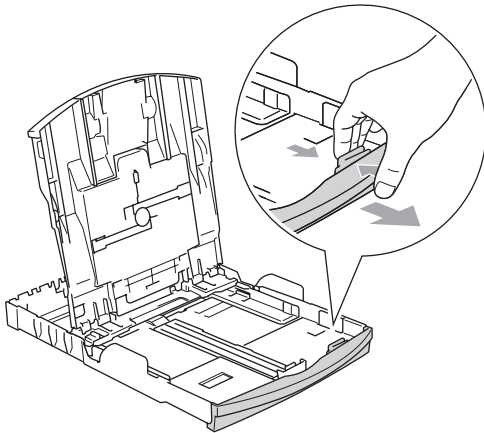
Always make sure that the paper is not curled.

- 4 Gently put the paper into the paper tray print side down and top edge first. Check that the paper is flat in the tray.

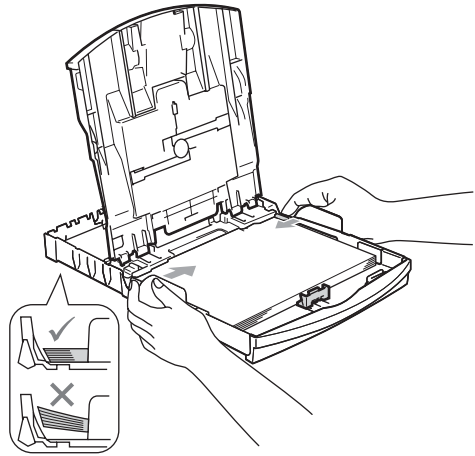


Note

When you use Legal size paper, press and hold the universal guide release button as you slide out the front of the paper tray.



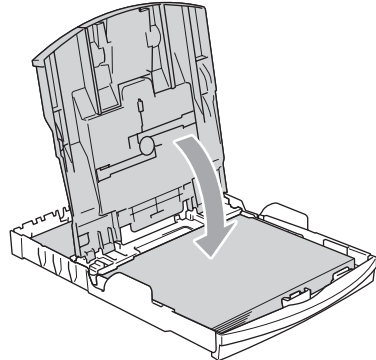
- 5 Gently adjust the paper side guides to the paper with both hands. Make sure the paper side guides touch the sides of the paper.



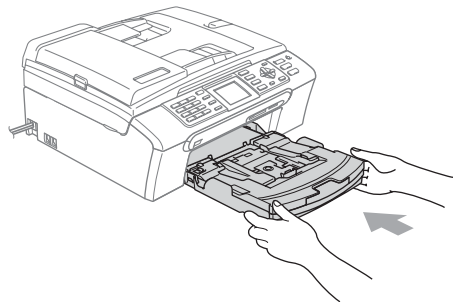
Note

Be careful that you do not push the paper in too far; it may lift at the back of the tray and cause feed problems.

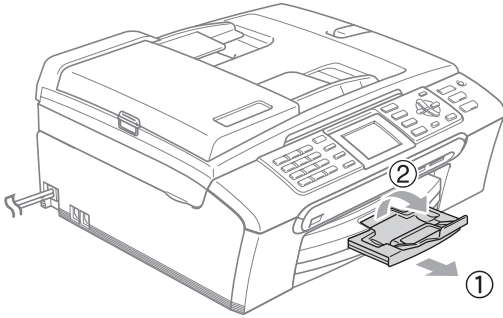
- 6 Close the output paper tray cover.



- 7 Slowly push the paper tray completely into the machine.



- 8 While holding the paper tray in place, pull out the paper support (1) until it clicks and unfold the paper support flap (2).



Note

Do not use the paper support flap for Legal paper.

Loading envelopes and post cards

About envelopes

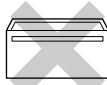

- Use envelopes that weigh from 20 to 25 lb (75 to 95 g/m²).
- Some envelopes need margin settings to be set in the application. Make sure you do a test print first.



CAUTION

DO NOT use any of the following types of envelopes, as they will cause paper feed problems:

- That are of a baggy construction.
- That are embossed (have raised writing on them).
- That have clasps or staples.
- That are pre-printed on the inside.

Glue	Double flap
	

Occasionally you may experience paper feed problems caused by the thickness, size and flap shape of the envelopes you are using.

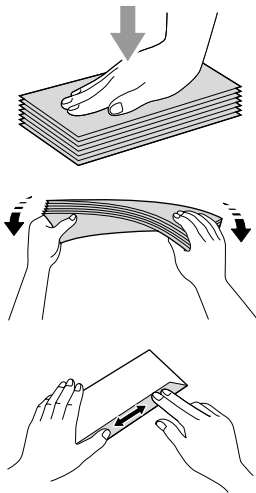
How to load envelopes and post cards

- 1 Before loading, press the corners and sides of the envelopes or post cards to make them as flat as possible.

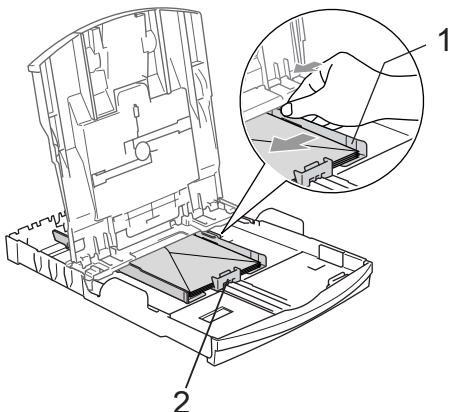


Note

If the envelopes or post cards are 'double-feeding', put one envelope or post card in the paper tray at a time.

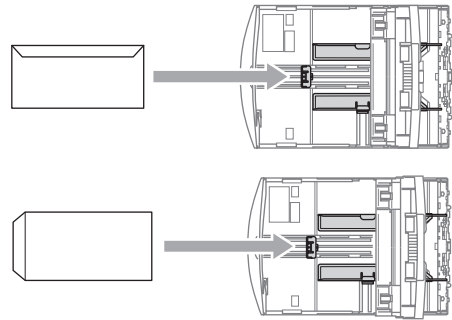


- 2 Put the envelopes or post cards into the paper tray with the address side down and the leading edge in first as shown in the illustration. Slide the paper side guides (1) and paper length guide (2) to fit the size of the envelopes or post cards.



If you have problems when printing on envelopes, try the following suggestions:

- 1 Open the envelope flap.
- 2 Make sure the open flap is either to the side of the envelope or to the back edge of the envelope when printing.
- 3 Adjust the size and margin in your application.



Loading photo paper

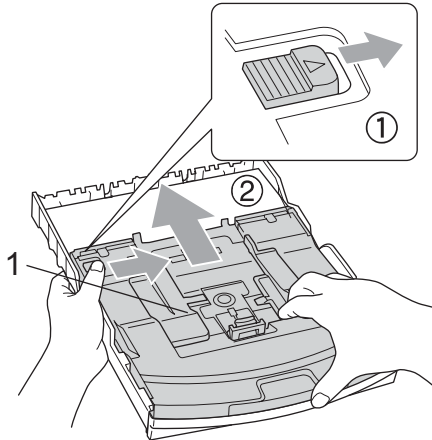


Note

In Canada, the **photo bypass tray** is called the **photo paper tray**.

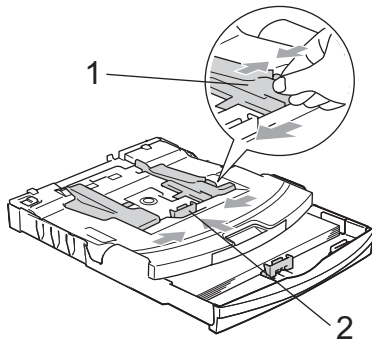
Use the photo bypass tray, which has been assembled on the top of the output paper tray cover, to print on photo 4"×6" and photo L 3.5"×5" size paper. When you use the photo bypass tray, you do not have to take out the paper that is in the tray beneath it.

- 1 Press the photo bypass tray release button with your left thumb and push the photo bypass tray backward until it clicks into the photo printing position.

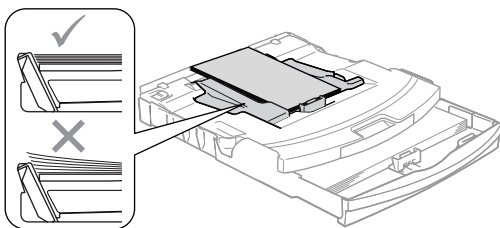


1 Photo Bypass Tray

- 2 Press and slide the paper side guides (1) and paper length guide (2) to fit the paper size.



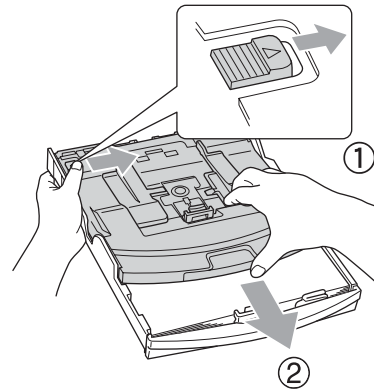
- 3 Put the photo paper into the photo bypass tray and gently adjust the paper side guides to the paper. Make sure the paper side guides touch the sides of the paper.



Note

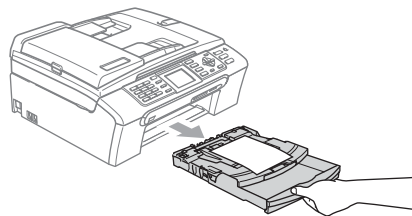
- Be careful that you do not push the paper in too far; it may lift at the back of the tray and cause feed problems.
- Always make sure that the paper is not curled.

- 4 When you have finished printing photos return the photo bypass tray to the normal printing position. Press the photo bypass tray release button with your left thumb and pull the photo bypass tray forward until it clicks.



Removing small printouts from the machine

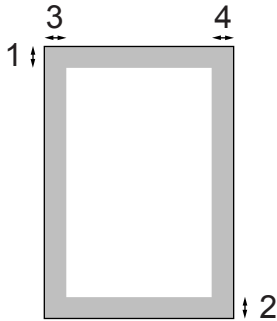
When the machine ejects small paper onto the output paper tray you may not be able to reach it. Make sure printing has finished, and then pull the tray completely out of the machine.



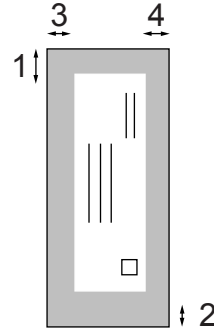
Printable area

The printable area depends on the settings in the application you are using. The figures below show the unprintable areas on cut sheet paper and envelopes. The machine can only print in the shaded areas when the Borderless print feature is available and turned on.

Cut Sheet Paper



Envelopes



	Top (1)	Bottom (2)	Left (3)	Right (4)
Cut Sheet	0.12 in. (3 mm)	0.12 in. (3 mm)	0.12 in. (3 mm)	0.12 in. (3 mm)
Envelopes	0.47 in. (12 mm)	0.95 in. (24 mm)	0.12 in. (3 mm)	0.12 in. (3 mm)



Note

The Borderless feature is not available for envelopes.

3

General setup

On/Off key

When the machine is idle, you can turn it on and off by pressing the **On/Off** key.



Note

If you have connected an external telephone or TAD, it is always available.

Turning the machine off

- 1 Press and hold down the **On/Off** key until the LCD shows *Shutting Down*. The LCD will stay on for a few seconds before going off.

Turning the machine on

- 1 Press the **On/Off** key.

On/Off setting

You can customize the machine's **On/Off** key. The factory setting is *Fax Receive:Off*. Your machine will not work when it is switched off, but it will clean the print head periodically. If you turn this setting to *Fax Receive:On*, you can receive faxes or calls even when the machine is switched off. (See *On/Off key* on this page.)

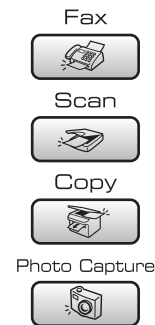
- 1 Press **Menu**.
- 2 Press **▲** or **▼** to choose *General Setup*. Press **OK**.
- 3 Press **▲** or **▼** to choose *On/Off Setting*. Press **OK**.
- 4 Press **▲** or **▼** to choose *Fax Receive:On* (or *Fax Receive:Off*). Press **OK**.
- 5 Press **Stop/Exit**.

On/Off setting	Receive mode	Available operations
Fax Receive :Off (factory setting)	—	No machine operations will be available.
Fax Receive :On ¹	Fax Only External TAD	Fax Receive Easy Receive Delayed Fax ³ Fax Forward ³ Paging ³ Fax Storage ³ PC Fax Receive ³ Remote Retrieval ³
	Manual Fax/Tel ²	Easy Receive Delayed Fax ³

- ¹ You cannot receive a fax with **Black Start** or **Color Start**.
- ² You cannot receive a fax automatically if you have set the receive mode to Fax/Tel.
- ³ Set before you switch off the machine.

Mode Timer

The machine has four temporary mode keys on the control panel: **Fax**, **Scan**, **Copy** and **PhotoCapture**. You can change the amount of time the machine takes after the last Scan, Copy or PhotoCapture operation before it returns to Fax mode. If you choose *Off*, the machine stays in the mode you used last.



- 1** Press **Menu**.
- 2** Press **▲** or **▼** to choose **General Setup**. Press **OK**.
- 3** Press **▲** or **▼** to choose **Mode Timer**. Press **OK**.
- 4** Press **▲** or **▼** to choose **0 Sec**, **30 Secs**, **1 Min**, **2 Mins**, **5 Mins** or **Off**. Press **OK**.
- 5** Press **Stop/Exit**.

Paper settings

Paper Type

To get the best print quality, set the machine for the type of paper you are using.

- 1 Press **Menu**.
- 2 Press **▲** or **▼** to choose General Setup.
Press **OK**.
- 3 Press **▲** or **▼** to choose Paper Type.
Press **OK**.
- 4 Press **▲** or **▼** to choose Plain Paper, Inkjet Paper, Brother Photo, Other Photo or Transparency.
Press **OK**.
- 5 Press **Stop/Exit**.



Note

The machine ejects paper with printed surfaces face up onto the paper tray in front of the machine. When you use transparencies or glossy paper, remove each sheet at once to prevent smudging or paper jams.

Paper Size




You can use five sizes of paper for printing copies: Letter, Legal, A4, A5, and 4 × 6 in. (10 × 15 cm) and three sizes for printing faxes: Letter, Legal and A4. When you change the size of paper you load in the machine, you will need to change the paper size setting at the same time so your machine can fit an incoming fax on the page.

- 1 Press **Menu**.
- 2 Press **▲** or **▼** to choose General Setup.
Press **OK**.
- 3 Press **▲** or **▼** to choose Paper Size.
Press **OK**.
- 4 Press **▲** or **▼** to choose Letter, Legal, A4, A5 or 4" x6".
Press **OK**.
- 5 Press **Stop/Exit**.

Volume Settings

Ring Volume

You can choose a range of ring volume levels, from **High** to **Off**.

While in Fax mode , press  or  to adjust the volume level. The LCD shows the current setting, and each key press will change the volume to the next level. The machine will keep the new setting until you change it. You can also change the volume through the menu, by following the instructions below:

Setting the Ring Volume from the menu

- 1 Press **Menu**.
- 2 Press **▲** or **▼** to choose **General Setup**. Press **OK**.
- 3 Press **▲** or **▼** to choose **Volume**. Press **OK**.
- 4 Press **▲** or **▼** to choose **Ring**. Press **OK**.
- 5 Press **▲** or **▼** to choose **Low, Med, High** or **Off**. Press **OK**.
- 6 Press **Stop/Exit**.

Beeper Volume

When the beeper is on, the machine will beep when you press a key, make a mistake or after you send or receive a fax.

You can choose a range of volume levels, from **High** to **Off**.

- 1 Press **Menu**.



- 2 Press **▲** or **▼** to choose **General Setup**. Press **OK**.
- 3 Press **▲** or **▼** to choose **Volume**. Press **OK**.
- 4 Press **▲** or **▼** to choose **Beeper**. Press **OK**.
- 5 Press **▲** or **▼** to choose **Low, Med, High** or **Off**. Press **OK**.
- 6 Press **Stop/Exit**.

Speaker Volume

You can choose a range of speaker volume levels, from **High** to **Off**.

- 1 Press **Menu**.
- 2 Press **▲** or **▼** to choose **General Setup**. Press **OK**.
- 3 Press **▲** or **▼** to choose **Volume**. Press **OK**.
- 4 Press **▲** or **▼** to choose **Speaker**. Press **OK**.
- 5 Press **▲** or **▼** to choose **Low, Med, High** or **Off**. Press **OK**.
- 6 Press **Stop/Exit**.

You can also adjust the speaker volume by pressing **Hook**.

- 1 Press **Hook**.
- 2 Press  or . This setting will stay until you change it again.
- 3 Press **Hook**.

Automatic Daylight Savings Time

You can set the machine to change automatically for daylight savings time. It will reset itself forward one hour in the Spring and backward one hour in the Fall. Make sure you have set the correct date and time in the **Date&Time** setting.

- 1 Press **Menu**.
- 2 Press **▲** or **▼** to choose **General Setup**. Press **OK**.
- 3 Press **▲** or **▼** to choose **Auto Daylight**. Press **OK**.
- 4 Press **▲** or **▼** to choose **On (or Off)**. Press **OK**.
- 5 Press **Stop/Exit**.

LCD display

LCD Contrast

You can adjust the LCD contrast for a sharper and more vivid display. If you are having difficulty reading the LCD, try changing the contrast setting.

- 1 Press **Menu**.
- 2 Press **▲** or **▼** to choose **General Setup**. Press **OK**.
- 3 Press **▲** or **▼** to choose **LCD Settings**. Press **OK**.
- 4 Press **▲** or **▼** to choose **LCD Contrast**. Press **OK**.
- 5 Press **▲** or **▼** to choose **Light, Med or Dark**. Press **OK**.
- 6 Press **Stop/Exit**.

Setting the backlight brightness

You can adjust the brightness of the LCD backlight. If you are having difficulty reading the LCD, try changing the brightness setting.

- 1 Press **Menu**.
- 2 Press **▲** or **▼** to choose **General Setup**. Press **OK**.
- 3 Press **▲** or **▼** to choose **LCD Settings**. Press **OK**.
- 4 Press **▲** or **▼** to choose **Backlight**. Press **OK**.
- 5 Press **▲** or **▼** to choose **Light or Dark**. Press **OK**.
- 6 Press **Stop/Exit**.

Setting the Dim Timer for the backlight

You can set how long the LCD backlight stays on after the last key press.

- 1 Press **Menu**.
- 2 Press **▲** or **▼** to choose `General Setup`. Press **OK**.
- 3 Press **▲** or **▼** to choose `LCD Settings`. Press **OK**.
- 4 Press **▲** or **▼** to choose `Dim Timer`. Press **OK**.
- 5 Press **▲** or **▼** to choose `10 Secs`, `20 Secs`, `30 Secs` or `Off`. Press **OK**.
- 6 Press **Stop/Exit**.

Setting the Off Timer

You can set how long the LCD stays on after the last key press. This is a power saving feature. The machine can print, scan and receive faxes and voice calls when the LCD is off.

- 1 Press **Menu**.
- 2 Press **▲** or **▼** to choose `General Setup`. Press **OK**.
- 3 Press **▲** or **▼** to choose `LCD Settings`. Press **OK**.
- 4 Press **▲** or **▼** to choose `Off Timer`. Press **OK**.
- 5 Press **▲** or **▼** to choose `1 Min`, `2 Mins`, `3 Mins`, `5 Mins`, `10 Mins`, `30 Mins` or `Off`. Press **OK**.
- 6 Press **Stop/Exit**.



Note

When the display is off you can press any key to turn it back on.

Setting the Wallpaper

You can change the wallpaper.

- 1 Press **Menu**.
- 2 Press **▲** or **▼** to choose `General Setup`. Press **OK**.
- 3 Press **▲** or **▼** to choose `LCD Settings`. Press **OK**.
- 4 Press **▲** or **▼** to choose `Wallpaper`. Press **OK**.
- 5 Press **▲** or **▼** to choose a wallpaper. Press **OK**.
- 6 Press **Stop/Exit**.

4

Security features

TX Lock

TX Lock lets you prevent unauthorized access to the machine. You will not be able to continue to schedule Delayed Faxes or Polling jobs. However, any pre-scheduled Delayed Faxes will be sent even if you turn on TX Lock, so they will not be lost.

While TX Lock is On, the following operations are available:

- Receiving faxes
- Fax Forwarding (If Fax Forwarding was already On)
- Paging (If Paging was already On)
- Remote retrieval (If Fax Storage was already On)
- PC Fax Receive (If PC Fax Receive was already On)

While TX Lock is On, the following operations are NOT available:

- Sending faxes
- Copying
- PC printing
- Scanning
- PhotoCapture
- Operation from Control panel



Note

If you forget the TX Lock password, please call Brother Customer Service.

Setting and changing the TX Lock password



Note

If you have already set the password, you will not need to set it again.

Setting up the password

- 1 Press **Menu**.
- 2 Press **▲** or **▼** to choose **Fax**. Press **OK**.
- 3 Press **▲** or **▼** to choose **Miscellaneous**. Press **OK**.
- 4 Press **▲** or **▼** to choose **TX Lock**. Press **OK**.
- 5 Enter a 4-digit number for the password. Press **OK**.
- 6 When the LCD shows **Verify:**, re-enter the password. Press **OK**.
- 7 Press **Stop/Exit**.

Changing the TX Lock password

- 1 Press **Menu**.
- 2 Press **▲** or **▼** to choose **Fax**. Press **OK**.
- 3 Press **▲** or **▼** to choose **Miscellaneous**. Press **OK**.
- 4 Press **▲** or **▼** to choose **TX Lock**. Press **OK**.
- 5 Press **▲** or **▼** to choose **Set Password**. Press **OK**.

- 6 Enter a 4-digit number for the current password.
Press **OK**.
- 7 Enter a 4-digit number for a new password.
Press **OK**.
- 8 When the LCD shows *Verify:*, re-enter the password.
Press **OK**.
- 9 Press **Stop/Exit**.

Turning the TX Lock on/off

Turning TX Lock on

- 1 Press **Menu**.
- 2 Press **▲** or **▼** to choose *Fax*.
Press **OK**.
- 3 Press **▲** or **▼** to choose *Miscellaneous*.
Press **OK**.
- 4 Press **▲** or **▼** to choose *TX Lock*.
Press **OK**.
- 5 Press **▲** or **▼** to choose *Set TX Lock*.
Press **OK**.
- 6 Enter the registered 4-digit password.
Press **OK**.
The machine goes offline and the LCD shows *TX Lock Mode*.

Turning TX Lock off

- 1 Press **Menu**.
- 2 Enter the registered 4-digit password.
Press **OK**.
TX lock is automatically turned off.



Note

If you enter the wrong password, the LCD shows *Wrong Password* and stays offline. The machine will stay in TX Lock mode until the registered password is entered.




Fax

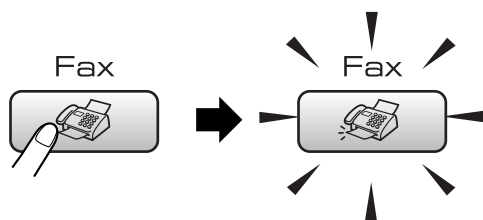
Sending a fax	30
Receiving a Fax	38
Telephone Services and External devices	43
Dialing and storing numbers	54
Advanced fax operations (Black & White only)	61
Printing Reports	69
Polling	71

5

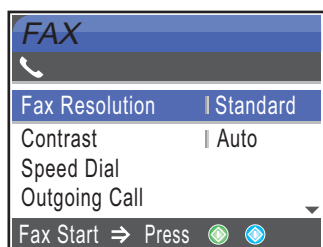
Sending a fax

Entering Fax mode

When the machine is idle, the time appears on the LCD. When you want to send a fax, or change fax send or receive settings, press the  (**Fax**) key to illuminate it in green.



The LCD shows:




Press **▲** or **▼** to scroll through the **Fax** key options. Some functions are only available when sending black & white faxes.

- Fax Resolution (See page 33.)
- Contrast (See page 33.)
- Speed Dial (See page 54.)
- Outgoing Call (See page 55.)
- Caller ID hist. (See page 55.)
- Broadcasting (See page 32.)
- Delayed Fax (See page 35.)
- Batch TX (See page 35.)
- Real Time TX (See page 34.)
- Polled TX (See page 72.)
- Polling RX (See page 71.)
- Overseas Mode (See page 35.)
- Scan Size (See page 31.)

- Set New Default (See page 36.)
- Factory Reset (See page 36.)

When the option you want is highlighted, press **OK**.

Faxing from the ADF

- 1 Press  (**Fax**).
- 2 Put the document face down in the ADF. (See *Using the ADF* on page 9.)
- 3 Enter the fax number using the dial pad, Speed Dial or Search.
- 4 Press **Black Start** or **Color Start**. The machine starts scanning the document.



Note

- To cancel, press **Stop/Exit**.
- If you send a black & white fax when the memory is full it will be sent in real time.

Faxing from the scanner glass


You can use the scanner glass to fax pages of a book one at a time. The documents can be up to letter or A4 size.

You cannot send multiple pages for color faxes.




Note

Since you can only scan one page at a time, it is easier to use the ADF if you are sending a multiple page document.

- 1 Press  (**Fax**).
- 2 Load your document face down on the scanner glass. (See *Using the scanner glass* on page 10.)
- 3 Enter the fax number using the dial pad, Speed Dial or Search.
- 4 Press **Black Start** or **Color Start**.
 - If you press **Black Start**, the machine starts scanning the first page. Go to step 5.
 - If you press **Color Start**, the machine starts sending the document.
- 5 Do one of the following:
 - To send a single page, press 2 to choose **No** (or press **Black Start** again).
The machine starts sending the document.
 - To send more than one page, press 1 to choose **Yes** and go to step 6.
- 6 Put the next page on the scanner glass. Press **OK**.
The machine starts scanning the page. (Repeat steps 5 and 6 for each additional page.)

Faxing A4 size documents from the scanner glass

When documents are A4 size, you need to set Scan Size to A4. If you do not, the bottom portion of the faxes will be missing.

- 1 Press  (**Fax**).
- 2 Press **▲** or **▼** to choose **Scan Size**. Press **OK**.
- 3 Press **▲** or **▼** to choose **A4**. Press **OK**.



Note

You can save the setting you use most often by setting it as default. (See page 36.)

Color fax transmission

Your machine can send a color fax to machines that support this feature.

Color faxes cannot be stored in the memory. When you send a color fax, the machine will send it in real time (even if **Real Time TX** is set to **Off**).


Canceling a fax in progress

If you want to cancel a fax while the machine is scanning, dialing or sending, press **Stop/Exit**.

Broadcasting (Black & White only)

Broadcasting is when the same fax message is automatically sent to more than one fax number. You can include Groups, Speed Dial numbers and up to 50 manually dialed numbers in the same broadcast.

After the broadcast is finished, a Broadcast Report will be printed.

- 1 Press  (**Fax**).
- 2 Load your document.
- 3 Press **▲** or **▼** to choose **Broadcasting**. Press **OK**.
- 4 Press **▲** or **▼** to choose **Add Number**. Press **OK**.
- 5 Enter a number using Speed Dial, a Group, or the dial pad. Press **OK**.
- 6 After you have entered all the fax numbers by repeating steps 4 and 5, press **▲** or **▼** to choose **Complete**. Press **OK**.
- 7 Press **Black Start**.



Note

- If you did not use up any of the numbers for Groups, you can 'broadcast' faxes to as many as 210 different numbers.
- The available memory will vary depending on the types of jobs in the memory and the number of locations used for broadcasting. If you broadcast to the maximum numbers available, you will not be able to use dual access and delayed fax.
- If the memory is full, press **Stop/Exit** to stop the job. If more than one page has been scanned, press **Black Start** to send the portion that is in the memory.

Canceling a Broadcast in progress

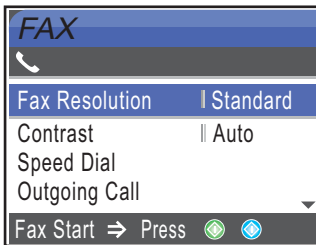
- 1 Press **Menu**.
- 2 Press **▲** or **▼** to choose **Fax**. Press **OK**.
- 3 Press **▲** or **▼** to choose **Remaining Jobs**. Press **OK**.
The LCD will show the fax number being dialed and the Broadcast job number.
- 4 Press **OK**.
The LCD will ask you the following message:
Cancel Job?
Yes → Press 1
No → Press 2
- 5 Press **1** to clear the number being dialed.
The LCD will then show the Broadcast job number.
- 6 Press **OK**.
The LCD will ask you the following message:
Cancel Job?
Yes → Press 1
No → Press 2
- 7 Press **1** to cancel the Broadcast.
- 8 Press **Stop/Exit**.

Additional sending operations

Sending faxes using multiple settings

When you send a fax you can choose any combination of these settings: resolution, contrast, overseas mode, delayed fax timer, polling transmission and real time transmission.

- 1 Press  (**Fax**).
The LCD shows:



- 2 Press **▲** or **▼** to choose any settings you want to change.
Press **OK**.
- 3 After each setting is accepted, you can continue to change more settings.



Note


- Most settings are temporary and the machine returns to its default settings after you send a fax.
- You can save some of the settings you use most often by setting them as default. These settings will stay until you change them again. (See *Setting your changes as the new default* on page 36.)

Contrast

If your document is very light or very dark, you may want to change the contrast. For most documents the factory setting **Auto** can be used. It automatically chooses the suitable contrast for your document.

Use **Light** when sending a light document.

Use **Dark** when sending a dark document.

- 1 Press  (**Fax**).
- 2 Press **▲** or **▼** to choose **Contrast**.
Press **OK**.
- 3 Press **▲** or **▼** to choose **Auto**, **Light** or **Dark**.
Press **OK**.




Note

Even if you choose **Light** or **Dark**, the machine will send the fax using the **Auto** setting in any of the following conditions:

- When you send a color fax.
- When you choose **Photo** as the Fax Resolution.

Changing fax resolution

The quality of a fax can be improved by changing the fax resolution.

- 1 Press  (**Fax**).
- 2 Press **▲** or **▼** to choose **Fax Resolution**.
Press **OK**.
- 3 Press **▲** or **▼** to choose the resolution you want.
Press **OK**.

**Note**

You can choose four different resolution settings for black & white faxes and two for color.

Black & White	
Standard	Suitable for most typed documents.
Fine	Good for small print and transmits a little slower than Standard resolution.
S.Fine	Good for small print or artwork and transmits slower than Fine resolution.
Photo	Use when the document has varying shades of gray or is a photograph. This has the slowest transmission.

Color	
Standard	Suitable for most typed documents.
Fine	Use when the document is a photograph. The transmission time is slower than Standard resolution.

If you choose **S.Fine** or **Photo** and then use the **Color Start** key to send a fax, the machine will send the fax using the **Fine** setting.

Dual access (Black & White only)

You can dial a number and start scanning the fax into memory—even when the machine is sending from memory, receiving faxes or printing PC data. The LCD shows the new job number and available memory.

The number of pages you can scan into the memory will vary depending on the data that is printed on them.

**Note**


If the **Out of Memory** message appears while scanning documents, press **Stop/Exit** to cancel or **Black Start** to send the scanned pages.

Real time transmission

When you are sending a fax, the machine will scan the documents into the memory before sending. Then, as soon as the telephone line is free, the machine will start dialing and sending.

If the memory is full or you are sending a color fax, the machine will send the document in real time (even if **Real Time TX** is set to **Off**).

Sometimes, you may want to send an important document immediately, without waiting for memory transmission. You can turn on **Real Time TX**.


- 1 Press  (**Fax**).
- 2 Press **▲** or **▼** to choose **Real Time TX**. Press **OK**.
- 3 Press **▲** or **▼** to choose **On**. Press **OK**.

**Note**

In real time transmission, the automatic redial feature does not work when using the scanner glass.


Overseas Mode

If you are having difficulty sending a fax overseas due to possible interference on the telephone line, we recommend that you turn on the Overseas mode. After you send a fax using this feature, the feature will turn itself off.

- 1 Press  (Fax).
- 2 Load your document.
- 3 Press ▲ or ▼ to choose Overseas Mode.
Press **OK**.
- 4 Press ▲ or ▼ to choose On (or Off).
Press **OK**.

Delayed Faxing (Black & White only)

During the day you can store up to 50 faxes in the memory to be sent within 24-hours. These faxes will be sent at the time of day you enter in step 5.

- 1 Press  (Fax).
- 2 Load your document.
- 3 Press ▲ or ▼ to choose Delayed Fax.
Press **OK**.
- 4 Press ▲ or ▼ to choose On.
Press **OK**.
- 5 Enter the time you want the fax to be sent (in 24-hour format).
(For example, enter 19:45 for 7:45 PM.)
Press **OK**.




Note

The number of pages you can scan into the memory depends on the amount of data that is printed on each page.

Delayed Batch Transmission (Black & White only)

Before sending the delayed faxes, your machine will help you economize by sorting all the faxes in the memory by destination and scheduled time. All delayed faxes that are scheduled to be sent at the same time to the same fax number will be sent as one fax to save transmission time.

- 1 Press  (Fax).
- 2 Press ▲ or ▼ to choose Batch TX.
Press **OK**.
- 3 Press ▲ or ▼ to choose On.
Press **OK**.
- 4 Press **Stop/Exit**.


Checking and canceling waiting jobs

You can check which jobs are still waiting in the memory to be sent and cancel a job. (If there are no jobs, the LCD shows No Jobs Waiting.)

- 1 Press **Menu**.
- 2 Press ▲ or ▼ to choose Fax.
Press **OK**.
- 3 Press ▲ or ▼ to choose Remaining Jobs.
Press **OK**.
Any waiting jobs appear on the LCD.
- 4 Press ▲ or ▼ to scroll through the jobs and choose the job you want to cancel.
Press **OK**.
- 5 Do one of the following:
 - To cancel, press **1** to choose Yes.
If you want to cancel another job go to step 4.
 - To exit without canceling, press **2** to choose No.
- 6 When you have finished, press **Stop/Exit**.


Setting your changes as the new default

You can save the fax settings for Fax Resolution, Contrast, Real Time TX and Scan Size you use most often by setting them the default setting. These settings will stay until you change them again.

- 1 Press  (**Fax**).
- 2 Press ▲ or ▼ to choose your new setting. Press **OK**. Repeat this step for each setting you want to change.
- 3 After changing the last setting, press ▲ or ▼ to choose `Set New Default`. Press **OK**.
- 4 Press **1** to choose `Yes`.
- 5 Press **Stop/Exit**.


Restoring all settings to the factory settings

You can restore all the settings you have changed to the factory settings. These settings will stay until you change them again.

- 1 Press  (**Fax**).
- 2 Press ▲ or ▼ to choose `Factory Reset`. Press **OK**.
- 3 Press **1** to choose `Yes`.
- 4 Press **Stop/Exit**.

Sending a fax manually

Manual transmission lets you hear the dialing, ringing and fax-receiving tones while sending a fax.

- 1 Press  (**Fax**).
- 2 Load your document.
- 3 To listen for a dial tone press **Hook** or pick up the handset of an external telephone.
- 4 Dial the fax number.
- 5 When you hear the fax tone, press **Black Start** or **Color Start**. If you are using the scanner glass press **1** to send a fax.
- 6 If you picked up the handset of an external telephone, replace it.

Sending a fax at the end of a conversation

At the end of a conversation you can send a fax to the other party before you both hang up.

- 1 Ask the other party to wait for fax tones (beeps) and then to press the **Start** or **Send** key before hanging up.
- 2 Load your document.
- 3 Press **Black Start** or **Color Start**.
 - If you are using the scanner glass, press **1** to send a fax.
- 4 Replace the handset of the external phone.

Out of Memory message

If you get an **Out of Memory** message while scanning the first page of a fax, press **Stop/Exit** to cancel the fax.

If you get an **Out of Memory** message while scanning a subsequent page, you will have the option to press **Black Start** to send the pages scanned so far, or to press **Stop/Exit** to cancel the operation.



Note

If you get an **Out of Memory** message while faxing and you do not want to delete your stored faxes to clear the memory, you can send the fax in real time. (See *Real time transmission* on page 34.)

6

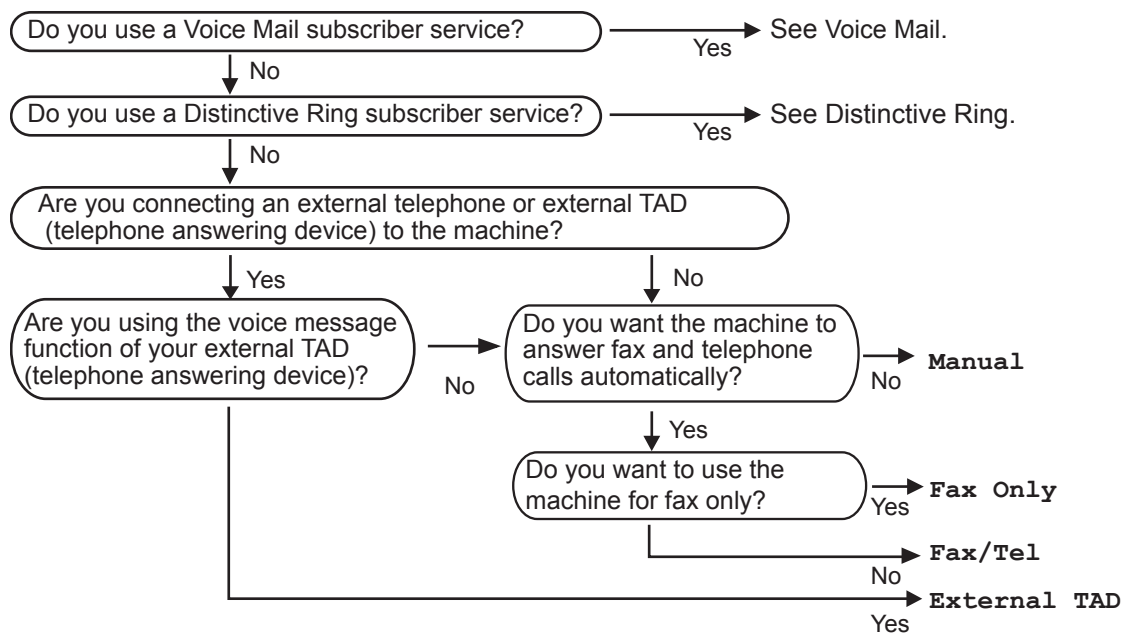
Receiving a Fax

Receive modes

You must choose the receive mode depending on the external devices and telephone subscriber services you have on your line. The diagrams below will help you choose the correct mode. For more detailed information about the receive modes, see *Using receive modes* on page 39.

Choosing the Receive Mode

If you are using a Voice Mail or Distinctive Ring subscriber service from your telephone company, see *Voice Mail* on page 44 or *Distinctive Ring* on page 45.



To set a receive mode follow the instructions below.

- 1 Press **Menu**.
- 2 Press **▲** or **▼** to choose **Initial Setup**. Press **OK**.
- 3 Press **▲** or **▼** to choose **Receive Mode**. Press **OK**.
- 4 Press **▲** or **▼** to choose **Fax Only**, **Fax/Tel**, **External TAD** Or **Manual**. Press **OK**.
- 5 Press **Stop/Exit**.

The LCD will display the current receive mode.

Using receive modes

Some receive modes answer automatically (**Fax Only** and **Fax/Tel**). You may want to change the ring delay before using these modes. See *Ring Delay* on page 40.

Fax only

Fax only mode will automatically answer every call as a fax call.

Fax/Tel

Fax/Tel mode helps you automatically manage incoming calls, by recognising whether they are fax or voice calls and handling them in one of the following ways:

- Faxes will be automatically received.
- Voice calls will start the F/T ring to tell you to pick up the line. The F/T ring is a fast F/T pseudo/double-ring made by your machine.

Also see *F/T Ring Time (Fax/Tel mode only)* on page 40 and *Ring Delay* on page 40.

Manual

Manual mode turns off all automatic answering functions unless you are using the Distinctive Ring feature.

To receive a fax in manual mode lift the handset of an external telephone or press **Hook**. When you hear fax tones (short repeating beeps), press **Black Start** or **Color Start**. You can also use the Easy Receive feature to receive faxes by lifting a handset on the same line as the machine.

Also see *Easy Receive* on page 41.

External TAD

External TAD mode lets an external answering device manage your incoming calls. Incoming calls will be handled in one of the following ways:

- Faxes will be automatically received.
- Voice callers can record a message on the external TAD.

For more information see *Connecting an external TAD (telephone answering device)* on page 49.

Receive mode settings

Ring Delay

The Ring Delay sets the number of times the machine rings before it answers in **Fax Only** or **Fax/Tel** mode. If you have external or extension telephones on the same line as the machine or subscribe to the telephone company's Distinctive Ring service, keep the ring delay setting of 4.

(See *Using external and extension telephones* on page 52 and *Easy Receive* on page 41.)

- 1 Press **Menu**.
- 2 Press **▲** or **▼** to choose **Fax**. Press **OK**.
- 3 Press **▲** or **▼** to choose **Setup Receive**. Press **OK**.
- 4 Press **▲** or **▼** to choose **Ring Delay**. Press **OK**.
- 5 Press **▲** or **▼** to choose how many times the line rings before the machine answers (0-4). Press **OK**.
If you choose 0, the line will not ring at all.
- 6 Press **Stop/Exit**.

F/T Ring Time (Fax/Tel mode only)

If you set the Receive Mode to **Fax/Tel**, you need to decide how long the machine will signal you with its special pseudo/double-ring when you have a voice call. If it's a fax call, the machine receives the fax.

This pseudo/double-ring happens after the initial ringing from the telephone company. Only the machine rings and no other telephones on the same line will ring with the special pseudo/double-ring. However, you can still answer the call on any telephone on the same line as the machine. (See *Using external and extension telephones* on page 52.)

- 1 Press **Menu**.
- 2 Press **▲** or **▼** to choose **Fax**. Press **OK**.
- 3 Press **▲** or **▼** to choose **Setup Receive**. Press **OK**.
- 4 Press **▲** or **▼** to choose **F/T Ring Time**. Press **OK**.
- 5 Press **▲** or **▼** to choose how long the machine will ring to alert you that you have a voice call (20, 30, 40 or 70 seconds). Press **OK**.
- 6 Press **Stop/Exit**.



Note

Even if the caller hangs up during the pseudo/double-ringing, the machine will continue to ring for the set time.

Easy Receive

If Easy Receive is On:

The machine receives a fax call automatically, even if you answer the call. When you see *Receiving* on the LCD or when you hear “chirps” through the handset you are using, just replace the handset. Your machine will do the rest.

If Easy Receive is Off:

If you are at the machine and answer a call first by lifting a handset, then press **Black Start** or **Color Start**, and then press **2** to receive.

If you answered at an extension telephone press * **5 1**. (See *Using external and extension telephones* on page 52.)



Note

- If this feature is set to *On*, but your machine does not connect a fax call when you lift an extension or external telephone handset, press the fax receive code * **5 1**.
- If you send faxes from a computer on the same telephone line and the machine intercepts them, set Easy Receive to *Off*.

- 1 Press **Menu**.
- 2 Press **▲** or **▼** to choose *Fax*. Press **OK**.
- 3 Press **▲** or **▼** to choose *Setup Receive*. Press **OK**.
- 4 Press **▲** or **▼** to choose *Easy Receive*. Press **OK**.
- 5 Press **▲** or **▼** to choose *On* (or *Off*). Press **OK**.
- 6 Press **Stop/Exit**.

Additional receiving operations

Printing a reduced incoming fax

If you choose *On*, the machine automatically reduces each page of an incoming fax to fit on one page of A4, Letter, Legal size paper. The machine calculates the reduction ratio by using the page size of the fax and your *Paper Size* setting. (See *Paper Size* on page 22.)

- 1 Press **Menu**.
- 2 Press **▲** or **▼** to choose *Fax*. Press **OK**.
- 3 Press **▲** or **▼** to choose *Setup Receive*. Press **OK**.
- 4 Press **▲** or **▼** to choose *Auto Reduction*. Press **OK**.
- 5 Press **▲** or **▼** to choose *On* (or *Off*). Press **OK**.
- 6 Press **Stop/Exit**.

Receiving a fax at the end of a conversation

At the end of a conversation you can ask the other party to fax you information before you both hang up.

- 1 Ask the other party to place the document in their machine and to press the Start or Send key.
- 2 When you hear the other machine's CNG tones (slowly repeating beeps), press **Black Start** or **Color Start**.
- 3 Press **2** to receive a fax.
- 4 Replace the handset of the external telephone.

Printing a fax from the memory

If you have chosen paging or fax storage, you can still print a fax from the memory when you are at your machine.

- 1 Press **Menu**.
- 2 Press **▲** or **▼** to choose `Fax`. Press **OK**.
- 3 Press **▲** or **▼** to choose `Advanced Fax Operation`. Press **OK**.
- 4 Press **▲** or **▼** to choose `Print Fax`. Press **OK**.
- 5 Press **Black Start**.



Note

When you print a fax from the memory, the fax data will be erased.

Voice operations

Voice calls can be made either with an external telephone, by dialing manually, or by using Quick Dial numbers.

Tone or Pulse (Canada only)

If you have a Pulse dialing service, but need to send Tone signals (for example, for telephone banking), follow the instructions below:

- 1 Pick up the handset of an external telephone or press **Hook**.
- 2 Press **#** on the machine's control panel. Any digits dialed after this will send tone signals.

When you hang up, the machine will return to the Pulse dialing service.

Fax/Tel mode when the power key is on

When the machine is in Fax/Tel mode, it will use the F/T Ring Time (pseudo/double-ringing) to alert you to pick up a voice call.

If you are at an extension telephone, you'll need to lift the handset during the F/T Ring Time and then press **# 5 1** between the pseudo/double-rings. If no one is on the line, or if someone wants to send you a fax, send the call back to the machine by pressing *** 5 1**.

Lift the external telephone's handset, and then press **Hook** to answer.

Fax/Tel mode when the power key is off

You can change the default setting of the **On/Off** key to **Fax Receive:On** so that you can receive faxes when the power key is off. (See *On/Off setting* on page 20.) Fax/Tel mode will work in the following way.

Fax/Tel mode does not work when the power key is off. The machine will not answer telephone or fax calls and will keep ringing. If you are at an external or extension telephone, lift the handset and talk. If you hear fax tones, hold the handset until Easy Receive activates your machine. If the other party says they want to send you a fax, activate the machine by pressing *** 5 1**.

Telephone services

Your machine supports the Caller ID and Distinctive Ring subscriber telephone services that some telephone companies offer.

Features like Voice Mail, Call Waiting, Call Waiting/Caller ID, RingMaster, answering services, alarm systems or other custom features on one telephone line may affect the way your machine works. If you have Voice Mail on your telephone line, please read the following carefully.

Voice Mail

If you have Voice Mail on the same telephone line as your Brother machine, Voice Mail and the Brother machine will conflict with each other when receiving incoming calls.

For example, if your Voice Mail is set to answer after 4 rings and your Brother machine is set to answer after 2 rings, then your Brother machine will answer first. This will prevent callers from being able to leave a message in your Voice Mail.

Similarly, if your Brother machine is set to answer after 4 rings and your Voice Mail is set to answer after 2 rings, then your Voice Mail will answer first. This will prevent your Brother machine from being able to receive an incoming fax, since Voice Mail cannot transfer the incoming fax back to the Brother machine.

To avoid conflicts between your Brother machine and your voice mail service, do one of the following:

Get the Distinctive Ring service from your telephone company. Distinctive Ring is a feature of your Brother machine that allows a person with one line to receive fax and voice calls through two different phone numbers on that one line. Brother uses the term 'Distinctive Ring,' but telephone companies market the service under a variety of names, such as Custom Ringing, Personalized Ring, Smart Ring, RingMaster, Ident-A-Ring, Ident-A-Call, Data Ident-A-Call, Teen Ring, and SimpleBiz Fax & Alternate Number Ringing. This service establishes a second telephone number on the same line as your existing telephone number, and each number has its own ring pattern. Typically, the original number rings with the standard ring pattern and is used for receiving voice calls, and the second number rings with a different ring pattern and is used for receiving faxes. (See *Distinctive Ring* on page 45.)

OR

Set your Brother machine's Receive Mode to "Manual." Manual Mode requires that you answer every incoming call if you want to be able to receive a fax. If the incoming call is a telephone call, then complete the call as you normally would. If you hear fax sending tones you must transfer the call to the Brother machine by pressing * 5 1 on the dial pad of the telephone. Unanswered fax and voice calls will go to your Voice Mail. (To set the machine in **MANUAL** Mode, see *Choosing the Receive Mode* on page 38.)

Distinctive Ring

Brother uses the term 'Distinctive Ring' but different telephone companies have other names for this service such as Smart Ring, RingMaster, Teen Ring, Custom Ringing, Personalized Ring, Data Ident-A-Call, Ident-A-Call, Ident-A-Ring or SimpleBiz Fax & Alternate Number Ringing.

What does your telephone company's 'Distinctive Ring' do?

Your telephone company's Distinctive Ring service allows you to have more than one number on the same telephone line. **If you need more than one telephone number, it is cheaper than paying for an extra line.** Each telephone number has its own distinctive ring pattern, so you will know which telephone number is ringing. This is one way you can have a separate telephone number for your machine.



Note

Please call your telephone company for availability and rates.

What does Brother's 'Distinctive Ring' do?

The Brother machine has a Distinctive Ring feature that allows you to use your machine to take full advantage of the telephone company's Distinctive Ring service. The new telephone number on your line can just receive faxes.



Note

You must pay for your telephone company's Distinctive Ring service before you program the machine to work with it.

Do you have Voice Mail?

If you have Voice Mail on the telephone line that you will install your new machine on, *there is a strong possibility that Voice Mail and the machine will conflict with each other while receiving incoming calls.* **However, the Distinctive Ring feature allows you to use more than one number on your line, so both Voice Mail and the machine can work together without any problems.** If each one has a separate telephone number, neither will interfere with the other's operations.

If you decide to get the Distinctive Ring service from the telephone company, you will need to follow the directions on next page to 'register' the new Distinctive Ring pattern they give you. This is so your machine can recognize its incoming calls.







Note

You can change or cancel the Distinctive Ring pattern at any time. You can switch it off temporarily, and turn it back on later. When you get a new fax number, make sure you reset this feature.

Before you choose the ring pattern to register

You can only register one Distinctive Ring pattern with the machine. Some ring patterns cannot be registered. The ring patterns below are supported by your Brother machine. Register the one your telephone company gives you.

Ring Pattern	Rings	
1	long-long	
2	short-long-short	
3	short-short-long	
4	very long (normal pattern)	

**Note**

Ring Pattern #1 is often called short-short and is the most commonly used. If the ring pattern you received is not on this chart, **please call your telephone company and ask for one that is shown.**

- The machine will only answer calls to its registered number.
- The first two rings are silent on the machine. This is because the fax must 'listen' to the ring pattern (to compare it to the pattern that was 'registered'). (Other telephones on the same line will ring.)
- If you program the machine properly, it will recognize the registered ring pattern of the 'fax number' within 2 ring patterns and then answer with a fax tone. When the 'voice number' is called, the machine will not answer.

Registering the Distinctive Ring pattern

After you have set the Distinctive Ring feature to on, the receive mode is set to *Manual* automatically. You cannot change the receive mode to another mode while the Distinctive Ring is set to on.

- 1 Press **Menu**.
- 2 Press **▲** or **▼** to choose *Fax*. Press **OK**.
- 3 Press **▲** or **▼** to choose *Miscellaneous*. Press **OK**.
- 4 Press **▲** or **▼** to choose *Distinctive*. Press **OK**.
- 5 Press **▲** or **▼** to choose *Set*. Press **OK**.

- 6 Press **▲** or **▼** to choose the stored ring pattern you want to use. Press **OK**. (You hear each pattern as you scroll through the four patterns. Make sure you choose the pattern that the telephone company gave you.)
- 7 Press **Stop/Exit**. Distinctive Ring is now set to on.

Turning off Distinctive Ring

- 1 Press **Menu**.
- 2 Press **▲** or **▼** to choose *Fax*. Press **OK**.
- 3 Press **▲** or **▼** to choose *Miscellaneous*. Press **OK**.
- 4 Press **▲** or **▼** to choose *Distinctive*. Press **OK**.
- 5 Press **▲** or **▼** to choose *Off*. Press **OK**.
- 6 Press **Stop/Exit**.

**Note**

If you turn off Distinctive Ring, the machine will stay in *Manual* receive mode. You will need to set the Receive Mode again. (See *Choosing the Receive Mode* on page 38.)

Caller ID

The Caller ID feature lets you use the Caller ID subscriber service offered by many local telephone companies. Call your telephone company for details. This service shows the telephone number, or name if it is available, of your caller as the line rings.

After a few rings, the LCD shows the telephone number of your caller (and name, if available). Once you answer a call, the Caller ID information disappears from the LCD, but the call information stays stored in the Caller ID memory.

- You can see the first 15 characters of the number (or name).
- The `Unavailable` message means the call originated outside your Caller ID service area.
- The `PrivateCall` message means the caller has intentionally blocked transmission of information.

You can print a list of the Caller ID information received by your machine. (See *Printing the Caller ID List* on page 48.)



Note

- This feature may not be available in certain areas of the USA and Canada.
 - The Caller ID service varies with different carriers. Call your local telephone company to find out about the kind of service available in your area.
-

Setting up your area code (USA only)

When returning calls from the caller ID history your machine will automatically dial "1" plus the area code for all calls. If your local dialing plan requires that the "1" not be used for calls within your area code enter your area code in this setting. With the area code setting, calls returned from the caller ID history to your area code will be dialed using 10 digits (area code + 7-digit number). If your dialing plan does not follow the standard 1 + area code + 7-digit number dialing system for calling outside your area code, you may experience problems returning calls automatically from the caller ID history. If this is not the procedure followed by your dialing plan, you will not be able to return calls automatically.

- 1 Press **Menu**.
- 2 Press **▲** or **▼** to choose `Fax`. Press **OK**.
- 3 Press **▲** or **▼** to choose `Miscellaneous`. Press **OK**.
- 4 Press **▲** or **▼** to choose `Caller ID`. Press **OK**.
- 5 Press **▲** or **▼** to choose `Area Code`. Press **OK**.
- 6 Use the dial pad to enter your area code. Press **OK**.
- 7 Press **Stop/Exit**.


Viewing the Caller ID List

Your machine stores information for the last thirty calls in the Caller ID list. You can view or print this list. When the thirty-first call comes in to the machine, it replaces information about the first call.

- 1 Press **Menu**.
- 2 Press **▲** or **▼** to choose **Fax**. Press **OK**.
- 3 Press **▲** or **▼** to choose **Miscellaneous**. Press **OK**.
- 4 Press **▲** or **▼** to choose **Caller ID**. Press **OK**.
- 5 Press **▲** or **▼** to choose **Display#**. Press **OK**.
The Caller ID list will appear on the display. If no ID is stored, the beeper will sound and **No Caller ID** will appear on the display.
- 6 Press **▲** or **▼** to scroll through the Caller ID memory to view the Caller ID information.
The LCD shows the caller's number or name and the date and time of the call.
- 7 To finish viewing, press **Stop/Exit**.



Note

You can also view the Caller ID list by pressing  (**Fax**). (See *Caller ID history* on page 55.)

Printing the Caller ID List

- 1 Press **Menu**.
- 2 Press **▲** or **▼** to choose **Fax**. Press **OK**.
- 3 Press **▲** or **▼** to choose **Miscellaneous**. Press **OK**.
- 4 Press **▲** or **▼** to choose **Caller ID**. Press **OK**.
- 5 Press **▲** or **▼** to choose **Print Report**. Press **OK**.
If no ID is stored, the beeper will sound and **No Caller ID** will appear on the LCD.
- 6 Press **Black Start** or **Color Start**.
- 7 After printing has finished, press **Stop/Exit**.

Connecting an external TAD (telephone answering device)

You may choose to connect an external answering device. However, when you have an **external** TAD on the same telephone line as the machine, the TAD answers all calls and the machine "listens" for fax calling (CNG) tones. If it hears them, the machine takes over the call and receives the fax. If it does not hear CNG tones, the machine lets the TAD continue playing your outgoing message so your caller can leave you a voice message.

The TAD must answer within four rings (the recommended setting is two rings). The machine cannot hear CNG tones until the TAD has answered the call, and with four rings there are only 8 to 10 seconds of CNG tones left for the fax 'handshake'. Make sure you carefully follow the instructions in this guide for recording your outgoing message. We do not recommend using the toll saver feature on your external answering machine if it exceeds five rings.

Note

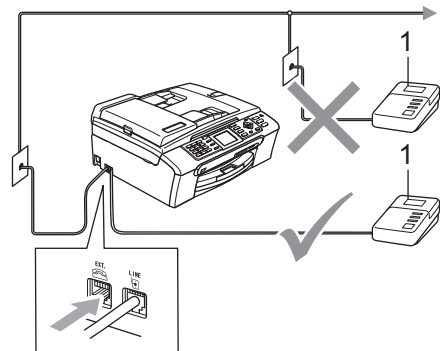
- If you do not receive all your faxes, shorten the Ring Delay setting on your external TAD.

- If You Subscribe to your Telephone company's Distinctive Ring Service:

You may connect an external TAD to a separate wall jack only if you subscribe to your telephone company's Distinctive Ring service, have registered the distinctive ring pattern on your machine, and use that number as a fax number. The recommended setting is at least four rings on the external TAD when you have the telephone company's Distinctive Ring Service. You cannot use the Toll Saver setting.

- If You Do Not Subscribe to Distinctive Ring Service:

You must plug your TAD into the EXT. jack of your machine. If your TAD is plugged into a wall jack, both your machine and the TAD will try to control the telephone line. (See the illustration below.)



1 TAD

When the TAD answers a call, the LCD shows Telephone.

Connections

The external TAD must be plugged into the jack labeled EXT. Your machine cannot work properly if you plug the TAD into a wall jack (unless you are using Distinctive Ring).

- 1 Plug the telephone line cord from the telephone wall jack into the jack labeled LINE.
- 2 Plug the telephone line cord from the external TAD into the jack labeled EXT. (Make sure this cord is connected to the TAD at the TAD's telephone line jack, and not its handset jack.)
- 3 Set your external TAD to four rings or less. (The machine's Ring Delay setting does not apply.)
- 4 Record the outgoing message on your external TAD.
- 5 Set the TAD to answer calls.
- 6 Set the Receive Mode to *External TAD*. (See *Choosing the Receive Mode* on page 38.)

Recording outgoing message (OGM) on an external TAD

Timing is important in recording this message. The message sets up the ways to handle both manual and automatic fax reception.

- 1 Record 5 seconds of silence at the beginning of your message. (This allows your machine time to listen for the fax CNG tones of automatic transmissions before they stop.)
- 2 Limit your speaking to 20 seconds.

- 3 End your 20-second message by giving your Fax Receive Code for people sending manual faxes. For example: 'After the beep, leave a message or send a fax by pressing * 5 1 and **Start**.'



Note

We recommend beginning your OGM with an initial 5-second silence because the machine cannot hear fax tones over a resonant or loud voice. You may try omitting this pause, but if your machine has trouble receiving, then you must re-record the OGM to include it.

Special line considerations

Roll over telephone lines

A roll over telephone system is a group of two or more separate telephone lines that pass incoming calls to each other if they are busy. The calls are usually passed down or 'rolled over' to the next available telephone line in a preset order.

Your machine can work in a roll over system as long as it is the last number in the sequence, so the call cannot roll away. Do not put the machine on any of the other numbers; when the other lines are busy and a second fax call is received, the fax call will be sent to a line that does not have a fax machine. **Your machine will work best on a dedicated line.**

Two-line telephone system

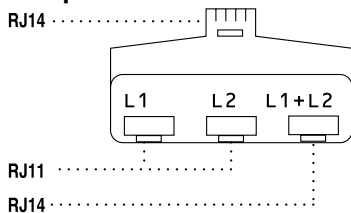
A two-line telephone system is nothing more than two separate telephone numbers on the same wall outlet. The two telephone numbers can be on separate jacks (RJ11) or mixed into one jack (RJ14). Your machine must be plugged into an RJ11 jack. RJ11 and RJ14 jacks may be equal in size and appearance and both may contain four wires (black, red, green, yellow). To test the type of jack, plug in a two-line telephone and see if it can access both lines. If it can, you must separate the line for your machine. (See page 41.)

Converting telephone wall outlets

There are three ways to convert to an RJ11 jack. The first two ways may require help from the telephone company. You can change the wall outlets from one RJ14 jack to two RJ11 jacks. Or you can have an RJ11 wall outlet installed and slave or jump one of the telephone numbers to it.

The third way is the easiest: Buy a triplex adapter. You can plug a triplex adapter into an RJ14 outlet. It separates the wires into two separate RJ11 jacks (Line 1, Line 2) and a third RJ14 jack (Lines 1 and 2). If your machine is on Line 1, plug the machine into L1 of the triplex adapter. If your machine is on Line 2, plug it into L2 of the triplex adapter.

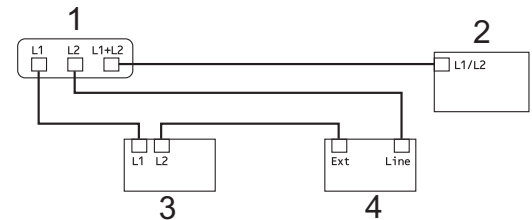
Triplex Adapter



Installing machine, external two-line TAD and two-line telephone

When you are installing an external two-line telephone answering device (TAD) and a two-line telephone, your machine must be isolated on one line at both the wall jack and at the TAD. The most common connection is to put the machine on Line 2, which is explained in the following steps. The back of the two-line TAD must have two telephone jacks: one labeled L1 or L1/L2, and the other labeled L2. You will need at least three telephone line cords, the one that came with your machine and two for your external two-line TAD. You will need a fourth line cord if you add a two-line telephone.

- 1 Put the two-line TAD and the two-line telephone next to your machine.
- 2 Plug one end of the telephone line cord for your machine into the L2 jack of the triplex adapter. Plug the other end into the LINE jack on the back of the machine.
- 3 Plug one end of the first telephone line cord for your TAD into the L1 jack of the triplex adapter. Plug the other end into the L1 or L1/L2 jack of the two-line TAD.
- 4 Plug one end of the second telephone line cord for your TAD into the L2 jack of the two-line TAD. Plug the other end into the EXT. jack on the left side of the machine.



- 1 Triplex Adapter
- 2 Two Line Telephone
- 3 External Two Line TAD
- 4 Machine

You can keep two-line telephones on other wall outlets as always. There are two ways to add a two-line telephone to the machine's wall outlet. You can plug the telephone line cord from the two-line telephone into the L1+L2 jack of the triplex adapter. Or you can plug the two-line telephone into the TEL jack of the two-line TAD.

Multi-line connections (PBX)

We suggest you ask the company who installed your PBX to connect your machine. If you have a multi line system we suggest you ask the installer to connect the unit to the last line on the system. This prevents the machine being activated each time the system receives telephone calls. If all incoming calls will be answered by a switchboard operator we recommend that you set the Receive Mode to *Manual*.

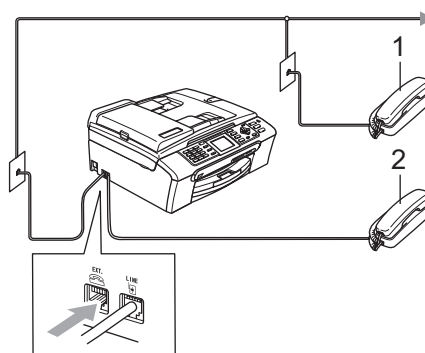
We cannot guarantee that your machine will operate properly under all circumstances when connected to a PBX. Any difficulties with sending or receiving faxes should be reported first to the company who handles your PBX.

External and extension telephones

Connecting an external or extension telephone

You can connect a separate telephone or telephone answering device directly to your machine as shown in the diagram below.

Connect the telephone line cord to the jack labeled *EXT.*



1 Extension telephone

2 External telephone

When you are using an external or extension telephone, the LCD shows *Telephone*.

Using external and extension telephones

If you answer a fax call on an extension or an external telephone connected to the *EXT.* jack of the machine, you can make your machine take the call by using the Fax Receive Code. When you press the Fax Receive Code * **5 1**, the machine starts to receive the fax.

If the machine answers a voice call and pseudo/double-rings for you to take over, use the Telephone Answer Code **# 5 1** to take the call at an extension telephone. (See *F/T Ring Time (Fax/Tel mode only)* on page 40.)

If you answer a call and no one is on the line:

You should assume that you're receiving a manual fax.

Press * **5 1** and wait for the chirp or until the LCD shows *Receiving*, and then hang up.



Note

You can also use the Easy Receive feature to make your machine automatically take the call. (See *Easy Receive* on page 41.)

Using a Non-Brother cordless external telephone

If your non-Brother cordless telephone is connected to the EXT. jack of the machine and you typically carry the cordless handset elsewhere, it is easier to answer calls during the Ring Delay.

If you let the machine answer first, you will have to go to the machine so you can press **Hook** to send the call to the cordless handset.

Using remote codes

Fax Receive code

If you answer a fax call on an extension or external telephone, you can tell your machine to receive it by dialing the Fax Receive Code * **5 1**. Wait for the chirping sounds then replace the handset. See *Easy Receive* on page 41. Your caller will have to press **Start** to send the fax.

Telephone Answer code

If you receive a voice call and the machine is in F/T mode, it will start to sound the F/T (double) ring after the initial ring delay. If you pick up the call on an extension telephone you can turn the F/T ring off by pressing # **5 1** (make sure you press this *between* the rings).

Changing the remote codes

The preset Fax Receive Code is * **5 1**. The preset Telephone Answer Code is # **5 1**. If you want to, you can replace them with your own codes.

- 1 Press **Menu**.
- 2 Press **▲** or **▼** to choose *Fax*. Press **OK**.
- 3 Press **▲** or **▼** to choose *Setup Receive*. Press **OK**.
- 4 Press **▲** or **▼** to choose *Remote Codes*. Press **OK**.
- 5 Press **▲** or **▼** to choose *On (or Off)*. Press **OK**.
- 6 Enter the new Fax Receive Code. Press **OK**.
- 7 Enter the new Telephone Answer Code. Press **OK**.
- 8 Press **Stop/Exit**.



Note

- If you are always disconnected when accessing your external TAD remotely, try changing the Fax Receive Code and Telephone Answer Code to another three-digit code (such as ### and 999).
- Remote Codes might not work with some telephone systems.

8

Dialing and storing numbers

How to Dial

Manual dialing

Press all of the digits of the fax or telephone number.




Speed Dialing

- 1 Press **Speed Dial**.

Speed Dial



You can also choose **Speed Dial** by pressing  (**Fax**).

- 2 Press **▲** or **▼** to choose **Search**. Press **OK**.
- 3 Press the two-digit **Speed Dial** number. (See *Storing Speed Dial numbers* on page 56.)
- 4 If you have two numbers in the location, press **▲** or **▼** to choose the number you want to call. Press **OK**.




Note

If the LCD shows **Not Registered** when you enter or search a **Speed Dial** number, a number has not been stored at this location.

Search

You can search for names you have stored in the **Speed Dial** memory.

- 1 Press **Speed Dial**. You can also choose **Speed Dial** by pressing  (**Fax**).
- 2 Press **▲** or **▼** to choose **Search**. Press **OK**.
- 3 Press **▲** or **▼** to choose **Alphabetical Order** or **Numerical Order**. Press **OK**.



Note

- Press ***** to make the LCD font size larger.
 - Press **#** to make the LCD font size smaller.
- 4 If you chose **Alphabetical Order** in step 3, use the dial pad to enter the first letter of the name, and then press **▲** or **▼** to choose the name and number you want to call. Press **OK**.

Fax Redial

If you are sending a fax manually and the line is busy, press **Redial/Pause**, and then press **Black Start** or **Color Start** to try again. If you want to make a second call to a number you recently dialed, you can press **Redial/Pause** and choose one of the last 30 numbers from the Outgoing Call List.

Redial/Pause only works if you dialed from the control panel. *If you are sending a fax automatically* and the line is busy, the machine will automatically redial once after five minutes.

- 1 Press **Redial/Pause**.
- 2 Press **▲** or **▼** to choose the number you want to redial.
Press **OK**.
- 3 Press **▲** or **▼** to choose *Send a fax*.
Press **OK**.
- 4 Press **Black Start** or **Color Start**.




Note

In Real Time Transmission the automatic redial feature does not work when using the scanner glass.

Outgoing Call

The last 30 numbers you sent a fax to will be stored in the outgoing call history. You can choose one of these numbers to fax to, add to Speed Dial, or delete from the history.


- 1 Press **Redial/Pause**.
You can also choose *Outgoing Call* by pressing  (**Fax**).
- 2 Press **▲** or **▼** to choose the number you want to call.
Press **OK**.

- 3 Do one of the following:
 - To send a fax, press **▲** or **▼** to choose *Send a fax*.
Press **OK**.
Press **Black Start** or **Color Start**.
 - If you want to store the number, press **▲** or **▼** to choose *Add to Speed Dial*.
Press **OK**.
(See *Storing Speed Dial numbers from Outgoing Calls* on page 57.)
 - Press **▲** or **▼** to choose *Delete*.
Press **OK**.
Press **1** to confirm.
- 4 Press **Stop/Exit**.

Caller ID history

This feature requires the Caller ID subscriber service offered by many local telephone companies. (See *Caller ID* on page 47.)

The last 30 numbers of faxes you received will be stored in the Caller ID history. You can choose one of these numbers to fax to, add to Speed Dial, or delete from the history.

- 1 Press  (**Fax**).
- 2 Press **▲** or **▼** to choose *Caller ID hist..*
Press **OK**.
- 3 Press **▲** or **▼** to choose the number you want to call.
Press **OK**.

- 4 Do one of the following:
- To send a fax, press ▲ or ▼ to choose *Send a fax*.
Press **OK**.
Press **Black Start** or **Color Start**.
 - If you want to store the number, press ▲ or ▼ to choose *Add to Speed Dial*.
Press **OK**.
(See *Storing Speed Dial numbers from Outgoing Calls* on page 57.)
 - Press ▲ or ▼ to choose *Delete*.
Press **OK**.
Press **1** to confirm.

- 5 Press **Stop/Exit**.



Note

- (USA only) If you redial from the Caller ID history outside your area code, you must set up your AREA CODE in advance. (See *Setting up your area code (USA only)* on page 47.)
- You can print the Caller ID list. (See *Printing the Caller ID List* on page 48.)

Storing numbers

You can set up your machine to do the following types of easy dialing: Speed Dial and Groups for broadcasting faxes. When you dial a Quick Dial number, the LCD shows the name, if you stored it, or the number.



Note

If you lose electrical power, the Quick Dial numbers that are in the memory will not be lost.

Storing a pause

Press **Redial/Pause** to put a 3.5-second pause between numbers. If you are dialing overseas, you can press **Redial/Pause** as many times as needed to increase the length of the pause.

Storing Speed Dial numbers


You can store up to 80 2-digit Speed Dial locations with a name, and each name can have two numbers. When you dial you will only have to press a few keys (For example: **Speed Dial**, *Search*, **OK**, the two-digit number, and **Black Start** or **Color Start**).

- 1 Press **Speed Dial**.
- 2 Press ▲ or ▼ to choose *Set Speed Dial*.
Press **OK**.
- 3 Press ▲ or ▼ to choose the 2-digit Speed Dial location you want to store the number in.
Press **OK**.

- 4 Do one of the following:
 - Enter the name (up to 16 characters) using the dial pad.
Press **OK**.
(To help you enter letters, see *Entering Text* on page 153.)
 - To store the number without a name, press **OK**.
- 5 Enter the fax or telephone number (up to 20 digits).
Press **OK**.
- 6 Do one of the following:
 - Enter the second fax or telephone number (up to 20 digits).
Press **OK**.
 - If you do not want to store a second number, press **OK**.
- 7 Do one of the following:
 - To store another Speed Dial number, go to step 3.
 - To finish the setting, press **Stop/Exit**.

Storing Speed Dial numbers from Outgoing Calls


You can also store Speed Dial numbers from the Outgoing Call history.

- 1 Press **Redial/Pause**.
You can also choose *Outgoing Call* by pressing  (**Fax**).
- 2 Press **▲** or **▼** to choose the name or number you want to store.
Press **OK**.
- 3 Press **▲** or **▼** to choose *Add to Speed Dial*.
Press **OK**.
- 4 Press **▲** or **▼** to choose the 2-digit Speed Dial location you want to store the number in.
Press **OK**.

- 5 Do one of the following:
 - Enter the name (up to 16 characters) using the dial pad.
Press **OK**.
(To help you enter letters, see *Entering Text* on page 153.)
 - To store the number without a name, press **OK**.
- 6 Press **OK** to confirm the fax or telephone number.
- 7 Do one of the following:
 - Enter the second fax or telephone number (up to 20 digits).
Press **OK**.
 - If you do not want to store a second number, press **OK**.
- 8 Press **Stop/Exit**.

Storing Speed Dial numbers from the Caller ID history

If you have the Caller ID subscriber service from your telephone company you can also store Speed Dial numbers from incoming calls in the Caller ID History. (See *Caller ID* on page 47.)

- 1 Press  (**Fax**).
- 2 Press **▲** or **▼** to choose *Caller ID hist..*
Press **OK**.
- 3 Press **▲** or **▼** to choose the number you want to store.
Press **OK**.
- 4 Press **▲** or **▼** to choose *Add to Speed Dial*.
Press **OK**.
- 5 Press **▲** or **▼** to choose the 2-digit Speed Dial location you want to store the number in.
Press **OK**.

- 6 Do one of the following:
- Enter the name (up to 16 characters) using the dial pad.
Press **OK**.
(To help you enter letters, see *Entering Text* on page 153.)
 - To store the number without a name, press **OK**.
- 7 Press **OK** to confirm the fax or telephone number.
- 8 Do one of the following:
- Enter the second fax or telephone number (up to 20 digits).
Press **OK**.
 - If you do not want to store a second number, press **OK**.
- 9 Press **Stop/Exit**.

Changing Speed Dial names or numbers

You can change or delete a Speed Dial number that has already been stored.

- 1 Press **Speed Dial**.
- 2 Press **▲** or **▼** to choose *Set Speed Dial*.
Press **OK**.
- 3 Press **▲** or **▼** to choose the 2-digit Speed Dial location you want to change.
Press **OK**.
- 4 Do one of the following:
- Press **▲** or **▼** to choose *Change*.
Press **OK**.
 - Press **▲** or **▼** to choose *Delete*.
Press **OK**.
Press **1** to confirm.
Go to step 8



Note

How to change the stored name or number:

If you want to change a character, press **◀** or **▶** to position the cursor under the character you want to change, and then press **Clear/Back**. Re-enter the character.

- 5 Do one of the following:
- Enter the name (up to 16 characters) using the dial pad.
Press **OK**.
(See *Entering Text* on page 153.)
 - If you do not want to change the name, press **OK**.
- 6 Do one of the following:
- Enter the new fax or telephone number (up to 20 digits).
Press **OK**.
 - If you do not want to change the number, press **OK**.
- 7 Do one of the following:
- Enter the second new fax or telephone number (up to 20 digits).
Press **OK**.
 - If you do not want to change the number, press **OK**.
- 8 Press **Stop/Exit**.

Setting up groups for broadcasting

Groups, which can be stored on a Speed Dial location, allow you to send the same fax message to many fax numbers by pressing only **Speed Dial**, *Search*, **OK**, the two-digit location and **Black Start**. First, you'll need to store each fax number in a Speed-Dial location. Then you can include them as numbers in the Group. Each Group uses up a Speed Dial location. You can have up to six Groups, or you can assign up to 158 numbers in a large Group if you have 2 numbers in each location.

(See *Storing Speed Dial numbers* on page 56 and *Broadcasting (Black & White only)* on page 32.)

- 1 Press **Speed Dial**.
- 2 Press **▲** or **▼** to choose *Setup Groups*. Press **OK**.
- 3 Press **▲** or **▼** to choose *GROUP1*, *GROUP2*, *GROUP3*, *GROUP4*, *GROUP5* or *GROUP6* for the Group name where you will store the fax numbers. Press **OK**.
- 4 Press **▲** or **▼** to choose the 2-digit location where you want to add to the Group. Press **OK**.
- 5 Press **▲** or **▼** to choose *Add Number*. Press **OK**.
- 6 Press **▲** or **▼** to choose *Alphabetical Order* or *Numerical Order*. Press **OK**.
- 7 Press **▲** or **▼** to choose the number you want to add. Press **OK**.
- 8 After you have finished adding numbers by repeating steps 5 and 7, press **▲** or **▼** to choose *Complete*. Press **OK**.

- 9 Press **Stop/Exit**.



Note

You can print a list of all the Speed Dial numbers. Group numbers will be marked in the *GROUP* column. (See *Reports* on page 70.)

Changing Group name

- 1 Press **Speed Dial**.
- 2 Press **▲** or **▼** to choose *Setup Groups*. Press **OK**.
- 3 Press **▲** or **▼** to choose the Group name you want to change. Press **OK**.
- 4 Press **▲** or **▼** to choose *Change Group Name*. Press **OK**.



Note

How to change the stored name or number:

If you want to change a character, press **◀** or **▶** to position the cursor under the character you want to change, and then press **Clear/Back**. Re-enter the character.

- 5 Enter the new name (up to 16 characters) using the dial pad. Press **OK**.
(See *Entering Text* on page 153. For example, type *NEW CLIENTS*.)
- 6 Press **▲** or **▼** to choose *Complete*. Press **OK**.
- 7 Press **Stop/Exit**.

Deleting a Group

- 1 Press **Speed Dial**.
- 2 Press **▲** or **▼** to choose *Setup Groups*. Press **OK**.

- 3 Press ▲ or ▼ to choose the Group you want to delete.
Press **OK**.
- 4 Press ▲ or ▼ to choose *Delete*.
Press **OK**.
Press **1** to confirm.
- 5 Press **Stop/Exit**.

Deleting a number from a Group

- 1 Press **Speed Dial**.
- 2 Press ▲ or ▼ to choose *Setup Groups*.
Press **OK**.
- 3 Press ▲ or ▼ to choose the Group you want to change.
Press **OK**.
- 4 Press ▲ or ▼ to choose the number you want to delete.
Press **OK**.
Press **1** to confirm.
- 5 Press ▲ or ▼ to choose *Complete*.
Press **OK**.
- 6 Press **Stop/Exit**.

Dialing Access codes and credit card numbers

Sometimes you may want to choose from several long distance carriers when you make a call. Rates may vary depending on the time and destination. To take advantage of low rates, you can store the access codes of long-distance carriers and credit card numbers as Speed Dial numbers. You can store these long dialing sequences by dividing them and setting them up as separate Speed Dial numbers in any combination. You can even include manual dialing using the dial pad. (See *Storing Speed Dial numbers* on page 56.)

For example, you might have stored '555' on Speed-Dial: 03 and '7000' on Speed-Dial: 02. You can use them both to dial '555-7000' if you press the following keys:

- 1 Press **Speed Dial**.
- 2 Press ▲ or ▼ to choose *Search*.
Press **OK**.
- 3 Enter **03**.



Note

If you stored 2 numbers in one Speed Dial location, you will be asked which number you want to send to.

- 4 Press ▲ or ▼ to choose *Speed Dial*.
Press **OK**.
- 5 Press ▲ or ▼ to choose *Search*.
Press **OK**.
- 6 Enter **02**.
- 7 Press **Black Start** or **Color Start**.
You will dial '555-7000'.

To temporarily change a number, you can substitute part of the number with manual dialing using the dial pad. For example, to change the number to 555-7001 you could press **Speed Dial**, choose *Search*, press **03** and then press **7001** using the dial pad.



Note

If you must wait for another dial tone or signal at any point in the dialing sequence, create a pause in the number by pressing **Redial/Pause**. Each key press adds a 3.5-second delay.

Advanced fax operations (Black & White only)

You can only use one advanced fax operation at a time:

- Fax Forwarding
- Paging
- Fax Storage
- PC Fax Receive
- Off

You can change your selection at any time. If received faxes are still in the machine's memory when you change the advanced fax operations, an LCD question will appear. (See *Changing Advanced Fax Operations* on page 65.)

Fax Forwarding

When you choose Fax Forward, your machine stores the received fax in the memory. The machine will then dial the fax number you have programmed and forward the fax message.

- 1 Press **Menu**.
- 2 Press **▲** or **▼** to choose **Fax**. Press **OK**.
- 3 Press **▲** or **▼** to choose **Advanced Fax Operation**. Press **OK**.
- 4 Press **▲** or **▼** to choose **Fwd/Page/Store**. Press **OK**.
- 5 Press **▲** or **▼** to choose **Fax Forward**. Press **OK**.
- 6 Enter the forwarding number (up to 20 digits). Press **OK**.

- 7 Press **▲** or **▼** to choose **Backup Print:On** or **Backup Print:Off**. Press **OK**.



Note

- If you choose **Backup Print:On**, the machine will also print the fax at your machine so you will have a copy. This is the safety feature in case there is a power failure before the fax is forwarded or a problem at the receiving machine.
- When Fax Forwarding is turned on your machine will only receive black & white faxes into memory. Color faxes will not be received, unless the sending machine converts them to black & white before sending.

- 8 Press **Stop/Exit**.

Paging

When you choose Paging, your machine dials the pager number you have programmed, and then dials your PIN (Personal identification Number). This activates your pager so you will know that you have a fax message in the memory.

If you have set Paging, a backup copy of the received fax will automatically be printed at the machine.

- 1 Press **Menu**.
- 2 Press **▲** or **▼** to choose **Fax**. Press **OK**.
- 3 Press **▲** or **▼** to choose **Advanced Fax Operation**. Press **OK**.
- 4 Press **▲** or **▼** to choose **Fwd/Page/Store**. Press **OK**.
- 5 Press **▲** or **▼** to choose **Paging**. Press **OK**.
- 6 Enter your pager telephone number followed by **##** (up to 20 digits). Press **OK**.
Do not include the area code if it is the same as that of your machine.
For example, press:
1 8 0 0 5 5 5 1 2 3 4 ##.

- 7 Do one of the following:
 - If your pager needs a PIN, enter the PIN, press **#**, press **Redial/Pause**, and then enter your fax number followed by **##**.
Press **OK**.
For example, press:
1 2 3 4 5 # Redial/Pause 1 8 0 0 5 5 6 7 8 9 ##
 - If you do not need a PIN, press: **Redial/Pause**, and then enter your fax number followed by **##**. Press **OK**.
For example, press:
Redial/Pause 1 8 0 0 5 5 6 7 8 9 ##
- 8 Press **Stop/Exit**.



Note

- You cannot change a paging number or PIN remotely.
- If Paging is turned on your machine cannot receive a color fax unless the sending machine converts it to black & white.

Fax Storage

If you choose Fax Storage, your machine stores the received fax in the memory. You will be able to retrieve fax messages from another location using the remote retrieval commands.

If you have set Fax Storage, a backup copy will automatically be printed at the machine.

- 1 Press **Menu**.
- 2 Press **▲** or **▼** to choose **Fax**. Press **OK**.
- 3 Press **▲** or **▼** to choose **Advanced Fax Operation**. Press **OK**.
- 4 Press **▲** or **▼** to choose **Fwd/Page/Store**. Press **OK**.
- 5 Press **▲** or **▼** to choose **Fax Storage**. Press **OK**.
- 6 Press **Stop/Exit**.



Note

If Fax Storage is turned on your machine cannot receive a color fax unless the sending machine converts it to black & white.

PC Fax Receive

If you turn on the PC-Fax Receive feature your machine will store received faxes in memory and send them to your PC automatically. You can then use your PC to view and store these faxes.

Even if you have turned off your PC (at night or on the weekend, for example), your machine will receive and store your faxes in its memory. The number of received faxes that are stored in the memory will appear at the bottom left side of the LCD.

When you start your PC and the PC-FAX Receiving software runs, your machine transfers your faxes to your PC automatically.

To transfer the received faxes to your PC you must have the PC-FAX Receiving software running on your PC. (For details, see *PC-FAX receiving* in the Software User's Guide on the CD-ROM.)

If you choose **Backup Print:On** the machine will also print the fax.

- 1 Press **Menu**.
- 2 Press **▲** or **▼** to choose **Fax**. Press **OK**.
- 3 Press **▲** or **▼** to choose **Advanced Fax Operation**. Press **OK**.
- 4 Press **▲** or **▼** to choose **Fwd/Page/Store**. Press **OK**.
- 5 Press **▲** or **▼** to choose **PC Fax Receive**. Press **OK**.
- 6 Press **▲** or **▼** to choose **<USB>** or the PC you want to receive. Press **OK**.
- 7 Press **▲** or **▼** to choose **Backup Print:On** or **Backup Print:Off**. Press **OK**.

- 8 Press **Stop/Exit**.

 **Note**

- PC Fax Receive is not supported in the Mac OS®.
- Before you can set up PC Fax Receive you must install the MFL-Pro Suite software on your PC. Make sure your PC is connected and turned on. (For details see *PC-FAX Receiving* in the Software User's Guide on the CD-ROM.)
- If you get an error message and the machine cannot print the faxes in memory, you can use this setting to transfer your faxes to your PC. (For details, see *Error messages* on page 123.)
- When PC Fax Receive is turned on only black & white faxes can be received into the memory and sent to the PC. Color faxes will be received in real time and printed in color.

Changing the destination PC

- 1 Press **Menu**.
- 2 Press **▲** or **▼** to choose **Fax**. Press **OK**.
- 3 Press **▲** or **▼** to choose **Advanced Fax Operation**. Press **OK**.
- 4 Press **▲** or **▼** to choose **Fwd/Page/Store**. Press **OK**.
- 5 Press **▲** or **▼** to choose **PC Fax Receive**. Press **OK**.
- 6 Press **▲** or **▼** to choose **Change**. Press **OK**.
- 7 Press **▲** or **▼** to choose **<USB>** or the PC you want to receive. Press **OK**.
- 8 Press **▲** or **▼** to choose **Backup Print:On** or **Backup Print:Off**. Press **OK**.
- 9 Press **Stop/Exit**.

Turning off Advanced Fax Operations

- 1 Press **Menu**.
- 2 Press **▲** or **▼** to choose **Fax**. Press **OK**.
- 3 Press **▲** or **▼** to choose Advanced Fax Operation. Press **OK**.
- 4 Press **▲** or **▼** to choose **Fwd/Page/Store**. Press **OK**.
- 5 Press **▲** or **▼** to choose **Off**. Press **OK**.
- 6 Press **Stop/Exit**.



Note

The LCD will give you more options if there are received faxes still in your machine's memory. (See *Changing Advanced Fax Operations* on page 65.)

Changing Advanced Fax Operations

If received faxes are left in your machine's memory when you change the Advanced Fax Operations, the LCD will ask you one of the following questions:

- Erase All Fax?
 - Yes → Press 1
 - No → Press 2
- Print All Fax?
 - Yes → Press 1
 - No → Press 2

- If you press **1**, faxes in the memory will be erased or printed before the setting changes. If a backup copy has already been printed it will not be printed again.
- If you press **2**, faxes in the memory will not be erased or printed and the setting will be unchanged.

If received faxes are left in the machine's memory when you change to **PC Fax Receive** from another option [Fax Forward, Paging, Fax Storage], press **▲** or **▼** to choose the **PC**.

The LCD will ask you the following message:

- Send Fax to PC?
 - Yes → Press 1
 - No → Press 2

- If you press **1**, faxes in the memory will be sent to your PC before the setting changes. You will be asked if you want to turn on Backup Print. (For detail, see *PC Fax Receive* on page 63.)
- If you press **2**, faxes in the memory will not be erased or transferred to your PC and the setting will be unchanged.

Remote Retrieval

You can call your machine from any touch tone telephone or fax machine, then use the remote access code and remote commands to retrieve fax messages.

Setting a Remote Access Code

The remote access code lets you access the remote retrieval features when you are away from your machine. Before you can use the remote access and retrieval features, you have to set up your own code. The factory default code is inactive code (---*).

- 1 Press **Menu**.
- 2 Press **▲** or **▼** to choose **Fax**. Press **OK**.
- 3 Press **▲** or **▼** to choose **Advanced Fax Operation**. Press **OK**.
- 4 Press **▲** or **▼** to choose **Remote Access**. Press **OK**.
- 5 Enter a three-digit code using numbers **0-9**, *****, or **#**. Press **OK**. (The preset '*****' cannot be changed.)



Note

Do not use the same code as your Fax Receive Code (*** 5 1**) or Telephone Answer Code (**# 5 1**). (See *Using external and extension telephones* on page 52.)

- 6 Press **Stop/Exit**.



Note

You can change your code at any time by entering a new one. If you want to make your code inactive, press **Clear/Back** in step 5 to restore the inactive setting (---*) and press **OK**.

Using your Remote Access Code

- 1 Dial your fax number from a touch tone telephone or another fax machine.
- 2 When your machine answers, enter your remote access code (3 digits followed by *****) at once.
- 3 The machine signals if it has received messages:
 - **1 long beep — Fax messages**
 - **No beeps — No messages**
- 4 When the machine gives two short beeps, enter a command. The machine will hang up if you wait longer than 30 seconds to enter a command. The machine will beep three times if you enter an invalid command.
- 5 Press **9 0** to reset the machine when you have finished.
- 6 Hang up.



Note

If your machine is set to **Manual** mode and you want to use the remote retrieval features, wait about 2 minutes after it starts ringing, and then enter the remote access code within 30 seconds.

Remote Fax commands

Follow the commands below to access features when you are away from the machine. When you call the machine and enter your remote access code (3 digits followed by *), the system will give two short beeps and you must enter a remote command.

Remote commands		Operation details
95	Change the Fax Forwarding, Paging or Fax Storage settings	
	1 OFF	You can choose OFF after you have retrieved or erased all your messages.
	2 Fax Forwarding	One long beep means the change is accepted. If you hear three short beeps, you cannot change because something has not been set up (for example, a Fax Forwarding or Paging number has not been registered). You can register your Fax Forwarding number by entering 4. (See <i>Changing your Fax Forwarding number</i> on page 68.) Once you have registered the number, Fax Forwarding will work.
	3 Paging	
	4 Fax Forwarding number	
6 Fax Storage		
96	Retrieve a fax	
	2 Retrieve all faxes	Enter the number of a remote fax machine to receive stored fax messages. (See <i>Retrieving fax messages</i> on page 68.)
	3 Erase faxes from the memory	If you hear one long beep, fax messages have been erased from the memory.
97	Check the receiving status	
	1 Fax	You can check whether your machine has received any faxes. If yes, you will hear one long beep. If no, you will hear three short beeps.
98	Change the Receive Mode	
	1 External TAD	If you hear one long beep, your change has been accepted.
	2 Fax/Tel	
	3 Fax Only	
90	Exit	Pressing 9 0 allows you to exit remote retrieval. Wait for the long beep, then replace the handset.

Retrieving fax messages

You can call your machine from any touch tone telephone and have your fax messages sent to a machine. Before you use this feature, you have to turn on Fax Storage.

- 1 Dial your fax number.
- 2 When your machine answers, enter your remote access code (3 digits followed by *) at once. If you hear one long beep, you have messages.
- 3 When you hear two short beeps, press **9 6 2**.
- 4 Wait for the long beep, enter the number (up to 20 digits) of the remote fax machine you want your fax messages sent to using the dial pad, then enter **# #**.



Note

You cannot use * and # as dial numbers. However, press # if you want to create a pause.

- 5 Hang up after you hear your machine beep. Your machine will call the other fax machine, which will then print your fax messages.

Changing your Fax Forwarding number

You can change the default setting of your fax forwarding number from another touch tone telephone or fax machine.

- 1 Dial your fax number.
- 2 When your machine answers, enter your remote access code (3 digits followed by *) at once. If you hear one long beep, you have messages.
- 3 When you hear two short beeps, press **9 5 4**.
- 4 Wait for the long beep, enter the new number (up to 20 digits) of the remote fax machine you want your fax messages forwarded to using the dial pad, then enter **# #**.



Note

You cannot use * and # as dial numbers. However, press # if you want to create a pause.

- 5 Press **9 0** to reset the machine when you have finished.
- 6 Hang up after you hear your machine beep.

10 Printing Reports

Fax reports

You need to set up the Transmission Verification Report and Journal Period using the **Menu** keys.

Transmission Verification Report

You can use the Transmission Verification Report as proof that you sent a fax. This report lists the time and date of transmission and whether the transmission was successful (OK). If you choose **On** or **On+Image**, the report will print for every fax you send.

If you send a lot of faxes to the same place, you may need more than the job numbers to know which faxes you must send again. Choosing **On+Image** or **Off+Image** will print a section of the fax's first page on the report to help you remember.

When the Transmission Verification Report is turned **Off** or **Off+Image**, the Report will only print if there is a transmission error, with **NG** in the **RESULT** column.

- 1 Press **Menu**.
- 2 Press **▲** or **▼** to choose **Fax**. Press **OK**.
- 3 Press **▲** or **▼** to choose **Report Setting**. Press **OK**.
- 4 Press **▲** or **▼** to choose **Transmission**. Press **OK**.
- 5 Press **▲** or **▼** to choose **On**, **On+Image**, **Off** or **Off+Image**. Press **OK**.
- 6 Press **Stop/Exit**.

Fax Journal (activity report)

You can set the machine to print a journal at specific intervals (every 50 faxes, 6, 12 or 24 hours, 2 or 7 days). If you set the interval to **Off**, you can still print the report by following the steps on *How to print a report* on page 70. The factory setting is **Every 50 Faxes**.

- 1 Press **Menu**.
- 2 Press **▲** or **▼** to choose **Fax**. Press **OK**.
- 3 Press **▲** or **▼** to choose **Report Setting**. Press **OK**.
- 4 Press **▲** or **▼** to choose **Journal Period**. Press **OK**.
- 5 Press **▲** or **▼** to choose an interval. Press **OK**.
(If you choose 7 days, the LCD will ask you to choose the first day for the 7-day countdown.)
 - 6, 12, 24 hours, 2 or 7 days
The machine will print the report at the chosen time and then erase all jobs from its memory. If the machine's memory becomes full with 200 jobs before the time you chose has passed, the machine will print the Journal early and then erase all jobs from the memory. If you want an extra report before it is due to print, you can print it without erasing the jobs from the memory.
 - Every 50 Faxes
The machine will print the Journal when the machine has stored 50 jobs.

- 6 Enter the time to start printing in 24-hour format.
Press **OK**.
(For example: enter 19:45 for 7:45 PM.)
- 7 Press **Stop/Exit**.

Reports

The following reports are available:

- **Transmission**
Prints a Transmission Verification Report for your last transmission.
- **Help List**
A help list about how to quickly program your machine.
- **Quick Dial**
Lists names and numbers stored in the Speed Dial memory, in alphabetical or numerical order.
- **Fax Journal**
Lists information about the last incoming and outgoing faxes. (TX: Transmit.) (RX: Receive.)
- **User Settings**
Lists your settings.
- **Network Config**
Lists your Network settings.

How to print a report

- 1 Press **Menu**.
- 2 Press **▲** or **▼** to choose **Print Reports**.
Press **OK**.
- 3 Press **▲** or **▼** to choose the report you want.
Press **OK**.
- 4 Press **Black Start**.
- 5 Press **Stop/Exit**.


Polling overview

Polling lets you set up your machine so other people can receive faxes from you, but they pay for the call. It also lets you call somebody else's fax machine and receive a fax from it, so you pay for the call. The polling feature needs to be set up on both machines for this to work. Not all fax machines support polling.

Polling receive


Polling receive lets you call another fax machine to receive a fax.

Setup to receive polling

- 1 Press  (**Fax**).
- 2 Press ▲ or ▼ to choose **Polling RX**. Press **OK**.
- 3 Press ▲ or ▼ to choose **On (or Off)**. Press **OK**.
- 4 Enter the fax number you are polling.
- 5 Press **Black Start** or **Color Start**. The LCD shows **Dialing**.

Sequential polling (Black & White only)

Sequential polling lets you request documents from several fax machines in one operation. Afterwards, a Sequential Polling Report will be printed.

- 1 Press  (**Fax**).
- 2 Press ▲ or ▼ to choose **Polling RX**. Press **OK**.
- 3 Press ▲ or ▼ to choose **On (or Off)**. Press **OK**.
- 4 Press ▲ or ▼ to choose **Broadcasting**. Press **OK**.
- 5 Press ▲ or ▼ to choose **Add Number**. Press **OK**.
- 6 Enter a number using **Speed Dial**, a **Group**, or the dial pad. Press **OK**.
- 7 Repeat steps 5 and 6 for all the fax numbers you want to poll, and then press ▲ or ▼ to choose **Complete**. Press **OK**.
- 8 Press **Black Start**. The machine polls each number or Group number in turn for a document.

Press **Stop/Exit** while the machine is dialing to cancel the polling process.


To cancel all sequential polling receive jobs, see *Checking and canceling waiting jobs* on page 35.

Polled transmit (Black & White only)

Polled transmit lets you set up your machine to wait with a document so another fax machine can call and retrieve it.

The document will be stored and can be retrieved by any other fax machine until you delete it from the memory. (See *Checking and canceling waiting jobs* on page 35.)

Set up for polled transmit

- 1 Press  (Fax).
- 2 Load your document.
- 3 Press ▲ or ▼ to choose Polled TX.
Press **OK**.
- 4 Press ▲ or ▼ to choose On (or Off).
Press **OK**.
- 5 Press ▲ or ▼ to choose any settings you want to change.
Press **OK**.
After each setting is accepted, you can continue to change more settings.
- 6 Press **Black Start**.



Copy

Making copies

74

12

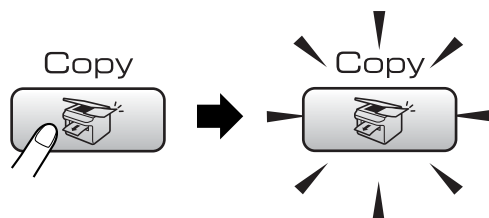
Making copies

How to copy

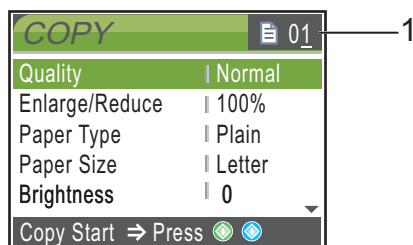
Entering Copy mode

When you want to make a copy, press

 (**Copy**) to illuminate it in green.



The LCD shows:



1 No of Copies

You can enter the number of copies you want by using the dial pad.

Press **▲** or **▼** to scroll through the **Copy** key options.

- Quality (See page 75.)
- Enlarge/Reduce (See page 75.)
- Paper Type (See page 78.)
- Paper Size (See page 79.)
- Brightness (See page 77.)
- Contrast (See page 77.)
- Color Adjust (See page 78.)
- Stack/Sort (See page 77.)
- Page Layout (See page 76.)
- Set New Default (See page 79.)
- Factory Reset (See page 80.)


When the option you want is highlighted, press **OK**.



Note


The default setting is Fax mode. You can change the amount of time that the machine stays in Copy mode after the last copy operation. (See *Mode Timer* on page 21.)

Making a single copy

- 1 Press  (**Copy**).
- 2 Load your document.
(See *Loading documents* on page 9.)
- 3 Press **Black Start** or **Color Start**.

Making multiple copies

You can make up to 99 copies.

- 1 Press  (**Copy**).
- 2 Load your document.
(See *Loading documents* on page 9.)
- 3 Enter the number of copies you want.
- 4 Press **Black Start** or **Color Start**.



Note

To sort the copies, press **▲** or **▼** to choose **Stack/Sort**. (See *Sorting copies using the ADF* on page 77.)

Stop copying

To stop copying, press **Stop/Exit**.

Copy settings

You can change the copy settings temporarily for the next copy.

These settings are temporary, and the machine returns to its default settings 1 minute after copying, unless you have set the Mode Timer to 30 seconds or less. (See *Mode Timer* on page 21.)

If you have finished choosing settings, press **Black Start** or **Color Start**.

If you want to choose more settings, press ▲ or ▼.



Note

You can save some of the settings that you use most often by setting them as default. These settings will stay until you change them again. (See *Setting your changes as the new default* on page 79.)

Changing copy quality

You can choose from a range of quality. The factory setting is *Normal*.

■ Fast


Fast copy speed and lowest amount of ink used. Use to save time printing documents to be proof-read, large documents or many copies.

■ Normal

Normal is the recommended mode for ordinary printouts. This produces good copy quality with good copy speed.


■ Best

Use best mode to copy precise images such as photographs. This provides the highest resolution and slowest speed.

- 1 Press  (**Copy**).
- 2 Load your document.
- 3 Enter the number of copies you want.
- 4 Press ▲ or ▼ to choose *Quality*. Press **OK**.
- 5 Press ▲ or ▼ to choose *Fast*, *Normal* or *Best*. Press **OK**.
- 6 If you do not want to change additional settings, press **Black Start** or **Color Start**.

Enlarging or reducing the image copied

You can choose an enlargement or reduction ratio.

- 1 Press  (**Copy**).
- 2 Load your document.
- 3 Enter the number of copies you want.
- 4 Press ▲ or ▼ to choose *Enlarge/Reduce*. Press **OK**.
- 5 Do one of the following:
 - Press ▲ or ▼ to choose the enlargement or reduction ratio you want. Press **OK**.
 - Press ▲ or ▼ to choose *Custom* (25–400%) and then enter an enlargement or reduction ratio from 25% to 400%. Press **OK**.
(For example, press **5 3** to enter 53%.)

50%
69% A4→A5
78% LGL→LTR
83% LGL→A4
93% A4→LTR
97% LTR→A4
100%*
104% EXE→LTR
142% A5→A4
186% 4"x6"→LTR
198% 4"x6"→A4
200%
Custom (25-400%)

- 6 If you do not want to change additional settings, press **Black Start** or **Color Start**.



Note

Page Layout Options are not available with Enlarge/Reduce settings.


Making N in 1 copies or a poster (page layout)

The N in 1 copy feature can help you save paper by letting you copy two or four pages onto one printed page.

You can also produce a poster. When you use the poster feature your machine divides your document into sections, then enlarges the sections so you can assemble them into a poster. If you want to print a poster, use the scanner glass.

Important

- Please make sure paper size is set to Letter or A4.
- You cannot use the Enlarge/Reduce setting with the N in 1 and Poster features.
- If you are producing multiple color copies, N in 1 copy is not available.
- (P) means Portrait and (L) means Landscape.
- You can only make one poster copy at a time.

- 1 Press  (**Copy**).
- 2 Load your document.
- 3 Enter the number of copies you want.
- 4 Press ▲ or ▼ to choose Page Layout. Press **OK**.
- 5 Press ▲ or ▼ to choose Off (1 in 1), 2 in 1 (P), 2 in 1 (L), 4 in 1 (P), 4 in 1 (L) or Poster (3 x 3). Press **OK**.
- 6 If you do not want to change additional settings, press **Black Start** or **Color Start** to scan the page. If you are making a poster or placed the document in the ADF, the machine scans the pages and starts printing. **If you are using the scanner glass, go to step 7.**
- 7 After the machine scans the page, press **1** to scan the next page.
- 8 Place the next page on the scanner glass. Press **OK**. Repeat steps 7 and 8 for each page of the layout.
- 9 After all the pages have been scanned, press **2** to finish.

Place your document face down in the direction shown below.

■ **2 in 1 (P)**



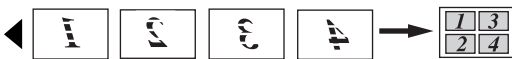
■ **2 in 1 (L)**



■ **4 in 1 (P)**

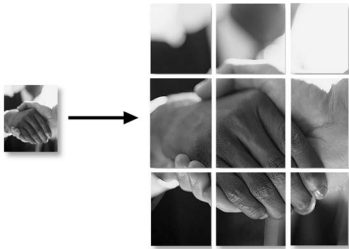


■ **4 in 1 (L)**




■ **Poster (3 x 3)**

You can make a poster size copy of a photograph.



Sorting copies using the ADF

You can sort multiple copies. Pages will be stacked in the order 123, 123, 123, and so on.

- 1 Press  (**Copy**).
- 2 Load your document.
- 3 Enter the number of copies you want.
- 4 Press ▲ or ▼ to choose *Stack/Sort*. Press **OK**.
- 5 Press ▲ or ▼ to choose *Sort*. Press **OK**.
- 6 If you do not want to change additional settings, press **Black Start** or **Color Start**.


Note

Page Layout Options are not available with *Sort*.

Adjusting Brightness, Contrast and Color


Brightness

You can adjust the copy brightness to make copies darker or lighter.


- 1 Press  (**Copy**).
- 2 Load your document.
- 3 Enter the number of copies you want.
- 4 Press ▲ or ▼ to choose *Brightness*. Press **OK**.
- 5 Press ◀ to make a darker copy or press ▶ to make a lighter copy. Press **OK**.
- 6 If you do not want to change additional settings, press **Black Start** or **Color Start**.

Contrast

You can adjust the copy contrast to help an image look sharper and more vivid.

- 1 Press  (**Copy**).
- 2 Load your document.
- 3 Enter the number of copies you want.
- 4 Press ▲ or ▼ to choose *Contrast*. Press **OK**.
- 5 Press ▶ to increase the contrast or press ◀ to decrease the contrast. Press **OK**.
- 6 If you do not want to change additional settings, press **Black Start** or **Color Start**.


Color Saturation

- 1 Press  (**Copy**).
- 2 Load your document.
- 3 Enter the number of copies you want.
- 4 Press ▲ or ▼ to choose **Color Adjust**. Press **OK**.
- 5 Press ▲ or ▼ to choose **Red**, **Green** or **Blue**. Press **OK**.
- 6 Press ► to increase the color saturation, or press ◀ to decrease the color saturation. Press **OK**.
- 7 Do one of the following:
 - If you want to change another color saturation, go to step 5.
 - If you want to change additional settings, press ▲ or ▼ to choose **Exit**. Press **OK**.
 - If you do not want to change additional settings, press **Black Start** or **Color Start**.

Paper Options


Paper Type

If you are copying on special paper, set the machine for the type of paper you are using to get the best print quality.

- 1 Press  (**Copy**).
- 2 Load your document.
- 3 Enter the number of copies you want.
- 4 Press ▲ or ▼ to choose **Paper Type**. Press **OK**.
- 5 Press ▲ or ▼ to choose **Plain Paper**, **Inkjet Paper**, **Brother Photo**, **Other Photo** or **Transparency**. Press **OK**.
- 6 If you do not want to change additional settings, press **Black Start** or **Color Start**.


Paper Size

If copying on paper other than Letter size, you will need to change the paper size setting. You can copy only on Letter, Legal, A4, A5 or Photo [4 in. (W) × 6 in. (H) or 10 cm (W) × 15 cm (H)] paper.

- 1 Press  (**Copy**).
- 2 Load your document.
- 3 Enter the number of copies you want.
- 4 Press ▲ or ▼ to choose Paper Size. Press **OK**.
- 5 Press ▲ or ▼ to choose Letter, Legal, A4, A5 or 4"×6". Press **OK**.
- 6 If you do not want to change additional settings, press **Black Start** or **Color Start**.


Setting your changes as the new default

You can save the copy settings for Quality, Paper Type, Brightness, Contrast and Color Adjust that you use most often by setting them the default settings. These settings will stay until you change them again.

- 1 Press  (**Copy**).
- 2 Press ▲ or ▼ to choose your new setting. Press **OK**. Repeat this step for each setting you want to change.
- 3 After changing the last setting, press ▲ or ▼ to choose Set New Default. Press **OK**.
- 4 Press **1** to choose Yes.
- 5 Press **Stop/Exit**.

Restoring all settings to the factory settings

You can restore all the settings you have changed to the factory settings. These settings will stay until you change them again.

- 1 Press  (**Copy**).
- 2 Press ▲ or ▼ to choose **Factory Reset**. Press **OK**.
- 3 Press **1** to choose **Yes**.
- 4 Press **Stop/Exit**.

‘Out of Memory’ message

If the **Out of Memory** message appears while scanning documents, press **Stop/Exit** to cancel or **Black Start** or **Color Start** to copy the scanned pages.

You will need to clear some jobs from the memory before you can continue.

To free up extra memory, do the following:

- Turn off **Advanced Fax Operation**. (See *Turning off Advanced Fax Operations* on page 65.)
- Print the faxes that are in the memory. (See *Printing a fax from the memory* on page 42.)

When you get an **Out of Memory** message, you may be able to make copies if you first print incoming faxes in the memory to restore the memory to 100%.



Walk-up Photo Printing

PhotoCapture Center®: Printing photos from a memory card or USB Flash memory drive	82
Printing photos from a camera	98

13

PhotoCapture Center[®]: Printing photos from a memory card or USB Flash memory drive

PhotoCapture Center[®] Operations

Printing from a memory card or USB Flash memory drive without a PC

Even if your machine is not connected to your computer, you can print photos directly from digital camera media or a USB Flash memory drive. (See *Print Images* on page 85.)

Scanning to a memory card or USB Flash memory drive without a PC

You can scan documents and save them directly to a memory card or USB Flash memory drive. (See *Scan to a memory card or USB Flash memory drive* on page 96.)

Using PhotoCapture Center[®] from your computer

You can access a memory card or USB Flash memory drive that is inserted in the front of the machine from your PC.

(See *PhotoCapture Center[®] for Windows[®] or Remote Setup & PhotoCapture Center[®] for Macintosh[®]* in the Software User's Guide on the CD-ROM.)

Using a memory card or USB Flash memory drive

Your Brother machine has media drives (slots) for use with popular digital camera media: CompactFlash[®], Memory Stick[®], Memory Stick Pro[™], SecureDigital, MultiMediaCard[™], xD-Picture Card[™] and USB Flash memory drives.



CompactFlash[®]



Memory Stick[®]

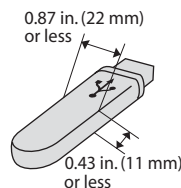
Memory Stick Pro[™]



SecureDigital
MultiMediaCard[™]



xD-Picture Card[™]



USB Flash memory
drive

- miniSD[™] can be used with a miniSD[™] adapter.
- Memory Stick Duo[™] can be used with a Memory Stick Duo[™] adapter.
- Memory Stick Pro Duo[™] can be used with a Memory Stick Pro Duo[™] adapter.
- Adapters are not included with the machine. Contact a third party supplier for adapters.

The PhotoCapture Center[®] feature lets you print digital photos from your digital camera at high resolution to get photo quality printing.

Memory cards or a USB Flash memory drive folder structure

To avoid errors, remember the following points:

- The image file extension must be .JPG (Other image file extensions like .JPEG, .TIF, .GIF and so on will not be recognized).
- Walk-up PhotoCapture Center® printing must be performed separately from PhotoCapture Center® operations using the PC. (Simultaneous operation is not available.)
- IBM Microdrive™ is not compatible with the machine.
- The machine can read up to 999 files on a memory card or USB Flash memory drive.
- CompactFlash® Type II is not supported.
- This product supports xD-Picture Card™ Type M / Type H.
- This product supports SecureDigital High Capacity.
- The DPOF file on the memory cards must be in a valid DPOF format. (See *DPOF printing* on page 91.)

Please be aware of the following:

- When printing the INDEX or IMAGE, the PhotoCapture Center® will print all the valid images, even if one or more images have been corrupted. The corrupted image will not be printed.

■ (memory card users)

Your machine is designed to read memory cards that have been formatted by a digital camera.

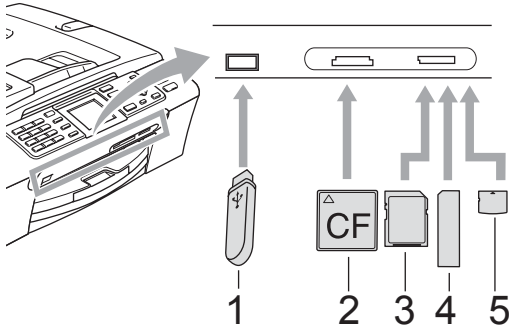
When a digital camera formats a memory card it creates a special folder into which it copies image data. If you need to modify the image data stored on a memory card with your PC, we recommend that you do not modify the folder structure created by the digital camera. When saving new or modified image files to the memory card we also recommend you use the same folder your digital camera uses. If the data is not saved to the same folder, the machine may not be able to read the file or print the image.

■ (USB Flash memory drive users)

This machine supports USB Flash memory drives that have been formatted by Windows®.

Getting started

Firmly put a memory card or USB Flash memory drive into the proper slot.

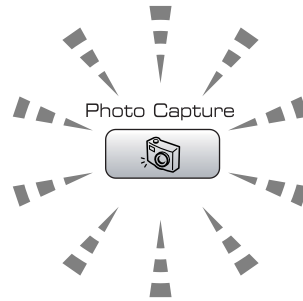


- 1 USB Flash memory drive
- 2 CompactFlash®
- 3 SecureDigital, MultiMediaCard™
- 4 Memory Stick®, Memory Stick Pro™
- 5 xD-Picture Card™

! CAUTION

The USB direct interface supports only a USB Flash memory drive, a PictBridge compatible camera, or a digital camera that uses the USB mass storage standard. Any other USB devices are not supported.

PhotoCapture key lights:



- **PhotoCapture** light is on, the memory card or USB Flash memory drive is properly inserted.
- **PhotoCapture** light is off, the memory card or USB Flash memory drive is not properly inserted.
- **PhotoCapture** light is blinking, the memory card or USB Flash memory drive is being read or written to.


! CAUTION

DO NOT unplug the power cord or remove the memory card or USB Flash memory drive from the media drive (slot) or USB direct interface while the machine is reading or writing to the memory card or USB Flash memory drive (the **PhotoCapture** key is blinking). **You will lose your data or damage the card or USB Flash memory drive.**

The machine can only read one device at a time so do not put more than one device in the machine at a time.

Entering PhotoCapture mode

After you insert the memory card or USB Flash memory drive, press the

 (**PhotoCapture**) key to illuminate it in green and display the PhotoCapture options on the LCD.

The LCD shows:



Press **▲** or **▼** to scroll through the PhotoCapture key options.

- View Photo(s) (See page 85.)
- Print Index (See page 86.)
- Print Photos (See page 86.)
- Photo Effects (See page 87.)
- Search by Date (See page 90.)
- Print All Photos (See page 90.)
- Slide show (See page 90.)
- Trimming (See page 91.)

Note


If your digital camera supports DPOF printing, see *DPOF printing* on page 91.

When the option you want is highlighted, press **OK**.

Print Images

View Photo(s)

You can preview your photos on the LCD before you print them. If your photos are large files there may be a delay before each photo is displayed on the LCD.

- 1 Make sure you have put a memory card or USB Flash memory drive in the proper slot.
Press  (**PhotoCapture**).
- 2 Press **▲** or **▼** to choose View Photo(s).
Press **OK**.
- 3 Press **◀** or **▶** to choose your photo.



Note

Instead of scrolling through your photos, you can use the dial pad to enter the number of the image from the index page. (See *Print Index (Thumbnails)* on page 86.)

- 4 Press **▲** or **▼** to increase or decrease the number of copies.
- 5 Repeat step 3 and step 4 until you have chosen all the photos.



Note

Press **Clear/Back** to go back to the previous level.

- 6 After you have chosen all the photos, do one of the following:
 - Press **OK** and change the print settings. (See page 92.)
 - If you do not want to change any settings, press **Color Start** to print.

Print Index (Thumbnails)

The PhotoCapture Center® assigns numbers for images (such as No.1, No.2, No.3, and so on).



The PhotoCapture Center® does not recognize any other numbers or file names that your digital camera or PC has used to identify the pictures. You can print a thumbnail page (Index page with 5 images per line). This will show all the pictures on the memory card.



Note

Only file names that are 8 characters or less will be printed correctly on the index sheet.


- 1 Make sure you have put the memory card or USB Flash memory drive in the proper slot.
Press  (**PhotoCapture**).
- 2 Press **▲** or **▼** to choose **Print Index**. Press **OK**.

- 3 Press **▲** or **▼** to choose the paper settings, **Paper Type** or **Paper Size**. Do one of the following.
 - If you chose **Paper Type**, press **OK** and press **▲** or **▼** to choose the type of paper you are using, **Plain Paper**, **Inkjet Paper**, **Brother Photo** or **Other Photo**. Press **OK**.
 - If you chose **Paper Size**, press **OK** and press **▲** or **▼** to choose the paper size you are using, **Letter** or **A4**. Press **OK**.
 - If you do not want to change the paper settings, go to 4

- 4 Press **Color Start** to print.

Print Photos

Before you can print an individual image, you have to know the image number.

- 1 Make sure you have put a memory card or USB Flash memory drive in the proper slot.
Press  (**PhotoCapture**).
- 2 Print the Index.
(See *Print Index (Thumbnails)* on page 86.)
- 3 Press **▲** or **▼** to choose **Print Photos**. Press **OK**.
- 4 Enter the image number that you want to print from the Index page (Thumbnails). Press **OK**.

- 5 Repeat step 4 until you have entered the image numbers that you want to print.

Note

- You can enter multiple numbers at one time by using the * key for a comma or the # key for a hyphen. For example, Enter 1, *, 3, *, 6 to print images No.1, No.3 and No.6. Enter 1, #, 5 to print images No.1 to No.5.
- You can enter up to 12 characters (including commas) for the image numbers you want to print.

- 6 After you have chosen the image numbers, press **OK** again.


- 7 Enter the number of copies you want using the dial pad.

- 8 Do one of the following:
 - Change the print settings. (See page 92.)
 - If you do not want to change any settings, press **Color Start** to print.

Photo Effects


You can edit and add effects to your photos and view them on the LCD before printing.

Note

- After adding each effect, you can enlarge the view of the image by pressing *. To go back to the original size, press * again.
- The Photo Effects feature is supported by technology from Reallusion, Inc. 

Auto Correct

Auto Correct is available for most photos. The machine decides the suitable effect for your photo.


- 1 Make sure you have put a memory card or USB Flash memory drive in the proper slot.
Press  (**PhotoCapture**).
- 2 Press ▲ or ▼ to choose **Photo Effects**.
Press **OK**.
- 3 Press ◀ or ▶ to choose your photo.
Press **OK**.
- 4 Press ▲ or ▼ to choose **Auto Correct**.
Press **OK**.
- 5 Press ▲ or ▼ to increase or decrease the number of copies.
- 6 Do one of the following.
 - Press **OK** and change the print settings. (See page 92.)
 - If you do not want to change any settings, press **Color Start** to print.

Note

If **Remove Red-Eye** appears on the LCD, press # to remove red-eye from your photo.

Enhance Skin-Tone


Enhance Skin-Tone is best used for adjusting portrait photographs. It detects human skin color in your photos and adjusts the image.

- 1 Make sure you have put a memory card or USB Flash memory drive in the proper slot.
Press  (**PhotoCapture**).
- 2 Press ▲ or ▼ to choose **Photo Effects**.
Press **OK**.

- 3 Press ◀ or ▶ to choose your photo.
Press **OK**.
- 4 Press ▲ or ▼ to choose
Enhance Skin-Tone.
Press **OK**.
- 5 Do one of the following.
 - Press **OK** if you do not want to change any settings.
 - Press ▲ or ▼ to adjust the effect level manually.
Press **OK** when you have finished.
- 6 Press ▲ or ▼ to increase or decrease the number of copies.
- 7 Do one of the following.
 - Press **OK** and change the print settings. (See page 92.)
 - If you do not want to change any settings, press **Color Start** to print.

Enhance Scenery

Enhance Scenery is best used for adjusting landscape photographs. It highlights green and blue of your photo, so that the landscape looks more sharp and vivid.

- 1 Make sure you have put the memory card or USB Flash memory drive in the proper slot.
Press  (**PhotoCapture**).
- 2 Press ▲ or ▼ to choose
Photo Effects.
Press **OK**.
- 3 Press ◀ or ▶ to choose your photo.
Press **OK**.
- 4 Press ▲ or ▼ to choose
Enhance Scenery.
Press **OK**.

- 5 Do one of the following.
 - Press **OK** if you do not want to change any settings.
 - Press ▲ or ▼ to adjust the effect level manually.
Press **OK** when you have finished.
- 6 Press ▲ or ▼ to increase or decrease the number of copies.
- 7 Do one of the following.
 - Press **OK** and change the print settings. (See page 92.)
 - If you do not want to change any settings, press **Color Start** to print.

Remove Red-Eye


The machine detects eyes in your photos and will remove red-eye from your photo.



Note

There are some cases when red-eye may not be removed.

- When the face is too small.
- When the face is turning too far up, down, left or right.

- 1 Make sure you have put a memory card or USB Flash memory drive in the proper slot.
Press  (**PhotoCapture**).
- 2 Press ▲ or ▼ to choose
Photo Effects.
Press **OK**.
- 3 Press ◀ or ▶ to choose your photo.
Press **OK**.

- 4 Press ▲ or ▼ to choose Remove Red-Eye.
Press **OK**.
 - When Remove Red-Eye is successful, the photo after effect is shown. The adjusted part is shown in a red frame.
 - When Remove Red-Eye is unsuccessful, Unable to Detect. is shown.
Press **OK** to go back to the previous level.




Note

Press # to try Remove Red-Eye once again.

- 5 Press ▲ or ▼ to increase or decrease the number of copies.
- 6 Do one of the following.
 - Press **OK** and change the print settings. (See page 92.)
 - If you do not want to change any settings, press **Color Start** to print.

Monochrome


You can convert your photo to black & white.

- 1 Make sure you have put a memory card or USB Flash memory drive in the proper slot.
Press  (**PhotoCapture**).
- 2 Press ▲ or ▼ to choose Photo Effects.
Press **OK**.
- 3 Press ◀ or ▶ to choose your photo.
Press **OK**.
- 4 Press ▲ or ▼ to choose Monochrome.
Press **OK**.
- 5 Press ▲ or ▼ to increase or decrease the number of copies.

- 6 Do one of the following.
 - Press **OK** and change the print settings. (See page 92.)
 - If you do not want to change any settings, press **Color Start** to print.


Sepia

You can convert the color of your photo to sepia.

- 1 Make sure you have put a memory card or USB Flash memory drive in the proper slot.
Press  (**PhotoCapture**).
- 2 Press ▲ or ▼ to choose Photo Effects.
Press **OK**.
- 3 Press ◀ or ▶ to choose your photo.
Press **OK**.
- 4 Press ▲ or ▼ to choose Sepia.
Press **OK**.
- 5 Press ▲ or ▼ to increase or decrease the number of copies.
- 6 Do one of the following.
 - Press **OK** and change the print settings. (See page 92.)
 - If you do not want to change any settings, press **Color Start** to print.

Search by Date

You can find your photos based on date.

- 1 Make sure you have put a memory card or USB Flash memory drive in the proper slot.
Press  (**PhotoCapture**).
- 2 Press ▲ or ▼ to choose *Search by Date*.
Press **OK**.
- 3 Press ▲ or ▼ to choose the date that you want to search from.
Press **OK**.
- 4 Press ◀ or ▶ to choose your photo.




Note

You can view photos with other dates by pressing ◀ or ▶ continuously. Press ◀ to view an older photo and ▶ to view a newer photo.

- 5 Press ▲ or ▼ to increase or decrease the number of copies.
- 6 Repeat step 4 and step 5 until you have chosen all your photos.
- 7 After you have chosen all your photos, do one of the following:
 - Press **OK** and change the print settings. (See page 92.)
 - If you do not want to change any settings, press **Color Start** to print.

Print All Photos


You can print all the photos on your memory card.

- 1 Make sure you have put a memory card or USB Flash memory drive in the proper slot.
Press  (**PhotoCapture**).

- 2 Press ▲ or ▼ to choose *Print All Photos*.
Press **OK**.
- 3 Enter the number of copies you want using the dial pad.
- 4 Do one of the following:
 - Change the print settings. (See page 92.)
 - If you do not want to change any settings, press **Color Start** to print.

Slide show

You can view all your photos on the LCD using Slide show. You can also choose a photo during the operation.

- 1 Make sure you have put a memory card or USB Flash memory drive in the proper slot.
Press  (**PhotoCapture**).
- 2 Press ▲ or ▼ to choose *Slide show*.
Press **OK**.
- 3 Press **Stop/Exit** to finish Slide show.

Printing a photo during a Slide show

- 1 Press **OK** to stop at one image while Slide show is operating.
- 2 Press ▲ or ▼ to increase or decrease the number of copies.
- 3 Do one of the following:
 - Press **OK** and change the print settings. (See page 92.)
 - If you do not want to change any settings, press **Color Start** to print.


Trimming

You can trim your photo and print a part of the image.



Note

If your photo is very small or has irregular proportions you may not be able to trim the photo. The LCD will display Image Too Small. or Image Too Long..

- 1 Make sure you have put a memory card or USB Flash memory drive in the proper slot.
Press  (**PhotoCapture**).
- 2 Press ▲ or ▼ to choose **Trimming**.
Press **OK**.
- 3 Press ◀ or ▶ to choose your photo.
Press **OK**.
- 4 Adjust the red frame on your photo. The part inside of the red frame will be printed.
 - Press * or # to enlarge or reduce the frame size.
 - Press each arrow key to move the position of the frame.
 - Press 0 to rotate the frame.
 - Press **OK** when you have finished the frame setting.
- 5 Press ▲ or ▼ to increase or decrease the number of copies.
- 6 Do one of the following:
 - Press **OK** and change the print settings. (See page 92.)
 - If you do not want to change any settings, press **Color Start** to print.


DPOF printing

DPOF stands for Digital Print Order Format.

Major digital camera manufacturers (Canon Inc., Eastman Kodak Company, Fuji Photo Film Co. Ltd., Matsushita Electric Industrial Co. Ltd. and Sony Corporation) created this standard to make it easier to print images from a digital camera.

If your digital camera supports DPOF printing, you will be able to choose on the digital camera display the images and number of copies you want to print.

When the memory card (CompactFlash®, Memory Stick®, Memory Stick Pro™, SecureDigital with DPOF information is put into your machine, you can print the chosen image easily.

- 1 Make sure you have put a memory card in the proper slot.
Press  (**PhotoCapture**). The machine will ask you if you want to use DPOF setting.
- 2 Press 1 to choose **Yes**.
- 3 Do one of the following:
 - Change the print settings. (See page 92.)
 - If you do not want to change any settings, press **Color Start** to print.



Note

An Invalid DPOF File error can occur if the print order that was created on the camera has been corrupted. Delete and recreate the print order using your camera to correct this problem.

For instructions on how to delete or recreate the print order, refer to your camera manufacturer's support website or accompanying documentation.

PhotoCapture Center[®] print settings

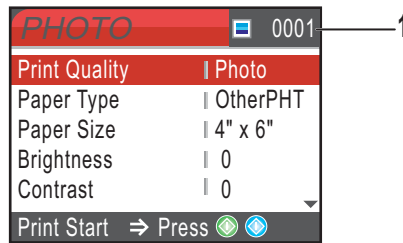
You can change the print settings temporarily for the next printing.

These settings are temporary, and the machine returns to its default settings 3 minutes after printing, unless you have set the Mode Timer to 2 minutes or less. (See *Mode Timer* on page 21.)



Note

You can save the print settings you use most often by setting them as default. (See *Setting your changes as the new default* on page 95.)



1 No. of prints

(For View Photo(s), Search by Date, Slide Show)

You can see the total number of photos that will be printed.

(For Print All Photos, Print Photos, Photo Effects, Trimming)

You can see the number of copies of each photo that will be printed.

(For DPOF printing) This does not appear.

Menu Selections	Options 1	Options 2	Page
Print Quality (Does not appear for DPOF printing)	Normal/Photo	—	93
Paper Type	Plain Paper/Inkjet Paper/Br other Photo/Other Photo	—	93
Paper Size	Letter/A4/4"x 6"/5"x 7"	(When A4 or Letter is chosen) 4"x 3"/5"x 3.5"/6"x 4"/ 7"x 5"/8"x 6"/Max. Size	93
Brightness (Does not appear when Photo Effects is chosen.)	◀0 Dark ————— Light ▶	—	94
Contrast (Does not appear when Photo Effects is chosen.)	◀0 ————— ▶	—	94

Menu Selections	Options 1	Options 2	Page
True2Life (Does not appear when Photo Effects is chosen.)	On/Off White Balance ◀0— — ▶ Sharpness ◀0— — ▶ Color Density ◀0— — ▶ Exit	—	94
Cropping	On/Off	—	95
Borderless	On/Off	—	95
Set New Default	Yes/No	—	95
Factory Reset	Yes/No	—	95

Print Quality

- 1 Press ▲ or ▼ to choose Print Quality.
Press **OK**.
- 2 Press ▲ or ▼ to choose Normal or Photo.
Press **OK**.
- 3 If you do not want to change additional settings, press **Color Start** to print.

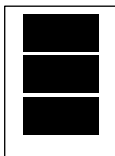

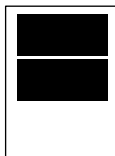
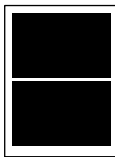


Paper options

Paper Type

- 1 Press ▲ or ▼ to choose Paper Type.
Press **OK**.
- 2 Press ▲ or ▼ to choose the paper size you are using, Plain Paper, Inkjet Paper, Brother Photo or Other Photo.
Press **OK**.
- 3 If you do not want to change additional settings, press **Color Start** to print.

Paper and print size

- 1 Press ▲ or ▼ to choose Paper Size.
Press **OK**.
- 2 Press ▲ or ▼ to choose the paper size you are using, Letter, 4"x 6", 5"x 7" or A4.
Press **OK**.
- 3 If you chose Letter or A4, press ▲ or ▼ to choose the print size.
Press **OK**.

Example: Printed Position for Letter paper		
1 4"x 3"	2 5"x 3.5"	3 6"x 4"
		
4 7"x 5"	5 8"x 6"	6 Max. Size
		

- 4 If you do not want to change additional settings, press **Color Start** to print.

Adjusting Brightness, Contrast and Color

Brightness

- 1 Press ▲ or ▼ to choose `Brightness`. Press **OK**.
- 2 Press ◀ or ▶ to make the copy lighter or darker. Press **OK**.
- 3 If you do not want to change additional settings, press **Color Start** to print.

Contrast

You can choose the contrast setting. More contrast will make an image look sharper and more vivid.

- 1 Press ▲ or ▼ to choose `Contrast`. Press **OK**.
- 2 Press ◀ or ▶ to increase or decrease the contrast. Press **OK**.
- 3 If you do not want to change additional settings, press **Color Start** to print.

Color Enhancement (True2Life®)

You can turn on the color enhancement (True2Life®) feature to print more vivid images. Printing time will be slower.

- 1 Press ▲ or ▼ to choose `True2Life`. Press **OK**.
- 2 Do one of the following:
 - If you want to customize the `White Balance`, `Sharpness` or `Color Density`, press ◀ or ▶ to choose `On`, and then go to step 3.
 - If you do not want to customize, press ◀ or ▶ to choose `Off`. Press **OK** and then go to step 6.

- 3 Press ▲ or ▼ to choose `White Balance`, `Sharpness` or `Color Density`. Press **OK**.
- 4 Press ◀ or ▶ to adjust the degree of the setting. Press **OK**.
- 5 Do one of the following:
 - If you want to customize another color enhancement, press ▲ or ▼ to choose another option.
 - If you want to change other settings, press ▲ or ▼ to choose `Exit`, and then press **OK**.
- 6 If you do not want to change additional settings, press **Color Start** to print.



Note

• **White Balance**

This setting adjusts the hue of the white areas of an image. Lighting, camera settings and other influences will effect the appearance of white. The white areas of a picture may be slightly pink, yellow or some other color. By using this setting, you can correct that effect and bring the white areas back to pure white.

• **Sharpness**

This setting enhances the detail of an image, similar to adjusting the fine focus on a camera. If the image is not in true focus and you cannot see the fine details of the picture, then adjust the sharpness.

• **Color Density**

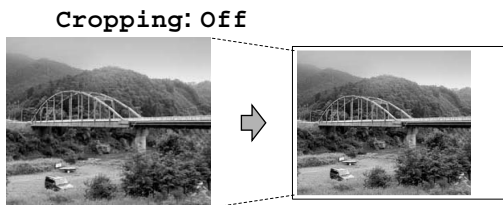
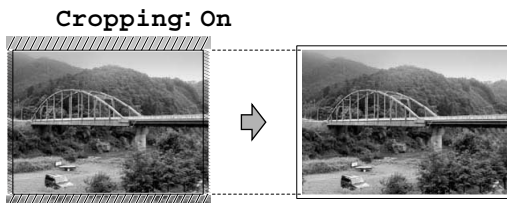
This setting adjusts the total amount of color in the image. You can increase or decrease the amount of color in an image to improve a washed out or weak picture.

Cropping

If your photo is too long or wide to fit the available space on your chosen layout, part of the image will automatically be cropped.

The factory setting is **On**. If you want to print the whole image, turn this setting to **Off**.

- 1 Press **▲** or **▼** to choose **Cropping**. Press **OK**.
- 2 Press **▲** or **▼** to choose **Off** (or **On**). Press **OK**.
- 3 If you do not want to change additional settings, press **Color Start** to print.



Borderless printing

This feature expands the printable area to the edges of the paper. Printing time will be slightly slower.

- 1 Press **▲** or **▼** to choose **Borderless**. Press **OK**.
- 2 Press **▲** or **▼** to choose **Off** (or **On**). Press **OK**.
- 3 If you do not want to change additional settings, press **Color Start** to print.

Setting your changes as the new default

You can save the print settings you use most often by setting them as the default settings. These settings will stay until you change them again.

- 1 Press **▲** or **▼** to choose your new setting. Press **OK**. Repeat this step for each setting you want to change.
- 2 After changing the last setting, press **▲** or **▼** to choose **Set New Default**. Press **OK**.
- 3 Press **1** to choose **Yes**.
- 4 Press **Stop/Exit**.

Restoring all settings to the factory settings

You can restore all the settings you have changed to the factory settings. These settings will stay until you change them again.

- 1 Press **▲** or **▼** to choose **Factory Reset**. Press **OK**.
- 2 Press **1** to choose **Yes**.
- 3 Press **Stop/Exit**.

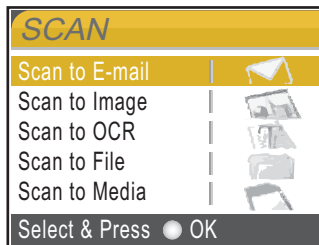
Scan to a memory card or USB Flash memory drive

Entering Scan mode

When you want to scan to a memory card or USB Flash memory drive, press

 (Scan).

The LCD shows:



Press ▲ or ▼ to choose Scan to Media.

Press **OK**.

If you are not connected to your computer only the Scan to Media selection will appear on the LCD.

(See *Scanning* for Windows® or Macintosh® in the Software User's Guide on the CD-ROM for details about the other menu options.)

How to scan to a memory card or USB Flash memory drive


You can scan black & white and color documents into a memory card or USB Flash memory drive. Black & white documents will be stored in PDF (*.PDF) or TIFF (*.TIF) file formats. Color documents may be stored in PDF (*.PDF) or JPEG (*.JPG) file formats. The factory setting is 150dpi Color and the default file format is PDF. File names default to the current date that you set using the control panel keys. (For details, see Quick Setup Guide.) For example, the fifth image scanned on June 1, 2007 would be named 06010705.PDF. You can change the color and quality.

Quality	Selectable File Format
150dpi Color	JPEG / PDF
300dpi Color	JPEG / PDF
600dpi Color	JPEG / PDF
200x100dpi B/W	TIFF / PDF
200dpi B/W	TIFF / PDF

- 1 Insert a CompactFlash®, Memory Stick®, Memory Stick Pro™, SecureDigital, MultiMediaCard™, xD-Picture Card™ or USB Flash memory drive into your machine.

WARNING

DO NOT take out the memory card or USB Flash memory drive while **PhotoCapture** is blinking to avoid damaging the card, USB Flash memory drive, or data stored on the card.

- 2 Load your document.
- 3 Press  (Scan).
- 4 Press ▲ or ▼ to choose Scan to Media. Press **OK**.

- 5 Do one of the following.
 - To change the quality, go to step 6.
 - Press **Black Start** or **Color Start** to start scanning without changing additional settings.
- 6 Press ▲ or ▼ to choose 150dpi Color, 300dpi Color, 600dpi Color, 200x100dpi B/W or 200dpi B/W. Press **OK**.
- 7 Do one of the following.
 - To change the file type, go to step 8.
 - Press **Black Start** or **Color Start** to start scanning without changing additional settings.
- 8 Press ▲ or ▼ to choose JPEG, PDF or TIFF. Press **OK**.



Note

- If you chose color in the resolution setting, you cannot choose TIFF.
- If you chose black & white in the resolution setting, you cannot choose JPEG.

- 9 Do one of the following.
 - To change the file name, go to step 10.
 - Press **Black Start** or **Color Start** to start scanning without changing additional settings.
- 10 The file name is set automatically however, you can set a name of your choice using the dial pad. You can only change the first 6 digits. Press **OK**.



Note

Press **Clear/Back** to delete the current name.

- 11 Press **Black Start** or **Color Start**.

Understanding the Error Messages

Once you are familiar with the types of errors that can occur while you are using PhotoCapture Center®, you can easily identify and troubleshoot any problems.

■ Hub is Unusable.

This message will appear if a Hub or USB Flash memory drive with a Hub has been put into the USB direct interface.

■ Media Error

This message will appear if you put in a memory card that is either bad or not formatted, or when there is a problem with the media drive. To clear this error, take out the memory card.

■ No File

This message will appear if you try to access a memory card or USB Flash memory drive in the drive (slot) that does not contain a .JPG file.

■ Out of Memory

This message will appear if you are working with images that are too large for the machine's memory. This message will also appear when a memory card or USB Flash memory drive you are using does not have enough space available for the scanned document.

■ Media is Full.

This message will appear if you are trying to save more than 999 files in a memory card or USB Flash memory drive.

■ Unusable Device

This message will appear if a USB device or USB Flash memory drive that is not supported has been connected to the USB direct interface. For more information, visit us at <http://solutions.brother.com>. This message can also appear if you connect a broken device to the USB direct interface.

Printing photos directly from a PictBridge camera



Your Brother machine supports the PictBridge standard, allowing you to connect to and print photos directly from any PictBridge compatible digital camera.

If your camera is using the USB Mass Storage standard, you can also print photos from a digital camera without PictBridge. See *Printing photos directly from a digital camera (without PictBridge)* on page 100.

PictBridge requirements

To avoid errors, remember the following points:

- The machine and the digital camera must be connected using a suitable USB cable.
- The image file extension must be .JPG (other image file extensions like .JPEG, .TIF, .GIF and so on will not be recognized).
- PhotoCapture Center[®] operations are not available when using the PictBridge feature.

Setting your digital camera

Make sure your camera is in PictBridge mode. The following PictBridge settings may be available from the LCD of your PictBridge compatible camera.

Depending on your camera some of these settings may not be available.

Camera Menu Selections	Options
Paper Size	Letter, A4, 4"×6", Printer Settings (Default setting) ²
Paper Type	Plain Paper, Glossy Paper, Inkjet Paper, Printer Settings (Default setting) ²
Layout	Borderless: On, Borderless: Off, Printer Settings (Default setting) ²
DPOF setting ¹	-
Print Quality	Normal, Fine, Printer Settings (Default setting) ²
Color Enhancement	On, Off, Printer Settings (Default setting) ²

¹ See *DPOF printing* on page 99 for more details.

² If your camera is set to use the Printer Settings (Default setting), the machine will print your photo using the following settings.

Settings	Options
Paper Size	4"×6"
Paper Type	Glossy Paper
Layout	Borderless: On
Print Quality	Fine
Color Enhancement	Off

- When your camera does not have any menu selections, this setting is also used.
- The names and availability of each setting depends on the specification of your camera.

Please refer to the documentation supplied with your camera for more detailed information on changing PictBridge settings.

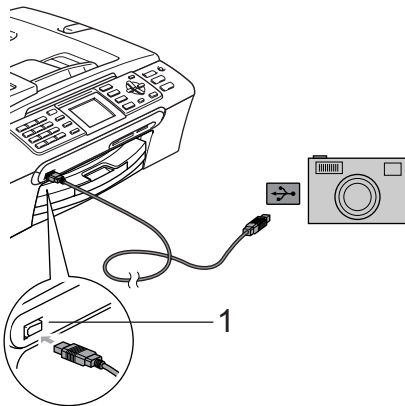
Printing Images



Note

Remove any memory cards or USB Flash memory drive from the machine before connecting a digital camera.

- 1 Make sure that your camera is turned off. Connect your camera to the USB direct interface (1) on the machine using the USB cable.



1 USB direct interface

- 2 Turn on the camera. When the machine has recognized the camera, the LCD shows `Camera Connected`.
- 3 Choose the photo you want to print following the instructions from your camera. When the machine starts printing a photo, the LCD will show `Printing`.



WARNING

To prevent damage to your machine, do not connect any device other than a digital camera or USB Flash memory drive to the USB direct interface.

DPOF printing

DPOF stands for Digital Print Order Format.

Major digital camera manufacturers (Canon Inc., Eastman Kodak Company, Fuji Photo Film Co. Ltd., Matsushita Electric Industrial Co. Ltd. and Sony Corporation) created this standard to make it easier to print images from a digital camera.

If your digital camera supports DPOF printing, you will be able to choose on the digital camera display the images and number of copies you want to print.

Printing photos directly from a digital camera (without PictBridge)

If your camera is using the USB Mass Storage standard, you can connect your camera in storage mode. This enables you to print photos from your camera.

If you would like to print photos in PictBridge mode, see *Printing photos directly from a PictBridge camera* on page 98.

Note

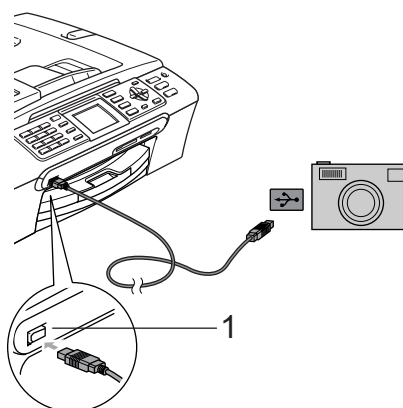
The name, availability and operation differ among digital cameras. Please refer to the documentation supplied with your camera for detailed information, such as how to switch from PictBridge mode to USB mass storage mode.

Printing Images

Note

Remove any memory cards or USB Flash memory drive from the machine before connecting a digital camera.

- 1 Make sure that your camera is turned off. Connect your camera to the USB direct interface (1) on the machine using the USB cable.



1 USB direct interface

- 2 Turn on the camera.
- 3 Follow the steps in *Print Images* on page 85.

! WARNING

To prevent damage to your machine, do not connect any device other than a digital camera or USB Flash memory drive to the USB direct interface.

Understanding the Error Messages

Once you are familiar with the types of errors that can occur while you are printing from a camera, you can easily identify and troubleshoot any problems.

■ Out of Memory

This message will appear if you are working with images that are too large for the machine's memory.

■ Unusable Device

This message will appear if you connect a camera which is not in PictBridge mode nor using the USB Mass Storage standard. This message can also appear if you connect a broken device to the USB direct interface.

For more detailed solutions see *Error messages* on page 123.



Software

Software and Network features

104

15

Software and Network features

The CD-ROM includes the Software User's Guide and Network User's Guide for features available when connected to a computer (for example, printing and scanning). These guides have easy to use links that, when clicked, will take you directly to a particular section.

You can find information on these features:

- Printing
- Scanning
- ControlCenter3 (for Windows®)
- ControlCenter2 (for Macintosh®)
- Remote Setup
- Faxing from your computer
- PhotoCapture Center®
- Network Printing
- Network Scanning

How to read HTML User's Guide

This is a quick reference for using the HTML User's Guide.

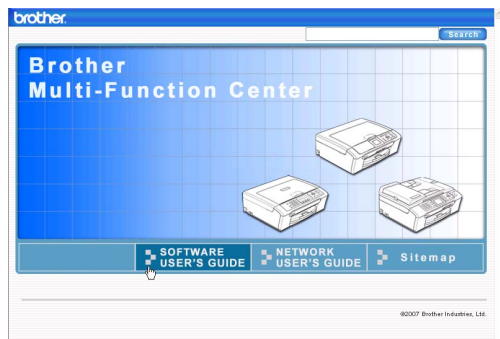
(For Windows®)



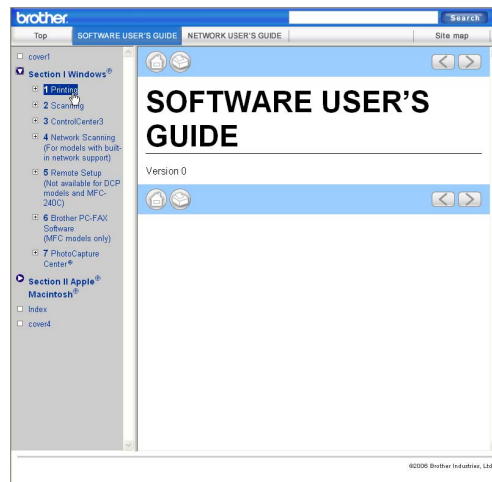
Note

If you have not installed the software, see *Viewing Documentation* on page 2.

- 1 From the **Start** menu, point to **Brother**, **MFC-XXXX** (where XXXX is your model number) from the programs group, then click **User's Guides in HTML format**.
- 2 Click **SOFTWARE USER'S GUIDE** (or **NETWORK USER'S GUIDE**) from the top menu.

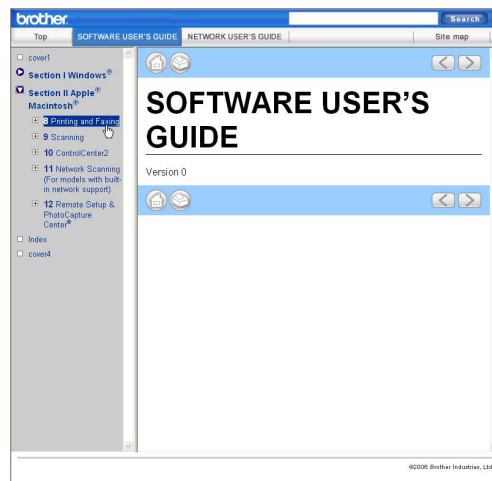


- 3 Click the heading you would like to view from the list at the left of the window.



(For Macintosh®)

- 1 Make sure your Macintosh® is turned on. Insert the Brother CD-ROM into your CD-ROM drive.
- 2 Double-click the **Documentation** icon.
- 3 Double-click your language folder, and then double-click the top page file.
- 4 Click **SOFTWARE USER'S GUIDE** (or **NETWORK USER'S GUIDE**) in the top menu, and then click the heading you would like to read from the list at the left of the window.





Appendixes

Safety and Legal	106
Troubleshooting and Routine Maintenance	117
Menu and Features	141
Specifications	154
Glossary	166

A

Safety and Legal

Choosing a location

Put your machine on a flat, stable surface that is free of vibration and shocks, such as a desk. Put the machine near a telephone wall jack and a standard AC power outlet. Choose a location where the temperature remains between 50° F and 95° F (10°C and 35° C).

! CAUTION

- Avoid placing your machine in a high-traffic area.
- Avoid placing your machine on a carpet.
- DO NOT put the machine near heaters, air conditioners, refrigerators, medical equipment, chemicals or water.
- DO NOT expose the machine to direct sunlight, excessive heat, moisture, or dust.
- DO NOT connect your machine to electrical outlets controlled by wall switches or automatic timers.
- Disruption of power can wipe out information in the machine's memory.
- DO NOT connect your machine to electrical outlets on the same circuit as large appliances or other equipment that might disrupt the power supply.
- Avoid interference sources, such as speakers or the base units of non-Brother cordless telephones.



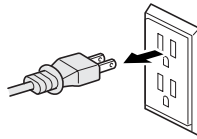
To use the machine safely

Please keep these instructions for later reference and read them before attempting any maintenance.

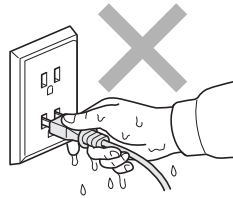
WARNING



There are high voltage electrodes inside the machine. Before you clean the inside of the machine, make sure you have unplugged the telephone line cord first and then the power cord from the AC power outlet. Doing this will prevent an electrical shock.



DO NOT handle the plug with wet hands. Doing this might cause an electrical shock.



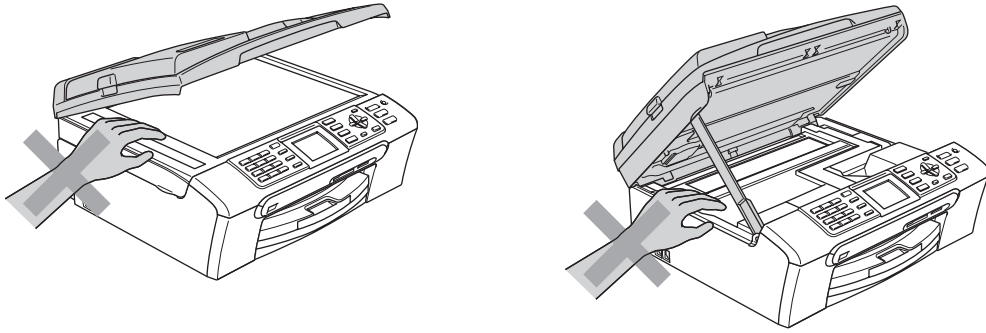
Always make sure the plug is fully inserted.



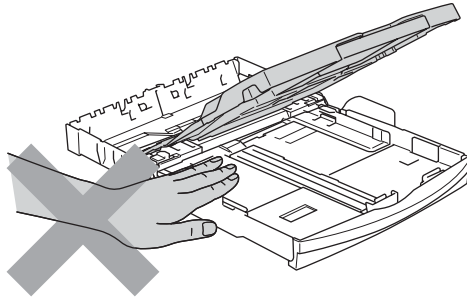
DO NOT pull on the middle of the AC power cord. Doing this might cause an electrical shock.



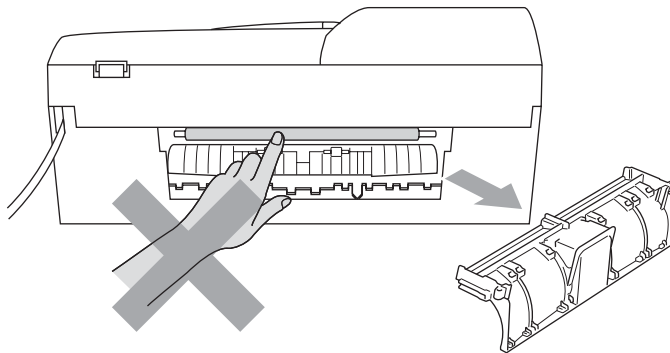
DO NOT put your hands on the edge of the machine under the document cover or the scanner cover. Doing this may cause injury.



DO NOT put your hands on the edge of the paper tray under the output paper tray cover. Doing this may cause injury.

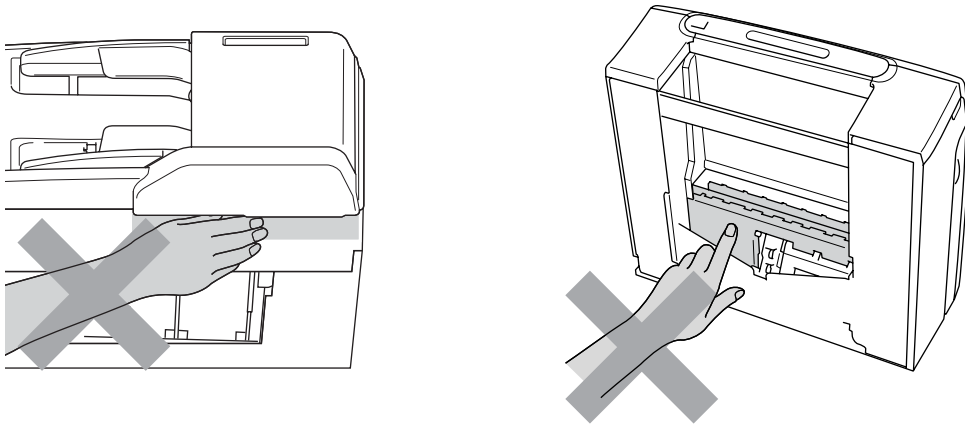


DO NOT touch the paper feed roller. Doing this may cause injury.

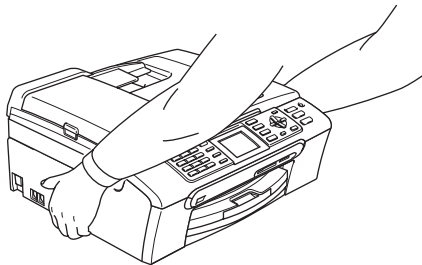




DO NOT touch the area shaded in the illustration. Doing this may cause injury.



When moving the machine you must lift it from the base, by placing a hand at each side of the unit as shown in the illustration. DO NOT carry the machine by holding the scanner cover.



DO NOT use flammable substances or any type of spray to clean the inside or outside of the machine. Doing this may cause a fire or electrical shock.

If the machine becomes hot, releases smoke, or generates any strong smells, immediately unplug the machine from the AC power outlet. Call Brother Customer Service. (See *Brother numbers* on page i.)

If metal objects, water or other liquids get inside the machine, immediately unplug the machine from the AC power outlet. Call Brother Customer Service. (See *Brother numbers* on page i.)

WARNING

- Use caution when installing or modifying telephone lines. Never touch telephone wires or terminals that are not insulated unless the telephone line has been unplugged at the wall jack. Never install telephone wiring during a lightning storm. Never install a telephone wall jack in a wet location.
- This product must be installed near an AC power outlet that is easily accessible. In case of an emergency, you must unplug the power cord from the AC power outlet to shut off the power completely.
- Always make sure the plug is fully inserted.
- To reduce the risk of shock or fire, use only a No. 26 AWG or larger telecommunication line cord.

CAUTION

Lightning and power surges can damage this product! We recommend that you use a quality surge protection device on the AC power line and on the telephone line, or unplug the cords during a lightning storm.

WARNING

IMPORTANT SAFETY INSTRUCTIONS

When using your telephone equipment, basic safety precautions should always be followed to reduce the risk of fire, electric shock and injury to people, including the following:

- 1 DO NOT use this product near water, for example, near a bath tub, wash bowl, kitchen sink or washing machine, in a wet basement or near a swimming pool.
- 2 Avoid using this product during an electrical storm. There may be a remote risk of electric shock from lightning.
- 3 DO NOT use this product to report a gas leak in the vicinity of the leak.
- 4 Use only the power cord provided with the machine.

Important safety instructions

- 1 Read all of these instructions.
- 2 Save them for later reference.
- 3 Follow all warnings and instructions marked on the product.
- 4 Unplug this product from the wall outlet before cleaning the inside of the machine. DO NOT use liquid or aerosol cleaners. Use a damp cloth for cleaning.

- 5 DO NOT use this product near water.
- 6 DO NOT place this product on an unstable cart, stand, or table. The product may fall, causing serious damage to the product.
- 7 Slots and openings in the cabinet and the back or bottom are provided for ventilation. To ensure reliable operation of the product and to protect it from overheating, these openings must not be blocked or covered. The openings should never be blocked by placing the product on a bed, sofa, rug, or other similar surface. This product should never be placed near or over a radiator or heater. This product should never be placed in a built-in installation unless proper ventilation is provided.
- 8 This product should be operated from the type of power source indicated on the label. If you are not sure of the type of power available, call your dealer or local power company.
- 9 Use only the power cord supplied with this machine.
- 10 DO NOT allow anything to rest on the power cord. DO NOT place this product where people can walk on the cord.
- 11 If an extension cord is used with this product, make sure that the total ampere ratings of the products plugged into the extension cord do not exceed the extension cord ampere rating. Also, make sure that the total of all products plugged into the AC power outlet does not exceed 15 amperes (USA only).
- 12 DO NOT place anything in front of the machine that will block received faxes. DO NOT place anything in the path of received faxes.
- 13 Wait until pages have exited the machine before picking them up.
- 14 Never push objects of any kind into this product through cabinet slots, since they may touch dangerous voltage points or short out parts resulting in the risk of fire or electric shock. Never spill liquid of any kind on the product. Do not attempt to service this product yourself because opening or removing covers may expose you to dangerous voltage points and other risks and may void your warranty. Refer all servicing to a Brother Authorized Service Center. For the location of your nearest Brother Authorized Service Center, please call the following:
In USA: 1-800-284-4357
In Canada: 1-877-BROTHER
- 15 Unplug this product from the AC power outlet and refer all servicing to Brother Authorized Service Personnel under the following conditions:
 - When the power cord is damaged or frayed.
 - If liquid has been spilled into the product.
 - If the product has been exposed to rain or water.
 - If the product does not operate normally when the operating instructions are followed, adjust only those controls that are covered by the operating instructions. Improper adjustment of other controls may result in damage and will often require extensive work by a qualified technician to restore the product to normal operation.
 - If the product has been dropped or the cabinet has been damaged.
 - If the product exhibits a distinct change in performance, indicating a need for service.
- 16 To protect your product against power surges, we recommend the use of a power protection device (Surge Protector).

17 To reduce the risk of fire, electric shock and injury to people, note the following:

- DO NOT use this product near appliances that use water, a swimming pool, or in a wet basement.
- DO NOT use the machine during an electrical storm (there is the remote possibility of an electrical shock) or to report a gas leak in the vicinity of the leak.

Standard telephone and FCC Notices (These notices are in effect on models sold and used in the United States only.)

When programming emergency numbers or making test calls to emergency numbers:

- Remain on the line and briefly explain to the dispatcher the reason for the call before hanging up.
- Perform these activities in the off-peak hours, such as early morning or late evening.

This equipment complies with Part 68 of the FCC rules and the requirements adopted by the ACTA. On the backside of this equipment is a label that contains, among other information, a product identifier in the format US: AAAEQ##TXXXX. If requested, this number must be provided to the telephone company.

You may safely connect this equipment to the telephone line by means of a standard modular jack, USOC RJ11C.

A plug and jack used to connect this equipment to the premises wiring and telephone network must comply with the applicable FCC Part 68 rules and requirements adopted by the ACTA. A compliant telephone cord and modular plug is provided with this product. It is designed to be connected to a compatible modular jack that is also compliant. See installation instructions for details.

The REN is used to determine the number of devices that may be connected to a telephone line. Excessive RENs on a telephone line may result in the devices not ringing in response to an incoming call. In most but not all areas, the sum of RENs should not exceed five (5.0). To be certain of the number of devices that may be connected to a line, as determined by the total RENs, contact the local telephone company. For products approved after July 23, 2001, the REN for this product is part of the product identifier that has the format US:AAAEQ##TXXXX. The digits represented by ## are the REN without a decimal point (e.g., 06 is a REN of 0.6). For earlier products, the REN is separately shown on the label.

If this equipment causes harm to the telephone network, the telephone company will notify you in advance that temporary discontinuance of service may be required. But if advance notice isn't practical, the telephone company will notify the customer as soon as possible. Also, you will be advised of your right to file a complaint with the FCC if you believe it is necessary.

The telephone company may make changes in its facilities, equipment, operations or procedures that could affect the operation of the equipment. If this happens the telephone company will provide advance notice in order for you to make necessary modifications to maintain uninterrupted service.

If trouble is experienced with this equipment, for repair or warranty information, please contact Brother Customer Service. (See *Brother numbers* on page i.) If the equipment is causing harm to the telephone network, the telephone company may request that you disconnect the equipment until the problem is resolved.

Connection to party line service is subject to state tariffs. Contact the state public utility commission, public service commission or corporation commission for information.

If your home has specially wired alarm equipment connected to the telephone line, ensure the installation of this equipment does not disable your alarm equipment. If you have questions about what will disable alarm equipment, call your telephone company or a qualified installer.

If you are not able to solve a problem with your machine, call Brother Customer Service. (See *Brother numbers* on page i.)



WARNING

For protection against the risk of electrical shock, always disconnect all cables from the wall outlet before servicing, modifying or installing the equipment.

This equipment may not be used on coin service lines provided by the telephone company or connected to party lines.

Brother cannot accept any financial or other responsibilities that may be the result of your use of this information, including direct, special or consequential damages. There are no warranties extended or granted by this document.

This machine has been certified to comply with FCC standards, which are applied to the USA only.

Federal Communications Commission (FCC) Declaration of Conformity (USA only)

Responsible Party: Brother International Corporation
 100 Somerset Corporate Boulevard
 Bridgewater, NJ 08807-0911
 USA
 TEL: (908) 704-1700

declares, that the products

Product Name: MFC-465CN

comply with Part 15 of the FCC Rules. Operation is subject to the following two conditions: (1) This device may not cause harmful interference, and (2) this device must accept any interference received, including interference that may cause undesired operation.

This equipment has been tested and found to comply with the limits for a Class B digital device, pursuant to Part 15 of the FCC Rules. These limits are designed to provide reasonable protection against harmful interference in a residential installation. This equipment generates, uses, and can radiate radio frequency energy and, if not installed and used in accordance with the instructions, may cause harmful interference to radio communications. However, there is no guarantee that interference will not occur in a particular installation. If this equipment does cause harmful interference to radio or television reception, which can be determined by turning the equipment off and on, the user is encouraged to try to correct the interference by one or more of the following measures:

- Reorient or relocate the receiving antenna.
- Increase the separation between the equipment and receiver.
- Connect the equipment into an outlet on a circuit different from that to which the receiver is connected.
- Call the dealer or an experienced radio/TV technician for help.
- This transmitter must not be co-located or operated in conjunction with any other antenna or transmitter.
- This equipment complies with FCC radiation exposure limits set forth for uncontrolled equipment and meets the FCC radio frequency (RF) Exposure Guidelines in Supplement C to OET65. This equipment should be installed and operated with at least 20cm and more between the radiator and person's body (excluding extremities: hands, wrists, feet and legs).

IMPORTANT

Changes or modifications not expressly approved by Brother Industries, Ltd. could void the user's authority to operate the equipment.

Industry Canada Compliance Statement (Canada only)

This Class B digital apparatus complies with Canadian ICES-003.

LAN connection

! CAUTION

DO NOT connect this product to a LAN connection that is subject to over-voltages.

Legal limitations for copying

Color reproductions of certain documents are illegal and may result in either criminal or civil liability. This memorandum is intended to be a guide rather than a complete listing of every possible prohibition. In case of doubt, we suggest that you check with counsel as to any particular questionable documents.

The following documents issued by the United States/Canadian Government or any of its Agencies may not be copied:

- Money
- Bonds or other certificates of indebtedness
- Certificates of Deposit
- Internal Revenue Stamps (canceled or uncanceled)
- Selective Service or draft papers
- Passports
- United States/Canadian Postage Stamps (canceled or uncanceled)
- Food Stamps
- Immigration Papers
- Checks or drafts drawn by Governmental agencies
- Identifying badges or insignias

Copyrighted works cannot be copied. Sections of a copyrighted work can be copied for 'fair use'. Multiple copies would indicate improper use.

Works of art should be considered the equivalent of copyrighted works.

Licenses and Certificates of Title to motor vehicles may not be copied under certain state/provincial laws.

Trademarks

The Brother logo is a registered trademark of Brother Industries, Ltd.

Brother is a registered trademark of Brother Industries, Ltd.

Multi-Function Link is a registered trademark of Brother International Corporation.

© 2007 Brother Industries, Ltd. All rights reserved.

Microsoft and Windows are registered trademarks of Microsoft Corporation in the U.S. and other countries.

Windows Vista is either a registered trademark or trademark of Microsoft Corporation in the United States and/or other countries.

Macintosh and TrueType are registered trademarks of Apple Inc.

Nuance, the Nuance logo, PaperPort and ScanSoft are trademarks or registered trademarks of Nuance Communications, Inc. or its affiliates in the United States and/or other countries.

Presto! PageManager is a registered trademark of NewSoft Technology Corporation.

Microdrive is a trademark of International Business Machine Corporation.

CompactFlash is a registered trademark of SanDisk Corporation.

Memory Stick is a registered trademark of Sony Corporation.

SanDisk is a licensee of the SD and miniSD trademarks.

MultiMediaCard is a trademark of Infineon Technologies and licensed to the MultiMediaCard Association.

xD-Picture Card is a trademark of Fujifilm Co. Ltd., Toshiba Corporation and Olympus Optical Co. Ltd.

PictBridge is a trademark.

Memory Stick Pro, Memory Stick Pro Duo, Memory Stick Duo and MagicGate are trademarks of Sony Corporation.

FaceFilter Studio is a trademark of Reallusion, Inc.

Each company whose software title is mentioned in this manual has a Software License Agreement specific to its proprietary programs.

All other brand and product names mentioned in this User's Guide, the Software User's Guide and the Network User's Guide are registered trademarks of their respective companies.

Troubleshooting

IMPORTANT

For technical help, you must call the country where you bought the machine. Calls must be made **from within** that country.

If you think there is a problem with your machine, check the chart below and follow the troubleshooting tips.

Most problems can be easily resolved by yourself. If you need additional help, the Brother Solutions Center offers the latest FAQs and troubleshooting tips.

Visit us at <http://solutions.brother.com>.

If you are having difficulty with your machine

Printing

Difficulty	Suggestions
No printout	Check the interface cable on both the machine and your computer. (See the <i>Quick Setup Guide</i> .)
	Check that the machine is plugged in and that the On/Off key is on.
	One or more ink cartridges are empty. (See <i>Replacing the ink cartridges</i> on page 131.)
	Check to see if the LCD is showing an error message. (See <i>Error messages</i> on page 123.)
	Check that the correct printer driver has been installed and chosen.
	Make sure that the machine is online. Click Start and then Printers and Faxes . Right-click and choose Brother MFC-XXXX (where XXXX is your model name), and make sure that Use Printer Offline is unchecked.
Poor print quality	Check the print quality. (See <i>Checking the print quality</i> on page 136.)
	Make sure that the Media Type setting in the printer driver or the Paper Type setting in the machine's menu matches the type of paper you are using. (See <i>Printing for Windows®</i> or <i>Printing and Faxing for Macintosh®</i> in the Software User's Guide on the CD-ROM and <i>Paper Type</i> on page 22.)
	Make sure that your ink cartridges are fresh. The following may cause ink to clog: <ul style="list-style-type: none"> ■ The expiration date written on the cartridge package has passed. (Cartridges stay usable for up to two years if kept in their original packaging.) ■ The ink cartridge was in your machine over six months. ■ The ink cartridge may not have been stored properly before use.
	Try using the recommended types of paper. (See <i>Acceptable paper and other media</i> on page 11.)
	The recommended environment for your machine is between 68° F to 91° F (20° C to 33° C).

Printing (continued)

Difficulty	Suggestions
White horizontal lines appear in text or graphics.	Clean the print head. (See <i>Cleaning the print head</i> on page 135.)
	Try using the recommended types of paper. (See <i>Acceptable paper and other media</i> on page 11.)
	If you want to print on Photo 4"×6" or Photo L 3.5"×5" paper, make sure you use the photo bypass tray. (See <i>Loading photo paper</i> on page 17.)
The machine prints blank pages.	Clean the print head. (See <i>Cleaning the print head</i> on page 135.)
Characters and lines are stacked.	Check the printing alignment. (See <i>Checking the print alignment</i> on page 137.)
Printed text or images are skewed.	Make sure the paper is loaded properly in the paper tray and the paper side guide is adjusted correctly. (See <i>Loading paper and other media</i> on page 14.)
	Make sure the Jam Clear Cover is set properly.
Smudged stain at the top center of the printed page.	Make sure the paper is not too thick or curled. (See <i>Acceptable paper and other media</i> on page 11.)
Printing appears dirty or ink seems to run.	Make sure you are using the recommended types of paper. (See <i>Acceptable paper and other media</i> on page 11.) Don't handle the paper until the ink is dry.
	If you are using photo paper, make sure that you have set the correct paper type. If you are printing a photo from your PC, set the Media Type in the Basic tab of the printer driver.
Stains appear on the reverse side or at the bottom of the page.	Make sure the printer platen is not dirty with ink. (See <i>Cleaning the machine printer platen</i> on page 134.)
	Make sure you are using the paper support flap. (See <i>Loading paper and other media</i> on page 14.)
The machine prints dense lines on the page.	Check Reverse Order in the Basic tab of the printer driver.
The printouts are wrinkled.	In the printer driver Basic tab, click Settings , and uncheck Bi-Directional Printing .
Cannot perform '2 in 1' or '4 in 1' printing.	Check that the paper size setting in the application and in the printer driver are the same.
Print speed is too slow.	Try changing the printer driver setting. The highest resolution needs longer data processing, sending and printing time. Try the other quality settings in the printer driver Basic tab. Also, click Settings , and make sure you uncheck Color Enhancement (True2Life®) .
	Turn the borderless feature off. Borderless printing is slower than normal printing. (See <i>Printing for Windows®</i> or <i>Printing and Faxing for Macintosh®</i> in the Software User's Guide on the CD-ROM.)
True2Life® is not working properly.	If the image data is not full color in your application (such as 256 color), True2Life® will not work. Use at least 24 bit color data with the True2Life® feature.
Machine feeds multiple pages.	Make sure the paper is loaded properly in the paper tray. (See <i>Loading paper and other media</i> on page 14.)
	Check that more than two types of paper are not loaded in the paper tray at any one time.
Printed pages are not stacked neatly.	Make sure you are using the paper support flap. (See <i>Loading paper and other media</i> on page 14.)
Printed pages double feed and cause a paper jam.	Make sure you pull out the paper support until it clicks and unfold the paper support flap.
Machine does not print from Paint Brush.	Try setting the Display setting to '256 colors.'

Printing (continued)

Difficulty	Suggestions
Machine does not print from Adobe Illustrator.	Try to reduce the print resolution. (See <i>Printing for Windows®</i> or <i>Printing and Faxing for Macintosh®</i> in the Software User's Guide on the CD-ROM.)

Printing Received Faxes

Difficulty	Suggestions
Condensed print and white streaks across the page or the top and bottom of sentences are cut off.	You probably had a bad connection, with static or interference on the telephone line. Ask the other party to send the fax again.
Vertical black lines when receiving.	The sender's scanner may be dirty. Ask the sender to make a copy to see if the problem is with the sending machine. Try receiving from another fax machine.
Received color fax prints only in black and white.	Replace the color ink cartridges that are empty or nearly empty, and then ask the other person to send the color fax again. (See <i>Replacing the ink cartridges</i> on page 131.) Check that Advanced Fax Operation is set to off. (See <i>Turning off Advanced Fax Operations</i> on page 65.)
Left and Right margins are cut off or a single page is printed on two pages.	Turn on Auto Reduction. (See <i>Printing a reduced incoming fax</i> on page 41.)


Telephone Line or Connections

Difficulty	Suggestions
Dialing does not work. (No dial tone)	Check that the machine is plugged in and that the On/Off key is on.
	Check all line cord connections.
	(Canada only) Change Tone/Pulse setting. (See the <i>Quick Setup Guide</i> .)
	Send a fax manually and wait to hear the fax receiving tone before you press Black Start or Color Start . (See <i>Sending a fax manually</i> on page 36.)
The machine does not answer when called.	Make sure the machine is in the correct receiving mode for your setup. (See <i>Choosing the Receive Mode</i> on page 38.) Check for a dial tone. If possible, call your machine to hear it answer. If there is still no answer, check the telephone line cord connection. If there is no ringing when you call your machine, ask your telephone company to check the line.

Receiving Faxes

Difficulty	Suggestions
Cannot receive a fax.	Check all line cord connections.
	Make sure the machine is in the correct receiving mode for your setup. (See <i>Receive mode settings</i> on page 40.)
	If you often have interference on the telephone line, try changing the menu setting of Compatibility to Basic . (See <i>Telephone line interference</i> on page 130.)


Sending Faxes

Difficulty	Suggestions
Cannot send a fax.	Check all line cord connections.
	Make sure that the Fax  key is illuminated. (See <i>Entering Fax mode</i> on page 30.)
	Ask the other party to check that the receiving machine has paper.
	Print the Transmission Verification Report and check for an error. (See <i>Reports</i> on page 70.)
Transmission Verification Report says 'Result:NG'.	There is probably temporary noise or static on the line. Try sending the fax again. If you send a PC FAX message and get 'Result:NG' on the Transmission Verification Report, your machine may be out of memory. To gain extra memory, you can turn off Advanced Fax Operation (see <i>Turning off Advanced Fax Operations</i> on page 65), print fax messages in memory (see <i>Printing a fax from the memory</i> on page 42) or cancel a Delayed Fax or Polling Job (see <i>Canceling a fax in progress</i> on page 31). If the problem continues, ask the telephone company to check your telephone line.
	If you often get transmission errors due to possible interference on the telephone line, try changing the menu setting of Compatibility to Basic . (See <i>Telephone line interference</i> on page 130.)
Poor fax send quality.	Try changing your resolution to Fine or S.Fine . Make a copy to check your machine's scanner operation. If the copy quality is not good, clean the scanner. (See <i>Cleaning the scanner</i> on page 134.)
Vertical black lines when sending.	Black vertical lines on faxes you send are typically caused by dirt or correction fluid on the glass strip. Clean the glass strip. (See <i>Cleaning the scanner</i> on page 134.)

Handling Incoming Calls

Difficulty	Suggestions
The machine 'Hears' a voice as a CNG Tone.	If Easy Receive is set to on, your machine is more sensitive to sounds. It may mistakenly interpret certain voices or music on the line as a fax machine calling and respond with fax receiving tones. Deactivate the machine by pressing Stop/Exit . Try avoiding this problem by turning Easy Receive to off. (See <i>Easy Receive</i> on page 41.)
Sending a fax call to the machine.	If you answered on an external or extension telephone, press your Fax Receive Code (the factory setting is * 5 1). When your machine answers, hang up.
Custom features on a single line.	If you have Call Waiting, Call Waiting/Caller ID, Voice Mail alarm system or other custom feature on a single telephone line with your machine, it may create a problem sending or receiving faxes. For example: If you subscribe to Call Waiting or some other custom service and its signal comes through the line while your machine is sending or receiving a fax, the signal can temporarily interrupt or disrupt the faxes. Brother's ECM feature should help overcome this problem. This condition is related to the telephone system industry and is common to all devices that send and receive information on a single, shared line with custom features. If avoiding a slight interruption is crucial to your business, a separate telephone line with no custom features is recommended.

Copying Difficulties

Difficulty	Suggestions
Cannot make a copy.	Make sure that the Copy  key is illuminated. (See <i>Entering Copy mode</i> on page 74.)
Vertical streaks appear in copies.	If you see vertical streaks on copies, clean the scanner. (See <i>Cleaning the scanner</i> on page 134.)
Poor copy results when using the ADF.	Try using the scanner glass. (See <i>Using the scanner glass</i> on page 10.)
Vertical black line appears in copies.	Black vertical lines on copies are typically caused by dirt or correction fluid on the glass strip. Clean the glass strip. (See <i>Cleaning the scanner</i> on page 134.)

Scanning Difficulties

Difficulty	Suggestions
TWAIN/WIA errors appear when starting to scan.	Make sure the Brother TWAIN/WIA driver is chosen as the primary source. In PaperPort™ 11SE with OCR, click File, Scan or Get Photo and click Select to choose the Brother TWAIN/WIA driver.
Poor scanning results when using the ADF.	Try using the scanner glass. (See <i>Using the scanner glass</i> on page 10.)

Software Difficulties

Difficulty	Suggestions
Cannot install software or print.	Run the Repair MFL-Pro Suite program on the CD-ROM. This program will repair and reinstall the software.
'Device Busy'	Make sure the machine is not showing an error message on the LCD.
Cannot print images from FaceFilter Studio.	To use FaceFilter Studio, you must install the FaceFilter Studio application from the CD-ROM supplied with your machine. To install FaceFilter Studio see the <i>Quick Setup Guide</i> . Also, before you start FaceFilter Studio for the first time, you must make sure your Brother machine is turned on and connected to your computer. This will allow you to access all the functions of FaceFilter Studio.

PhotoCapture Center® Difficulties

Difficulty	Suggestions
Removable Disk does not work properly.	<ol style="list-style-type: none"> 1 Have you installed the Windows® 2000 update? If not, do the following: <ol style="list-style-type: none"> 1) Unplug the USB cable. 2) Install the Windows® 2000 update using one of the following methods. <ul style="list-style-type: none"> ■ Install MFL-Pro Suite from the CD-ROM. (See the <i>Quick Setup Guide</i>.) ■ Download the latest service pack from the Microsoft Web site. 3) Wait about 1 minute after you restart the PC, and then connect the USB cable. 2 Take out the memory card or USB Flash memory drive and put it back in again. 3 If you have tried 'Eject' from within Windows®, take out the memory card or USB Flash memory drive before you continue. 4 If an error message appears when you try to eject the memory card or USB Flash memory drive, it means the card is being accessed. Wait a while and then try again. 5 If all of the above do not work, turn off your PC and machine, and then turn them on again. (You will have to unplug the power cord of the machine to turn it off.)
Cannot access Removable Disk from Desktop icon.	Make sure that you have correctly inserted the memory card or USB Flash memory drive.

Network Difficulties

Difficulty	Suggestions
Cannot print over the Network.	<p>Make sure that your machine is powered on and is online and in Ready mode. Print a Network Configuration list (see <i>Reports</i> on page 70.) and check the current Network settings printed in this list. Reconnect the LAN cable to the hub to verify that the cabling and network connections are good. If possible, try connecting the machine to a different port on your hub using a different cable. If the connections are good, the machine shows LAN Active for 2 seconds.</p> <p>(If you are having Network problems, see the Network User's Guide for more information.)</p>
The network scanning feature does not work.	<p>(For Windows® users only) Firewall settings on your PC may be rejecting the necessary network connection. Follow the instructions below to configure the Firewall. If you are using personal Firewall software, see the User's Guide for your software or contact the software manufacturer.</p> <p>For Windows® XP SP2 and Windows Vista™ users, see <i>Firewall settings</i> in the Software User's Guide on the CD-ROM.</p> <p>For Windows® XP SP1 user's, please visit the Brother Solutions Center.</p>
The network PC-Fax Receive feature does not work.	
Your computer cannot find your machine.	<p><Windows® users> Firewall settings on you PC may be rejecting the necessary network connection. (For detail, see the suggestion above for 'The network PC-Fax Receive feature does not work'.</p> <p><Macintosh® users> Re-select your machine in the Device Selector application located in Macintosh HD/Library/Printers/Brother/Utilities/DeviceSelector or from the model of ControlCenter2.</p>

Error messages

As with any sophisticated office product, errors may occur. If this happens, your machine identifies the error and shows an error message. The most common error messages are shown below.

You can correct most errors by yourself. If you need more help, the Brother Solutions Center offers the latest FAQs and troubleshooting tips.

Visit us at <http://solutions.brother.com>.

Error Message	Cause	Action
Comm. Error	Poor telephone line quality caused a communication error.	Send the fax again or connect the machine to another telephone line. If the problem continues, call the telephone company and ask them to check your telephone line.
Connection Fail	You tried to poll a fax machine that is not in Polled Waiting mode.	Check the other fax machine's polling setup.
Cover is Open.	The scanner cover is not closed completely.	Lift the scanner cover and then close it again.
	The ink cartridge cover is not completely closed.	Firmly close the ink cartridge cover until it clicks.
Data Remaining	Print data is left in the machine's memory.	Press Stop/Exit . The machine will cancel the job and clear it from the memory. Try to print again.
Disconnected	The other person or other person's fax machine stopped the call.	Try to send or receive again.
Document Jam	The document was not inserted or fed properly, or the document scanned from the ADF was too long.	See <i>Using the ADF</i> on page 9. See <i>Document jam</i> on page 128.
DR Mode in Use	The machine is set to Distinctive Ring mode. You cannot change the Receive Mode from Manual to another mode.	Set Distinctive Ring to off. (See <i>Turning off Distinctive Ring</i> on page 46.)
High Temperature	The print head is too warm.	Allow the machine to cool down.
Hub is Unusable.	A Hub or USB Flash memory drive with Hub has been connected to the USB direct interface.	A Hub or USB Flash memory drive with Hub are not supported. Unplug the device from the USB direct interface.
Image Too Long.	The proportions of your photo are irregular so effects could not be added.	choose a regularly proportioned image.
Image Too Small.	The size of your photo is too small to trim.	Choose a larger image.

Error Message	Cause	Action
Ink Empty	One or more of the ink cartridges are empty. The machine will stop all print operations. While memory is available, black and white faxes will be stored in the memory. If a sending machine has a color fax, the machine's 'handshake' will ask that the fax be sent as black and white. If the sending machine has the ability to convert it, the color fax will be stored in the memory as a black and white fax.	Replace the empty ink cartridges. (See <i>Replacing the ink cartridges</i> on page 131.)
Low Temperature	The print head is too cold.	Allow the machine to warm up.
Media Error	The memory card is either corrupted, improperly formatted, or there is a problem with the memory card.	Put the card firmly into the slot again to make sure it is in the correct position. If the error remains, check the media drive (slot) of the machine by putting in another memory card that you know is working.
Media is Full.	The memory card or USB flash memory drive you are using already contains 999 files.	Your machine can only save to your memory card or USB flash memory drive if it contains less than 999 files. Try deleting unused files to free some space and try again.
Near Empty	One or more of the ink cartridges are running out of ink. If a sending machine has a color fax, the machine's 'handshake' will ask that the fax be sent as black and white. If the sending machine has the ability to convert it, the color fax will be received into memory as a black and white fax.	Order a new ink cartridge. (See <i>Ordering accessories and supplies</i> on page iii.)
No Caller ID	There is no incoming call history. You did not receive calls or you have not subscribed to the Caller ID service from your telephone company.	If you want to use the Caller ID feature call your telephone company. (See <i>Caller ID</i> on page 47.)
No Cartridge	An ink cartridge is not installed properly.	Reinstall the ink cartridge. (See <i>Replacing the ink cartridges</i> on page 131.)
No File	The memory card or USB Flash memory drive in the media drive does not contain a .JPG file.	Put the correct memory card or USB Flash memory drive into the slot again.

Error Message	Cause	Action
No Paper Fed	The machine is out of paper or paper is not properly loaded in the paper tray.	Do one of the following: <ul style="list-style-type: none"> ■ Refill the paper in the paper tray, and then press Black Start or Color Start. ■ Remove the paper and load it again and then press Black Start or Color Start.
	The paper is jammed in the machine.	See <i>Printer jam or paper jam</i> on page 128.
No Response/Busy	The number you dialed does not answer or is busy.	Verify the number and try again.
Not Registered	You tried to access a Speed Dial number that is not programmed.	Set up the Speed Dial number. (See <i>Storing Speed Dial numbers</i> on page 56.)
Out of Memory	The machine's memory is full.	Fax sending or copy operation in progress Do one of the following: <ul style="list-style-type: none"> ■ Press Stop/Exit and wait until the other operations in progress finish and then try again. ■ Clear the data in the memory. To gain extra memory, you can turn off <i>Advanced Fax Operation</i>. (See <i>Turning off Advanced Fax Operations</i> on page 65.) ■ Print the faxes that are in the memory. (See <i>Printing a fax from the memory</i> on page 42.)
	The memory card or USB flash memory drive you are using does not have enough free space to scan the document.	Delete unused files from your memory card or USB Flash memory drive to make some free space and then try again.
Paper Jam	Paper is jammed in the machine.	Open the Jam Clear Cover (at the back of the machine) and remove the jammed paper. (See <i>Printer jam or paper jam</i> on page 128.)
Unable to Clean XX Unable to Init. XX Unable to Print XX Unable to Scan XX	The machine has a mechanical problem. —OR— A foreign object such as a clip or ripped paper is in the machine.	Open the scanner cover and remove any foreign objects inside the machine. If the error message continues, do one of the following: <ul style="list-style-type: none"> ■ See <i>Transferring your faxes or Fax Journal report</i> on page 126 before disconnecting the machine so you will not lose any important messages. Then, disconnect the machine from the power for several minutes and then reconnect it.

Error Message	Cause	Action
Unusable Device Disconnect device from front connect or & turn machine off & then on	A broken device has been connected to the USB direct interface.	Unplug the device from the USB direct interface, then press On/Off to turn the machine off and then on again.
Unusable Device Please Disconnect USB Device.	A USB device or USB Flash memory drive that is not supported has been connected to the USB direct interface. For more information, visit us at http://solutions.brother.com .	Unplug the device from the USB direct interface.
Wrong Paper Size	Paper is not the correct size.	Load the correct size of paper (Letter, Legal or A4), and then press Black Start or Color Start .

Error animation

Error animation displays step-by-step instructions when paper gets jammed or ink cartridges become empty. You can read the steps at your own pace by pressing **▶** to see the next step and **◀** to go backward. If you do not press a key after 1 minute, the animation starts running automatically again.



Note

You can press **◀**, **▶** or **OK** to pause the auto-animation and go back to step-by-step mode.

Transferring your faxes or Fax Journal report

If the LCD shows:

- Unable to Clean XX
- Unable to Init. XX
- Unable to Print XX
- Unable to Scan XX

We recommend transferring your faxes to another fax machine or to your PC. (See *Transferring faxes to another fax machine* on page 127 or *Transferring faxes to your PC* on page 127.)

You can also transfer the Fax Journal report to see if there are any faxes you need to transfer. (See *Transferring Fax Journal report to another fax machine* on page 127.)



Note

If there is an error message on the machine's LCD, after the faxes have been transferred, disconnect the machine from the power source for several minutes, and then reconnect it.

Transferring faxes to another fax machine

If you have not set up your Station ID, you cannot enter fax transfer mode.

- 1 Press **Stop/Exit** to interrupt the error temporarily.
- 2 Press **Menu**.
- 3 Press **▲** or **▼** to choose *Service*. Press **OK**.
- 4 Press **▲** or **▼** to choose *Data Transfer*. Press **OK**.
- 5 Press **▲** or **▼** to choose *Fax Transfer*. Press **OK**.
- 6 Do one of the following:
 - If the LCD shows *No Data*, there are no faxes left in the machine's memory.
Press **Stop/Exit**.
 - Enter the fax number to which faxes will be forwarded.
- 7 Press **Black Start**.

Transferring faxes to your PC

You can transfer the faxes from your machine's memory to your PC.

- 1 Press **Stop/Exit** to interrupt the error temporarily.
- 2 Make sure you have installed **MFL-Pro Suite** on your PC, and then turn on **PC FAX Receiving** on the PC. (For details see *PC- FAX receiving* for Windows® in the Software User's Guide on the CD-ROM.)

- 3 Make sure you have set **PC Fax Receive** on the machine. (See *PC Fax Receive* on page 63.)
If faxes are in the machine's memory when you set up **PC Fax Receive**, the LCD will ask if you want to transfer the faxes to your PC.

- 4 Do one of the following:
 - To transfer all faxes to your PC, press **1**. You will be asked if you want a backup print.
 - To exit and leave the faxes in the memory, press **2**.

- 5 Press **Stop/Exit**.

Transferring Fax Journal report to another fax machine

If you have not set up your Station ID, you cannot enter fax transfer mode.

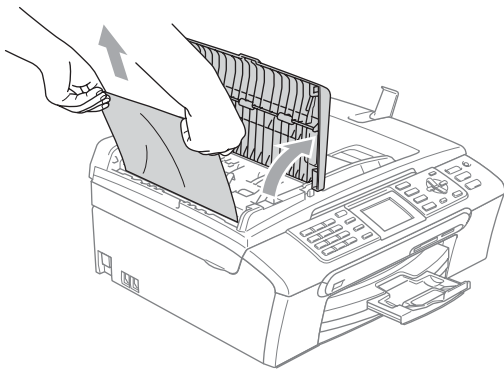
- 1 Press **Stop/Exit** to interrupt the error temporarily.
- 2 Press **Menu**.
- 3 Press **▲** or **▼** to choose *Service*. Press **OK**.
- 4 Press **▲** or **▼** to choose *Data Transfer*. Press **OK**.
- 5 Press **▲** or **▼** to choose *Report Trans..* Press **OK**.
- 6 Enter the fax number to which Fax Journal report will be forwarded.
- 7 Press **Black Start**.

Document jam

Documents can jam in the ADF unit if they are not inserted or fed properly, or if they are too long. Follow the steps below to clear a document jam.

Document is jammed in the top of the ADF unit

- 1 Take out any paper from the ADF that is not jammed.
- 2 Open the ADF cover.
- 3 Pull the jammed document up and to the left.



- 4 Close the ADF cover.
- 5 Press **Stop/Exit**.



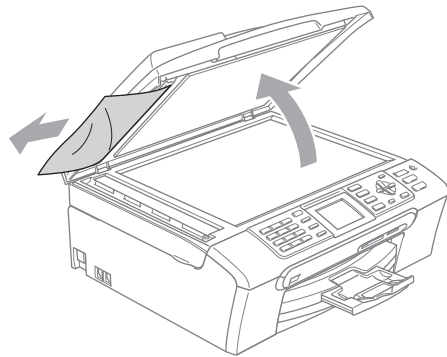
Note

To avoid document jams close the ADF cover properly by pressing it down in the middle.

Document is jammed inside the ADF unit

- 1 Take out any paper from the ADF that is not jammed.
- 2 Lift the document cover.

- 3 Pull the jammed document out to the left.

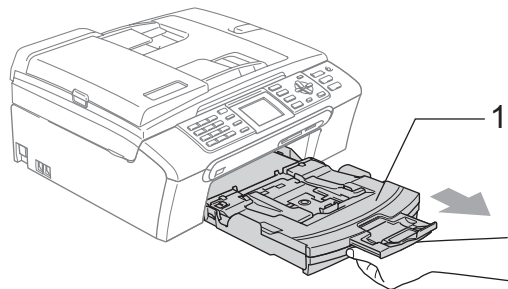


- 4 Close the document cover.
- 5 Press **Stop/Exit**.

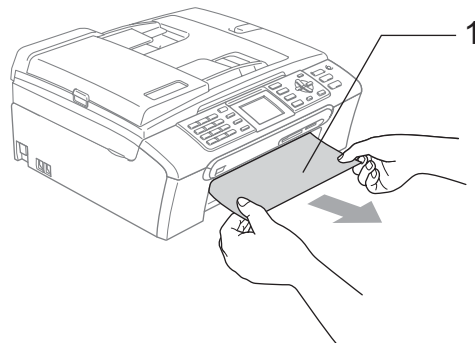
Printer jam or paper jam

Take out the jammed paper depending on where it is jammed in the machine.

- 1 Pull the paper tray (1) out of the machine.

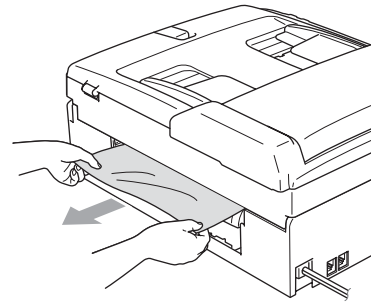


- 2 Pull out the jammed paper (1).

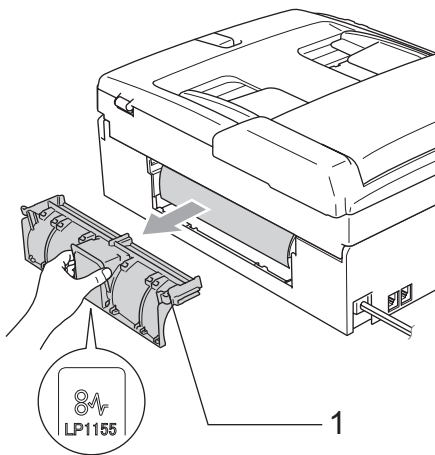


3 Reset the machine by lifting the scanner cover from the front of the machine and then closing it.

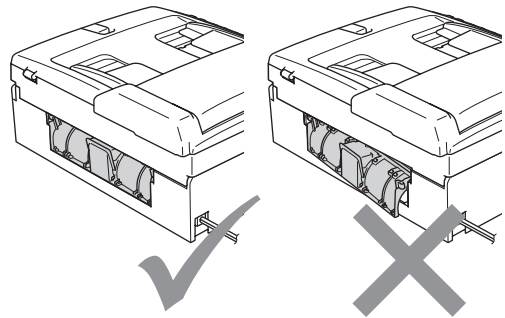
- If you cannot remove the jammed paper from the front of the machine, or the error message still appears on the LCD after you have removed the jammed paper, please go to the next step.



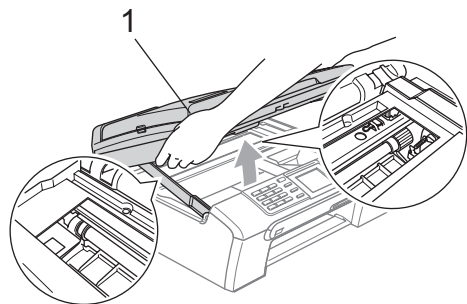
4 Remove the Jam Clear Cover (1) from the back of the machine. Pull the jammed paper out of the machine.



5 Put the Jam Clear Cover back on. Make sure the cover is set properly.

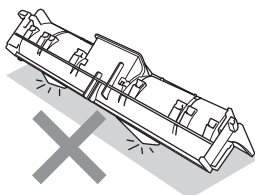


6 Using both hands, use the plastic tabs on both sides of the machine to lift the scanner cover (1) until it locks securely into the open position. Make sure that there is no jammed paper left in the corners of the machine.



CAUTION

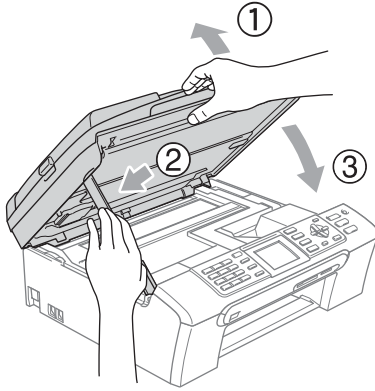
DO NOT place the jam clear cover face down as shown in the illustration. You may damage the cover and cause paper jams.



Note

If the paper is jammed under the print head, unplug the machine from the power source, and then move the print head to take out the paper.

- 7 Lift the scanner cover to release the lock (1). Gently push the scanner cover support down (2) and close the scanner cover (3).

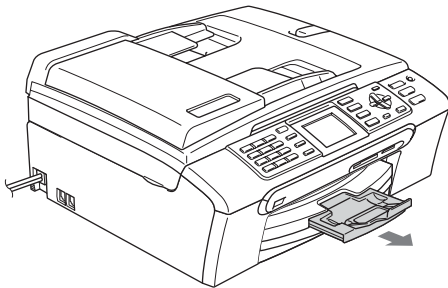


- 8 Push the paper tray firmly back into the machine.



Note

Make sure you pull out the paper support until it clicks.



Dial Tone

Setting the dial tone to Detection will shorten the dial detect pause.

- 1 Press **Menu**.
- 2 Press **▲** or **▼** to choose **Initial Setup**. Press **OK**.
- 3 Press **▲** or **▼** to choose **Dial Tone**. Press **OK**.

- 4 Press **▲** or **▼** to choose **Detection** or **No Detection**. Press **OK**.

- 5 Press **Stop/Exit**.

Telephone line interference

If you are having problems sending or receiving a fax due to possible interference on the telephone line, you can change the compatibility setting, which reduces the modem speed to minimise errors.

- 1 Press **Menu**.
- 2 Press **▲** or **▼** to choose **Fax**. Press **OK**.
- 3 Press **▲** or **▼** to choose **Miscellaneous**. Press **OK**.
- 4 Press **▲** or **▼** to choose **Compatibility**. Press **OK**.
- 5 Press **▲** or **▼** to choose **Normal** (or **Basic**).
 - **Basic** reduces the modem speed to 9600 bps. Unless interference is a recurring problem on your telephone line, you may prefer to use it only when needed.
 - **Normal** sets the modem speed at 14400 bps. (factory setting)Press **OK**.

- 6 Press **Stop/Exit**.



Note

When you change the compatibility to **Basic**, the ECM feature is only available for color fax sending.

Routine maintenance

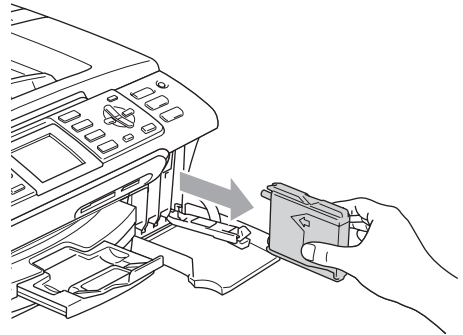
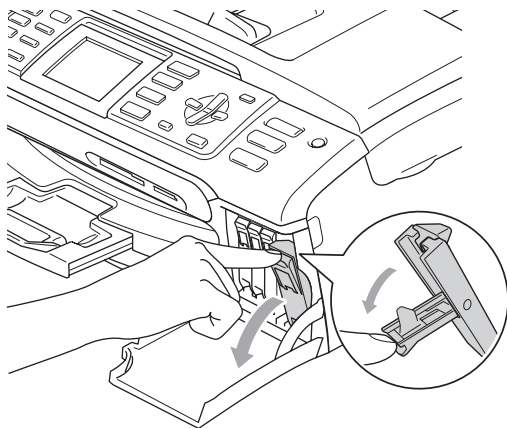
Replacing the ink cartridges

Your machine is equipped with an ink dot counter. The ink dot counter automatically monitors the level of ink in each of the 4 cartridges. When the machine detects an ink cartridge is running out of ink, the machine will tell you with a message on the LCD.

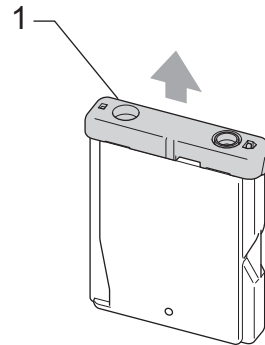
The LCD will tell you which ink cartridge is low or needs replacing. Be sure to follow the LCD prompts to replace the ink cartridges in the correct order.

Even though the machine tells you that an ink cartridge is empty, there will be a small amount of ink left in the ink cartridge. It is necessary to keep some ink in the ink cartridge to prevent air from drying out and damaging the print head assembly.

- 1 Open the ink cartridge cover. If one or more ink cartridges are empty, for example Black, the LCD shows Ink Empty and **BK** Black.
- 2 Pull the lock release lever down and take out the ink cartridge for the color shown on the LCD.

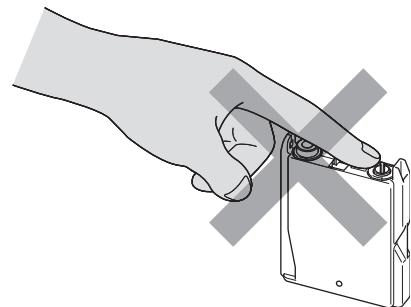


- 3 Open the new ink cartridge bag for the color shown on the LCD, and then take out the ink cartridge.
- 4 Remove the protective yellow cap (1).



⊘ Improper Setup

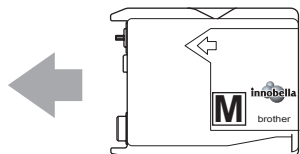
DO NOT touch the area shown in the illustration below.



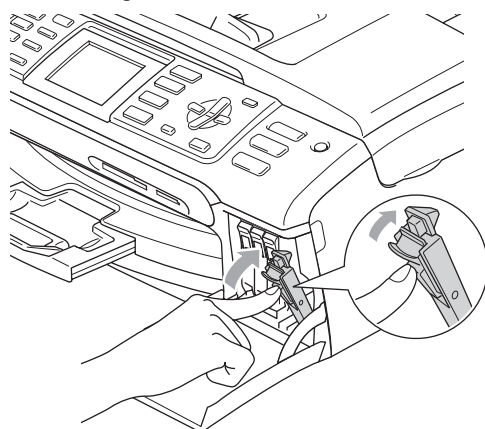
 **Note**

If the protective yellow caps come off when you open the bag, the cartridge will not be damaged.

- 5 Each color has its own correct position. Insert the ink cartridge in the direction of the arrow on the label.



- 6 Lift the lock release lever and push it until it clicks, and then close the ink cartridge cover.



- 7 The machine will automatically reset the ink dot counter.

 **Note**

- If you replaced an ink cartridge, the LCD will ask you to verify that it was a brand new one. (For example, Did You Change **BK** Black) For each new cartridge you installed, press **1** (Yes) to automatically reset the ink dot counter for that color. If the ink cartridge you installed is not a brand new one, be sure to press **2** (No).
- If the LCD shows No Cartridge after you install the ink cartridges, check that the ink cartridges are installed properly.

 **WARNING**

If ink gets in your eyes, wash them out with water at once and call a doctor if you are concerned.

 **CAUTION**

DO NOT take out ink cartridges if you do not need to replace them. If you do so, it may reduce the ink quantity and the machine will not know the quantity of ink left in the cartridge.

DO NOT touch the cartridge insertion slots. If you do so, the ink may stain your skin.

If ink stains your skin or clothing, wash with soap or detergent at once.

If you mix the colors by installing an ink cartridge in the wrong position, clean the print head several times after correcting the cartridge installation.

Once you open an ink cartridge, install it in the machine and use it up within six months of installation. Use unopened ink cartridges by the expiration date written on the cartridge package.

DO NOT dismantle or tamper with the ink cartridge, this can cause the ink to leak out of the cartridge.

Brother strongly recommends that you do not refill the ink cartridges provided with your machine. We also strongly recommend that you continue to use only Genuine Brother Brand replacement ink cartridges. Use or attempted use of potentially incompatible ink and/or cartridges in the Brother machine may cause damage to the machine and/or may result in unsatisfactory print quality. Our warranty coverage does not apply to any problem that is caused by the use of unauthorized third party ink and/or cartridges. To protect your investment and obtain premium performance from the Brother machine, we strongly recommend the use of Genuine Brother Supplies.

Cleaning the outside of the machine

! CAUTION

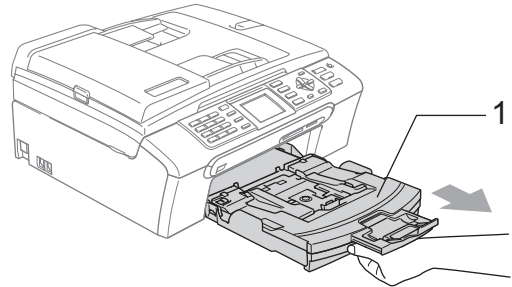
Use neutral detergents. Cleaning with volatile liquids such as thinner or benzine will damage the outside surface of the machine.

DO NOT use cleaning materials that contain ammonia.

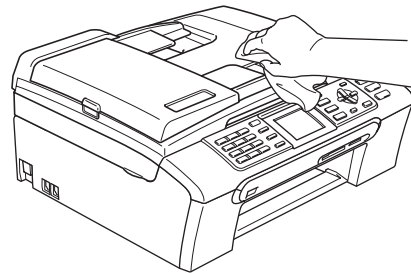
DO NOT use isopropyl alcohol to remove dirt from the control panel. It may crack the panel.

Clean the outside of the machine as follows:

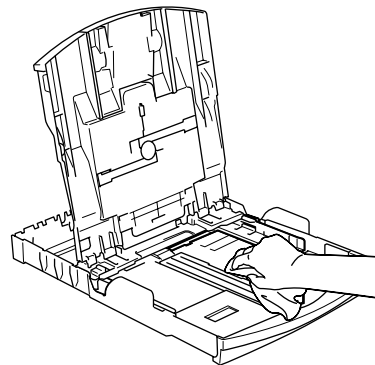
- 1 Pull the paper tray (1) completely out of the machine.



- 2 Wipe the outside of the machine with a soft cloth to remove dust.



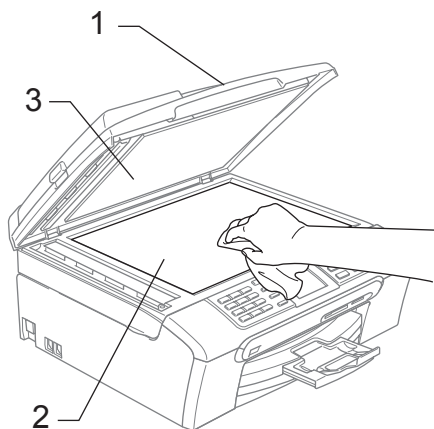
- 3 Remove anything that is stuck inside the paper tray.
- 4 Wipe the paper tray with a soft cloth to remove dust.



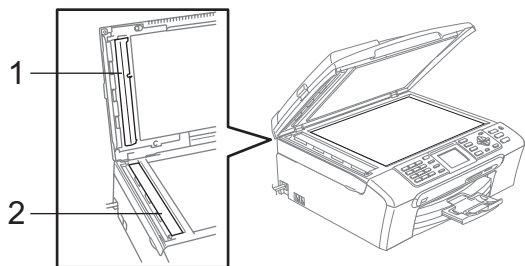
- 5 Put the paper tray firmly back in the machine.

Cleaning the scanner

- 1 Lift the document cover (1). Clean the scanner glass (2) and the white plastic (3) with a soft lint-free cloth moistened with a non-flammable glass cleaner.



- 2 In the ADF unit, clean the white bar (1) and the glass strip (2) with a lint-free cloth moistened with a non-flammable glass cleaner.



Note

In addition to cleaning the scanner glass and glass strip with a non-flammable glass cleaner, run your finger tip over the glass to see if you can feel anything on it. If you feel dirt or debris, clean the glass again concentrating on that area. You may need to repeat the cleaning process three or four times. To test, make a copy after each cleaning.

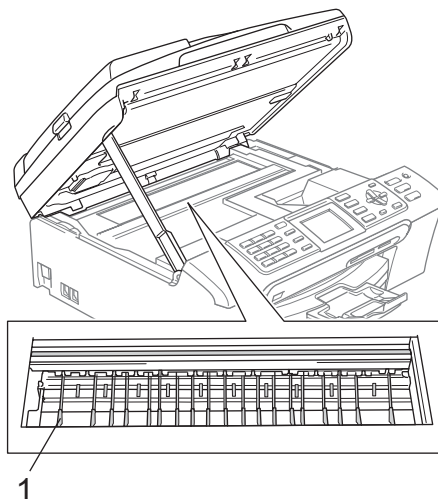
Cleaning the machine printer platen

! WARNING

Be sure to unplug the machine from the AC power outlet before cleaning the printer platen (1).

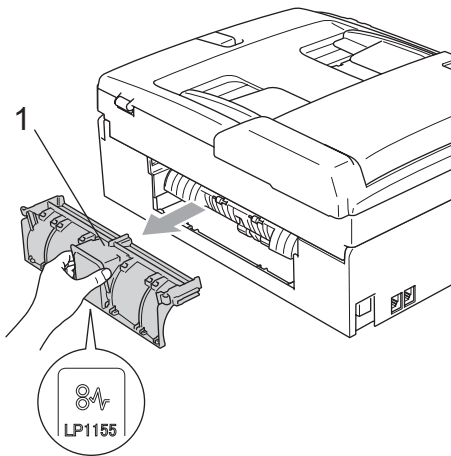
If ink is scattered on or around the printer platen wipe it off with a soft, *dry*, lint-free cloth.

- 1 Using both hands, use the plastic tabs on both sides of the machine to lift the scanner cover until it locks securely into the open position.
- 2 Clean the machine printer platen (1).



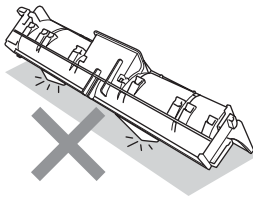
Cleaning the paper pick-up roller

- 1 Pull the paper tray completely out of the machine.
- 2 Unplug the machine from the AC power outlet and remove the Jam Clear Cover (1).

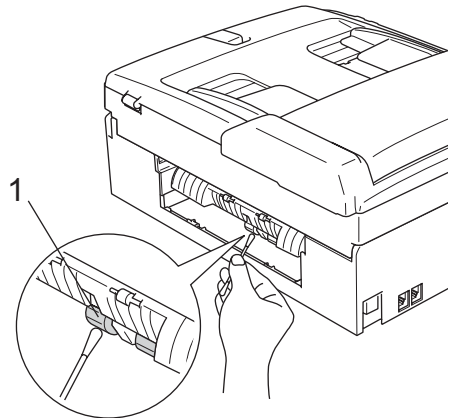


! CAUTION

DO NOT place the jam clear cover face down as shown in the illustration. You may damage the cover and cause paper jams.



- 3 Clean the paper pick-up roller (1) with isopropyl alcohol on a cotton swab.



- 4 Put the Jam Clear Cover back on. Make sure the cover is set properly.
- 5 Put the paper tray firmly back in the machine.
- 6 Re-connect the power cord.

Cleaning the print head

To maintain good print quality, the machine will automatically clean the print head. You can start the cleaning process manually if there is a print quality problem.

Clean the print head and ink cartridges if you get a horizontal line in the text or graphics on your printed pages. You can clean Black only, three colors at a time (Cyan/Yellow/Magenta), or all four colors at once.

Cleaning the print head consumes ink. Cleaning too often uses ink unnecessarily.

! CAUTION

DO NOT touch the print head. Touching the print head may cause permanent damage and may void the print head's warranty.

- 1 Press **Ink**.
- 2 Press ▲ or ▼ to choose **Cleaning**. Press **OK**.
- 3 Press ▲ or ▼ to choose **Black, Color** or **All**. Press **OK**.
The machine cleans the print head.
When cleaning is finished, the machine will go back to standby mode automatically.



Note

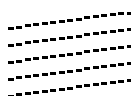
If you clean the print head at least five times and the print has not improved, call Brother Customer Service. (See *Brother numbers* on page i.)

Checking the print quality

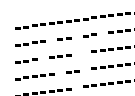
If faded or streaked colors and text appear on your output, some of the nozzles may be clogged. You can check this by printing the Print Quality Check Sheet and looking at the nozzle check pattern.

- 1 Press **Ink**.
- 2 Press ▲ or ▼ to choose **Test Print**. Press **OK**.
- 3 Press ▲ or ▼ to choose **Print Quality**. Press **OK**.
- 4 Press **Color Start**.
The machine begins printing the Print Quality Check Sheet.
- 5 Check the quality of the four color blocks on the sheet.
- 6 The LCD asks you if the print quality is OK.
Do one of the following:
 - If all lines are clear and visible, press **1 (Yes)** to finish the Print Quality check.
Go to step 10.
 - If you can see missing short lines as shown below, press **2** to choose **No**.

OK



Poor



- 7 The LCD asks you if the print quality is OK for black and three colors.
Press **1 (Yes)** or **2 (No)**.
- 8 The LCD asks you if you want to start cleaning.
Press **1 (Yes)**.
The machine starts cleaning the print head.
- 9 After cleaning is finished, press **Color Start**.
The machine starts printing the Print Quality Check Sheet again and then return to step 5.
- 10 Press **Stop/Exit**.
If you repeat this procedure at least five times and the print quality is still poor, replace the ink cartridge for the clogged color.
After replacing the ink cartridge, check the print quality. If the problem still exists, repeat the cleaning and test print procedures at least five times for the new ink cartridge. If ink is still missing, call Brother Customer Service. (See *Brother numbers* on page i.)

! CAUTION

DO NOT touch the print head. Touching the print head may cause permanent damage and may void the print head's warranty.

 **Note**



When a print head nozzle is clogged the printed sample looks like this.



After the print head nozzle is cleaned, the horizontal lines are gone.

Checking the print alignment

You may need to adjust the print alignment after transporting the machine if your printed text becomes blurred or images become faded.

- 1 Press **Ink**.
- 2 Press **▲** or **▼** to choose **Test Print**. Press **OK**.
- 3 Press **▲** or **▼** to choose **Alignment**. Press **OK**.
- 4 Press **Black Start** or **Color Start**. The machine starts printing the Alignment Check Sheet.
- 5 Check the 600 dpi and 1200 dpi test prints to see if number 5 most closely matches number 0.

- 6 Do one of the following:
 - If the number 5 samples of both the 600 dpi and 1200 dpi test prints are the best matches, press **1 (Yes)** to finish the Alignment Check. Go to step 9
 - If another test print number is a better match for either 600 dpi or 1200 dpi, press **2 (No)** to choose it.
- 7 For 600 dpi, press the number of the test print that most closely matches the number 0 sample (1-8).
- 8 For 1200 dpi, press the number of the test print that most closely matches the number 0 sample (1-8).
- 9 Press **Stop/Exit**.

Checking the ink volume

Although an ink volume icon appears on the LCD, you can use the **Ink** key to see a large graph showing the ink that is left in each cartridge.

- 1 Press **Ink**.
- 2 Press **▲** or **▼** to choose **Ink Volume**. Press **OK**. The LCD shows the ink volume.
- 3 Press **Stop/Exit**.

 **Note**

You can check the ink volume from your computer. (See *Printing for Windows®* or *Printing and Faxing for Macintosh®* in the Software User's Guide on the CD-ROM.)

Machine Information

Checking the serial number

You can see the machine's serial number on the LCD.

- 1 Press **Menu**.
- 2 Press **▲** or **▼** to choose `Machine Info..`
Press **OK**.
- 3 Press **▲** or **▼** to choose `Serial No..`
Press **OK**.
- 4 Press **Stop/Exit**.

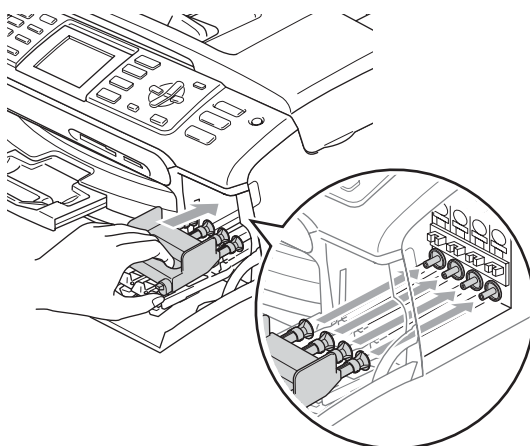
Packing and shipping the machine

When you transport the machine, use the packing materials that came with your machine. If you do not pack the machine properly, you could void your warranty.

! CAUTION

It is important to allow the machine to 'park' the print head after a print job. Listen carefully to the machine before unplugging it to make sure that all mechanical noise has stopped. Not allowing the machine to finish this parking process may lead to print problems and possible damage to the print head.

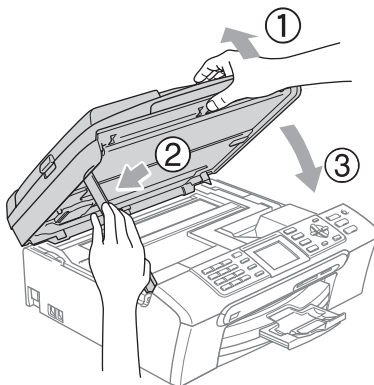
- 1 Open the ink cartridge cover.
- 2 Pull the lock release levers down and take out all the ink cartridges. (See *Replacing the ink cartridges* on page 131.)
- 3 Install the yellow protective part, lift each lock release lever and push it until it clicks and then close the ink cartridge cover.



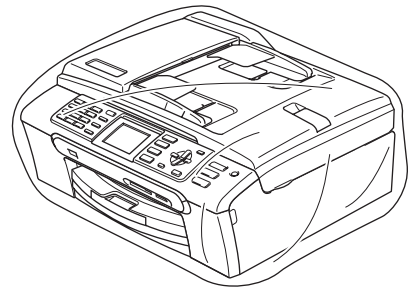
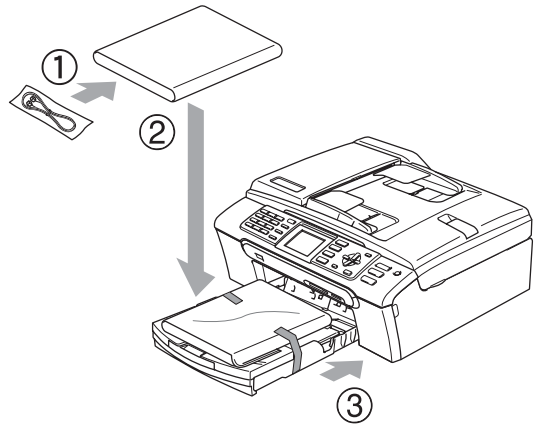
! CAUTION

If you are not able to find the yellow protective part, DO NOT remove the ink cartridges before shipping. It is essential that the machine be shipped with either the yellow protective part or the ink cartridges in position. Shipping without them will cause damage to your machine and may void your warranty.

- 4 Unplug the machine from the telephone wall jack and take the telephone line cord out of the machine.
- 5 Unplug the machine from the AC power outlet.
- 6 Using both hands, use the plastic tabs on both sides of the machine to lift the scanner cover until it locks securely into the open position. Then unplug the interface cable from the machine, if it is connected.
- 7 Lift the scanner cover (1) to release the lock. Gently push the scanner cover support down (2) and close the scanner cover (3).



- 8 Wrap the machine in the bag and put it in the original carton with the original packing material.

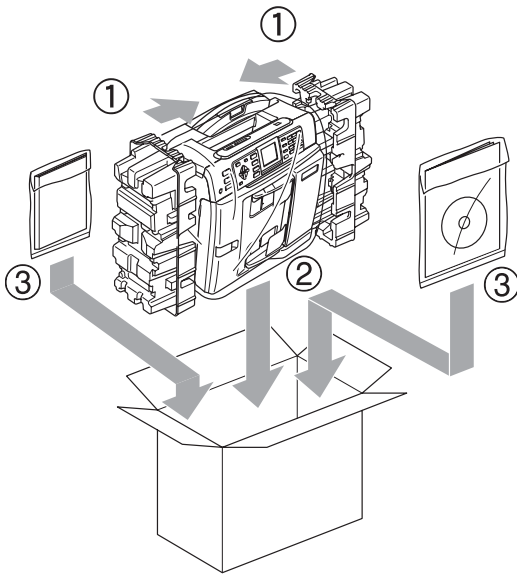


- 9 Pack the printed materials in the original carton as shown below. Do not pack the used ink cartridges in the carton.



Note

If you are returning your machine to Brother as part of the Exchange Service, pack *only* the machine. Keep all separate parts and printed materials to use with your 'Exchange' machine.



- 10 Close the carton and tape it shut.

On-screen programming

Your machine is designed to be easy to use with LCD on-screen programming using the menu keys. User-friendly programming helps you take full advantage of all the menu selections your machine has to offer.

Since your programming is done on the LCD, we have created step-by-step on-screen instructions to help you program your machine. All you need to do is follow the instructions as they guide you through the menu selections and programming options.









Menu table

You can program your machine by using the Menu table that begins on page 142. These pages list the menu selections and options.

Memory storage

Even if there is a power failure, you will not lose the settings you have chosen using the Menu key because they are stored permanently. Also, you will not lose your settings in the PhotoCapture, Fax and Copy mode key menus if you have chosen *Set New Default*. You may have to reset the date and time.

Mode and menu keys

	Access the main menu.
Fax  Scan  Copy  Photo Capture 	Access the mode and its menu of temporary settings.
▲	Scroll through the current menu level.
▼	Scroll through the current menu level.
◀	Go back to the previous menu level.
▶	Go to the next menu level.
OK 	<ul style="list-style-type: none"> ■ Go to the next menu level. ■ Accept an option.
Clear / Back 	<ul style="list-style-type: none"> ■ Cancel the current operation. ■ Go back to the previous menu level.
Stop / Exit 	<ul style="list-style-type: none"> ■ Stop the current operation.

Menu table


The menu table will help you understand the menu selections and options that are found in the machine's programs. The factory settings are shown in Bold with an asterisk.

Menu

Level1	Level2	Level3	Options	Descriptions	Page	
General Setup	Mode Timer	—	Off 0 Sec 30 Secs 1 Min 2 Mins* 5 Mins	Sets the time to return to Fax mode.	21	
	Paper Type	—	Plain Paper* Inkjet Paper Brother Photo Other Photo Transparency	Sets the type of paper in the paper tray.	22	
	Paper Size	—	Letter* Legal A4 A5 4"x6"	Sets the size of the paper in the paper tray.	22	
	Volume	Ring		Off Low Med* High	Adjusts the ring volume.	23
		Beeper		Off Low* Med High	Adjusts the volume level of the beeper.	23
		Speaker		Off Low Med* High	Adjusts the speaker volume.	23
	Auto Daylight	—	On Off*	Changes for Daylight Savings Time automatically.	24	




The factory settings are shown in Bold with an asterisk.


Level1	Level2	Level3	Options	Descriptions	Page
General Setup (Continued)	On/Off Setting	—	Fax Receive:On Fax Receive:Off*	Customizes the On/Off key to receive faxes even in off mode.	20
		LCD Settings	LCD Contrast	Light Med* Dark	Adjusts the contrast of the LCD.
	Backlight		Light* Dark	You can adjust the brightness of the LCD backlight.	24
	Dim Timer		Off 10 Secs 20 Secs 30 Secs*	You can set how long the LCD backlight stays on after the last key press.	25
	Off Timer		Off* 1 Min 2 Mins 3 Mins 5 Mins 10 Mins 30 Mins	You can set how long the LCD stays on for after the last key press.	25
	Wallpaper	—	You can choose the wallpaper of the LCD.	25	
Fax	Setup Receive	Ring Delay	0 1 2 3 4*	Sets the number of rings before the machine answers in Fax Only or Fax/Tel mode.	40
		F/T Ring Time	20 Sec* 30 Sec 40 Sec 70 Sec	Sets the F/T pseudo/double-ring time in Fax/Tel mode.	40
		Easy Receive	On* Off	Receives fax messages without pressing the Black Start or Color Start key.	41
 The factory settings are shown in Bold with an asterisk.					


Level1	Level2	Level3	Options	Descriptions	Page
Fax (Continued)	Setup Receive (Continued)	Remote Codes	On* (*51, #51) Off	Allows you to answer all calls at an extension or external telephone and use codes to turn the machine on or off. You can personalize these codes.	53
		Auto Reduction	On* Off	Reduces the size of incoming faxes.	41
	Report Setting	Transmission	On On+Image Off* Off+Image	Initial setup for Transmission Verification Report and Fax Journal Report.	69
		Journal Period	Off Every 50 Faxes* Every 6 Hours Every 12 Hours Every 24 Hours Every 2 Days Every 7 Days		69
	Advanced Fax Operation	Fwd/Page/Store	Off* Fax Forward Paging Fax Storage PC Fax Receive	Sets the machine to forward fax messages, to call your pager, to store incoming faxes in the memory (so you can retrieve them while you are away from your machine) or to send faxes to your PC.	61
		Remote Access	Access Code: ---*	Set your own code for Remote Retrieval.	66
		Print Fax (Backup Print)	—	Prints incoming faxes stored in the memory.	42
	Remaining Jobs	—	—	Check which jobs are in the memory and lets you cancel chosen jobs.	35




The factory settings are shown in Bold with an asterisk.


Level1	Level2	Level3	Options	Descriptions	Page
Fax (Continued)	Miscellaneous	TX Lock	—	Prohibits most operations other than receiving faxes.	26
		Compatibility	Normal* Basic	Adjusts the modem speed to help resolve transmission problems.	130
		Distinctive	Off* Set (On)	Uses the Telephone company's Distinctive Ring subscriber service to register the ring pattern with the machine.	45
		Caller ID	Display# Print Report Area Code (USA only)	View or print a list of the last 30 Caller IDs stored in the memory. Set up your 3-digit area code only if you do not dial it within your own area code.	47
LAN	TCP/IP	BOOT Method	Auto* Static RARP BOOTP DHCP	Chooses the BOOT method that best suits your needs.	See <i>Network User's Guide on the CD-ROM.</i>
		IP Address	[000-255]. [000-255]. [000-255]. [000-255]	Enter the IP address.	
		Subnet Mask	[000-255]. [000-255]. [000-255]. [000-255]	Enter the Subnet mask.	
		Gateway	[000-255]. [000-255]. [000-255]. [000-255]	Enter the Gateway address.	
		Node Name	BRNXXXXXXXXXXXX	Enter the Node name.	
		WINS Config	Auto* Static	Chooses the WINS configuration mode.	
 The factory settings are shown in Bold with an asterisk.					

Level1	Level2	Level3	Options	Descriptions	Page
LAN (Continued)	TCP/IP (Continued)	WINS Server	(Primary) 000.000.000.000 (Secondary) 000.000.000.000	Specifies the IP address of the primary or secondary server.	See <i>Network User's Guide on the CD-ROM.</i>
		DNS Server	(Primary) 000.000.000.000 (Secondary) 000.000.000.000	Specifies the IP address of the primary or secondary server.	
		APIPA	On* Off	Automatically allocates the IP address from the link-local address range.	
	Setup Misc.	Ethernet	Auto* 100B-FD 100B-HD 10B-FD 10B-HD	Chooses the Ethernet link mode.	
	Factory Reset	—	Yes No	Restores all network settings to the factory default.	
Print Reports	Transmission	—	—	Prints these lists and reports.	70
	Help List	—	—		
	Quick Dial	—	—		
	Fax Journal	—	—		
	User Settings	—	—		
	Network Config	—	—		
Machine Info.	Serial No.	—	—	Lets you check the serial number of your machine.	138
Initial Setup	Receive Mode	—	Fax Only* Fax/Tel External TAD Manual	Choose the receive mode that best suits your needs.	38
	Date&Time	—	—	Puts the date and time on the LCD and in headings of faxes you send.	See <i>Quick Setup Guide.</i>
 The factory settings are shown in Bold with an asterisk.					


Level1	Level2	Level3	Options	Descriptions	Page
Initial Setup (Continued)	Station ID	—	Station ID Fax: Station ID Name:	Set your name and fax number to appear on each page you fax.	See <i>Quick Setup Guide</i> .
	Tone/Pulse (Canada only)	—	Tone* Pulse	Choose the dialing mode.	
	Dial Tone	—	Detection No Detection*	You can shorten the dial tone detect pause.	130
	Local Language (Canada only)	—	English* French	Allows you to change the LCD language for your country.	See <i>Quick Setup Guide</i> .
 The factory settings are shown in Bold with an asterisk.					


Fax

Level1	Level2	Level3	Options	Descriptions	Page
Fax Resolution	—	—	Standard* Fine S.Fine Photo	Sets the resolution for outgoing faxes.	33
Contrast	—	—	Auto* Light Dark	Changes the lightness or darkness of faxes you send.	33
Speed Dial	Search	—	Alphabetical Order Numerical Order	You can dial by pressing only a few keys (and Start).	54
	Set Speed Dial	—	—	Stores Speed Dial numbers, so you can dial by pressing only a few keys (and Start).	56
	Setup Groups	—	—	Sets up a Group number for Broadcasting.	59
Outgoing Call	Send a fax Add to Speed Dial Delete	—	—	You can choose a number from the Outgoing Call history and then send a fax to it, add it to Speed Dial, or delete it.	55
Caller ID hist.	Send a fax Add to Speed Dial Delete	—	—	You can choose a number from the Caller ID history and then send a fax to it, add it to Speed Dial, or delete it.	55
 The factory settings are shown in Bold with an asterisk.					


Level1	Level2	Level3	Options	Descriptions	Page
Broadcasting	Add Number Complete	—	—	You can send the same fax message to more than one fax number.	32
Delayed Fax	—	—	On Off*	Sets the time of day in 24-hour format that the delayed faxes will be sent.	35
Batch TX	—	—	On Off*	Combines delayed faxes to the same fax number at the same time of day into one transmission.	35
Real Time TX	—	—	On Off*	You can send a fax without using the memory.	34
Polled TX	—	—	On Off*	Sets up your machine with an document to be retrieved by another fax machine.	72
Polling RX	—	—	On Off*	Sets up your machine to poll another fax machine.	71
Overseas Mode	—	—	On Off*	If you are having difficulty sending faxes overseas, set this to On.	35
Scan Size	—	—	A4 Letter*	Adjust the scan area of the scanner glass to the size of the document.	31
Set New Default	—	—	Yes No	You can save your fax settings.	36
Factory Reset	—	—	Yes No	You can restore all settings to the factory settings.	36
 The factory settings are shown in Bold with an asterisk.					

Scan ()

Level1	Option1	Option2	Option3	Descriptions	Page
Scan to E-mail	—	—	—	You can scan a black & white or a color document into your E-mail application.	See <i>Software User's Guide on the CD-ROM.</i>
Scan to Image	—	—	—	You can scan a color picture into your graphics application.	
Scan to OCR	—	—	—	You can have your text document converted to an editable text file.	
Scan to File	—	—	—	You can scan a black & white or a color document into your computer.	
 The factory settings are shown in Bold with an asterisk.					

Level1	Option1	Option2	Option3	Descriptions	Page
Scan to Media (when a memory card or USB Flash memory drive is inserted)	150dpi Color *	PDF*/JPEG	(File Name)	You can choose the scan resolution, file format and enter a file name for your document.	96
	300dpi Color	PDF*/JPEG	XXXXXXXXXX		
	600dpi Color	PDF*/JPEG			
	200x100dpi B/W	TIFF*/PDF			
	200dpi B/W	TIFF*/PDF			
 The factory settings are shown in Bold with an asterisk.					

Copy

Level1	Level2	Level3	Options	Descriptions	Page
Quality	—	—	Fast Normal* Best	Choose the Copy resolution for your type of document.	75
Enlarge/Reduce	—	—	50% 69% A4→A5 78% LGL→LTR 83% LGL→A4 93% A4→LTR 97% LTR→A4 100%* 104% EXE→LTR 142% A5→A4 186% 4"x6"→LTR 198% 4"x6"→A4 200% Custom(25-400%)	You can choose the enlargement or reduction ratio for your type of document.	75
Paper Type	—	—	Plain Paper* Inkjet Paper Brother Photo Other Photo Transparency	Choose the paper type that matches the paper in the tray.	78
Paper Size	—	—	Letter* Legal A4 A5 4"x6"	Choose the paper size that matches the paper in the tray.	79
 The factory settings are shown in Bold with an asterisk.					

Level1	Level2	Level3	Options	Descriptions	Page
Brightness	—	—	Light +2 +1 0 -1 -2 Dark	Adjusts the brightness of copies.	77
Contrast	—	—	+2 +1 0 -1 -2	Adjusts the contrast of copies.	77
Color Adjust	Red	—	+2 +1 0 -1 -2	Adjusts the amount of Red in copies.	78
	Green	—	+2 +1 0 -1 -2	Adjusts the amount of Green in copies.	
	Blue	—	+2 +1 0 -1 -2	Adjusts the amount of Blue in copies.	
Stack/Sort	—	—	Stack* Sort	You can choose to stack or sort multiple copies.	77
Page Layout	—	—	Off (1in1)* 2in1 (P) 2in1 (L) 4in1 (P) 4in1 (L) Poster (3x3)	You can make N in 1 or Poster copies.	76
Set New Default	—	—	Yes No	You can save your copy settings.	79
Factory Reset	—	—	Yes No	You can restore all settings to the factory settings.	80





The factory settings are shown in Bold with an asterisk.

PhotoCapture 

Level1	Level2	Level3	Options	Descriptions	Page
View Photo(s)	—	—	See the print settings in the following table.	You can preview your photos on the LCD.	85
Print Index	Paper Type	Plain Paper* Inkjet Paper Brother Photo Other Photo	—	You can print a thumbnail page.	78
	Paper Size	Letter* A4	—		
Print Photos	—	—	See the print settings in the following table.	You can print an individual image.	86
Photo Effects	Auto Correct Enhance Skin-Tone Enhance Scenery Remove Red-Eye Monochrome Sepia			You can adjust your photos with these settings.	87
Search by Date	—	—	—	You can search your photos from date.	90
Print All Photos	—	—	See the print settings in the following table.	You can print all photos in your memory card or USB Flash memory drive.	90
Slide show	—	—	—	The machine starts Slide Show of your photos.	90
Trimming	—	—	—	You can trim your photo and print a part of the image.	91

Print Settings

Option1	Option2	Option3	Option4	Descriptions	Page
Print Quality	Normal Photo*	—	—	Choose the print quality.	93
Paper Type	Plain Paper Inkjet Paper Brother Photo Other Photo*	—	—	Choose the paper type.	93
Paper Size	Letter 4"x 6"* 5"x 7" A4	(When A4 or Letter is chosen) 4"x 3" 5"x 3.5" 6"x 4" 7"x 5" 8"x 6" Max. Size*	—	Choose the paper and print size.	93
Brightness (Does not appear when Photo Effects is chosen.)	Light +2 +1 0 -1 -2 Dark	—	—	Adjusts the brightness.	94
Contrast (Does not appear when Photo Effects is chosen.)	+2 +1 0 -1 -2	—	—	Adjusts the contrast.	94
True2Life (Does not appear when Photo Effects is chosen.)	On off*	White Balance	+2 +1 0 -1 -2	Adjusts the hue of the white areas.	94
		Sharpness	+2 +1 0 -1 -2	Enhances the detail of the image.	
		Color Density	+2 +1 0 -1 -2	Adjusts the total amount of color in the image.	
 The factory settings are shown in Bold with an asterisk.					

Option1	Option2	Option3	Option4	Descriptions	Page
Cropping	On* Off	—	—	Crops the image around the margin to fit the paper size or print size. Turn this feature off if you want to print whole images or prevent unwanted cropping.	95
Borderless	On* Off	—	—	Expands the printable area to fit the edges of the paper.	95
Set New Default	Yes No	—	—	You can save your print settings.	95
Factory Reset	Yes No	—	—	You can restore all the settings to factory settings.	95
 The factory settings are shown in Bold with an asterisk.					

Entering Text

When you are setting certain menu selections, such as the Station ID, you may need to enter text into the machine. Most dial pad keys have three or four letters printed on keys. The keys for **0**, **#** and ***** do not have printed letters because they are used for special characters.

By pressing the proper dial pad key repeatedly, you can access the character you want.

Press Key	one time	two times	three times	four times
2	A	B	C	2
3	D	E	F	3
4	G	H	I	4
5	J	K	L	5
6	M	N	O	6
7	P	Q	R	S
8	T	U	V	8
9	W	X	Y	Z

Putting spaces

To enter a space in a fax number, press ► once between numbers. To enter a space in a name, press ► twice between characters.

Making corrections

If you entered an incorrect letter and want to change it, press ◀ to move the cursor under the incorrect character. Then press **Clear/Back**. Re-enter the correct character. You can also back up and insert letters.

Repeating letters

If you need to enter a letter that is on the same key as the letter before, press ► to move the cursor to the right before you press the key again.

Special characters and symbols

Press *****, **#** or **0**, repeatedly until you see the special character or symbol you want.

Press ***** for (space) ! " # \$ % & ' () *
+ , - . / €

Press **#** for ; : < = > ? @ [] ^ _

Press **0** for É À È Ê Ë Ç Æ Ö

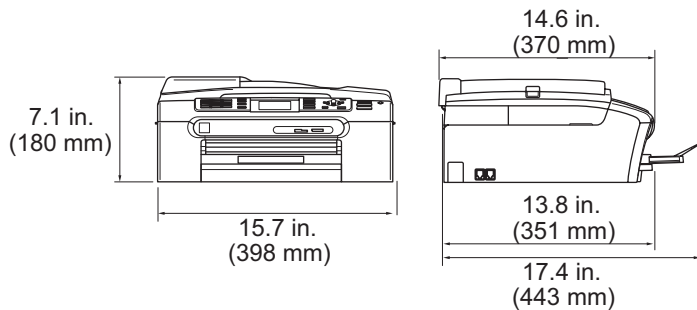
D

Specifications

General

Memory Capacity	32 MB
	Recommended environment for best results:
ADF (automatic document feeder)	Up to 10 pages
	Temperature: 68° F - 86° F (20° C - 30° C)
	Humidity: 50% - 70%
	Paper: [20 lb (80 g/m ²)] A4 or Letter size
Paper Tray	100 Sheets [20 lb (80 g/m ²)]
Printer Type	Ink Jet
Print Method	Black: Piezo with 94 × 1 nozzle
	Color: Piezo with 94 × 3 nozzles
LCD (liquid crystal display)	2.0 in. (50.8 mm) Color LCD ¹
Power Source	AC 100 to 120 V 50/60 Hz
Power Consumption	Off Mode: Average 4 W
	Standby: Average 6 W
	Operating: Average 31 W

Dimensions



Weight	18.1 lb (8.2 kg)
Noise	Operating: 50 dB or less ²
Temperature	Operating: 50° F to 95° F (10 to 35° C)
	Best Print Quality: 68° F to 91° F (20 to 33° C)
Humidity	Operating: 20 to 80% (without condensation)
	Best Print Quality: 20 to 80% (without condensation)

¹ Measured diagonally

² This depends on printing conditions.

Print media

Paper Input

Paper Tray

- Paper type:

Plain paper, inkjet paper (coated paper), glossy paper ², transparencies ^{1 2} and envelopes

- Paper size:

Letter, Legal, Executive, A4, A5, A6, JIS B5, envelopes (commercial No.10, DL, C5, Monarch, JE4), Photo 2L 5"×7", Index card and Post card ³.

Width: 3.5 in. (89 mm) - 8.5 in. (216 mm)

Height: 5.0 in. (127 mm) - 14.0 in. (356 mm)

For more details, see *Paper weight, thickness and capacity* on page 13.

- Maximum paper tray capacity: Approx. 100 sheets of 20 lb (80 g/m²) plain paper

Photo Bypass Tray (USA)

Photo Paper Tray (Canada)

- Paper type:

Plain paper, inkjet paper (coated paper) and glossy paper ²

- Paper size:

Photo 4×6 in. and Photo L 3.5×5 in.

Width: 3.5 in. (89 mm) - 4.0 in. (101.6 mm)

Height: 5.0 in. (127 mm) - 6.0 in. (152.4 mm)

- Maximum paper tray capacity: Approx. 20 sheets

Paper Output

Up to 50 sheets of 20 lb (80 g/m²) plain paper (face up print delivery to the output paper tray) ²

¹ Use only transparencies recommended for inkjet printing.

² For glossy paper or transparencies, we recommend removing printed pages from the output paper tray immediately after they exit the machine to avoid smudging.

³ See *Paper type and size for each operation* on page 12.

Fax

Compatibility	ITU-T Group 3
Coding System	MH/MR/MMR/JPEG
Modem Speed	Automatic Fallback 14400 bps
Document Size	ADF Width: 5.8 in. to 8.5 in. (148 mm to 215.9 mm) ADF Height: 5.8 in. to 14 in. (148 mm to 355.6 mm) Scanner Glass Width: Max. 8.5 in. (215.9 mm) Scanner Glass Height: Max. 11.7 in. (297 mm)
Scanning Width	8.2 in. (208 mm)
Printing Width	8.03 in. (204 mm)
Gray Scale	256 levels
Polling Types	Standard, Sequential: (Black only)
Contrast Control	Automatic/Light/Dark (manual setting)
Resolution	■ Horizontal 203 dot/in. (8 dot/mm) ■ Vertical Standard 98 line/in. (3.85 line/mm) (Monochrome) 196 line/in. (7.7 line/mm) (Color) Fine 196 line/in. (7.7 line/mm) (Monochrome/Color) Photo 196 line/in. (7.7 line/mm) (Monochrome) Superfine 392 line/in. (15.4 line/mm) (Monochrome)
Speed Dial	80 stations × 2 numbers
Broadcasting ¹	210 stations
Automatic Redial	1 time after 5 minutes
Ring Delay	0, 1, 2, 3 or 4 rings
Communication Source	Public switched telephone network.
Memory Transmission	Up to 480 ² /400 ³ pages
Out of Paper Reception	Up to 480 ² /400 ³ pages

¹ Black & White only

² 'Pages' refers to the 'Brother Standard Chart No. 1' (a typical business letter, Standard resolution, MMR code). Specifications and printed materials are subject to change without prior notice.

³ 'Pages' refers to the 'ITU-T Test Chart #1' (a typical business letter, Standard resolution, MMR code). Specifications and printed materials are subject to change without prior notice.

Copy

Color/Black	Yes/Yes
Document Size	ADF Width:5.8 in. to 8.5 in. (148 mm to 215.9 mm) ADF Height:5.8 in. to 14 in. (148 mm to 355.6 mm) Scanner Glass Width:Max. 8.5 in. (215.9 mm) Scanner Glass Height:Max. 11.7 in. (297 mm) Copy Width:Max. 8.26 in. (210 mm)
Copy Speed	Black: Up to 22 pages/minute (Letter paper) ¹ Color: Up to 20 pages/minute (Letter paper) ¹
Multiple Copies	Stacks/Sorts up to 99 pages
Enlarge/Reduce	25% to 400% (in increments of 1%)
Resolution	(Black & White) <ul style="list-style-type: none"> ■ Scans up to 600×1200 dpi ■ Prints up to 1200×1200 dpi (Color) <ul style="list-style-type: none"> ■ Scans up to 600×1200 dpi ■ Prints up to 600×1200 dpi

¹ Based on Brother standard pattern. (Fast mode/Stack Copy) Copy speeds vary with the complexity of the document.

PhotoCapture Center®

Compatible Media ¹

CompactFlash®
(Type I only)
(Microdrive™ is not compatible)
(Compact I/O cards such as Compact LAN card and Compact Modem card are not supported.)
Memory Stick®
Memory Stick Pro™
(Not available for music data with MagicGate™)
Memory Stick Duo™ with adapter
MultiMediaCard™
SecureDigital ²
miniSD™ with adapter
xD-Picture Card™ ³
USB Flash memory drive ⁴

Resolution

Up to 1200 × 2400 dpi

File Extension

(Media Format)

DPOF, EXIF, DCF

(Image Format)

Photo Print: JPEG ⁵

Scan to Media: JPEG, PDF (Color)

TIFF, PDF (Black)

Color Enhancement

True2Life®

Photo Enhance

Auto Correct, Enhance Skin-Tone, Enhance Scenery, Trimming, Slide Show, Remove Red-Eye, Monochrome and Sepia

Number of Files

Up to 999 files

(The folder inside memory cards or USB Flash memory drive is also counted)

Folder

File must be stored in the 4th folder level of the memory card or USB Flash memory drive.

Borderless

Letter, A4, Photo 4"×6", Photo 5"×7" ⁶

¹ Memory cards, adapters and USB Flash memory drive are not included.

² SecureDigital (SD&MMC) : 16MB to 2GB
SecureDigital High Capacity (SDHC) : 4GB to 8GB

³ xD-Picture Card™ Conventional Card from 16MB to 512MB
xD-Picture Card™ Type M from 256MB to 2GB
xD-Picture Card™ Type H from 256MB to 2GB

⁴ USB 2.0 Standard
USB Mass Storage standard from 16 MB to 8 GB
Support format: FAT12/FAT16/FAT32

⁵ Progressive JPEG format is not supported.

⁶ See *Paper type and size for each operation* on page 12.

PictBridge

Compatibility

Supports the Camera & Imaging Products Association PictBridge standard CIPA DC-001.

Visit <http://www.cipa.jp/pictbridge> for more information.

Interface

USB direct interface

Scanner

Color/Black	Yes/Yes
TWAIN Compliant	Yes (Windows® 2000 Professional/XP/XP Professional x64 Edition/Windows Vista™) Mac OS® X 10.2.4 or greater
WIA Compliant	Yes (Windows® XP ¹ /Windows Vista™)
Color Depth	36 bit color Processing (Input) 24 bit color Processing (Output) (Actual Input: 30 bit color/Actual Output: 24 bit color)
Resolution	Up to 19200 × 19200 dpi (interpolated) ² Up to 600 × 2400 dpi (optical)
Scanning Speed	Black: Up to 3.59 sec. Color: Up to 5.66 sec. (Letter size at 100 × 100 dpi)
Document Size	ADF Width: 5.8 in. to 8.5 in. (148 mm to 215.9 mm) ADF Height: 5.8 in. to 14 in. (148 mm to 355.6 mm) Scanner Glass Width: Max. 8.5 in. (215.9 mm) Scanner Glass Height: Max. 11.7 in. (297 mm)
Scanning Width	8.26 in. (210 mm)
Gray Scale	256 levels

¹ Windows® XP in this User's Guide includes Windows® XP Home Edition, Windows® XP Professional, and Windows® XP Professional x64 Edition.

² Maximum 1200 × 1200 dpi scanning when using the WIA Driver for Windows® XP and Windows Vista™ (resolution up to 19200 × 19200 dpi can be selected by using the Brother scanner utility)

Printer

Printer Driver	Windows® 2000 Professional/XP/XP Professional x64 Edition/Windows Vista™ driver supporting Brother Native Compression mode
	Mac OS® X 10.2.4 or greater : Brother Ink Driver
Resolution	Up to 1200 × 6000 dpi 1200 × 2400 dpi 1200 × 1200 dpi 600 × 600 dpi 600 × 300 dpi 600 × 150 dpi
Print Speed	Up to 30 pages/minute (Black) ¹ Up to 25 pages/minute (Color) ¹
Printing Width	8.26 in. [8.5 in. (borderless) ²] ⁴ 210 mm [216 mm (borderless) ²] ⁴
Disk-Based Fonts	35 TrueType (Windows® only)
Borderless	Letter, A4, A6, Photo 4"×6", Index Card, Photo L 3.5"×5", Photo 2L 5"×7", Post Card ³

¹ Based on Brother standard pattern.
Letter size in draft mode.

² When you set the Borderless feature to On.

³ See *Paper type and size for each operation* on page 12.

⁴ When printing on letter size paper.

Interfaces

USB A USB 2.0 interface cable that is no longer than 6 feet (2.0 m). ^{1 2}

LAN cable ³ Ethernet UTP cable category 5 or greater.

¹ Your machine has a USB 2.0 Full-speed interface. This interface is compatible with USB 2.0 Hi-Speed; however, the maximum data transfer rate will be 12 Mbits/s. The machine can also be connected to a computer that has a USB 1.1 interface.

² Third party USB ports are not supported for Macintosh®.

³ See the *Network User's Guide* for detailed network specifications.

Computer requirements

SUPPORTED OPERATING SYSTEMS AND SOFTWARE FUNCTIONS									
Computer Platform & Operating System Version		Supported PC Software Functions	PC Interface	Processor Minimum Speed	Minimum RAM	Recommended RAM	Hard Disk Space to install		
							For Drivers	For Applications	
Windows® Operating System ¹	2000 Professional ⁵	Printing, PC FAX ⁴ Scanning, Removable Disk	USB, 10/100Base Tx (Ethernet)	Intel® Pentium II® or equivalent	64MB	256MB	150MB	330MB	
	XP Home® ^{2 5} Professional ^{2 5}				128MB		150MB	330MB	
	XP Professional x64 Edition ²			64-bit (Intel®64 or AMD64) supported CPU	256MB		512MB	150MB	330MB
	Windows Vista™ ²			Intel® Pentium® 4 or equivalent 64-bit (Intel®64 or AMD64) supported CPU	512MB		1GB	500MB	520MB
Macintosh® Operating System® ⁶	Mac OS® X 10.2.4 - 10.4.3	Printing, PC Fax ⁴ , Scanning, Removable Disk	USB ³ , 10/100Base Tx (Ethernet)	PowerPC G4/G5, PowerPC G3 350MHz	128MB	256MB	80MB	480MB	
	Mac OS® X 10.4.4 or greater								Printing, PC Fax ⁴ , Scanning, Removable Disk

Conditions:

- ¹ Microsoft® Internet Explorer 5.5 or greater.
- ² For WIA, 1200x1200 resolution. Brother Scanner Utility enables to enhance up to 19200 x 19200 dpi.
- ³ Third party USB ports are not supported.
- ⁴ PC Fax supports black and white only.
- ⁵ PaperPort™ 11SE supports Microsoft® SP4 or higher for Windows® 2000 and SP2 or higher for XP.
- ⁶ Presto!® PageManager® on the CD-ROM supports Mac OS® X 10.3.9 or higher. For Mac OS® X 10.2.4-10.3.8 Presto!® PageManager® is available as a download from the Brother Solutions Center.

For the latest driver updates, visit www.brother.com.
All trademarks, brand and product names are property of their respective companies.

Consumable items

Ink

The machine uses individual Black, Yellow, Cyan and Magenta ink cartridges that are separate from the print head assembly.

Service Life of Ink Cartridge

The first time you install the ink cartridges the machine will use extra ink to fill the ink delivery tubes. This is a one-time process that enables high quality printing. Afterward, replacement ink cartridges will print the specified number of pages.

Replacement Ink Cartridges

Standard Black - Approximately 500 pages at 5% coverage

Yellow, Cyan and Magenta - Approximately 400 pages at 5% coverage

The above figures are based upon the following assumptions:

- Continuous printing at a resolution of 600 × 600 dpi in normal mode after installing new ink cartridge;
- The printing frequency;
- The number of pages printed;
- Periodic, automatic, print head assembly cleaning (Your machine will clean the print head assembly periodically. This process will use a small amount of ink); and,
- Ink remaining in cartridge identified as 'empty' (It is necessary to leave a small amount of ink in the ink cartridge to prevent air from drying out and damaging the print head assembly).

Replacement Consumables

<Black> LC51BK, <Cyan> LC51C,
<Magenta> LC51M, <Yellow> LC51Y

What is Innobella™ ?

Innobella™ is a range of genuine consumables offered by Brother. The name "Innobella™" derives from the words "Innovation" and "Bella" (meaning "Beautiful" in Italian) and is a representation of the "innovative" technology providing you with "beautiful" and "long lasting" print results.



When you print photo images, Brother recommends Innobella™ glossy photo paper (BP61GL series) for high quality. Brilliant prints are made easier with Innobella™ Ink and paper.

Network (LAN)

LAN	You can connect your machine to a network for Network Printing, Network Scanning, PC Fax Send and PC Fax Receive ¹ (Windows [®] only). Also included is Brother BRAdmin Light ² Network Management software.
Support for	Windows [®] 2000 Professional/XP/XP Professional x64 Edition/Windows Vista [™] Mac OS [®] X 10.2.4 or greater Ethernet 10/100 BASE-TX Auto Negotiation
Protocols	TCP/IP ARP, RARP, BOOTP, DHCP, APIPA (Auto IP), NetBIOS Name Resolution, WINS DNS Resolver, LPR/LPD, Custom Raw Port/Port9100, FTP Server, mDNS, Web Services, TELNET, SNMP, TFTP, LLTD

¹ See the Computer Requirements chart on page 163.

² If you require more advanced printer management, use the latest Brother BRAdmin Professional utility version that is available as a download from <http://solutions.brother.com>.

E

Glossary

This is a comprehensive list of features and terms that appear in Brother manuals. Availability of these features depends on the model you purchased.

ADF (automatic document feeder)

The document can be placed in the ADF and scanned one page at a time automatically.

Auto Reduction

Reduces the size of incoming faxes.

Automatic Redial

A feature that enables your machine to redial the last fax number after five minutes if the fax did not go through because the line was busy.

Backup Print

Your machine prints a copy of every fax that is received and stored in memory. This is a safety feature so you will not lose messages during a power failure.

Batch Transmission

(Black and white faxes only) As a cost saving feature, all delayed faxes to the same fax number can be sent as one transmission.

Beeper Volume

Volume setting for the beep when you press a key or make an error.

Brightness

Changing the Brightness makes the whole image lighter or darker.

Broadcasting

The ability to send the same fax message to more than one location.

Caller ID

A service purchased from the telephone company that lets you see the number (or name) of the party calling you.

CNG tones

The special tones (beeps) sent by fax machines during automatic transmission to tell the receiving machine that a fax machine is calling.

Coding method

Method of coding the information contained in the document. All fax machines must use a minimum standard of Modified Huffman (MH). Your machine is capable of greater compression methods, Modified Read (MR), Modified Modified Read (MMR) and JPEG, if the receiving machine has the same capability.

Communication error (Comm. Error)

An error during fax sending or receiving, usually caused by line noise or static.

Compatibility group

The ability of one fax unit to communicate with another. Compatibility is assured between ITU-T Groups.

Contrast

Setting to compensate for dark or light documents, by making faxes or copies of dark documents lighter and light documents darker.

Delayed Fax

Sends your fax at a specified time later.

Distinctive Ring

A subscriber service purchased from the telephone company that gives you another telephone number on an existing telephone line. The Brother machine uses the new number to simulate a dedicated fax line.

Dual Access

Your machine can scan outgoing faxes or scheduled jobs into memory at the same time it is sending a fax from memory or receiving or printing an incoming fax.

Easy Receive

Enables your machine to respond to CNG tones if you interrupt a fax call by answering it.

ECM (Error Correction Mode)

Detects errors during fax transmission and resends the pages of the fax that had an error.

Extension telephone

A telephone using the same line as your fax but plugged into a separate wall jack.

External telephone

A telephone that is plugged into the EXT jack of your machine.

F/T Ring Time

The length of time that the Brother machine rings (when the Receive Mode setting is Fax/Tel) to notify you to pick up a voice call that it answered.

Fax Forwarding

Sends a fax received into the memory to another pre-programmed fax number.

Fax Receive Code

Press this code (* 5 1) when you answer a fax call on an extension or external telephone.

Fax Storage

You can store received faxes in memory.

Fax tones

The signals sent by sending and receiving fax machines while communicating information.

Fax/Tel

You can receive faxes and telephone calls. Do not use this mode if you are using a telephone answering device (TAD).

Fine resolution

Resolution is 203 × 196 dpi. It is used for small print and graphs.

Gray Scale

The shades of gray available for copying, scanning and faxing photographs.

Group number

A combination of Speed Dial numbers that are stored in a Speed Dial location for Broadcasting.

Help list

A printout of the complete Menu table that you can use to program your machine when you do not have the User's Guide with you.

Fax Journal

Lists information about the last 200 incoming and outgoing faxes. TX means Transmit. RX means Receive.

Innobella™

Innobella™ is a range of genuine consumables offered by Brother. For best quality results Brother recommends Innobella™ Ink and Paper.

Journal Period

The pre-programmed time period between automatically printed Fax Journal Reports. You can print the Fax Journal on demand without interrupting the cycle.

LCD (liquid crystal display)

The display screen on the machine that shows interactive messages during On-Screen Programming and shows the date and time when the machine is idle.

Manual fax

You can lift the handset of the external telephone or you can press **Hook** to hear the receiving fax machine answer before you press **Black Start** or **Color Start** to begin sending.

Menu mode

Programming mode for changing your machine's settings.

OCR (optical character recognition)

The bundled ScanSoft™ PaperPort™ 11SE with OCR or Presto!®

PageManager® software application converts an image of text to text you can edit.

Out of Paper Reception

Receives faxes into the machine's memory when the machine is out of paper.

Overseas Mode

Makes temporary changes to the fax tones to accommodate noise and static on overseas telephone lines.

Paging

This feature enables your machine to call your pager when a fax is received into its memory. The machine will also page for voice messages.

Pause

Allows you to place a 3.5 second delay in the dialing sequence stored on Speed Dial numbers. Press **Redial/Pause** as many times as needed for longer pauses.

PhotoCapture Center®

Allows you to print digital photos from your digital camera at high resolution for photo quality printing.

Photo resolution (B&W only)

A resolution setting that uses varying shades of gray for the best representation of photographs.

PictBridge

Allows you to print photos directly from your digital camera at high resolution for photo quality printing.

Polling

The process of a fax machine calling another fax machine to retrieve waiting fax messages.

Pulse (Canada only)

A form of rotary dialing on a telephone line.

Quick Dial List

A listing of names and numbers stored in Speed Dial memory, in numerical order.

Real Time Transmission

When memory is full, you can send faxes in real time.

Remaining jobs

You can check which jobs are waiting in memory and cancel jobs individually.

Remote Access Code

Your own four-digit code (---*) that allows you to call and access your machine from a remote location.

Remote Retrieval Access

The ability to access your machine remotely from a touch tone telephone.

Resolution

The number of vertical and horizontal lines per inch. See: Standard, Fine, Super Fine and Photo.

Ring Delay

The number of rings before the machine answers in *Fax Only* and *Fax/Tel* modes.

Ring Volume

Volume setting for the machine's ring.

Scanning

The process of sending an electronic image of a paper document into your computer.

Scan to Media

You can scan a black & white or color document into a memory card or USB Flash memory drive. Black & white images can be in TIFF or PDF file format and color images can be in PDF or JPEG file format.

Search

An electronic, numerical or alphabetical listing of stored Speed Dial and Group numbers.

Speed Dial

A pre-programmed number for easy dialing. You must press **Speed Dial**, the two digit code, and **Black Start** or **Color Start** to start the dialing process.

Standard resolution

203 × 97 dpi. It is used for regular size text and quickest transmission.

Station ID

The stored information that appears on the top of faxed pages. It includes the sender's name and fax number.

Super Fine resolution (B&W only)

392 × 203 dpi. Best for very small print and line art.

TAD (telephone answering device)

You can connect an external device or answering machine to the EXT. jack of your machine.

Telephone Answer

When the machine answers a voice call, it pseudo/double-rings. You can pick up at an extension telephone by pressing this code (**# 5 1**).

Temporary settings

You can choose certain options for each fax transmission and copy without changing the default settings.

Tone

A form of dialing on the telephone line used for Touch Tone telephones.

Transmission

The process of sending faxes over the telephone lines from your machine to the receiving fax machine.

Transmission Verification Report

A listing for each fax sent, that shows its date, time and number.

True2Life®

Adjusts the color in the image for better print quality by improving sharpness, white balance and color density.

User Settings

A printed report that shows the current settings of the machine.

F

Index

- A**
- Access codes, storing and dialing 60
 - Accessories and supplies iii
 - ADF (automatic document feeder) 9, 30
 - Answering machine (TAD) 49
 - connecting 50
 - Apple® Macintosh®
 - See Software User's Guide on the CD-ROM.
 - Automatic
 - fax receive 38
 - Easy Receive 41
- B**
- Broadcasting 32
 - setting up Groups for 59
 - Brother
 - accessories and supplies iii
 - Brother numbers i
 - Customer Service i
 - FAQs (frequently asked questions) i
 - product support i
 - service centers (Canda) ii
 - service centers (USA) ii
 - Solutions Center i
 - warranties iv, v, vii
- C**
- Caller ID 47
 - print list 48
 - view list 48
 - Canceling
 - Fax Forwarding 65, 67
 - Fax Preview 65
 - Fax Storage 65
 - jobs awaiting redial 35
 - Paging 65, 67
 - PC Fax Receive 65
 - Cleaning
 - paper pick-up roller 135
 - print head 135
 - printer platen 134
 - scanner 134
 - Connecting
 - external TAD 49
 - external telephone 52
 - two-line external TAD or telephone 51
 - Consumable items 164
 - Control panel overview 6
 - ControlCenter
 - See Software User's Guide on the CD-ROM.
 - Copy
 - brightness 77
 - color saturation 78
 - contrast 77
 - enlarge/reduce 75
 - enter Copy mode 74
 - multiple 74
 - out of memory 80
 - page layout (N in 1) 76
 - paper size 79
 - paper type 78
 - quality 75
 - return to default 80
 - set new default 79
 - single 74
 - sort (ADF only) 77
 - using ADF 9
 - using scanner glass 10
 - Cordless telephone 53
 - Custom Ringing 45
 - Custom telephone features on a single line 120
- D**
- Data Ident-A-Call 45
 - Dialing
 - a pause 56
 - access codes and credit card numbers 60
 - Caller ID history 55
 - Groups 32
 - manual 54
 - Outgoing Call 55
 - Speed Dial 54
 - Direct printing
 - from a non-PictBridge camera 100
 - from a PictBridge camera 98

Distinctive Ring	45
setting ring pattern	46
turning off	46
Document	
loading	9, 10
Dual Access	34

E

Easy Receive	41
Envelopes	12, 13, 16, 17
Error messages on LCD	123
Comm. Error	123
Ink Empty	124
Near Empty	124
No Paper Fed	125
Not Registered	54
Out of Memory	125
while scanning a document	80
Unable to Clean	125
Unable to Init.	125
Unable to Print	125
Unable to Scan	125
Extension telephone, using	53
External telephone, connecting	52

F

Fax codes	
changing	53, 66
Fax Receive Code	41, 52, 53
Remote Access Code	66
Telephone Answer Code	52, 53
using	53
Fax Forwarding	
changing remotely	67, 68
programming a number	61
Fax Storage	63
printing from memory	42
turning off	65
turning on	63
Fax, from PC	
See Software User's Guide on the CD-ROM.	
Fax, stand-alone	
receiving	38
at end of conversation	39, 42
difficulties	117, 119
Easy Receive	41
F/T Ring Time, setting	40

Fax Forwarding	67
from extension telephone	52, 53
into PC	63
Paging	62
printing from memory	42
Receive Mode, choosing	38
reducing to fit on paper	41
retrieving from a remote site	67, 68
Ring Delay, setting	40
telephone line interference	130
sending	30, 71
at end of conversation	36
Broadcasting	32
canceling from memory	35
color fax	31
contrast	33
delayed batch transmission	35
delayed fax	35
enter Fax mode	30
from ADF	30
from memory (Dual Access)	34
from scanner glass	30
manual	36
overseas	35
Real Time Transmission	34
Resolution	33
return to factory setting	36
set new default	36
telephone line interference	130
Fax/Tel mode	
answering at extension telephones	52, 53
double-ringing (voice calls)	40
F/T Ring Time	40
Fax Receive Code	52, 53
Ring Delay	40
Telephone Answer Code	52, 53
FCC notices	112

G

Gray Scale	156, 160
Groups for Broadcasting	59

H

Help	
LCD messages	141
using Mode and menu keys	141
Menu Table	141, 142
Hook key	6

I

Ident-A-Call	45
Ident-A-Ring	45
Ink cartridges	
checking ink volume	137
ink dot counter	131
replacing	131
Innobella™	164

J

Jams	
document	128
paper	128

L

LCD (liquid crystal display)	141
Brightness	24, 25
Contrast	24
Dim Timer	25
Help List	70
Off Timer	25

M

Macintosh®	
See Software User's Guide on the CD-ROM.	
Maintenance, routine	
replacing ink cartridges	131
Manual	
dialing	54
receive	38
transmission	36
Memory Storage	141
Menu Table	141
Mode, entering	
Copy	74
Fax	30
PhotoCapture	6
Scan	6
Multi-line connections (PBX)	52

N

Network	
Printing	
See Network User's Guide on the CD-ROM.	
Scanning	
See Software User's Guide on the CD-ROM.	

O

On/Off key	20
Out of Area (Caller ID)	47

P

Packing the machine	138
Paging	62
Paper	11, 16, 155
capacity	13
loading	14, 16, 17
printable area	19
size	22
size of document	9
type	12, 22
PaperPort™ 11SE with OCR	
See Software User's Guide on the CD-ROM and Help in the PaperPort™ 11SE application to access How-to-Guides.	
Personalized Ring	45
Photo Bypass Tray (USA)	17
Photo Paper Tray (Canada)	17
PhotoCapture Center®	
Adding Effect	87
Borderless	95
CompactFlash®	82
Cropping	95
DPOF printing	91
from PC	
See Software User's Guide on the CD-ROM.	
Memory Stick Pro™	82
Memory Stick®	82
MultiMediaCard™	82

Photo Effects	
Auto Correct	87
Enhance Scenery	88
Enhance Skin-Tone	87
Monochrome	89
Remove Red-Eye	88
Sepia	89
Preview photos	85
Print settings	
Brightness	94
Contrast	94
Paper type & size	93
Quality	92, 93
Return to factory setting	95
Set new default	95
Printing	
all photos	90
index	86
photos	86
Scan to memory card	96
Scan to USB flash memory	96
Search by Date	90
SecureDigital	82
Slide-Show	90
specifications	158
Trimming	91
xD-Picture Card™	82
PictBridge	
DPOF Printing	99
Power failure	141
Presto!® PageManager®	
See Help in Presto!® PageManager®	
application	
Print	
difficulties	117, 119
drivers	161
fax from memory	42
paper jams	128
report	70
resolution	161
specifications	161
Printing	
on small paper	18
See Software User's Guide on the	
CD-ROM.	
Programming your machine	141

Q

Quick Dial	
Access codes and credit card	
numbers	60
Broadcasting	32
using Groups	32
Group dial	
changing	57, 58
setting up Groups for Broadcasting ...	59
Search	54
Speed Dial	
changing	57, 58
setting up by 2-digit location	56
setting up from Caller ID history	57
setting up from outgoing calls	57
using	54

R

Receive Mode	38
External TAD	38
Fax Only	38
Fax/Tel	38
Manual	38
Redial/Pause	55
Reducing	
copies	75
incoming faxes	41
Remote Retrieval	66
access code	66
commands	67
getting your faxes	68
Remote Setup	
See Software User's Guide on the	
CD-ROM.	
Reports	69
Caller ID List	48
Fax Journal	70
Journal Period	69
Help List	70
how to print	70
Network Configuration	70
Quick Dial List	70
Transmission Verification	69, 70
User Settings	70

Resolution	
copy	157
fax	156
print	161
scan	160
setting for next fax	33
Ring Delay, setting	40
RingMaster	45

S

Safety Instructions	107, 110
Scannable area	10
Scanning	
See Software User's Guide on the CD-ROM.	
Serial Number	
how to find	See inside front cover
Shipping the machine	138
SimpleBiz Fax & Alternative Number	
Ringing	45
Smart Ring	45
Speed Dial	
changing	57, 58
dialing	54
storing	56

T

TAD (telephone answering device),	
external	38, 49, 51
connecting	49, 50
receive mode	38
recording OGM	50
with two-line jack	51
Teen Ring	45
Telephone line	
connections	50
difficulties	119
interference	130
multi-line (PBX)	52
roll over lines	50
two-line telephone system	50
Text, entering	153
special characters	153
Transferring your faxes or Fax Journal report	126
Transparencies	11, 13, 155

Troubleshooting	117
checking ink volume	137
document jam	128
error messages on LCD	123
if you are having difficulty	
copying	121
incoming calls	120
Network	122
PhotoCapture Center®	122
printing	117
printing received faxes	119
receiving faxes	119
scanning	121
software	121
telephone line or connections	119
paper jam	128
Two-line telephone system	50
TX Lock	
turning on/off	27

V

Voice Mail	44
Volume, setting	
beeper	23
ring	23
speaker	23

W

Warranties	iv
Canada	vii
Notice-Disclaimer	iv
USA	v
World Wide Web	i

EQUIPMENT ATTACHMENT LIMITATIONS (Canada only)

NOTICE

This product meets the applicable Industry Canada technical specifications.

NOTICE

The Ringer Equivalence Number is an indication of the maximum number of devices allowed to be connected to a telephone interface. The termination on an interface may consist of any combination of devices subject only to the requirement that the sum of the RENs of all the devices does not exceed five.

Brother International Corporation
100 Somerset Corporate Boulevard
P.O. Box 6911
Bridgewater, NJ 08807-0911 USA

Brother International Corporation (Canada) Ltd.
1 rue Hôtel de Ville,
Dollard-des-Ormeaux, QC, Canada H9B 3H6

brother®

**Visit us on the World Wide Web
<http://www.brother.com>**

These machines are made for use in the USA and Canada only. We cannot recommend using them overseas because it may violate the Telecommunications Regulations of that country and the power requirements of your multi-function center may not be compatible with the power available in foreign countries. **Using USA or Canada models overseas is at your own risk and may void your warranty.**

USA/CAN

Free Manuals Download Website

<http://myh66.com>

<http://usermanuals.us>

<http://www.somanuals.com>

<http://www.4manuals.cc>

<http://www.manual-lib.com>

<http://www.404manual.com>

<http://www.luxmanual.com>

<http://aubethermostatmanual.com>

Golf course search by state

<http://golfingnear.com>

Email search by domain

<http://emailbydomain.com>

Auto manuals search

<http://auto.somanuals.com>

TV manuals search

<http://tv.somanuals.com>