

signa® 5 whirlpool bath and soaking bath (with 3 tile flange)

the signa® whirlpool bath takes its name from the medieval central italian walled city, lastra a signa.



Like the walled city for which it is named, Signa® 5 was specially developed and designed for walled surround spaces.

whirlpool bath features:

- Contoured backrest.
- 4 Fully adjustable TheraPro™ jets
- 2 AccuPro™ foot jets.
- Exclusive Tru-Level™ self-leveling base system
- Slip-resistant bottom.
- Patented Fixed Air Flow System
- Drain included on whirlpool baths

signa® 5 with 3 tile flange whirlpool bath

model number: D560 – RH pump,
D569 – LH pump

exterior dimensions:
60" long x 42" wide x 22" high

interior dimensions:
41" long x 25" wide

of Jets/type of Jets:
4 TheraPro™ Jets
2 AccuPro™ Back Jets

operating gallons:
42 gallons

signa® 5 with 3 tile flange soaking bath

model number: D578 (w/3-tile flange)

exterior dimensions:
60" long x 42" wide x 22" high

interior dimensions:
41" long x 25" wide





Signa™ 5 Whirlpool Bath with 3 Tile Flange

Model: D560, D569

Signa™ 5 Bath with 3 Tile Flange

Model: D578

Ordering Information

Product Code:

- D560 Signa™ 5 Whirlpool Bath with 3 Tile Flange Right Hand
- D569 Signa™ 5 Whirlpool Bath with 3 Tile Flange Left Hand
- D578 Signa™ 5 Bath with 3 Tile Flange

- Center Drain Location
- Accessories / Hardware:
 - Trip-Lever Drain Kit #X559
 - Rotary Drain Kit, 26" Cable #8730
 - TheraPro™ Jet Rings Kit: #D095
 - AccuPro™ Jet Rings Kit: #P556
- Trim Kit Finishes Available:
 - (827) - Chrome
 - (898) - Brushed Chrome
 - (815) - Satin Nickel
 - (829) - Bright Brass
 - (805) - Platinum
 - (826) - Brushed Nickel
 - (849) - Oil Rubbed Bronze

Installation Notes

Refer to installation instructions included with fixture before beginning installation. Please confirm product availability and specifications before commencing with any installation work.

PRODUCT SPECIFICATIONS AND AVAILABILITY ARE SUBJECT TO CHANGE WITHOUT NOTICE.

Electrical Components and Electrical Specifications do not apply to non-jetted baths.

Technical Specifications

Dimensions

60" L x 42" W x 22" H
(1524 mm) L x (1067 mm) W x (559 mm) H

Drain/Overflow

A: 17-1/2" (445 mm) B: 12-1/2" (318 mm)

Cutout

Not Applicable

Total Weight

D560, D569: 708 lb (321 kg) / 40 lb/sq. ft. (197 kg/m²)
D578: 667 lb (303 kg) / 38 lb/sq. ft. (186 kg/m²)

Operating Gallage

42 U.S. Gal. (159 Liters)
Max. 82 U.S. Gal. (310 Liters)

Product Weight

D560, D569: 108 lb (49 kg)
D578: 67 lb (30 kg)

Skirt Mounting

Optional, U-Frame

Electrical Specifications Models D560, D569 only

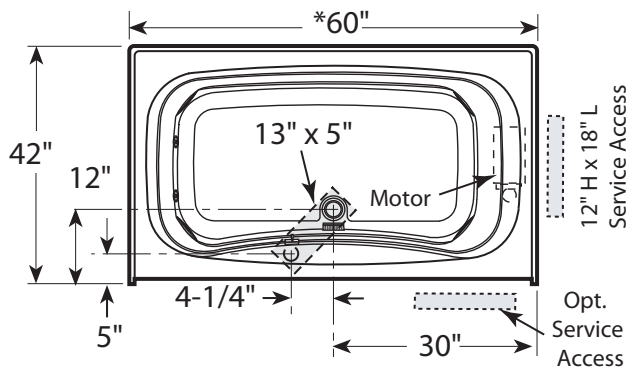
Requires a dedicated GFCI protected separate circuit.

Motor/Pump: 120 VAC, 15 AMP, 60 Hz.
RapidHeat™: 120 VAC, 15 AMP, 60 Hz.

Heater (Optional) Models D560, D569 only

Requires a dedicated GFCI protected separate circuit.

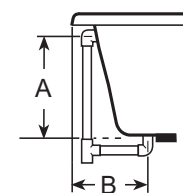
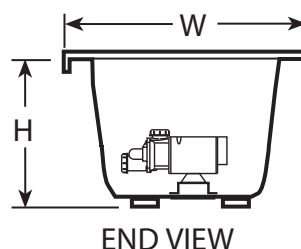
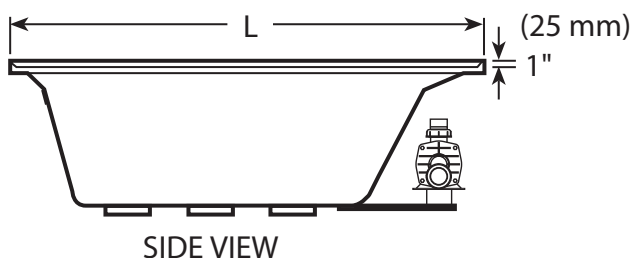
RapidHeat™: P/N S750000



Product Shown: Signa™ 5 Whirlpool Bath with 3 Tile Flange Right Hand Model: D560

* Measurements inside unit represent cutout in floor to allow for drain/overflow.

Minimum Service Access dimensions given.



Free Manuals Download Website

<http://myh66.com>

<http://usermanuals.us>

<http://www.somanuals.com>

<http://www.4manuals.cc>

<http://www.manual-lib.com>

<http://www.404manual.com>

<http://www.luxmanual.com>

<http://aubethermostatmanual.com>

Golf course search by state

<http://golfingnear.com>

Email search by domain

<http://emailbydomain.com>

Auto manuals search

<http://auto.somanuals.com>

TV manuals search

<http://tv.somanuals.com>