



Mito—in Italian, “myth.” Our Mito™—a combination of fabled luxury. Think of the Mito™ as a fantastic experience. Legendary hydrotherapy in a roomy, bow-tie shaped bathing well.

WHIRLPOOL BATH FEATURES:

- Combined whirlpool & Pure Air® for maximum massage
- 360° Balanced Airflow™ system
- 600 watt heated air blower
- Thermal Lumbar Comfort (TLC)™
- Timed purge cycle
- 4 fully adjustable TheraPro™ jets
- 2 directionally adjustable AccuPro™ jets
- Air flow adjustability
- Sculpted armrest and backrest
- Pro₃™ Ozone Sanitation System standard

Detail: The Mito® Salon™ Spa's sculpted interior features gracious curves, a deep bathing well, and integral armrests.



**Mito™ 6
SALON™ SPA**

MODEL NUMBER:
DZ95 – (RH pump and blower)

EXTERIOR DIMENSIONS:
72" long x 42" wide x
21½" high

**INTERIOR DIMENSIONS
(AT BOTTOM):**
43¾" long x 27" wide x
23" wide

OF JETS/TYPE OF JETS:
4 TheraPro™ Jets
2 AccuPro™ Foot Jets

OPERATING GALLONS:
73 gallons

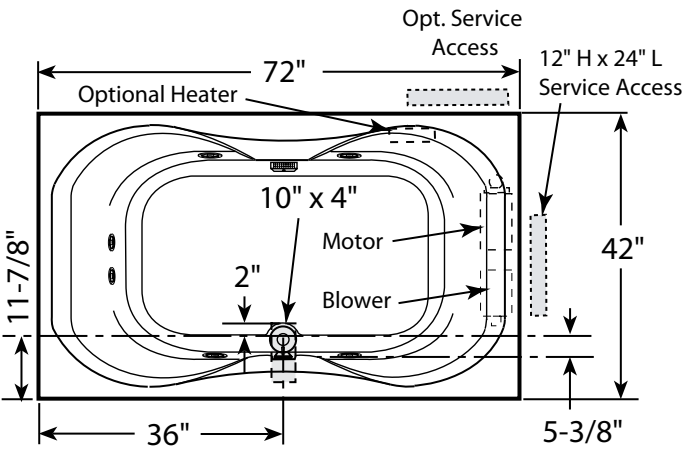




Mito™ 6 SALON™ SPA BATH

DZ95 Mito© 6 Salon™ Spa, Right Hand

- Center Drain Location
- Accessories / Hardware:
 - Trip-Lever Drain Kit #X559
 - Rotary Drain Kit, 26" Cable #8730
 - HTC Jet Trim Kit: #D095
 - 2 X BMH Jet Trim Kit: #J869
- Trim Kit Finishes Available:
 - (827) – Chrome
 - (898) – Brushed Chrome
 - (815) – Satin Nickel
 - (829) – Bright Brass
 - (805) – Platinum
 - (826) – Brushed Nickel
 - (849) – Oil Rubbed Bronze



Product Shown: Mito® 6 Salon™ Spa Right Hand
Shown Model: DZ95

* Measurements inside unit represent cutout in floor to allow for drain/overflow.

Minimum Service Access dimensions given.

INSTALLATION NOTES

Refer to installation instructions included with fixture before beginning installation. Please confirm product availability and specifications before commencing with any installation work.

PRODUCT SPECIFICATIONS AND AVAILABILITY ARE SUBJECT TO CHANGE WITHOUT NOTICE.

Technical Specifications

DIMENSIONS

72" L[†] x 42" W x 21-1/2" H
(1829 mm) L x (1067 mm) W x (546 mm) H
([†]Add 1/4" to this dimension when roughing-in for 3-wall niche.)

DRAIN/OVERFLOW

A: 17-1/2" (445 mm) B: 11-7/8" (302 mm)

CUTOUT

70" (1778 mm) x 40" (1016 mm)

TOTAL WEIGHT

1197 lb (543 kg) / 57 lb/ft² (278 kg/m²)

OPERATING GALLONAGE

73 U.S. Gal. (288 Liters)

PRODUCT WEIGHT

155 lb (70 kg)

SKIRT MOUNTING

Not Available

ELECTRICAL SPECIFICATIONS

Requires a dedicated GFCI protected separate circuit.

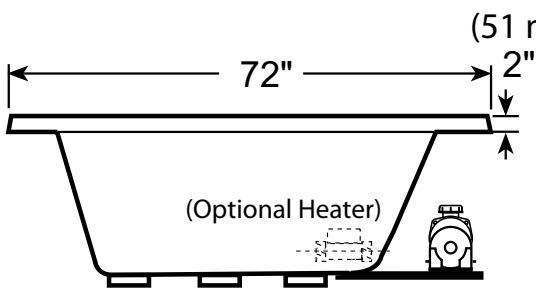
Blower: 120VAC, 20AMP, 60 Hz.

Motor/Pump and Optional RapidHeat™: 240VAC, 20AMP, 60 Hz.

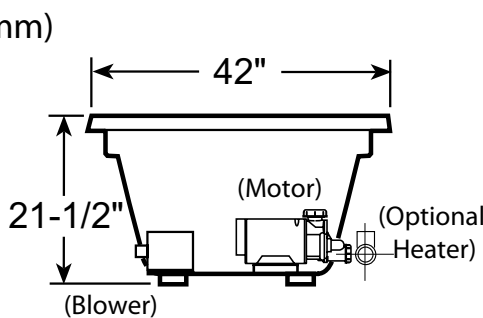
HEATER (OPTIONAL)

Requires a dedicated GFCI protected separate circuit.

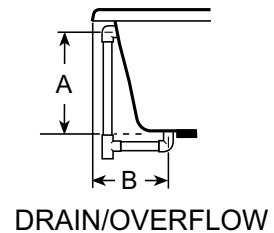
RapidHeat™: P/N S750000



SIDE VIEW



END VIEW



DRAIN/OVERFLOW

Free Manuals Download Website

<http://myh66.com>

<http://usermanuals.us>

<http://www.somanuals.com>

<http://www.4manuals.cc>

<http://www.manual-lib.com>

<http://www.404manual.com>

<http://www.luxmanual.com>

<http://aubethermostatmanual.com>

Golf course search by state

<http://golfingnear.com>

Email search by domain

<http://emailbydomain.com>

Auto manuals search

<http://auto.somanuals.com>

TV manuals search

<http://tv.somanuals.com>