



Designed with easy access and comfortable bathing in mind, the Finestra™ gives new meaning to independent living. Equipped with Jacuzzi® technology and a variety of safety features, everyone can now enjoy the Jacuzzi® Home Spa Experience.™

FEATURES:

- The first and only air tight magnetic door seal
- Integral seat available in 2 heights – 14" or ADA compliant 17"
- Skirt with panels for easy installation and access
- 600 watt variable speed heated air blower
- Exclusive 360° Balanced Air Flow™ system
- Safety features include a grab bar and slip resistant flooring
- ProO₃™ Ozone Sanitation System standard

Finestra™ 6030
WALK-IN
PURE AIR® BATH

MODEL NUMBER:
EV95 (14" seat-LH)
EW00 (14" seat-RH)
EY20 (17" seat-LH)
EY25 (17" seat-RH)

EXTERIOR DIMENSIONS:
60" long x 30" wide x
37½" high

OPERATING GALLONS:
55-75 gallons

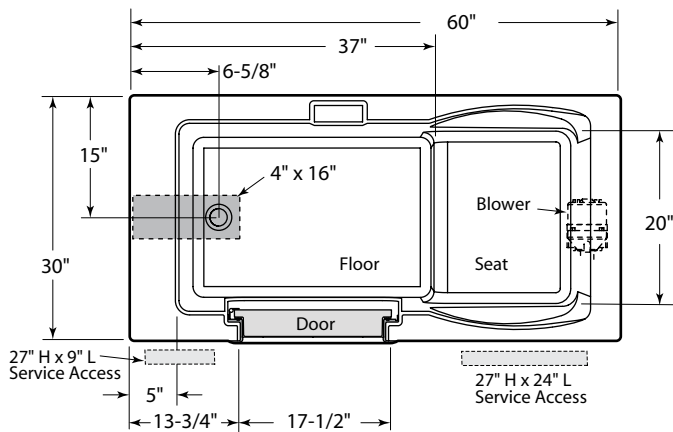




Finestra™ 6030 WALK-IN PURE AIR® BATH

EV95	Finestra™ 6030 Walk-In 14" Seat Pure Air Bath, Left Hand
EW00	Finestra™ 6030 Walk-In 14" Seat Pure Air Bath, Right Hand
EY20	Finestra™ 6030 Walk-In 17" Seat Pure Air Bath, Left Hand
EY25	Finestra™ 6030 Walk-In 17" Seat Pure Air Bath, Right Hand

- Left and Right Hand drain locations
- Accessories / Hardware:
 - Drain Kit: #FB48000
 - Remote Drain Kit: #FC30000
 - Pillow: #EK91959
- Trim Kit Finishes Available:
 - (827) – Chrome
 - (829) – Bright Brass
 - (959) – White



Finestra™ 6030 Walk-In 14" Seat Pure Air Bath Left Hand (EV95) shown.

* Measurements inside unit represent cutout in floor to allow for drain/overflow.

Minimum service access dimensions given.

INSTALLATION NOTES

Refer to installation instructions included with fixture before beginning installation. Please confirm product availability and specifications before commencing with any installation work.

PRODUCT SPECIFICATIONS AND AVAILABILITY ARE SUBJECT TO CHANGE WITHOUT NOTICE.

Technical Specifications

DIMENSIONS

60" L x 30" W x 37-1/2" H
(1524 mm) L x (762 mm) W x (952.5 mm) H

DRAIN/OVERFLOW

A: 31-1/2" (800 mm) B: 6-5/8" (168 mm)

CUTOUT

NA

TOTAL WEIGHT

EV95, EW00: 320 lb. (145 kg)
EY20, EY25: 320 lb. (145 kg)

OPERATING GALLONAGE

Max: 75 U.S. Gal. (284 liters)
Min: 55 U.S. Gal. (208 liters)

PRODUCT WEIGHT

EV95, EW00: 270 lb. (122 kg)
EY20, EY25: 270 lb. (122 kg)

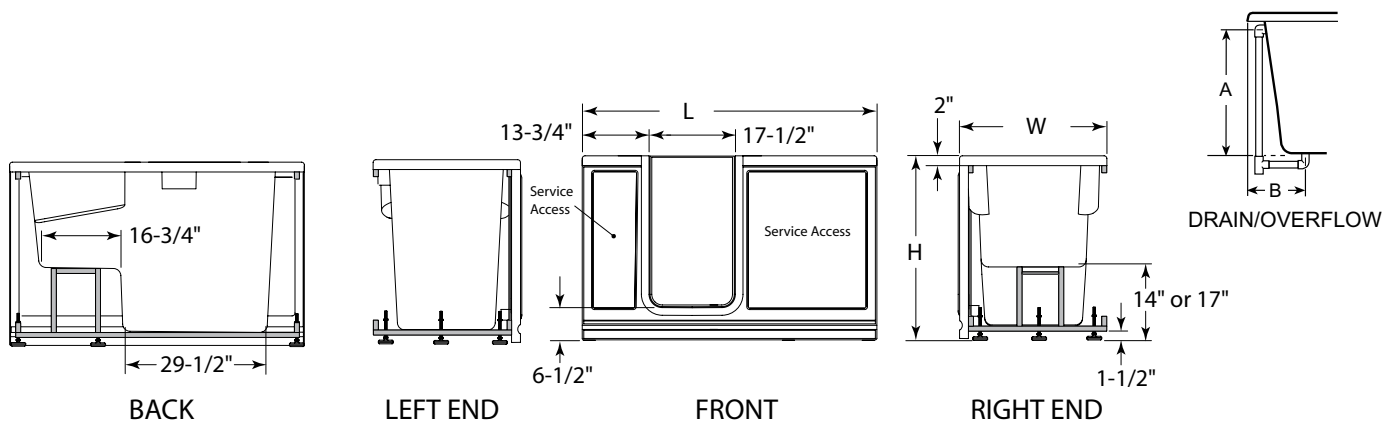
SKIRT MOUNTING

NA

ELECTRICAL SPECIFICATIONS

Requires a dedicated GFCI protected separate circuit.

Blower: 115 VAC, 15 AMP, 60 Hz.



Free Manuals Download Website

<http://myh66.com>

<http://usermanuals.us>

<http://www.somanuals.com>

<http://www.4manuals.cc>

<http://www.manual-lib.com>

<http://www.404manual.com>

<http://www.luxmanual.com>

<http://aubethermostatmanual.com>

Golf course search by state

<http://golfingnear.com>

Email search by domain

<http://emailbydomain.com>

Auto manuals search

<http://auto.somanuals.com>

TV manuals search

<http://tv.somanuals.com>