



Designed with easy access and comfortable bathing in mind, the Finestra™ gives new meaning to independent living. Equipped with Jacuzzi® technology and a variety of safety features, everyone can now enjoy the Jacuzzi® Home Spa Experience.™

FEATURES:

- The first and only air tight magnetic door seal
- Integral seat available in 2 heights – 14" or ADA compliant 17"
- Skirt with panels for easy installation and access
- 2 fully adjustable TheraPro® Jets
- 8 directionally adjustable AccuPro® Jets
- RapidHeat™ inline heater
- 900 watt variable speed heated air blower
- Air channels on floor and seat areas for maximum massage
- Chromatherapy lighting system featuring 256 colors
- Safety features include a grab bar and slip resistant flooring
- PrO₃™ Ozone Sanitation System standard

**Finestra™ 6030
WALK-IN
SALON™ SPA BATH**

MODEL NUMBER:

- EW05 (14" seat-LH)
- EW10 (14" seat-RH)
- EY30 (17" seat-LH)
- EY35 (17" seat-RH)

EXTERIOR DIMENSIONS:

60" long x 30" wide x 37½" high

OF JETS/TYPE OF JETS:

- 8 AccuPro® Jets
- 2 TheraPro® Jets

OPERATING GALLONS:

55-75 gallons





Finestra™ 6030

WALK-IN SALON™ SPA BATH

EW05	Finestra™ 6030 Walk-In 14" Seat Salon™ Spa Bath, Left Hand
EW10	Finestra™ 6030 Walk-In 14" Seat Salon™ Spa Bath, Right Hand
EY30	Finestra™ 6030 Walk-In 17" Seat Salon™ Spa Bath, Left Hand
EY35	Finestra™ 6030 Walk-In 17" Seat Salon™ Spa Bath, Right Hand

- Left and Right Hand drain locations
- Accessories / Hardware:
 - Drain Kit: #FB48000
 - Remote Drain Kit: #FC30000
 - Pillow: #EK91959
- Trim Kit Finishes Available:
 - (827) – Chrome
 - (829) – Bright Brass
 - (959) – White

INSTALLATION NOTES

Refer to installation instructions included with fixture before beginning installation. Please confirm product availability and specifications before commencing with any installation work.

PRODUCT SPECIFICATIONS AND AVAILABILITY ARE SUBJECT TO CHANGE WITHOUT NOTICE.

Technical Specifications

DIMENSIONS

60" L x 30" W x 37-1/2" H
(1524 mm) L x (762 mm) W x (952.5 mm) H

DRAIN/OVERFLOW

A: 31-1/2" (800 mm) B: 6-5/8" (168 mm)

CUTOUT

NA

TOTAL WEIGHT

EW05, EW10: 360 lb. (163.5 kg)
EY30, EY35: 360 lb. (163.5 kg)

OPERATING GALLONAGE

Max: 75 U.S. Gal. (284 liters)
Min: 55 U.S. Gal. (208 liters)

PRODUCT WEIGHT

EW05, EW10: 310 lb. (141 kg)
EY30, EY35: 310 lb. (141 kg)

SKIRT MOUNTING

NA

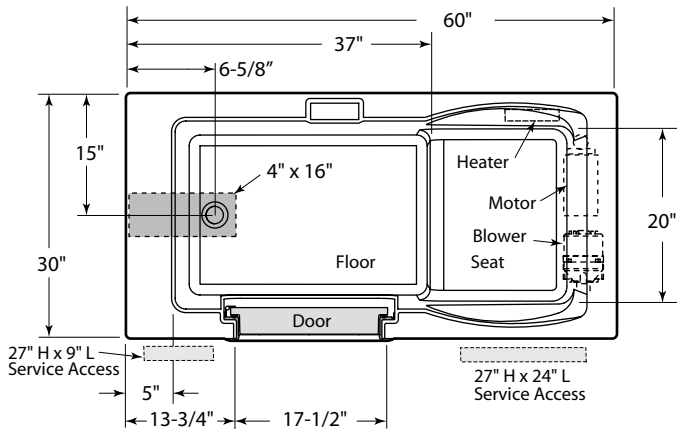
ELECTRICAL SPECIFICATIONS

Motor/Pump and RapidHeat™: 240 VAC, 20 AMP, 60 Hz.
Blower: 120 VAC, 20 AMP, 60 Hz.

Requires two separate GFCI protected circuits.

HEATER (STANDARD)

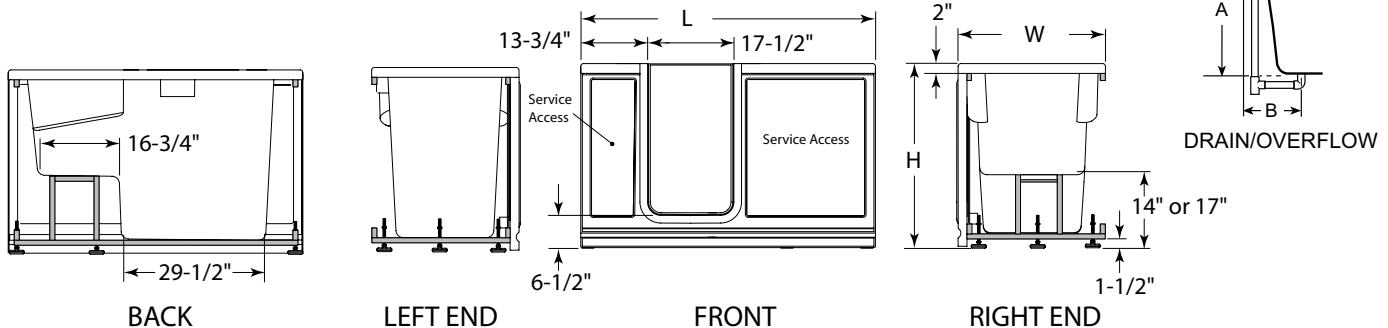
RapidHeat™: P/N BN60000



Finestra™ 6030 Walk-In 14" Seat Salon™ Spa Bath Left Hand (EW05) shown.

* Measurements inside unit represent cutout in floor to allow for drain/overflow.

Minimum service access dimensions given.



Free Manuals Download Website

<http://myh66.com>

<http://usermanuals.us>

<http://www.somanuals.com>

<http://www.4manuals.cc>

<http://www.manual-lib.com>

<http://www.404manual.com>

<http://www.luxmanual.com>

<http://aubethermostatmanual.com>

Golf course search by state

<http://golfingnear.com>

Email search by domain

<http://emailbydomain.com>

Auto manuals search

<http://auto.somanuals.com>

TV manuals search

<http://tv.somanuals.com>