



Mito—in Italian, “myth.” Our Mito™—a whirlpool of fabled luxury. Think of the Mito™ as a fantastic experience. Legendary hydrotherapy in a roomy, bow-tie shaped bathing well.

**WHIRLPOOL BATH FEATURES:**

- 4 fully adjustable TheraPro™ jets with a maximum flow rate of 30 GPM per jet
- Electronic Control
- 2 directionally adjustable AccuPro™ foot jets
- Sculpted armrest
- Contoured backrest
- Exclusive Tru-Level™ base system
- Slip-resistant bottom

*Detail: The Mito® whirlpool bath's sculpted interior features gracious curves, a deep bathing well, and integral armrests.*



**Mito™ 5  
WHIRLPOOL BATH**

**MODEL NUMBER:**  
H520 – (RH pump)  
H519 – (LH pump)

**EXTERIOR DIMENSIONS:**  
60" long x 42" wide x  
21" high

**INTERIOR DIMENSIONS:**  
34½" long x 25½" wide  
x 22" wide

**# OF JETS/TYPE OF JETS:**  
4 TheraPro™ Jets,  
2 AccuPro™ Foot Jets

**OPERATING GALLONS:**  
62 gallons

**Mito™ 5  
SOAKING BATH**

**MODEL NUMBER:**  
H521

**EXTERIOR DIMENSIONS:**  
60" long x 42" wide x  
21" high

**INTERIOR DIMENSIONS:**  
34½" long x 25½" wide  
x 22" wide



## Mito™ 5 WHIRLPOOL BATH

<b>H520</b>	Mito™ 5 Whirlpool Bath, Right Hand Pump
<b>H519</b>	Mito™ 5 Whirlpool Bath, Left Hand Pump

## Mito™ 5 SOAKER BATH

<b>H521</b>	Mito™ 5 Bath
-------------	--------------

- Center Drain Location
- Accessories / Hardware:
  - Trip-Lever Drain Kit #X559
  - Rotary Drain Kit, 26" Cable #8730
  - HTC Jet Trim Kit: #D095
  - 2 X BMH Jet Trim Kit: #J869
- Trim Kit Finishes Available:
  - (827) – Chrome
  - (898) – Brushed Chrome
  - (815) – Satin Nickel
  - (829) – Bright Brass
  - (805) – Platinum
  - (826) – Brushed Nickel
  - (849) – Oil Rubbed Bronze

### INSTALLATION NOTES

Refer to installation instructions included with fixture before beginning installation. Please confirm product availability and specifications before commencing with any installation work.

PRODUCT SPECIFICATIONS AND AVAILABILITY ARE SUBJECT TO CHANGE WITHOUT NOTICE.

*Electrical Components and Electrical Specifications do not apply to non-jetted baths.*

### Technical Specifications

#### DIMENSIONS

60" L x 42" W x 21" H  
(1524 mm) L x (1067 mm) W x (533 mm) H

#### DRAIN/OVERFLOW

A: 17-1/2" (445 mm) B: 11-7/8" (302 mm)

#### CUTOUT

58" x 40"

#### TOTAL WEIGHT

H520, H519: 866 lb (393 kg) / 50 lb/sq. ft. (242 kg/m<sup>2</sup>)  
H521: 842 lb (382 kg) / 48 lb/sq. ft. (235 kg/m<sup>2</sup>)

#### OPERATING GALLONAGE

62 U.S. Gal. (235 Liters)

#### PRODUCT WEIGHT

H520, H519: 100 lb (45 kg)  
H521: 76 lb (35 kg)

#### SKIRT MOUNTING

Optional U-Frame

#### ELECTRICAL SPECIFICATIONS MODELS H520, H519 ONLY

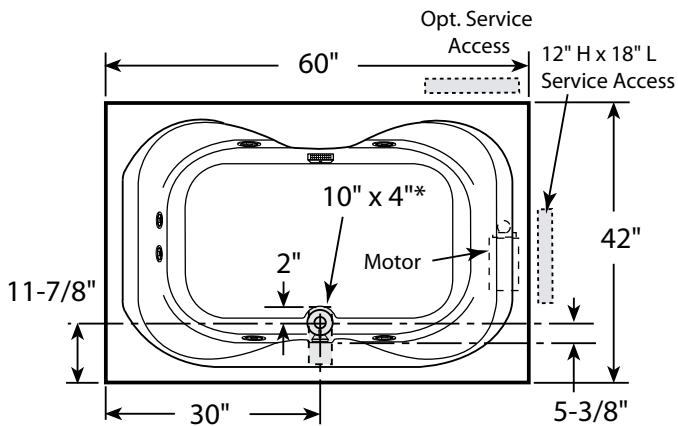
**Requires a dedicated GFCI protected separate circuit.**

Motor/Pump: 120 VAC, 15 AMP, 60 Hz.  
RapidHeat™: 120 VAC, 15 AMP, 60 Hz.

#### HEATER (OPTIONAL) MODELS H520, H519 ONLY

**Requires a dedicated GFCI protected separate circuit.**

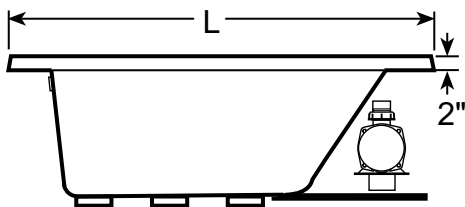
RapidHeat™: P/N S750000



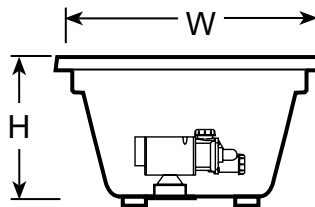
**Product Shown: Mito™ 5 Whirlpool Bath Right Hand Shown Model: H520**

\* Measurements inside unit represent cutout in floor to allow for drain/overflow.

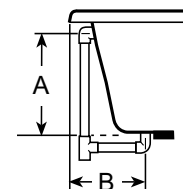
Minimum Service Access dimensions given.



**SIDE VIEW**



**END VIEW**



**DRAIN/OVERFLOW**

## Free Manuals Download Website

<http://myh66.com>

<http://usermanuals.us>

<http://www.somanuals.com>

<http://www.4manuals.cc>

<http://www.manual-lib.com>

<http://www.404manual.com>

<http://www.luxmanual.com>

<http://aubethermostatmanual.com>

Golf course search by state

<http://golfingnear.com>

Email search by domain

<http://emailbydomain.com>

Auto manuals search

<http://auto.somanuals.com>

TV manuals search

<http://tv.somanuals.com>