

# gallery™ 5 oval whirlpool bath and soaking bath

like its namesake, the gallery™ whirlpool bath is a place of reverence—a haven suited for quiet reflection.



The Gallery™ is a work of art a clean, stylish well of relaxation, ideal for quiet contemplation.

whirlpool features:

- 4 Fully adjustable TheraPro® jets
- 1 Directionally adjustable AccuPro™ lumbar jet
- Exclusive Tru-Level™ base system
- Slip-resistant bottom
- Patented Fixed Air Flow System
- Sculpted armrest
- Contoured backrest
- Drain included on whirlpool baths

## gallery™ 5 oval whirlpool bath

model number: N845 – LH, N850 – RH

exterior dimensions:  
62" long x 43" wide x 19" high

interior dimensions:  
41" long x 26" wide

# of Jets/type of Jets:  
4 TheraPro® Jets,  
1 AccuPro™ Lumbar Jet

operating gallons:  
48 gallons

## gallery™ 5 oval soaking bath

model number: N855

exterior dimensions:  
62" long x 43" wide x 19" high

interior dimensions:  
41" long x 26" wide





# Gallery™ 5 Oval Whirlpool Bath

Model: N845, N850

# Gallery™ 5 Oval Bath

Model: N855

## Ordering Information

Product Code:

N845 Gallery™ 5 Oval Whirlpool Bath  
Left Hand

N850 Gallery™ 5 Oval Whirlpool Bath  
Right Hand

N855 Gallery™ 5 Oval Bath

- Left and Right Hand Drain Locations
- Accessories / Hardware:
  - Trip-Lever Drain Kit: #X559
  - Rotary Drain Kit, 26" Cable #8730
  - 4 X TheraPro™ Jet Rings #D095
  - AccuPro™ Jet Rings #J869
- Trim Kit Finishes Available:
  - (827) - Chrome
  - (898) - Brushed Chrome
  - (815) - Satin Nickel
  - (829) - Bright Brass
  - (805) - Platinum
  - (826) - Brushed Nickel
  - (849) - Oil Rubbed Bronze.

## Installation Notes

Refer to installation instructions included with fixture before beginning installation. Please confirm product availability and specifications before commencing with any installation work.

PRODUCT SPECIFICATIONS AND AVAILABILITY ARE SUBJECT TO CHANGE WITHOUT NOTICE.

Electrical Components and Electrical Specifications do not apply to non-jetted baths.

## Technical Specifications

### Dimensions

62" L x 43" W x 19" H  
(1575 mm) L x (1092 mm) W x (543 mm) H

### Drain/Overflow

A: 14-3/4" (375 mm) B: 9-1/2" (241 mm)

### Cutout

Template Provided P/N P186000

### Total Weight

N845, N850: 746 lb (338 kg) / 40 lb/sq. ft. (197 kg/m<sup>2</sup>)  
N855: 701 lb (318 kg) / 38 lb/sq. ft. (185 kg/m<sup>2</sup>)

### Operating Gallonage

48 U.S. Gal. (182 Liters)

### Product Weight

N845, N850: 96 lb (44 kg)  
N855: 51 lb (23 kg)

### Skirt Mounting

Not Available

### Electrical Specifications Models N845, N850 only

Requires a dedicated GFCI protected separate circuit.

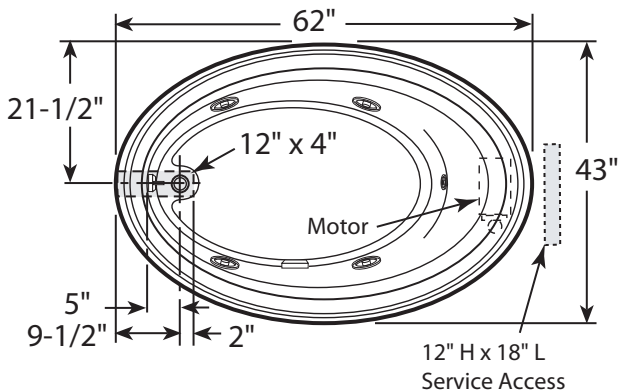
Motor/Pump: 120 VAC, 15 AMP, 60 Hz.

RapidHeat™: 120 VAC, 15 AMP, 60 Hz.

### Heater (Optional) Models N845, N850 only

Requires a dedicated GFCI protected separate circuit.

RapidHeat™: P/N S750000

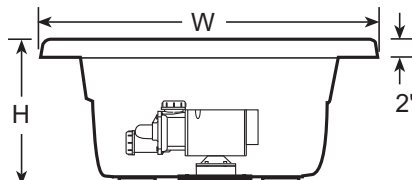


Product Shown: Gallery™ 5 Oval Whirlpool Bath Left Hand Shown Model: N845

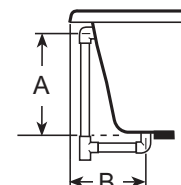
\* Measurements inside unit represent cutout in floor to allow for drain/overflow.



SIDE VIEW



END VIEW



DRAIN/OVERFLOW

## Free Manuals Download Website

<http://myh66.com>

<http://usermanuals.us>

<http://www.somanuals.com>

<http://www.4manuals.cc>

<http://www.manual-lib.com>

<http://www.404manual.com>

<http://www.luxmanual.com>

<http://aubethermostatmanual.com>

Golf course search by state

<http://golfingnear.com>

Email search by domain

<http://emailbydomain.com>

Auto manuals search

<http://auto.somanuals.com>

TV manuals search

<http://tv.somanuals.com>