

gallery™ 6 oval whirlpool bath and soaking bath



like its namesake, the gallery™ whirlpool bath is a place of reverence—a haven suited for quiet reflection.



The Gallery™ is a work of art a clean, stylish well of relaxation, ideal for quiet contemplation.

whirlpool bath features:

- 4 Fully adjustable TheraPro® jets
- 3 Directionally adjustable AccuPro™
- Exclusive Tru-Level™ base system
- Slip-resistant bottom
- Patented Fixed Air Flow System
- Sculpted armrest
- Contoured backrest
- Drain included on whirlpool baths

gallery™ 6 oval whirlpool bath

model number: N860 – LH, N865 – RH

exterior dimensions:
72" long x 42" wide x 20½" high

interior dimensions:
50" long x 28" wide

of Jets/type of Jets:
4 TheraPro® Jets,
3 AccuPro™ Lumbar and Foot Jet

operating gallons:
62 gallons

gallery™ 6 oval soaking bath

model number: N870
exterior dimensions:
72" long x 42" wide x 20½" high

interior dimensions:
50" long x 28" wide





Gallery™ 6 Oval Whirlpool Bath

Model: N860, N865

Gallery™ 6 Oval Bath

Model: N870

Ordering Information

Product Code:

N860 Gallery™ 6 Oval Whirlpool Bath
Left Hand

N865 Gallery™ 6 Oval Whirlpool Bath
Right Hand

N870 Gallery™ 6 Oval Bath

- Right and Left Hand Drain Location
- Accessories / Hardware:
 - TheraPro™ Jet Rings Kit #D095
 - AccuPro™ Jet Rings Kit #P556
 - Trip-Lever Drain Kit: #X559
 - Rotary Drain Kit, 26" Cable: #8730
- Trim Kit Finishes Available:
 - (827) - Chrome
 - (898) - Brushed Chrome
 - (815) - Satin Nickel
 - (829) - Bright Brass
 - (805) - Platinum
 - (826) - Brushed Nickel
 - (845) - Oil Rubbed Bronze

Installation Notes

Refer to installation instructions included with fixture before beginning installation. Please confirm product availability and specifications before commencing with any installation work.

PRODUCT SPECIFICATIONS AND AVAILABILITY ARE SUBJECT TO CHANGE WITHOUT NOTICE.

Electrical Components and Electrical Specifications do not apply to non-jetted baths.

Technical Specifications

Dimensions

72" L x 42" W x 20-1/2" H
(1829 mm) L x (1067 mm) W x (521 mm) H

Drain/Overflow

A: 16" (406 mm) B: 11-1/2" (292 mm)

Cutout

Template Provided

Total Weight

N860, N865: 871 lb (395 kg) / 42 lb/sq. ft. (203 kg/m²)
N870: 826 lb (375 kg) / 39 lb/sq. ft. (192 kg/m²)

Operating Gallonage

62 U.S. Gal. (235 Liters)

Product Weight

N860, N865: 105 lb (48 kg)
N870: 60 lb (27 kg)

Skirt Mounting

Not Available

Electrical Specifications Models N860, N865 only

Requires a dedicated GFCI protected separate circuit.

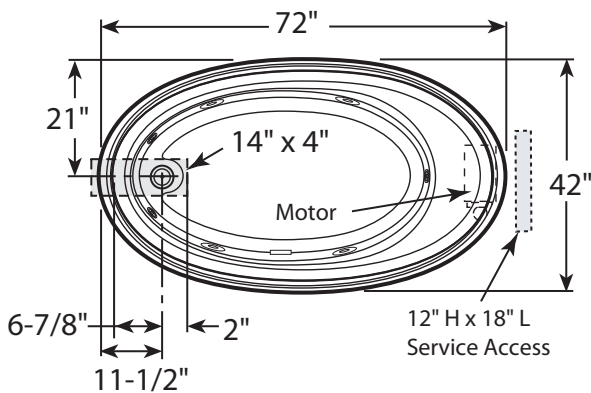
Motor/Pump: 120 VAC, 15 AMP, 60 Hz.

RapidHeat™: 120 VAC, 15 AMP, 60 Hz.

Heater (Optional) Models N860, N865 only

Requires a dedicated GFCI protected separate circuit.

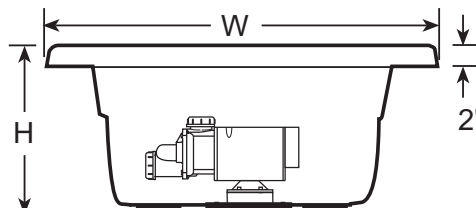
RapidHeat™: P/N S750000



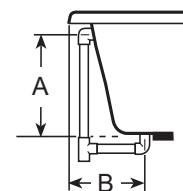
Product Shown: Gallery™ 6 Oval Whirlpool Bath Left Hand Shown Model: N860
* Measurements inside unit represent cutout in floor to allow for drain/overflow. Minimum Service Access dimensions given.



SIDE VIEW



END VIEW



DRAIN/OVERFLOW

Free Manuals Download Website

<http://myh66.com>

<http://usermanuals.us>

<http://www.somanuals.com>

<http://www.4manuals.cc>

<http://www.manual-lib.com>

<http://www.404manual.com>

<http://www.luxmanual.com>

<http://aubethermostatmanual.com>

Golf course search by state

<http://golfingnear.com>

Email search by domain

<http://emailbydomain.com>

Auto manuals search

<http://auto.somanuals.com>

TV manuals search

<http://tv.somanuals.com>