

cetra® 536 whirlpool bath and soaking bath

from the ancient hymns of the greek gods comes cetra—Italian for “lyre”.



Like its namesake, the Cetra® whirlpool bath is an undeniable classic—an uncomplicated, sculptural form, perfect for settings from traditional to contemporary.

features:

- 4 fully adjustable TheraPro™ jets
- 2 AccuPro™ lumbar jets
- 2 AccuPro™ foot jets
- Sculpted armrest
- Contoured backrest
- Energy-efficient, self-draining pump
- Patented Fixed Air Flow System
- Slip-resistant bottom
- Exclusive Tru-Level™ self-leveling base system
- Drain included on whirlpool baths

cetra® 536 whirlpool bath

model number: N875 – LH, N880 – RH

exterior dimensions:
60" long x 36" wide x 21¼" high

interior dimensions:
41½" long x 22" wide

of Jets/type of Jets:
4 TheraPro™ Jets,
2 AccuPro™ Lumbar Jets,
2 AccuPro™ Foot Jets

operating gallons:
48 gallons

cetra® 536 soaking bath

model number: N885

exterior dimensions:
60" long x 36" wide x 21¼" high

interior dimensions:
41½" long x 22" wide





Cetra® 536 Whirlpool Bath

Model: N875, N880

Cetra® 536 Bath

Model: N885

Ordering Information

Product Code:

N875 Cetra® 536 Whirlpool Bath
Left Hand

N880 Cetra® 536 Whirlpool Bath
Right Hand

N885 Cetra® 536 Bath

- Right and Left Hand Drain Location
- Accessories / Hardware:
 - Trip-Lever Drain Kit: #X559
 - Rotary Drain Kit, 26" Cable: #8730
 - Trim Kit: 1 X TheraPro™ Jet Rings #D095
 - Trim Kit: 2 X AccuPro™ Jet Rings #J869
- Trim Kit Finishes Available:
 - (827) - Chrome
 - (898) - Brushed Chrome
 - (815) - Satin Nickel
 - (829) - Bright Brass
 - (805) - Platinum
 - (826) - Brushed Nickel
 - (849) - Oil Rubbed Bronze

Installation Notes

Refer to installation instructions included with fixture before beginning installation. Please confirm product availability and specifications before commencing with any installation work.

PRODUCT SPECIFICATIONS AND AVAILABILITY ARE SUBJECT TO CHANGE WITHOUT NOTICE.

Electrical Components and Electrical Specifications do not apply to non-jetted baths.

Technical Specifications

Dimensions

60" L x 36" W x 21-1/4" H
(1524 mm) L x (914 mm) W x (540 mm) H

Drain/Overflow

A: 18-1/2" (470 mm) B: 9" (229 mm)

Cutout

58" x 34-1/4"

Total Weight

N875, N880: 742 lb (337 kg) / 50 lb/sq. ft. (242 kg/m²)
N885: 707 lb (321 kg) / 47 lb/sq. ft. (230 kg/m²)

Operating Gallonage

48 U.S. Gal. (181 Liters)
Max. 55 U.S. Gal. (208 Liters)

Product Weight

N875, N880: 92 lb (42 kg)
N885: 57 lb (26 kg)

Skirt Mounting

Optional U-Frame

Electrical Specifications Models N875, N880 only

Requires a dedicated GFCI protected separate circuit.

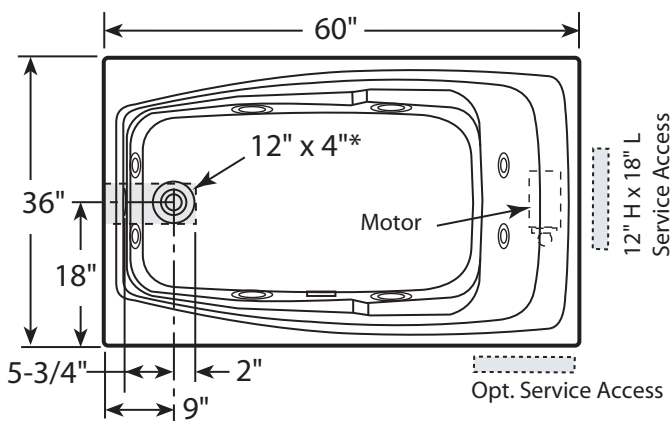
Motor/Pump: 120 VAC, 15 AMP, 60 Hz.

RapidHeat™: 120 VAC, 15 AMP, 60 Hz.

Heater (Optional) Models N875, N880 only

Requires a dedicated GFCI protected separate circuit.

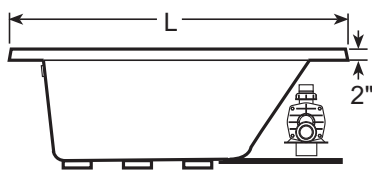
RapidHeat™: P/N S750000



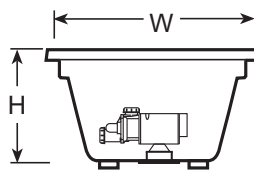
Product Shown: Cetra® 536 Whirlpool Bath Left Hand Model: N875

* Measurements inside unit represent cutout in floor to allow for drain/overflow.

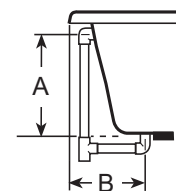
Minimum Service Access dimensions given.



SIDE VIEW



END VIEW



DRAIN/OVERFLOW

Free Manuals Download Website

<http://myh66.com>

<http://usermanuals.us>

<http://www.somanuals.com>

<http://www.4manuals.cc>

<http://www.manual-lib.com>

<http://www.404manual.com>

<http://www.luxmanual.com>

<http://aubethermostatmanual.com>

Golf course search by state

<http://golfingnear.com>

Email search by domain

<http://emailbydomain.com>

Auto manuals search

<http://auto.somanuals.com>

TV manuals search

<http://tv.somanuals.com>