

# signa® 5 whirlpool bath with Integral skirt - front right motor/pump



the signa® whirlpool bath takes its name from the medieval central Italian walled city, lastra a signa.



Like the walled city for which it is named, Signa® 5 was specially developed and designed for walled surround spaces.

features:

- Contoured backrest.
- 4 Fully adjustable TheraPro™ jets
- 2 AccuPro™ foot jets.
- Exclusive Tru-Level™ base system.
- Slip-resistant bottom.
- Patented Silent Air™ Induction system.
- Integral skirt
- Electronic controls
- Drain included on whirlpool baths

## signa® 5 whirlpool bath (with integral skirt)

model number: Y345 – front right pump

exterior dimensions:  
60" long x 42" wide x 22" high

interior dimensions (at bottom):  
41" long x 25" wide

# of Jets/type of Jets:  
4 TheraPro™ Jets,  
2 AccuPro™ Foot Jets

operating gallons:  
42 gallons

## signa® 5 soaking bath (with integral skirt)

model number: Y350

exterior dimensions:  
60" long x 42" wide x 22" high

interior dimensions:  
41" long x 25" wide





# Signa™ 5 Whirlpool Bath with Integral Skirt - Front Right Motor/Pump

Model: Y345

# Signa™ 5 Bath with Integral Skirt

Model: Y350

## Ordering Information

Product Code:

Y345 Signa™ 5 Whirlpool Bath with Integral Skirt - Front Right Motor/Pump

Y350 Signa™ 5 Bath with Integral Skirt

- Center Drain Location
- Accessories / Hardware:
  - Trip-Lever Drain Kit #X559
  - Rotary Drain Kit, 26" Cable #8730
  - 4 X HTC Jet Trim Kit: #D095
  - 2 X BMH Jet Trim Kit: #J869
- Trim Kit Finishes Available:
  - (827) - Chrome
  - (898) - Brushed Chrome
  - (815) - Satin Nickel
  - (829) - Bright Brass
  - (805) - Platinum
  - (826) - Brushed Nickel
  - (849) - Oil Rubbed Bronze

## Installation Notes

Refer to installation instructions included with fixture before beginning installation. Please confirm product availability and specifications before commencing with any installation work.

PRODUCT SPECIFICATIONS AND AVAILABILITY ARE SUBJECT TO CHANGE WITHOUT NOTICE.

Electrical Components and Electrical Specifications do not apply to non-jetted baths.

## Technical Specifications

### Dimensions

60" L x 42" W x 22" H  
(1524 mm) L x (1067 mm) W x (559 mm) H

### Drain/Overflow

A: 17-7/8" (451 mm) B: 12-3/4" (330 mm)

### Cutout

Not Applicable

### Total Weight

Y345: 723 lb (328 kg) / 41 lb/sq. ft. (202 kg/m<sup>2</sup>)  
Y350: 682 lb (309 kg) / 38 lb/sq. ft. (186 kg/m<sup>2</sup>)

### Operating Gallonage

42 U.S. Gal. (159 Liters)  
Max. 82 U.S. Gal. (310 Liters)

### Product Weight

Y345: 126 lb (56 kg)  
Y350: 82 lb (37 kg)

### Skirt Mounting

Integral

### Electrical Specifications Model Y345 only

Requires a dedicated GFCI protected separate circuit.

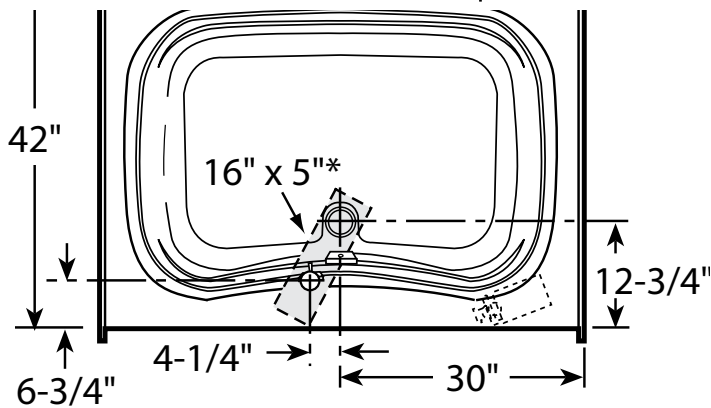
Motor/Pump: 120 VAC, 15 AMP, 60 Hz.

RapidHeat™: 120 VAC, 15 AMP, 60 Hz.

### Heater (Optional) Model Y345 only

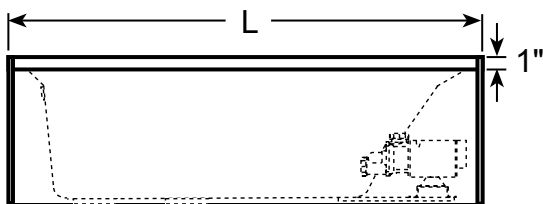
Requires a dedicated GFCI protected separate circuit.

RapidHeat™: P/N U395000

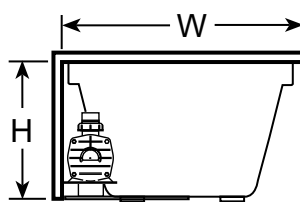


Product Shown: Signa™ 5 Whirlpool Bath with Integral Skirt - Front Right Motor/Pump Model: Y345

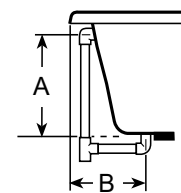
\* Measurements inside unit represent cutout in floor to allow for drain/overflow.



SIDE VIEW



END VIEW



DRAIN/OVERFLOW

## Free Manuals Download Website

<http://myh66.com>

<http://usermanuals.us>

<http://www.somanuals.com>

<http://www.4manuals.cc>

<http://www.manual-lib.com>

<http://www.404manual.com>

<http://www.luxmanual.com>

<http://aubethermostatmanual.com>

Golf course search by state

<http://golfingnear.com>

Email search by domain

<http://emailbydomain.com>

Auto manuals search

<http://auto.somanuals.com>

TV manuals search

<http://tv.somanuals.com>