



In Italy, it means beautiful view. To you, a wonderful place to regain relaxed, revitalized perspective. A truly “bella”—beautiful—experience: the Bellavista™ Pure Air® Bath.

WHIRLPOOL BATH FEATURES:

- Exclusive 360° Balanced Air Flow™ system
- 800 watt heated air blower
- All-in-one electronic control panel
- Thermal lumbar comfort™ (TLC)
- Drain-assist purge system
- ProO₃™ Ozone Sanitation System standard

Detail: The Bellavista™ Pure Air® bath features a gracefully curving profile, and scalloped edge detailing. Air channels evenly distributed around the bottom and up the back of the tub—in collaboration with Jacuzzi's patented 360° Balanced Air Flow system—create uniform warmth. The result—no cold spots.



**Bellavista™ 5.5
PURE AIR® II BATH**

MODEL NUMBER:
Y875 - RH blower

EXTERIOR DIMENSIONS:
66" long x 42" wide x
26" high

INTERIOR DIMENSIONS:
44½" long x 23½" wide

OPERATING GALLONS:
85 gallons



Bellavista™ 5.5 PURE AIR® II BATH

Y875

Bellavista™ 5.5 Pure Air® II Bath, Right Hand
(Includes a required drain/actuator kit in chrome)

- Center Drain Location
- Accessories / Hardware:
 - Trim Kit Rotary: #BN21
- Trim Kit Finishes Available:
 - (827) – Chrome
 - (898) – Brushed Chrome
 - (815) – Satin Nickel
 - (829) – Bright Brass
 - (805) – Platinum
 - (826) – Brushed Nickel
 - (845) – Oil Rubbed Bronze

INSTALLATION NOTES

Refer to installation instructions included with fixture before beginning installation. Please confirm product availability and specifications before commencing with any installation work.

PRODUCT SPECIFICATIONS AND AVAILABILITY ARE SUBJECT TO CHANGE WITHOUT NOTICE.

Technical Specifications

DIMENSIONS

66" L x 42" W x 26" H
(1676 mm) L x (1067 mm) W x (660 mm) H

DRAIN/OVERFLOW

A: 18-1/2" (470 mm) B: 9" (229 mm)

CUTOUT

Template Provided P/N P187000

TOTAL WEIGHT

763 lb (346 kg) / 51 lb/sq. ft. (249 kg/m²)

OPERATING GALLONAGE

85 U.S. Gal. (386 Liters)

PRODUCT WEIGHT

105 lb (48 kg)

SKIRT MOUNTING

Optional U-Frame

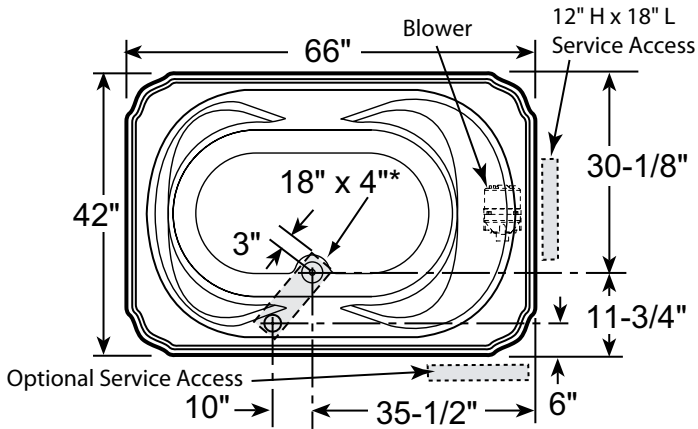
ELECTRICAL SPECIFICATIONS

Requires a dedicated GFCI protected separate circuit.

Blower: 120 VAC, 15 AMP, 60 Hz.

HEATER

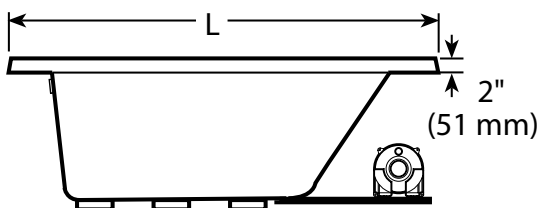
No water heater is available on this unit. Blower has integral air heater.



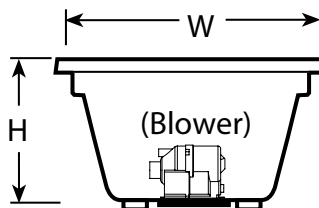
Product Shown: Bellavista™ 5.5 Pure Air II™ Bath
Left Hand Shown: Model: Y875

* Measurements inside unit represent cutout in floor to allow for drain/overflow.

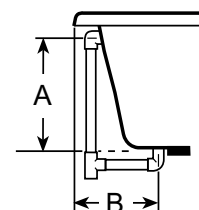
Minimum Service Access dimensions given.



SIDE VIEW



END VIEW



DRAIN/OVERFLOW

Free Manuals Download Website

<http://myh66.com>

<http://usermanuals.us>

<http://www.somanuals.com>

<http://www.4manuals.cc>

<http://www.manual-lib.com>

<http://www.404manual.com>

<http://www.luxmanual.com>

<http://aubethermostatmanual.com>

Golf course search by state

<http://golfingnear.com>

Email search by domain

<http://emailbydomain.com>

Auto manuals search

<http://auto.somanuals.com>

TV manuals search

<http://tv.somanuals.com>