

gallery™ 5 pure air® II bath

the gallery—an artful experience. the gallery™ pure air® II bath—the art of hydrotherapy



The Gallery™ is a work of art a clean, stylish well of relaxation, ideal for quiet contemplation.

features:

- Exclusive 360° Balanced Airflow™ system
- 600 watt variable speed heated air blower
- Thermal Lumbar Comfort (TLC)™
- Timed purge cycle
- Safely use salts and aromatic oils
- Pro₃™ Cleansing System

gallery™ 5 pure air® II bath

model number: Y900

exterior dimensions:

62" long x 43" wide x 19" high

interior dimensions:

41" long x 26" wide

operating gallons:

38 gallons

Detail: Air channels soothe the body. Effervescent bubbles uplift the mind. And in the Gallery™ Pure Air II® bath, elegant, traditional styling entices the designer in all of us.





Gallery™ 5 Pure Air® II Bath

Model: Y900

Ordering Information

Product Code:

Y900 Gallery™ 5 Pure Air® II Bath
Left Hand

- Left Hand Drain Location
- Accessories / Hardware:
 - Trim Kit Rotary: #BN21
- Trim Kit Finishes Available:
 - (827) - Chrome
 - (898) - Brushed Chrome
 - (815) - Satin Nickel
 - (829) - Bright Brass
 - (805) - Platinum
 - (826) - Brushed Nickel
 - (845) - Oil Rubbed Bronze

Installation Notes

Refer to installation instructions included with fixture before beginning installation. Please confirm product availability and specifications before commencing with any installation work.

PRODUCT SPECIFICATIONS AND AVAILABILITY ARE SUBJECT TO CHANGE WITHOUT NOTICE.

Technical Specifications

Dimensions

62" L x 43" W x 19" H
(1575 mm) L x (1092 mm) W x (543 mm) H

Drain/Overflow

A: 14-3/4" (375 mm) B: 9-1/2" (241 mm)

Cutout

Template Provided P/N P186000

Total Weight

671 lb (304 kg) / 36 lb/sq. ft. (176 kg/m²)

Operating Gallonage

38 U.S. Gal. (144 Liters)

Product Weight

104 lb (47 kg)

Skirt Mounting

Not Available

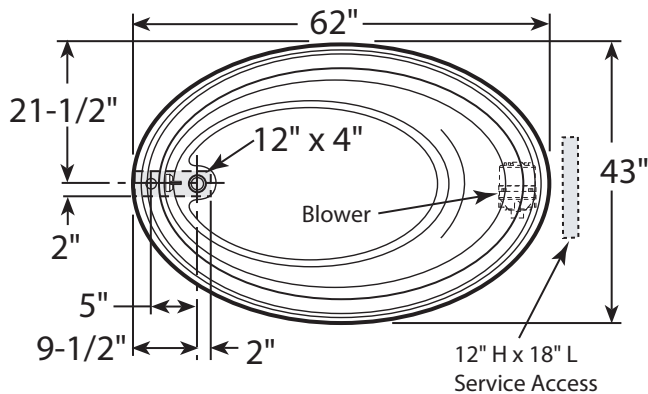
Electrical Specifications

Requires a dedicated GFCI protected separate circuit.

Blower: 120 VAC, 15 AMP, 60 Hz.

Heater

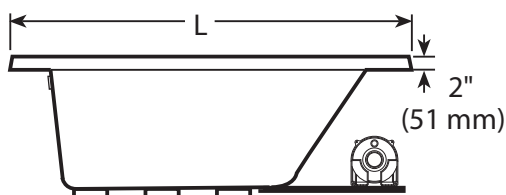
No water heater is available on this unit. Blower has integral air heater.



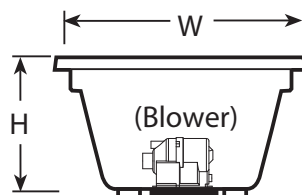
Product Shown: Gallery™ 5 Pure Air II™ Bath Left Hand Shown Model: Y900

* Measurements inside unit represent cutout in floor to allow for drain/overflow.

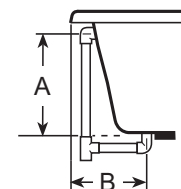
Minimum Service Access dimensions given.



SIDE VIEW



END VIEW



DRAIN/OVERFLOW

Free Manuals Download Website

<http://myh66.com>

<http://usermanuals.us>

<http://www.somanuals.com>

<http://www.4manuals.cc>

<http://www.manual-lib.com>

<http://www.404manual.com>

<http://www.luxmanual.com>

<http://aubethermostatmanual.com>

Golf course search by state

<http://golfingnear.com>

Email search by domain

<http://emailbydomain.com>

Auto manuals search

<http://auto.somanuals.com>

TV manuals search

<http://tv.somanuals.com>