



KICKER[®]
zKICKDIGITALSTEREOSYSTEMFORZUNE™



ZK500



Model: ZK500

Authorized Kicker Dealer: _____
Purchase Date: _____
Model Number: ZK500
Serial Number: _____

Congratulations on your KICKER purchase

Please record your purchase information and keep your sales receipt for validation of warranty.

The Kicker zKICK ZK500 Stereo System for Zune is designed for livin' loud with your Zune device in the home environment. The ZK500 is fully featured with dual full-range 5" (127mm) Kicker drivers and 3/4" (20mm) silk dome tweeters driven by a powerful amplifier with digital signal processing. The 6" (152mm) square passive radiator (subwoofer) on the back of the ZK500 balances the sonic output, adding the punchy low-frequency response that put Kicker subwoofers on the map. The rotary control and infrared remote allow simple, streamlined control of your ZK500 Stereo System. The ZK500 can be used with any existing Zune device. In addition, the ZK500 boasts a wide range of connectivity options including a composite video output, stereo RCA outputs, and an 1/8" stereo auxiliary input for incorporating additional audio/video devices with your ZK500 Stereo System.

Docking Your Zune Device

! The Zune Device should be mounted on the docking bay before connecting any power cables to the Kicker Stereo System.

1. Choose the dock adapter that best fits your Zune device. See the table below.
2. Attach the adapter to the ZK500's docking bay.
3. Connect your Zune device to the ZK500's dock connector.
4. Plug the power cable into the DC input on the back of the ZK500.
5. Plug the 2-prong electrical plug into a surge protected electrical outlet.

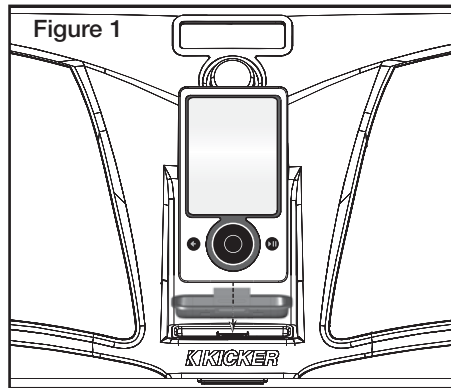


Figure 1

ZK500 Dock Adapter	Zune Device Model
1. A	Zune 30 Gb Digital Media Player
2. B	Zune 80 Gb Digital Media Player
3. C	Zune 4, 8 Gb Digital Media Player

Note: The ZK500 is compatible with Zune Firmware Version 1.4 and beyond. Before docking your Zune device to the ZK500 Stereo System, update to the latest Zune firmware by syncing your Zune device to your Zune software and checking for the most recent updates.



Visit www.soundgate.com to learn more about Soundgate products designed for enjoying your Zune device in the mobile environment. Soundgate products offer a wide range of options for connecting your Zune device to your factory car stereo system.

Note: To prevent vibration during playback, use the enclosed vibration isolation pad as shown in Fig. 2.

Figure 2

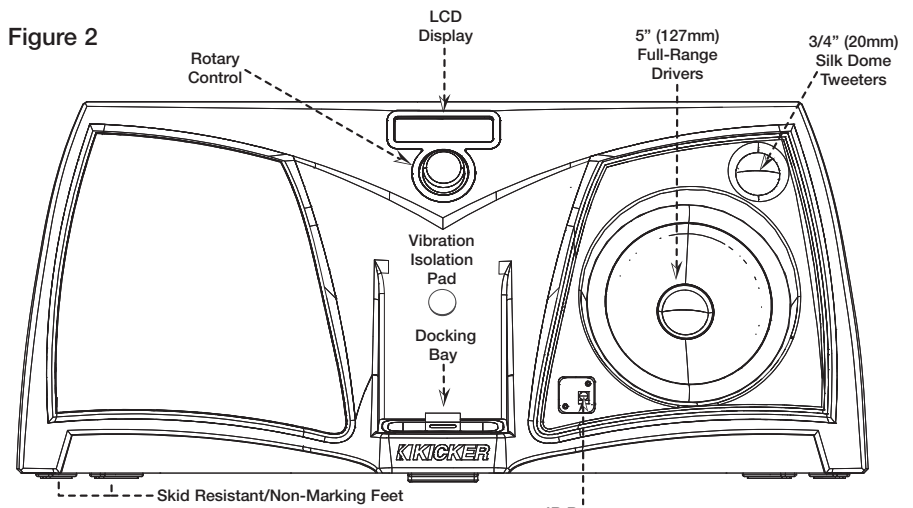
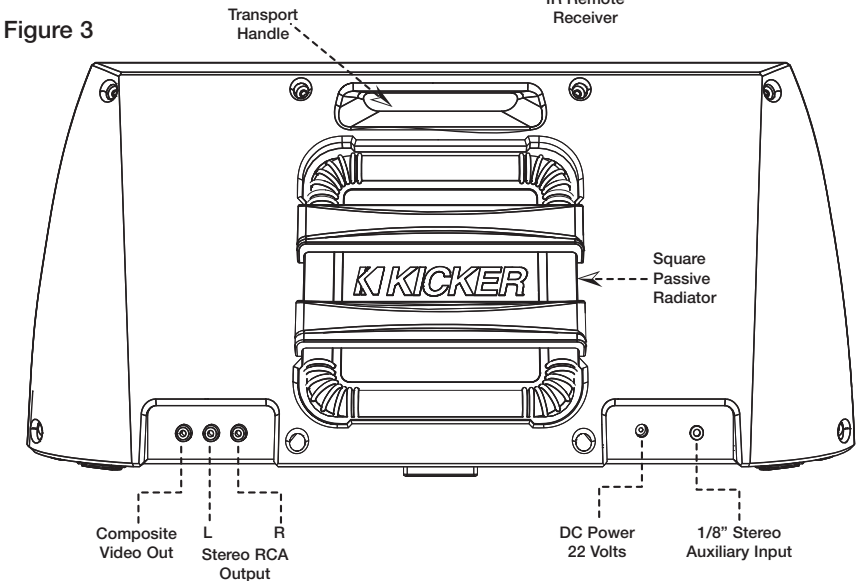


Figure 3



Important Safety Instructions

Read and follow all the instructions listed in this manual. Follow all safety and procedural recommendations to prevent damage to your self, your Kicker product, or your portable entertainment device.

The ZK500 should not be used near water or in an environment where exposure to liquids is possible. This includes but is not exclusive to areas where splashing, dripping, leaks, spills, and exposure to rain can occur. Liquid containers should not be placed on or near the ZK500 Stereo System. The ZK500 Stereo System should not be cleaned with liquid cleaners. Use only a dry cloth to clean the ZK500. Only use the ZK500 in areas with adequate open ventilation allowing at least 4" of space on all sides of the ZK500. Do not set the ZK500 on any surface or cover the ZK500 with any object that could impede the airflow to and from the ZK500 Stereo System. The ZK500 should not be placed near any source of heat. This includes but is not limited to stoves, radiators, heating elements, electronic heat sources, and areas where excessive solar heat can be generated. Do not install the ZK500 near any flame or place any flammable objects near the device. The power outlet used to provide power to the ZK500 should be accessible at all times. The polarized 2-prong electrical plug has a wide blade and narrow blade that should fit into the corresponding wide and narrow receiving connections of your electrical outlet. Do not force the plug into the outlet. If the plug provided with the unit does not fit, consult with an electrician to upgrade the electrical outlet accordingly. The power cord should be situated in a way that protects it from being pinched, walked on, tripped over, or accidentally pulled from the electrical outlet or the electrical input on the ZK500. Do not run the cable through doorways or underneath objects that could damage the wire or tear the insulating material surrounding the wire. Only use the manufacturer supplied power supply with the ZK500. We recommend using a surge protector/power conditioner and unplugging the ZK500 during any electrical storms or fluctuations in the electrical system.

Using the System Menu Rotary Control

The ZK500 Stereo System's rotary control provides an intuitive user interface. The System Menu options listed on the LCD display below are available for adjustment by the rotary control. The rotary control knob is used as a push-button to power on the ZK500 and to scroll through the menus available on the LCD screen. Turning the rotary control knob allows you to adjust the parameters of the selected menu.

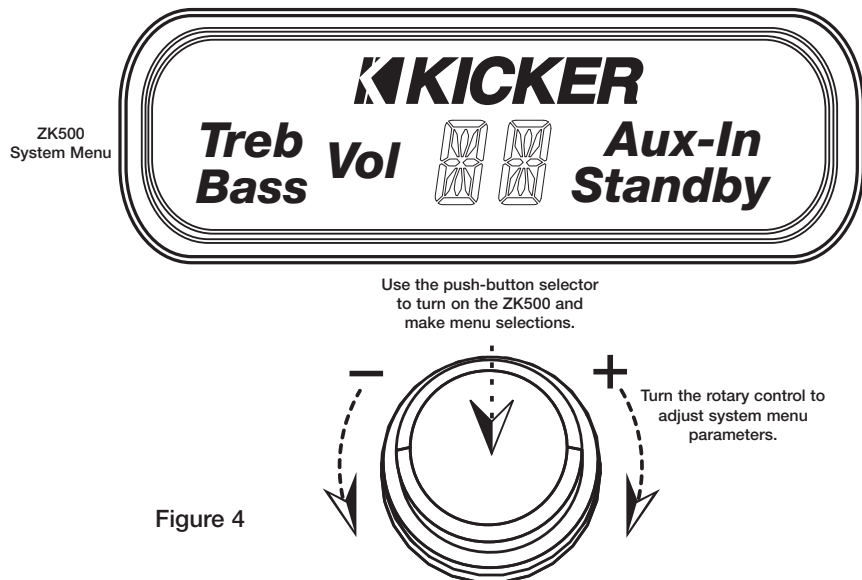


Figure 4

After plugging the power supply into the DC input on the back of the ZK500, the unit will be in "Standby" mode, as displayed by the LCD screen on the System Menu. Turn the power on by pushing the rotary control button once. When the power is on, both the "Kicker" logo and "Vol" will be displayed on the System Menu.

Volume: By default, the ZK500 will be in volume control mode and "Vol" will be displayed on the LCD screen. Turn the rotary knob to adjust the volume up or down. The rotary control will automatically revert to volume control mode after a short time period if any other menus have been selected.

To scroll through the other menus, simply use the rotary control as a push-button. Each single button push will take you from one menu to the next, rotating through Treb>Bass>Aux-In>Vol and back to the "Treb" treble control.

Treble: To adjust the treble on the ZK500, use the rotary control as a push-button to scroll through the menus until the "Treb" menu is displayed on the LCD screen. Turn the rotary control knob clockwise to increase treble and counter-clockwise to reduce treble.

Bass: To adjust the bass level on the ZK500, use the rotary control as a push-button to scroll through the menus until the "Bass" menu is displayed on the LCD screen. Turn the rotary control knob clockwise to increase bass and counterclockwise to reduce bass.

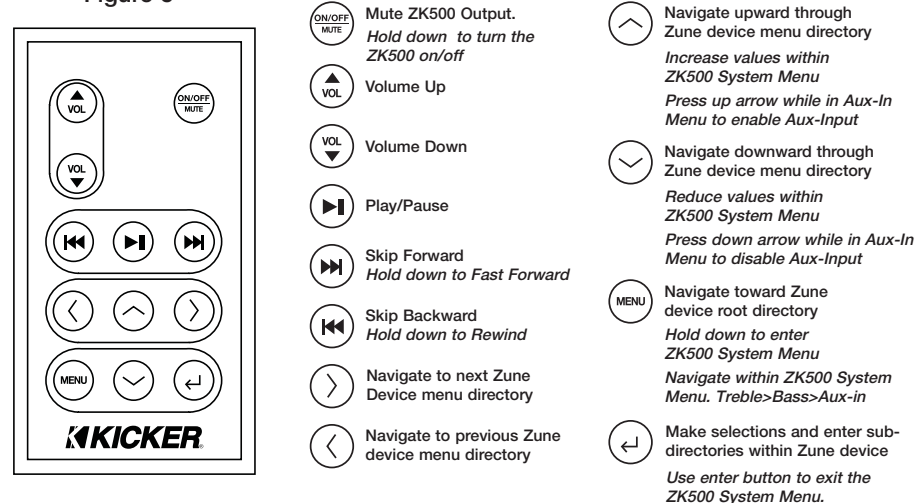
Auxiliary Input: To enable the auxiliary input on the ZK500, an external device must be plugged into the 1/8" stereo auxiliary input on the back of the unit. Use the rotary control as a push-button and scroll through the menus until "Aux-In" is displayed. Turn the rotary control clockwise to enable the auxiliary input. When the auxiliary is enabled, the system menu will display "ON". Turn the rotary control counter-clockwise to disable the auxiliary input and return to Zune device mode. When the auxiliary input is disabled, the system menu will display "--".

Standby: In "Standby" mode, the ZK500 will be powered down, but your docked Zune device will continue to charge as long as a power source is plugged into the DC input on the back of the ZK500. To enter standby mode simply press and hold the rotary control button until the unit turns off and "Standby" is displayed.

Using the Remote Control

The Infrared Remote Control enables you to control your Zune device and access the ZK500 System Menu from a convenient location. With the fully featured remote control it is easy to access all of your Zune device's music and/or video content.

Figure 5



Connecting External Devices

To connect an external video display to the ZK500, make sure the video output is enabled on your Zune device. Enabling the video out on your Zune device may require a firmware upgrade. Check for software updates from the help menu of your Zune software with your device connected to your computer's USB port. To enable the video output, on the Zune device's main menu, select settings>display>tv out. Turn the tv out setting to on. Connect a standard RCA composite video cable from the composite video output on the back of the ZK500 to the RCA video input on your external video display. See Figure 3. This is a pass-through connection. If there are any problems with your external video display, refer to the Zune device manual or the instructions packaged with your external video display. The 4 and 8 GB Zune digital media players will not output video through the ZK500.

To connect an external audio device to the ZK500, enable Aux-In mode with the rotary control as previously described. Connect your line level device to the 1/8" stereo input on the back of the ZK500 with the included auxiliary cable. See Figure 2. If the sound is distorted, you may be overriding the auxiliary input. Try turning down the external device until the sound is no longer distorted.

Performance

Model:	ZK500
Speaker Design	2 - Way
Woofer Size, in (mm)	5 (127)
Tweeter Size, in (mm)	3/4 (20)
Tweeter Design	Silk Dome
Passive Radiator Size, in (mm)	6 X 6 (152 X 152)
RMS Power, Watts @ 1% Total Harmonic Distortion	2 X 20
Effective Frequency Range, Hz	50 - 20k
Power Supply, Volts (Ampere)	22 (2.7)
Height, in (mm)	8.5 (216)
Width, in (mm)	19.2 (488)
Depth, in (mm)	8.4 (214)
	9.2 (4.2)

Home Limited Warranty

KICKER warrants this product to be free from defects in material and workmanship under normal use for a period of ONE (1) YEAR from date of original purchase with the original receipt from an Authorized KICKER Dealer. Should service be necessary under this warranty for any reason due to manufacturing defect or malfunction during the warranty period, KICKER will repair or replace (at its discretion) the defective merchandise with equivalent merchandise at no charge. Warranty replacements may have cosmetic scratches and blemishes. Discontinued products may be replaced with more current equivalent products.

This warranty is valid only for the original purchaser and is not extended to owners of the product subsequent to the original purchaser. Any applicable implied warranties are limited in duration to a period of the express warranty as provided herein beginning with the date of the original purchase at retail, and no warranties, whether express or implied, shall apply to this product thereafter. Some states do not allow limitations on implied warranties; therefore these exclusions may not apply to you. This warranty gives you specific legal rights; however you may have other rights that vary from state to state.

WHAT TO DO IF YOU NEED WARRANTY OR SERVICE

Defective merchandise should be returned to your local Authorized KICKER Dealer for warranty service. Assistance in locating an Authorized Dealer can be found at www.kicker.com or by contacting KICKER directly.

If it becomes necessary for you to return defective merchandise directly to Stillwater Designs (KICKER), call the KICKER Customer Service Department at (405) 624-8510 for a Return Merchandise Authorization (RMA) number. Package all defective items in the original container or in a package that will prevent shipping damage, and return to:

Stillwater Designs, 5021 North Perkins Road, Stillwater, OK 74075

The RMA number must be clearly marked on the outside of the package. Include a copy of the original receipt with the purchase date clearly visible, and a "proof-of-purchase" statement listing your name and return shipping address, the Dealer's name and invoice number, and product purchased. Warranty expiration on items without proof-of-purchase will be determined from the type of sale and manufacturing date code. Freight must be prepaid; items sent freight-collect, or COD, will be refused.

WHAT IS NOT COVERED?

This warranty is valid only if the product is used for the purpose for which it was designed. It does not cover:

- o Damage due to improper use.
- o Damage due to improper installation of components or audio/video devices.
- o Subsequent damage to other components or audio/video devices.
- o Damage caused by exposure to moisture, excessive heat, chemical cleaners, and/or UV radiation.
- o Damage through negligence, misuse, flood, fire, earthquake, accident, or abuse. Repeated returns for the same damage may be considered abuse.
- o Items previously repaired or modified by any unauthorized repair facility or person.
- o Return shipping on non-defective items.
- o Products with tampered or missing barcode labels.
- o Products returned without a Return Merchandise Authorization (RMA) number.
- o Freight Damage.
- o The cost of shipping product to KICKER.
- o Service performed by anyone other than KICKER.

HOW LONG WILL IT TAKE?

KICKER strives to maintain a goal of 72-hour service for all home and portable electronic returns. Delays may be incurred if lack of replacement inventory or parts is encountered.

Failure to follow these steps may void your warranty. Any questions can be directed to the KICKER Customer Service Department at (405) 624-8510.

International Warranty

Contact your International KICKER dealer or distributor concerning specific procedures for your country's warranty policies.

WARNING: KICKER products are capable of producing sound levels that can permanently damage your hearing! Turning up a system to a level that has audible distortion is more damaging to your ears than listening to an undistorted system at the same volume level. The threshold of pain is always an indicator that the sound level is too loud and may permanently damage your hearing. Please use common sense when controlling volume.

GARANTÍA INTERNACIONAL *Versión Español*

Comuníquese con su concesionario o distribuidor KICKER internacional para obtener información sobre procedimientos específicos relacionados con las normas de garantía de su país.

ADVERTENCIA: Los excitadores KICKER son capaces de producir niveles de sonido que pueden dañar permanentemente el oído. Subir el volumen del sistema hasta un nivel que produzca distorsión es más dañino para el oído que escuchar un sistema sin distorsión al mismo volumen. El dolor es siempre una indicación de que el sonido es muy fuerte y que puede dañar permanentemente el oído. Sea precavido cuando controle el volumen.

La frase "combustible para vivir la vida Livin' Loud™ a todo volumen" se refiere al entusiasmo por la vida que la marca KICKER de estéreos de automóvil representa y a la recomendación a nuestros clientes de que vivan lo mejor posible ("a todo volumen") en todo sentido. La línea de altavoces y amplificadores KICKER es la mejor del mercado de audio de automóviles y por lo tanto representa el "combustible" para vivir a todo volumen en el área de "estéreos de automóvil" de la vida de nuestros clientes. Recomendamos a todos nuestros clientes que obedezcan todas las reglas y reglamentos locales sobre ruido en cuanto a los niveles legales y apropiados de audición fuera del vehículo.

INTERNATIONALE GARANTIE *Deutsche Version*

Nehmen Sie mit Ihren internationalen KICKER-Fachhändler oder Vertrieb Kontakt auf, um Details über die Garantieleistungen in Ihrem Land zu erfahren.

WARNUNG: KICKER-Treiber können einen Schallpegel erzeugen, der zu permanenten Gehörschäden führen kann! Wenn Sie ein System auf einen Pegel stellen, der hörbare Verzerrungen erzeugt, schadet das Ihren Ohren mehr, als ein nicht verzerrtes System auf dem gleichen Lautstärkepegel. Die Schmerzschwelle ist immer eine Anzeige dafür, dass der Schallpegel zu laut ist und zu permanenten Gehörschäden führen kann. Seien Sie bei der Lautstärkeinstellung bitte vernünftig!

Der Slogan "Treibstoff für Livin' Loud" bezieht sich auf die mit den KICKER-Autostereosystemen assoziierte Lebensfreude und die Tatsache, dass wir unsere Kunden ermutigen, in allen Aspekten ihres Lebens nach dem Besten ("Livin' Loud") zu streben. Die Lautsprecher und Verstärker von KICKER sind auf dem Markt für Auto-Soundsysteme führend und stellen somit den "Treibstoff" für das Autostereoeerlebnis unserer Kunden dar. Wir empfehlen allen unseren Kunden, sich bezüglich der zugelassenen und passenden Lautstärkepegel außerhalb des Autos an die örtlichen Lärmvorschriften zu halten.

GARANTIE INTERNATIONALE *Versión Française*

Pour connaître les procédures propres à la politique de garantie de votre pays, contactez votre revendeur ou distributeur International KICKER.

AVERTISSEMENT: Les haut-parleurs KICKER ont la capacité de produire des niveaux sonores pouvant endommager l'ouïe de façon irréversible ! L'augmentation du volume d'un système jusqu'à un niveau présentant une distorsion audible endommage davantage l'ouïe que l'écoute d'un système sans distorsion au même volume. Le seuil de la douleur est toujours le signe que le niveau sonore est trop élevé et risque d'endommager l'ouïe de façon irréversible. Réglez le volume en faisant preuve de bon sens !

L'expression " carburant pour vivre plein pot " fait référence au dynamisme de la marque KICKER d'équipements audio pour véhicules et a pour but d'encourager nos clients à faire le maximum (" vivre plein pot ") dans tous les aspects de leur vie. Les haut-parleurs et amplificateurs KICKER sont les meilleurs dans le domaine des équipements audio et représentent donc pour nos client le " carburant pour vivre plein pot " dans l'aspect " installation équipement de véhicule " de leur vie. Nous encourageons tous nos clients à respecter toutes les lois et réglementations locales relatives aux niveaux sonores acceptables à l'extérieur des véhicules.



Free Manuals Download Website

<http://myh66.com>

<http://usermanuals.us>

<http://www.somanuals.com>

<http://www.4manuals.cc>

<http://www.manual-lib.com>

<http://www.404manual.com>

<http://www.luxmanual.com>

<http://aubethermostatmanual.com>

Golf course search by state

<http://golfingnear.com>

Email search by domain

<http://emailbydomain.com>

Auto manuals search

<http://auto.somanuals.com>

TV manuals search

<http://tv.somanuals.com>