

ENGLISH
page 1

FRANÇAIS
page 25

ESPAÑOL
página 49

PS300 Series Gas and Electric Ovens

Models:

- PS310
- PS314
- PS360/360Q/360S
- PS360WB
- PS360EWB
- PS360WB70

Combinations:

- Single Lower Oven
- Single Upper Oven on Stand
- Double Oven (Two-Stack)
- Tandem Oven
- Double (Two-Stack) Tandem Oven

OWNER'S OPERATING & INSTALLATION MANUAL

© 2000 Middleby Marshall, Inc.



**Middleby
Marshall®** is a registered trademark of Middleby Marshall, Inc. All rights reserved.

Middleby Cooking Systems Group • 1400 Toastmaster Drive • Elgin, IL 60120 • (847)741-3300 • FAX (847)741-4406



NOTICE:

This Owner's Operating and Installation Manual should be given to the user. The operator of the oven should be familiar with the functions and operation of the oven.

This manual must be kept in a prominent, easily reachable location near the oven.

Gas ovens are designed for use with EITHER natural gas OR liquid propane gas, as specified on the serial plate. Where permitted by local and national codes, the oven can be converted from natural gas to propane operation, or from propane to natural gas operation. This conversion requires the installation of the appropriate Middleby Marshall Gas Conversion Kit by an Authorized Service Agent.

It is suggested to obtain a service contract with a Middleby Marshall Authorized Service Agent.

WARNING

POST, IN A PROMINENT LOCATION, THE EMERGENCY TELEPHONE NUMBER OF YOUR LOCAL GAS SUPPLIER AND INSTRUCTIONS TO BE FOLLOWED IN THE EVENT YOU SMELL GAS.

Instructions to be followed in the event the user smells gas shall be obtained by consulting the local gas supplier. If the smell of gas is detected, immediately call the emergency phone number of your local Gas Company. They will have personnel and provisions available to correct the problem.

FOR YOUR SAFETY

Do not store or use gasoline or other flammable vapors or liquids in the vicinity of this or any other appliance.

WARNING:

Improper installation, adjustment, alteration, service or maintenance can cause property damage, injury or death. Read the installation, operating and maintenance instructions thoroughly before installing or servicing this equipment.

IMPORTANT

An electrical wiring diagram for the oven is located inside the machinery compartment or control compartment.

IMPORTANT

It is the customer's responsibility to report any concealed or non-concealed damage to the freight company. Retain all shipping materials until it is certain that the equipment has not suffered concealed shipping damage.

NOTICE: CONTACT YOUR MIDDLEBY MARSHALL AUTHORIZED SERVICE AGENT TO PERFORM MAINTENANCE AND REPAIRS. AN AUTHORIZED SERVICE AGENCY DIRECTORY IS SUPPLIED IN YOUR INSTALLATION KIT.

NOTICE: Using any parts other than genuine Middleby Marshall factory manufactured parts relieves the manufacturer of all warranty and liability.

NOTICE: Middleby Marshall (Manufacturer) reserves the right to change specifications at any time.

NOTICE: The equipment warranty is not valid unless the oven is installed, started and demonstrated under the supervision of a factory certified installer.

Retain This Manual For Future Reference

Middleby Cooking Systems Group • 1400 Toastmaster Drive • Elgin, IL 60120 • USA • (847)741-3300 • FAX (847)741-4406

24-Hour Service Hotline: 1-(800)-238-8444

www.middleby.com

TABLE OF CONTENTS

	<i>page</i>		<i>page</i>
SECTION 1 - DESCRIPTION	4	IV. THERMOCOUPLE INSTALLATION	9
I. OVEN USES	4	V. TANDEM OVEN ASSEMBLY	10
II. OVEN COMPONENTS	4	VI. CONVEYOR INSTALLATION	12
A. Crumb Pans	4	A. All Non-Tandem Ovens	12
B. Conveyor Drive Motor	4	B. Tandem Oven Models	13
C. Conveyor	4	VII. FINAL ASSEMBLY	13
D. End Plugs	4	VIII. ELECTRICAL SUPPLY	14
E. Serial Plate	4	A. Electric Ovens	14
F. Window	4	B. Gas Ovens	14
G. Machinery Compartment Access Panel	4	C. Ovens with External Transformers	14
H. Control Compartment Access Panel	4	D. Connection	14
I. Control Panel	4	IX. GAS SUPPLY	15
J. Eyebrows	4	A. Gas Utility Rough-In Recommendations	15
K. Conveyor End Stop	4	B. Connection	15
L. Gas Burner	4	C. Gas Conversion	15
M. Blowers	4	SECTION 3 - OPERATION	16
N. Air Fingers	4	I. LOCATION AND DESCRIPTION OF CONTROLS ..	16
III. OVEN SPECIFICATIONS	4	A. BLOWER (☼) Switch	16
A. Dimensions	4	B. HEAT (☼) Switch	16
B. General Specifications	5	C. CONVEYOR (☼) Switch	16
C. Gas Orifice and Pressure Specifications	5	D. Conveyor Speed Controller	16
D. Electrical Specifications - Gas Ovens	5	E. Digital Temperature Controller	16
E. Electrical Specifications - Electric Ovens	5	F. Machinery Cpt. Access Panel Safety Switch	16
SECTION 2 - INSTALLATION	6	II. NORMAL OPERATION, STEP-BY-STEP	17
I. INSTALLATION KIT	7	A. Daily Startup Procedures	17
A. Components	7	B. Daily Shutdown Procedures	17
B. Additional Components - Gas Ovens	7	III. QUICK REFERENCE: DIGITAL TEMP CONTROL .	18
C. Additional Components - Tandem Ovens	7	IV. QUICK REFERENCE: TROUBLESHOOTING	19
II. VENTILATION SYSTEM	8	SECTION 4 - MAINTENANCE	20
A. Requirements	8	I. MAINTENANCE - DAILY	21
B. Recommendations	8	II. MAINTENANCE - MONTHLY	22
C. Other Ventilation Concerns	8	III. MAINTENANCE - EVERY 3 MONTHS	23
III. ASSEMBLY	9	IV. MAINTENANCE - EVERY 6 MONTHS	23
A. Stacking	9	V. KEY SPARE PARTS KIT	24
B. Stands	9		

SECTION 1 - DESCRIPTION

I. OVEN USES

PS300 Series Ovens can be used to bake and/or cook a wide variety of food products, such as pizza, pizza-type products, cookies, sandwiches and others.

II. OVEN COMPONENTS - see Figure 1-1.

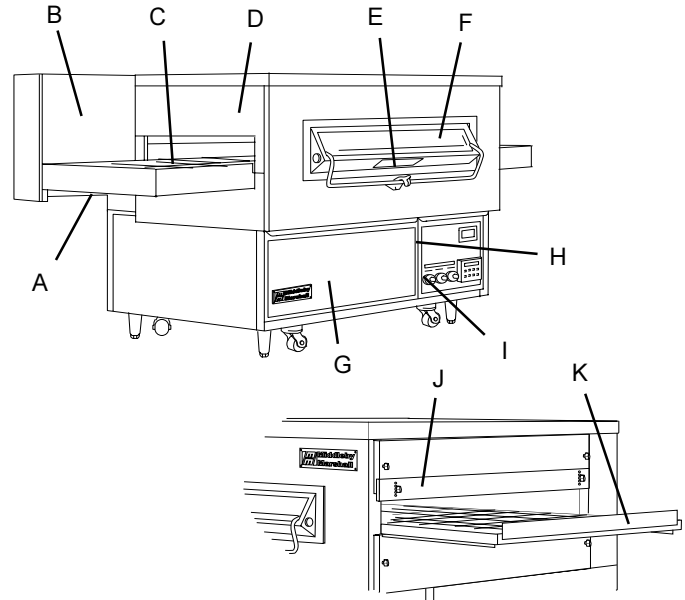
- A. Crumb Pans:** Catch crumbs and other material that drop through the conveyor belt. One crumb pan is located underneath each end of the conveyor.
- B. Conveyor Drive Motor:** Moves the conveyor.
- C. Conveyor:** Moves the food product through the oven.
- D. End Plugs:** Allow access to the oven's interior.
- E. Serial Plate:** Provides specifications for the oven that affect installation and operation. Refer to Section 2, [Installation](#), for details.
- F. Window (on ovens so equipped):** Allows the user to see and access food products inside the baking chamber.
- G. Machinery Compartment Access Panel:** Allows access to the oven's interior components. No user-servicable parts are located in the machinery compartment.
- H. Control Compartment Access Panel:** Allows access to the control components. This panel is combined with the Machinery Compartment Access Panel on PS360EWB and WB70 ovens. No user-servicable parts are located in the control compartment.
- I. Control Panel:** Location of the operating controls for the oven. Refer to Section 3, [Operation](#), for details.
- J. Eyebrows (on ovens so equipped):** Can be adjusted to various heights to prevent heat loss into the environment.

- K. Conveyor End Stop:** Prevents food products from falling off the end of the moving conveyor.

Not Shown:

- L. Gas Burner:** Heats air, which is then projected to the air fingers by the blowers.
- M. Blowers:** Fans that project hot air from the burner to the air fingers.
- N. Air Fingers:** Project streams of hot air onto the food product.

Fig. 1-1 - Oven Components



III. OVEN SPECIFICATIONS

A. Dimensions	PS310	PS314	PS360/360Q/360S	PS360Tandem	PS360WB	PS360WB Tandem	PS360EWB	PS360WB70
Overall Height								
Lower oven, with top & legs	45-1/2" 1143mm	45-1/2" 1143mm	45-1/2" 1143mm	45-1/2" 1143mm	45-1/2" 1143mm	45-1/2" 1143mm	45-1/2" 1143mm	45-1/2" 1143mm
Upper oven, with stand and top	64-1/2" 1638mm	64-1/2" 1638mm	64-1/2" 1638mm	64-1/2" 1638mm	64-1/2" 1638mm	64-1/2" 1638mm	64-1/2" 1638mm	64-1/2" 1638mm
Double oven (two-stack)	82-1/4" 2089mm	82-1/4" 2089mm	82-1/4" 2089mm	82-1/4" 2089mm	82-1/4" 2089mm	82-1/4" 2089mm	82-1/4" 2089mm	82-1/4" 2089mm

Overall Depth								
inc. rear shrouds and front window	39" 991mm	39" 991mm	47" 1194mm	47" 1194mm	55" 1397mm	55" 1397mm	60" 1524mm	55" 1397mm
inc. rear shrouds (no window)	36" 914mm	36" 914mm	44" 1118mm	44" 1118mm	52" 1321mm	52" 1321mm	-	-

Overall Length								
	90-1/2" 2299mm	70-3/4"* 1797mm*	90-1/2"* 2299mm*	144-1/2" 3670mm	90-1/2" 2299mm	144-1/2" 3670mm	90-1/2" 2299mm	106" 2692mm

* NOTE: The PS314 and PS360Q dimensions do NOT include the optional end trays.

Conveyor Width								
Single Belt	24" 610mm	24" 610mm	32" 813mm	32" 813mm	40" 1016mm	40" 1016mm	44" 1118mm	40" 1016mm
Split Belt, identical width	-	-	2x15" 381mm	2x15" 381mm	2x19" 483mm	2x19" 483mm	2x21" 533mm	2x19" 483mm
Split Belt, unequal width	-	-	-	-	1x13"/330mm AND 1x26"/660mm	1x13"/330mm AND 1x26"/660mm	1x14"/356mm AND 1x28"/711mm	1x13"/330mm AND 1x26"/660mm

Recommended Minimum Clearances								
Rear of oven (inc. rear shrouds) to wall	1" 25mm	1" 25mm	1" 25mm	1" 25mm	1" 25mm	1" 25mm	1" 25mm	1" 25mm
Conveyor extension to wall (both ends)	0" 0mm	0" 0mm	0" 0mm	0" 0mm	0" 0mm	0" 0mm	0" 0mm	0" 0mm

B. General specifications (per oven cavity)

	<i>PS310</i>	<i>PS314</i>	<i>PS360/360Q/360S</i>	<i>PS360WB</i>	<i>PS360EWB</i>	<i>PS360WB70</i>
Weight	1165 lbs./529kg	1165 lbs./529kg	1285 lbs./583kg	1485 lbs./674kg	1620 lbs./733kg	1825 lbs./829kg
Shipping Weight	1241 lbs./563kg	1241 lbs./563kg	1360 lbs./617kg	1560 lbs./708kg	1695 lbs./767kg	1900 lbs./863kg
Shipping Carton Vol.	105 ft. ³ /2.98m ³	105 ft. ³ /2.98m ³	106 ft. ³ /3.00m ³	129 ft. ³ /3.65m ³	129 ft. ³ /3.65m ³	164 ft. ³ /4.65m ³
Rated Heat Input						
Gas	135,000 BTU 34,020kcal, 40kw/hr.	135,000 BTU 34,020kcal, 40kw/hr.	135,000 BTU 34,020kcal, 40kw/hr.	170,000 BTU 42,840kcal, 50kw/hr.	175,000 BTU 44,100kcal, 52kw/hr.	175,000 BTU 44,100kcal, 52kw/hr.
Electric	26kw/hr.	26kw/hr.	26kw/hr.	--	--	--
Max. Operating Temp.	----- 550°F/288°C ----->					
Air Blowers	----- 2 blowers at 1550 ft. ³ (43.9m ³)/min. at 1700 RPM, 0.88"/2.2cm water static pressure ----->					
Air Jet Velocity (avg.)	----- 2600 ft./min. (1320cm/sec.) ----->					
Warmup Time	----- 15 minutes ----->					

C. Gas orifice and pressure specifications - for gas-fired ovens (per oven cavity)

	<i>Main Orifice I.D.</i>						<i>Pilot Orifice I.D.</i>	<i>Bypass Orifice I.D. *</i>	<i>Supply (inlet) pressure</i>	<i>Manifold pressure</i>
	<i>PS310</i>	<i>PS314</i>	<i>PS360/360Q/360S</i>	<i>PS360WB</i>	<i>PS360EWB</i>	<i>PS360WB70</i>				
Natural Gas	0.219" 5.56mm	0.219" 5.56mm	0.219" 5.56mm	0.250" 6.35mm	0.250" 6.35mm	0.250" 6.35mm	0.028" 0.71mm	0.065"/#53 drill 1.65mm	6-12" W.C. 14.9-29.9mbar	3-1/2" W.C. 8.7mbar
Propane	0.134" 3.40mm	0.134" 3.40mm	0.134" 3.40mm	0.152" 3.86mm	0.165" 4.19mm	0.165" 4.19mm	0.018" 0.46mm	0.034"/#62 drill 0.86mm	11-14" W.C. 27.4-34.9mbar	10" W.C. 24.9mbar

* NOTE: The PS360EWB gas oven does not use a bypass orifice.

D. Electrical specifications - for gas-fired ovens (per oven cavity)

	<i>Main Blower Voltage</i>	<i>Control Circuit Voltage</i>	<i>Phase</i>	<i>Freq.</i>	<i>Current Draw</i>	<i>Poles</i>	<i>Wires</i>
PS310/314/360/360Q/360S/360WB	208-240V	120V	1 Ph	60 Hz	10A	3 Pole	4 Wire (2 hot, 1 neut, 1 gnd)
	208-240V (export)	120V (transformer)	1 Ph	50/60 Hz	10A	2 Pole	3 Wire (2 hot, 1 gnd)
	200-220V (export)	120V (transformer)	1 Ph	50/60 Hz	10A	2 Pole	3 Wire (2 hot, 1 gnd)
PS360EWB/WB70	208-240V	120V conveyor speed controller (transformer); all other control circuits as per line (208-240V)	1 Ph	60 Hz	12A	2 Pole	3 wire (2 hot, 1 gnd)

E. Electrical specifications - for electrically-heated ovens (per oven cavity)

	<i>Main Blower Voltage</i>	<i>Control Circuit Voltage</i>	<i>Phase</i>	<i>Freq.</i>	<i>Current Draw</i>	<i>kW Rating</i>	<i>Poles</i>	<i>Wires</i>
	208-240V (with 3 Ph blower motors)	120V	3 Ph	60 Hz	67.3A at 208V 58.4A at 240V	26.0 kW at 208V 26.0 kW at 240V	4 Pole	5 Wire (3 hot, 1 neut, 1 gnd)
	208-240V (with 1 Ph blower motors)	120V	3 Ph	60 Hz	67.3A at 208V 58.4A at 240V	26.0 kW at 208V 26.0 kW at 240V	4 Pole	5 Wire (3 hot, 1 neut, 1 gnd)
	200-220V (export)	120V (transformer)	3 Ph	50/60 Hz	67.3A at 208V 53.5A at 220V	24.3 kW at 208V 20.4 kW at 220V	3 Pole	4 Wire (3 hot, 1 gnd)
	240V (export)	120V (transformer)	3 Ph	50/60 Hz	58.4A	26.0 kW	3 Pole	4 Wire (3 hot, 1 gnd)
	380V (export)	120V (transformer)	3 Ph	50/60 Hz	36.8A	24.3 kW	3 Pole	4 Wire (3 hot, 1 gnd)
	400-416V (export)	120V (transformer)	3 Ph	50/60 Hz	33.8A	24.3 kW	3 Pole	4 Wire (3 hot, 1 gnd)
	480V	120V (transformer)	3 Ph	60 Hz	29.2A	26.0 kW	3 Pole	4 Wire (3 hot, 1 gnd)

IMPORTANT

Additional electrical information is provided on the oven's serial plate, and on the wiring diagram inside the machinery compartment.

SECTION 2 - INSTALLATION

WARNING - After any conversions, readjustments, or service work on the oven:

- Perform a gas leak test.
- Test for correct air supply, particularly to the burner blower.
- Test for proper combustion and gas supply.
- Check that the ventilation system is in operation.

WARNING

Keep the appliance area free and clear of combustibles.

WARNING

The oven must be installed on an even (level) non-flammable flooring and any adjacent walls must be non-flammable. Recommended minimum clearances are specified in the *Description* section of this Manual.

WARNING

Do not obstruct the flow of combustion and ventilation air to and from your oven. There must be no obstructions around or underneath the oven. Constructional changes to the area where the oven is installed shall not affect the air supply to the oven.

CAUTION

For additional installation information, refer to the following documents:
PS360 Pre-Installation Procedures Manual (Middleby Marshall P/N 88210-0024)
PS360 Installation Manual (Middleby Marshall P/N 88210-0025)
Or, contact your local Authorized Service Agent.

NOTE

There must be adequate clearance between the oven and combustible construction. Clearance must also be provided for servicing and for proper operation.

NOTE

An electrical wiring diagram for the oven is located inside the machinery compartment or control compartment.

NOTE

All aspects of the oven installation, including placement, utility connections, and ventilation requirements, must conform with any applicable local, national, or international codes. These codes supercede the requirements and guidelines provided in this manual.

NOTE

In U.S.A., the oven installation must conform with local codes, or in the absence of local codes, with the National Fuel Gas Code, ANSI Z223.1. The oven, when installed, must be electrically grounded in accordance with local codes, or in the absence of local codes, with the National Electrical Code (NEC), or ANSI/NFPA70.

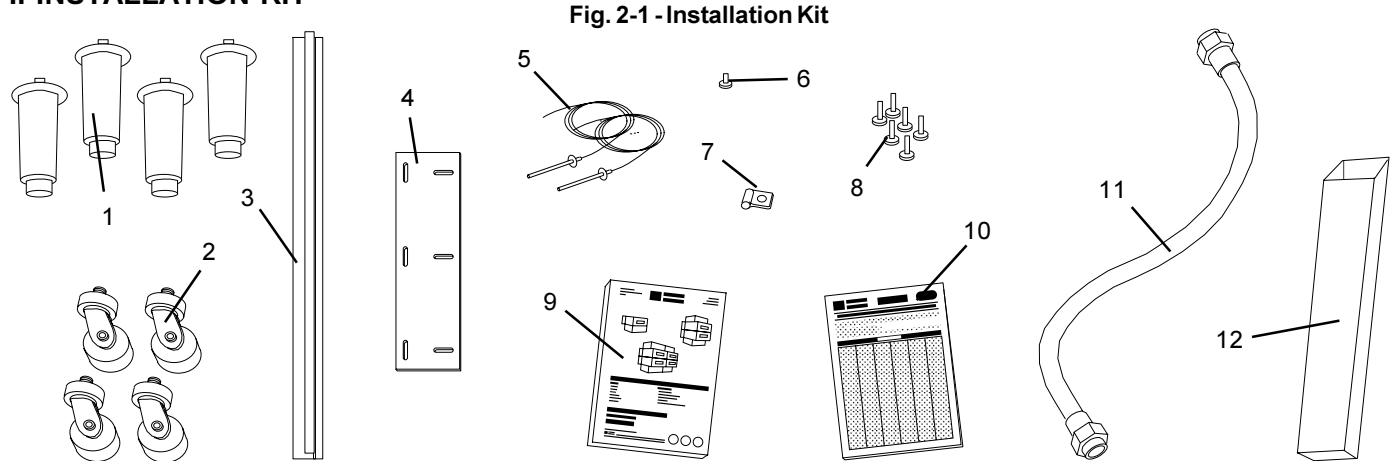
NOTE

In Canada, the oven installation must conform with local codes, or in the absence of local codes, with the Natural Gas Installation Code, CAN/CGA-B149.1, or the Propane Gas Installation Code, CAN/CGA-B149.2, as applicable. The oven, when installed, must be electrically grounded in accordance with local codes, or in the absence of local codes, with the Canadian Electrical Code CSA, C22.2, as applicable.

NOTE

For Australian installation, the oven installation must conform with AGA Code, AG601, and with any requirements of the appropriate statutory authority.

I. INSTALLATION KIT



A. Installation kit components (one kit required per cavity)

Item	Description	PartNumber	LowerOvenw/oTop	LowerOvenw/Top	UpperOven
1	Legs, adjustable	22450-0028	4	4	--
2*	Caster, Swivel (with stud)	37115-0102	4*	4*	4*
3a	Conveyor End Stop - PS310/314	35000-1099	1	1	1
3b	Conveyor End Stop - PS360/360S				
	• Single Belt	35000-1103	1	1	1
	• Split Belt	35509	2	2	2
3c	Conveyor End Stop - PS360Q	37000-0524	1	1	1
3c	Conveyor End Stop - PS360WB/WB70 (Single or Split Belt)	36526	1	1	1
3d	Conveyor End Stop - PS360EWB				
	• Single Belt	35900-0370	2	2	2
	• Split Belt: 2x21"/533mm belts	35900-0370	2	2	2
	• Split Belt: 1x14"/356mm belt +	35509	1	1	1
	1x28"/711mm belt	35000-1099	1	1	1
4	Attachment Plate, upper oven	35122-0049	--	--	2
5	Thermocouple	33812-1	2	2	2
6	Screw, #10-32 x 3/8"	21256-0008	2	2	2
7	Cable Clamp	27276-0001	1	1	1
8	Screw, #2PT 10-16 x 3/4" HWH	21292-0001	2	2	14
9	Owner's Operating and Installation Manual	41823	1	1	1
10	Authorized Service Agency Listing	1002040	1	1	1

NOTE

* The 4 swivel casters (Item 2) are pre-attached to each oven cavity for ease of movement during installation.

B. Additional installation kit components for gas ovens

Item	Description	PartNumber	LowerOvenw/oTop	LowerOvenw/Top	UpperOven
6	Screw, #10-32 x 3/8"	21256-0008	1	1	1
8	Screw, #2PT 10-16 x 3/4" HWH	21292-0001	2	2	2
11	Gas hose, flexible	22361-0001	1	1	1
12a	Flue vent, 14" (356mm)	30773	--	1	--
12b	Flue vent, 29-1/2" (749mm)	30759	--	--	1
12c	Flue vent, 50" (1270mm)	30758	1	--	--

C. Additional installation kit components for tandem ovens (not shown)

Item	Description	PartNumber	TandemOven	Double (2-stack) TandemOven
--	Machinery Compartment Trim Strip	35000-1454	1	2
--	Front Gasket Spacer	35000-1456	2	4
--	Rear Gasket Spacer	35000-1457	2	4
--	Baking Chamber Gasket and Frame - PS360	37200-0013	1	2
--	Baking Chamber Gasket and Frame - PS360WB	32483	1	2

II. VENTILATION SYSTEM

IMPORTANT

Where national or local codes require the installation of fire suppression equipment or other supplementary equipment, **DO NOT** mount the equipment directly to the oven.

MOUNTING SUCH EQUIPMENT ON THE OVEN MAY:

- **VOID AGENCY CERTIFICATIONS**
- **RESTRICT SERVICE ACCESS**
- **LEAD TO INCREASED SERVICE EXPENSES FOR THE OWNER**

A. Requirements

CAUTION

- A mechanically driven ventilation system is REQUIRED for gas oven installations.
- A mechanically driven ventilation system is STRONGLY RECOMMENDED for electric oven installations.

PROPER VENTILATION OF THE OVEN IS THE RESPONSIBILITY OF THE OWNER.

B. Recommendations

NOTE THAT THE HOOD DIMENSIONS SHOWN IN FIGURE 2-2 ARE RECOMMENDATIONS ONLY. LOCAL AND NATIONAL CODES MUST BE FOLLOWED WHEN INSTALLING THE VENTILATION SYSTEM. ANY APPLICABLE LOCAL AND NATIONAL CODES SUPERSEDE THE RECOMMENDATIONS SHOWN IN THIS MANUAL.

The rate of air flow exhausted through the ventilation system may vary depending on the oven configuration and hood design. Consult the hood manufacturer or ventilation engineer for these specifications.

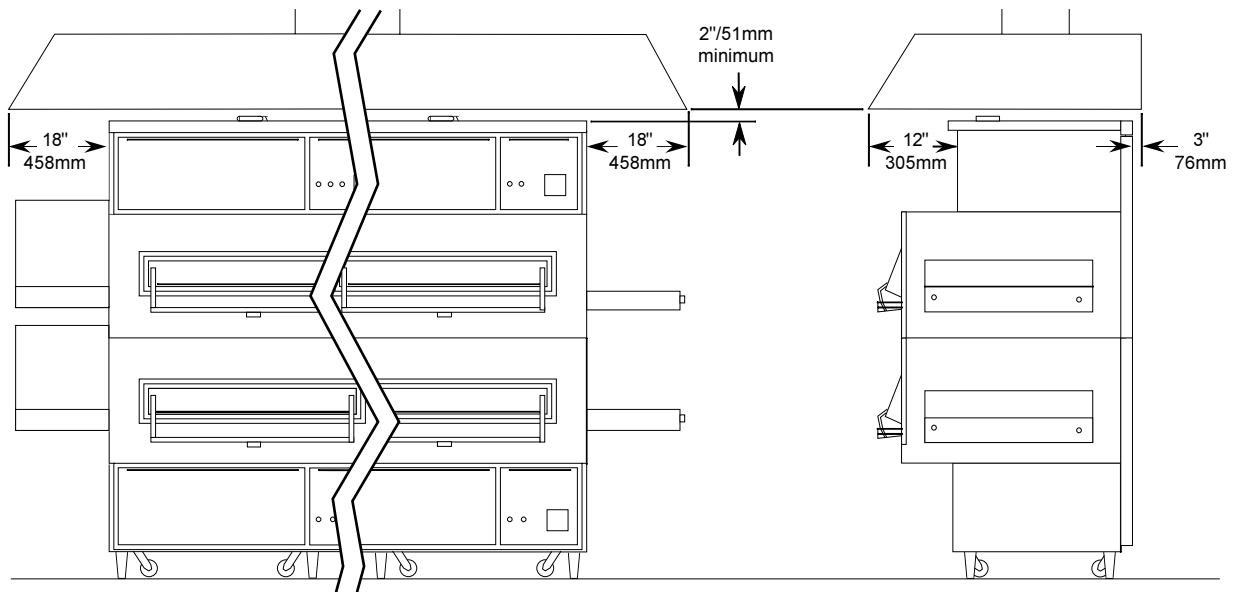
To avoid a negative pressure condition in the kitchen area, return air must be brought back to replenish the air that was exhausted. A negative pressure in the kitchen can cause heat-related problems to the oven components as if there were no ventilation at all. The best method of supplying return air is through the heating, ventilation and air conditioning (HVAC) system. Through the HVAC system, the air can be temperature-controlled for summer and winter. Return air can also be brought in directly from outside the building, but detrimental effects can result from extreme seasonal hot and cold temperatures from the outdoors.

NOTE: Return air from the mechanically driven system must not blow at the opening of the baking chamber. Poor oven baking performance will result.

C. Other ventilation concerns

- Special locations, conditions, or problems may require the services of a ventilation engineer or specialist.
- Inadequate ventilation can inhibit oven performance.
- It is recommended that the ventilation system and duct work be checked at prevailing intervals as specified by the hood manufacturer and/or HVAC engineer or specialist.

Fig. 2-2 - Ventilation System



III. ASSEMBLY

A. Stacking

If the installation will include upper ovens mounted atop lower ovens:

1. Remove the casters (pre-attached to each oven cavity) from the upper ovens.
2. Stack the oven cavities. If necessary, refer to the [Installation Manual for Model PS310/360 Ovens](#) (Middleby P/N 88210-0025).

B. Stands

If the installation includes ovens that are to be mounted on stands:

- Remove the casters (pre-attached to each oven cavity) and install them on the stands as shown in Figure 2-3.
- Assemble the ovens to the stands. An exploded view of the stand is shown in Figure 2-3.

C. Flue Vent(s)

For gas ovens, attach one flue vent to the rear wall of each oven cavity. Use one #10-16 x 3/8" and two #10-32 x 3/4" screws for each flue vent. These screws are provided in the Installation Kit.

IV. THERMOCOUPLE INSTALLATION

1. Install one thermocouple sensing bulb into each of the two holes in the rear panel of the oven, as shown in Figure 2-4. Fasten each thermocouple in place using one of the #10-32 x 3/8" screws supplied in the Installation Kit.
2. Thread BOTH sets of thermocouple leads through the grommet and into the machinery compartment, as shown in Figure 2-4.
3. Remove the right-side access panel of the machinery compartment.
4. Thread the thermocouple leads through the side of the machinery compartment as shown in Figure 2-5, and into the electrical box (at the right-front of the machinery compartment).
5. Connect BOTH sets of thermocouple leads to the temperature controller as shown in Figure 2-6. Note that the two thermocouples are now tied together at the temperature controller.
6. Replace the right-side panel of the machinery compartment.
7. Repeat Steps 1-6 for any other oven cavities in the installation.

Figure 2-3 - Exploded View, Oven Stand

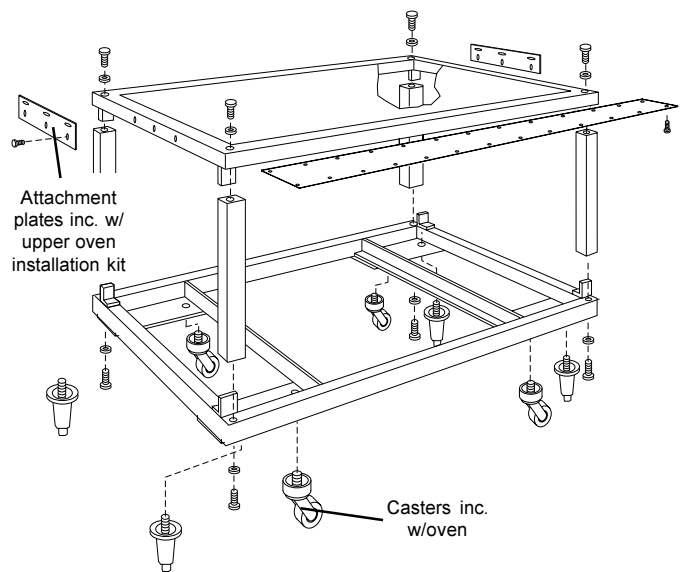


Figure 2-4 - Thermocouple Installation Locations

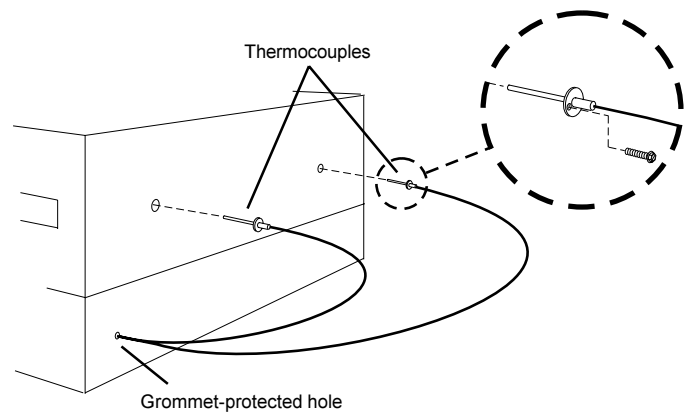


Figure 2-5 - Placing the Thermocouple Leads

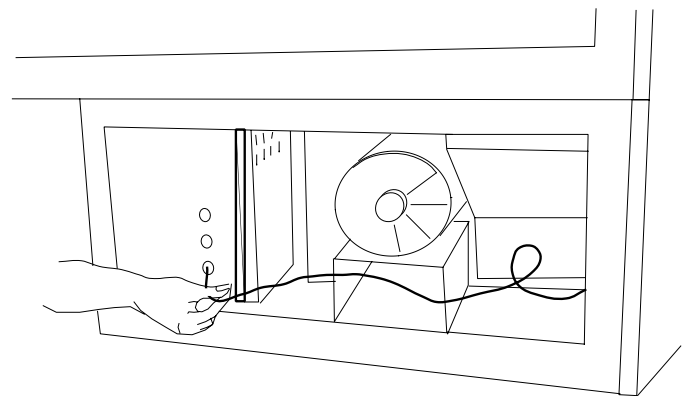
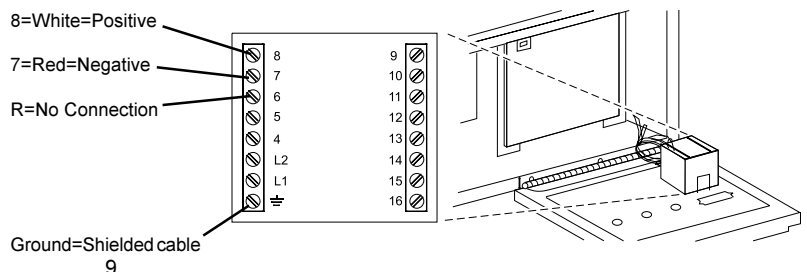


Figure 2-6 - Thermocouple Lead Connections



V. TANDEM OVEN ASSEMBLY

NOTE

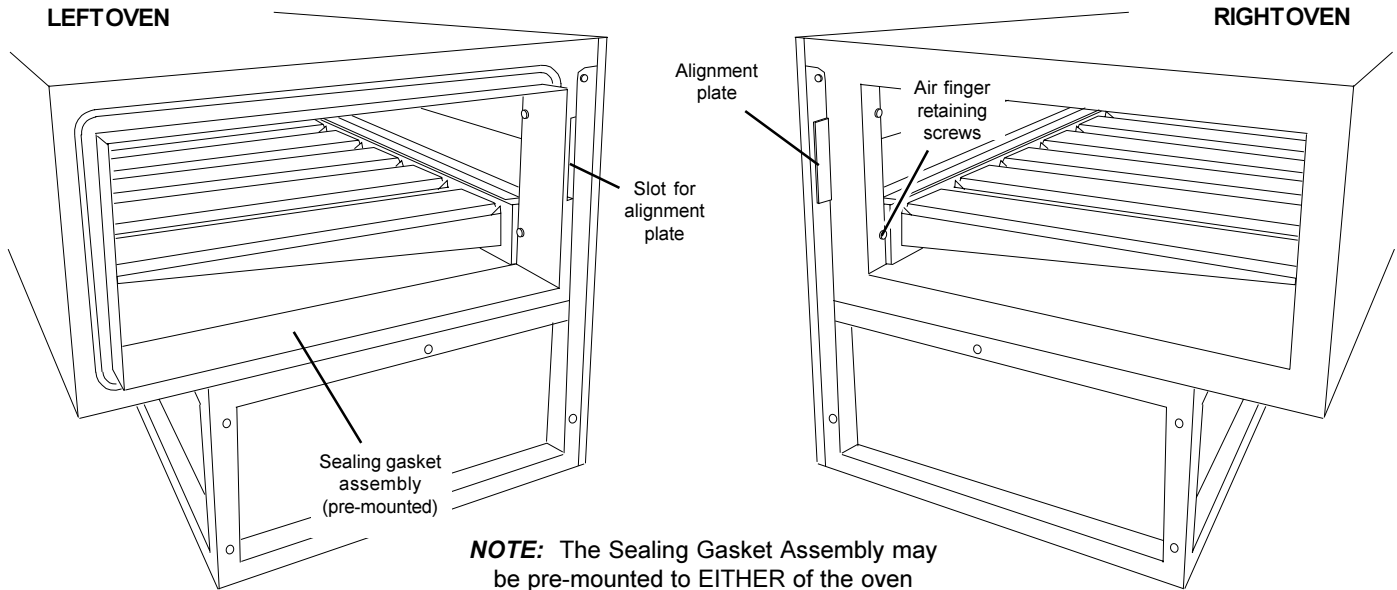
For non-tandem oven installations, skip ahead to Section VI, Conveyor Installation.

1. Determine the proper position of the ovens by referring to Figure 2-7. Then, move the ovens to their approximate final locations.

2. Check that the top and bottom air finger retaining screws are present *on all mating ends* of the oven sections. See Figure 2-7. The screws prevent the air fingers from sliding in between the oven sections.

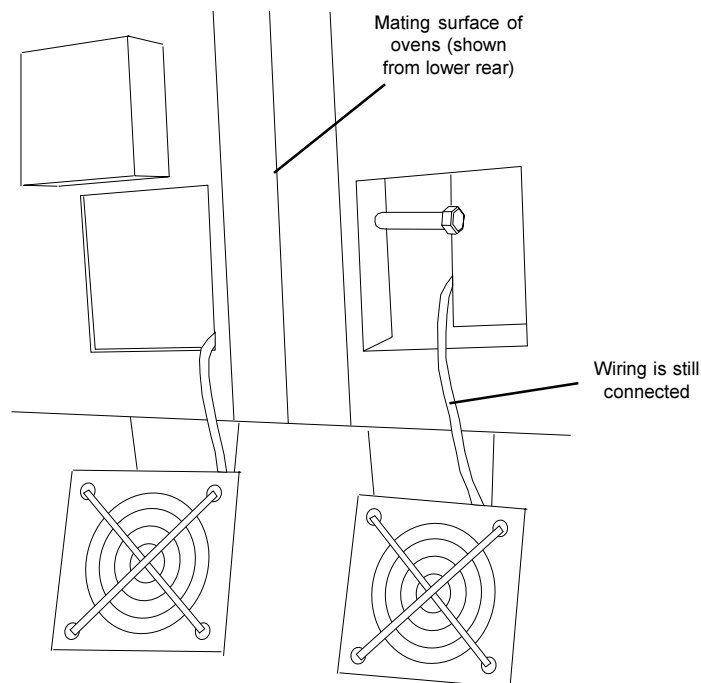
3. Remove the rear axial cooling fans that are adjacent to the mating sides of the ovens. The fans may either be completely disconnected, or left attached by their wiring as shown in Figure 2-8.

Figure 2-7
Oven Positioning and Alignment



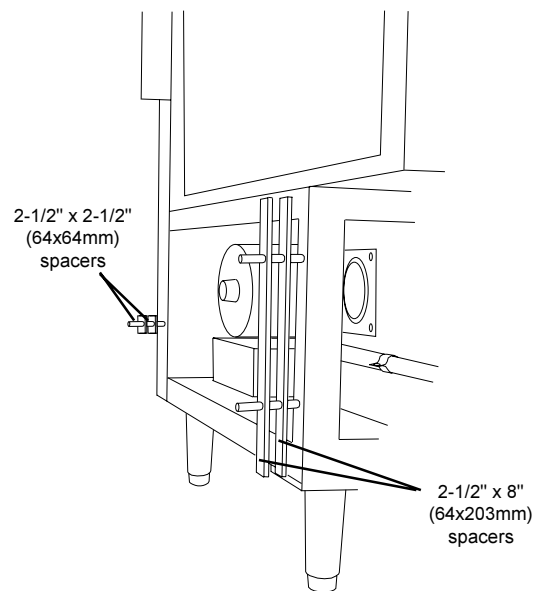
NOTE: The Sealing Gasket Assembly may be pre-mounted to EITHER of the oven cavities.

Figure 2-8 - Cooling Fan Removal



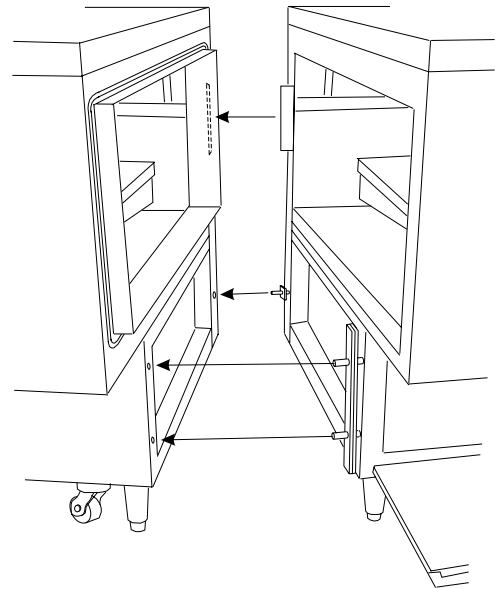
- Insert three of the supplied 1/2 x 5" bolts through the holes in the frame of the right oven, pointing outward as shown in Figure 2-9. Then, slide the spacers into place on the bolts.

Figure 2-9 - Bolts and Spacers



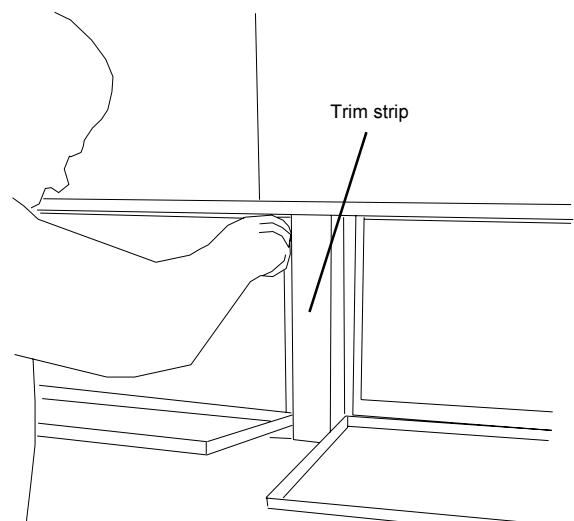
- Push the ovens together. Check that the mounting bolts, alignment plate, and sealing gasket are all properly aligned. See Figure 2-10.
- Tighten all of the attaching bolts. Check that the mating edges of the ovens align properly. If gaps appear between the tops of the ovens, it will be necessary to loosen the connecting bolts and realign the ovens.

Figure 2-10 - Aligning the Sections



- Attach the front trim strip between the two ovens, as shown in Figure 2-11.
- Replace the rear axial cooling fans. See Figure 2-8.

Figure 2-11 - Trim Strip Installation



VI. CONVEYOR INSTALLATION

Refer to either Step A or Step B in this section, as appropriate, to install the conveyor and belt.

A. Installing the Conveyor - All ovens EXCEPT Tandem models

NOTE

Split belt conveyors can only be installed from the end of the oven with the drive motor.

Single-belt conveyor assemblies may be inserted into either end of the oven. If it is to be installed from the end of the oven without the drive motor, the drive sprocket assembly must be removed.

To remove the drive sprocket (if necessary), loosen the set screw on the conveyor collar as shown in Figure 2-12. Then, pull the sprocket assembly straight out.

1. Lift the conveyor and position it in the oven as shown in Figure 2-13.

Figure 2-12 - Removing the Conveyor Drive Sprocket

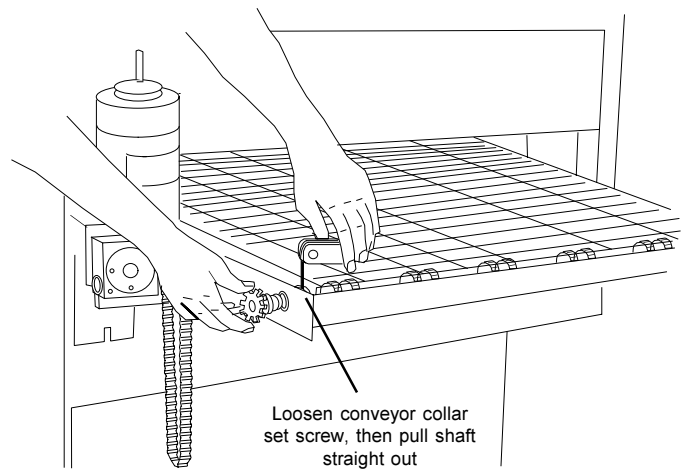
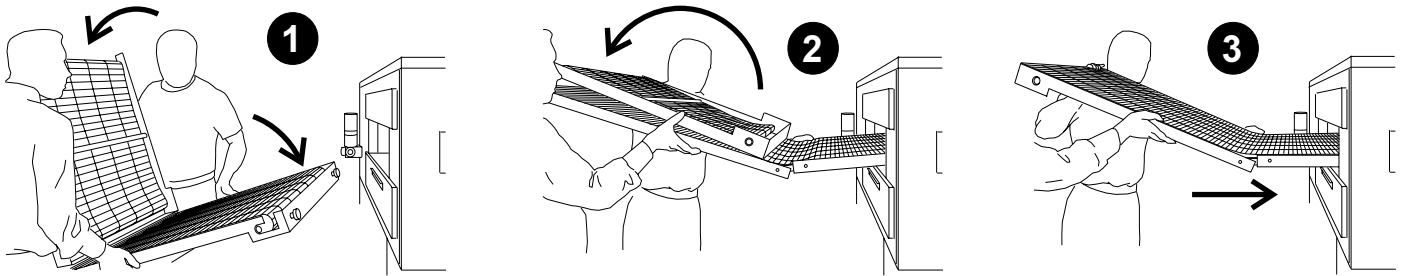


Figure 2-13 - Inserting the Conveyor



2. Continue moving the conveyor into the oven until the frame protrudes equally from each end of the oven (about 18"/457mm).
3. Check that the retainers located on the underside of the conveyor frame rest firmly against the lower end plug, as shown in Figure 2-14.

NOTE:

PS360EWB ovens have a retainer bracket that extends the full width of the conveyor frame on both ends of the frame. All other ovens have retainer clips as shown in Figure 2-14, located on the drive (left) side of the frame only.

4. When the conveyor is positioned properly, check for freedom of movement of the conveyor belt by pulling it for about 2-3 feet (60 to 90 cm) with your fingers. The conveyor must move freely.
5. If the drive sprocket was removed when installing the conveyor, replace it at this time.
6. Install the drive chain between the conveyor drive sprocket and the motor sprocket. To install the chain, it will be necessary to lift the drive end of the conveyor slightly. The drive motor and sprocket are shown in Figure 2-12.
7. Install the conveyor drive motor cover and tighten its hanger screw (on the rear wall of the oven).
8. Check the tension of the conveyor belt as shown in Figure 2-15. The belt should lift between 3-4" (75-100mm). **DO NOT OVERTIGHTEN THE CONVEYOR BELT.**

NOTE:

If necessary, the belt tension can be adjusted by turning the conveyor adjustment screws, located at the idler (right) end of the conveyor. See Figure 2-15.

Figure 2-14 - Conveyor retainers

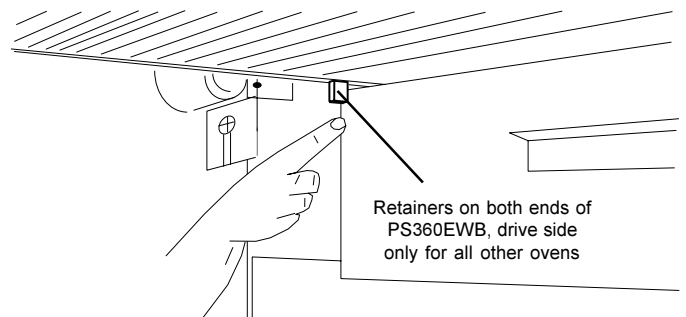
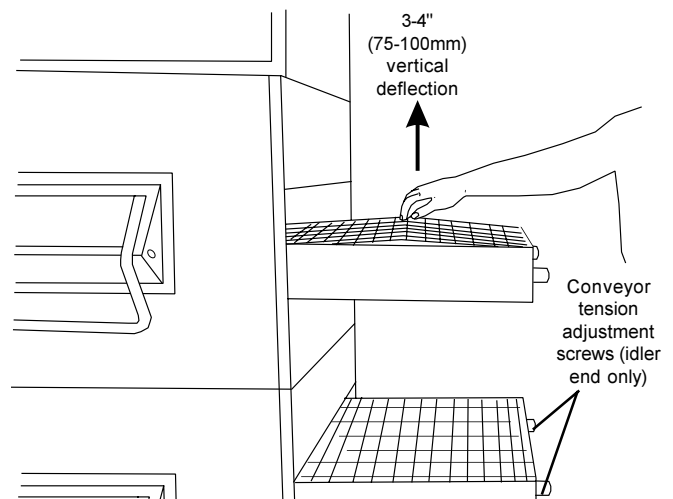


Figure 2-15 - Checking the conveyor tension



B. Installing the Conveyor and Belt - Tandem oven models**NOTE**

For non-tandem oven installations, skip ahead to Section VII, Final Assembly.

1. Insert the conveyor frame into the oven as follows:
Slide one hinged conveyor frame section into each end of the oven. The two sections butt against each other at the gap between the two oven sections. See Figure 2-17.

IMPORTANT

Be sure that the drive section of the conveyor frame is at the same end of the oven as the conveyor drive motor.

2. Slide the conveyor belt through the support rods underneath the frame, and thread it through the oven. Then, reach through the oven window and pull the free end of the belt through the oven so that it lies atop the conveyor frame.

After the belt has been pulled through the oven, check the following:

- The conveyor belt links must be oriented as shown in Figure 2-18.
 - The smooth side of the conveyor belt must face UP.
3. Connect the inside master links. Check that the links are oriented as shown in Figure 2-18.
 4. Connect the outside master links. Note that the outside master links have right and left sides. The right-side master link has an open hook facing you, as shown in Figure 2-19.
 5. Check for freedom of movement of the conveyor belt by pulling it for about 2-3 feet (60 to 90 cm) with your fingers. The conveyor must move freely.
 6. Check the tension of the conveyor belt as shown in Figure 2-15 (on the previous page). The belt should lift between 3-4" (75-100mm). **DO NOT OVERTIGHTEN THE CONVEYOR BELT.** If necessary, the belt tension can be adjusted by turning the conveyor adjustment screws, located at the idler (right) end of the conveyor.
 7. **LOOSELY** attach the conveyor drive motor to the end wall of the oven. Refer to Figure 2-12 (for ovens with standard conveyor frames) or Figure 2-20 (for ovens with heavy-duty conveyor frames).
 8. Assemble the conveyor drive chain in place on the motor and conveyor drive sprockets.
 9. Position the motor to adjust the deflection of the drive chain to 3/4" (19mm). **DO NOT OVERTIGHTEN THE DRIVE CHAIN.** Then, tighten the bolts to hold the motor in place.

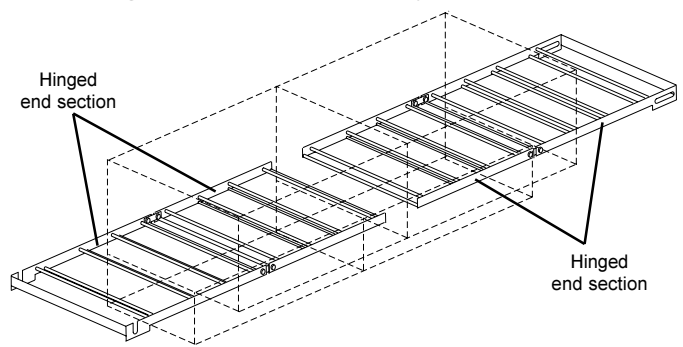
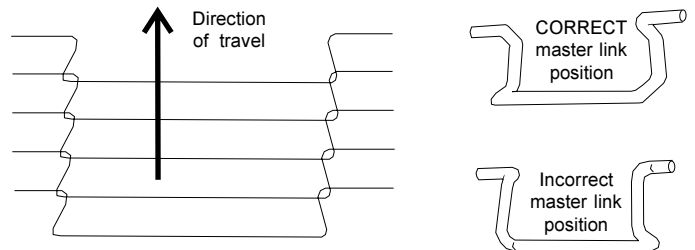
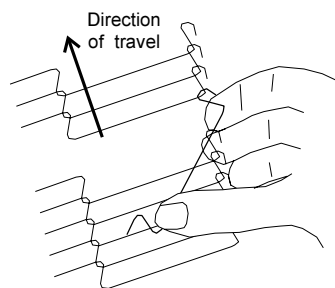
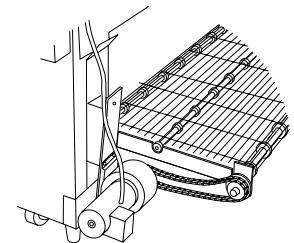
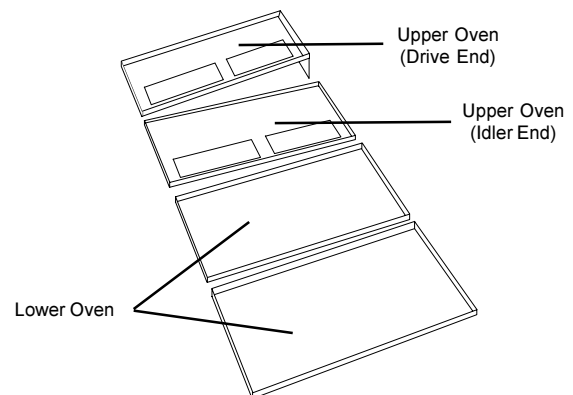
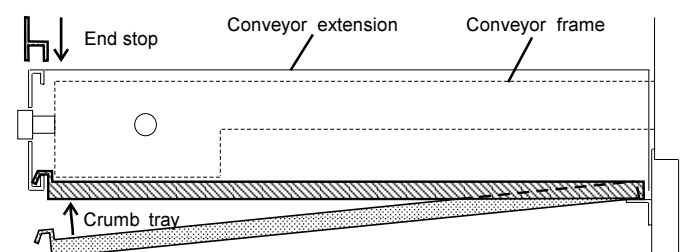
VII. FINAL ASSEMBLY

1. Assemble the end plugs and motor housing onto the oven. These components are shown in Figure 1-1 (on Page 1).
2. Slide the conveyor extensions over the ends of the conveyor frame. Be sure that the extension with the drive sprocket opening is placed on the drive end.

NOTE

The PS360EWB oven does not use conveyor extensions.

3. Refer to Figure 2-21 for the correct location of each crumb tray. Then, install the crumb trays underneath the conveyor as shown in Figure 2-22. First, place the inside edge of the tray onto the bracket attached to the end plug. Then, swing the outside edge of the tray up and into place.
4. Press the end stop down over the edge of the conveyor extension at the exit end of the oven. See Figure 2-22.
5. After the oven is moved to its final location, adjust the bottom section of the legs so that the oven is level and the casters do not touch the floor.

Figure 2-17 - Tandem Conveyor Installation**Figure 2-18 - Conveyor and Inside Master Link Orientation****Figure 2-19 - Outside Master Link Orientation****Figure 2-20 - Drive Motor for Tandem Oven Heavy-Duty Conveyor Frame****Figure 2-21 - Crumb tray positions****Figure 2-22 - Crumb trays, extensions, and end stop**

VIII. ELECTRICAL SUPPLY (all ovens)

**WARNING**

Authorized supplier personnel normally accomplish the connections for the ventilation system, electric supply, and gas supply, as arranged by the customer. Following these connections, the factory-authorized installer can perform the initial startup of the oven.

NOTE: The electric supply installation must satisfy the requirements of the appropriate statutory authority, such as the National Electrical Code (NEC), ANSI/NFPA70, (U.S.A.); the Canadian Electrical Code, CSA C22.2; the Australian Code AG601; or other applicable regulations.

NOTE: The electric supply connection must meet all national and local electrical code requirements.

Check the oven serial plate before making any electric supply connections. Electric supply connections must agree with data on the oven serial plate. The location of the serial plate is shown in Figure 2-23.

A fused disconnect switch or a main circuit breaker (customer furnished) **MUST** be installed in the electric supply line for each oven cavity. It is recommended that this switch/circuit breaker have lockout/tagout capability.

The supply conductors must be of the size and material (copper) recommended. Refer to the wiring diagram inside the machinery compartment or control compartment of the oven. Electrical specifications are also listed on the oven's serial plate (Figure 2-23) and in the [Electrical Specifications](#) table (on Page 5).

The oven requires a ground connection to the oven ground screw located in the electrical junction box. (The box is shown in Figure 2-24.) If necessary, have the electrician supply the ground wire. **Do NOT use the wiring conduit or other piping for ground connections!**

Figure 2-23 - Oven Serial Plate

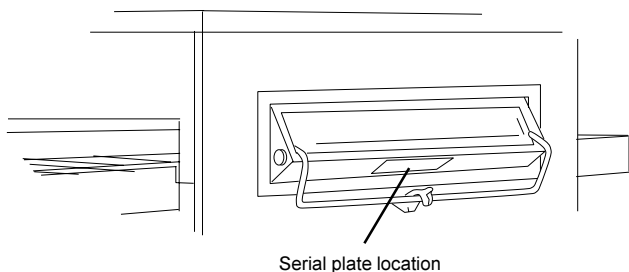
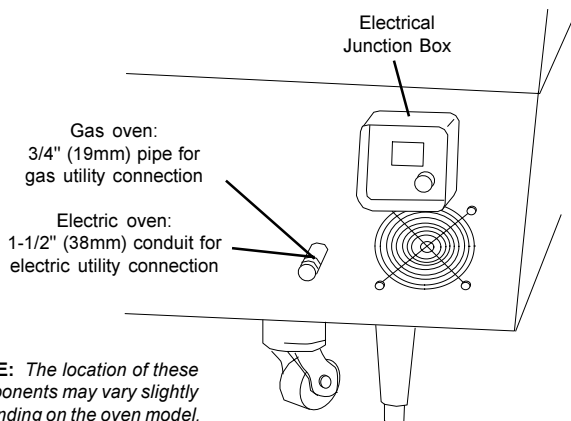


Figure 2-24 - Utility Connection Locations



NOTE: The location of these components may vary slightly depending on the oven model.

CAUTION

Before connecting incoming power to the oven, measure the voltage of each input leg to neutral. The expected voltage is approximately 120V. ANY voltage reading exceeding 130V indicates that the supply has a "high" leg. **CONNECTING A "HIGH" LEG TO THE OVEN VOIDS ALL OVEN WARRANTIES.** Connecting a "high" leg to the black lead of the oven can severely damage the oven's electrical and electronic components.

CAUTION

**DO NOT CONNECT BLACK WIRE TO HIGH LEG.
VOLTAGE OF THE BLACK AND WHITE WIRES MUST
BE NO HIGHER THAN 130 VAC.**

A. Additional Information - Electric Ovens

For electric ovens, a 1-1/4" (32mm) dia. cutout in the back wall of the machinery compartment provides access for the electrical supply connections. Using flexible cables for the electric power supply conductors requires a 1-1/4" (32mm) strain-relief fitting (not furnished with the oven) to enable safe access to the terminal block from which power is distributed to the oven.

B. Additional Information - Gas Ovens

All gas oven electric supply connections are made via the electrical junction box on the rear of the oven, shown in Figure 2-24. The power lines then connect to the oven circuits through the Machinery Compartment Access Panel Safety Switch. This switch interrupts electric power to the oven when the Machinery Compartment Access Panel is opened.

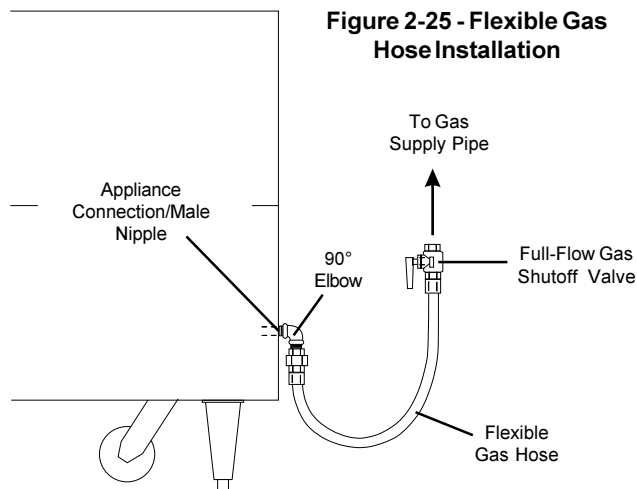
C. Additional Information - Ovens with External Transformers (export versions)

Position the transformer on the rear wall of the oven, on the same side as the control compartment, as space permits. Fasten it in place using the supplied mounting hardware.

D. Connection

Refer to the wiring diagram inside the machinery compartment or control compartment of the oven to determine the correct connections for the electrical supply lines. Connect the supply as indicated on the wiring diagram. Be sure to connect the electrical supply ground wire to the oven ground screw located in the junction box on the rear of the oven.

Figure 2-25 - Flexible Gas Hose Installation



IX. GAS SUPPLY (gas ovens only)

CAUTION

DURING PRESSURE TESTING NOTE ONE OF THE FOLLOWING:

1. The oven and its individual shutoff valve must be disconnected from the gas supply piping system during any pressure testing of that system at test pressure in excess of 1/2 psi (3.45 kPa).
2. The oven must be isolated from the gas supply piping system by closing its individual manual shutoff valve during any pressure testing of the gas supply piping system at test pressure equal to or less than 1/2 psi (3.45 kPa).

3. If incoming pressure is over 14" W.C. (35mbar), a separate regulator **MUST** be installed in the line **BEFORE** the individual shutoff valve for the oven.

WARNING: To prevent damage to the control valve regulator during initial turn-on of gas, it is very important to open the manual shutoff valve very slowly.

After the initial gas turn-on, the manual shutoff valve must remain open except during pressure testing as outlined in the above steps or when necessary during service maintenance.

A. Gas Utility Rough-In Recommendations

The following gas system specifications are **STRONGLY RECOMMENDED**. Deviating from these recommendations may affect the baking performance of the oven.

Gas Meter

- One or two oven cavities: 750 cfh meter
- Three or four oven cavities: 1200 cfh meter

Gas Line

- DEDICATED LINE from the gas meter to the oven
- 2" (50.8mm) pipe for natural gas
- 1-1/2" (38.1mm) pipe for propane
- Maximum length: 200' (61m). Each 90° elbow equals 7' (2.13m) of pipe.

B. Connection

Check the oven's gas supply requirements before making the gas utility connection. Gas supply requirements are listed on the oven's serial plate (Figure 2-23) and in the Gas Orifice and Pressure Specifications table (Page 5 of this manual).

Check the serial plate to determine the type of gas (Propane or Natural) to be used with the oven.

Refer to the instructions in the gas hose package (included in the Installation Kit) before connecting the gas line. One gas line connection method is shown in Figure 2-25; however, compliance with the applicable standards and regulations is mandatory.

Inlet, regulated, and pilot gas pressure readings can be taken using a "U" tube manometer at the tap locations shown in Figure 2-26.

NOTE

The installation must conform with local codes or in the absence of local codes, with the National Fuel Gas Code, ANSI Z223.1-latest edition.

In Australia, the installation must conform with AGA Code AG601 and with any requirements of the appropriate statutory authority.

CANADIAN:

CAN/CGA-B 149.1 Natural Gas Installation Code

CAN/CGA-B 149.2 Propane Installation Code

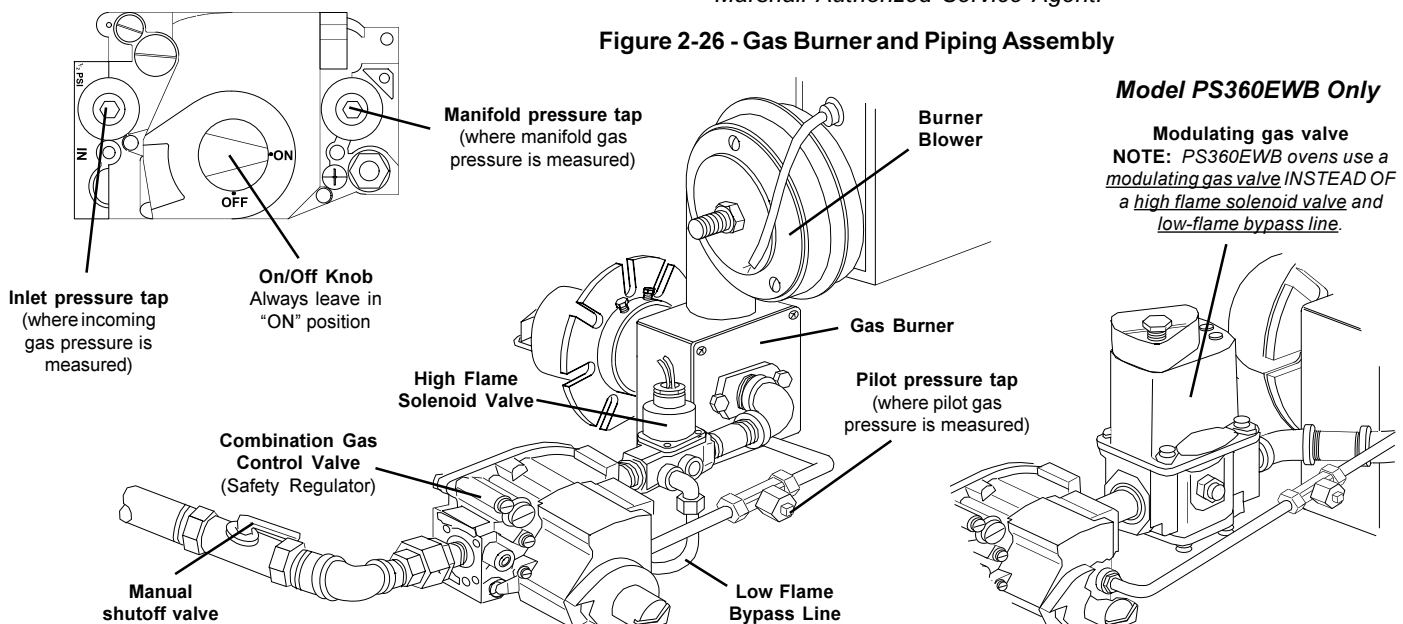
Certain safety code requirements exist for the installation of gas ovens; refer to the beginning of Section 2 for a list of the installation standards. In addition, because the oven is equipped with casters, the gas line connection shall be made with a connector that complies with the Standard for Connectors for Movable Gas Appliances, ANSI Z21.69 (in U.S.A.), or, if applicable, Connectors for Movable Gas Appliances, CAN/CGA-6.16 (in Canada), as well as a quick-disconnect device that complies with the Standard for Quick-Disconnect Devices for Use With Gas Fuel, ANSI Z21.41 (in U.S.A.), or, if applicable, Quick-Disconnect Devices for Use With Gas Fuel, CAN1-6.9 (in Canada).

C. Gas Conversion

Where permitted by local and national codes, it is possible to convert ovens from natural to propane gas, or from propane to natural gas. Use the appropriate Middleby Marshall Gas Conversion Kit for the specific oven model.

**WARNING**

The terms of the oven's warranty require all start-ups, conversions and service work to be performed by a Middleby Marshall Authorized Service Agent.



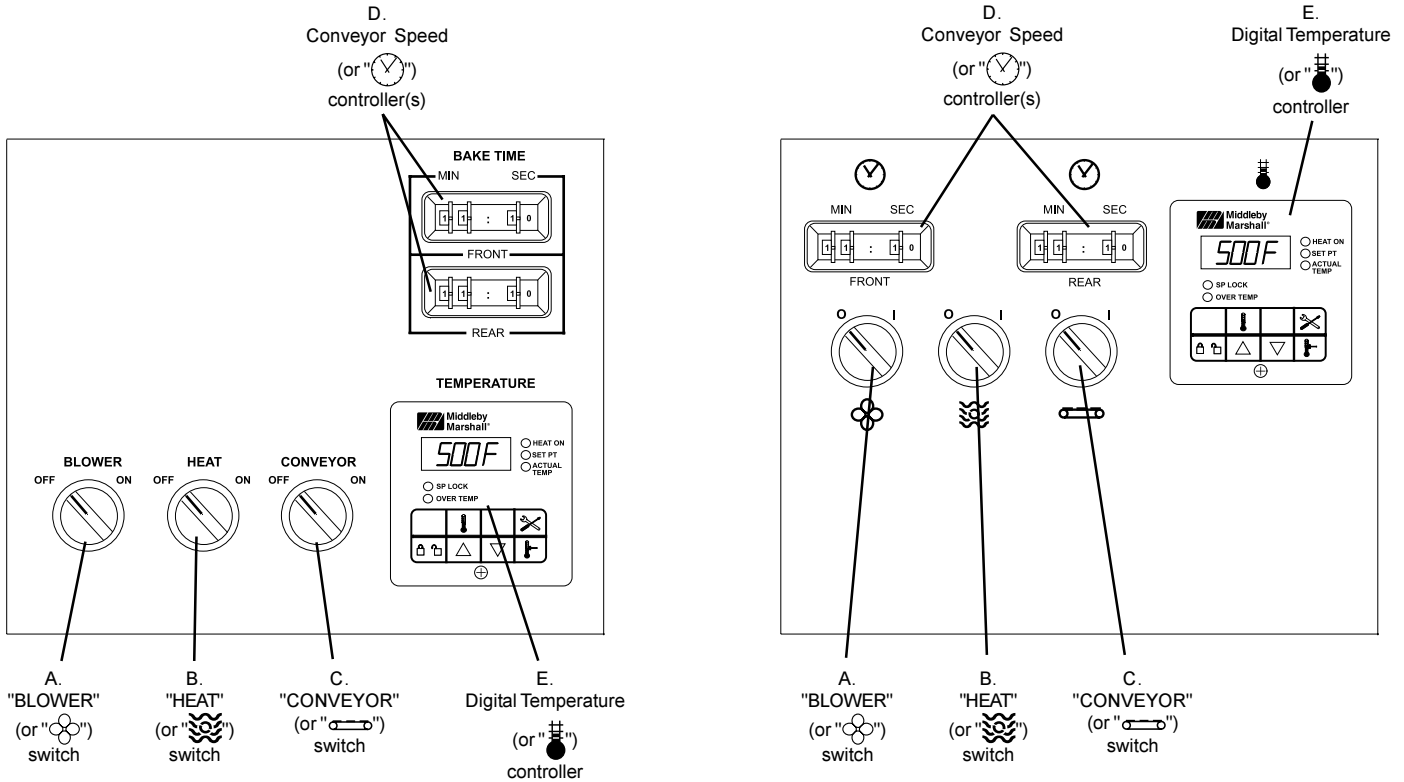
SECTION 3 - OPERATION

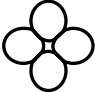


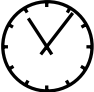

I. LOCATION AND DESCRIPTION OF CONTROLS

Fig. 3-1 - Control Panel

All ovens except PS360EWB and PS360WB70

PS360EWB and PS360WB70 only



- A.  **"BLOWER" Switch:** Turns the blowers and cooling fans on and off. The HEAT Switch has no effect unless the BLOWER Switch is in the "ON" position.
- B.  **"HEAT" Switch:** Allows the gas burner to light. Activation of the gas burner is determined by the settings on the Digital Temperature Controller.
- C.  **"CONVEYOR" Switch:** Turns the conveyor drive motor on and off. For tandem and double tandem ovens, this switch is present only on the left oven section(s).
- D.  **Conveyor Speed Controller:** Adjusts and displays the bake time. Single-belt ovens have one controller. Split belt ovens have one controller for each conveyor belt, labeled "FRONT" and "BACK." For tandem and double tandem ovens, this control is present only on the left oven section(s).
- E.  **Digital Temperature Controller:** Continuously monitors the oven temperature. Settings on the Digital Temperature Controller control the activation of the gas burner.


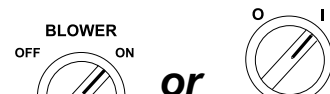
NOT SHOWN:

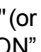
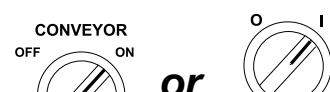
- F. **Machinery Compartment Access Panel Safety Switch:** Disconnects electrical power to the controls and the blowers when the machinery compartment access panel is opened. The panel should only be opened by authorized service personnel.

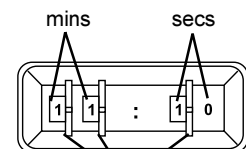
II. NORMAL OPERATION - STEP-BY-STEP

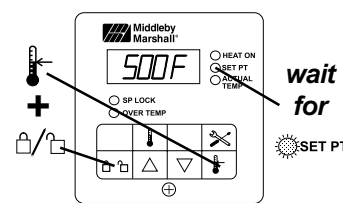
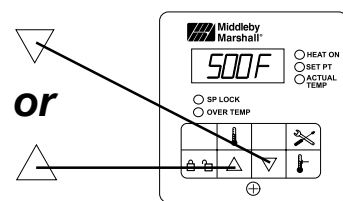
A. DAILY STARTUP PROCEDURE


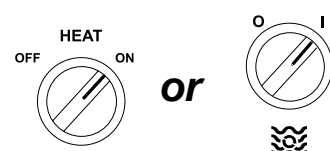
1. Check that the circuit breaker/fused disconnect is in the on position. If the oven is equipped with a window, check that the window is closed.

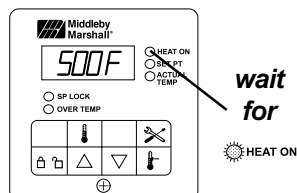
2. Turn the "BLOWER" (or ) switch to the "ON" (or "I") position.
 

3. Turn the "CONVEYOR" (or ) switch to the "ON" (or "I") position.
 


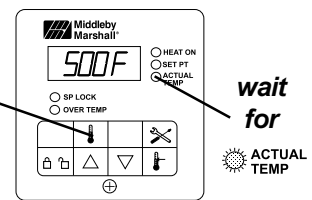
4. If necessary, adjust the conveyor speed setting by turning the three thumbwheels to change the displayed bake time.
 

5. Adjust the temperature controller to a desired set temperature, if necessary.
 - Press the Set Point and Unlock keys at the same time. Wait for the "SET PT" light to turn on.
 
 - Press the Up Arrow and Down Arrow Keys as necessary to adjust the set-point.
 

6. Turn the "HEAT" (or ) switch to the "ON" (or "I") position, and wait for the "HEAT ON" light to turn on.
 

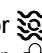
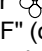
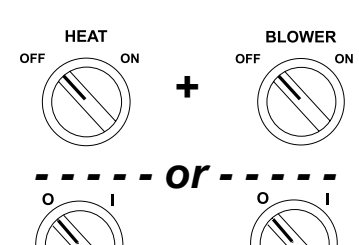


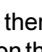
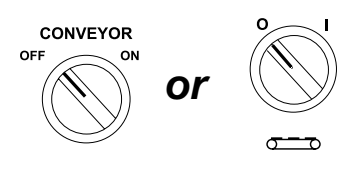
7. Wait for the oven to heat to the setpoint temperature. Higher setpoint temperatures will require a longer wait. The oven can reach a temperature of 500°F (232°C) in approximately 5 minutes.

8. (Optional) Press the Temperature () key to show the Actual Temperature in the display, and wait for the "ACTUAL TEMP" light to turn on. This allows you to monitor the oven temperature as it rises to the setpoint.
 

9. Allow the oven to preheat for 10 minutes after it has reached the set point temperature.

B. DAILY SHUTDOWN PROCEDURE

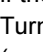
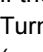
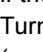
1. Turn the "HEAT" (or ) and "BLOWER" (or ) switches to the "OFF" (or "O") position. Note that the blowers will remain in operation until the oven has cooled to below 200°F (93°C).
 

2. Make certain that there are no products left on the conveyor inside the oven. Turn the "CONVEYOR" (or ) switch to the "OFF" (or "O") position.
 

3. If the oven is equipped with a window, open the window to allow the oven to cool faster.

4. After the oven has cooled and the blowers have turned off, switch the circuit breaker/fused disconnect to the off position.

IMPORTANT

On gas ovens, if the "HEAT ON" light will not illuminate, OR if the oven does not heat, the gas burner may not have lit. Turn the "HEAT" () , "BLOWER" () , and "CONVEYOR" () switches to the "OFF" ("O") position. Wait for AT LEAST FIVE MINUTES before restarting the oven. Then, repeat the Daily Startup procedure.

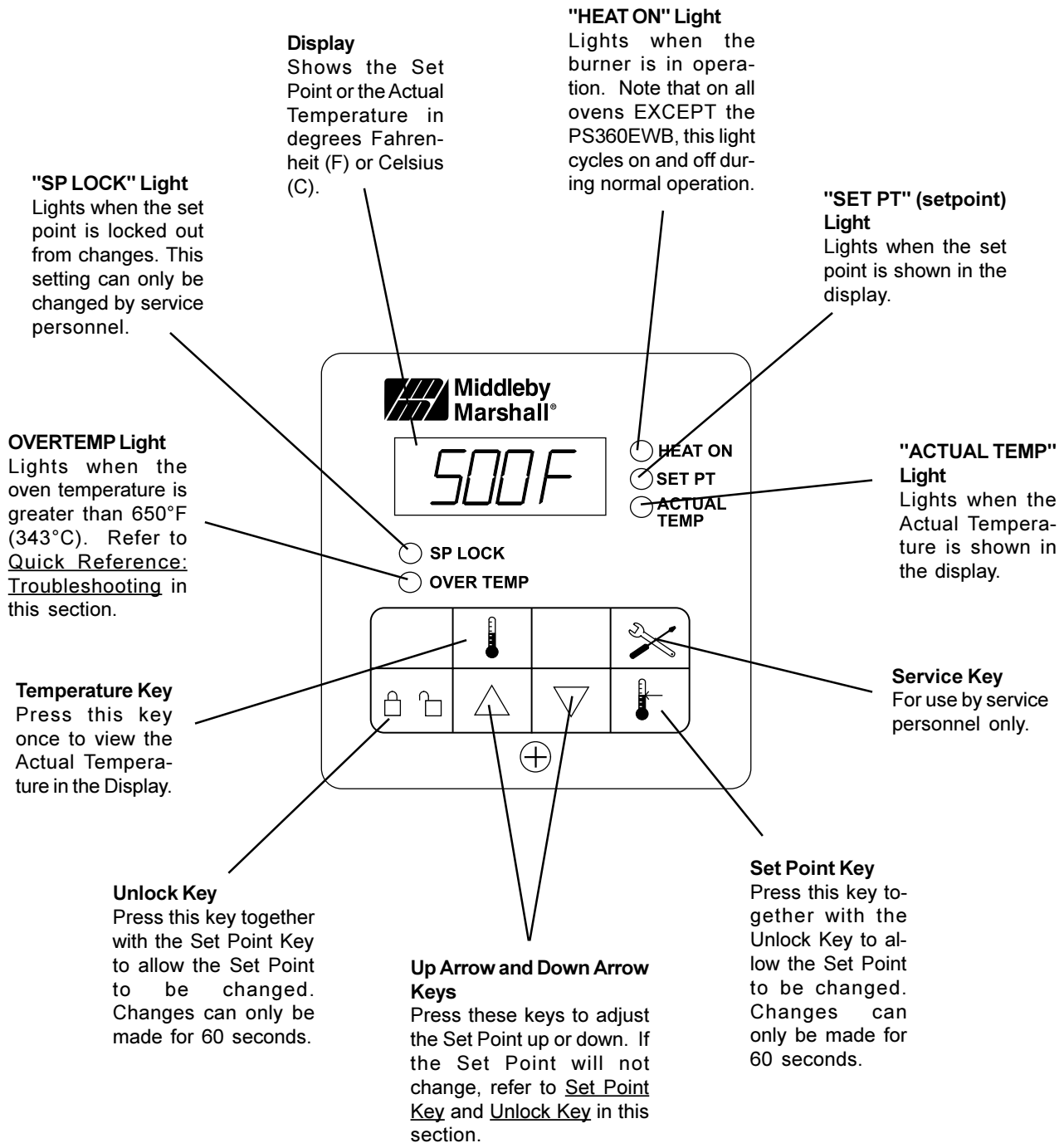
CAUTION

In case of power failure, turn all switches to the "OFF" (or "O") position, open the oven window, and remove the product. After the power has been restored, perform the normal startup procedure.

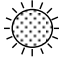



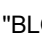



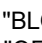
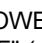

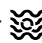

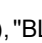

The burner will not operate and gas will not flow through the burner without electric power. No attempt should be made to operate the oven during a power failure.

III. QUICK REFERENCE: DIGITAL TEMPERATURE CONTROLLER

ENGLISH



V. QUICK REFERENCE: TROUBLESHOOTING

SYMPTOM	PROBLEM	SOLUTION
 OVERTEMP <i>light is lit, food product is undercooked</i> <i>Oven will not turn on at all</i>	<p>The oven temperature exceeded 650°F (343°C), and the burner was automatically shut down.</p> <p>Electrical power may not be reaching the oven, or the controls may be set incorrectly.</p>	<ul style="list-style-type: none"> Follow the procedures under Daily Shutdown Procedures in this section to shut down the oven. Contact your Middleby Marshall Authorized Service Agent to determine and correct the cause of the condition to prevent damage to the oven. Check that the circuit breaker/fused disconnect is turned on. Check that the "BLOWER" (or ) Switch is in the "ON" (or "I") position. The burner cannot engage until the blowers are in operation.
<i>Oven shuts down shortly after it is turned on</i>	<p>The gas burner did not light within 90 seconds of turning the "HEAT" (or ) Switch to the "ON" (or "I") position. This automatically engages a safety lockout mode.</p>	<ul style="list-style-type: none"> Turn the "HEAT" (or ), "BLOWER" (or ), and "CONVEYOR" (or ) switches to the "OFF" (or "O") position. Wait for AT LEAST FIVE MINUTES before restarting the oven. Repeat the Daily Startup procedure.
 <i>appears in display, oven is not heating</i>	<p>The oven did not reach 200°F (93°C) within 15 minutes of startup, and the oven has stopped heating.</p>	<ul style="list-style-type: none"> Turn the "HEAT" (or ), "BLOWER" (or ), and "CONVEYOR" (or ) switches to the "OFF" (or "O") position. Wait for AT LEAST FIVE MINUTES before restarting the oven. Repeat the Daily Startup procedure.
<i>Oven will not heat</i>	<p>Controls may be set incorrectly.</p>	<ul style="list-style-type: none"> Check that the Set Point is correctly set. Check that both the "BLOWER" (or ) and "HEAT" (or ) Switches are in the "ON" (or "I") position. If the oven still will not heat, turn the "HEAT" (or ), "BLOWER" (or ), and "CONVEYOR" (or ) switches to the "OFF" (or "O") position. Wait for AT LEAST FIVE MINUTES before restarting the oven. Repeat the Daily Startup procedure. Check that the Set Point is above 200°F (93°C).
<i>Oven is operating, but little or no air is blowing from air fingers</i>	<p>Air fingers may have been reassembled incorrectly after cleaning.</p>	<ul style="list-style-type: none"> Turn the oven off, and allow it to cool. Disconnect electrical power to the oven. Refer to Section 4, Maintenance, for instructions on reassembling the air fingers.
<i>Conveyor moves with a jerky motion, or will not move at all</i>	<p>Conveyor may be jammed on an object in the oven, or conveyor belt or drive chain tension may be incorrect.</p>	<ul style="list-style-type: none"> Turn the oven off, and allow it to cool. Disconnect electrical power to the oven. Check if the conveyor is blocked by an object inside the oven. Refer to Section 4, Maintenance, for instructions on checking the conveyor and drive chain tension.
<i>Food products are overcooked or undercooked.</i>	<p>Controls may be set incorrectly.</p>	<ul style="list-style-type: none"> Check that the set temperature and bake time settings are correct.

IF THESE STEPS FAIL TO RESOLVE THE PROBLEM, CONTACT YOUR LOCAL MIDDLEBY MARSHALL AUTHORIZED SERVICE AGENT. A SERVICE AGENCY DIRECTORY IS SUPPLIED WITH YOUR OVEN.

SECTION 4 - MAINTENANCE

WARNING

Before ANY cleaning or servicing of the oven, perform the following procedure:

1. Switch off the oven and allow it to cool. Do NOT service the oven while it is warm.
2. Turn off the electric supply circuit breaker(s) and disconnect the electric supply to the oven.
3. If it is necessary to move the oven for cleaning or servicing, disconnect the gas supply connection before moving the oven.

When all cleaning and servicing is complete:

1. If the oven was moved for servicing, return the oven to its original location. Adjust the legs so that they are seated properly on the floor.
2. Reconnect the gas supply.
3. Reconnect the electrical supply.
4. Turn on the full-flow gas safety valve. Test the gas line connections for leaks using approved leak test substances or thick soap suds.
5. Turn on the electric supply circuit breaker(s).
6. Perform the normal startup procedure.

WARNING

Possibility of injury from moving parts and electrical shock exists in this oven. Switch off and lockout/tagout the electric supply BEFORE beginning to disassemble, clean, or service any oven. Never disassemble or clean an oven with the BLOWER switch or any other circuit of the oven switched on.

CAUTION

NEVER use a water hose or pressurized steam-cleaning equipment when cleaning this oven. DO NOT use excessive amounts of water, to avoid saturating the oven insulation. DO NOT use a caustic oven cleaner, which can damage the aluminized bake chamber surfaces.

NOTE

ANY replacement parts that require access to the interior of the oven may ONLY be replaced by a Middleby Marshall Authorized Service Agent.

NOTE

It is strongly recommended that the 3-Month Maintenance and 6-Month Maintenance procedures in this section be performed ONLY by a Middleby Marshall Authorized Service Agent.

I. MAINTENANCE - DAILY

- A. Check that the oven is cool and the power is disconnected, as described in the warning on Page 20.
- B. Clean the outside of the oven with a soft cloth and mild detergent.
- C. Clean ALL of the cooling fan grills and vent openings with a stiff nylon brush. Refer to Figures 4-1, 4-2, and 4-3 for the locations of the grills and vents.
- D. Check that ALL cooling fans are operating properly.

CAUTION

If a cooling fan is not operating correctly, it must be replaced IMMEDIATELY. Operating the oven without adequate cooling can seriously damage the oven's internal components.

- E. Clean the conveyor belts with a stiff nylon brush. This is more easily accomplished by allowing the conveyor to run while you stand at the exit end of the conveyor. Then, brush the crumbs off the conveyor as it moves.
- F. Remove and clean the crumb trays. Be sure to replace the trays in the same positions from which they were removed, because they are NOT identical. Refer to the drawings on Page 10 in the [Installation](#) section.
- G. OVENS EQUIPPED WITH WINDOWS ONLY: Clean the window in place.

**Figure 4-1 - Cooling Fan/Vent Locations:
All ovens except PS360EWB and PS360WB70**

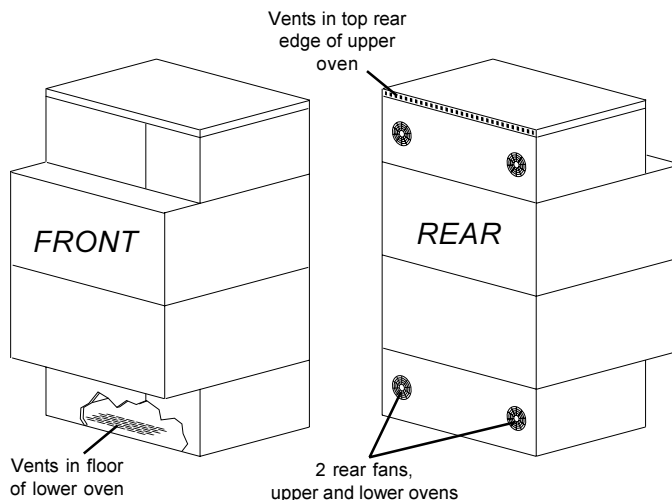


Figure 4-2 - Cooling Fan/Vent Locations: PS360EWB

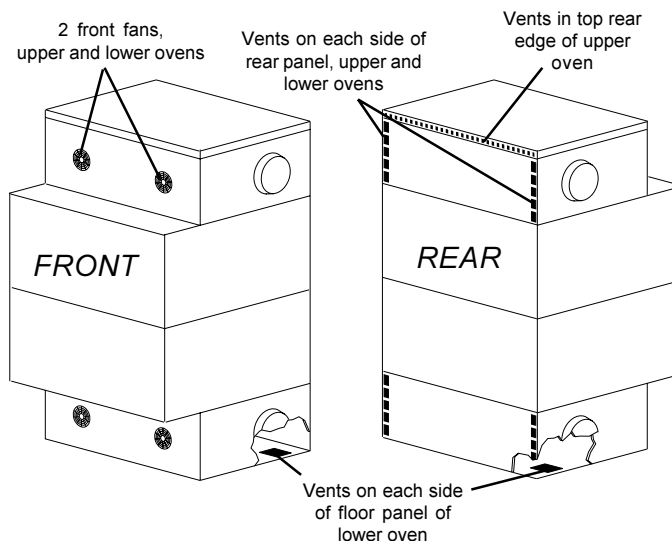
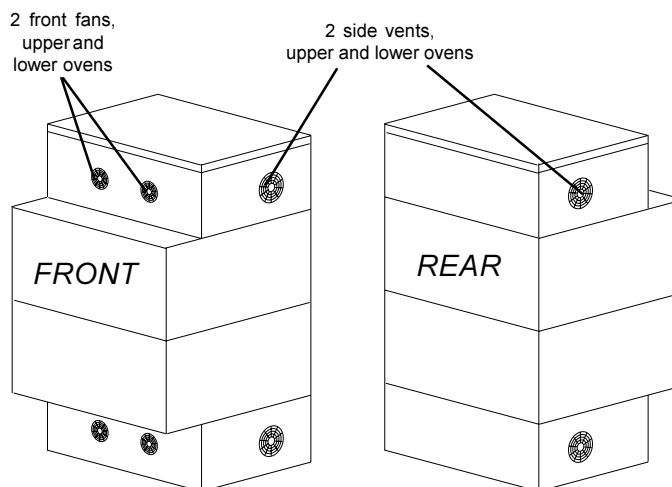


Figure 4-3 - Cooling Fan/Vent Locations: PS360WB70



ENGLISH

II. MAINTENANCE - MONTHLY

NOTE

When removing the conveyor, refer to the drawings on Pages 12-13 in the *Installation* section.

- Check that the oven is cool and the power is disconnected, as described in the warning on Page 20.
- Remove the drive motor shroud and conveyor extension covers from the oven. Disconnect the drive chain from the sprocket on the drive shaft of the conveyor.
- Slide the conveyor out of the oven.

NOTE

Split belt conveyors can only be removed from the end of the oven *with* the drive motor.

Single-belt conveyor assemblies may be removed from either end of the oven. If it is to be removed from the end of the oven *without* the drive motor, the drive sprocket assembly must be removed.

To remove the drive sprocket (if necessary), loosen the set screw on the conveyor collar as shown in Figure 2-12 (on Page 12). Then, pull the sprocket assembly straight out.

- Remove the end plugs from the oven. The end plugs are shown in Figure 1-1, on Page 4 of this Manual.
- Slide the air fingers and blank plates out of the oven, as shown in Figure 4-4. AS EACH FINGER OR PLATE IS REMOVED, WRITE A "LOCATION CODE" ON IT WITH A MARKER to make sure that it can be reinstalled correctly.

Example of markings:

(Top Row)	T1	T2	T3	T4	T5	T6
(Bottom Row)	B1	B2	B3	B4	B5	B6

- Disassemble the air fingers as shown in Figure 4-5. AS EACH FINGER IS DISASSEMBLED, WRITE THE "LOCATION CODE" FOR THE FINGER ON ALL THREE OF ITS PIECES. This will help you in correctly reassembling the air fingers.

CAUTION

Incorrect reassembly of the air fingers will change the baking properties of the oven.

- Clean the air finger components and the interior of the baking chamber using a vacuum cleaner and a damp cloth. Refer to the boxed warnings on Page 20 for cleaning precautions.
- Reassemble the air fingers. Then, replace them in the oven, using the "location code" as a guide.
- Replace the end plugs on the oven.
- Reassemble the conveyor into the oven. If the drive sprocket was removed when installing the conveyor, replace it at this time.
- Reattach the drive chain.
- Check the tension of the conveyor belt as shown in Figure 2-15 (on Page 12). The belt should lift between 3-4" (75-100mm). DO NOT OVERTIGHTEN THE CONVEYOR BELT. If necessary, the belt tension can be adjusted by turning the conveyor adjustment screws, located at the idler (right) end of the conveyor.
- Replace the drive motor shroud and the conveyor extensions.

Figure 4-4 - Removing Air Fingers and Plates

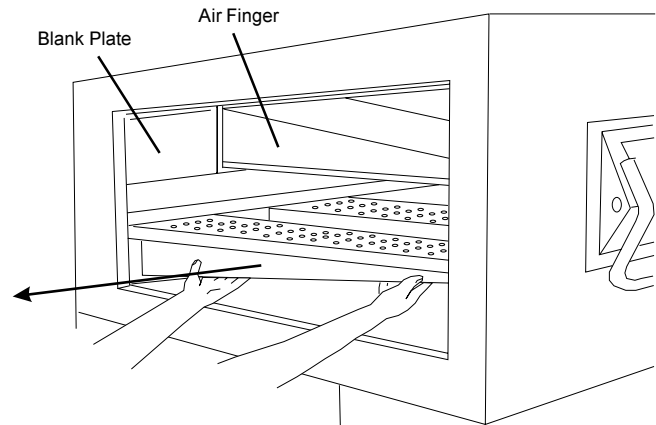
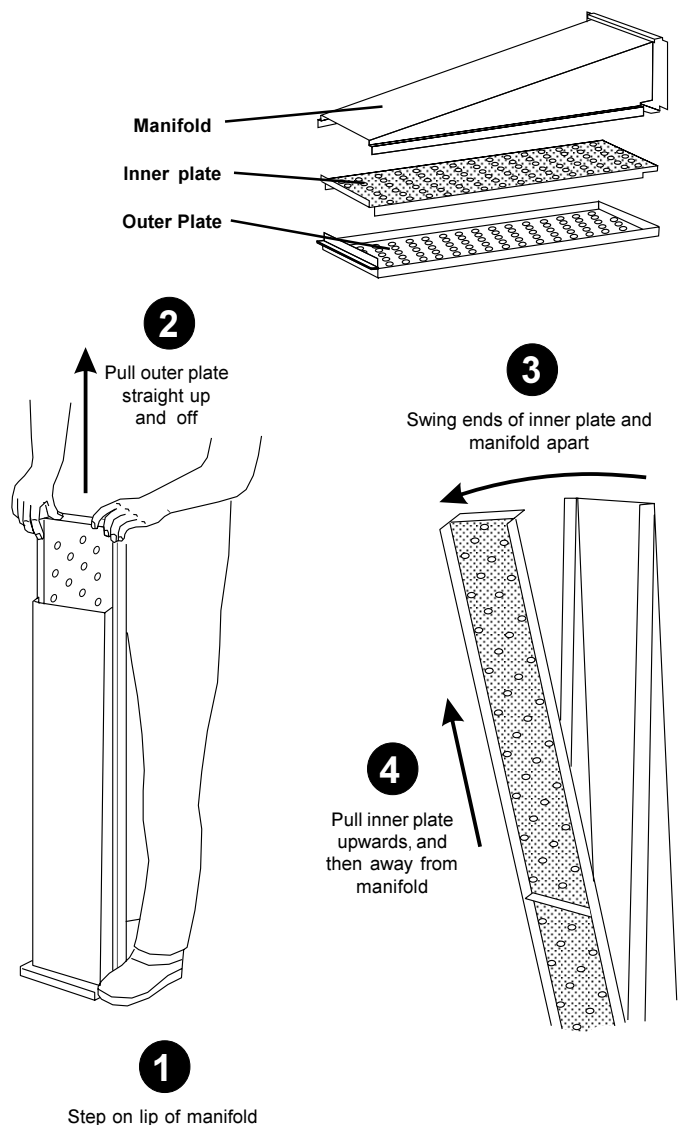


Figure 4-5 - Disassembling the Air Fingers



III. MAINTENANCE - EVERY 3 MONTHS

- A. Check that the oven is cool and the power is disconnected, as described in the warning on Page 20.
- B. Vacuum both of the blower motors, and their surrounding compartments, using a shop vacuum.
- C. Tighten all electrical control terminal screws.
- D. For split belt ovens ONLY, disassemble, clean and lubricate the conveyor shaft components as described below.
 1. Remove the motor shroud, conveyor extensions, and conveyor as described in Part II, Monthly Maintenance.
 2. Remove the master links from each conveyor belt. Then, roll the belts up along the length of the conveyor to remove them from the frame.
 3. Remove the two conveyor adjustment screws from the idler end of the conveyor frame, as shown in Figure 4-6.
 4. For PS360EWB and PS360WB70 ovens, remove the socket head screw as shown in the inset drawing. Then, loosen the locking collar set screw. Push the shaft assembly toward the locking collar until it is free.
 5. Remove the idler shaft assembly from the conveyor.
 6. Pull apart the two sections of the idler shaft. Clean the shafts thoroughly using a rag. Then, lubricate both the extended shaft and the interior of the hollow shaft using a light food-grade lubricant.

CAUTION

DO NOT lubricate the shafts using WD40 or a similar product. This can cause the shafts to wear rapidly.

7. Before reassembling the shafts into the conveyor frame, check that they are oriented properly. Remember that unequal-width split belt ovens should ALWAYS have the narrower belt at the front of the oven.
8. Reassemble the idler shaft into the conveyor. For all ovens except the PS360EWB and PS360WB70, make sure that the bronze washer is in place between the two sections of the shaft. See Figure 4-8.
9. Loosen the set screw on both of the conveyor drive sprockets. Then, remove the sprockets from the shaft.
10. Loosen the locking collar set screw, as shown in Figure 4-7. For PS360EWB and PS360WB70 ovens, remove the socket head screw shown in the inset drawing.
11. Push the drive shaft to the right, then lift it free of the conveyor frame. Then, disassemble and lubricate the two sections of the drive shaft as described in Step 5.
12. Before reassembling the shafts into the conveyor frame, check that they are oriented properly. Remember that unequal-width split belt ovens should ALWAYS have the narrower belt at the front of the oven.
13. Reassemble the drive shaft into the conveyor. Check that the nylon spacer is in place, as shown in Figure 4-8. Also, for all ovens except the PS360EWB and PS360WB70, check that the bronze washer is in place between the two sections of the shaft.
14. Replace the drive sprockets. Reassemble the belts and master links onto the conveyor, and replace the conveyor in the oven.
15. Reassemble the motor shroud and conveyor extensions onto the oven.

IV. MAINTENANCE - EVERY 6 MONTHS

- A. Check that the oven is cool and the power is disconnected, as described in the warning on Page 20.
- B. Check for excessive wear on the conveyor drive motor brushes. The brushes should be replaced if they have worn to less than 1/4" (6.4mm) in length.
- C. Clean and inspect the burner nozzle and electrode assembly.
- D. Check (and clean, if necessary) the oven venting system, including the flue.
- E. Check the conveyor drive shaft bushings and spacers. Replace the components if they are worn.

Figure 4-6 - Split Belt Idler Shaft

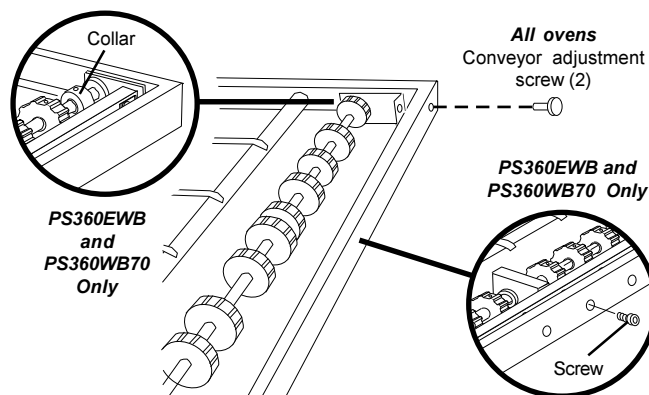


Figure 4-7 - Split Belt Drive Shaft

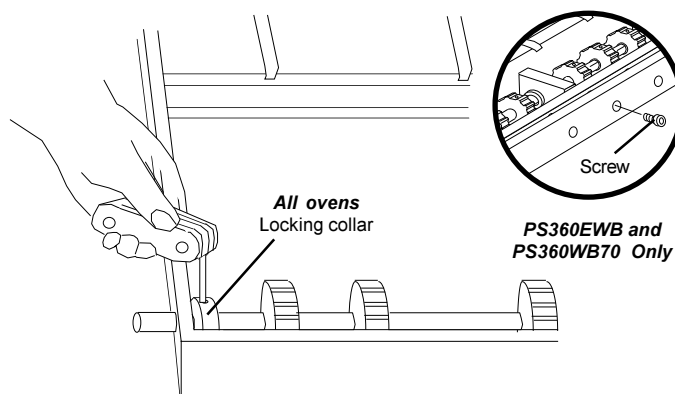
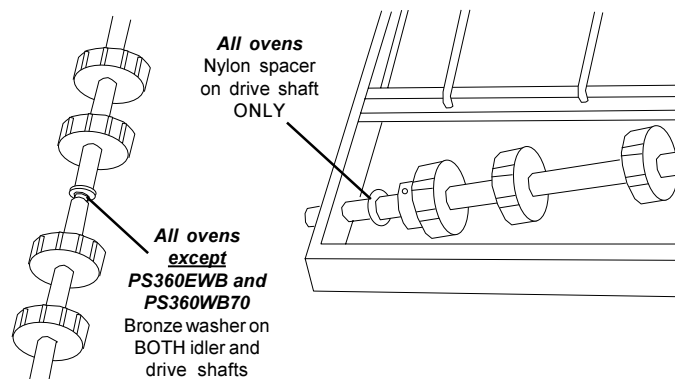


Figure 4-8 - Washers and Spacer

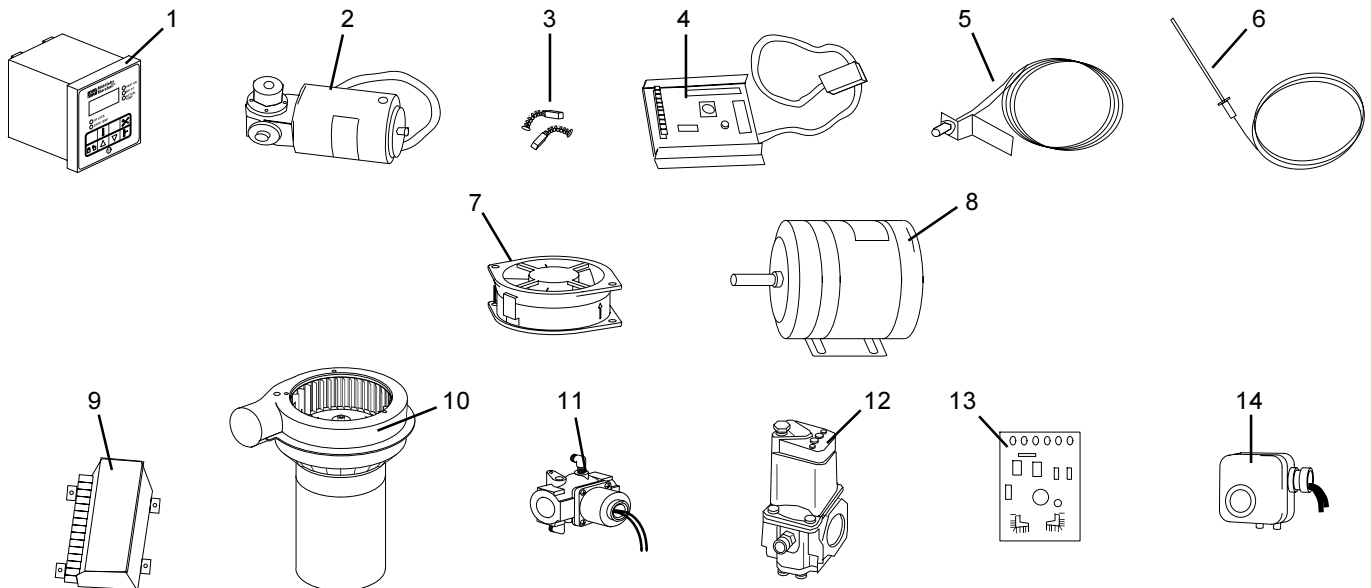


V. KEY SPARE PARTS KIT - Available separately. See Figure 4-9.**A. Key Spare Parts Kit components (all ovens)**

Item	Description	PartNumber
1	Kit, Digital Temperature Controller	36939
2	Conveyor Drive Motor	27384-0008
3	Brushes, Conveyor Drive Motor	22450-0052
4	Kit, Conveyor Speed Controller	42810-0133
5	Conveyor Control Pickup Assembly	27170-0263
6	Thermocouple	33984
7a	Cooling Fan (PS310, 314, 360, 360Q, 360S, 360WB)	27392-0002
7b	Cooling Fan (PS360EWB, WB70)	36451
8a	Blwr Mtr, 1 Ph, 1/3 HP (PS310, 314, 360, 360S)	27381-0023
8b	Blower Motor, 3 Ph, 1/3 HP (PS310, 314, 360)	27381-0024
8c	Blower Motor, 1 Ph, 1/4 HP (PS360Q)	27381-0054
8d	Blower Motor, 1 Ph, 1/2 HP (PS360WB)	27381-0075
8e	Blower Motor, 1 Ph, 1 HP (PS360EWB, WB70)	31432

B. Additional Key Spare Parts Kit components for gas ovens

Item	Description	PartNumber
9	Kit, Ignition Module	42810-0114
10a	Burner Blower/Motor Assembly (PS310, 314, 360, 360Q, 360S, 360WB)	27170-0011
10b	Burner Blower/Motor Assembly (PS360EWB, WB70)	38811
11	Solenoid Valve (All ovens EXCEPT PS360EWB)	28091-0017
12	Modulating Valve (PS360EWB)	32570
13	Amplifier, Modulating Valve (PS360EWB)	31651
14	Air Switch (PS360EWB, WB70)	32102

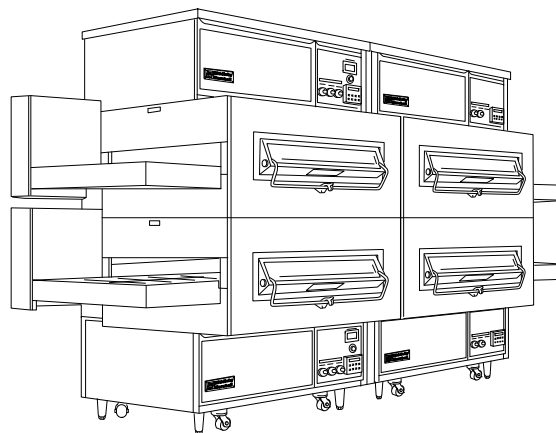
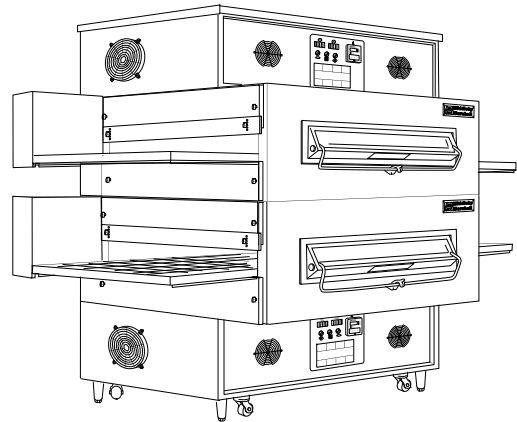
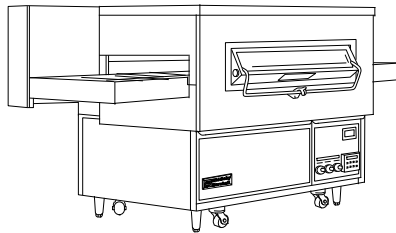
Fig. 4-9 - Key Spare Parts Kit**IMPORTANT**

An electrical wiring diagram for the oven is located inside the machinery compartment or control compartment.

Middleby Cooking Systems Group • 1400 Toastmaster Drive • Elgin, IL 60120 • USA • (847)741-3300 • FAX (847)741-4406
24-Hour Service Hotline: 1-(800)-238-8444

www.middleby.com





ENGLISH
page 1

FRANÇAIS
page 25

ESPAÑOL
página 49

Fours électriques et à gaz de série PS300

Modèles :

- PS310
- PS314
- PS360/360Q/360S
- PS360WB
- PS360EWB
- PS360WB70

Combinaisons :

- Four inférieur simple
- Four supérieur simple sur socle
- Fours doubles (à deux étages)
- Four en tandem
- Fours en tandem doubles (à deux étages)

MANUEL D'INSTALLATION ET D'UTILISATION

© 2000 Middleby Marshall, Inc.



**Middleby
Marshall®** est une marque déposée de Middleby Marshall, Inc. Tous droits réservés.

Middleby Cooking Systems Group • 1400 Toastmaster Drive • Elgin, IL 60120 • (847)741-3300 • Télécopieur (847)741-4406



AVIS :

Ce manuel d'installation et d'utilisation doit être fourni à l'utilisateur. L'opérateur du four devrait être familier avec les commandes du four et son fonctionnement.

Ce manuel doit être placé près du four, être bien visible et facilement accessible.

Les fours peuvent être alimentés SOIT en gaz naturel, SOIT en gaz propane, comme l'indique la plaque de série. Si les normes locales et nationales le permettent, il est possible de convertir un four fonctionnant au gaz naturel en un four fonctionnant au gaz propane, et vice versa. Cette conversion requiert l'installation de la trousse de conversion au gaz Middleby Marshall appropriée par un technicien agréé.

Il est recommandé de se procurer un contrat d'entretien auprès d'un technicien agréé par Middleby Marshall.

AVERTISSEMENT

AFFICHEZ, DE MANIÈRE VISIBLE, LE NUMÉRO DE TÉLÉPHONE D'URGENCE DE VOTRE FOURNISSEUR DE GAZ LOCAL ET LES DIRECTIVES À SUIVRE DANS LE CAS OÙ IL Y AURAIT ODEUR DE GAZ.

Il est possible de se procurer les directives à suivre dans le cas où il y a odeur de gaz auprès d'un fournisseur de gaz local. Si vous détectez une odeur de gaz, composez immédiatement le numéro d'urgence de votre fournisseur de gaz local qui sera en mesure de corriger le problème.

DIRECTIVES IMPORTANTES DE SÉCURITÉ

N'entreposez pas ou n'utilisez pas d'essence, de substances produisant des vapeurs inflammables ou de liquides inflammables à proximité de cet appareil ou de tout autre appareil.

AVERTISSEMENT :

Une installation, un réglage, un entretien ou l'altération incorrects de l'appareil peuvent causer des dommages matériels, des blessures voire la mort.

IMPORTANT

Le schéma de câblage s'appliquant à ce four est situé à l'intérieur du compartiment des composants ou du compartiment de commande.

IMPORTANT

Le consommateur est responsable de signaler toute avarie apparente ou non apparente au transporteur. Conservez tout le matériel d'expédition jusqu'à ce que vous soyez assuré que l'équipement n'a pas subi d'avarie.

AVIS : VEUILLEZ CONTACTER UN TECHNICIEN AGRÉÉ PAR MIDDLEBY MARSHALL POUR L'ENTRETIEN ET LES RÉPARATIONS. UN RÉPERTOIRE DE CENTRES DE SERVICE AGRÉÉS EST FOURNI AVEC VOTRE TROUSSE D'INSTALLATION.

AVIS : L'utilisation de pièces autres que les pièces fabriquées à l'usine de Middleby Marshall décharge le fabricant de toute obligation et de toute responsabilité inhérente à la garantie.

AVIS : Middleby Marshall (fabricant) se réserve le droit de modifier les spécifications en tout temps.

AVIS : La garantie de l'équipement n'est valide que si l'installation, la mise en marche, et la démonstration du four sont faites sous la surveillance d'un installateur qualifié de l'usine.



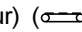
Conservez ce manuel pour référence ultérieure

Middleby Cooking Systems Group • 1400 Toastmaster Drive • Elgin, IL 60120 • USA • (847) 741-3300 • Télécopieur (847) 741-4406

Service d'assistance téléphonique 24 heures : 1 800 238-8444

www.middleby.com

TABLE DES MATIÈRES

	<i>page</i>		<i>page</i>
SECTION 1 - DESCRIPTION	28	V. ASSEMBLAGE DES FOURS EN TANDEM	34
I. UTILISATIONS DU FOUR	28	VI. INSTALLATION DU TRANSPORTEUR	36
II. COMPOSANTS DU FOUR	28	A. Tous les fours qui ne sont pas en tandem	36
A. Plateaux à miettes	28	B. Modèles de four en tandem	37
B. Moteur d'entraînement du transporteur	28	VII. ASSEMBLAGE FINAL	37
C. Transporteur	28	VIII. ALIMENTATION EN ÉLECTRICITÉ	38
D. Panneaux latéraux	28	A. Fours électriques	38
E. Plaque de série	28	B. Fours à gaz	38
F. Fenêtre	28	C. Fours avec transformateurs extérieurs	38
G. Panneau de service du compartiment des composants	28	D. Raccordement	38
H. Panneau de service du compartiment de commande	28	IX. ALIMENTATION	39
I. Tableau de commande	28	A. Recommandations concernant le gaz	39
J. Gardes	28	B. Raccordement	39
K. Butée d'extrémité du transporteur	28	C. Conversion du gaz	39
L. Brûleur à gaz	28	SECTION 3 - OPÉRATION	40
M. Souffleries	28	I. EMBLACEMENT ET DESCRIPTION DES COMMANDES	40
N. Conduits d'air	28	A. Bouton de commande BLOWER (ventilation) 	40
III. SPÉCIFICATIONS DU FOUR	28	B. Bouton de commande HEAT (chaleur) 	40
A. Dimensions	28	C. Bouton de commande CONVEYOR (transporteur) 	40
B. Spécifications générales	29	D. Régulateur de vitesse de transporteur	40
C. Spécifications d'orifice à gaz et de pression	29	E. Régulateur de température électronique	40
D. Spécifications électriques - Fours à gaz	29	F. Interrupteur de sécurité du panneau de service du compartiment des composants	40
E. Spécifications électriques - Fours électriques	29	II. OPÉRATION NORMALE, PAS-À-PAS	4'
SECTION 2 - INSTALLATION	30	A. Procédures quotidiennes de mise en marche	4'
I. TROUSSE D'INSTALLATION	31	B. Procédures quotidiennes de mise en arrêt	4'
A. Composants	31	III. CONSULTATION RAPIDE : RÉGULATION ÉLECTRONIQUE DE LA TEMPÉRATURE	42
B. Autres composants - Fours à gaz	31	IV. CONSULTATION RAPIDE : DÉPANNAGE	43
C. Autres composants - Fours en tandem	31	SECTION 4 - ENTRETIEN	44
II. SYSTÈME DE VENTILATION	32	I. ENTRETIEN - QUOTIDIEN	45
A. Exigences	32	II. ENTRETIEN - MENSUEL	46
B. Recommandations	32	III. ENTRETIEN - TRIMESTRIEL	47
C. Autres considérations pour la ventilation	32	IV. ENTRETIEN - SEMESTRIEL	47
III. ASSEMBLAGE	33	V. TROUSSE DE PIÈCES DE RECHANGE ESSENTIELLES	48
A. Superposition	33		
B. Socles	33		
IV. INSTALLATION DU THERMOCOUPLE	33		

SECTION 1 - DESCRIPTION

I. UTILISATIONS DU FOUR

Les fours de série PS300 peuvent être utilisés pour faire cuire une grande variété de produits alimentaires, tels que la pizza, les produits similaires à la pizza, les biscuits, les sandwichs et autres.

II. COMPOSANTS DU FOUR - Figure 1-1.

- A. **Plateaux à miettes** : Reçoit les miettes et les autres aliments qui passent à travers la bande transporteuse du transporteur. On trouve un plateau à miettes en dessous de chaque transporteur.
- B. **Moteur d'entraînement du transporteur** : Met le transporteur en mouvement.
- C. **Transporteur** : Fait passer les aliments dans le four.
- D. **Panneaux latéraux** : Permettent d'avoir accès à l'intérieur du four.
- E. **Plaque de série** : Fournit les spécifications du four relatives à l'installation et au fonctionnement. Reportez-vous à la rubrique Installation de la section 2, pour obtenir plus de détails.
- F. **Fenêtre (en option)** : Permet à l'utilisateur de voir les aliments qui sont dans la chambre de cuisson et d'avoir accès à la chambre de cuisson.
- G. **Panneau de service du compartiment des composants** : Permet d'avoir accès aux composants situés à l'intérieur du four. Ce compartiment ne contient pas de pièce pouvant être entretenue ou réparée par l'utilisateur.
- H. **Panneau de service du compartiment de commande** : Permet d'avoir accès aux composants de commande. Ce panneau est combiné au panneau de service du compartiment des composants dans le cas des fours PS360EWB et WB70. Le compartiment de commande ne contient pas de pièce pouvant être entretenue ou réparée par l'utilisateur.
- I. **Tableau de commande** : Emplacement des commandes de fonctionnement du four. Reportez-vous à la rubrique Fonctionnement de la section 3 pour obtenir plus de détails.

J. **Gardes (en option)** : Peuvent être ajustées à différentes hauteurs pour prévenir la perte de chaleur.

K. **Butée d'extrémité du transporteur** : Empêche les aliments de tomber lorsque le transporteur fonctionne.

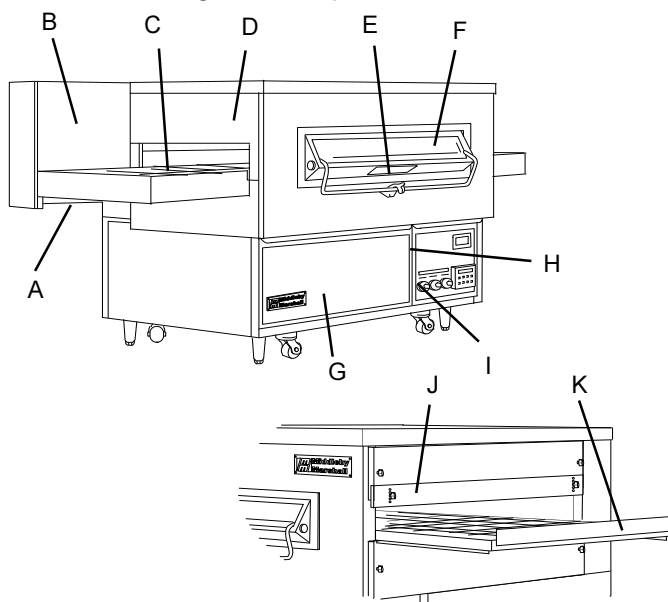
Non illustrés :

L. **Brûleur à gaz** : Chauffe l'air qui est ensuite projeté vers les conduits d'air par les souffleries.

M. **Souffleries** : Ventilateurs qui projettent de l'air chaud du brûleur aux conduits d'air.

N. **Conduits d'air** : Projettent de l'air chaud sur les aliments.

Fig. 1-1 - Composants du four



III. SPÉCIFICATIONS DU FOUR

A. Dimensions

	PS310	PS314	PS360/360Q/360S	PS360Tandem	PS360WB	PS360WB Tandem	PS360EWB	PS360WB70
--	-------	-------	-----------------	-------------	---------	----------------	----------	-----------

Hauteur hors-tout

Four inférieur, avec le dessus et les pieds	45½"	45½"	45½"	45½"	45½"	45½"	45½"	45½"
	1143 mm	1143 mm	1143 mm	1143 mm	1143 mm	1143 mm	1143 mm	1143 mm
Four supérieur, avec le socle et le dessus	64½"	64½"	64½"	64½"	64½"	64½"	64½"	64½"
	1638 mm	1638 mm	1638 mm	1638 mm	1638 mm	1638 mm	1638 mm	1638 mm
Fours doubles (à deux étages)	82¼"	82¼"	82¼"	82¼"	82¼"	82¼"	82¼"	82¼"
	2089 mm	2089 mm	2089 mm	2089 mm	2089 mm	2089 mm	2089 mm	2089 mm

Profondeur hors-tout

inc. protecteurs arrière et fenêtre avant	39"	39"	47"	47"	55"	55"	60"	55"
	991 mm	991 mm	1194 mm	1194 mm	1397 mm	1397 mm	1524 mm	1397 mm
inc. protecteurs arrière (sans fenêtre)	36"	36"	44"	44"	52"	52"	—	—
	914 mm	914 mm	1118 mm	1118 mm	1321 mm	1321 mm	—	—

Longueur hors-tout

	90½"	70¾"*	90½"*	144½"	90½"	144½"	90½"	106"
	2299 mm	1797 mm*	2299 mm *	3670 mm	2299 mm	3670 mm	2299 mm	2692 mm

* REMARQUE : Les dimensions des modèles PS314 et PS360Q n'incluent PAS les plateaux latéraux en option.

Largeur du transporteur

Bande transporteuse simple	24"	24"	32"	32"	40"	40"	44"	40"
	610 mm	610 mm	813 mm	813 mm	1016 mm	1016 mm	1118 mm	1016 mm
Bande transporteuse divisée, largeur identique	—	—	2x15"	2x15"	2x19"	2x19"	2x21"	2x19"
	—	—	381 mm	381 mm	483 mm	483 mm	533 mm	483 mm
Bande transporteuse divisée, largeur inégale	—	—	—	—	1x13"/330 mm ET 1x26"/660 mm	1x13"/330 mm ET 1x26"/660 mm	1x14"/356 mm ET 1x28"/711 mm	1x13"/330 mm ET 1x26"/660 mm

Dégagements minimums recommandés

De l'arrière du four (inc. les protecteurs arrière au mur)	1"	1"	1"	1"	1"	1"	1"	1"
	25 mm	25 mm	25 mm	25 mm	25 mm	25 mm	25 mm	25 mm
De l'allonge de transporteur au mur (deux côtés)	0"	0"	0"	0"	0"	0"	0"	0"
	0 mm	0 mm	0 mm	0 mm	0 mm	0 mm	0 mm	0 mm

B. Spécification générales (par cavité du four)

	<i>PS310</i>	<i>PS314</i>	<i>PS360/360Q/360S</i>	<i>PS360WB</i>	<i>PS360EWB</i>	<i>PS360WB70</i>
Poids	1165 lb/529 kg	1165 lb/529 kg	1285 lb/583 kg	1485 lb/674 kg	1620 lb/733 kg	1825 lb/829 kg
Poids à l'expédition	1241 lb/563 kg	1241 lb/563 kg	1360 lb/617 kg	1560 lb/708 kg	1695 lb/767 kg	1900 lb/863 kg
Vol. emballage d'expédition	105 pi ³ /2,98 m ³	105 pi ³ /2,98 m ³	106 pi ³ /3,00 m ³	129 pi ³ /3,65 m ³	129 pi ³ /3,65 m ³	164 pi ³ /4,65 m ³
Débit calorifique nominal						
Gaz	135 000 BTU 34 020 kcal, 40 kWh	135 000 BTU 34 020 kcal, 40 kWh	135 000 BTU 34 020 kcal, 40 kWh	170 000 BTU 42 840 kcal, 50 kWh	175 000 BTU 44 100 kcal, 52 kWh	175 000 BTU 44 100 kcal, 52 kWh
Électricité	26 kWh	26 kWh	26 kWh	—	—	—
Temp. de fonctionnement max.	<----- 550 °F/288 °C ----->					
Souffleries à air	<----- 2 souffleries à 1550 pi ³ (43,9 m ³)/min à 1700 tr/min, 0,88"/2,2 cm pression statique d'eau ----->					
Vitesse d'injection d'air (moy.)	<----- 2600 pi/min (1320 cm/sec) ----->					
Temps de préchauffage	<----- 15 minutes ----->					

C. Spécifications des orifices de gaz et de pression - pour les fours alimentés au gaz (par cavité de four)

	<i>D.I. de l'orifice principal</i>						<i>D.I. orifice du pilote</i>	<i>D.I. orifice de dérivation *</i>	<i>Pression de canalisation</i>	<i>Pression d'admission</i>
	<i>PS310</i>	<i>PS314</i>	<i>PS360/360Q/360S</i>	<i>PS360WB</i>	<i>PS360EWB</i>	<i>PS360WB70</i>				
Gaz naturel	0,219" 5,56 mm	0,219" 5,56 mm	0,219" 5,56 mm	0,250" 6,35 mm	0,250" 6,35 mm	0,250" 6,35 mm	0,028" 0,71 mm	0,065"/mèche no 53 1,65 mm	6-12" C.E. 14,9-29,9mb	3-1/2" C.E. 8,7 mb
Propane	0,134" 3,40 mm	0,134" 3,40 mm	0,134" 3,40 mm	0,152" 3,86 mm	0,165" 4,19 mm	0,165" 4,19 mm	0,018" 0,46 mm	0,034"/mèche no 62 0,86 mm	11-14" C.E. 27,4-34,9mb	10" C.E. 24,9 mb

* NOTE : Le four à gaz PS360EWB n'a pas d'orifice de dérivation.

D. Spécifications électriques - Fours alimentés au gaz (par cavité de four)

	<i>Tension soufflerie principale</i>	<i>Tension circuit de commande</i>	<i>Phase</i>	<i>Fréq.</i>	<i>Débit courant</i>	<i>Pôles</i>	<i>Câblage</i>
PS310/314/360/360Q/360S/360WB	208-240V	120 V	1 Ph	60 Hz	10 A	3 pôles	4 fils (2 chauds, 1 neut., 1 masse)
	208-240 V (export)	120 V (transformateur)	1 Ph	50/60 Hz	10 A	2 pôles	3 fils (2 fils chauds, 1 masse)
	200-220 V (export)	120 V (transformateur)	1 Ph	50/60 Hz	10 A	2 pôles	3 fils (2 chauds, 1 masse)
PS360EWB/WB70	208-240V	120 V régulateur de vitesse de transporteur (transformateur); tous autres circuits de commande par ligne (208-240 V)	1 Ph	60 Hz	12 A	2 pôles	3 fils (2 chauds, 1 masse)

E. Spécifications électriques - pour tous les fours chauffés à l'électricité (par cavité de four)

<i>Tension soufflerie principale</i>	<i>Tension circuit de commande</i>	<i>Phase</i>	<i>Fréq.</i>	<i>Débit courant</i>	<i>V. nominale kW</i>	<i>Pôles</i>	<i>Câblage</i>
208-240 V (avec moteurs de soufflerie 3 Ph)	120 V	3 Ph	60 Hz	67,3 A à 208 V 58,4 A à 240 V	26 kW à 208 V 26 kW à 240 V	4 pôles	5 fils (3 chauds, 1 neut., 1 masse)
208 à 240V (avec moteurs de soufflerie 1 Ph)	120 V	3 Ph	60 Hz	67,3A à 208 V 58,4A à 240 V	26 kW à 208 V 26 kW à 240 V	4 pôles	5 fils (3 chauds, 1 neut., 1 masse)
200-220 V (export)	120 V (transformateur)	3 Ph	50/60 Hz	67,3 A à 208 V 53,5 A à 220 V	24,3 kW à 208 V 20,4 kW à 220 V	3 pôles	4 fils (3 chauds, 1 masse)
240 V (export)	120 V (transformateur)	3 Ph	50/60 Hz	58,4 A	26 kW	3 pôles	4 fils (3 chauds, 1 masse)
380 V (export)	120 V (transformateur)	3 Ph	50/60 Hz	36,8A	24,3 kW	3 pôles	4 fils (3 chauds, 1 masse)
400-416 V (export)	120 V (transformateur)	3 Ph	50/60 Hz	33,8 A	24,3 kW	3 pôles	4 fils (3 chauds, 1 masse)
480 V	120 V (transformateur)	3 Ph	60 Hz	29,2 A	26,0 kW	3 pôles	4 fils (3 chauds, 1 masse)

IMPORTANT

Des renseignements supplémentaires sur l'électricité se trouvent sur la plaque de série du four et sur le schéma de câblage situé à l'intérieur du compartiment des composants.

SECTION 2 - INSTALLATION

AVERTISSEMENT – Après chaque modification, réglage ou entretien du four :

- Rechercher d'éventuelles fuites de gaz.
- Vérifier l'alimentation d'air, particulièrement au niveau du dispositif d'évacuation d'air du brûleur.
- Vérifier l'alimentation en gaz et la combustion.
- S'assurer que la ventilation fonctionne.

AVERTISSEMENT

Dégagez le site d'exploitation de l'appareil de tout produit combustible.

AVERTISSEMENT

Le four doit être installé sur un sol plat, de niveau. Les murs adjacents et le sol doivent être ininflammables. Les espaces minimums recommandés pour l'installation sont précisés à la section *Description* de ce manuel.

AVERTISSEMENT

N'obstruez pas le débit de l'air de combustion ou de ventilation en provenance du four ou en direction du four. Il ne doit pas y avoir d'obstructions autour ou en dessous du four. Les modifications de construction de la zone où le four est installé ne doivent avoir aucun effet sur l'alimentation d'air au four.

MISE EN GARDE

Pour obtenir des renseignements supplémentaires sur l'installation, reportez-vous aux documents suivants :

Manuel de procédures de préinstallation du modèle PS360 (N/P Middleby Marshall 88210-0024)
Manuel d'installation du modèle PS360 (N/P Middleby Marshall 88210-0025)

Ou contactez votre technicien local agréé.

REMARQUE

Le dégagement doit être suffisant entre le four et les structures combustibles. Il doit également permettre l'entretien et le fonctionnement.

REMARQUE

Le schéma de câblage s'appliquant à ce four est situé à l'intérieur du compartiment des composants ou de commande.

REMARQUE

Tous les aspects touchant à l'installation du four, notamment l'emplacement, les connexions électriques et les exigences de ventilation doivent être conformes aux normes locales et nationales qui s'appliquent. Ces normes remplacent les exigences et les directives fournies dans ce manuel.

REMARQUE

Aux États-Unis, l'installation du four doit se conformer aux normes locales ou, en l'absence de telles normes, au National Fuel Gas Code, ANSI Z223.1. Lors de l'installation, le four doit être mis à la terre selon les normes locales ou, en l'absence de telles normes, selon le National Electrical Code (NEC) ou ANSI/NFPA70.

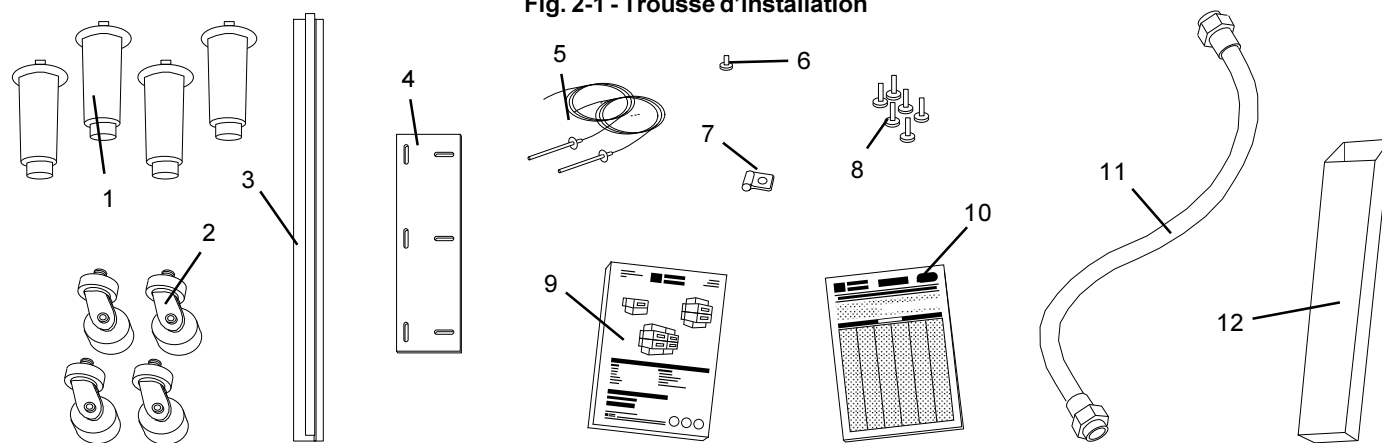
REMARQUE

Au Canada, l'installation du four doit se conformer aux normes locales ou, en l'absence de telles normes, au Natural Gas Installation Code, CAN/CGA-B149.1 ou au Propane Gas Installation Code, CAN/CGA-B149.2, selon le cas. Lors de l'installation, le four doit être mis à la terre selon les normes locales ou, en l'absence de telles normes, selon le Canadian Electrical Code CSA, C22.2, selon le cas.

REMARQUE

Pour l'Australie, l'installation du four doit se conformer au AGA Code, AG601, et à toutes les exigences de l'autorité statutaire appropriée.

I. TROUSSE D'INSTALLATION



A. Composants de la trousse d'installation (une trousse requise par cavité)

Article	Description	Numéro de pièce	Four inférieur sans dessus	Four inférieur avec dessus	Four supérieur
1	Pieds, réglables	22450-0028	4	4	—
2*	Roulette pivotante (avec tige)	37115-0102	4*	4*	4*
3a	Butée d'extrémité de transporteur - PS310/314	35000-1099	1	1	1
3b	Butée d'extrémité de transporteur - PS360/360S				
	• Bande transporteuse simple	35000-1103	1	1	1
	• Bande transporteuse divisée	35509	2	2	2
3c	Butée d'extrémité de transporteur - PS360Q	37000-0524	1	1	1
3c	Butée d'extrémité de transporteur - PS360WB/WB70 (Bande transporteuse simple ou divisée)	36526	1	1	1
3d	Butée d'extrémité - PS360EWB				
	• Bande transporteuse simple	35900-0370	2	2	2
	• Bande transporteuse divisée : bandes transporteuses 2x21"/533 mm	35900-0370	2	2	2
	• Bande transporteuse divisée : bande transporteuse 1x14"/356 mm + bande transporteuse 1x28"/711 mm	35509	1	1	1
		35000-1099	1	1	1
4	Plaque de fixation, four supérieur	35122-0049	—	—	2
5**	Thermocouple	33812-1	1**	1**	1**
6**	Vis, no10-32 x 3/8"	21256-0008	1**	1**	1**
7**	Attache pour câble	27276-0001	1**	1**	1**
8	Vis, no 2 Pt 10-16 x 3/4" HLH	21292-0001	2	2	14
9	Manuel d'installation et d'utilisation	41823	1	1	1
10	Répertoire de centres de service agréés	1002040	1	1	1

REMARQUE

* 4 roulettes pivotantes (article 2) sont préfixées à chaque cavité de four pour faciliter le mouvement durant l'installation.

** À la demande du consommateur, certains fours sont munis de deux thermocouples. La trousse d'installation de ces fours comprend un double des items 5 à 7.

B. Composants additionnels de la trousse d'installation des fours à gaz

Article	Description	Numéro de pièce	Four inférieur sans dessus	Four inférieur avec dessus	Four supérieur
6	Vis, no10-32 x 3/8"	21256-0008	1	1	1
8	Vis, no 2 Pt 10-16 x 3/4" HLH	21292-0001	2	2	2
11	Conduite à gaz, flexible	22361-0001	1	1	1
12a	Conduit de fumées, 14" (356 mm)	30773	—	1	—
12b	Conduit de fumées, 29-1/2" (749 mm)	30759	—	—	1
12c	Conduit de fumées, 50" (1270 mm)	30758	1	—	—

C. Composants additionnels de la trousse d'installation des fours en tandem (non illustrés)

Article	Description	Numéro de pièce	Fours en tandem	Fours en tandem doubles (à deux étages)
—	Couvre-joint du compartiment des composants	35000-1454	1	2
—	Rondelle entretoise avant	35000-1456	2	4
—	Rondelle entretoise arrière	35000-1457	2	4
—	Joint d'étanchéité et bâti de chambre de cuisson - PS360	37200-0013	1	2
—	Joint d'étanchéité et bâti de chambre de cuisson - PS360WB	32483	1	2

II. SYSTÈME DE VENTILATION

IMPORTANT

Lorsque les normes nationales ou locales exigent l'installation d'équipement d'extinction des incendies ou d'équipement supplémentaire, n'installez PAS l'équipement directement sur le four.

L'INSTALLATION DE TEL ÉQUIPEMENT SUR LE FOUR PEUT :

- **ANNULER LES HOMOLOGATIONS DES ORGANISMES**
- **RESTREINDRE L'ACCÈS AUX SERVICES**
- **MENER À UNE AUGMENTATION DES DÉPENSES D'ENTRETIEN POUR L'USAGER**

FRANÇAIS

A. Exigences

MISE EN GARDE

- Un système de ventilation à commande mécanique est REQUIS pour l'installation d'un four à gaz.
- L'utilisation d'un système de ventilation à commande mécanique est FORTEMENT RECOMMANDÉE dans le cas de l'installation d'un four électrique.

LE PROPRIÉTAIRE DU FOUR EST RESPONSABLE DE L'INSTALLATION APPROPRIÉE DU FOUR.

B. Recommandations

VEUILLEZ PRENDRE NOTE QUE LES DIMENSIONS DE LA HOTTE INDICUÉES À LA FIGURE 2-2 NE SONT QUE DES RECOMMANDATIONS. LORS DE L'INSTALLATION D'UN SYSTÈME DE VENTILATION, LES NORMES LOCALES ET NATIONALES DOIVENT ÊTRE RESPECTÉES. TOUTES LES NORMES LOCALES ET NATIONALES QUI S'APPLIQUENT REMPLACENT LES RECOMMANDATIONS CONTENUES DANS CE MANUEL.

Le débit d'air s'échappant du système de ventilation peut varier selon la configuration du four et la conception de la hotte. Consultez le fabricant de hotte ou un technicien en ventilation pour connaître ces spécifications.

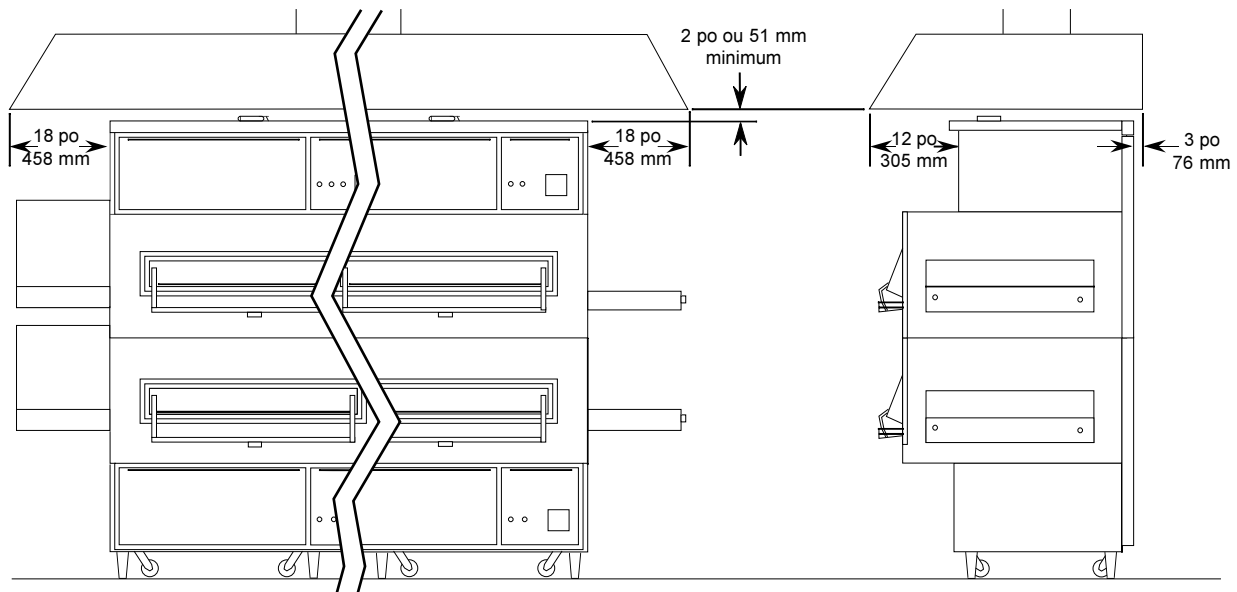
Pour éviter de créer une pression négative dans la cuisine, l'air expulsé doit être remplacé. La chaleur excessive causée par la pression négative dans la cuisine peut endommager autant les composants du four que l'absence de ventilation. L'utilisation du système de chauffage, de ventilation et de climatisation d'air (CVCA) est la meilleure façon de ventiler la pièce, car il permet le réglage de la température de l'air en fonction de la température extérieure. Il est également possible d'aérer la pièce depuis l'extérieur du bâtiment, par contre les variations des températures qui peuvent être extrêmement froides ou chaudes selon les saisons peuvent être nuisibles.

REMARQUE : L'air de retour en provenance du système à commande mécanique ne doit pas être dirigé dans l'ouverture de la chambre de cuisson. Le rendement du four serait affecté.

C. Autres considérations pour la ventilation

- Le recours à un technicien ou à un spécialiste en ventilation peut s'avérer nécessaire dans le cas d'emplacements, de situations ou de problèmes particuliers.
- Une ventilation inadéquate peut gêner le rendement du four.
- Il est recommandé de faire vérifier le système de ventilation et les conduites aux intervalles spécifiés par le fabricant de hotte, le technicien ou le spécialiste en CVCA.

Fig. 2-2 - Système de ventilation



III. ASSEMBLAGE

A. Superposition

Dans le cas de fours à deux étages :

1. Enlevez les roulettes des fours supérieurs qui sont préfixées sur chaque cavité de four.
2. Superposez les cavités de four. Au besoin, reportez-vous au Manuel d'installation du modèle de four PS310/360 (N/P Middleby 88210-0025).

B. Socles

Si l'installation comprend des fours montés sur des socles :

- Enlevez les roulettes qui sont préfixées sur chaque cavité de four et installez-les sur les socles comme le démontre la figure 2-3.
- Assemblez les fours aux socles. Un dessin éclaté du socle se trouve à la figure 2-3.

C. Conduit(s) de fumées

Dans le cas des fours à gaz, attachez un conduit de fumées à la paroi arrière de chaque cavité de four. Utilisez une vis #10-16 X 3/8" et deux vis #10-32 X 3/4" pour chaque conduit. Ces vis viennent avec la trousse d'installation.

IV. INSTALLATION DU THERMOCOUPLE

1. Installer un bulbe thermostatique avec thermocouple dans chacun des deux trous situés sur le panneau arrière du four, comme le montre la figure 2-4. Serrer chaque thermocouple avec une des vis #10-32 x 3/8" se trouvant dans la trousse d'installation.
2. Faire passer les DEUX jeux de fils du thermocouple par le passe-fil, puis dans le compartiment des composants, comme le montre la figure 2-4.
3. Enlever le panneau d'accès latéral droit du compartiment des composants.
4. Faire passer les fils du thermocouple par les côtés du compartiment des composants, comme le montre la figure 2-5, puis dans le boîtier électrique (à droite sur l'avant du compartiment).
5. Raccorder les DEUX jeux de fils de thermocouple au régulateur de température comme l'indique la figure 2-6. Les deux thermocouples sont maintenant fixés ensemble au régulateur de température.
6. Remettre le panneau latéral droit en place sur le compartiment des composants.
7. Répéter les étapes de 1 à 6 pour toutes les cavités du four à installer.

Figure 2-3 - Dessin éclaté, socle de four

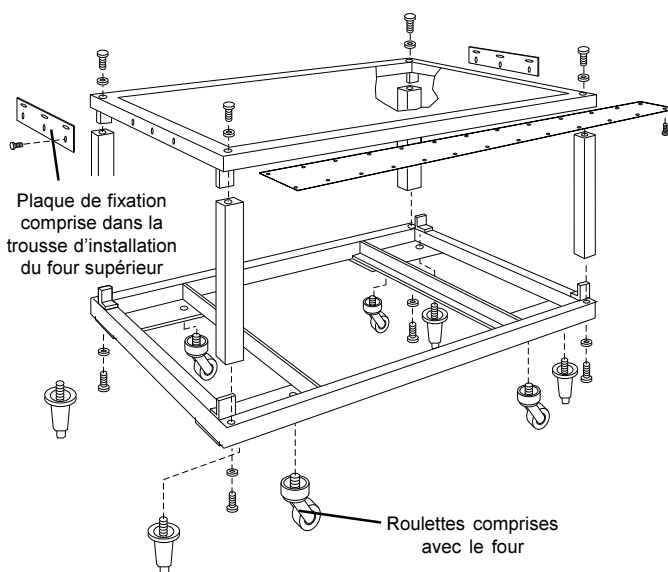


Figure 2-4 – Points d'installation du thermocouple

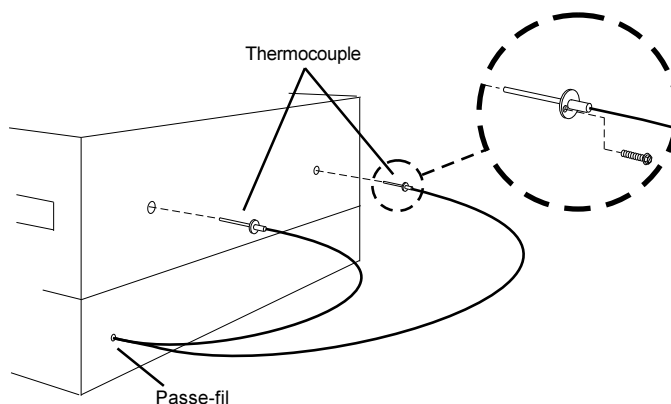


Figure 2-5 – Mise en place des conducteurs de thermocouple

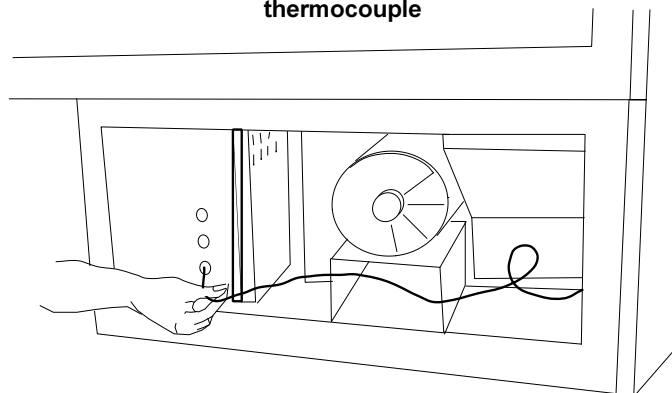
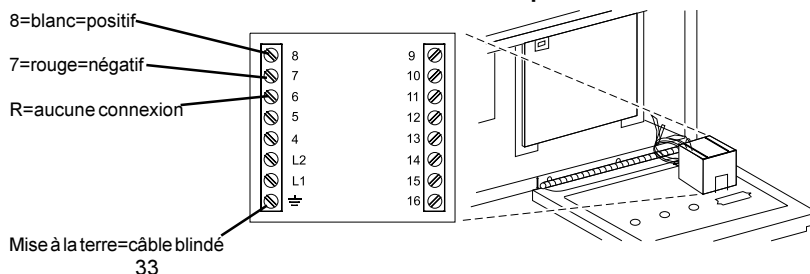


Figure 2-6 - Raccordement des conducteurs de thermocouple



V. ASSEMBLAGE DES FOURS EN TANDEM

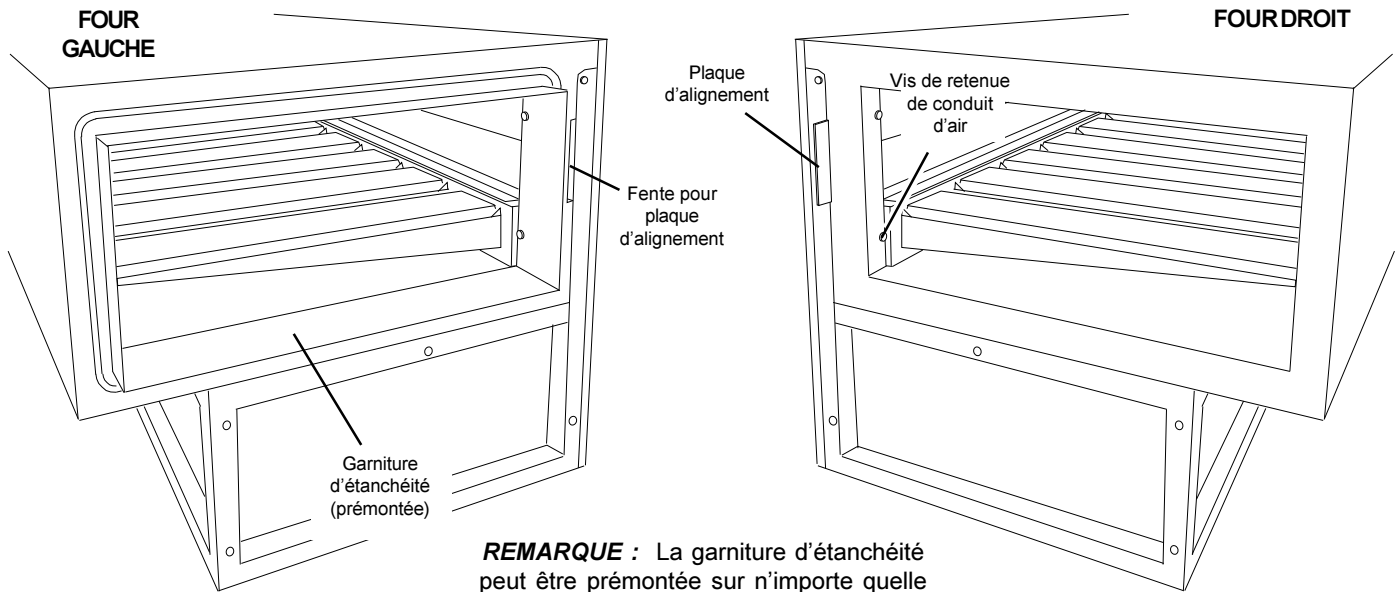
REMARQUE

Pour l'installation des modèles de fours autres que le modèle tandem, passez à rubrique Installation du transporteur de la section VI.

1. Déterminez la mise en place des fours qui convient en vous reportant à la figure 2-7. Procédez ensuite à une mise en place approximative des fours.

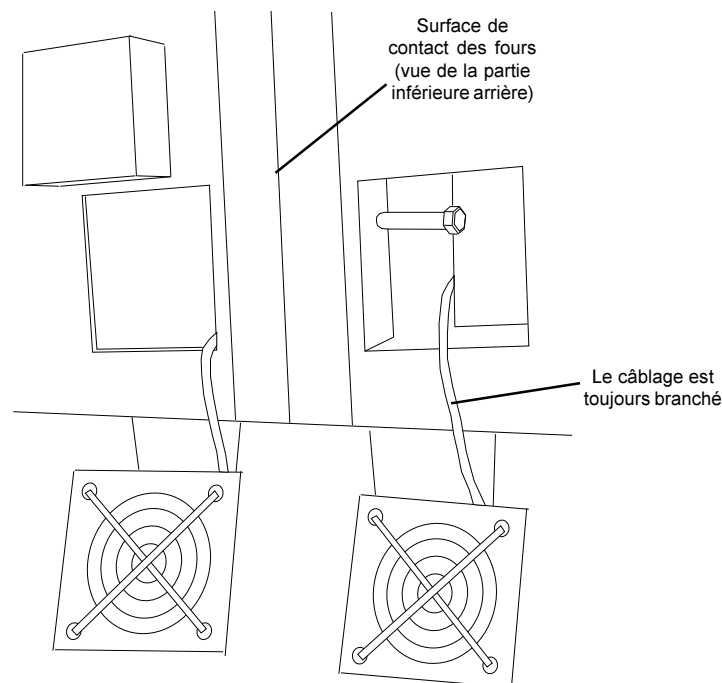
2. Vérifiez si les vis de retenue des conduits d'air du haut et du bas se trouvent *sur chaque surface de contact* des parties du four (figure 2-7). Les vis empêchent les conduits d'air de glisser entre les parties du four.
3. Enlevez les ventilateurs axiaux arrière adjacents aux surfaces de contact des fours. Il est possible de déconnecter complètement les ventilateurs ou de les laisser pendre par leur câblage (figure 2-8).

Figure 2-7
Mise en place et alignement du four



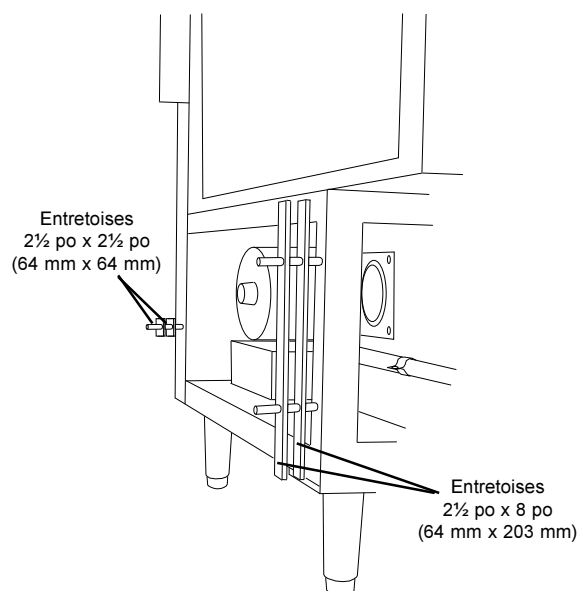
REMARQUE : La garniture d'étanchéité peut être prémontée sur n'importe quelle cavité de four.

Figure 2-8 - Dépose du ventilateur



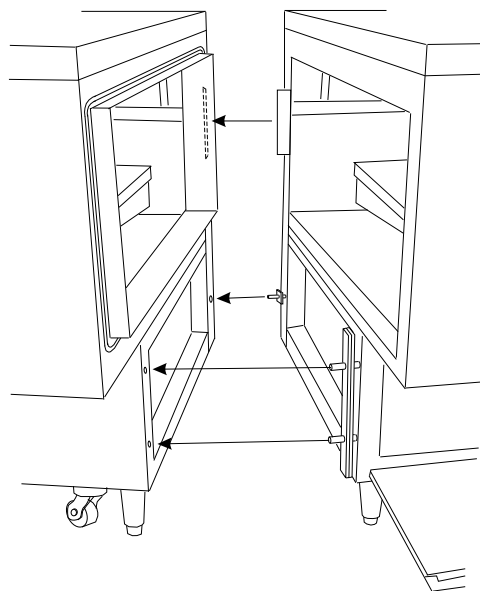
- Insérez trois des boulons de $\frac{1}{2}$ po x 5 po, fournis dans la trousse d'installation, dans les trous du bâti du four droit, pour qu'ils dépassent la paroi extérieure (figure 2-9). Faites ensuite glisser les entretoises sur les boulons.

Figure 2-9 - Boulons et entretoises



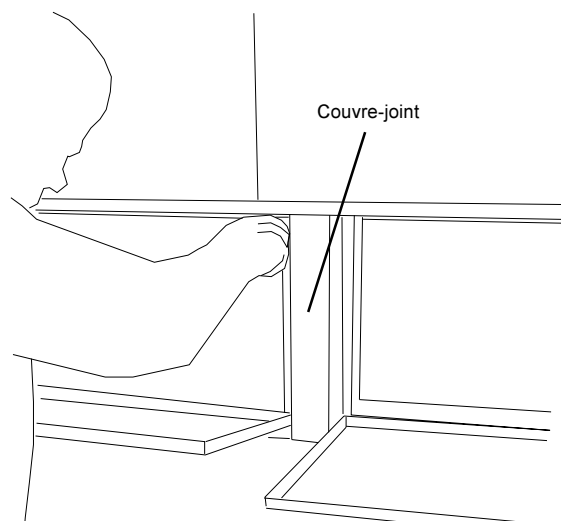
- Appuyez les fours l'un contre l'autre. Vérifiez si les boulons de montage, la plaque de centrage et la garniture d'étanchéité sont tous alignés correctement. Reportez-vous à la figure 2-10.
- Serrez tous les boulons de fixation. Vérifiez si les bords des surfaces de contact des fours sont alignés correctement. S'il y a un jeu entre les dessus de four, desserrez les boulons et alignez de nouveau les fours.

Figure 2-10 – Alignement des parties du four



- Fixez le couvre-joint avant entre les deux fours (figure 2-11).
- Remplacez les ventilateurs axiaux arrière. Reportez-vous à la figure 2-8.

Figure 2-11 - Installation du couvre-joint



VI. INSTALLATION DU TRANSPORTEUR

Pour l'installation du transporteur et de la bande transporteuse, reportez-vous à l'étape A ou B, selon le cas.

A. Installation du transporteur - Tous les fours SAUF les modèles en tandem

REMARQUE

Les transporteurs à bande transporteuse divisée ne peuvent être installés qu'à partir du côté du four et avec le moteur d'entraînement.

Les transporteurs à bande transporteuse simple peuvent être insérés de n'importe quel côté du four. Si le transporteur est installé à partir du côté du four sans le moteur d'entraînement, la roue d'entraînement doit être enlevée.

Au besoin, enlevez la roue d'entraînement en desserrant la vis de pression sur le collier du transporteur (figure 2-12). Puis retirez la roue d'entraînement (figure 2-12).

1. Soulevez le transporteur et positionnez-le dans le four (figure 2-13).

Figure 2-12 - Dépose de la roue d'entraînement du transporteur

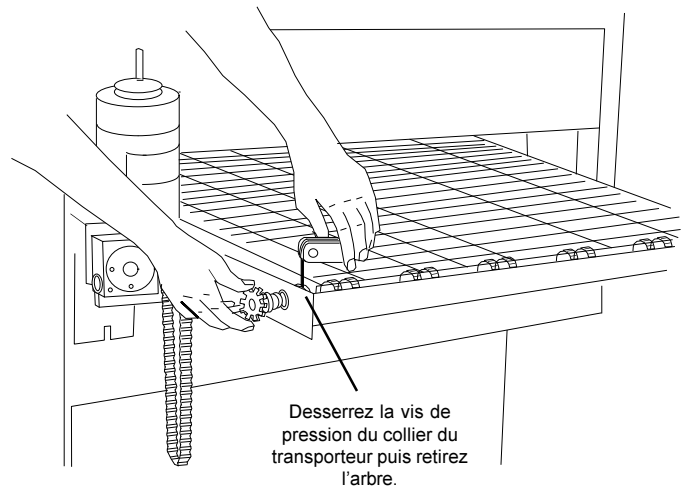
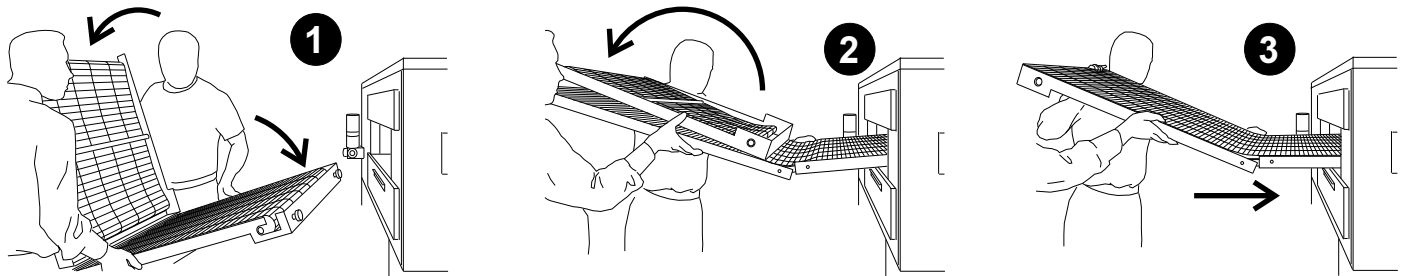


Figure 2-13 - Insertion du transporteur



2. Continuez à glisser le transporteur dans le four jusqu'à ce que le cadre dépasse de façon égale des deux côtés du four [environ 18 po (457mm)].
3. Vérifiez si les dispositifs de retenue situés au-dessous du cadre du transporteur sont fermement appuyés contre le panneau de côté (figure 2-14).

REMARQUE:

Les fours de modèle PS360EWB sont munis d'un support de retenue qui passe de part en part du cadre. Tous les autres fours sont munis de brides (figure 2-14), situées du côté du mécanisme d'entraînement à gauche du cadre seulement.

4. Une fois le transporteur correctement positionné, vérifiez si la bande transporteuse bouge librement en la tirant avec les doigts sur une distance d'environ 2 à 3 pieds (60 à 90 cm). Le transporteur doit bouger librement.
5. Si la roue d'entraînement a été enlevée lors de l'installation, remplacez-la à cette étape-ci.
6. Installez la chaîne de transmission entre la roue d'entraînement du transporteur et celle du moteur. Pour installer la chaîne, il sera nécessaire de soulever légèrement le côté du mécanisme d'entraînement du transporteur. Le moteur d'entraînement et la roue d'entraînement sont illustrés à la figure 2-12.
7. Installez le couvercle du moteur d'entraînement puis resserrez sa vis de support (sur la paroi arrière du four).
8. Vérifiez la tension de la bande transporteuse du transporteur (figure 2-15). La bande transporteuse devrait pouvoir être soulevée de 3 à 4 po (75 à 100 mm). **NE SERREZ PAS TROP LA BANDE TRANSPORTEUSE DU TRANSPORTEUR.**

REMARQUE:

Vous pouvez ajuster la tension de la bande transporteuse, au besoin, en tournant les vis de réglage du transporteur situées du côté de l'arbre porteur du transporteur (à droite). Reportez-vous à la figure 2-15.

Figure 2-14 - Dispositifs de retenue du transporteur

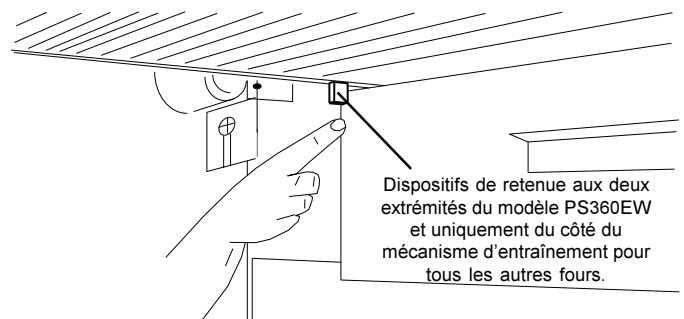
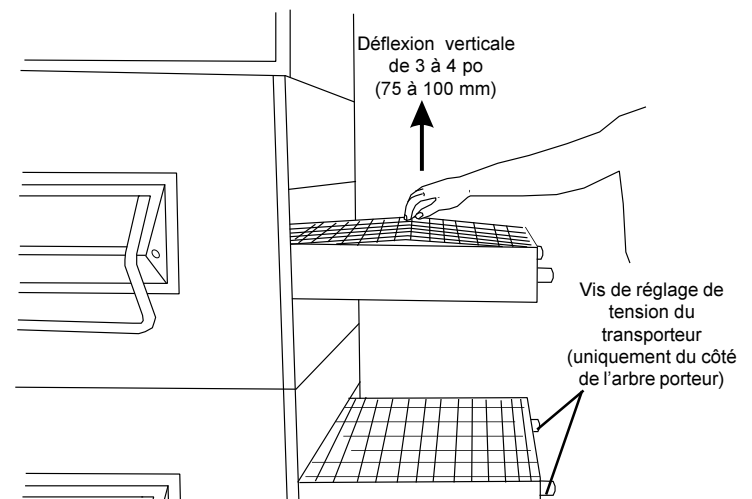


Figure 2-15 - Vérification de la tension du transporteur



B. Installation du transporteur et de la bande transporteuse**NOTE**

Pour les fours autres que les fours tandem, passez à la rubrique Assemblage final de la section VII.

1. Insérez le cadre du transporteur à l'intérieur du four comme suit :

Faites glisser les sections à charnière du cadre du transporteur par chacune des extrémités du four jusqu'à ce qu'elles butent l'une contre l'autre à la hauteur de l'ouverture entre les deux sections du four. Reportez-vous à la figure 2-17.

IMPORTANT

Assurez-vous que la section du cadre qui doit se trouver du côté du mécanisme d'entraînement est du même côté du four que le moteur d'entraînement du transporteur.

2. Faites glisser la bande transporteuse du transporteur à travers les tiges du support situées sous le cadre, et faites-la passer par le four. Passez ensuite la main par la fenêtre du four et tirez l'extrémité libre de la bande transporteuse de part en part du four pour qu'elle repose sur le dessus du cadre du transporteur.

Après avoir passé la bande transporteuse de part en part du four, vérifiez ce qui suit :

- Les mailles de la bande transporteuse doivent être orientées comme le démontre la figure 2-18.
- La surface lisse de la bande transporteuse doit se trouver vers le HAUT.

3. Assemblez les maillons intérieurs. Vérifiez si les maillons sont orientés comme le démontre la figure 2-18.

4. Assemblez les maillons extérieurs. Notez que les maillons extérieurs ont un côté gauche et un côté droit. Le maillon de droite à un crochet ouvert vous faisant face (figure 2-19).

5. Vérifiez la liberté de mouvement de la bande transporteuse du transporteur en la tirant avec les doigts sur une distance d'environ 2 à 3 pi (60 à 90 cm). Le transporteur doit bouger librement.

6. Vérifiez la tension de la bande transporteuse du transporteur comme le démontre la figure 2-15 (à la page précédente). La bande transporteuse doit pouvoir être soulevée de 3 à 4 po (75 à 100 mm). **NE SERREZ PAS TROP LA BANDE TRANSPORTEUSE.** Vous pouvez ajuster la tension de la bande transporteuse, au besoin, en tournant les vis de réglage du transporteur situées du côté de l'arbre porteur (à droite).

7. Fixez sans trop serrer le moteur d'entraînement du transporteur à la paroi latérale du four. Reportez-vous à la figure 2-12 (pour les fours munis d'un cadre standard) ou à la figure 2-20 (pour les fours munis d'un cadre pour fortes charges).

8. Montez la chaîne d'entraînement du transporteur sur le moteur et sur la roue d'entraînement du transporteur.

9. Positionnez le moteur de manière à régler la déflexion de la chaîne d'entraînement à $\frac{3}{4}$ po (19 mm). **NE SERREZ PAS TROP LA CHAÎNE D'ENTRAÎNEMENT.** Serrez ensuite les boulons qui assujettissent le moteur.

VII. ASSEMBLAGE FINAL

1. Assemblez les panneaux latéraux et le boîtier du moteur sur le four. Ces composants sont illustrés à la figure 1-1 (page 1).

2. Faites glisser les allonges du transporteur sur les panneaux latéraux du cadre du transporteur. Assurez-vous que l'allonge et l'ouverture servant à la roue d'entraînement sont placées du côté du mécanisme d'entraînement.

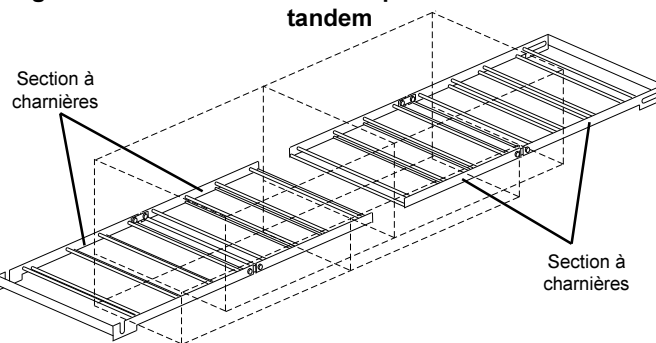
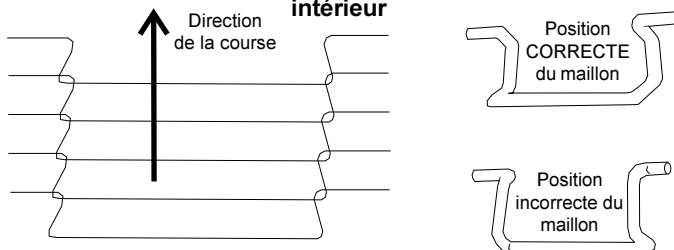
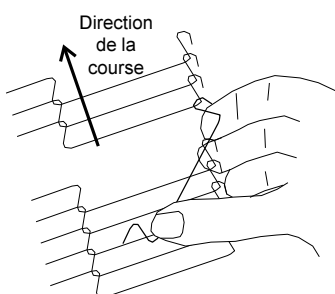
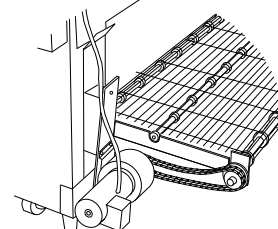
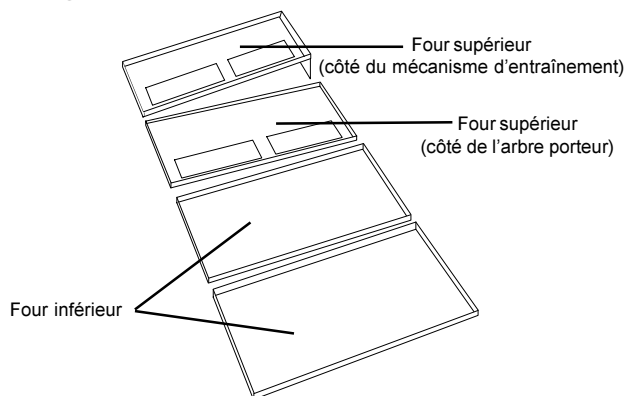
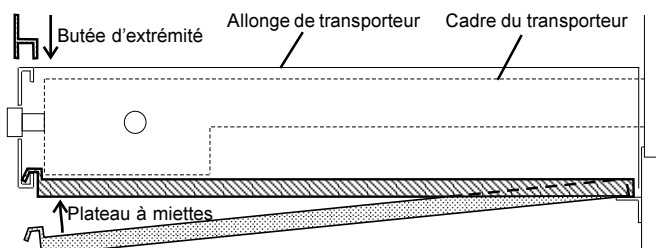
REMARQUE

Les allonges d'entraînement ne sont pas utilisées pour le modèle de four PS360EWB.

3. Reportez-vous à la figure 2-21 pour connaître la disposition des plateaux à miettes. Installez ensuite les plateaux à miettes comme le démontre la figure 2-22. Placez d'abord le bord intérieur du plateau dans le support fixé au panneau. Faites ensuite basculer le bord extérieur du plateau vers le haut puis placez-le dans son logement.

4. Appuyez la butée d'extrémité sur le bord de l'allonge du transporteur du côté d'où sortent les aliments. Reportez-vous à la figure 2-22.

5. Après avoir placé le four à l'endroit prévu, ajustez la partie inférieure des pieds, de sorte que le four soit au niveau et que les roulettes ne touchent pas au plancher.

Figure 2-17 - Installation du transporteur des modèles en tandem**Figure 2-18 - Transporteur et orientation du maillon intérieur****Figure 2-19 - Orientation du maillon extérieur****Figure 2-20 - Moteur d'entraînement pour four en tandem avec cadre de transporteur pour fortes charges****Figure 2-21 - Positions du plateau à miettes****Figure 2-22 - Plateaux à miettes, allonges et butée d'extrémité**

VIII. ALIMENTATION EN ÉLECTRICITÉ (tous les fours)

**AVERTISSEMENT**

En règle générale, le personnel du fournisseur agréé raccorde le système de ventilation et l'alimentation en électricité et en gaz, comme il a été convenu avec le consommateur. Une fois ces raccords effectués, l'installateur agréé par l'usine peut procéder à la mise en marche initiale du four.

REMARQUE : Le système d'alimentation électrique doit être conforme aux exigences de l'autorité statutaire appropriée, telle que le National Electrical Code (NEC), ANSI/NFPA70, (É.-U.); le Canadian Electrical Code, CSA C22.2; le Australian Code AG601; ou toutes autres réglementations qui s'appliquent.

REMARQUE : Les raccords d'alimentation en électricité doivent être conformes à toutes les normes électriques nationales et locales.

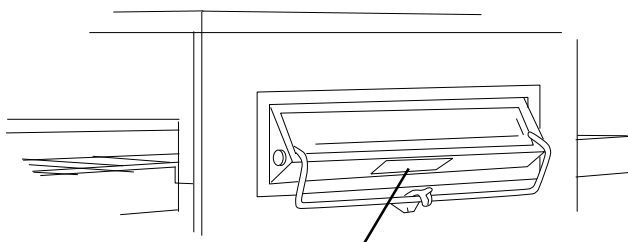
Vérifiez la plaque de série du four avant d'effectuer quelque raccord électrique que ce soit. Les raccords d'alimentation en électricité doivent respecter les éléments d'information qui se trouvent sur la plaque de série du four. L'emplacement de la plaque de série est illustré à la figure 2-23.

Un interrupteur-sectionneur à fusibles ou un disjoncteur principal (fourni par le consommateur) **DOIVENT** être installés dans le circuit électrique de chaque cavité de four. Il est recommandé d'utiliser un disjoncteur pour circuit ou pour interrupteur qui peut être verrouillé.

Les conducteurs d'alimentation doivent être en cuivre et de dimension recommandée. Reportez-vous au schéma de câblage à l'intérieur du compartiment des composants ou du compartiment de commande du four. Les spécifications électriques se trouvent sur la plaque de série du four (figure 2-23) et dans le tableau Spécifications électriques (à la page 29).

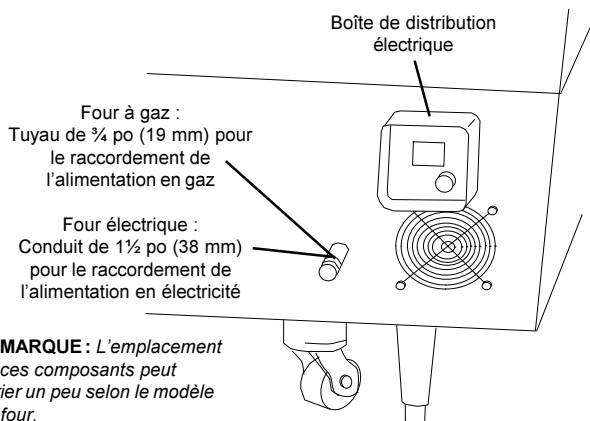
Le four doit être muni d'un câble de mise à la terre raccordé à la vis de mise à la terre située dans la boîte de distribution électrique. (La boîte de distribution électrique est illustrée à la figure 2-24.) Au besoin, demandez à l'électricien de fournir le câble de mise à la terre. *N'utilisez PAS le conduit de câblage ou d'autres tuyaux comme mises à la terre!*

Figure 2-23 - Plaque de série du four



Emplacement de la plaque de série

Figure 2-24 – Raccords électriques



REMARQUE : L'emplacement de ces composants peut varier un peu selon le modèle de four.

MISE EN GARDE

Avant d'alimenter le four, mesurez la tension de chaque tige d'entrée au point neutre. La tension prévue est d'environ 120 V. TOUT relevé de tension supérieur à 130 V indique que la tension d'alimentation est trop élevée. LA CONNEXION D'UNE TIGE D'ENTRÉE À TENSION TROP ÉLEVÉE AU FOUR ENTRAÎNE L'ANNULATION DE TOUTES LES GARANTIES. La connexion d'une tige à tension trop élevée au conducteur noir du four peut sérieusement endommager ses composants électrique et électronique.

MISE EN GARDE

NE BRANCHEZ PAS LE FIL NOIR À UNE TIGE DONT LA TENSION EST ÉLEVÉE. LA TENSION DES FILS NOIR ET BLANC NE DOIT PAS DÉPASSER 130 VAC.

A. Renseignements supplémentaires - Fours électriques

Dans le cas des fours électriques, un orifice de 1/4 po (32 mm) de diamètre dans la paroi arrière du compartiment des composants permet d'accéder aux raccords d'alimentation en électricité. L'utilisation de câbles souples pour les conducteurs d'alimentation en électricité requiert un réducteur de tension de 1/4 po (32 mm) (non inclus avec le four) pour permettre un accès sûr à la plaque à bornes qui distribue l'énergie électrique au four.

B. Renseignements supplémentaires - Fours à gaz

Tous les raccords d'alimentation en électricité des four à gaz se font au moyen de la boîte de distribution électrique à l'arrière du four (figure 2-24). Les lignes électriques sont ensuite connectées aux circuits du four par l'intermédiaire de l'interrupteur de sécurité du panneau de service du compartiment des composants. Cet interrupteur coupe l'alimentation en courant électrique du four lorsque le panneau de service du compartiment des composants est ouvert.

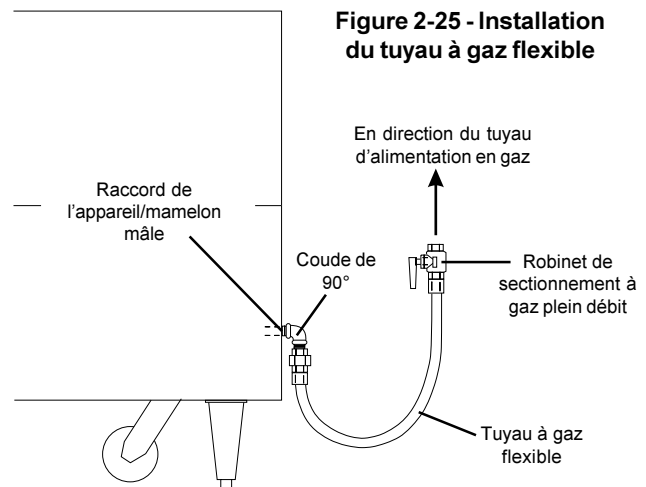
C. Renseignements supplémentaires - Fours munis de transformateurs externes (modèles d'exportation)

Positionnez le transformateur sur la paroi arrière du four, du même côté que le compartiment de commande, à l'endroit où le dégagement est suffisant. Fixez-le à l'aide du matériel de fixation fourni.

D. Connexion

Reportez-vous au schéma de câblage à l'intérieur du compartiment des composants ou du compartiment de commande du four pour déterminer quels sont les raccords appropriés pour les lignes d'alimentation électrique. Branchez l'alimentation comme le démontre le schéma de câblage. Assurez-vous de connecter le fil de terre à la vis de mise à la terre du four située dans la boîte de distribution électrique à l'arrière du four.

Figure 2-25 - Installation du tuyau à gaz flexible



IX. ALIMENTATION EN GAZ (fours à gaz seulement)

MISE EN GARDE

DURANT L'ESSAI DE PRESSION, PRENEZ NOTE DE CE QUI SUIT :

1. Le four et son robinet de sectionnement doivent être débranchés du système de tuyauterie d'alimentation en gaz durant tout essai de pression si la pression d'essai est supérieure à ½ psi (3,45 kPa).

2. L'alimentation en gaz doit être coupée en fermant le robinet de sectionnement du four à la main durant tout essai de pression du système de tuyauterie d'alimentation en gaz si la pression d'essai est égale ou inférieure à ½ psi (3,45 kPa).

3. Si la pression de la canalisation est supérieure à 14 po C.E. (35 mb), un régulateur séparé DOIT être installé sur la canalisation EN AMONT du robinet de sectionnement individuel du four.

AVERTISSEMENT : Afin d'éviter d'endommager le régulateur de vanne de commande durant l'admission de gaz initiale, il est très important d'ouvrir le robinet de sectionnement à la main très lentement.

Après l'admission de gaz initiale, le robinet de sectionnement manuel doit demeurer ouvert sauf lors de l'entretien de l'appareil ou des essais de pression (voir les étapes expliquées plus haut).

A. Recommandations concernant le gaz

Il est **FORTEMENT RECOMMANDÉ** de tenir compte des normes suivantes. Ne pas respecter ces recommandations, peut avoir une incidence sur la qualité de cuisson du four.

Compteur de gaz

- Une ou deux cavités : 750 m³/heure
- Trois ou quatre cavités : 1200 m³/heure

Tuyau de gaz

- TUYAU SPÉCIALEMENT CONÇU pour relier le compteur de gaz au four
- Tuyau pour gaz naturel de 50,8 mm
- Tuyau pour propane de 38,1 mm
- Longueur maximum : 61 m. Chaque coude de 90° représente 2,13 m de tuyau.

B. Raccordement

Vérifiez les exigences du four en matière d'alimentation en gaz avant d'effectuer le raccordement. Ces exigences sont énumérées sur la plaque de série du four (figure 2-23) et dans le tableau Spécifications des orifices de gaz et de pression (à la page 29 de ce manuel).

Consultez la plaque de série pour déterminer le type de gaz (propane ou naturel) qui sera utilisé pour alimenter le four.

Avant de raccorder la canalisation de gaz, reportez-vous aux directives comprises avec le tuyau à gaz (dans la trousse d'installation). Une méthode de raccordement de la canalisation de gaz est illustrée à la figure 2-25; cependant, il est obligatoire de se conformer aux normes et aux règlements qui s'appliquent.

Les relevés relatifs à la pression d'admission de gaz, à la pression de gaz régulée et à la pression de gaz du pilote peuvent être pris à l'aide d'un tube manomètre en U aux points de prise de pression illustrés à la figure

2-26.

REMARQUE

L'installation doit être conforme aux normes locales ou, en l'absence de telles normes, au National Fuel Gas Code, ANSI Z223.1- édition la plus récente.

En Australie, l'installation doit se conformer au AGA Code AG601 et à toutes les exigences de l'autorité statutaire appropriée.

CANADA :

Norme d'installation du gaz naturel CAN/CGA-B 149.1

Norme d'installation du gaz propane CAN/CGA-B 149.2

Il existe certaines exigences de sécurité pour l'installation de fours à gaz; reportez-vous au début de la section 2 pour une liste des normes d'installation. Comme le four est muni de roulettes, le raccord de la canalisation de gaz doit se faire à l'aide d'un connecteur conforme au Standard for Connectors for Movable Gas Appliances, ANSI Z21.69 (aux É.-U.) ou, le cas échéant, au Standard for Connectors for Movable Gas Appliances, CAN/CGA-6.16 (au Canada). Il doit également comporter un dispositif de coupure rapide conforme aux normes du Standard for Quick-Disconnect Devices for Use With Gas Fuel, ANSI Z21.41 (aux É.-U.) ou, le cas échéant, au Quick-Disconnect Devices for Use With Gas Fuel, CAN1-6.9 (au Canada).

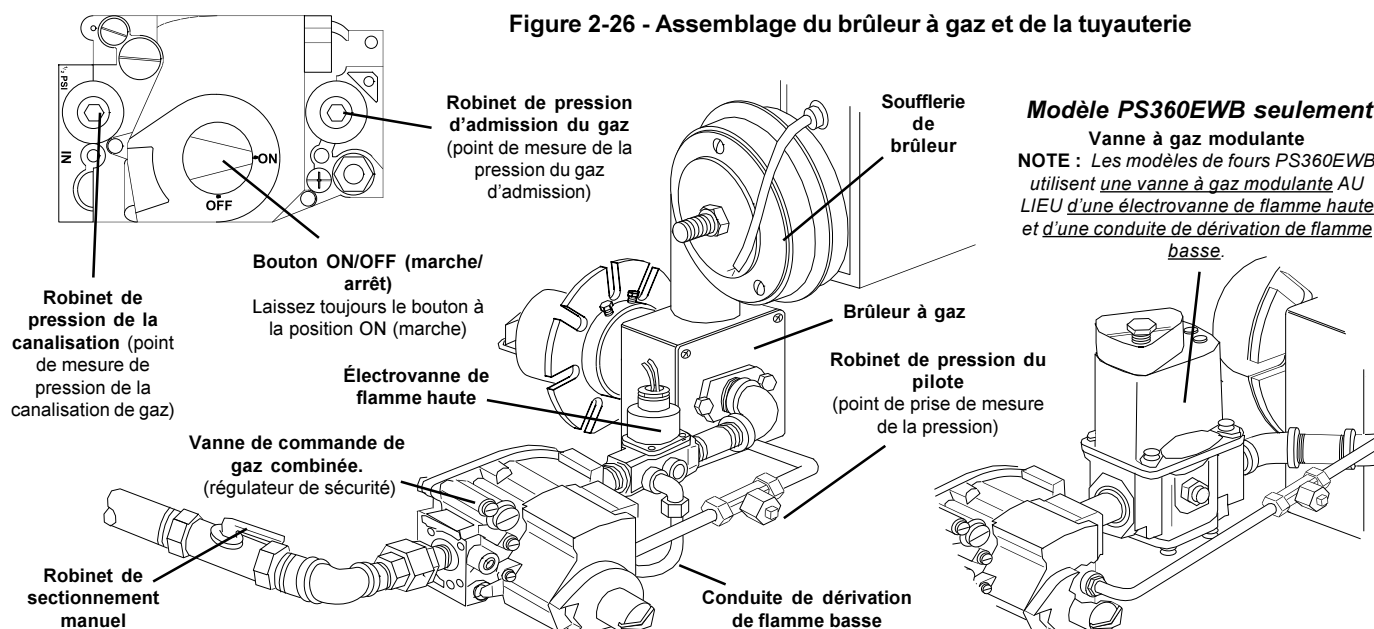
C. Conversion du gaz

Lorsque les normes locales et nationales le permettent, il est possible de convertir le four pour qu'il soit en mesure d'utiliser le gaz propane au lieu du gaz naturel, et vice versa. Utilisez la trousse de conversion du gaz de Middleby Marshall qui convient au modèle du four.

**AVERTISSEMENT**

Toutes les installations, les conversions, et le travail d'entretien doivent être effectués par un technicien agréé.

Figure 2-26 - Assemblage du brûleur à gaz et de la tuyauterie



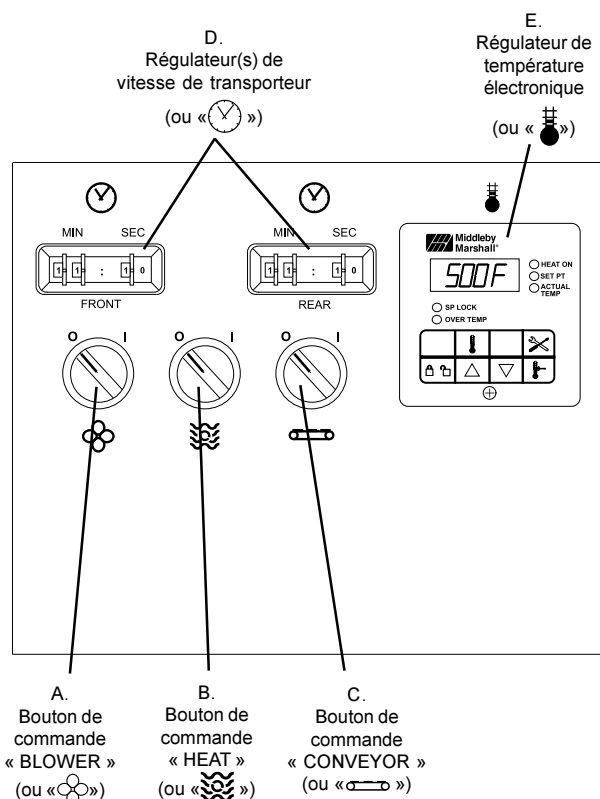
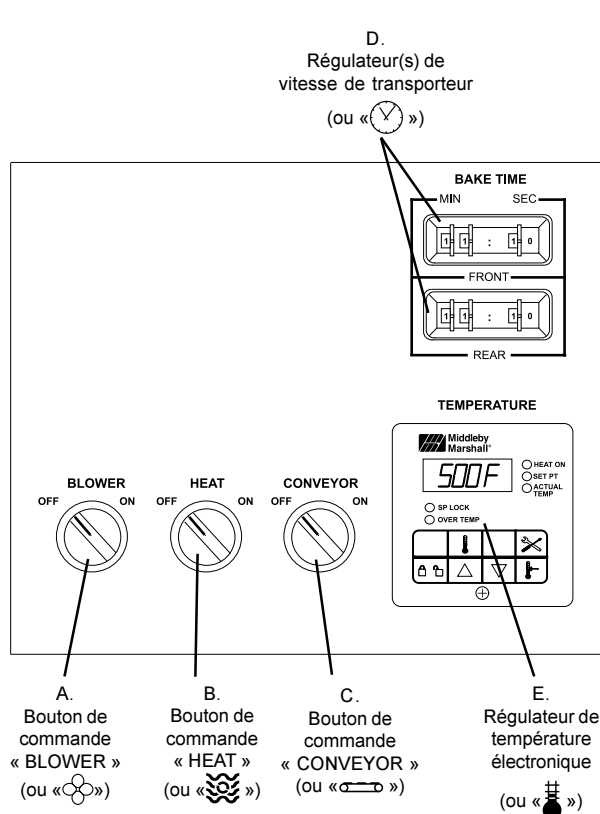
SECTION 3 - FONCTIONNEMENT

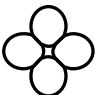

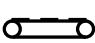


I. EMBLACEMENT ET DESCRIPTION DES COMMANDES

Fig. 3-1 - Tableau de commande

Tous les fours sauf les modèles PS360EWB et PS360WB70

Modèles PS360EWB et PS360WB70 seulement



- A.**  **Bouton de commande BLOWER (ventilation) :** Met les souffleries et les ventilateurs de refroidissement en fonction ou hors fonction. La commande HEAT (chaleur) ne fonctionne que si le bouton de commande BLOWER est à la position ON.
- B.**  **Bouton de commande HEAT (chaleur) :** Permet au brûleur à gaz de s'allumer. La mise en fonction du brûleur à gaz est déterminée par le régulateur de température électronique.
- C.**  **Bouton de commande CONVEYOR (transporteur) :** Met le moteur d'entraînement du transporteur en fonction ou hors fonction. Dans le cas des fours en tandem ou des fours en tandem doubles, cette commande ne se trouve que sur la(les) section(s) gauche(s) du four.
- D.**  **Régulateur de vitesse de transporteur :** Règle et affiche le temps de cuisson. Les fours munis d'une bande transporteuse simple ont un seul régulateur. Les fours munis d'une bande transporteuse divisée ont un régulateur pour chaque bande, identifiés par une étiquette FRONT (avant) et BACK (arrière.) Dans le cas des fours en tandem ou des fours en tandem doubles, ce régulateur ne se trouve que sur la(les) section(s) gauche(s) du four.
- E.**  **Régulateur de température électronique :** Surveille constamment la température du four. Les réglages du régulateur de température électronique commande la mise en fonction du brûleur à gaz.


NON ILLUSTRÉ :

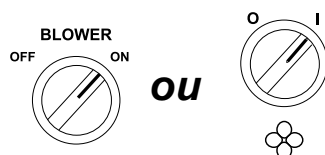
- F. Interrupteur de sécurité du panneau de service du compartiment des composants :** Interrompt l'alimentation en électricité des commandes et des souffleries lorsque le panneau de service du compartiment des composants est ouvert. Seul le personnel de service agréé peut ouvrir le panneau.


II. FONCTIONNEMENT NORMAL - PAS-À-PAS

A. PROCÉDURES QUOTIDIENNES DE MISE EN MARCHÉ

- Vérifiez si le disjoncteur ou le sectionneur à fusibles est à la position ON. Si le four est muni d'une fenêtre, vérifiez si la fenêtre est fermée.

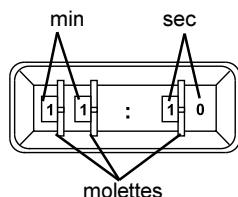
- Tournez le bouton de commande « BLOWER » (ou ) à la position « ON » (ou « I »).



- Tournez le bouton de commande « CONVEYOR » (ou ) à la position « ON » (ou « I »).

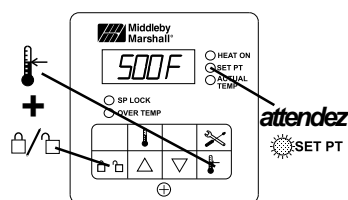


- Au besoin, ajustez le réglage de vitesse du transporteur en tournant les trois molettes pour changer le temps de cuisson affiché.

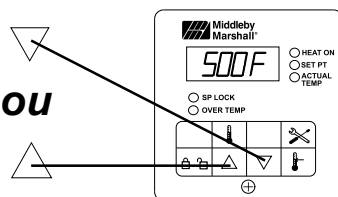



- Au besoin, ajustez le régulateur de température à la température désirée.

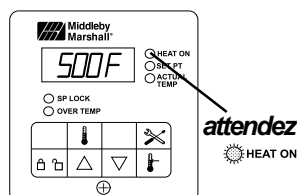
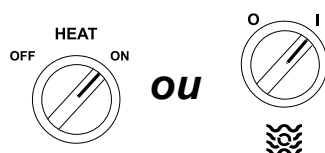
- Appuyez en même temps sur les touches de point de consigne et de déverrouillage. Attendez que le témoin « SET PT » (point de consigne) s'allume.



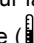
- Appuyez sur la flèche orientée vers le haut et la flèche orientée vers le bas pour régler le point de consigne.

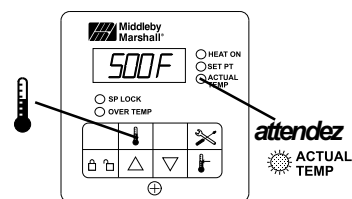


- Tournez le bouton de commande « HEAT » (ou ) à la position « ON » (ou « I »), et attendez que le témoin « HEAT ON » (brûleur en marche) s'allume.



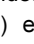

- Attendez que le four se réchauffe jusqu'au point de consigne de température. Les points de consigne plus élevés demandent une attente plus longue. Le four peut atteindre une température de 500 °F (232 °C) dans un délai de 5 minutes.

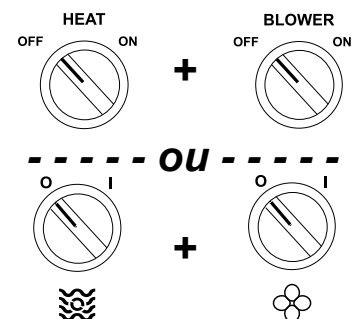
- (Facultatif) Appuyez sur la touche de température  pour afficher la température actuelle, et attendez que le témoin « ACTUAL TEMP » (température actuelle) s'allume. Cette fonction vous permet de surveiller la température du four alors qu'elle augmente pour atteindre le point de consigne.

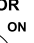


- Allouez une période de préchauffage de 10 minutes après avoir atteint le point de consigne de température.

B. PROCÉDURES QUOTIDIENNES DE MISE EN L'ARRÊT

- Tournez les commandes « HEAT » (ou ) et « BLOWER » (ou ) à la position « OFF » (ou « O »). Notez que les souffleries demeureront en opération jusqu'à ce que le four ait refroidi à une température inférieure à 200 °F (93 °C).



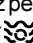

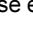
- Assurez-vous qu'il n'y a pas de produits sur le transporteur à l'intérieur du four. Tournez le commutateur « CONVEYOR » (ou ) à la position « OFF » (ou « O »).



- Si le four est muni d'une fenêtre, ouvrez-la pour permettre au four de refroidir plus rapidement.

- Après que le four a refroidi et que les souffleries se sont éteintes, mettez le disjoncteur/sectionneur à fusibles à la position OFF.

IMPORTANT

Sur les fours à gaz, si le témoin « HEAT ON » (Brûleur en marche) ne s'allume pas, OU si le four ne chauffe pas, le brûleur à gaz peut ne pas s'être allumé. Mettez les commandes « HEAT » () , « BLOWER » () et « CONVEYOR » () à la position « OFF » (« O »). Attendez AU MOINS CINQ MINUTES avant de remettre le four en marche. Répétez la procédure quotidienne de mise en marche.

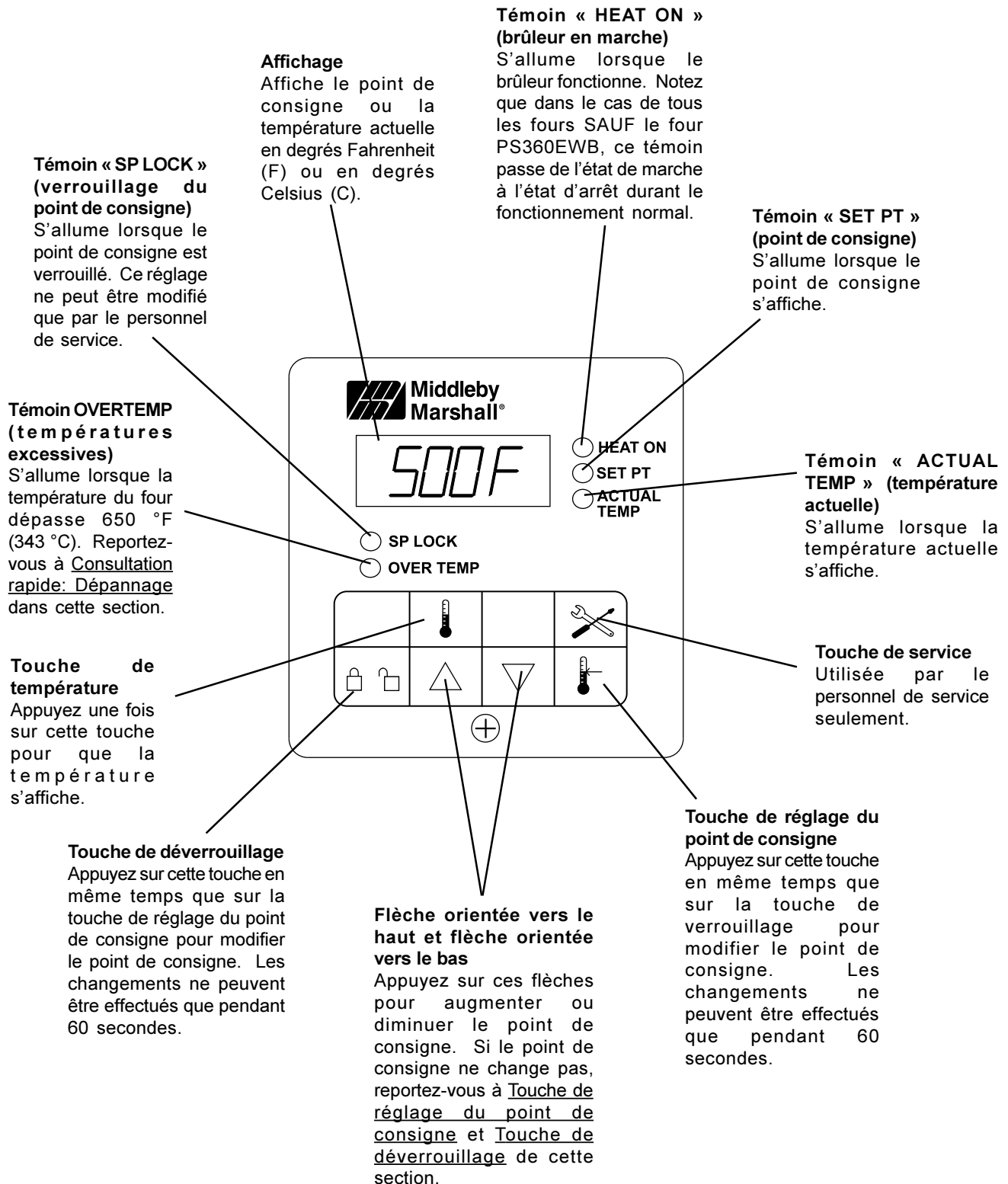
MISE EN GARDE

En cas de panne d'électricité, mettez toutes les commandes à la position « OFF » (ou « O »), ouvrez la fenêtre du four, puis retirez les aliments du four. Après le rétablissement du courant, suivez la procédure de mise en marche habituelle.

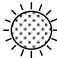



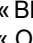
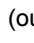
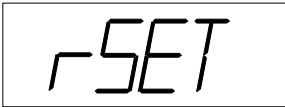

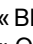
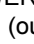
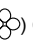

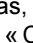

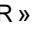
S'il n'est pas alimenté en électricité le brûleur ne fonctionnera pas et le gaz ne s'écoulera pas jusqu'au brûleur. Il est déconseillé de tenter de faire fonctionner le four durant une panne d'électricité.

III. CONSULTATION RAPIDE : RÉGULATEUR DE TEMPÉRATURE ÉLECTRONIQUE

FRANÇAIS



V. CONSULTATION RAPIDE : DÉPANNAGE

SYMPTÔME	PROBLÈME	SOLUTION
 OVERTEMP <i>Le témoin est allumé, les aliments ne sont pas suffisamment cuits</i> <i>Le four ne s'allume pas du tout</i> <i>Le four s'éteint peu de temps après avoir été allumé</i>	<p>La température du four a dépassé 343 °C (650 °F) et le brûleur s'est éteint automatiquement.</p> <p>Il se peut que le four ne soit pas alimenté en électricité ou que les commandes ne soient pas réglées correctement.</p> <p>Le brûleur à gaz ne s'est pas allumé en moins de 90 secondes après que la commande « HEAT » (ou ) a été mise à la position « ON » (ou « I »). Cette opération déclenche automatiquement le mode de verrouillage de sécurité.</p>	<ul style="list-style-type: none"> Reportez-vous à la rubrique <u>Procédures quotidiennes de mise en arrêt</u> contenues dans cette section pour éteindre le four. Afin de déterminer et de corriger la cause du problème et d'éviter d'endommager le four, contactez votre technicien agréé par Middleby Marshall. Vérifiez si le disjoncteur/sectionneur à fusibles est sous tension. Vérifiez si la commande « BLOWER » (ou ) est à la position « ON » (ou « I »). Le brûleur ne peut être mis en fonction si les souffleries ne fonctionnent pas. Mettez les commandes « HEAT » (ou ) , « BLOWER » (ou ) , et « CONVEYOR » (ou ) à la position « OFF » (ou « O »). Attendez AU MOINS CINQ MINUTES avant de remettre le four en marche. Répétez la procédure quotidienne de mise en marche.
 <i>apparaît sur l'afficheur, le four ne chauffe pas</i> <i>Le four ne chauffe pas</i>	<p>Le four n'a pas atteint 93 °C (200 °F) moins de 15 minutes après la mise en marche, puis il a cessé de chauffer.</p> <p>Il se peut que les commandes soient réglées de façon incorrecte.</p>	<ul style="list-style-type: none"> Mettez les commandes « HEAT » (ou ) , « BLOWER » (ou ) , et « CONVEYOR » (ou ) à la position « OFF » (ou « O »). Attendez AU MOINS CINQ MINUTES avant de remettre le four en marche. Répétez la procédure quotidienne de mise en marche. Vérifiez si le point de consigne est correctement réglé. Vérifiez si les commandes « BLOWER » () et « HEAT » () sont à la position « ON » (« I »). Si le four ne se réchauffe toujours pas, mettez les commandes « HEAT » () , « BLOWER » () et « CONVEYOR » () à la position « OFF » (« O »). Attendez AU MOINS CINQ MINUTES avant de remettre le four en marche. Répétez la procédure quotidienne de mise en marche. Vérifiez si le point de consigne est au-dessus de 93 °C (200 °F).
<i>Le four fonctionne mais peu ou pas d'air est soufflé par les conduits d'air.</i> <i>Le transporteur se déplace par mouvement saccadé ou ne se déplace pas du tout</i>	<p>Il se peut que les conduits d'air aient été remontés de façon incorrecte après le nettoyage.</p> <p>Il se peut que le transporteur soit coincé par un objet dans le four ou que la tension de la bande transporteuse ou de la chaîne d'entraînement du transporteur soient incorrectes.</p>	<ul style="list-style-type: none"> Mettez le four hors fonction et laissez-le refroidir. Coupez l'alimentation en électricité du four. Reportez-vous à la section 4, <u>Entretien</u>, pour connaître les directives concernant le réassemblage des conduits d'air. Mettez le four hors fonction et laissez-le refroidir. Coupez l'alimentation en électricité du four. Vérifiez si le transporteur est coincé par un objet à l'intérieur du four. Reportez-vous à la section 4, <u>Entretien</u>, pour connaître la marche à suivre pour vérifier la tension du transporteur et de la chaîne d'entraînement.
<i>Les aliments sont trop cuits ou pas assez cuits.</i>	<p>Il se peut que les commandes soient réglées de façon incorrecte.</p>	<ul style="list-style-type: none"> Vérifiez si la température de consigne et les réglages du temps de cuisson sont corrects.

SI CES MESURES NE PEUVENT RÉSOUDRE LE PROBLÈME, CONTACTEZ VOTRE TECHNICIEN AGRÉÉ PAR MIDDLEBY MARSHALL. UN RÉPERTOIRE DE CENTRES DE SERVICE EST FOURNI AVEC VOTRE FOUR.

SECTION 4 - ENTRETIEN

AVERTISSEMENT

Avant d'effectuer QUELQUE tâche de nettoyage ou d'entretien QUE CE SOIT sur le four, effectuez la procédure suivante :

1. Éteignez le four et laissez-le refroidir. Ne procédez PAS à l'entretien du four s'il est chaud.
2. Mettez le(s) disjoncteur(s) de l'alimentation en électricité hors tension et débranchez l'alimentation en électricité du four.
3. S'il est nécessaire de déplacer le four pour le nettoyer ou pour procéder à son entretien, démontez le raccordement d'alimentation en gaz avant de déplacer le four.

Une fois le nettoyage et l'entretien terminés :

1. Si le four a été déplacé pour l'entretien, retournez-le à son emplacement initial. Ajustez les pieds de sorte qu'ils reposent adéquatement sur le plancher.
2. Rebranchez l'alimentation en gaz.
3. Rebranchez l'alimentation en électricité.
4. Mettez le robinet de sectionnement à gaz plein débit en marche. Vérifiez l'étanchéité des raccords de canalisation de gaz à l'aide des substances d'essai d'étanchéité approuvées ou de mousse de savon épaisse.
5. Mettez le(s) disjoncteur(s) d'alimentation en électricité en fonction.
6. Effectuez la procédure de mise en marche normale.

AVERTISSEMENT

Au contact de ce four, vous risquez des blessures causées par les pièces mobiles ou par un choc électrique. Débranchez l'alimentation en électricité AVANT de commencer le démontage, le nettoyage ou l'entretien d'un four. Ne démontez ou ne nettoyez jamais un four pendant que la commande BLOWER ou tout autre circuit du four est sous tension.

MISE EN GARDE

N'utilisez JAMAIS de boyau d'arrosage ou d'équipement de nettoyage à la vapeur sous pression pour nettoyer le four. Pour éviter de détremper l'isolant du four, n'utilisez PAS de quantités excessives d'eau. N'utilisez PAS de nettoyant caustique pour four car il pourrait endommager les surfaces aluminisées de la chambre de cuisson.

REMARQUE

TOUTES les pièces de rechange exigeant l'accès à l'intérieur du four doivent être remplacées SEULEMENT par un technicien agréé par Middleby Marshall.

REMARQUE

Il est fortement recommandé que les procédures d'entretien trimestrielle et semestrielle soient effectuées SEULEMENT par un technicien agréé par Middleby Marshall.

I. ENTRETIEN - QUOTIDIEN

- A. Vérifiez si le four est froid et si l'alimentation en électricité est débranchée, comme le décrit l'avertissement de la page 44.
- B. Nettoyez l'intérieur du four avec un linge et un détergent doux.
- C. Nettoyez TOUTES les grilles du four et les ouvertures de ventilation avec une brosse de nylon rigide. Reportez-vous aux figures 4-1, 4-2, et 4-3 pour connaître l'emplacement des grilles et des ouvertures de ventilations.
- D. Vérifiez si TOUS les ventilateurs fonctionnent adéquatement.

MISE EN GARDE

Un ventilateur qui ne fonctionne par correctement doit être remplacé IMMÉDIATEMENT. Les composants internes du four peuvent être sérieusement endommagés si le four fonctionne sans ventilation adéquate.

- E. Nettoyez les bandes transporteuses à l'aide d'une brosse de nylon rigide. Il est plus facile d'accomplir cette tâche si vous laissez rouler le transporteur alors que vous êtes debout du côté d'où sortent les aliments. Balayez ensuite les miettes pendant que le transporteur se déplace.
- F. Retirez et nettoyez les plateaux à miettes. Assurez-vous de replacer les plateaux dans leur position initiale car ils NE sont PAS identiques. Reportez-vous aux dessins de la page 10 dans la section Installation.
- G. FOURS ÉQUIPÉS DE FENÊTRES SEULEMENT : Nettoyez la fenêtre sans la démonter.

Figure 4-1 - Emplacement des ventilateurs et des conduits d'aération :

Tous les fours **sauf** les modèles PS360EWB et PS360WB70

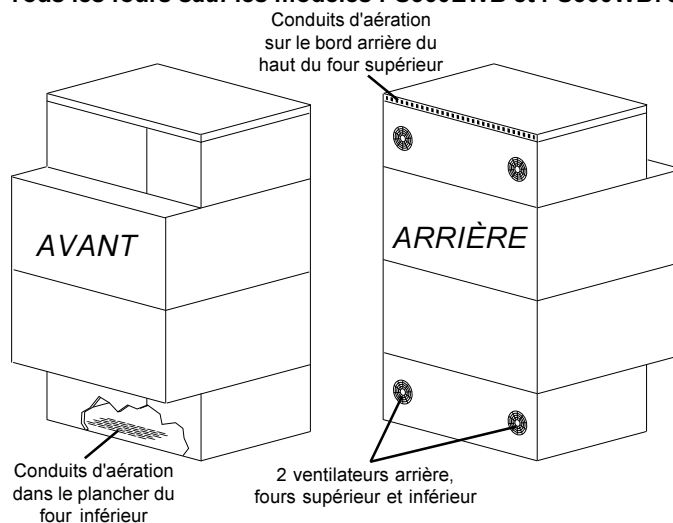


Figure 4-2 - Emplacement des ventilateurs et des conduits d'aération : modèle PS360EWB

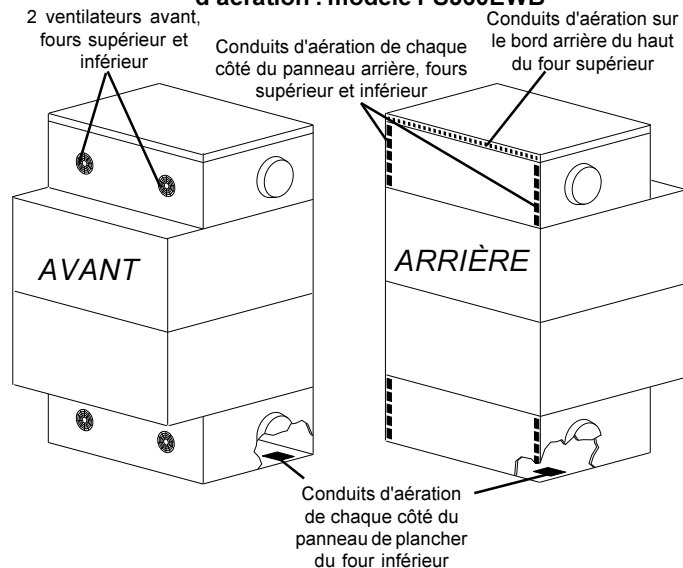
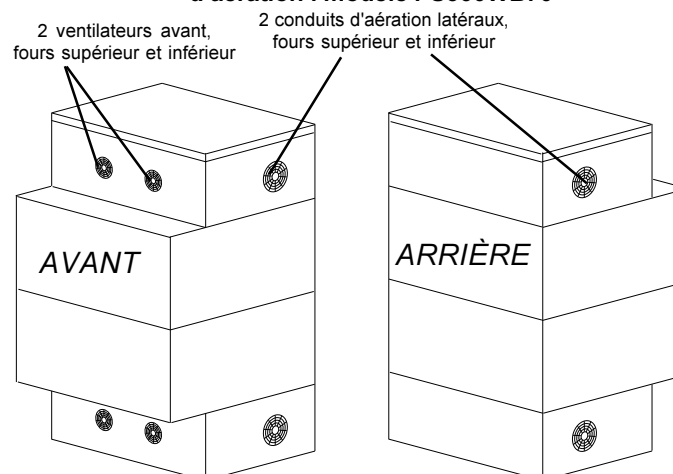


Figure 4-3 - Emplacement des ventilateurs et des conduits d'aération : modèle PS360WB70



II. ENTRETIEN - MENSUEL

REMARQUE

Lors de la dépose du transporteur, reportez-vous aux dessins des pages 36 et 37 dans la section *Installation*.

- Vérifiez si le four est froid et si l'alimentation est débranchée, comme le décrit l'avertissement de la page 44.
- Enlevez le protecteur du moteur d'entraînement et l'allonge de transporteur du four. Dégagez la chaîne de la roue d'entraînement sur l'arbre d'entraînement du transporteur.
- Faites glisser le transporteur hors du four.

REMARQUE

Les transporteurs à bande transporteuse divisée ne peuvent être enlevés qu'à partir du côté du four avec le moteur d'entraînement.

Les bandes transporteuse simples peuvent être enlevées de n'importe quel côté du four. Si la bande transporteuse est enlevée à partir du côté du four sans le moteur d'entraînement, la roue d'entraînement doit également être enlevée.

Pour enlever la roue d'entraînement (au besoin), desserrez la vis de pression sur le collier du transporteur comme le démontre la figure 2-12 (à la page 36). Puis retirez la roue d'entraînement.

- Enlevez les panneaux latéraux du four. Les panneaux latéraux sont illustrés à la figure 1-1, à la page 28 de ce manuel.
- Faites glisser les conduits d'air et les plaques de protection hors du four (figure 4-4). À MESURE QUE CHAQUE CONDUIT OU QUE CHAQUE PLAQUE EST ENLEVÉE, INSCRIVEZ UN « CODE D'EMPLACEMENT » AVEC UN REPÈRE afin de vous assurer que la réinstallation sera faite correctement.

Exemples de repère :

(Rangée du haut) T1 T2 T3 T4 T5 T6

(Rangée du bas) B1 B2 B3 B4 B5 B6

- Démontez les conduits d'air comme le démontre la figure 4-5. À MESURE QUE CHAQUE DOIGT EST DÉMONTÉ, INSCRIVEZ LE « CODE D'EMPLACEMENT » DU CONDUIT SUR CHACUNE DE SES TROIS PIÈCES. Ceci vous aidera à remonter les conduits d'air correctement.

MISE EN GARDE

Si les conduits d'air sont remontés de façon incorrecte, la cuisson sera affectée.

- Nettoyez les composants du conduit d'air et l'intérieur de la chambre de cuisson à l'aide d'un aspirateur et d'un linge humide. Reportez-vous aux avertissements encadrés de la page 44 pour connaître les précautions à prendre lors du nettoyage.
- Remontez les conduits d'air. Remplacez-les ensuite dans le four en vous guidant sur le « code d'emplacement ».
- Remontez les panneaux latéraux sur le four.
- Remontez le transporteur dans le four. Si la roue d'entraînement a été enlevée lors de l'installation du transporteur, remplacez-la à cette étape-ci.
- Fixez la chaîne d'entraînement.
- Vérifiez la tension de la bande transporteuse du transporteur comme le démontre la figure 2-15 (à la page 36). La bande transporteuse devrait pouvoir être soulevée de 3 à 4 po (75-100 mm). NE SERREZ PAS TROP LA BANDE TRANSPORTEUSE DU TRANSPORTEUR. Au besoin, vous pouvez ajuster la tension de la bande transporteuse en tournant les vis de réglage du transporteur situées du côté de l'arbre porteur du transporteur (à droite).
- Remontez le protecteur du moteur d'entraînement et les allonges de transporteur.

Figure 4-4 - Dépose des conduits d'air et des plaques

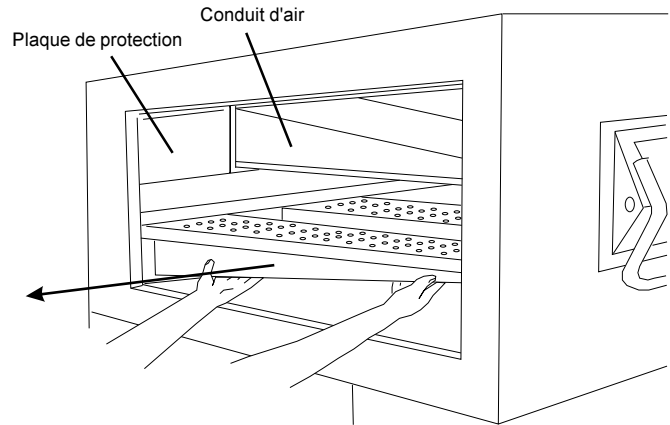
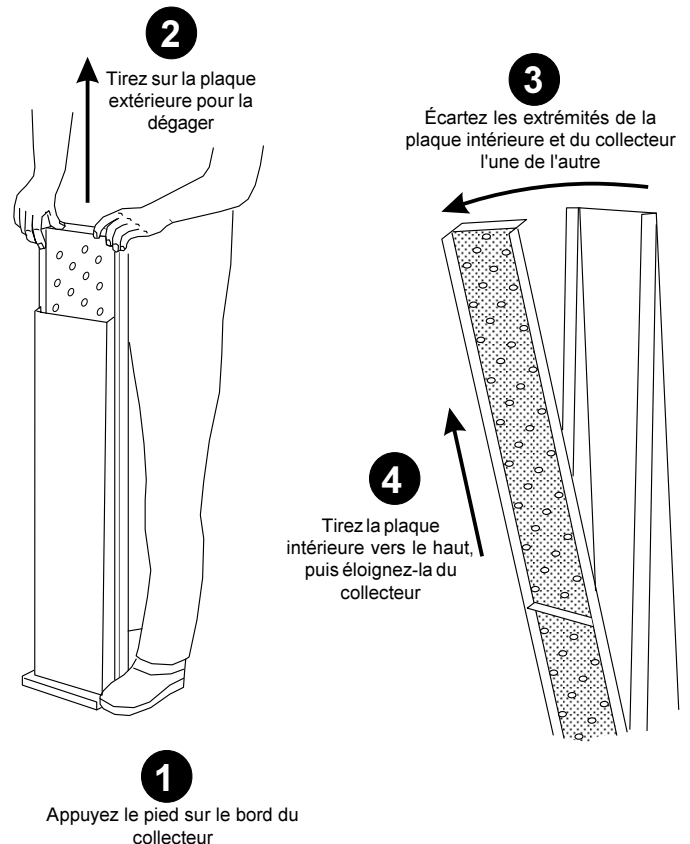
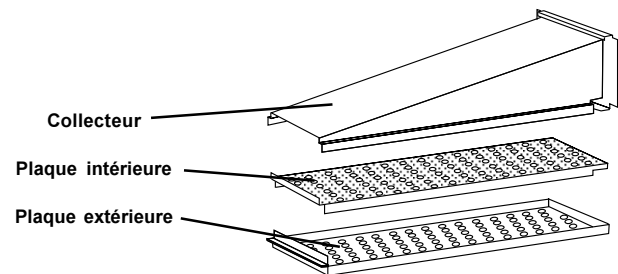


Figure 4-5 - Démontage des conduits d'air



III. ENTRETIEN - TRIMESTRIEL

- A. Vérifiez si le four est froid et si l'alimentation en électricité est débranchée, comme le décrit l'avertissement de la page 44.
- B. Nettoyez les moteurs de soufflerie et les composants avoisinants à l'aide d'un aspirateur d'atelier.
- C. Serrez toutes les vis de borne électrique.
- D. Dans le cas des fours à bande transporteuse divisée SEULEMENT, démontez, nettoyez et graissez les composants de l'arbre du transporteur comme décrit ci-dessous.

1. Enlevez le protecteur de moteur, les allonges de transporteur et le transporteur comme le décrit la deuxième partie Entretien mensuel.
2. Enlevez les maillons de chaque bande transporteuse de transporteur. Faites ensuite rouler les bandes le long du transporteur afin de les retirer du cadre.
3. Enlevez les deux vis d'ajustement du transporteur qui se trouvent du côté de l'arbre porteur du cadre du transporteur (figure 4-6).
4. Dans le cas des fours de modèles PS360EWB et PS360WB70, enlevez la vis à tête creuse comme le démontre le dessin éclaté. Desserrez ensuite la vis de pression du collier de fixation. Poussez l'arbre vers le collier de fixation jusqu'à ce qu'il soit dégagé.
5. Retirez l'arbre porteur du transporteur.
6. Séparez les deux sections de l'arbre porteur. Nettoyez minutieusement les arbres à l'aide d'un chiffon. Graissez ensuite l'arbre allongé et l'intérieur de l'arbre creux à l'aide d'un lubrifiant alimentaire.

MISE EN GARDE

NE graissez PAS les arbres à l'aide de WD40 ou d'un produit semblable. Ceci pourrait les user prématurément.

7. Avant de remonter les arbres dans le cadre du transporteur, assurez-vous qu'ils sont correctement orientés. Rappelez-vous que dans le cas des fours dont la bande transporteuse est d'une largeur inégale, la bande la plus étroite devrait TOUJOURS être à l'avant du four.
8. Remontez l'arbre porteur dans le transporteur. Pour tous les fours sauf les modèles PS360EWB et PS360WB70, assurez-vous que la rondelle de bronze est placée entre les deux sections de l'arbre. Reportez-vous à la figure 4-8.
9. Desserrez la vis de pression des deux côtés des roues d'entraînement. Retirez ensuite les roues de l'arbre.
10. Desserrez la vis de pression du collier de fixation, comme le démontre la figure 4-7. Dans le cas des fours de modèles PS360EWB et PS360WB70, enlevez la vis à tête creuse illustré dans le dessin éclaté.
11. Poussez l'arbre d'entraînement vers la droite, puis soulevez-le pour le dégager du cadre du transporteur. Démontez ensuite et graissez les deux sections de l'arbre d'entraînement comme le décrit l'étape 5.
12. Avant de remonter les arbres dans le cadre du transporteur, assurez-vous qu'ils sont orientés correctement. Rappelez-vous que si la largeur de la bande transporteuse du four est inégale, la bande la plus étroite doit TOUJOURS se trouver à l'avant du four.
13. Remontez l'arbre d'entraînement dans le transporteur. Assurez-vous que l'entretoise de nylon est placée, comme le démontre la figure 4-8. De plus, pour tous les fours sauf les modèles PS360EWB et PS360WB70, assurez-vous que la rondelle de bronze est placée entre les deux sections de l'arbre.
14. Remontez les roues d'entraînement. Remontez les bandes transporteuses et les maillons sur le transporteur et remplacez le transporteur dans le four.
15. Remontez le protecteur de moteur et les allonges de transporteur sur le four.

IV. ENTRETIEN - SEMESTRIEL

- A. Vérifiez si le four est froid et si l'alimentation est débranchée, comme le décrit l'avertissement de la page 44.
- B. Recherchez la présence d'usure excessive sur les balais du moteur d'entraînement du transporteur. Les balais doivent être remplacés s'ils mesurent moins de ¼ po (6,4 mm) en raison de l'usure.
- C. Nettoyez et inspectez l'injecteur de brûleur et l'électrode.
- D. Vérifiez (et nettoyez au besoin) le système de ventilation du four, y compris le conduit de fumées.
- E. Vérifiez les bagues et les entretoises de l'arbre. Remplacez les composants s'ils sont usés.

Figure 4-6 - Arbre porteur de bande transporteuse divisée

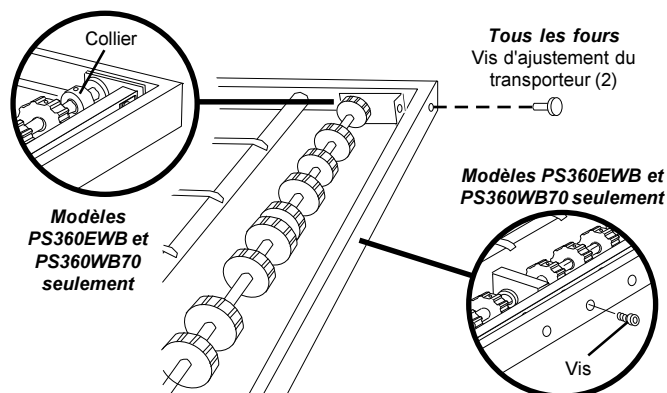


Figure 4-7 - Arbre d'entraînement de bande transporteuse divisée

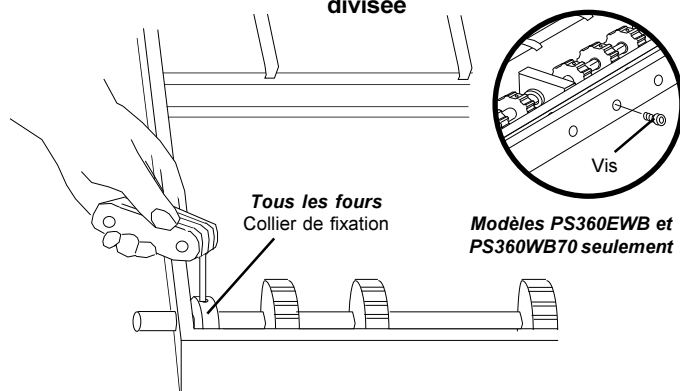
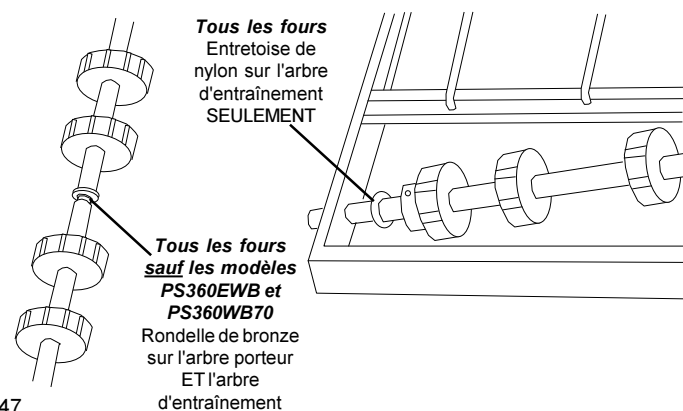


Figure 4-8 - Rondelles et entretoise



V. TROUSSE DE PIÈCES DE RECHANGE ESSENTIELLES - Vente à l'unité. Reportez-vous à la figure 4-9.

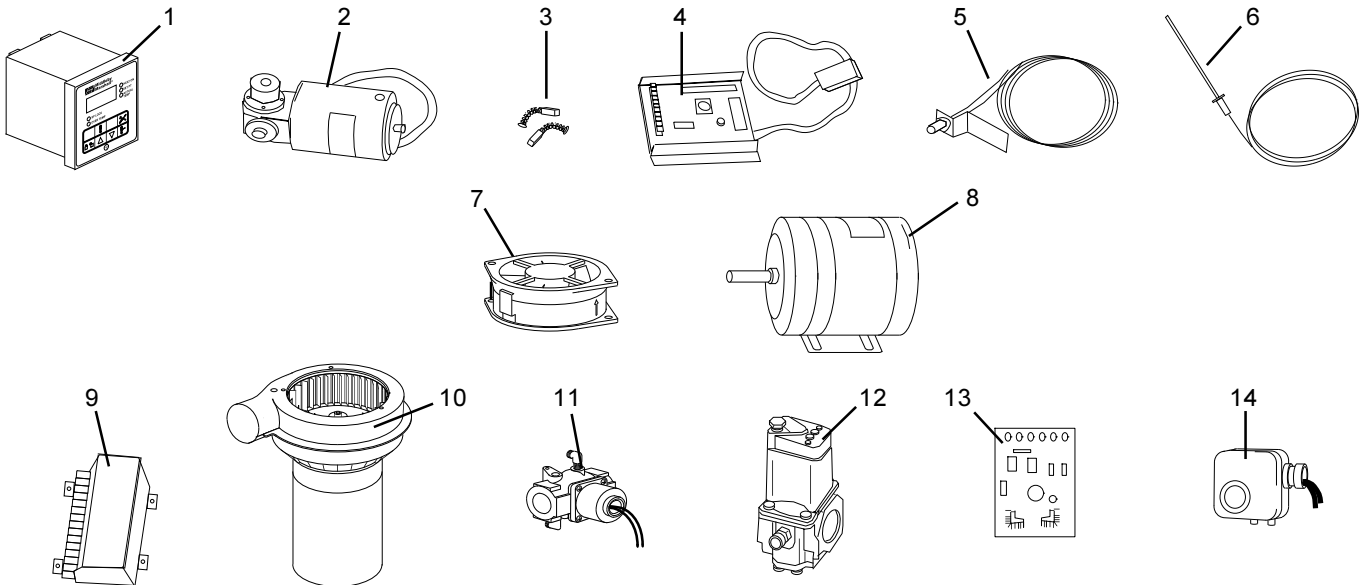
A. Composants de la trousse de pièces de rechange essentielles (tous les fours)

Article	Description	Numéro de pièce
1	1 Ensemble, régulateur de température électronique	36939
2	1 Moteur d'entraînement du transporteur	27384-0008
3	2 Balais, moteur d'entraînement du transporteur	22450-0052
4	1 Ensemble, régulateur de vitesse de transporteur	42810-0133
5	1 Capteur de commande du transporteur	27170-0263
6	1 Thermocouple	33984
7a	1 Ventilateur (PS310, 314, 360, 360Q, 360S, 360WB)	27392-0002
7b	1 Ventilateur (PS360EWB, WB70)	36451
8a	1 Moteur de soufflerie, 1 Ph, 1/3 HP (PS310, 314, 360, 360S)	27381-0023
8b	1 Moteur de soufflerie, 3 Ph, 1/3 HP (PS310, 314, 360)	27381-0024
8c	1 Moteur de soufflerie, 1 Ph, 1/4 HP (PS360Q)	27381-0054
8d	1 Moteur de soufflerie, 1 Ph, 1/2 HP (PS360WB)	27381-0075
8e	1 Moteur de soufflerie, 1 Ph, 1 HP (PS360EWB, WB70)	31432

B. Composants additionnels de la trousse d'installation des fours à gaz

Article	Description	Numéro de pièce
9	1 Ensemble, module d'allumage	42810-0114
10a	1 Soufflerie de brûleur/moteur (PS310, 314, 360, 360Q, 360S, 360WB)	27170-0011
10b	1 Soufflerie de brûleur/moteur (PS360EWB, WB70)	38811
11	1 Électrovanne (Tous les fours SAUF PS360EWB)	28091-0017
12	1 Vanne à gaz modulante (PS360EWB)	32570
13	1 Amplificateur, vanne à gaz modulante (PS360EWB)	31651
14	1 Interrupteur de débit d'air (PS360EWB, WB70)	32102

Fig. 4-9 - Trousse de pièces de rechange essentielles



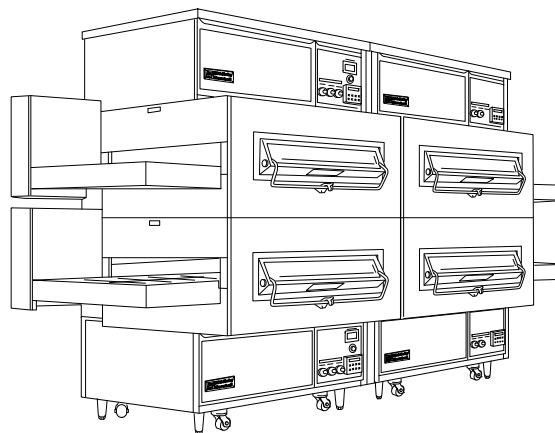
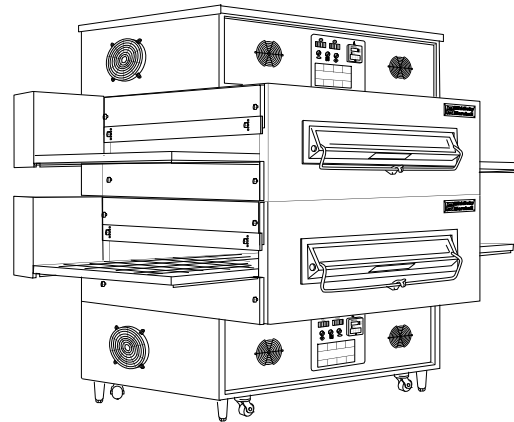
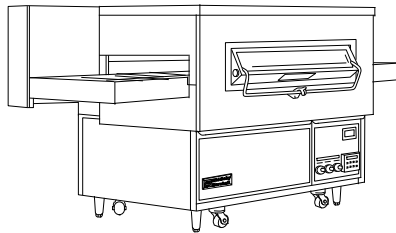
IMPORTANT

Le schéma de câblage du four est situé à l'intérieur du compartiment des composants ou du compartiment de commande.

Middleby Cooking Systems Group • 1400 Toastmaster Drive • Elgin, IL 60120 • USA • (847)741-3300 • TÉLÉCOPIEUR (847)741-4406
Service d'assistance téléphonique 24 heures : 1-(800)-238-8444

www.middleby.com





ENGLISH
page 1

FRANÇAIS
page 25

ESPAÑOL
página 49

Hornos a Gas y Eléctricos de la Serie PS300

Modelos:

- PS310
- PS314
- PS360/360Q/360S
- PS360WB
- PS360EWB
- PS360WB70

Combinaciones:

- Horno Inferior Sencillo
- Horno Superior con Base
- Horno Doble (Apilado)
- Horno en Tándem
- Horno en Tándem Doble (Apilado)

MANUAL DE OPERACIÓN E INSTALACIÓN DEL PROPIETARIO

© 2000 Middleby Marshall, Inc.



es una marca registrada de Middleby Marshall, Inc. Todos los derechos reservados.

Middleby Cooking Systems Group • 1400 Toastmaster Drive • Elgin, IL 60120 • (847)741-3300 • FAX (847)741-4406



AVISO:

Este **Manual de Operación e Instalación del Propietario** debe ser entregado al usuario. El operario del horno debe estar familiarizado con las funciones y la operación del horno.

Este manual debe mantenerse a la vista, en un lugar accesible cerca al horno.

Los hornos a gas están diseñados para utilizarse TANTO con gas natural como CON gas propano líquido, tal como se especifica en la placa informativa. Siempre que los códigos locales y nacionales lo permitan, el horno puede ser convertido para que funcione con gas natural o con gas propano. Esta conversión requiere la instalación del Juego de Conversión de Gas de Middleby Marshall por un Agente de Servicio Autorizado.

Sugerimos obtener un contrato de servicio con un Agente de Servicio Autorizado de Middleby Marshall.

PRECAUCIÓN

COLOQUE A LA VISTA EL NÚMERO DE TELÉFONO DE EMERGENCIA DE SU DISTRIBUIDOR DE GAS LOCAL, ASÍ COMO LAS INSTRUCCIONES A SEGUIR EN CASO DE PERCIBIR OLOR A GAS.

Usted debe obtener de su distribuidor local de gas las instrucciones a seguir en caso que el usuario note olor a gas. Si detecta olor a gas, llame inmediatamente al número de teléfono de emergencia de su Compañía Local de gas. Ellos cuentan con el personal y los procedimientos para corregir el problema.

PARA SU SEGURIDAD

No almacene o use gasolina ni ningún otro vapor o líquido inflamable cerca de este o cualquier otro artefacto de este tipo.

PRECAUCIÓN:

La instalación, ajuste, alteración, servicio o mantenimiento inadecuados pueden ocasionar daño a la propiedad, heridas o inclusive la muerte. Lea detenidamente las instrucciones de instalación, operación y mantenimiento antes de instalar o prestar servicio a este equipo.

IMPORTANTE

Dentro del compartimiento de mecanismos o de control se encuentra un diagrama del cableado eléctrico del horno.

IMPORTANTE

Es responsabilidad del cliente informar sobre cualquier daño, oculto o no, a la compañía de transporte. Conserve todos los materiales de envío hasta que se asegure de que el equipo no ha sufrido daño alguno durante el envío.

AVISO: EN CASO DE MANTENIMIENTO O REPARACIONES, PÓNGASE EN CONTACTO CON SU AGENTE DE SERVICIO AUTORIZADO DE MIDDLEBY MARSHALL. CON SU JUEGO DE INSTALACION SE LE PROPORCIONA UN DIRECTORIO DE AGENTES DE SERVICIO AUTORIZADOS.

AVISO: El uso de cualquier pieza distinta a las genuinas fabricadas por Middleby Marshall libera al fabricante de toda responsabilidad y garantía.

AVISO: Middleby Marshall (Fabricante) se reserva el derecho a cambiar especificaciones en cualquier momento.

AVISO: La garantía del equipo no es válida si el equipo no es instalado, activado y demostrado bajo la supervisión de un instalador certificado por el fabricante.

Retenga este Manual para referencia futura

Middleby Cooking Systems Group • 1400 Toastmaster Drive • Elgin, IL 60120 • USA • (847)741-3300 • FAX (847)741-4406

Línea de Servicio Abierta las 24 Horas: 1-(800)-238-8444

www.middleby.com

ÍNDICE DE MATERIAS

	<i>página</i>		<i>página</i>
SECCIÓN 1 - DESCRIPCIÓN	52	IV. INSTALACIÓN DEL TERMOPAR	57
I. USO DEL HORNO	52	V. ENSAMBLAJE DEL HORNO EN TÁNDEM	58
II. COMPONENTES DEL HORNO	52	VI. INSTALACIÓN DEL TRANSPORTADOR	60
A. Bandejas Colectoras	52	A. Todos los Hornos No en Tándem	60
B. Motor de Impulsión del Transportador	52	B. Hornos de Modelo en Tándem	61
C. Transportador	52	VII. ENSAMBLAJE FINAL	61
D. Compuertas de los Extremos	52	VIII. SUMINISTRO ELÉCTRICO	62
E. Placa Informativa	52	A. Hornos Eléctricos	62
F. Ventana	52	B. Hornos a Gas	62
G. Panel de Acceso al Compartimiento de Mecanismos	52	C. Hornos con Transformadores Externos	62
H. Panel de Acceso al Compartimiento de Control	52	D. Conexión	62
I. Panel de Control	52	IX. SUMINISTRO DE GAS	63
J. Protectores (Pestañas)	52	A. Recomendaciones para la instalación del servicio de gas	63
K. Tope Final del Transportador	52	B. Conexión	63
L. Quemador de Gas	52	C. Conversión Según el Tipo de Gas	63
M. Ventiladores	52	SECCIÓN 3 - OPERACIÓN	64
N. Dedos de Aire	52	I. UBICACIÓN Y DESCRIPCIÓN DE LOS CONTROLES	64
III. ESPECIFICACIONES DEL HORNO	52	A. BLOWER (VENTILADOR) (☼) Interruptor	64
A. Dimensiones	52	B. HEAT (CALOR) (☼) Interruptor	64
B. Especificaciones Generales	53	C. CONVEYOR (TRANSPORTADOR) (☼) Interruptor	64
C. Especificaciones del Orificio de Gas y Presión	53	D. Controlador de Velocidad del Transportador	64
D. Especificaciones Eléctricas - Hornos a Gas	53	E. Controlador Digital de Temperatura	64
E. Especificaciones Eléctricas - Hornos Eléctricos	53	F. Interruptor de Seguridad del Panel de Acceso del Compartimiento de Mecanismos	64
SECCIÓN 2 - INSTALACIÓN	54	II. OPERACIONES NORMALES, PASO A PASO	65
I. JUEGO DE INSTALACIÓN	55	A. Procedimientos de Encendido Diarios	65
A. Componentes	55	B. Procedimientos de Apagado Diarios	65
B. Componentes Adicionales - Hornos a Gas	55	III. REFERENCIA RÁPIDA: CONTROL DE TEMPERATURA DIGITAL	66
C. Componentes Adicionales - Hornos en Tándem	55	IV. REFERENCIA RÁPIDA: DIAGNÓSTICO DE AVERÍAS	67
II. SISTEMA DE VENTILACIÓN	56	SECCIÓN 4 - MANTENIMIENTO	68
A. Requisitos	56	I. MANTENIMIENTO - DIARIO	69
B. Recomendaciones	56	II. MANTENIMIENTO - MENSUAL	70
C. Otras consideraciones de ventilación	56	III. MANTENIMIENTO - CADA 3 MESES	71
III. ENSAMBLAJE	57	IV. MANTENIMIENTO - CADA 6 MESES	71
A. Apilado	57	V. JUEGO DE PIEZAS DE REPUESTO ELEMENTALES	72
B. Bases	57		

SECCIÓN 1 - DESCRIPCIÓN

I. USO DEL HORNO

Los Hornos de la Serie PS300 se pueden utilizar para hornear y/o cocinar una amplia variedad de productos alimenticios, tales como pizza, productos tipo pizza, galletas, emparedados y otros.

II. COMPONENTES DEL HORNO - ver Figura 1-1.

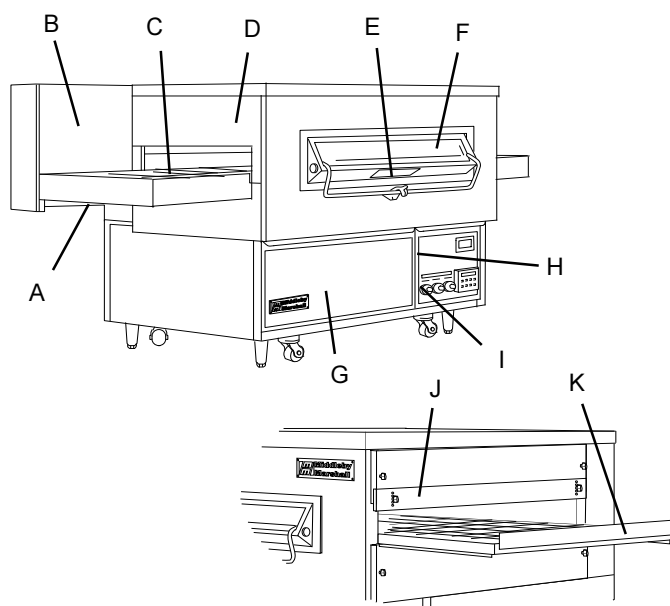
- A. Bandejas Colectoras:** Recolectan migajas y otros materiales que pueden caer por entre el transportador. Hay una bandeja colectora debajo de cada extremo del transportador.
- B. Motor de Impulsión del Transportador:** Mueve el transportador.
- C. Transportador:** Mueve los alimentos a lo largo del horno.
- D. Compuertas de los Extremos:** Permiten el acceso al interior del horno.
- E. Placa Informativa:** Proporciona especificaciones para el horno que pueden afectar la instalación u operación. Refiérase a la Sección 2, [Instalación](#), para detalles.
- F. Ventana (en los hornos que las tienen):** Permite que el usuario vea y tenga acceso a los productos alimenticios dentro de la cámara de horneado.
- G. Panel de Acceso al Compartimiento de Mecanismos:** Permite el acceso a los componentes interiores del horno. En el compartimiento de mecanismos no hay ninguna pieza a la que el usuario pueda prestar servicio.
- H. Panel de Acceso al Compartimiento de Control:** Permite el acceso a los componentes de control. Este panel está combinado con el Panel de Acceso al Compartimiento de Mecanismos en los hornos PS360EWB y WB70. En el compartimiento de control no hay ninguna pieza a la que el usuario pueda prestar servicio.
- I. Panel de Control:** Ubicación de los controles de operación del horno. Refiérase a la Sección 3, [Operación](#), para detalles.
- J. Protectores (Pestañas) (en los hornos que las tienen):** Pueden ajustarse a distintas alturas para evitar la pérdida de calor al ambiente.

- K. Tope Final del Transportador:** Evita que los alimentos caigan al final del transportador.

No Mostrado:

- L. Quemador de Gas:** Calienta el aire, el cual es entonces proyectado hacia los dedos de aire mediante los ventiladores.
- M. Ventiladores:** Sopladores que proyectan aire caliente desde el calentador hacia los dedos de aire.
- N. Dedos de Aire:** Proyectan chorros de aire caliente sobre los alimentos.

Fig. 1-1 - Componentes del Horno



III. ESPECIFICACIONES DEL HORNO

A. Dimensiones	PS310	PS314	PS360/360Q/360S	PS360Tándem	PS360WB	PS360WB Tándem	PS360EWB	PS360WB70
Altura Total								
Horno Inferior, con parte superior y patas	45-1/2" 1143mm	45-1/2" 1143mm	45-1/2" 1143mm	45-1/2" 1143mm	45-1/2" 1143mm	45-1/2" 1143mm	45-1/2" 1143mm	45-1/2" 1143mm
Horno Superior, con base y parte superior	64-1/2" 1638mm	64-1/2" 1638mm	64-1/2" 1638mm	64-1/2" 1638mm	64-1/2" 1638mm	64-1/2" 1638mm	64-1/2" 1638mm	64-1/2" 1638mm
Horno Doble (dos apilados)	82-1/4" 2089mm	82-1/4" 2089mm	82-1/4" 2089mm	82-1/4" 2089mm	82-1/4" 2089mm	82-1/4" 2089mm	82-1/4" 2089mm	82-1/4" 2089mm
Profundidad Total								
incluyendo viseras posteriores y ventana delantera	39" 991mm	39" 991mm	47" 1194mm	47" 1194mm	55" 1397mm	55" 1397mm	60" 1524mm	55" 1397mm
incluyendo viseras posteriores(sin ventana)	36" 914mm	36" 914mm	44" 1118mm	44" 1118mm	52" 1321mm	52" 1321mm	—	—
Largo Total								
	90-1/2" 2299mm	70-3/4"* 1797mm*	90-1/2"* 2299mm*	144-1/2" 3670mm	90-1/2" 2299mm	144-1/2" 3670mm	90-1/2" 2299mm	106" 2692mm
* NOTA: Las dimensiones de los hornos PS314 y PS360Q NO incluyen las bandejas de salida opcionales.								
Ancho del Transportador								
Banda Sencilla	24" 610mm	24" 610mm	32" 813mm	32" 813mm	40" 1016mm	40" 1016mm	44" 1118mm	40" 1016mm
Banda Doble, ancho idéntico	—	—	2x15" 381mm	2x15" 381mm	2x19" 483mm	2x19" 483mm	2x21" 533mm	2x19" 483mm
Banda Doble, ancho variable	—	—	—	—	1x13"/330mm Y 1x26"/660mm	1x13"/330mm Y 1x26"/660mm	1x14"/356mm Y 1x28"/711mm	1x13"/330mm Y 1x26"/660mm
Márgenes Mínimos Recomendados								
Parte posterior del horno (incluyendo viseras posteriores) hasta la pared	1" 25mm	1" 25mm	1" 25mm	1" 25mm	1" 25mm	1" 25mm	1" 25mm	1" 25mm
Extensión del Transportador hasta la pared (ambos extremos)	0" 0mm	0" 0mm	0" 0mm	0" 0mm	0" 0mm	0" 0mm	0" 0mm	0" 0mm

B. Especificaciones Generales (por cada cavidad del horno)

	PS310	PS314	PS360/360Q/360S	PS360WB	PS360EWB	PS360WB70
Peso	1165 lbs./529kg	1165 lbs./529kg	1285 lbs./583kg	1485 lbs./674kg	1620 lbs./733kg	1825 lbs./829kg
Peso de Envío	1241 lbs./563kg	1241 lbs./563kg	1360 lbs./617kg	1560 lbs./708kg	1695 lbs./767kg	1900 lbs./863kg
Vol. de la Caja de Envío	105 ft. ³ /2.98m ³	105 ft. ³ /2.98m ³	106 ft. ³ /3.00m ³	129 ft. ³ /3.65m ³	129 ft. ³ /3.65m ³	164 ft. ³ /4.65m ³
Entrada Nominal de Calor						
Gas	135,000 BTU 34,020kcal, 40kw/hr.	135,000 BTU 34,020kcal, 40kw/hr.	135,000 BTU 34,020kcal, 40kw/hr.	170,000 BTU 42,840kcal, 50kw/hr.	175,000 BTU 44,100kcal, 52kw/hr.	175,000 BTU 44,100kcal, 52kw/hr.
Eléctrico	26kw/hr.	26kw/hr.	26kw/hr.	—	—	—
Temp.Máx.de Operación	< ----- 550°F/288°C ----- >					
Ventiladores	< ---- 2 ventiladores a 1550 ft. ³ (43.9m ³)/min. a 1700 RPM, presión estática 0.88"/2.2cm de agua ----- >					
Velocidad del Chorro de Aire (prom.)	< ----- 2600 ft./min. (1320cm/seg.) ----- >					
Tiempo de Calentamiento	< ----- 15 minutos ----- >					

C. Especificaciones del orificio de gas y de presión - para hornos a gas (por cada cavidad del horno)

	DI del orificio principal						DI del orificio del piloto	DI del orificio de sobrepaso *	Presión de suministro (entrada)	Presión del múltiple
	PS310	PS314	PS360/360Q/360S	PS360WB	PS360EWB	PS360WB70				
Gas Natural	0.219" 5.56mm	0.219" 5.56mm	0.219" 5.56mm	0.250" 6.35mm	0.250" 6.35mm	0.250" 6.35mm	0.028" 0.71mm	0.065"/broca#53 1.65mm	6-12" W.C. 14.9-29.9mbar	3-1/2" W.C. 8.7mbar
Propano	0.134" 3.40mm	0.134" 3.40mm	0.134" 3.40mm	0.152" 3.86mm	0.165" 4.19mm	0.165" 4.19mm	0.018" 0.46mm	0.034"/broca#62 0.86mm	11-14" W.C. 27.4-34.9mbar	10" W.C. 24.9mbar

* NOTA: El horno a gas PS360EWB no utiliza un orificio de sobrepaso.

D. Especificaciones Eléctricas - para hornos a gas (por cavidad del horno)

	Voltaje del Ventilador Principal	Voltaje del Circuito de Control	Fase	Frec.	Consumo de Corriente		Polos	Cables
PS310/314/360/360Q/360S/360WB	208-240V	120V	1 Ph	60 Hz	10A	3 Polos	4 Cables (2 vivos, 1 neut, 1 tierra)	
	208-240V (exportación)	120V (transformador)	1 Ph	50/60 Hz	10A	2 Polos	3 Cables (2 vivos, 1 tierra)	
	200-220V (exportación)	120V (transformador)	1 Ph	50/60 Hz	10A	2 Polos	3 Cables (2 vivos, 1 tierra)	
PS360EWB/WB70	208-240V	120V velocidad del transportador controlador (transformador); todos los demás circuitos de control según la línea (208-240V)	1 Ph	60 Hz	12A	2 Polos	3 Cables (2 vivos, 1 tierra)	

E. Especificaciones eléctricas - para hornos calentados por electricidad (por cavidad del horno)

	Voltaje del Ventilador Principal	Voltaje del Circuito de Control	Fase	Frec.	Consumo de Corriente	Carga máxima kW	Polos	Cables
(con 3 motores de ventilador Ph)	208-240V	120V	3 Ph	60 Hz	67.3A a 208V 58.4A a 240V	26.0 kW a 208V 26.0 kW a 240V	4 Polos	5 Cables (3 vivos, 1 neut, 1 tierra)
(con 1 motor de ventilador Ph)	208-240V	120V	3 Ph	60 Hz	67.3A a 208V 58.4A a 240V	26.0 kW a 208V 26.0 kW a 240V	4 Polos	5 Cables (3 vivos, 1 neut, 1 tierra)
200-220V (exportación)	120V (transformador)	120V (transformador)	3 Ph	50/60 Hz	67.3A a 208V 53.5A a 220V	24.3 kW a 208V 20.4 kW a 220V	3 Polos	4 Cables (3 vivos, 1 tierra)
240V (exportación)	120V (transformador)	120V (transformador)	3 Ph	50/60 Hz	58.4A	26.0 kW	3 Polos	4 Cables (3 vivos, 1 tierra)
380V (exportación)	120V (transformador)	120V (transformador)	3 Ph	50/60 Hz	36.8A	24.3 kW	3 Polos	4 Cables (3 vivos, 1 tierra)
400-416V (exportación)	120V (transformador)	120V (transformador)	3 Ph	50/60 Hz	33.8A	24.3 kW	3 Polos	4 Cables (3 vivos, 1 tierra)
480V	120V (transformador)	120V (transformador)	3 Ph	60 Hz	29.2A	26.0 kW	3 Polos	4 Cables (3 vivos, 1 tierra)

IMPORTANTE

En la placa informativa y en el diagrama de cableado dentro del compartimento de mecanismos se proporciona información eléctrica adicional.

SECCION 2 - INSTALACIÓN

AVISO: Después de realizar conversiones, reajustes o prestar servicio al horno:

- Realice una prueba para determinar si hay fugas de gas.
- Realice una prueba para determinar si el suministro de aire es correcto, especialmente hacia el ventilador del quemador.
- Realice una prueba para determinar si la combustión y el suministro de gas son apropiados.
- Verifique si el sistema de ventilación funciona.

AVISO

Mantenga el área del artefacto libre y alejada de combustibles.

AVISO

El horno se debe instalar en un piso plano (nivelado) no inflamable y las paredes adyacentes deben ser no inflamables. El margen mínimo recomendado se especifica en la sección *Descripción* de este Manual.

AVISO

No obstruya el flujo de aire de combustión y ventilación desde y hacia su horno. No deben haber obstrucciones alrededor o debajo del horno. Los cambios a la construcción del área donde se encuentra instalado el horno no afectarán al suministro de aire hacia el horno.

PRECAUCIÓN

Para información adicional sobre la instalación, refiérase a los siguientes documentos:
PS360 Manual de Procedimientos Previos a la Instalación (Middleby Marshall P/N 88210-0024)
PS360 Manual de Instalación (Middleby Marshall P/N 88210-0025)
O, póngase en contacto con su Agente de Servicio Autorizado.

NOTA

Debe haber una separación adecuada entre el horno y cualquier construcción combustible. También se debe proporcionar separación suficiente para el servicio y la operación.

NOTA

Dentro del compartimiento de mecanismos o del compartimiento de control se halla un diagrama del cableado eléctrico del horno.

NOTA

Todos los aspectos de la instalación del horno, incluyendo ubicación, conexiones de servicios y requerimientos de ventilación deben ajustarse a los códigos locales y nacionales. Estos códigos tienen prioridad sobre las directrices proporcionadas en este manual.

NOTA

En los EE.UU., la instalación del horno debe ajustarse a los códigos locales, o en la ausencia de códigos locales, al Código de Gas Combustible Nacional, ANSI Z223.1. El horno, una vez instalado, debe estar conectado eléctricamente a tierra de acuerdo con los códigos locales, o en la ausencia de códigos locales, el Código Eléctrico Nacional (NEC), o ANSI/NFPA70.

NOTA

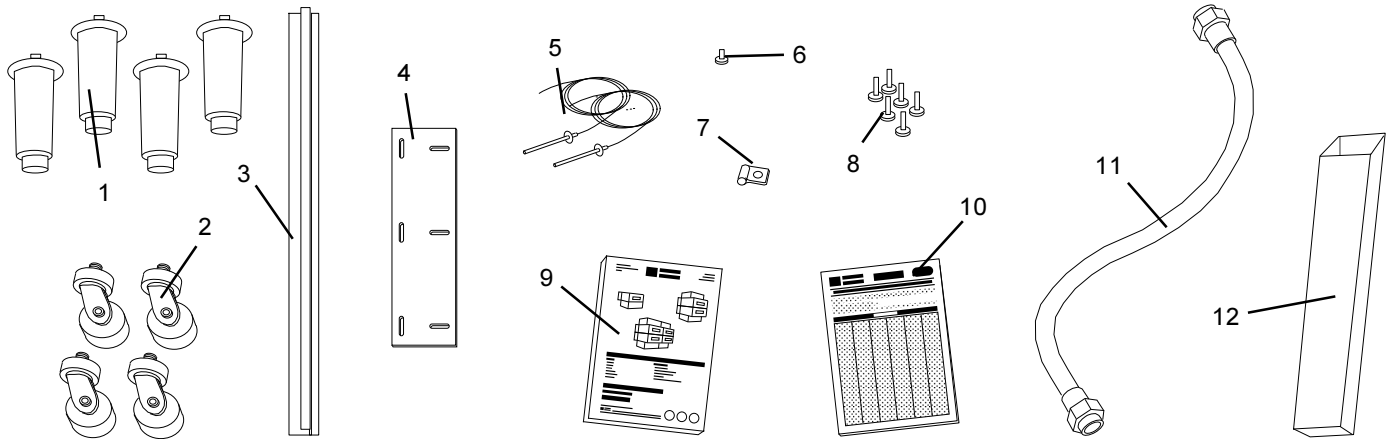
En Canadá, la instalación del horno debe ajustarse a los códigos locales, o en la ausencia de códigos locales, al Código de Instalación de Gas Natural, CAN/CGA-B149.1, o al Código de Instalación de Gas Propano, CAN/CGA-B149.2, según corresponda. El horno, una vez instalado, debe estar conectado eléctricamente a tierra de acuerdo con los códigos locales, o en la ausencia de códigos locales, el Código Eléctrico Canadiense CSA, C22.2, según corresponda.

NOTA

Para la instalación en Australia, la instalación del horno debe ajustarse al Código AGA, AG601, y a cualquier requisito de la autoridad estatutoria correspondiente.

I. JUEGO DE INSTALACIÓN

Fig. 2-1 - Juego de Instalación



A. Componentes del juego de instalación (se requiere un juego por cavidad)

Item	Descripción	Número de Pieza	Horno Inferior Sin Parte Superior	Horno Inferior Con Parte Superior	Horno Superior
1	Patas, ajustables	22450-0028	4	4	—
2*	Rueda, Giratoria (con husillo)	37115-0102	4*	4*	4*
3a	Tope del Transportador - PS310/314	35000-1099	1	1	1
3b	Tope del Transportador - PS360/360S • Banda Sencilla • Banda Doble	35000-1103 35509	1 2	1 2	1 2
3c	Tope del Transportador - PS360Q	37000-0524	1	1	1
3c	Tope del Transportador - PS360WB/WB70 (Banda Sencilla o Doble)	36526	1	1	1
3d	Tope del Transportador - PS360EWB • Banda Sencilla • Banda Doble: bandas de 2x21"/533mm • Banda Doble: banda de 1x14"/356mm + banda de 1x28"/711mm	35900-0370 35900-0370 35509 35000-1099	2 2 1 1	2 2 1 1	2 2 1 1
4	Placa de Fijación, Horno superior	35122-0049	—	—	2
5**	Termopar	33812-1	1**	1**	1**
6**	Tornillo, #10-32 x 3/8"	21256-0008	1**	1**	1**
7**	Grapa para cable	27276-0001	1**	1**	1**
8	Tornillo, #2PT 10-16 x 3/4" HWH	21292-0001	2	2	14
9	Manual de Operación e Instalación del Propietario	41823	1	1	1
10	Lista de Agencias de Servicio Autorizadas	1002040	1	1	1

NOTA

* Hay 4 ruedas giratorias (Item 2) preinstaladas en cada cavidad del horno, para facilitar su movimiento durante la instalación.

** Algunos hornos incluyen dos termopares a pedido del cliente. Los juegos de instalación para estos hornos incluyen 2 de cada uno de los items 5 a 7.

B. Componentes adicionales del juego de instalación para hornos a gas

Item	Descripción	Número de Pieza	Horno Inferior Sin Parte Superior	Horno Inferior Con Parte Superior	Horno Superior
6	Tornillo, #10-32 x 3/8"	21256-0008	1	1	1
8	Tornillo, #2PT 10-16 x 3/4" HWH	21292-0001	2	2	2
11	Tubo de gas, flexible	22361-0001	1	1	1
12a	Conducto de ventilación, 14" (356mm)	30773	—	1	—
12b	Conducto de ventilación, 29-1/2" (749mm)	30759	—	—	1
12c	Conducto de ventilación, 50" (1270mm)	30758	1	—	—

C. Componentes adicionales del juego de instalación para hornos en tándem (no mostrados)

Item	Descripción	Número de Pieza	Horno en Tándem	Doble (2apilados) Horno en tándem
—	Guarnición para el Compartimiento de Mecanismos	35000-1454	1	2
—	Espaciador de la empaquetadura delantera	35000-1456	2	4
—	Espaciador de la empaquetadura posterior	35000-1457	2	4
—	Empaquetadura y bastidor de la cámara de horneado - PS360	37200-0013	1	2
—	Empaquetadura y bastidor de la cámara de horneado - PS360WB	32483	1	2

II. SISTEMA DE VENTILACIÓN

IMPORTANTE

Siempre que los códigos nacionales o locales requieran la instalación de equipos supresores de incendios o de otros equipos suplementarios, NO los instale directamente sobre el horno.

LA INSTALACIÓN DE DICHO EQUIPO SOBRE EL HORNO PUEDE:

- **CANCELAR LA CERTIFICACIÓN DE LA AGENCIA**
- **RESTRINGIR EL ACCESO PARA EL SERVICIO**
- **OCASIONAR GASTOS ADICIONALES DE SERVICIO PARA EL PROPIETARIO**

A. Requisitos

PRECAUCIÓN

- Es **NECESARIO** un sistema de ventilación de impulsión mecánica para las instalaciones de hornos a gas.
- Se **RECOMIENDA** un sistema de ventilación de impulsión mecánica para las instalaciones de hornos eléctricos.

LA VENTILACIÓN APROPIADA DEL HORNO ES RESPONSABILIDAD DEL PROPIETARIO.

B. Recomendaciones

TENGA EN CUENTA QUE LAS DIMENSIONES DE LA CAMPANA MOSTRADAS EN LA FIGURA 2-2 SON **SOLAMENTE RECOMENDACIONES**. SE DEBEN SEGUIR LOS CÓDIGOS LOCALES Y NACIONALES SIEMPRE QUE SE INSTALE UN SISTEMA DE VENTILACIÓN. TODOS LOS CÓDIGOS LOCALES Y NACIONALES TIENEN PRIORIDAD SOBRE LAS RECOMENDACIONES PRESENTADAS EN ESTE MANUAL.

La velocidad del flujo de aire evacuado mediante el sistema de ventilación puede variar dependiendo de la configuración del horno y del diseño de la campana extractora. Consulte con el fabricante de la campana o con un ingeniero de ventilación sobre estas especificaciones.

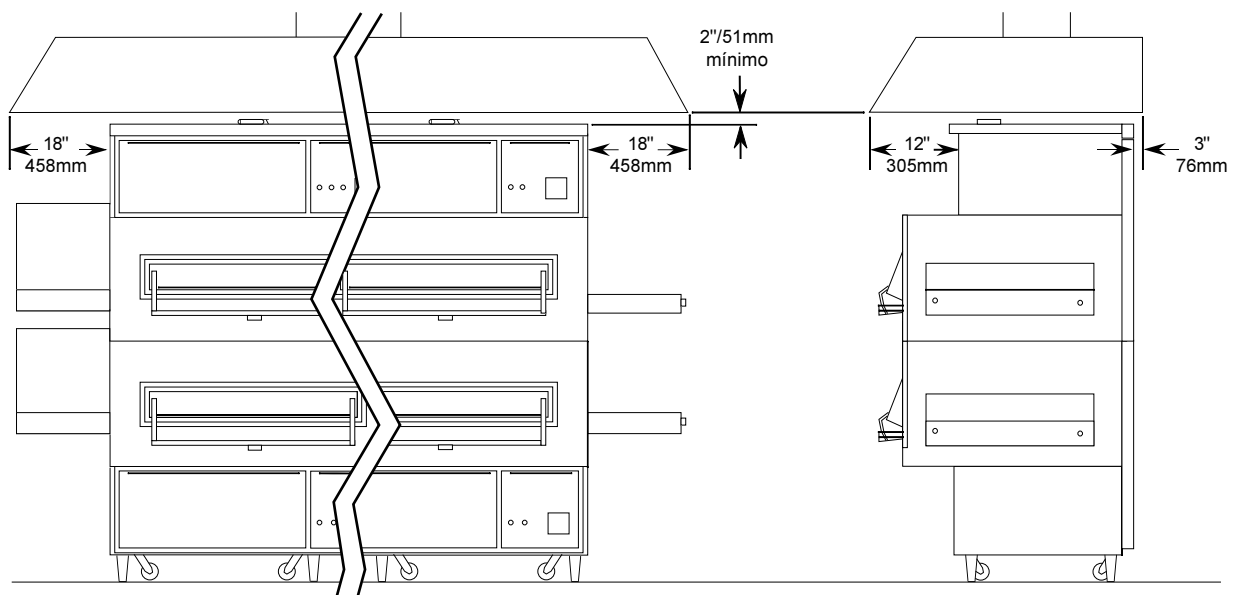
Para evitar una condición de presión negativa en el área de la cocina, se debe inyectar aire de retorno para compensar por el aire evacuado. Una presión negativa en la cocina puede ocasionar problemas relacionados con el calor en los componentes del horno, tal como si no hubiese ninguna ventilación. El mejor método para suministrar aire de retorno es a través del sistema de calefacción, ventilación y aire acondicionado (HVAC). Mediante el sistema HVAC se puede controlar la temperatura del aire tanto para el verano como para el invierno. El aire de retorno también se puede inyectar directamente desde el exterior del edificio, pero pueden haber efectos perjudiciales debidos a temperaturas extremas, calientes o frías, del exterior.

NOTA: El aire proveniente del sistema de impulsión mecánica **no debe soplar hacia la abertura de la cámara de horneado**. Esto resultaría en un bajo rendimiento del horno.

C. Otros problemas de ventilación

- Las ubicaciones, condiciones o problemas especiales pueden requerir los servicios de un ingeniero o especialista en ventilación.
- La ventilación inadecuada puede impedir el rendimiento del horno.
- Se recomienda revisar el sistema y los conductos de ventilación a intervalos periódicos, tal como lo especifiquen el fabricante de la campana extractora y/o el ingeniero o especialista en HVAC.

Fig. 2-2 - Sistema de Ventilación



III. ENSAMBLADO

A. Apilado

Si la instalación va a incluir hornos superiores montados sobre hornos inferiores:

1. Retire las ruedas (preinstaladas en cada cavidad del horno) de los hornos superiores.
2. Apile las cavidades del horno. Si fuera necesario, refiérase al Manual de Instalación Para los Hornos del Modelo PS310/360 (Middleby P/N 88210-0025).

B. Bases

Si la instalación incluye hornos a ser instalados sobre bases:

- Retire las ruedas (preinstaladas en cada cavidad del horno) e instálelas en las bases, como se indica en la Figura 2-3.
- Ensamble los hornos en las bases. En la Figura 2-3 se muestra un diagrama ilustrativo de la base.

C. Canal(es) de Humo

Para los hornos a gas, coloque un canal de humo en la pared posterior de cada cavidad de horno. Use un tornillo #10-16 x 3/8" y dos #10-32 x 3/4" para cada canal de humo. Estos tornillos se proporcionan con el Juego de Instalación.

IV. INSTALACIÓN DEL TERMOPAR

1. Instale un bulbo sensor del termopar en cada uno de los dos agujeros del panel posterior del horno, como se indica en la Figura 2-4. Ajuste cada termopar en su lugar usando uno de los tornillos #10-32 x 3/8" suministrados con el Juego de Instalación.
2. Pase AMBOS juegos de hilos de termopar a través del anillo protector y hacia el compartimiento de mecanismos, como se indica en la Figura 2-4.
3. Retire el panel derecho de acceso al compartimiento de mecanismos.
4. Pase los hilos del termopar a través del lado del compartimiento de mecanismos como se indica en la Figura 2-5, y hacia la caja eléctrica (en la parte delantera derecha del compartimiento de mecanismos).
5. Conecte AMBOS juegos de alambres del termopar al controlador de temperatura como se indica en la Figura 2-6. Observe que ahora los dos termopares están ajustados juntos en el controlador de temperatura.
6. Vuelva a colocar el panel derecho del compartimiento de mecanismos.
7. Repita los pasos 1-6 para cualquier otra cavidad del horno en la instalación.

Figura 2-3 - Diagrama Ilustrativo, Base del Horno

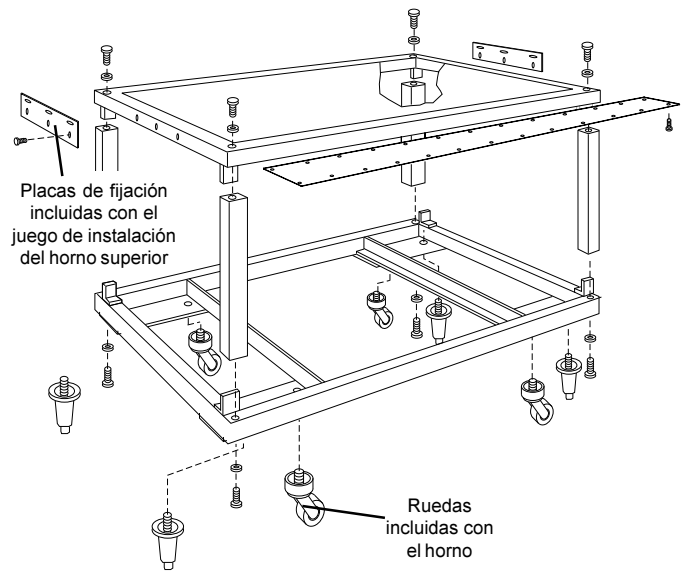


Figura 2-4 - Ubicaciones de instalación del termopar

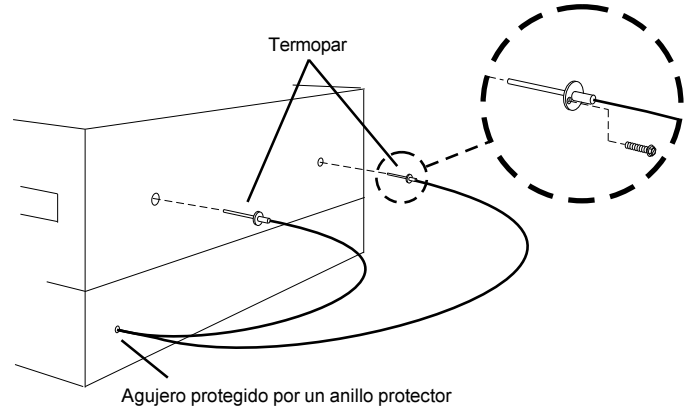


Figura 2-5 - Cómo colocar los hilos del termopar

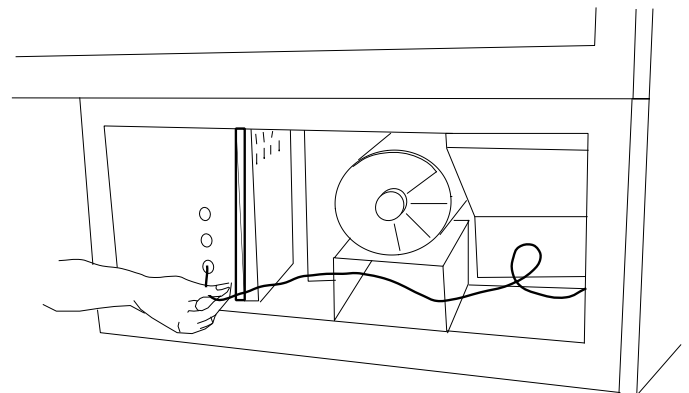
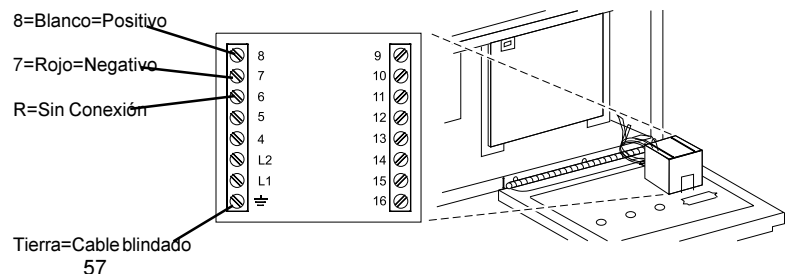


Figura 2-6 - Conexión de los hilos del termopar



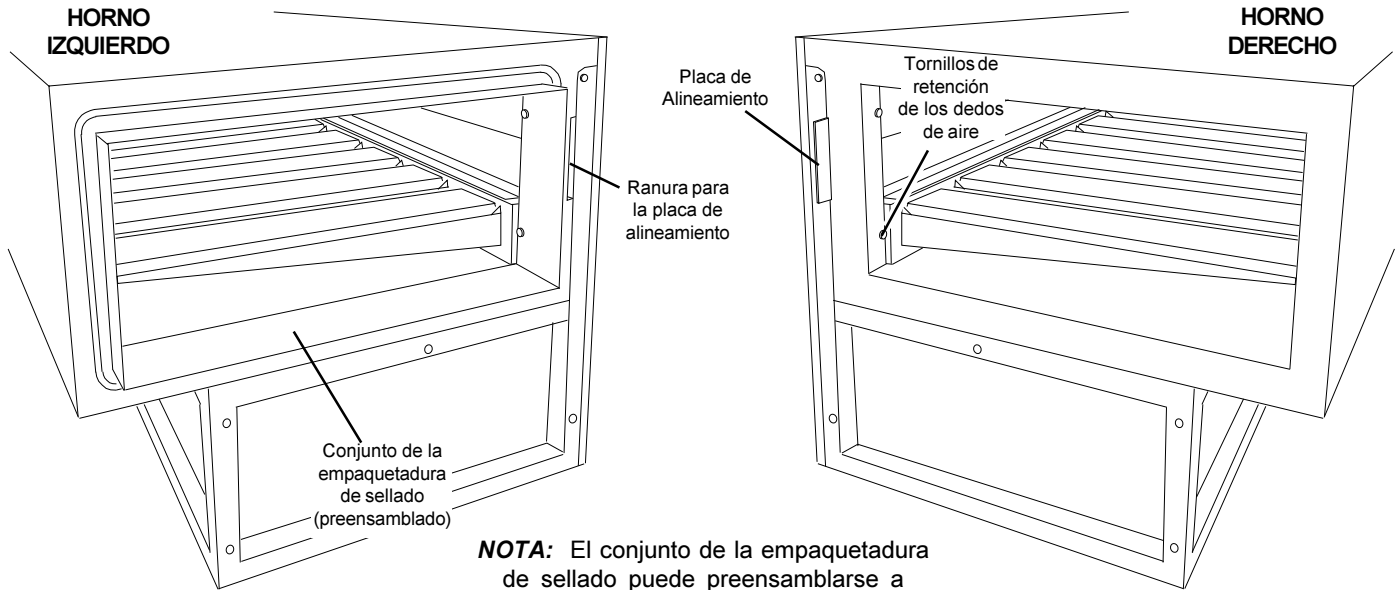
V. ENSAMBLADO DEL HORNO EN TÁNDEM

NOTA

Para las instalaciones de hornos que no van en tándem, pase a la Sección VI, Instalación del Transportador.

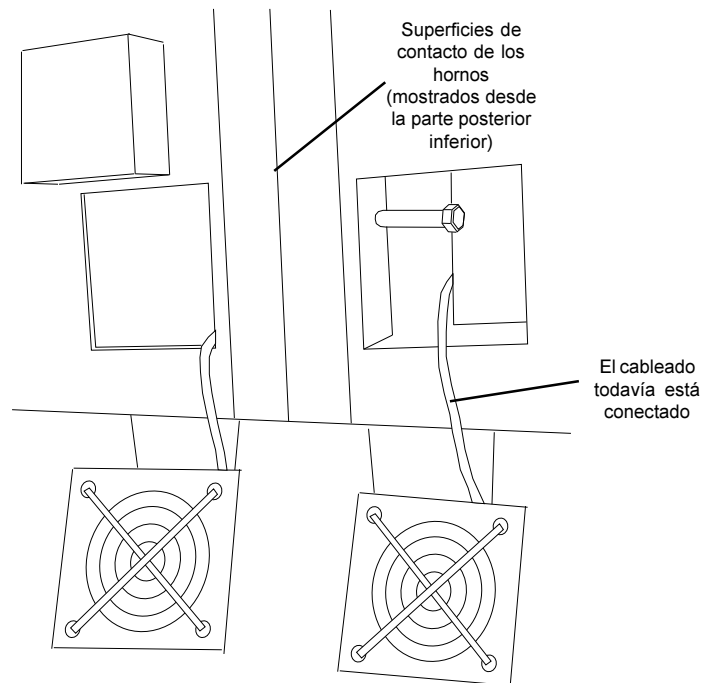
- Determine la posición adecuada de los hornos refiriéndose a la Figura 2-7. Luego, mueva los hornos a sus ubicaciones finales aproximadas.
- Verifique que los tornillos de retención superiores e inferiores del dedo de aire estén presentes *en todos los extremos de contacto* de las secciones del horno. Ver la Figura 2-7. Los tornillos evitan que los dedos de aire se deslicen entre las secciones del horno.
- Retire los ventiladores axiales posteriores adyacentes a los lados de contacto de los hornos. Los ventiladores se pueden desconectar completamente, o se pueden dejar unidos mediante sus cables, como se indica en la Figura 2-8.

Figura 2-7
Posición y Alineamiento del Horno



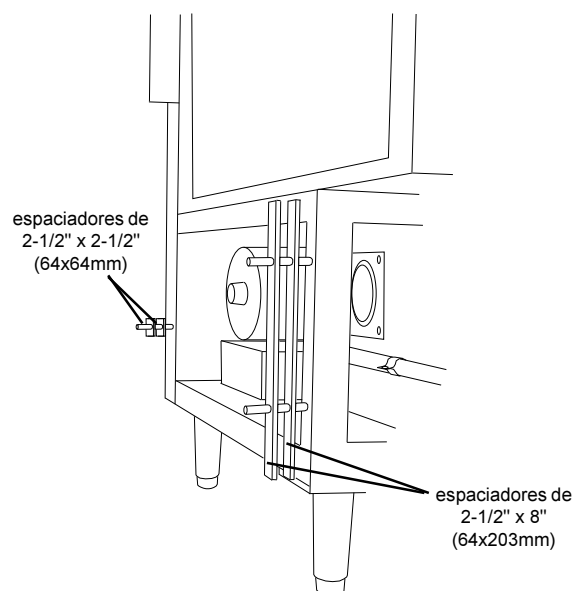
NOTA: El conjunto de la empaquetadura de sellado puede preensamblarse a CUALQUIERA de las cavidades del horno.

Figura 2-8 - Remoción del Ventilador de Enfriamiento



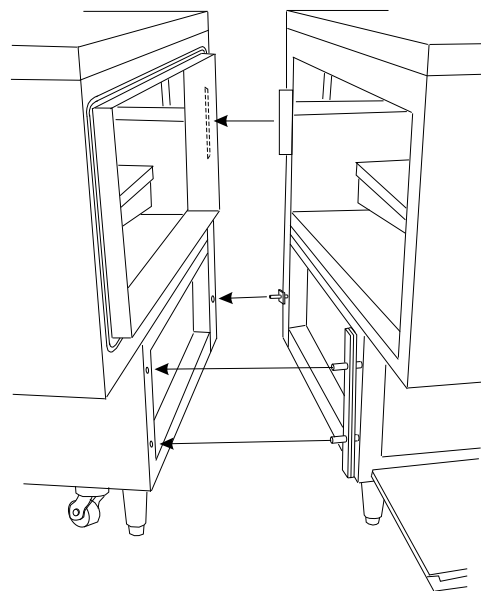
- Inserte tres de los pernos de 1/2 x 5" suministrados a través de los orificios en el bastidor del horno derecho, apuntando hacia afuera, como se indica en la Figura 2-9. Luego deslice los espaciadores a su lugar sobre los pernos.

Figura 2-9 - Pernos y Espaciadores



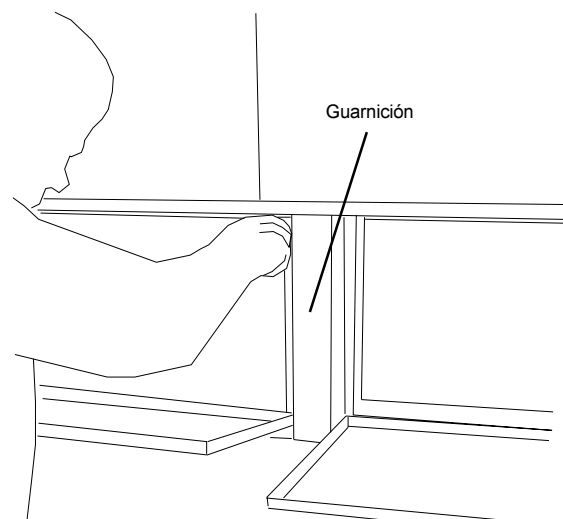
- Junte los hornos. Observe si los pernos de montaje, la placa de alineamiento y la empaquetadura de sellado están debidamente alineados. Ver la Figura 2-10.
- Ajuste todos los pernos de fijación. Observe si los extremos de contacto de los hornos están debidamente alineados. Si aparecen separaciones entre las partes superiores de los hornos, será necesario soltar los pernos de fijación y realinear los hornos.

Figura 2-10 - Alineamiento de las Secciones



- Coloque la guarnición delantera entre los dos hornos, como se indica en la Figura 2-11.
- Reemplace los ventiladores de enfriamiento axiales posteriores. Ver la Figura 2-8.

Figura 2-11 - Instalación de la Guarnición



VI. INSTALACIÓN DEL TRANSPORTADOR

Refiérase ya sea al Paso A o Paso B en esta sección, según corresponda, para instalar el transportador y la banda.

A. Instalación del Transportador - Todos los hornos, EXCEPTO los modelos en tándem

NOTA

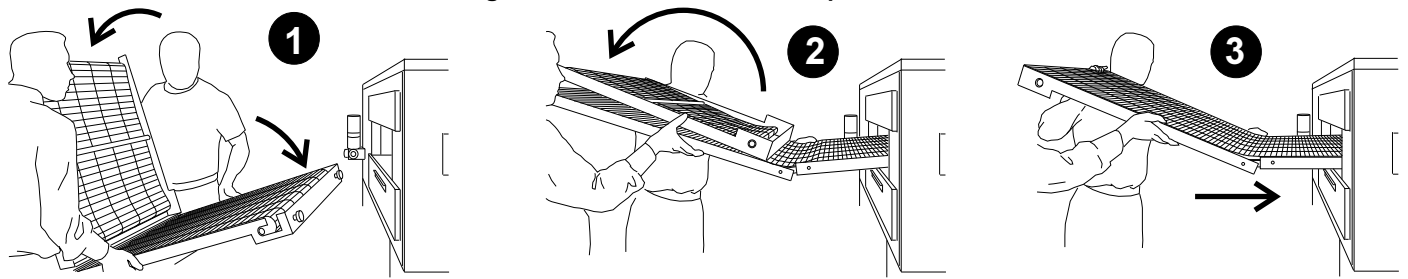
Los transportadores de banda doble sólo pueden instalarse desde el extremo del horno con el motor impulsor.

Los conjuntos de de transportador de banda sencilla pueden insertarse en cualquiera de los extremos del horno. Si se va a instalar desde el final del horno sin el motor impulsor, se debe retirar el conjunto de la rueda dentada motriz.

Para retirar la rueda dentada motriz (si fuera necesario), suelte el tornillo en el collar del transportador como se muestra en la Figura 2-12. Luego tire del conjunto de la rueda dentada hacia afuera.

1. Levante el transportador y colóquelo en el horno como se indica en la Figura 2-13.

Figura 2-13 - Inserción del Transportador



2. Continúe moviendo el transportador en el horno, hasta que el bastidor sobresalga de igual manera de cada extremo del horno (aproximadamente 18"/457mm).
3. Observe si los retenedores ubicados en la parte inferior del bastidor del transportador descansan firmemente contra la compuerta del extremo inferior, como se ve en la Figura 2-14.

NOTA:

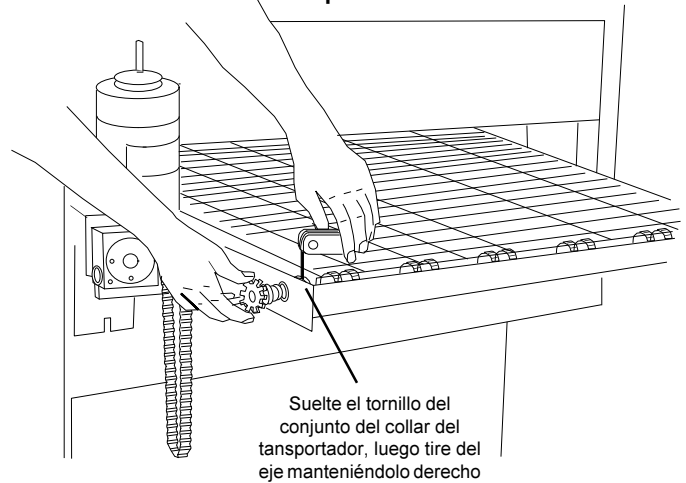
Los hornos PS360EWB tienen una abrazadera de retención que se extiende a todo lo ancho del bastidor del transportador en ambos extremos del bastidor. Todos los otros hornos tienen clips de retención como se muestra en la Figura 2-14, ubicados en el lado (izquierdo) de impulsión del bastidor solamente.

4. Cuando el transportador esté en posición correcta, observe si la banda de transporte se mueve libremente, tirando de ella unos 2 a 3 pies (60 a 90 cm) con sus dedos. El transportador se debe mover libremente.
5. Si se retiró el engranaje de impulsión al instalar el transportador, reemplácelo en este punto.
6. Instale la cadena de impulsión entre la rueda dentada motriz del transportador y la rueda dentada del motor. Para instalar la cadena será necesario levantar ligeramente el extremo de impulsión de transportador. El motor de impulsión y su rueda dentada se muestran en la Figura 2-12.
7. Instale la cubierta del motor de impulsión del transportador y ajuste su tornillo de suspensión (en la pared posterior del horno).
8. Verifique la tensión de la banda de transporte como se indica en la Figura 2-15. La banda se debe levantar entre 3 y 4" (75-100mm). **NO AJUSTE DEMASIADO LA BANDA DE TRANSPORTE.**

NOTA:

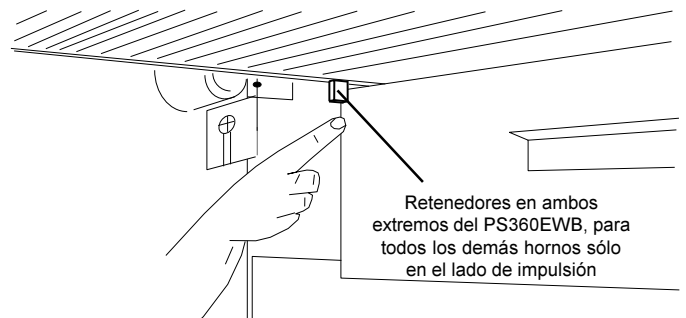
Si fuera necesario, la tensión de la banda se puede ajustar girando los tornillos de ajuste del transportador, ubicados en el extremo de tensión (derecho) del transportador. Ver la Figura 2-15.

Figura 2-12 - Remoción de la rueda dentada motriz del transportador



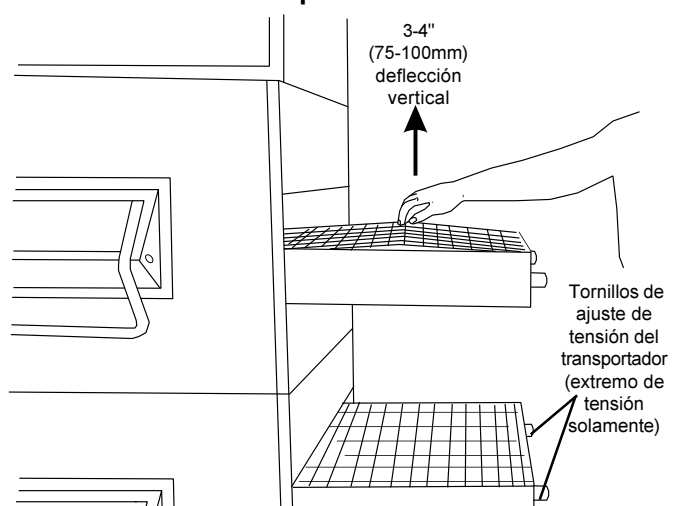
Suelte el tornillo del conjunto del collar del transportador, luego tire del eje manteniéndolo derecho

Figura 2-14 - Retenedores del transportador



Retenedores en ambos extremos del PS360EWB, para todos los demás hornos sólo en el lado de impulsión

Figura 2-15 - Verificación de la tensión del transportador



Tornillos de ajuste de tensión del transportador (extremo de tensión solamente)

B. Instalación del Transportador y de la Banda - Hornos en tándem

NOTA

Para la instalación de hornos que no sean en tándem, pase a la Sección VII, Ensamblado Final.

1. Inserte el bastidor del transportador en el horno de la siguiente manera:

Deslice una sección abisagrada del bastidor del transportador en cada extremo del horno. Las dos secciones se encuentran una contra la otra en la separación entre las dos secciones. Ver la Figura 2-17.

IMPORTANTE

Asegúrese de que la sección de impulsión del bastidor del transportador se encuentra en el mismo extremo del horno que el motor de impulsión del transportador.

2. Deslice la banda de transporte a través de las varillas de soporte debajo del bastidor, y pásela por el horno. Luego, a través de la ventana del horno, tire del extremo libre de la banda a través del horno, de modo que quede sobre el bastidor del transportador.

Luego de que haya tirado de la banda a través del horno, verifique lo siguiente:

- Los eslabones del transportador deben quedar orientados tal como se indica en la Figura 2-18.
- El lado liso de la banda de transporte debe quedar hacia ARRIBA.

3. Conecte los eslabones maestros internos. Verifique que los eslabones estén orientados de la manera mostrada en la Figura 2-18.

4. Conecte los eslabones maestros externos. Observe que los eslabones maestros externos tienen lados derechos e izquierdos. El lado derecho tiene un gancho abierto orientado hacia usted, tal como se indica en la Figura 2-19.

5. Verifique la libertad de movimiento de la banda de transporte tirando de ella entre 2 y 3 pies (60 y 90 cm) con los dedos. El transportador debe moverse libremente.

6. Verifique la tensión de la banda de transporte como se indica en la Figura 2-15 (en la página anterior). La banda debe levantarse entre 3 y 4" (75 y 100mm). **NO AJUSTE DEMASIADO LA BANDA DE TRANSPORTE.** Si fuera necesario, la tensión de la banda puede ajustarse girando los tornillos de ajuste del transportador, ubicados en el extremo de tensión (derecha) del transportador.

7. **UNA SIN AJUSTAR** el motor de impulsión del transportador a la pared del extremo del horno. Refiérase a la Figura 2-12 (para hornos con bastidores para transportadores estándar) o a la Figura 2-20 (para hornos con bastidores para transportadores para servicio pesado).

8. Ensamble la cadena de impulsión del transportador en posición sobre las ruedas dentadas motrices del motor y del transportador.

9. Coloque el motor en posición para ajustar el juego de la cadena de impulsión a 3/4" (19mm). **NO AJUSTE DEMASIADO LA CADENA DE IMPULSIÓN.** Luego ajuste los pernos para asegurar el motor en posición.

VII. ENSAMBLADO FINAL

1. Ensamble las compuertas del extremo y la cubierta del motor al horno. Estos componentes se muestran en la Figura 1-1 (en la Página 1).

2. Deslice las extensiones del transportador sobre los extremos del bastidor del transportador. Asegúrese de que la extensión con la abertura para la rueda dentada motriz se encuentre en el extremo de impulsión.

NOTA

El horno PS360EWB no utiliza extensiones del transportador.

3. Refiérase a la Figura 2-21 para la ubicación correcta de cada bandeja colectora. Luego instale las bandejas colectoras debajo del transportador, como se muestra en la Figura 2-22. Primero coloque el borde interior de la bandeja en la abazadera unida a la compuerta del extremo. Luego mueva hacia arriba el borde exterior de la bandeja hasta colocarlo en su lugar.

4. Presione el tope final sobre el borde de la extensión del transportador en el extremo de salida del horno. Ver la Figura 2-22.

5. Una vez que el horno se coloca en su ubicación definitiva, ajuste la sección inferior de las patas, de modo que el horno esté nivelado y que las ruedas no toquen el piso.

Figura 2-17 - Instalación del transportador en Tándem

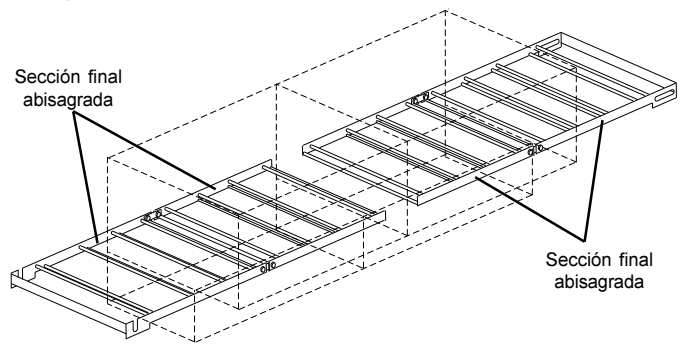


Figura 2-18 - Orientación del Transportador y del eslabón maestro interno

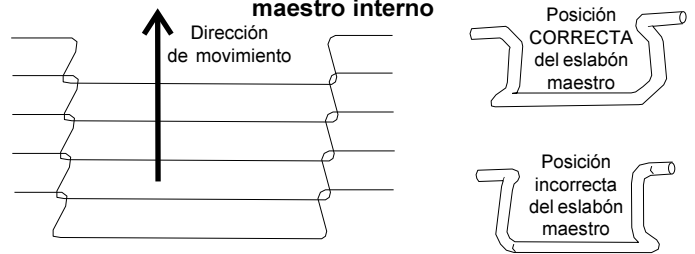


Figura 2-19 - Orientación del Eslabón Maestro Externo

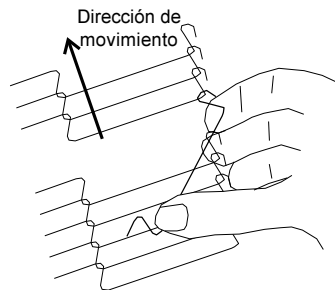


Figura 2-20 - Motor de impulsión para bastidor de horno en tándem para servicio pesado Bastidor

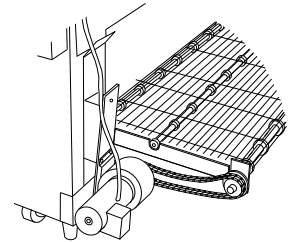


Figura 2-21 - Posiciones de la bandeja colectora

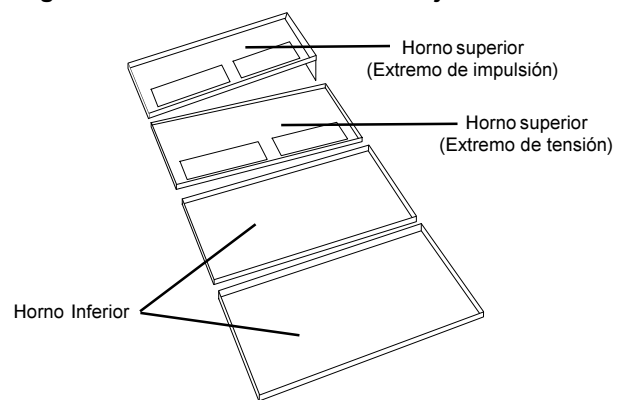
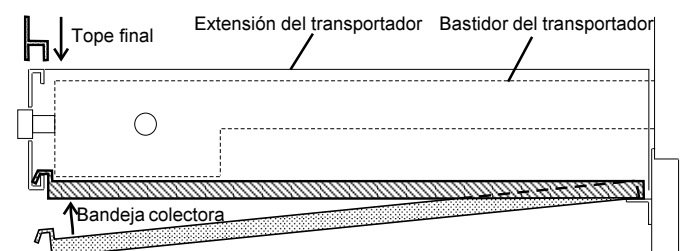


Figura 2-22 - Bandejas colectoras, extensiones y tope final



VIII. SUMINISTRO ELÉCTRICO (todos los hornos)

**AVISO**

Normalmente las conexiones del sistema de ventilación, suministro eléctrico y suministro de gas son realizadas por personal autorizado por el proveedor, de acuerdo con las estipulaciones del cliente. El instalador autorizado por el fabricante puede llevar a cabo el encendido inicial del horno luego de que se hagan estas conexiones.

NOTA: La instalación del suministro eléctrico debe satisfacer los requisitos de la autoridad estatutoria correspondiente, tales como el Código Eléctrico Nacional (NEC), ANSI/NFPA70, (EE. UU.); el Código Eléctrico Canadiense, CSA C22.2; el Código Australiano AG601; u otras regulaciones correspondientes.

NOTA: La conexión del suministro eléctrico debe satisfacer todos los requisitos eléctricos nacionales y locales.

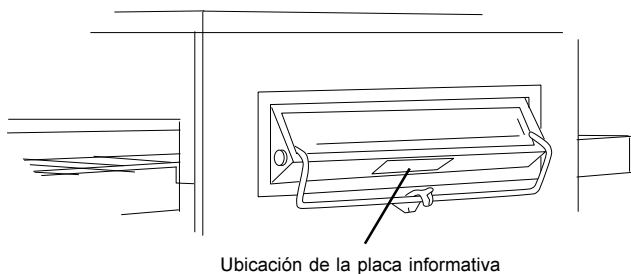
Revise la placa informativa del horno antes de realizar cualquier conexión eléctrica. Las conexiones eléctricas deben coincidir con los datos en la placa informativa. La ubicación de dicha placa se muestra en la Figura 2-23.

Se **DEBE** instalar un interruptor de desconexión con fusibles o un disyuntor de circuito principal (suministrado por el cliente) para cada cavidad del horno. Se recomienda que este interruptor/disyuntor tenga capacidad de bloqueo/aviso.

Los conductores de suministro deben ser del tamaño y del material recomendados (cobre). Refiérase al diagrama de cableado dentro del compartimiento de mecanismos o de control del horno. Las especificaciones eléctricas también están enumeradas en la placa informativa del horno (Figura 2-23) y en la tabla de Especificaciones Eléctricas (en la Página 53).

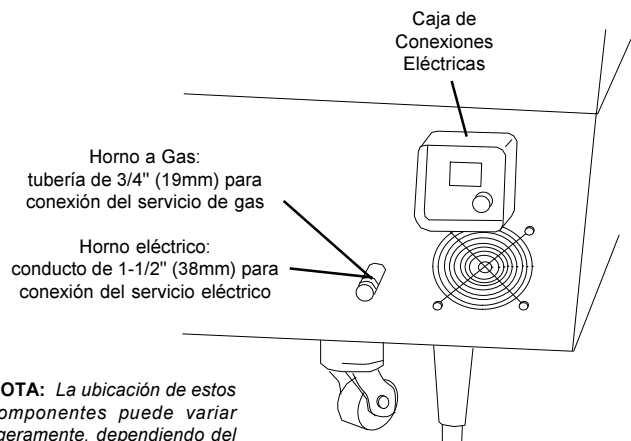
El horno requiere una conexión de tierra al tornillo de tierra del horno, ubicado en la caja de conexiones eléctricas. (La caja se muestra en la Figura 2-24.) Si fuera necesario, haga que el electricista le proporcione un cable de tierra. **¡NO use el conducto de cableado u otra tubería para las conexiones de tierra!**

Figura 2-23 - Placa Informativa del Horno



Ubicación de la placa informativa

Figura 2-24 - Ubicaciones de las Conexiones de Servicio



Horno a Gas:
tubería de 3/4" (19mm) para
conexión del servicio de gas

Horno eléctrico:
conducto de 1-1/2" (38mm) para
conexión del servicio eléctrico

NOTA: La ubicación de estos componentes puede variar ligeramente, dependiendo del modelo del horno.

PRECAUCIÓN

Antes de conectar el horno al suministro de electricidad, mida el voltaje de cada circuito derivado de entrada a neutro. El voltaje esperado es de aproximadamente 120V. CUALQUIER voltaje superior a los 130V indica que el suministro tiene una entrada "alta". LA CONEXIÓN DEL HORNO A UN CIRCUITO DERIVADO "ALTO" CANCELA TODAS LAS GARANTÍAS DEL HORNO. Si conecta el terminal negro del horno a un circuito derivado "alto" puede causar daños graves a los componentes eléctricos y electrónicos del horno.

PRECAUCIÓN

NO CONECTE EL CABLE NEGRO A UN CIRCUITO DERIVADO ALTO. EL VOLTAJE DE LOS CABLES NEGRO Y BLANCO NO DEBE SER SUPERIOR A 130 VCA.

A. Información Adicional - Hornos Eléctricos

En los hornos eléctricos, un orificio de 1-1/4" (32mm) de diámetro en la pared posterior del compartimiento de mecanismos proporciona acceso a las conexiones del suministro eléctrico. El uso de cables flexibles para los conductores del suministro de energía eléctrica requiere un accesorio de anclaje contra tirones de 1-1/4" (32mm) (no proporcionado con el horno) para permitir el acceso seguro al bloque de terminales desde el que se distribuye la energía al horno.

B. Información Adicional - Hornos a Gas

Todas las conexiones de suministro eléctrico de los hornos a gas se llevan a cabo a través de la caja de conexiones eléctricas en la parte posterior del horno, mostrada en la Figura 2-24. Las líneas de energía se conectan entonces a los circuitos del horno a través del Interruptor de Seguridad del Panel de Acceso al Compartimiento de Mecanismos. Este interruptor desconecta la energía eléctrica al horno cuando se abre el Panel de Acceso al Compartimiento de Mecanismos.

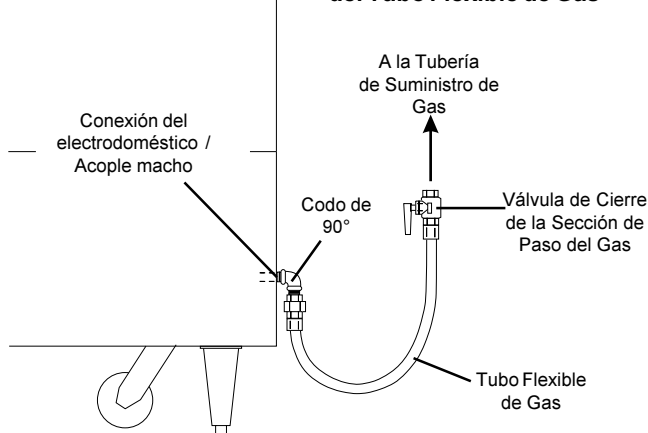
C. Información Adicional - Hornos con Transformadores Externos (versiones para exportación)

Coloque el transformador en la pared posterior del horno, en el mismo lado que el compartimiento de control, según lo permita el espacio. Asegúrelo en posición usando la tornillería de montaje suministrada.

D. Conexión

Refiérase al diagrama de cableado dentro del compartimiento de mecanismos o del compartimiento de control del horno para determinar las conexiones correctas para las líneas de suministro eléctrico. Conecte el suministro como se indica en el diagrama. Asegúrese de conectar el cable de tierra del suministro eléctrico al tornillo de tierra del horno, ubicado en la caja de conexiones en la parte posterior del horno.

Figura 2-25 - Instalación del Tubo Flexible de Gas



IX. SUMINISTRO DE GAS (solamente hornos a gas)

PRECAUCIÓN

DURANTE LAS PRUEBAS DE PRESIÓN OBSERVE LO SIGUIENTE:

1. El horno y su válvula de cierre individual deben estar desconectados del sistema de tuberías de suministro de gas durante cualquier prueba de presión del sistema en la que la presión de prueba sea mayor a 1/2 psi (3.45 kPa).
2. El horno debe ser aislado del sistema de tuberías de suministro de gas cerrando la válvula de cierre manual durante cualquier prueba de presión del sistema de tuberías de suministro de gas en la que la presión de prueba sea igual o inferior a 1/2 psi (3.45 kPa).

3. Si la presión de entrada es superior a 14" W.C. (35mbar), se **DEBE** instalar un regulador separado en la línea **ANTES** de la válvula de cierre individual del horno.

AVISO: Para evitar daños al regulador de la válvula de control durante el encendido inicial del gas, es **muy importante** abrir la válvula de cierre manual **muy lentamente**.

Luego del encendido inicial del gas la válvula de cierre manual debe permanecer abierta, a excepción de cuando se hagan pruebas de presión como las indicadas en los pasos anteriores, o cuando sea necesario durante el mantenimiento.

A. Recomendaciones para la instalación del servicio de gas
RECOMENDAMOS REITERADAMENTE que se observen las siguientes especificaciones del sistema de gas. Si no se siguen estas recomendaciones el rendimiento del horno puede verse afectado.

Contador de gas

- Una o dos cavidades del horno: contador 750 pies³/hora
- Tres o cuatro cavidades del horno: contador 1200 pies³/hora

Línea de gas

- TUBERÍA EXCLUSIVA desde el contador de gas al horno
- Tubería para gas natural de 2" (50.8 mm)
- Tubería para propano de 1-1/2" (38.1 mm)
- Longitud máxima: 200' (61 m). Cada codo de 90° es igual a 7' (2.13 m) de tubería.

B. Conexión

Verifique los requisitos del suministro de gas antes de llevar a cabo la conexión del servicio de gas. Los requisitos del suministro de gas están enumerados en la placa informativa del horno (Figura 2-23) y en la tabla de Especificaciones del Orificio y Presión del Gas. (Página 53 de este manual).

Lea la placa informativa para determinar el tipo de gas (Propano o Natural) a utilizar con el horno.

Refiérase a las instrucciones en el paquete del tubo de gas (incluido en el Juego de Instalación) antes de conectar la línea de gas. En la Figura 2-25; se muestra un método de conexión de la línea de gas, sin embargo es obligatorio adherirse a los estándares y regulaciones correspondientes.

Las lecturas de presión de entrada, regulada y del piloto se pueden tomar usando un manómetro de tubo en "U" en los puntos de lectura mostrados en la Figura 2-26.

NOTA

La instalación debe ajustarse a los códigos locales o, en su ausencia, a la más reciente edición del Código Nacional de Gas Combustible, ANSI Z223.1.

En Australia, la instalación debe ajustarse al Código AGA AG601 y a cualquiera de los requisitos de la autoridad estatutoria correspondiente.

CANADÁ:

CAN/CGA-B 149.1 Código de Instalación de Gas Natural
CAN/CGA-B 149.2 Código de Instalación de Gas Propano

Existen ciertas normas de seguridad para la instalación de hornos a gas; Refiérase al principio de la Sección 2 para una lista de los estándares de instalación. Además, debido a que el horno está equipado con ruedas, la conexión de la línea de gas debe hacerse con un conector que cumpla con el Estándar para Conectores para Dispositivos a Gas Móviles, ANSI Z21.69 (en EE.UU.), o, si corresponde, Conectores para Dispositivos a Gas Móviles, CAN/CGA-6.16 (en Canadá), así como con un dispositivo de desconexión rápida que cumpla con el Estándar para Dispositivos de Desconexión Rápida para Uso con Gases Combustibles, ANSI Z21.41 (en EE.UU.), o, si corresponde, Dispositivos de Desconexión Rápida para Uso con Gases Combustibles, CAN1-6.9 (en Canadá).

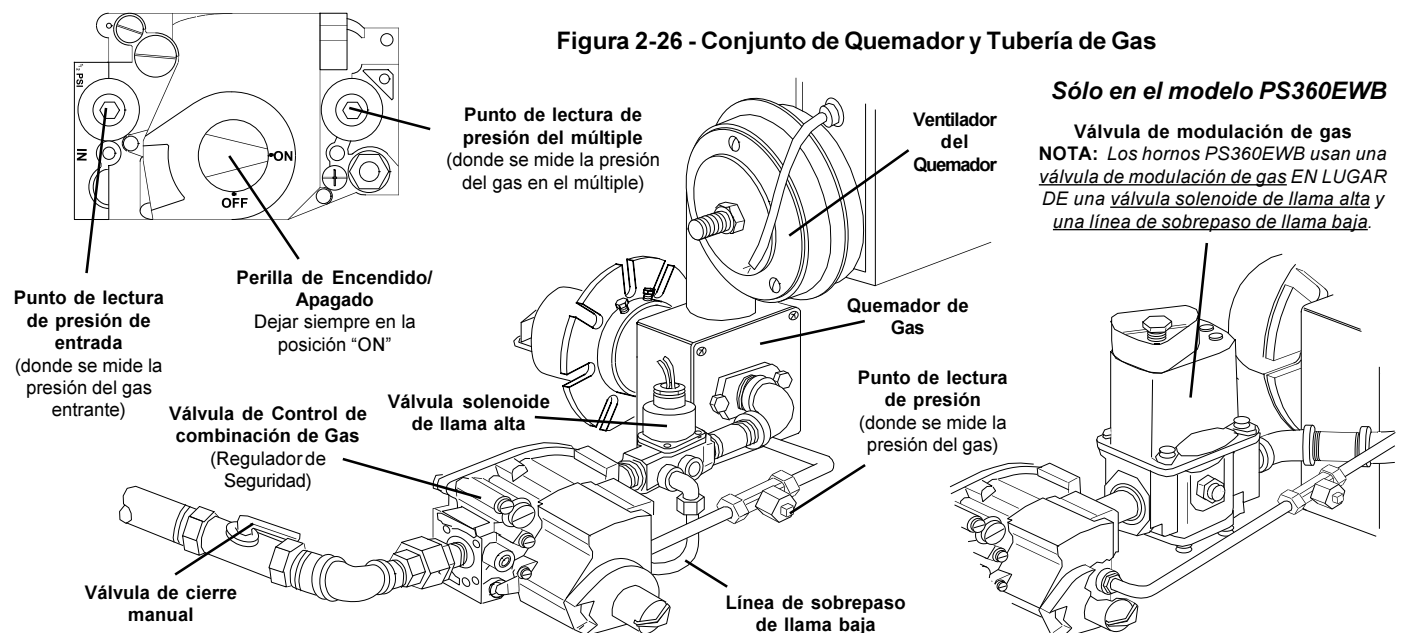
C. Conversión Según el Tipo de Gas

Siempre que lo permitan los códigos locales y nacionales, es posible convertir hornos de gas natural a propano, o de propano a natural. Use el Juego de Conversión de Gas de Middleby Marshall para el modelo de horno específico.

**AVISO**

Todas las instalaciones, conversiones y trabajo de servicio deben ser realizados por un agente de servicio autorizado.

Figura 2-26 - Conjunto de Quemador y Tubería de Gas



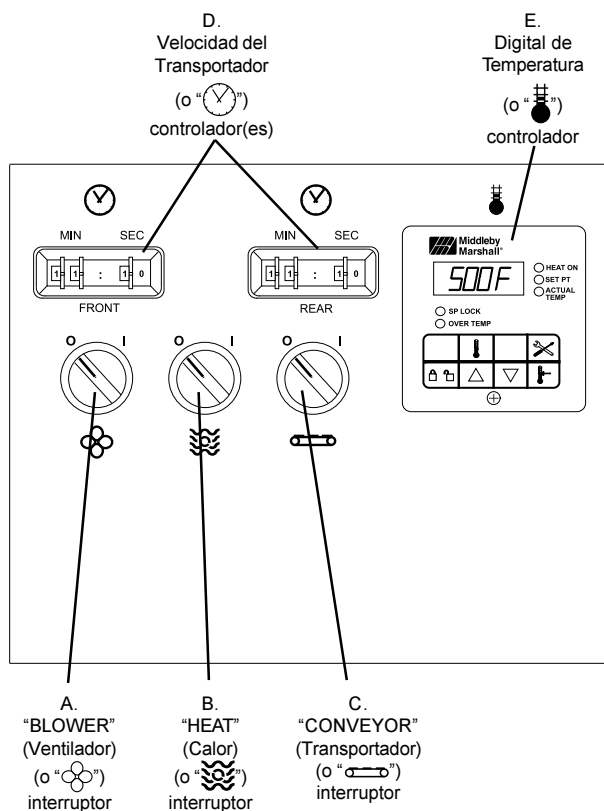
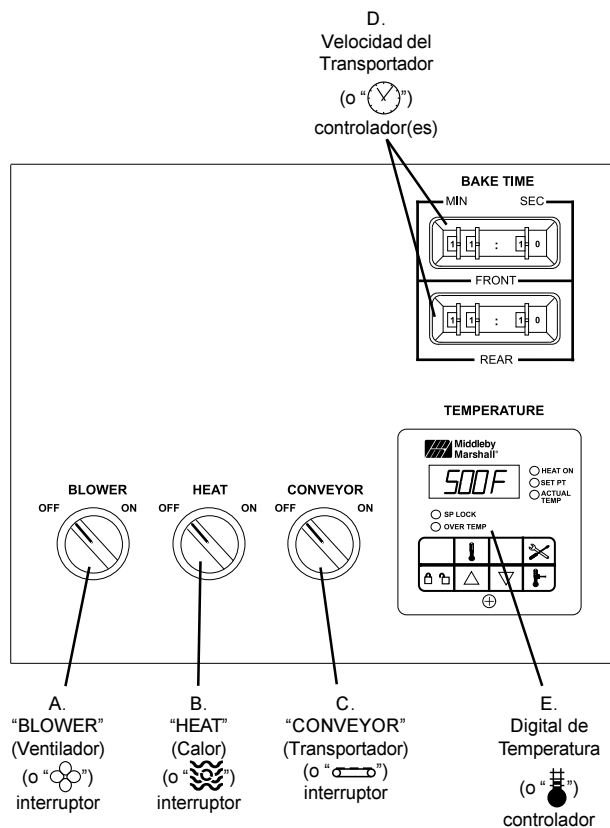
SECCIÓN 3 - OPERACIÓN

I. UBICACIÓN Y DESCRIPCIÓN DE LOS CONTROLES

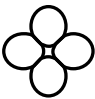

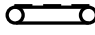
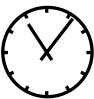

Fig. 3-1 - Panel de Control

Todos los hornos, excepto PS360EWB y PS360WB70

solamente PS360EWB y PS360WB70



ESPAÑOL

- A.  **Interruptor "BLOWER" (Ventilador):** Enciende y apaga los ventiladores y los ventiladores de enfriamiento. El interruptor HEAT (Calor) no tiene efecto, a no ser que el interruptor BLOWER esté en la posición "ON".
- B.  **Interruptor "HEAT" (Calor):** Permite encender el quemador de gas. La activación del quemador de gas es determinada por los ajustes en el Controlador Digital de Temperatura.
- C.  **Interruptor "CONVEYOR" (Transportador):** Enciende y apaga el motor impulsor del transportador. En los hornos en tándem y doble tándem este interruptor se encuentra solamente en la(s) sección(es) izquierda.
- D.  **Controlador de Velocidad del Transportador:** Ajusta y muestra el tiempo de horneado. Los hornos de banda sencilla tienen un controlador. Los hornos de banda doble tienen un controlador para cada banda, marcados "FRONT" (Delantera) y "BACK" (Posterior). En los hornos en tándem y doble tándem este control se encuentra solamente en la(s) sección(es) izquierda.
- E.  **Controlador Digital de Temperatura:** Vigila continuamente la temperatura del horno. Los ajustes del Controlador Digital de Temperatura controlan la activación del quemador de gas.

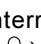
NO MOSTRADO:

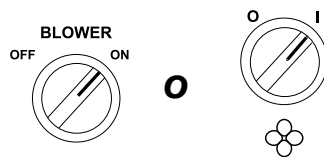
- F. **Interruptor de Seguridad del Panel de Acceso al Compartimiento de Mecanismos:** Desconecta la energía eléctrica a los controles y a los ventiladores al abrir el panel de acceso del compartimiento de mecanismos. El panel solamente debe abrirlo el personal de servicio autorizado.

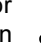
II. OPERACIÓN NORMAL - PASO A PASO

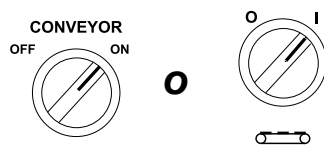
A. PROCEDIMIENTO DIARIO DE ENCENDIDO

1. Verifique que el disyuntor/conector con fusible se encuentre en la posición ON. Si el horno está equipado con una ventana, verifique que ésta esté cerrada.

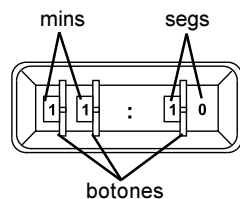
2. Coloque el interruptor "BLOWER" (o ) en la posición "ON" (o "I").



3. Coloque el interruptor "CONVEYOR" (o ) en la posición "ON" (o "I").

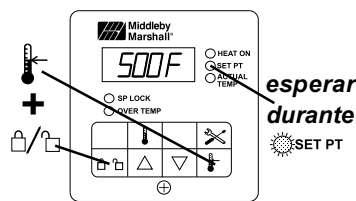


4. Si fuera necesario, ajuste la velocidad del transportador girando las tres ruedecillas para cambiar el tiempo de horneado mostrado.

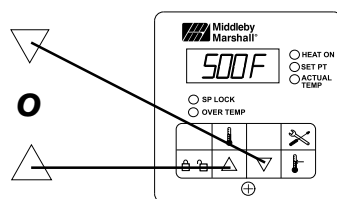



5. Ajuste el controlador de temperatura a la temperatura deseada.

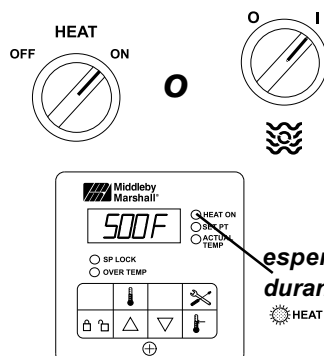
- Presione las teclas Set Point (Punto prefijado) y Unlock (Abrir) al mismo tiempo. Espere a que la luz "SET PT" se encienda.



- Presione las flechas Arriba y Abajo según sea necesario para ajustar el punto prefijado.

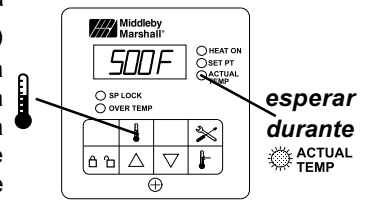


6. Coloque el interruptor "HEAT" (o ) switch to the "ON" (or "I") en la posición "ON" (o "I"), y espere a que la luz "HEAT ON" se encienda.



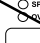

7. Espere a que el horno se caliente a la temperatura prefijada. Las temperaturas prefijadas más altas requerirán una espera más larga. El horno puede alcanzar una temperatura de 500°F (232°C) en aproximadamente 5 minutos.

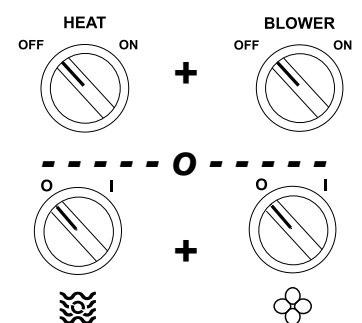
8. (Opcional) Presione la tecla de "Temperatura" para mostrar la Temperatura Actual en la pantalla y espere a que la luz "ACTUAL TEMP" se encienda. Esto le permite monitorear la temperatura del horno mientras asciende al punto prefijado.




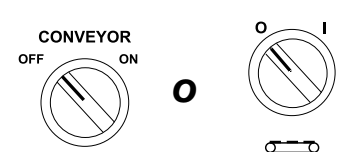
9. Permita que el horno se precaliente durante 10 minutos una vez que haya llegado a la temperatura prefijada.

B. PROCEDIMIENTO DIARIO DE APAGADO

1. Coloque los interruptores "HEAT" (o ) y "BLOWER" (o ) en la posición "OFF" (o "O"). OBSERVE que los ventiladores permanecerán funcionando hasta que el horno se enfríe a menos de 200°F (93°C).


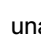
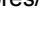


2. Asegúrese de que no queden productos en el transportador dentro del horno. Coloque el interruptor "CONVEYOR" (o ) en la posición "OFF" (o "O").



3. Si el horno está equipado con una ventana, ábrala para permitir que el horno se enfríe más rápidamente.
4. Una vez que el horno se ha enfriado y los ventiladores se han apagado, coloque los disyuntores/conectores con fusible en la posición OFF.

IMPORTANTE

En los hornos de gas, si la luz indicadora "HEAT ON" no se enciende, o si el horno no calienta, el quemador de gas puede no haberse encendido. Coloque los interruptores "HEAT" () , "BLOWER" () , y "CONVEYOR" () en la posición "OFF" ("O"). Espere POR LO MENOS CINCO MINUTOS antes de volver a arrancar el horno. Luego repita el procedimiento Diario de Encendido.

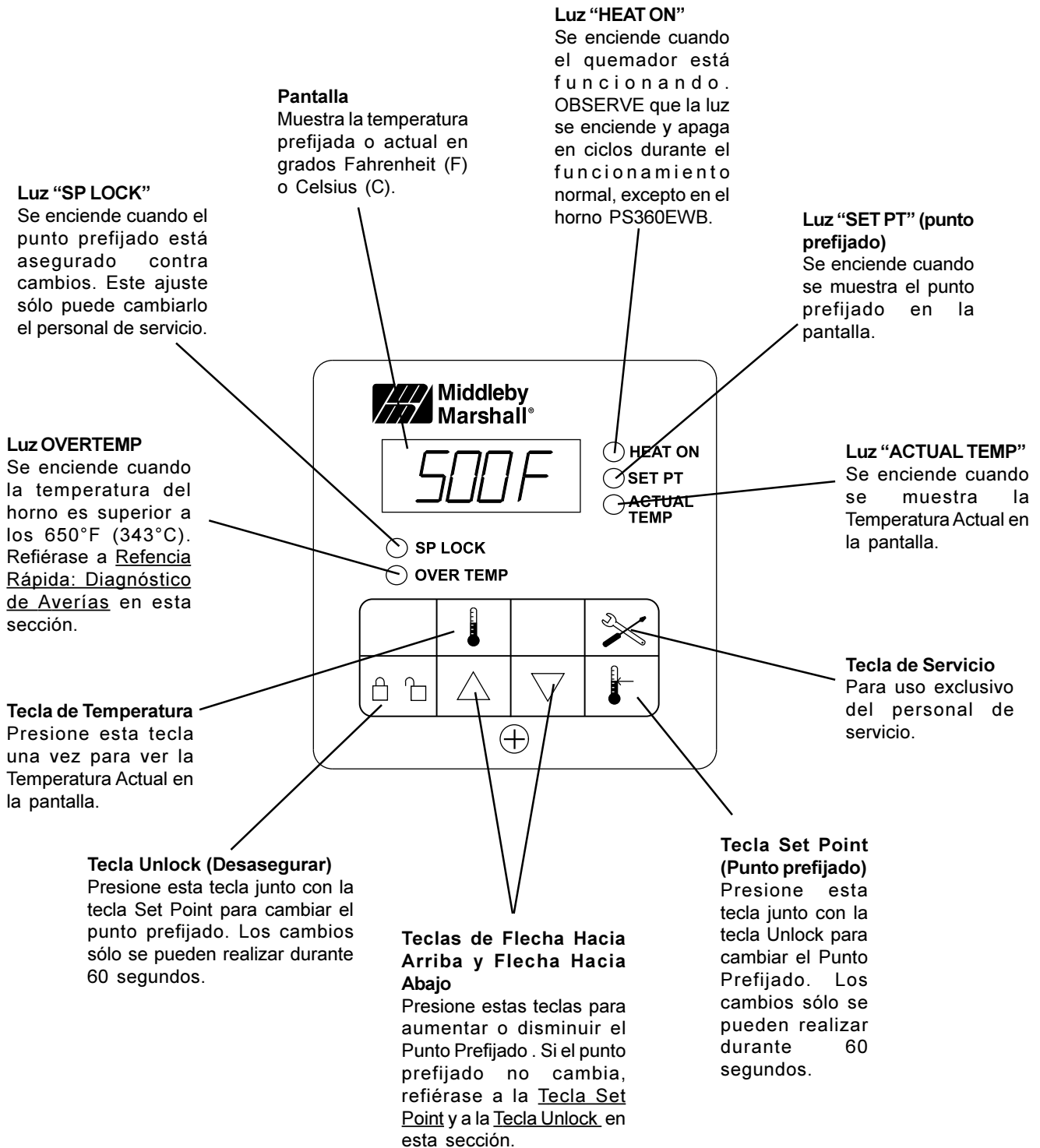
PRECAUCION

En caso de falla eléctrica, coloque todos los interruptores en la posición "OFF" (o "O"), abra la ventana del horno y retire el producto. Luego de que la energía haya retornado, lleve a cabo el procedimiento normal de encendido.

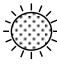
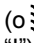
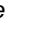
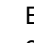
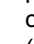
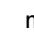
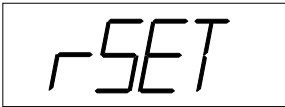
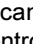



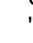
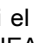

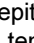
El quemador no funcionará, ni el gas fluirá por el quemador sin energía eléctrica. No se debe intentar operar el horno durante una falla eléctrica.

III. REFERENCIA RÁPIDA: CONTROLADOR DIGITAL DE TEMPERATURA

ESPAÑOL



V. REFERENCIA RÁPIDA: DIAGNÓSTICO DE AVERÍAS

SÍNTOMA	PROBLEMA	SOLUCIÓN
 OVERTEMP La luz está encendida, el producto alimenticio está mal cocido El horno no se enciende El horno se apaga poco después de que se enciende	<p>La temperatura del horno excedió los 650°F (343°C), y el quemador se apagó automáticamente.</p> <p>Es posible que la electricidad no esté llegando al horno, o que los controles se hayan ajustado incorrectamente.</p> <p>El quemador de gas no se encendió dentro de los primeros 90 segundos tras colocar el interruptor "HEAT" (o ) a la posición "ON" (o "I"). Esto activa automáticamente un modo automático de cancelación.</p>	<ul style="list-style-type: none"> Siga los procedimientos bajo <u>Procedimientos Diarios de Apagado</u> en esta sección para apagar el horno. Póngase en contacto con su Agente de Servicio Autorizado de Middleby Marshall para determinar y corregir la causa de la condición y evitar daños al horno. Verifique que el disyuntor/conector con fusible esté activado. Verifique que el interruptor "BLOWER" (o ) esté en la posición "ON" (o "I"). El quemador no puede activarse hasta que los ventiladores estén funcionando. Coloque los interruptores "HEAT" (o ) "BLOWER" (o ) y "CONVEYOR" (o ) en la posición "OFF" (o "O"). Espere POR LO MENOS CINCO MINUTOS antes de volver a arrancar el horno. Repita el procedimiento Diario de Encendido.
 aparece en la pantalla, el horno no se calienta El horno no se calienta	<p>El horno no alcanzó los 200°F (93°C) dentro de 15 minutos tras el encendido y el horno ha dejado de calentarse.</p> <p>Es posible que los controles estén ajustados incorrectamente.</p>	<ul style="list-style-type: none"> Coloque los interruptores "HEAT" (o ) "BLOWER" (o ) y "CONVEYOR" (o ) en la posición "OFF" (o "O"). Espere POR LO MENOS CINCO MINUTOS antes de volver a arrancar el horno. Repita el procedimiento Diario de Encendido. Verifique que el Punto de Ajuste esté correctamente fijado. Verifique que los interruptores "BLOWER" (o ) y "HEAT" (o ) estén en la posición "ON" (o "I"). Si el horno todavía no se calienta, coloque los interruptores "HEAT" () "BLOWER" () y "CONVEYOR" () en la posición "OFF" ("O"). Espere POR LO MENOS CINCO MINUTOS antes de volver a arrancar el horno. Repita el procedimiento Diario de Encendido. Verifique que la temperatura esté por encima de los 200°F (93°C).
El horno funciona, pero sale poco aire o no sale aire de los dedos de aire	<p>Es posible que los dedos de aire hayan sido reensamblados incorrectamente luego de limpiarlos.</p>	<ul style="list-style-type: none"> Apague el horno y permita que se enfríe. Desconecte el suministro de energía eléctrica al horno. Refiérase a la Sección 4, <u>Mantenimiento</u>, para instrucciones sobre cómo reensamblar los dedos de aire.
El transportador se mueve bruscamente, o no se mueve	<p>El transportador puede haberse atascado con un objeto en el horno, o es posible que la tensión de la banda de transporte o de la cadena de impulsión sea incorrecta.</p>	<ul style="list-style-type: none"> Apague el horno y permita que se enfríe. Desconecte el suministro de energía eléctrica al horno. Verifique que el transportador no esté bloqueado con algún objeto dentro del horno. Refiérase a la Sección 4, <u>Mantenimiento</u>, para las instrucciones sobre cómo revisar la tensión del transportador y de la cadena de impulsión.
Los alimentos están crudos o recocidos.	<p>Es posible que los controles estén ajustados incorrectamente.</p>	<ul style="list-style-type: none"> Verifique que la temperatura y tiempo de horneado ajustados sean correctos.

SI EL PROBLEMA NO SE SOLUCIONA CON ESTOS PASOS, PÓNGASE EN CONTACTO CON SU AGENTE DE SERVICIO AUTORIZADO DE MIDDLEBY MARSHALL. CON SU HORNO SE LE HA ENTREGADO UN DIRECTORIO DE AGENCIAS DE SERVICIO.

SECCIÓN 4 - MANTENIMIENTO

AVISO

Antes de realizar CUALQUIER procedimiento de limpieza o servicio del horno, haga lo siguiente:

1. Apague el horno y permita que se enfríe. NO le preste servicio al horno mientras se encuentre tibio.
2. Desconecte el(los) disyuntor(es) del suministro de energía eléctrica y desconecte el suministro eléctrico al horno.
3. Si fuera necesario mover el horno para limpiarlo o para prestarle servicio, desconecte la conexión de suministro de gas antes de mover el horno.

Cuando complete todos los procedimientos de limpieza y servicio del horno:

1. Si se movió el horno para darle servicio, devuélvalo a su ubicación original. Ajuste las patas de modo que estén correctamente asentadas en el piso.
2. Vuelva a conectar el suministro de gas.
3. Vuelva a conectar el suministro eléctrico.
4. Abra la válvula de seguridad de la sección de paso. Pruebe las conexiones de las tuberías de gas para ver si hay fugas, utilizando productos de prueba aprobados o una solución espesa de agua jabonosa.
5. Active los disyuntores del suministro eléctrico.
6. Lleve a cabo el procedimiento de encendido normal.

AVISO

Este horno contiene partes móviles y puntos de descarga eléctrica que pueden ocasionar lesiones. Desconecte y asegure/identifique el suministro eléctrico ANTES de desensamblar, limpiar o dar servicio a cualquier horno. Nunca desensamble o limpie un horno con el interruptor BLOWER o cualquier otro circuito del horno encendido.

PRECAUCIÓN

NUNCA use una manguera de agua o equipo de limpieza de vapor a presión para limpiar este horno. NO use cantidades excesivas de agua, para evitar saturar el material aislante del horno. NO use un limpiador de hornos cáustico que podría dañar las superficies de la cámara de horneado revestidas de aluminio.

NOTA

CUALQUIER pieza de repuesto que se encuentre en el interior del horno, SÓLO puede ser reemplazada por un Agente de Servicio Autorizado de Middleby Marshall.

NOTA

Se recomienda que los procedimientos de mantenimiento trimestrales y semestrales sean llevados a cabo SOLAMENTE por un Agente de Servicio Autorizado de Middleby Marshall.

I. MANTENIMIENTO - DIARIO

- Verifique que el horno esté frío y que la energía esté desconectada, tal como se describe en la advertencia de la Página 68.
- Limpie el exterior del horno con un paño y detergente suaves.
- Limpie TODAS las parrillas de los ventiladores y orificios de ventilación con una escobilla dura de nilón. Refiérase a las Figuras 4-1, 4-2, y 4-3 para la ubicación de las parrillas y orificios de ventilación.
- Verifique que TODOS los ventiladores de enfriamiento estén funcionando debidamente.

PRECAUCIÓN

Si alguno de los ventiladores de enfriamiento no funciona correctamente, debe ser reemplazado INMEDIATAMENTE. La operación del horno sin enfriamiento adecuado puede dañar gravemente los componentes internos del horno.

- Limpie las bandas del transportador con una escobilla dura de nilón. Esto es más fácil de hacer si permite que el transportador funcione mientras usted se coloca en el extremo de salida del transportador y limpia las migajas del transportador mientras se mueve.
- Retire y limpie las bandejas colectoras. Asegúrese de volver a colocar las bandejas en la posición original, ya que NO son idénticas. Refiérase a las figuras de la Página 10 en la sección de Instalación.
- SÓLO PARA LOS HORNOS EQUIPADOS CON VENTANAS: Limpie la ventana sin retirarla.

Figura 4-1 - Ubicación de los ventiladores de enfriamiento/ Orificios de ventilación:

Todos los hornos, excepto PS360EWB y PS360WB70

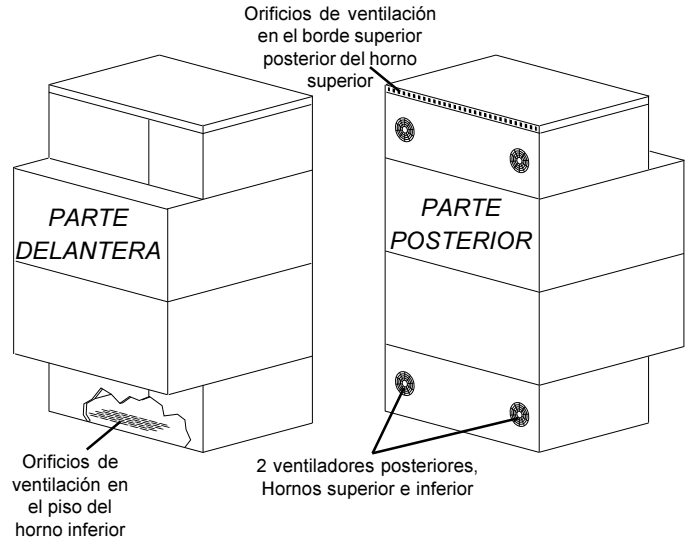


Figura 4-2 - Ubicación de los ventiladores de enfriamiento/ Orificios de ventilación: PS360EWB

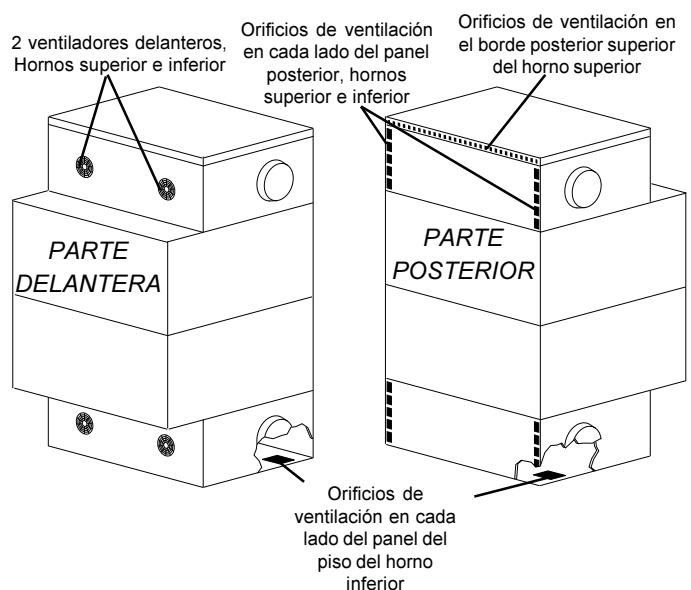
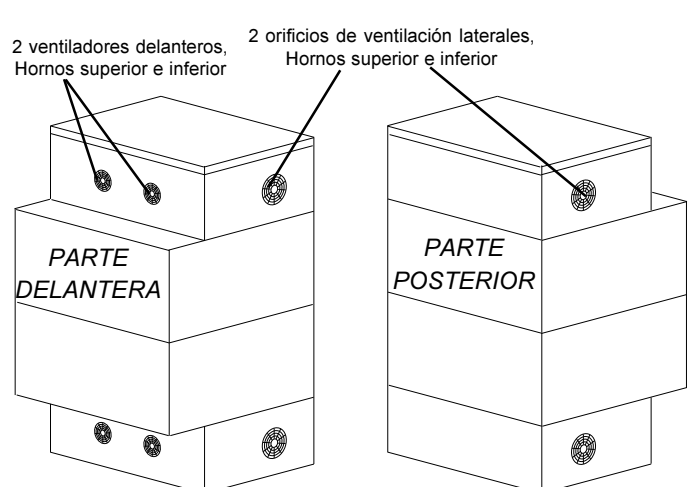


Figura 4-3 - Ubicación de los ventiladores de enfriamiento/ Orificios de ventilación: PS360WB70



II. MANTENIMIENTO - MENSUAL

NOTA

Cuando retire el transportador, refiérase a los dibujos de las Páginas 60-61 en la sección *Instalación*.

- A. Verifique que el horno esté frío y que la energía esté desconectada, tal como se describe en la advertencia en la Página 68.
- B. Retire el protector del motor de impulsión y las cubiertas de la extensión del transportador del horno. Desconecte la cadena de impulsión de la rueda dentada ubicada en el eje impulsor del transportador.
- C. Deslice el transportador fuera del horno.

NOTA

Los transportadores de banda doble solamente pueden retirarse desde el extremo del horno con el motor de impulsión.

Los conjuntos de transportadores de una sola banda pueden ser retirados desde cualquiera de los extremos del horno. Si va a retirarse desde el extremo del horno sin el motor de impulsión, retírese el conjunto de la rueda dentada motriz.

Para retirar la rueda dentada motriz (si fuera necesario), suelte el tornillo de fijación en el collar del transportador como se muestra en la Figura 2-12 (en la Página 60). Luego, tire del conjunto de la rueda dentada hacia afuera.

- D. Retire las compuertas del extremo del horno. Las compuertas de extremo se muestran en la Figura 1-1, en la Página 52 de este Manual.
- E. Deslice los dedos de aire y las placas ciegas fuera del horno, tal como se muestra en la Figura 4-4. AL IR RETIRANDO CADA DEDO O PLACA, MÁRQUELOS CON UN "CÓDIGO DE UBICACIÓN" para asegurarse de que puede reinstalarlos correctamente.

Ejemplos de marcas:

(Hilera superior)	T1	T2	T3	T4	T5	T6
(Hilera inferior)	B1	B2	B3	B4	B5	B6

- F. Desensamble los dedos de aire en la forma indicada en la Figura 4-5. AL DESENSAMBLAR CADA DEDO, MARQUE EL "CÓDIGO DE UBICACIÓN" EN CADA UNA DE SUS TRES PIZAS. Esto le ayudará a reensamblar los dedos de aire correctamente.

PRECAUCIÓN

Un reensamblado incorrecto de los dedos de aire cambiará las propiedades de horneado del horno.

- G. Limpie los componentes de los dedos de aire y el interior de la cámara de horneado usando una aspiradora y un paño húmedo. Refiérase a las advertencias de la Página 68 para las precauciones de limpieza.
- H. Vuelva a ensamblar los dedos de aire. Luego reinstálelos en el horno usando el "código de ubicación" como guía.
- I. Reemplace las compuertas del extremo del horno.
- J. Vuelva a ensamblar el transportador en el horno. Si retiró la rueda dentada motriz al instalar el transportador, vuelva a instalarla en este punto.
- K. Vuelva a colocar la cadena de impulsión.
- L. Verifique la tensión de la banda de transporte como se muestra en la Figura 2-15 (en la Página 60). La banda debe poder levantarse entre 3-4" (75-100mm). NO AJUSTE DEMASIADO LA BANDA DE TRANSPORTE. Si fuera necesario, ajuste la tensión de la banda girando los tornillos de ajuste del transportador, ubicados en el extremo de tensión del transportador.
- M. Reemplace el protector del motor de impulsión y las extensiones del transportador.

Figura 4-4 - Remoción de los dedos de aire y placas

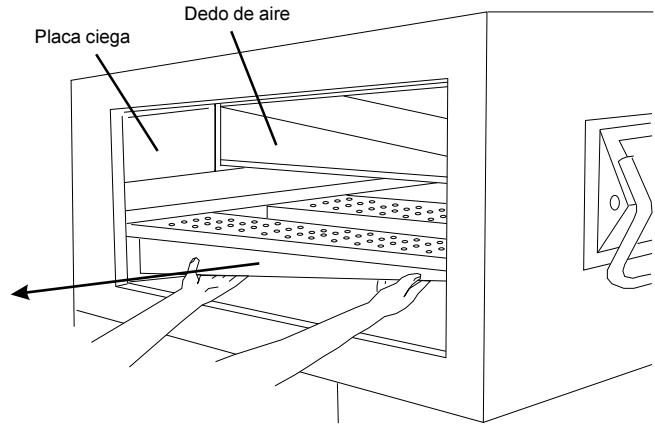
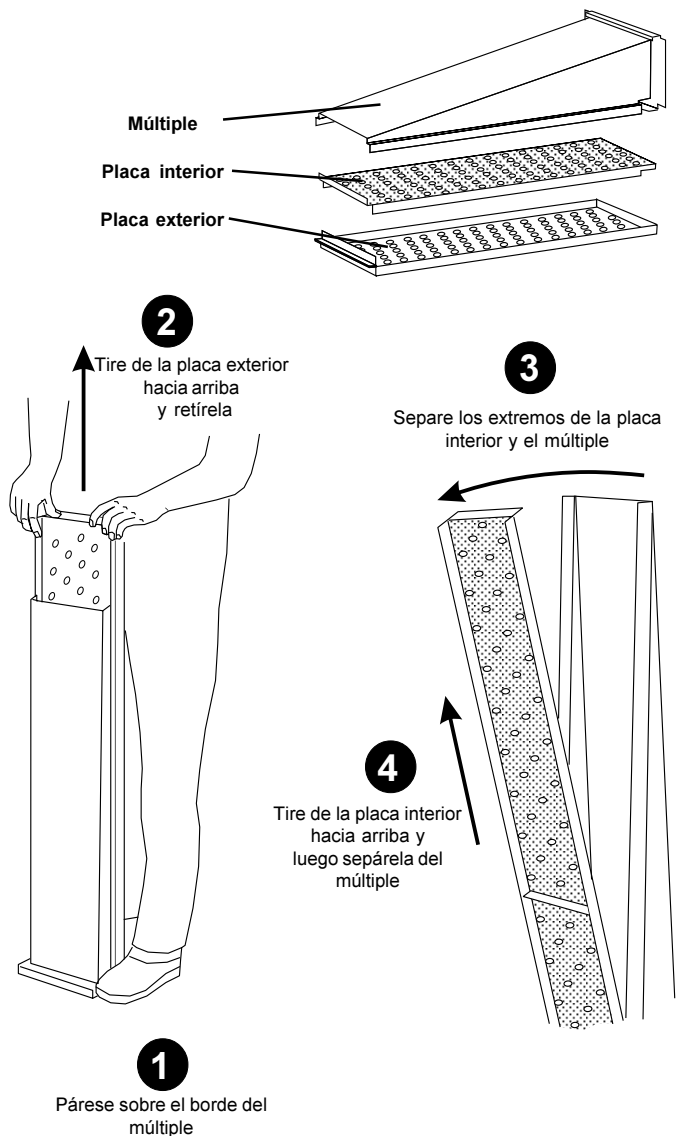


Figura 4-5 - Desensamblado de los dedos de aire



III. MANTENIMIENTO - TRIMESTRAL

- Verifique que el horno esté frío y que la energía esté desconectada, tal como se describe en la advertencia de la Página 68.
- Con una aspiradora de taller limpie ambos motores de ventilación y sus compartimientos adyacentes.
- Ajuste todos los tornillos de la terminal de control eléctrico.
- SOLAMENTE para los hornos de banda doble, desarme, limpie y lubrique los componentes del eje del transportador como se indica a continuación.
 - Retire el protector del motor, las extensiones del transportador y el transportador como se indica en la Parte II de Mantenimiento Mensual.
 - Retire los eslabones maestros de cada banda de transporte. Luego enrolle las bandas a lo largo del transportador para retirarlas del bastidor.
 - Retire los dos tornillos de ajuste del transportador del extremo de tensión del bastidor del transportador, como se muestra en la Figura 4-6.
 - Para los hornos PS360EWB y PS360WB70, retire el tornillo de cabeza hueca tal como se muestra en la figura detallada. Luego suelte el tornillo de fijación del collar de seguridad. Empuje el conjunto del eje hacia el collar de seguridad hasta que quede libre.
 - Retire el conjunto del eje loco del transportador.
 - Separe las dos secciones del eje loco. Limpie bien los ejes usando un paño. Luego lubrique el eje extendido y el interior del eje hueco usando un lubricante ligero de calidad apropiada para alimentos.

PRECAUCIÓN

NO lubrique los ejes con WD40 o ningún producto similar. Esto puede ocasionar el desgaste rápido de los ejes.

- Antes de volver a ensamblar los ejes en el bastidor del transportador, verifique que estén correctamente orientados. Recuerde que los hornos de banda doble y ancho desigual SIEMPRE deben tener la banda más delgada al frente del horno.
- Vuelva a ensamblar el eje loco en el transportador. Para todos los hornos, a excepción del PS360EWB y PS360WB70, asegúrese de que la arandela de bronce esté en su lugar entre las dos secciones del eje. Ver la Figura 4-8.
- Suelte el tornillo de fijación en las dos ruedas dentadas motrices del transportador. Luego retire las ruedas dentadas del eje.
- Suelte el tornillo de fijación del collar de seguridad, como se indica en la Figura 4-7. Para los hornos PS360EWB y PS360WB70, retire el tornillo con cabeza hueca mostrado la ilustración detallada.
- Empuje el eje impulsor hacia la derecha, luego levántelo hasta que quede libre del bastidor del transportador. Luego desarme y lubrique las dos secciones del eje impulsor como se describe en el Paso 5.
- Antes de volver a ensamblar los ejes en el bastidor del transportador, verifique que estén correctamente orientados. Recuerde que los hornos de banda doble de ancho desigual SIEMPRE deben tener la banda delgada hacia el frente del horno.
- Vuelva a ensamblar el eje impulsor en el transportador. Verifique que el espaciador de nilón esté en posición, como se muestra en la Figura 4-8. Así mismo, para todos los hornos, con excepción del PS360EWB y PS360WB70, verifique que la arandela de bronce se encuentre en posición, entre las dos secciones del eje.
- Reinstale las ruedas dentadas motrices. Vuelva a ensamblar las bandas y el eslabón maestro en el transportador y coloque el transportador en el horno.
- Vuelva a ensamblar el protector del motor y las extensiones del transportador en el horno.

IV. MANTENIMIENTO - SEMESTRAL

- Verifique que el horno esté frío y que la energía esté desconectada, tal como se describe en la advertencia de la Página 68.
- Observe si hay desgaste excesivo en las escobillas del motor de impulsión del transportador. Cambie las escobillas si están gastadas a menos de 1/4" (6.4mm) de largo.
- Limpie e inspeccione el conjunto de la boquilla del quemador y electrodo.
- Verifique (y limpie si es necesario) el sistema de ventilación del horno, incluyendo el conducto de humos.
- Verifique los bujes y los espaciadores del eje impulsor del transportador. Reemplace los componentes desgastados.

Figura 4-6 - Eje loco de banda doble

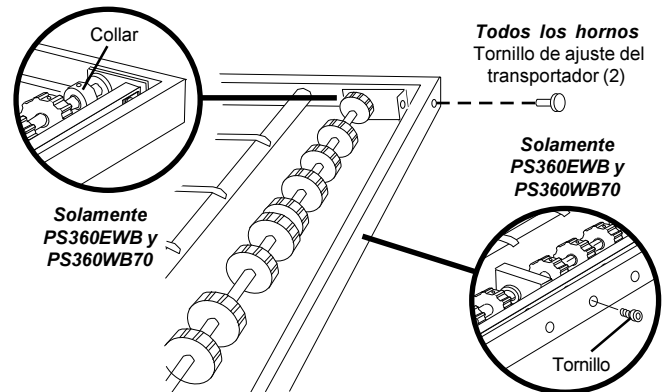


Figura 4-7 - Eje impulsor de banda doble

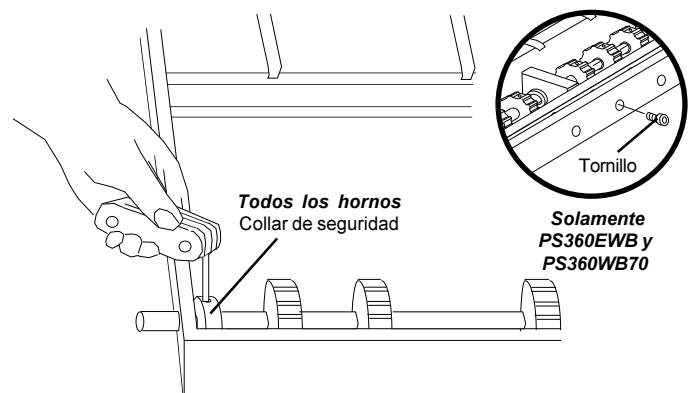
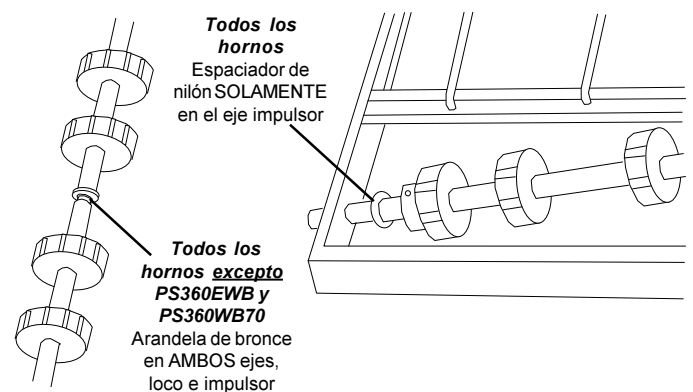


Figura 4-8 - Arandelas y espaciador



V. JUEGO DE PIEZAS DE REPUESTO PRINCIPALES - Disponible por separado. Ver la Figura 4-9.

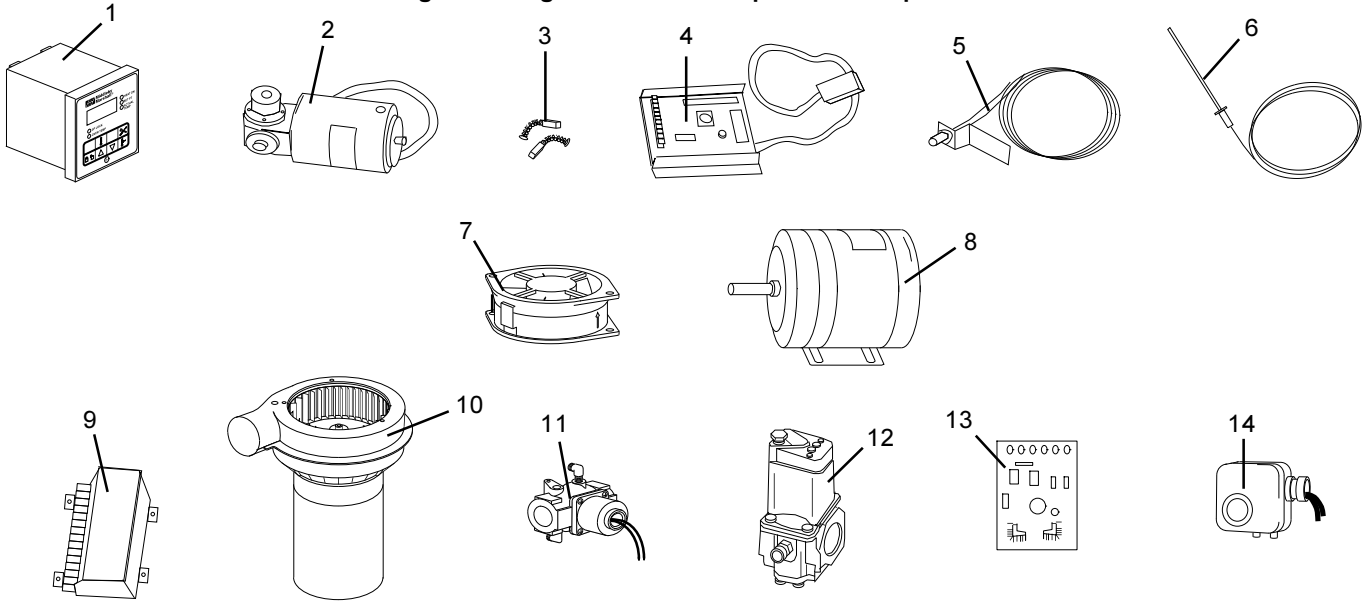
A. Componentes del Juego de piezas de repuesto principales (todos los hornos)

Item	Descripción	Número de Pieza
1	Juego, Controlador Digital de Temperatura	36939
2	Motor de impulsión del transportador	27384-0008
3	Escobillas, Motor de impulsión del transportador	22450-0052
4	Juego, Controlador de velocidad del transportador	42810-0133
5	Conjunto del sensor de control del transportador	27170-0263
6	Temopar	33984
7a	Ventilador de enfriamiento (PS310, 314, 360, 360Q, 360S, 360WB)	27392-0002
7b	Ventilador de enfriamiento (PS360EWB, WB70)	36451
8a	Motor Vent., 1 Ph, 1/3 HP (PS310, 314, 360, 360S)	27381-0023
8b	Motor Ventilador, 3 Ph, 1/3 HP (PS310, 314, 360)	27381-0024
8c	Motor Ventilador, 1 Ph, 1/4 HP (PS360Q)	27381-0054
8d	Motor Ventilador, 1 Ph, 1/2 HP (PS360WB)	27381-0075
8e	Motor Ventilador, 1 Ph, 1 HP (PS360EWB, WB70)	31432

B. Componentes del Juego de Piezas de Repuesto Adicionales para hornos a gas

Item	Descripción	Número de Pieza
9	Juego, Módulo de encendido	42810-0114
10a	Conjunto de Ventilador del quemador/Motor (PS310, 314, 360, 360Q, 360S, 360WB)	27170-0011
10b	Conjunto de Ventilador del quemador/Motor (PS360EWB, WB70)	38811
11	Solenoide (Todos los hornos EXCEPTO PS360EWB)	28091-0017
12	Válvula de modulación (PS360EWB)	32570
13	Amplificador, Válvula de modulación (PS360EWB)	31651
14	Interruptor de aire (PS360EWB, WB70)	32102

Fig. 4-9 - Juego de Piezas de Repuesto Principales



IMPORTANTE

Dentro del compartimiento de mecanismos o de control se encuentra un diagrama de cableado eléctrico del horno.

Middleby Cooking Systems Group • 1400 Toastmaster Drive • Elgin, IL 60120 • USA • (847)741-3300 • FAX (847)741-4406
Línea de Servicio Abierta las 24 Horas: 1-(800)-238-8444

www.middleby.com



Free Manuals Download Website

<http://myh66.com>

<http://usermanuals.us>

<http://www.somanuals.com>

<http://www.4manuals.cc>

<http://www.manual-lib.com>

<http://www.404manual.com>

<http://www.luxmanual.com>

<http://aubethermostatmanual.com>

Golf course search by state

<http://golfingnear.com>

Email search by domain

<http://emailbydomain.com>

Auto manuals search

<http://auto.somanuals.com>

TV manuals search

<http://tv.somanuals.com>