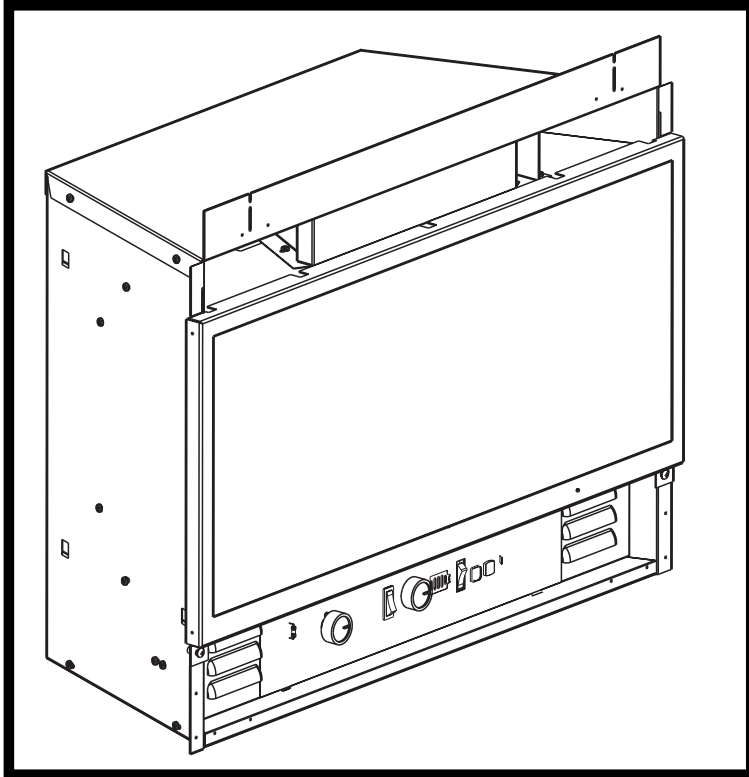


MAJESTIC VERMONT *Castings*

**Electric
Fireplace**

**Model
HE32EF**



Installation Instructions & Homeowner's Manual

**WARNING! IF THE INFORMATION IN THIS MANUAL IS NOT FOLLOWED EXACTLY,
AN ELECTRICAL SHOCK OR FIRE MAY RESULT CAUSING PROPERTY DAMAGE,
PERSONAL INJURY OR LOSS OF LIFE.**



FOR YOUR SAFETY

**DO NOT STORE OR USE GASOLINE OR OTHER
FLAMMABLE VAPOURS OR LIQUIDS IN THE VICINITY
OF THIS OR ANY OTHER APPLIANCE.**



**The Vermont Castings
Majestic Products Company**

410 Admiral Blvd. • Mississauga, Ontario • Canada L5T 2N6
www.vermontcastings.com • www.majesticproducts.com



INSTALLER: DO NOT DISCARD THIS MANUAL - LEAVE FOR HOMEOWNER

10003395
07/01 Rev.0

TABLE OF CONTENTS

Please read the Installation & Operating Instructions before using this appliance.

Thank you and congratulations on your purchase of a Vermont Castings Majestic Products Company fireplace.

IMPORTANT: Read all instructions and warnings carefully before starting installation. Failure to follow these instructions may result in a possible electric shock, fire hazard and/or injury and will void the warranty.

Installation Instructions	3
General Information	3
Locating your Fireplace	3
Electrical Specifications	3
Fireplace Dimensions	4
Mantels	5
Framing & Finishing	5
Clearance to Combustibles	5
Final Finishing	5
Hearth	5
Electrical Connection	6
Installation of Logs	6
Ceramic Refractory	6
Service Instructions	7
Louvre Removal	7
Glass Frame Removal	7
Glass Information	7
Replacing Light Bulbs	7
Maintenance of Motors	8
Cleaning Brass Trim	8
Electrical Diagram	8
Operating Instructions	9
On/Off Switch	9
Heater Control	9
Log Illumination Control	9
Flame Speed Control	9
Control Panel	9
Replacement Parts Pictorial	10
Replacement Parts List	11
Fan Heater Installation	12
Trim Options	13
1) Flat Surround	13
2) Beveled Surround	15
3) Louvre Kits	16
4) Bay Window Trim	18
5) Cast Trim	21
5) Accessories Options	21

INSTALLATION INSTRUCTIONS

GENERAL

1. Read all instructions before using this appliance.
2. This appliance is hot when in use. To avoid burns, do not let bare skin touch hot surfaces. If provided, use handles when moving this appliance. Keep combustible materials, such as furniture, pillows, bedding, papers, clothes and curtains at least 3 feet (1m) from the front of this appliance.
3. **CAUTION: Extreme caution is necessary when any heater is used by or near children or invalids and whenever the heater is left operating and unattended.**
4. If possible, always unplug this appliance when not in use.
5. Do not operate any heater with a damaged cord or plug or after the appliance malfunctions, or if it has been dropped or damaged in any manner.
6. Any repairs to this fireplace should be carried out by a qualified service person.
7. Under no circumstances should this fireplace be modified. Parts having to be removed for servicing must be replaced prior to operating this fireplace again.
8. Do not use outdoors.
9. This heater is not intended for use in bathrooms, laundry areas and similar indoor locations. Never locate this appliance where it may fall into a bathtub or other water container.
10. Do not run cord under carpeting. Do not cover cord with throw rugs, runners or the like. Arrange cord away from traffic areas and where it will not be tripped over.
11. To disconnect this appliance, turn controls to the off position, then remove plug from outlet.
12. Connect to properly grounded outlets only.
13. This appliance, when installed must be electrically grounded in accordance with local codes or, in the absence of local codes, with the current CSA C22.1 Canadian Electrical Code or for U.S.A. installations follow local codes and the National Electrical Code, ANSI/NFPA NO. 70.
14. Do not insert or allow foreign objects to enter any ventilation or exhaust opening as this may cause an electric shock or fire, or damage the appliance.

15. To prevent a possible fire, do not block air intakes or exhaust in any manner. Do not use on soft surfaces, like a bed, where openings may become blocked.
16. This appliance has hot and arcing or sparking parts inside. Do not use it in areas where gasoline, paint or flammable liquids are used or stored. This fireplace should not be used as a drying rack for clothing, nor should Christmas stockings or decorations be hung in the area of it.
17. Use this appliance only as described in this manual. Any other use not recommended by the manufacturer may cause fire, electric shock or injury to persons.
18. Avoid the use of an extension cord because the extension cord may overheat and cause a risk of fire. However, if you have to use an extension cord, the cord shall be No. 16 AWG minimum size and rated not less than 2025 Watts. The extension cord must be a three wire cord with grounding type plug and cord connection.
19. **SAVE THESE INSTRUCTIONS.**

LOCATING YOUR VERMONT CASTINGS MAJESTIC PRODUCTS COMPANY ELECTRIC FIREPLACE

Your new fireplace may be installed into an existing masonry fireplace. This unit may also be built into new or existing construction.

When choosing a location for your new fireplace, ensure that the general instructions are followed. Also, for best effect install the fireplace out of direct sunlight.

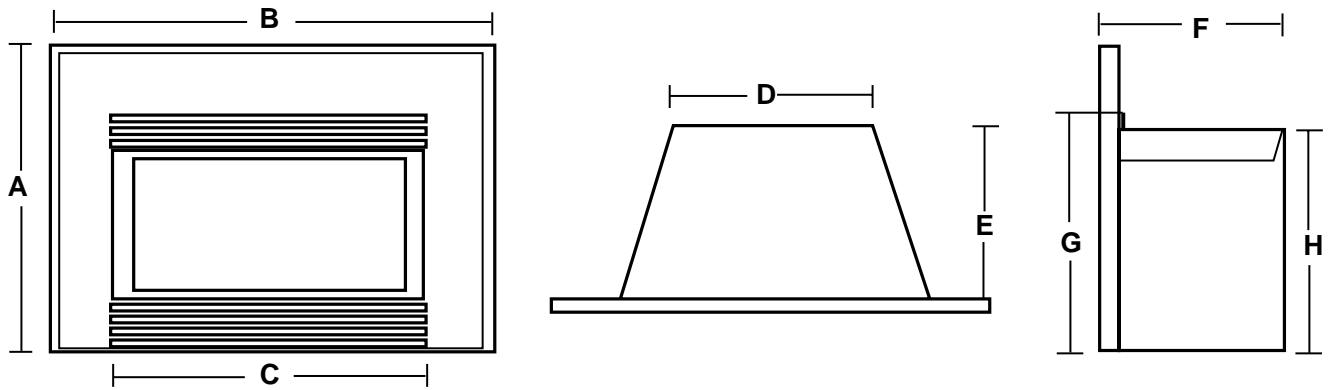


A zero clearance kit is NOT required for this unit.

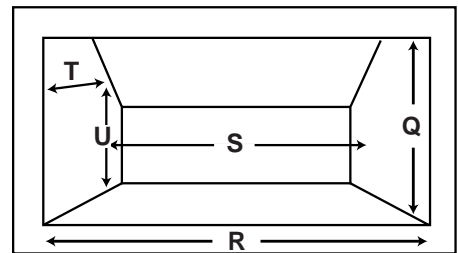
ELECTRICAL SPECIFICATIONS

Voltage _____ 120VAC, 60Hz
Total Amps _____ 12.5 Amps
Total Watts _____ 1500 Watts
Heater Rating _____ 1300 Watts

FIREPLACE DIMENSIONS



MINIMUM FIREPLACE OPENING



- R - Fireplace opening width
- Q - Fireplace opening height
- S - Firebox width at depth(T)
- T - Firebox depth at back height (U)
- U - Height at depth

HE32EF			
T R I M	A1	26 ^{5/8"}	676 mm
	B1	38 ^{3/8"}	975 mm
	A2	29"	737 mm
	B2	41 ^{15/16"}	1065 mm
	A3	33"	838 mm
	B3	44"	1118 mm
	A4	28"	712 mm
	B4	40 ^{7/8"}	1041 mm
	A5	30 ^{1/2"}	775 mm
B5	46"	1171 mm	
F I R E P L A C E	C	28 ^{3/4"}	730 mm
	D	18 ^{3/4"}	476 mm
	E	11 ^{1/2"}	292 mm
	F	13"	330 mm
	G	22"	558 mm
	H	20"	508 mm
M O P E N I N G	Q	21"	533 mm
	R	28"	711 mm
	S	19"	433 mm
	T	11 ^{3/4"}	289 mm
	U	20 ^{1/4"}	514 mm

- 1= SS or SSD Trim
- 2= SL or SLD Trim
- 3= SXL Trim
- 4= BSL Trim
- 5= BXL Trim

Fig. 1

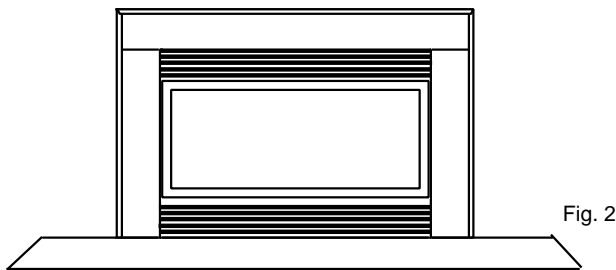
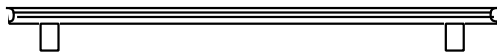
MANTELS

When the fireplace is being installed into a woodburning fireplace the minimum the mantel can be above the fireplace is governed by local building codes applicable to woodburning fireplaces. Consult local authorities having jurisdiction for these clearances.



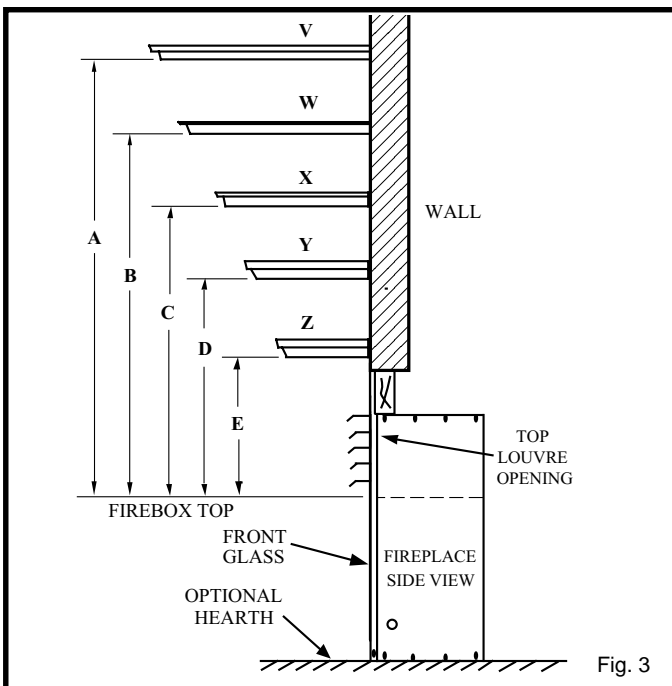
The underside of the mantel will get quite warm. Use only finishes which are heat resistant and do not discolour.

The fitting of the bay window kit does not affect the dimensions or reference points in the mantel chart.



MANTEL CHART

Ref.	Mantel & Leg Shelf Depth	Ref.	Mantel From Top of Comb. Chamber	Mantel Leg from From Side of Comb. Chamber
V	10" (254 mm)	A	19" (305 mm)	10" (254mm)
W	8" (203 mm)	B	17" (254 mm)	8" (203mm)
X	6" (152 mm)	C	15" (203 mm)	6" (152mm)
Y	4" (101 mm)	D	13" (152 mm)	4" (101mm)
Z	2" (51 mm)	E	11" (101 mm)	2" (51mm)



FRAMING & FINISHING

Before deciding on the frame dimensions and finishing materials it is important to consider the finished dimensions of the chosen fireplace trim kit (see options section of this manual).

This information is required at this stage to ensure a satisfactory finish when the trim kit is installed.



The use of wall paper adjacent to this fireplace is not recommended, as the high heat given off by this fireplace may adversely effect the binders in the adhesive used to apply the wallpaper.

CLEARANCE TO COMBUSTIBLES

Sides 0 mm/0 inches
 Sides 0mm/0 inches
 Floor 0 mm/0 inches
 Top 0 mm/0 inches

FINAL FINISHING

Non-combustible materials such as brick and tile can be extended over the face of the unit (**Do not cover louvres or glass door**). If a Trim Kit is going to be installed, brick and tile will have to be installed flush with the side of this appliance.

HEARTH

A hearth is not mandatory but it is recommended for aesthetic purposes. We recommend a non-combustible hearth which does not obstruct louvre opening.



Cold climate installation recommendation: When installing this unit against a non-insulated exterior wall or chase, it is mandatory that the outer walls be insulated to conform to applicable insulation codes.

ELECTRICAL CONNECTION

A 15 AMP, 120 Volt, 60 Hz circuit with a properly grounded outlet is required. Preferably, the fireplace will be on a dedicated circuit as other appliances on the same circuit may cause the circuit breaker to trip or the fuse to blow when the heater is in operation. The unit comes standard with a 6 ft. (1828mm) long three wire cord, exiting the right side of the fireplace. Plan the installation to avoid the use of an extension cord. If an extension cord must be used, it must be a minimum 16AWG, three wire with grounding type plug and connector and rated not less than 2025 Watts.

A new electrical outlet can be installed inside the frame construction, if permitted by local codes.



Electrical outlet wiring must comply with local building codes and other applicable regulations to reduce the risk of fire, electrical shock and injury to persons.



Do not use this fireplace if any part of it has been under water. Immediately call a qualified service technician to inspect the fireplace and replace any part of the electrical system which has been under water.

Hard (Direct) Wire Connection

If desired, a qualified electrician may remove the cord connection and wire this unit directly to the household wiring.



Any electrical re-wiring of this appliance must be done by a qualified electrician.



WARNING: This fireplace comes with an optional manual circuit breaker reset beside the On/Off switch. In case the fireplace is not operating check the circuit breaker and reset the button at the breaker. If the fireplace is still not operating immediately call a qualified service technician to inspect the fireplace.

INSTALLATION OF LOGS

1. Turn off power to the unit.
2. Remove front glass (See "Glass Removal" section).
3. The log bottom is shipped in place. No adjustment is necessary.



* HE32EF / DEF33 is a unitized log set.

CERAMIC REFRACTORY INSTALLATION

1. Remove the glass assembly.
2. Slide refractory panels on either side of the firebox between firebox side and the upper lintel baffle.
3. Push panels against firebox side. If desired, secure the panels to the sides of the firebox with some adhesive, such as silicone.
4. Replace glass frame and upper louvre panel.

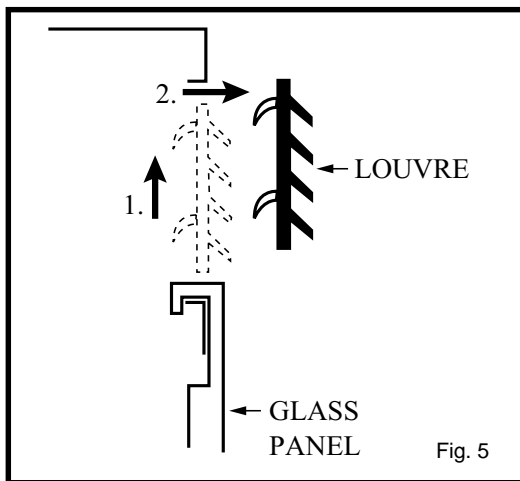
SERVICE INSTRUCTIONS



Disconnect power before attempting any maintenance or cleaning to reduce the risk of fire, electrical shock or personal injury.

LOUVRE REMOVAL

To remove top louvre pull louvre up and then lift out. See Figure 5.

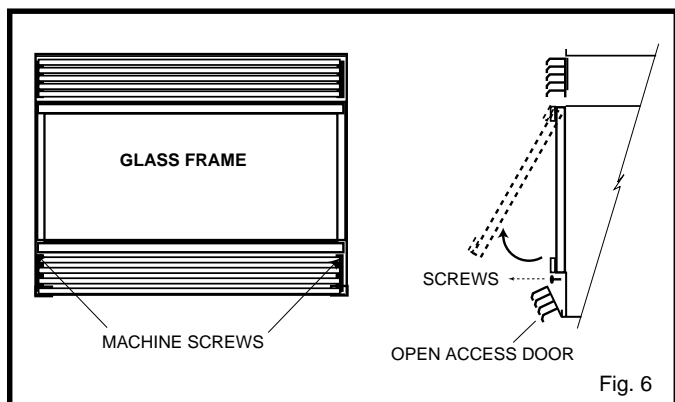


GLASS FRAME REMOVAL

1. Remove the top louvre. (See "Louvre Removal" section)
2. Open the access door.
3. Remove two machine screws from the bottom of glass frame.
4. Lift up and unhook glass frame at the top.



Before remounting glass frame, brass trim must be installed. See instructions in "Frame Mounting" section.



GLASS INFORMATION

1. Under no circumstances should this product be operated with missing or broken glass.
2. Do not strike or slam the glass.
3. Do not use abrasive cleaners to clean the glass.
4. This product uses tempered glass. Replacement of the glass with gasket as supplied by the manufacturer should be done by a qualified service person.

REPLACING LIGHT BULBS

This fireplace uses three (3) clear 120 Volt, 60 Watt, E-12 and one (1) clear 120 Volt, 5 Watt, E-12 socket base light bulbs. (Small base, chandelier candle type). Three (3) of the lights are located under the ember bed of the unit. The fourth (4) light is found at the top of the firebox above the log set. For convenience, if one of the bulbs burns out, it may be a good idea to replace all of the light bulbs.



Do not exceed 60 Watts per bulb. Use of higher rated bulbs may result in a fire, causing property damage, personal injury or loss of life.

1. Turn off power to the unit.
2. Let fireplace cool if it has been operating.
3. Remove top louvre. (See Louvre Removal).
4. Remove glass door. (See Glass Frame Removal).
5. Remove the two screws securing the ember bed in position. One screw is located on either side of the ember bed near the front.
6. Examine the bulbs to determine which bulbs need to be replaced.
7. While holding the socket, unscrew the defective bulb(s).
8. Install the new light bulb(s) by screwing in while holding the socket.
9. Reinstall ember bed, log set, glass door and top louvre.

MAINTENANCE OF MOTORS

The motors used on the fan and the drum assembly are prelubricated for extended bearing life and require no further lubrication. However, periodic cleaning/vacuuming of the fan/heater is recommended.



Make sure that the power is turned off before proceeding.

CLEANING BRASS TRIM

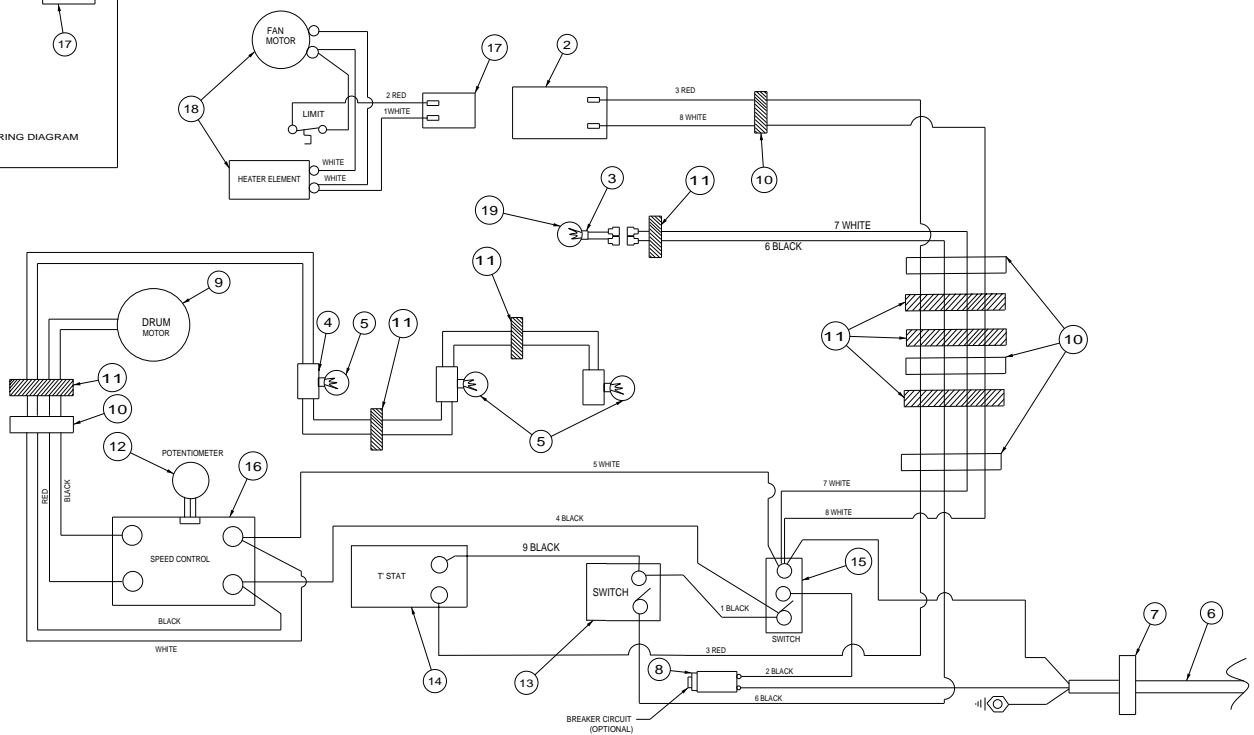
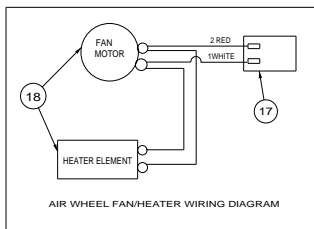
Clean the brass trim using a soft cloth, slightly dampened with lemon oil and buff with a clean soft cloth. Do NOT use brass polish or household cleaners as these products will damage the brass trim. Lemon oil can be obtained at supermarkets or hardware stores.

ELECTRICAL DIAGRAM

Any electrical repairs or rewiring of this unit should be carried out by a licensed electrician in accordance with national and local codes.



If repairing or replacing any electrical component or wiring, the original wire routing, colour coding and securing locations must be followed.



Component Identification:

1. CFM-Majestic Factory Wire Required
2. Plug 0.093" Pin & Socket
3. Light Socket Assembly
4. Light Socket w/ Wiring Assembly
5. Light Bulb
6. Cord Power
7. Strain Relief
8. Breaker Circuit Manual Reset
9. Motor Variable Speed 12 VDC
10. Grommet 7/8

Component Identification:

11. Nylon Cable Tie 3-7/8"
12. Potentiometer
13. Dimmer Switch Rotary Assy
14. Thermostat
15. Switch
16. Speed Control
17. Receptacle Pin & Socket
18. Fan/Heater

Wiring Colour Code:

- WH = White
BL = Black
RE = Red

OPERATING INSTRUCTIONS

The control compartment is located behind the lower louvre panel. To access the controls, simply flip down the lower louvre panel. To locate the position of each control described below, refer to Fig. 7.

1. MAIN ON/OFF SWITCH

The On/Off switch supplies power to all of the functions of the fireplace. This is an illuminated switch which normally will light up when in the "On/Off" position.



During any service of this appliance, the power to the unit must be turned off. It is not acceptable to use the "On/Off" switch to meet this requirement.

2. HEATER CONTROL

The Heater Control acts to turn the heater on and off as well as setting the comfort level in the room. Turning the knob clockwise from the off position will place the heater into operation. The further the knob is rotated clockwise, the higher the set point temperature. Turning the knob counterclockwise will lower the set point temperature. Turning it all the way counterclockwise will turn the heater function off.

3. LOG ILLUMINATION CONTROL

The On/Off switch controls the light located above the log set.

4. FLAME SPEED CONTROL

Turn the flame speed control knob to increase or decrease the flame speed as desired.

CONTROL PANEL

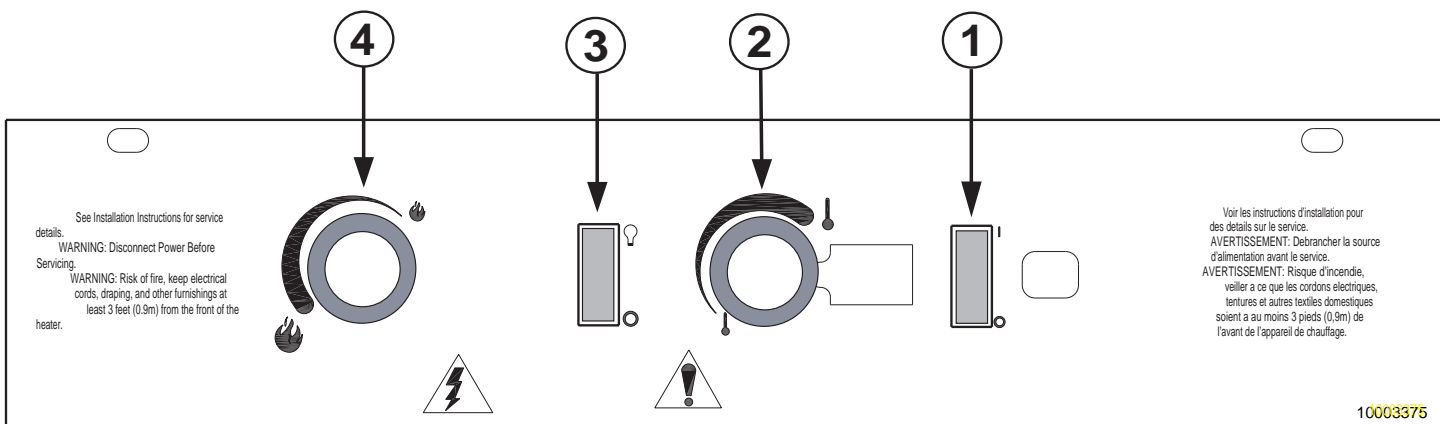
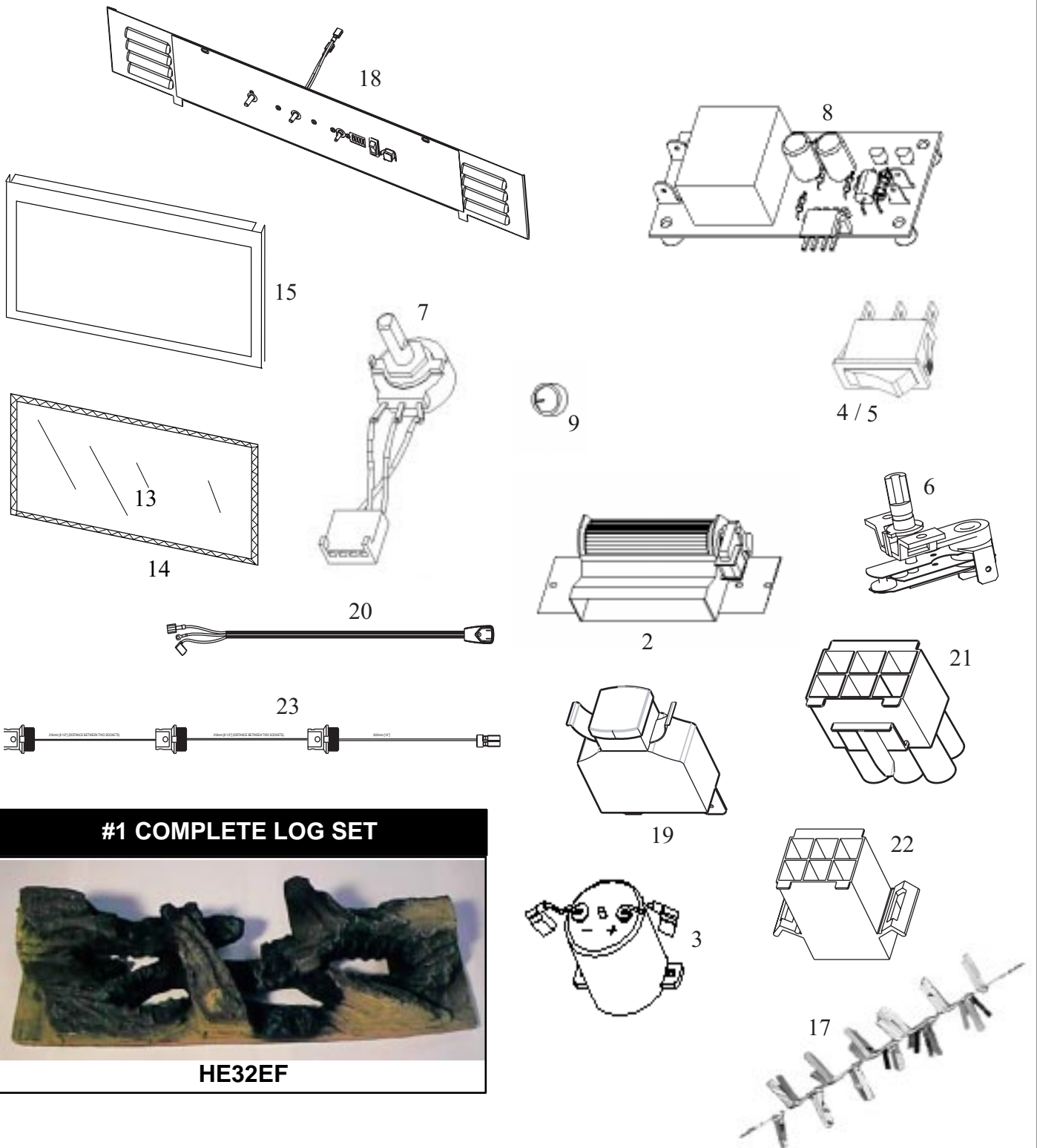


Fig. 7

REPLACEMENT PARTS - ELECTRIC FIREPLACE



REPLACEMENT PARTS LIST - ELECTRIC FIREPLACE

DESCRIPTION		HE32EF
1.	Log Set Complete	10003628
1a.	Log Top Left	N/A
1b.	Log Top Right	N/A
1c.	Log Bottom	N/A
2.	Fan/Heater Assembly w/Bracket	10001815
3.	Motor 12VDC (Flame generator)	10001978
4.	Switch Rocker	53606
5.	On/Off Switch (Illuminated)	10001393
6.	Thermostat - Heater Control	10001971
7.	Potentiometer - Flame Speed Control	10001168
8.	Circuit Board - Flame Speed Control	10001589
9.	Knob - Flame Speed, Heater Controls	10001639
10.	Light Filter - Ember Bed (Not Shown)	10001259
11.	Light Diffuser Screen (Not Shown)	10001836
12.	Screen Tinted Plastic (Not Shown)	10001837
13.	Glass with Gasket	10001518
14.	Gasket Glass	10001882
15.	Frame Window Assembly	57914
16.	Light Diffuser - Ember Bed (Not Shown)	10001536
17.	Flame Generator Assembly	10003618
18.	Facia Control Assembly	10003377
19.	Breaker Circuit Manual Reset	10003093
20.	Cord Power 16 / 3 HPN w/Terminals	10003095
21.	Receptacle .093" Pin & Socket	10003104
22.	Plug .093" Pin & Socket	10003105
23.	Socket Light Bulb Lower Assy	10003127

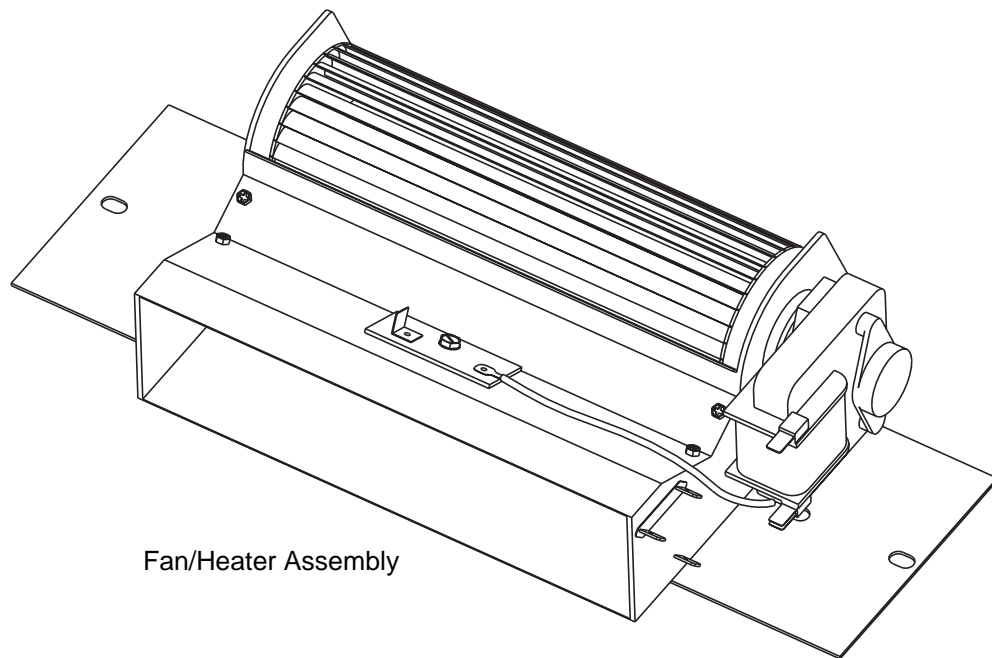
FAN HEATER INSTALLATION

INSTALLATION



WARNING: UNPLUG OR TURN THE POWER TO THE APPLIANCE OFF PRIOR TO BEGINNING THE INSTALLATION. IT IS NOT ACCEPTABLE TO USE THE "ON/OFF" SWITCH TO MEET THIS REQUIREMENT.

1. Turn the power to the appliance off, or unplug it from the power supply.
2. Let fireplace cool if it has been operating.
3. Remove access panel radiance by lifting up and pulling out or open lower louvre assembly.
4. Remove two door retention screws along lower sides edge of door frame.
5. Swing lower portion of door out from the fireplace and gently lift up to disengage top of door from fireplace (see FIG. 1).
6. Gently remove log set by removing the two screws securing the ember bed in position. One screw is located on either side of the ember bed near the front.
7. Gently remove screen tinted plastic. Lift up to the top and swing lower portion of tinted plastic out from bracket screen support on both sides and gently pull out slowly from fireplace.
8. Hold the fan/heater assembly and slide the assembly inside fireplace from bottom to top, turn assembly to line up the fan/heater with bracket support in fireplace mounting with the two screw studs on bracket support and fasten with #10-24 hex nuts provided.
9. Push connector receptacle pin and socket of the fan/heater assembly into the plug pin and socket on fire box top.
10. Re-install screen tinted plastic, ember bed, log set, and glass door following the above procedure in reverse.
11. Restore power to the appliance and place unit into operation check function of all of the controls for proper operation.



Fan/Heater Assembly

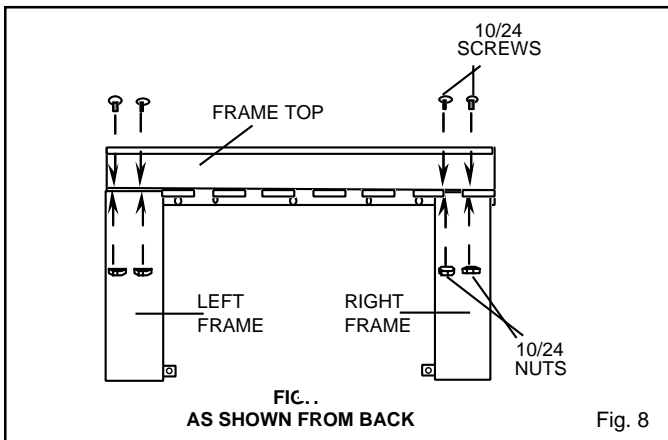
TRIM OPTIONS FOR HE32EF

1) RHESS, RHESL, RHESSD, RHESLD & RHESXL TRIMS

FRAME ASSEMBLY

RHESS, RHESL, RHESSD, RHESLD and RHESXL

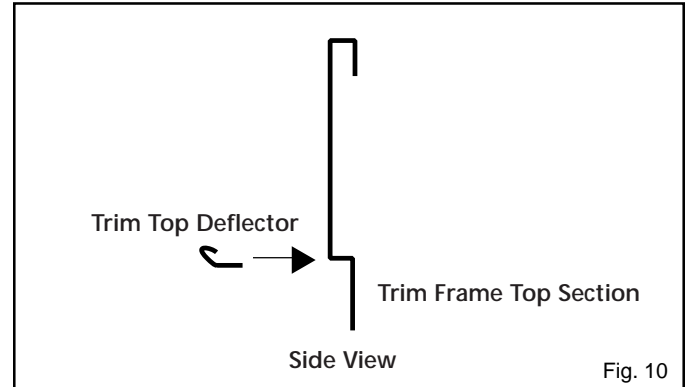
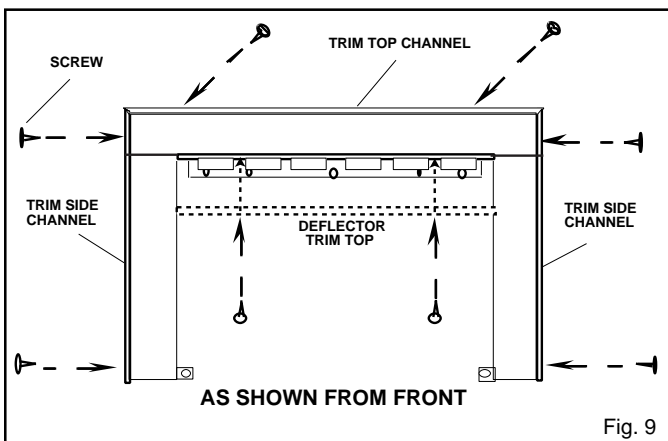
1. Lay Trim Top Facing and Trim Side Facings, face down on to an even surface such as a table or floor. Be sure not to scratch the painted surfaces.
2. Install the nuts and bolts (Fig. 8).



TRIM ASSEMBLY

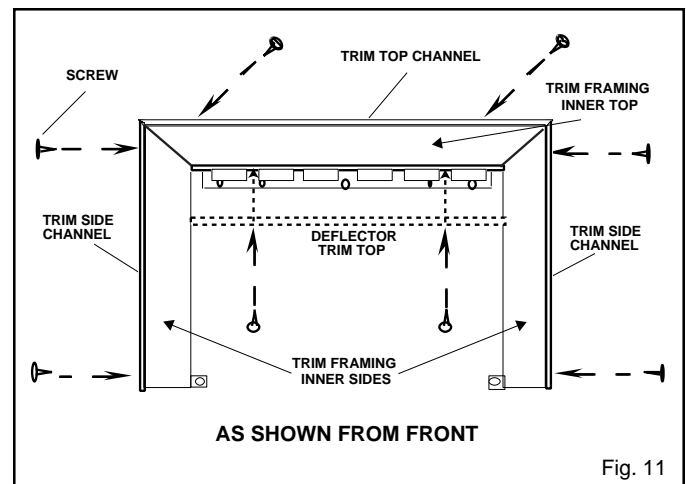
RHESS, RHESL, and RHESXL

1. Install trim channels (left and right sides). Use two screws to assemble each piece.
2. Slide on the trim top channel and fasten it from the back side.
3. Install the trim top deflector and use two screws to fasten it. (Fig. 9 & 10)
4. Remove ALL plastic protective covering from brass trim.



RHESSD and RHESLD (Fig. 11)

1. Install trim channels (left and right sides). Use two screws to assemble each piece.
2. Peel off plastic protective covering from top edges of the inner sides where the facing inner top will cover.
3. Place the trim facing inner top in place (do not fasten it yet). Peel off the plastic protective covering from the bottom edge.
4. Install the trim top deflector and fasten it (will hold the inner top piece). Use two screws to assemble them.
5. Install trim channels (left and right sides). Use two screws to assemble each piece.
6. Slide on the trim top channel and fasten it from the back side.
7. Remove ALL plastic protective covering from brass trim.



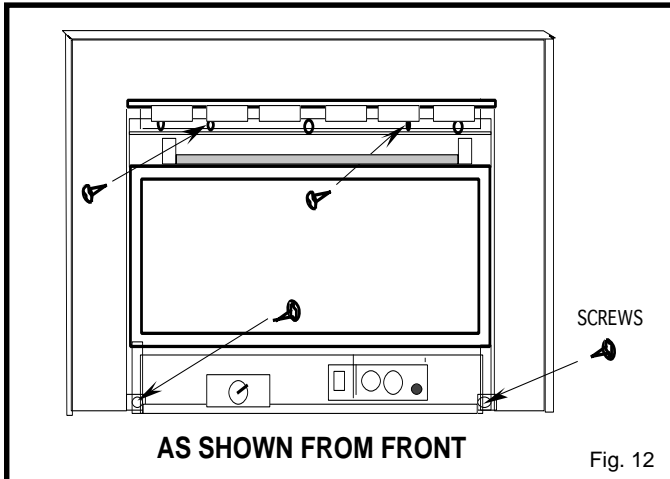
A flat louvre kit OR a bay window kit needs to be chosen to complete the installation.

FRAME MOUNTING

GENERAL INFORMATION

The Decorative Front Frame should be installed last after all other work, has been completed and thoroughly checked and tested for operation and proper installation requirements.

1. Fit Decorative Frame to the fireplace and fasten (Fig. 12)



Plastic on the trim must be removed before mounting onto the fireplace.



Glass must be tightly pressed against the front of the frame in order to prevent screws from damaging glass edges.

TRIM REPLACEMENT PARTS LIST

ALL repair parts will be available from your local dealer.

When ordering, always give the following information: Model and serial number, part description with finish and part number;

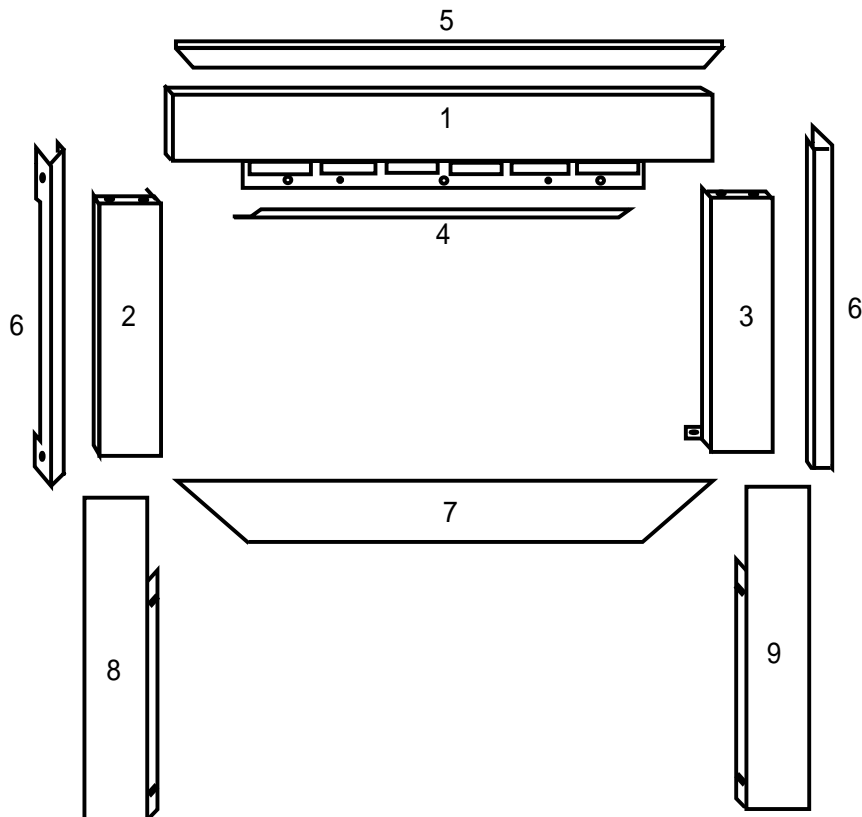
KEY	DESCRIPTION	RHESS ⁽²⁾	RHESL ⁽³⁾	RHESSD ⁽³⁾	RHESLD ⁽³⁾	RHESXL ⁽⁴⁾
1	Trim Frame Top, Flat Black	57929	57932	57929	57932	57935
2	Trim Frame Left, Flat Black	57927	57930	57927	57930	57933
3	Trim Frame Right, Flat Black	57928	57931	57928	57931	57934
4	Trim Top Deflector ⁽¹⁾	17634	17634	17634	17634	17634
5	Trim Top Channel ⁽¹⁾	50586	50587	17611	17612	52787
6	Trim Side Channel Left ⁽¹⁾	50589	50590	17623	17624	52788
7	Trim Facing Inner Top ⁽¹⁾	-	-	17609	17610	-
8	Trim Facing Inner Left ⁽¹⁾	-	-	17620	17619	-
9	Trim Facing Inner Right ⁽¹⁾	-	-	17622	17621	-
10	Fasteners Package (Not Shown)	55043	55043	55043	55043	55043

⁽¹⁾ **Specify Finish** (Antique or Polished Brass)

⁽²⁾ SS and SSD trim dimensions are for openings smaller than 26^{1/2}"H x 38" W (673mm x 965mm)

⁽³⁾ SL and SLD trim dimensions are for openings smaller than 29"H x 41" W (736mm x 1040mm)

⁽⁴⁾ SXL trim dimensions are for openings smaller than 32"H x 43" W (813mm x 1092mm)

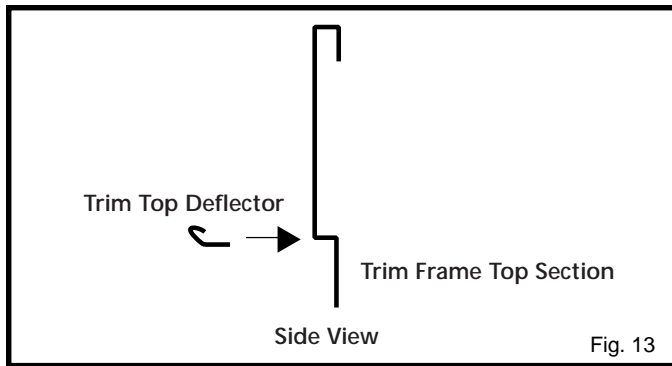


2) RHEBSL & RHEBXL TRIMS

TRIM ASSEMBLY

RHEBSL

1. Install trim channels (left and right sides). Use two screws to assemble each piece.
2. Slide on the trim top channel and fasten it from the back side.
3. Install the trim top deflector and use two screws to fasten it. (Fig. 13)
4. Remove ALL plastic protective covering from brass trim.



RHEBXL

To install the kit you do not have to remove any piece of brass, you just add the external pieces.

Remove the frame trim from the unit if it is already installed.

1. Install trim channels (left and right sides) by removing the two screws that hold the side brass trim and put them back to hold both parts.
2. Slide on the trim top channel and fasten it from the back side.
3. Remove the two screws that hold the top brass trim.
4. Install the two brackets to the studs in the bottom of the top channel. Use the nuts supplied with the kit.
5. Reinstall the two screws to hold the top trim channel.

TRIM REPLACEMENT PARTS LIST

ALL repair parts will be available from your local dealer.

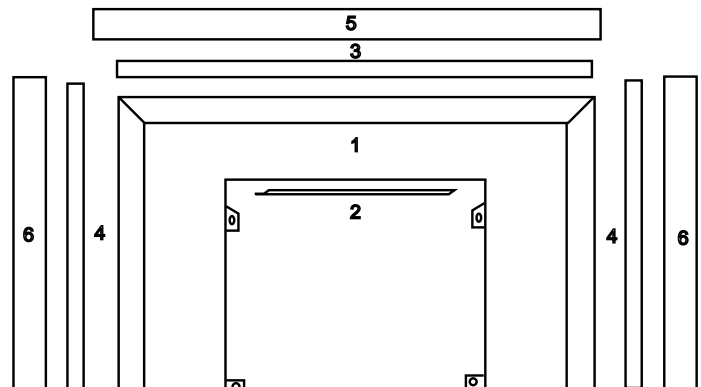
When ordering, always give the following information: Model and serial number, part description with finish and part number;

KEY	DESCRIPTION	RHEBSLP	RHEBSLA	RHESXLP ⁽¹⁾	RHESXLA ⁽¹⁾
1	Trim Frame Flat Black	57926	57926	-	-
2	Trim Top Deflector	17634-PB	17634-AB	-	-
3	Trim Top Channel	57864	57844	-	-
4	Trim Side Channel	57862	57843	-	-
5	Trim Outer Top Channel	-	-	57861	57845
6	Trim Outer Side Channel	-	-	57863	57846
7	Fasteners Package (Not Shown)	54618	54618	57633	57633

⁽¹⁾ RHEBXLP or RHEBXLA to be used with RHEBSSLP or RHEBSLA trims.

⁽²⁾ SL trim dimensions are for openings smaller than 27^{1/2}"H x 40^{1/2}" W (700mm x 1030mm)

⁽⁴⁾ XL trim dimensions are for openings smaller than 30"H x 45^{5/8}" W (765mm x 1160mm)



3) RHEFA and RHEFP TRIMS

TRIM ASSEMBLY

1. Remove the front glass (see "Glass Frame Removal" section).
2. Install support window trim channel, top and bottom brass trim by using the shortest black screw. (Fig. 14 & 15).

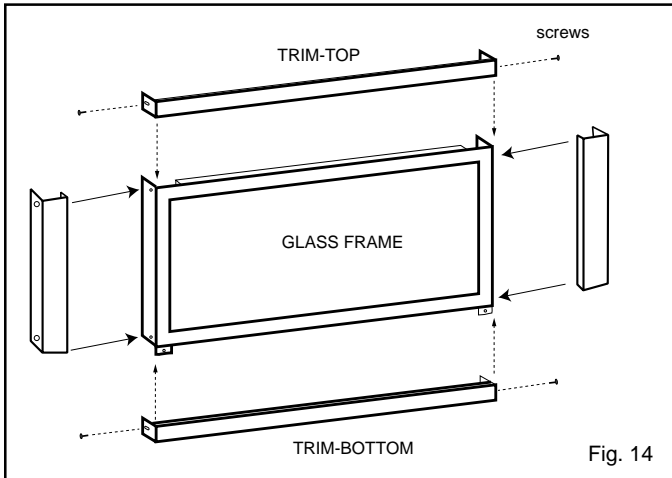


Fig. 14

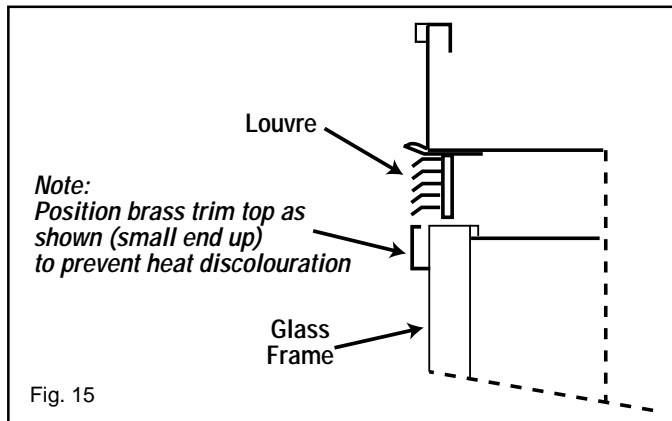


Fig. 15

3. Install bottom decorative plate by simply sliding it under the unit floor. No fastening is required for this installation (See Fig. 16). Be sure to remove protective cover.
4. Install the bottom louvre assembly by fastening the hinges with four screws to the pre-punched holes in the cabinet.
5. Re-install the front glass.
6. Install the top louvre by using the hooks to hang it in place.

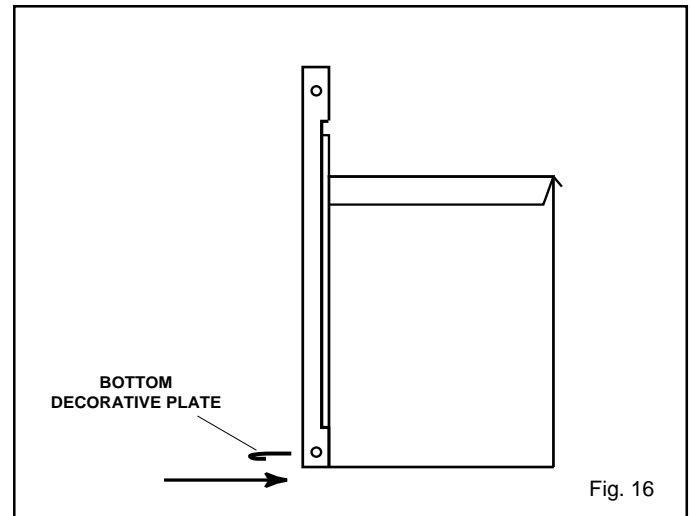


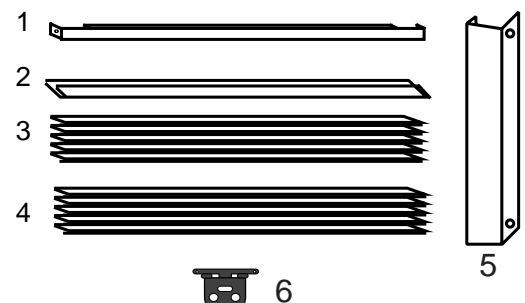
Fig. 16

TRIM REPLACEMENT PARTS LIST

ALL repair parts will be available from your local dealer.

When ordering, always give the following information: Model and serial number, part description with finish and part number;

KEY	DESCRIPTION	RHEFA	RHEFP
1	Trim Window Top/Bottom	52624-AB	52624-PB
2	Plate Decorative Bottom	17597-AB	17597-PB
3	Top Louvre Assembly	57905	57905
4	Bottom Louvre Assembly	57906	57906
5	Support Window Trim Channel	57909	57909
6	Hinge	52356	52356
7	Fasteners Package (Not Shown)	57916	57916



4) HEBTKP, HESBTKP, HECBTK, HECBTKMB & HEBTA TRIMS

HECBTK	-	Cast bay window and grills in classic black trim kit
HECBKMB	-	Cast bay window and grills in midnight black porcelain enamel trim kit
HESBTKP	-	Steel bay window with polished brass and cast grills in classic black trim kit
HEBTKP	-	Steel bay window and bay louvres with polished brass trim kit

Install the bay window after all other installation work has been completed, thoroughly checked, and tested for operation, leaks and proper installation requirements.



DO NOT REMOVE EXISTING GLASS WITH FRAME

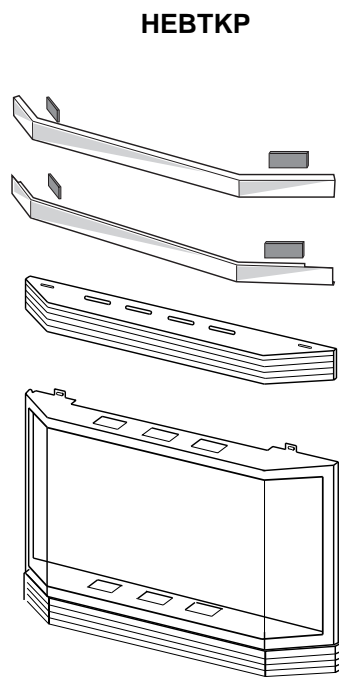


Fig. 17

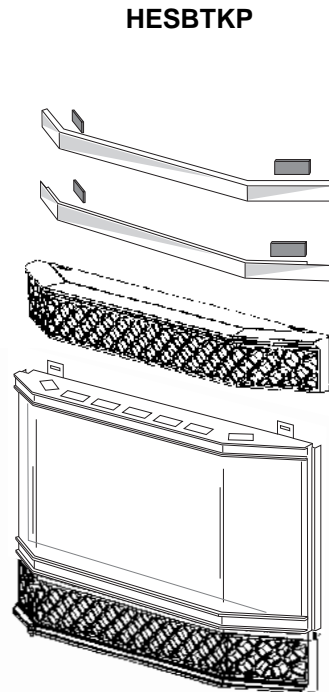


Fig. 18

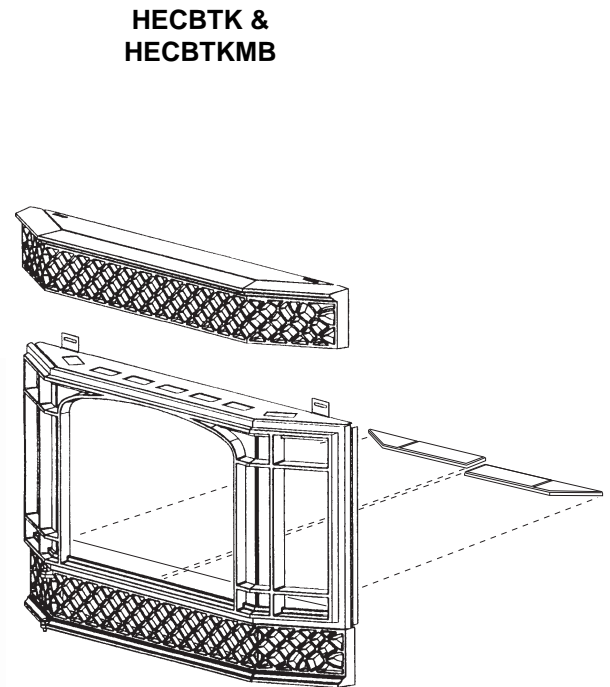


Fig. 19

HECBTKP, HECBTKMB and HESBTKP Trim Assembly

- 1) Install the hanging brackets, as per Fig. 20.
- 2) Install the two ceramic pieces inside the bay window, as per fig. 19.
- 3) Install the bay window by hanging it onto the lower tabs of the hanging brackets, as per Fig. 21.
- 4) Install the upper grill by engaging the obround holes with the upper tabs of the hanging brackets, as per Fig. 22
- 5) Install brass trim to the steel frame as per Fig. 23 (Only for HESBTKP trim)

HEBTKP Trim Assembly

- 1) Install the hanging brackets, as per Fig. 20
- 2) Install bracket on each side of the cabinet as per Fig. 24.
- 3) Install the two ceramic pieces inside the bay window, as per Fig. 19.
- 4) Install the bay window by hanging it onto the lower tabs of the hanging brackets, as per Fig. 21.
- 5) Install top louvre by engaging the obround holes with the upper tabs of the hanging brackets, as per Fig. 22.
- 6) Install brass trim to the steel frame as per Fig. 23.

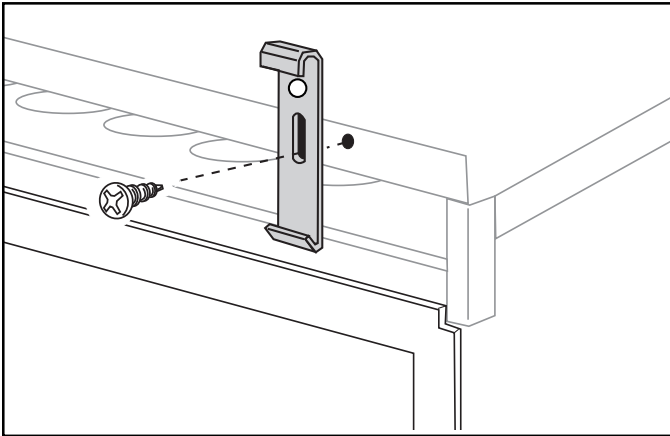


Fig. 20. Hanging Bracket alignment.

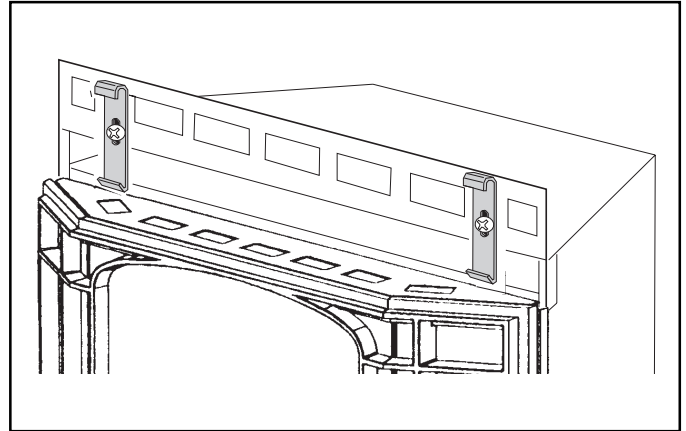


Fig. 21 Hang the Window Grille or the Steel Frame onto the lower tabs of the Hanging Brackets.

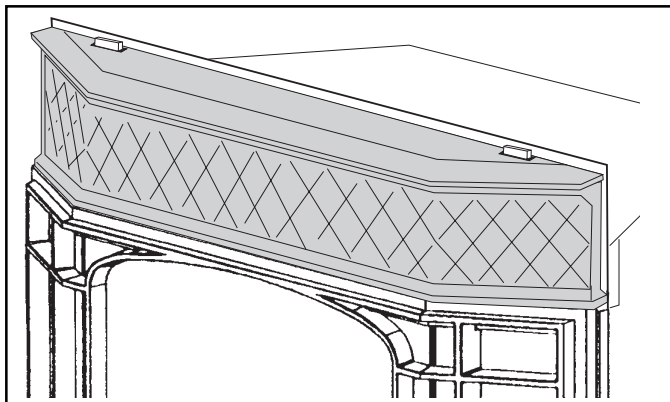


Fig. 22. Engage the slots in the Upper Grille Top Louvre with the upper tabs of the Hanging Brackets.

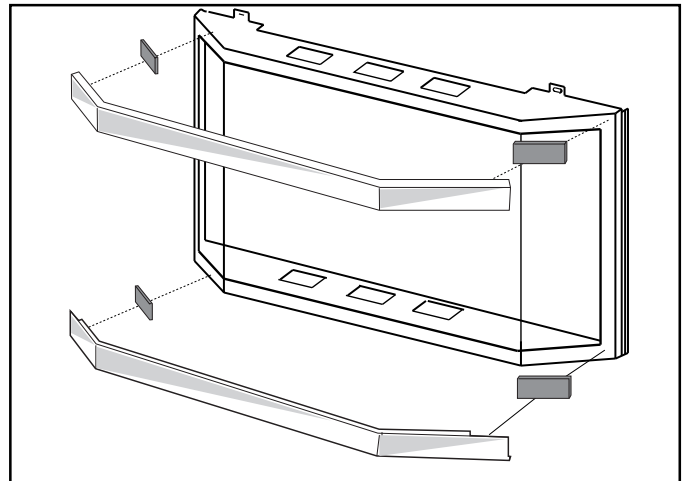


Fig. 23. Attach magnets and brass trim to the steel frame.

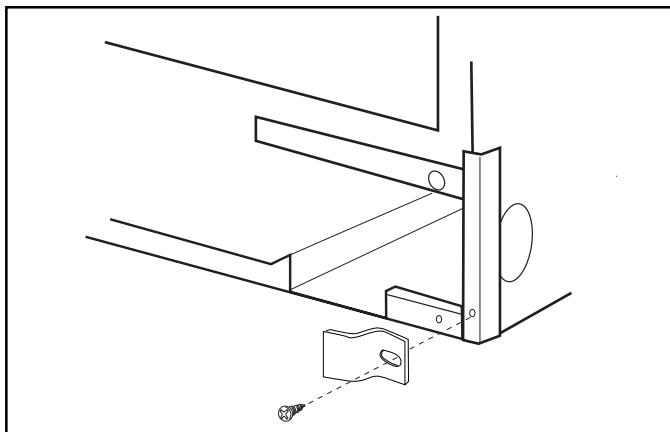
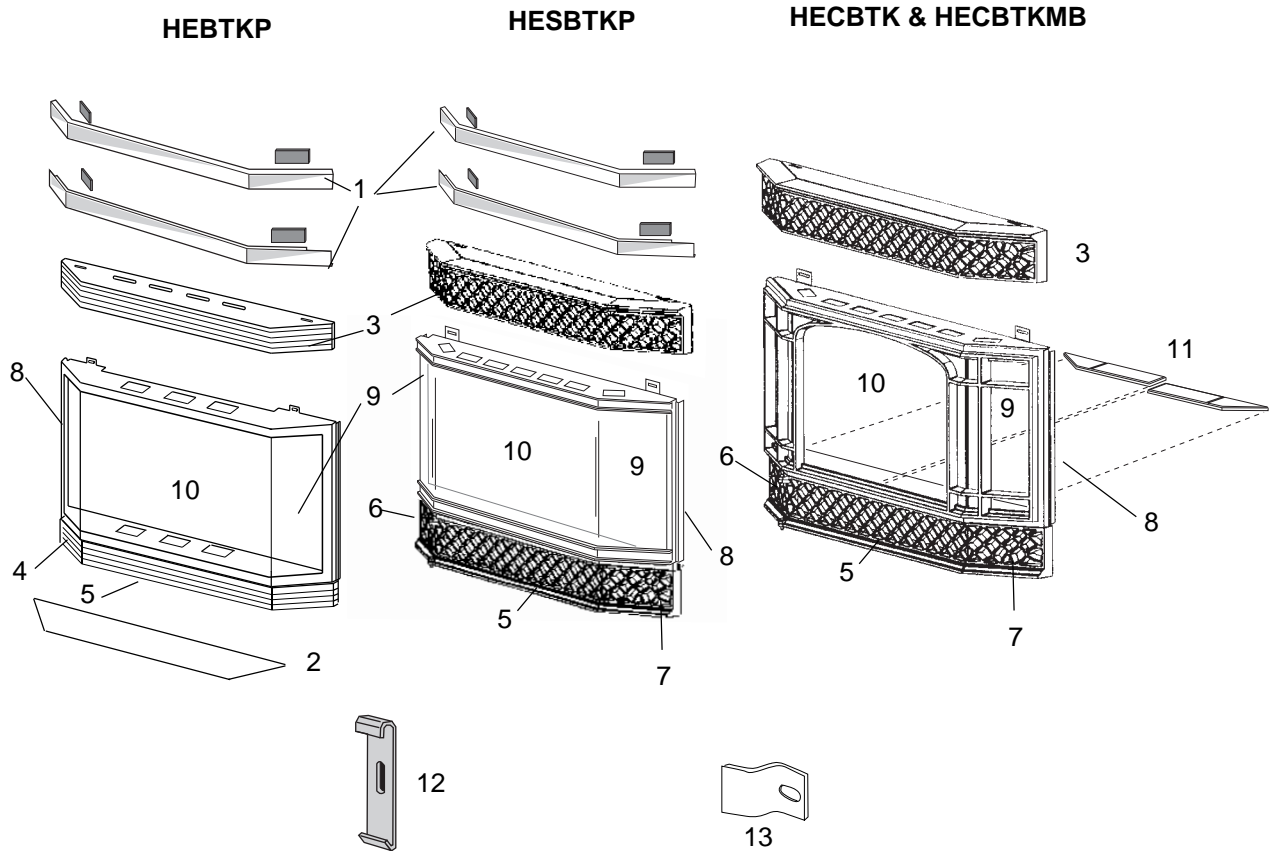


Fig. 24. Bracket for HEBTKP.

TRIM REPLACEMENT PARTS LIST

ALL repair parts will be available from your local dealer.

When ordering, always give the following information: Model and serial number, part description with finish and part number;



KEY	DESCRIPTION	HECBTK	HECBTKMB	HESBTKP	HEBTKP	HEBTA
1	Trim Window Top/Bottom ⁽¹⁾	-	-	55188-PB	55188-PB	55188-AB
2	Plate Decorative Bottom	-	-	-	52828-PB	52828-AB
3	Top Louvre (Grill) Assembly	1301199	1341199	1301199	57945	-
4	Bottom Louvre (Grill) Assembly	-	-	-	57947	-
5	Control Door	1301200	1341200	1301200	57946	-
6	Bottom Louvre Left	1301219	1341219	1301219	-	-
7	Bottom Louvre Right	1301218	1341218	1301218	-	-
8	Bay Window Frame	1301198	1341198	1409127	1409127	-
9	Glass Side	1601971	1601971	1601971	1601971	-
10	Glass Front	1601957	1601957	1601957	1601957	-
11	Ceramic Refractory Bay (Set)	1601939	1601939	1601939	1601939	-
12	Bracket Hanging Bay Window	10002026	10002026	10002026	10002026	-
13	Bracket Mounting Bay Window	-	-	-	57877	-
14	Hardware Pkg. (Not Shown)	10000108	10000108	10000108	10000530	-

⁽¹⁾ With magnets.

5) CAST TRIM OPTIONS

CAST SURROUND AND FLAT FACE

HECBL	Cast Surround Black
HECBLUE	Cast Surround Blue
HECCG	Cast Surround Charcoal Grey
HECGR	Cast Surround Green
CSSP	Polished Brass Small Trim for Cast Surround
CSLP	Polished Brass Large Trim for Cast Surround (to be used with CSSP)

ACCESSORIES OPTIONS

DESCRIPTION

- Remote Control
- Optional Heater
- Cabinet / Mantel
- Ceramic Refractory Kit
- Bay Window

Free Manuals Download Website

<http://myh66.com>

<http://usermanuals.us>

<http://www.somanuals.com>

<http://www.4manuals.cc>

<http://www.manual-lib.com>

<http://www.404manual.com>

<http://www.luxmanual.com>

<http://aubethermostatmanual.com>

Golf course search by state

<http://golfingnear.com>

Email search by domain

<http://emailbydomain.com>

Auto manuals search

<http://auto.somanuals.com>

TV manuals search

<http://tv.somanuals.com>