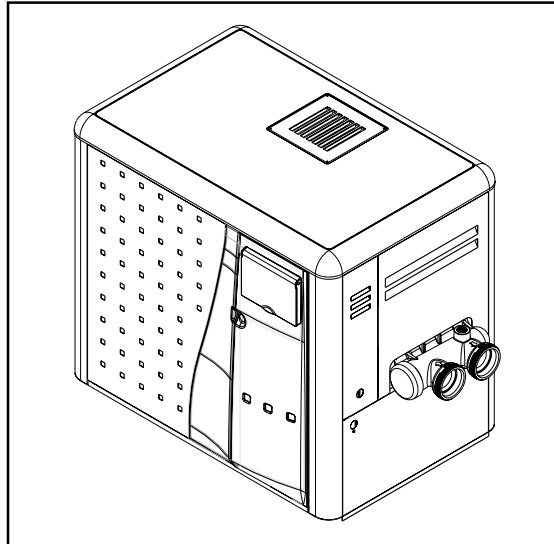


MiniMax NT[®] Series Pool & Spa Heaters

OPERATION & INSTALLATION MANUAL



U.S. Patent Numbers
6,295,980
5,318,007 - 5,228,618
5,201,307 - 4,595,825



To
Consumer
Retain For
Future
Reference

WARNING

FOR YOUR SAFETY - READ BEFORE OPERATING

- If you do not follow these instructions exactly, a fire or explosion may result, causing property damage, personal injury or loss of life.
- Improper installation, adjustment, alteration, service or maintenance can cause property damage, personal injury or death. Installation and service must be performed by a qualified installer, service agency or the gas supplier.
- Do not store or use gasoline or other flammable vapors and liquids in the vicinity of this heater or other appliances.

WHAT TO DO IF YOU SMELL GAS

- Do not try to light any appliance.
- Do not touch any electrical switch; do not use any phone in your building.
- Immediately call your gas supplier from a neighbor's phone. Follow the gas supplier's instructions.
- If you cannot reach your gas supplier, call the fire department.

For additional free copies of this manual; call (800) 831-7133.

Pentair Water Pool and Spa, Inc.

1620 Hawkins Ave., Sanford, NC 27330 • (919) 566-8000
10951 W. Los Angeles Ave., Moorpark, CA 93021 • (805) 523-2400

Customer Service

If you have questions about ordering Pentair Pool Products replacement parts, and pool products, please use the following contact information.

Customer Service (8 A.M. to 5 P.M. Pacific Time)

Phone: (800) 831-7133 (press 3 in voice mail)

Fax: (800) 284-4151

Technical Support for Pentair Pool Products

Sanford, North Carolina (8 A.M. to 5 P.M. Eastern Time)

Phone: (919) 566-8000

Fax: (919) 566-8920

Moorpark, California (8 A.M. to 5 P.M. Pacific Time)

Phone: (805) 523-2400 (Ext. 6502)

Fax: (805) 530-0194

Web site

visit www.pentairpool.com to find information about Pentair Water Pool and Spa, Inc.

© 2004 Pentair Water Pool and Spa, Inc.

1620 Hawkins Ave., Sanford, NC 27330 • (919) 556-8000
10951 West Los Angeles Ave., Moorpark, CA 93021 • (805) 523-2400

All rights reserved. Information in this document is subject to change without notice.

Trademarks and Disclaimers. MiniMax NT and the *Pentair Pool Products logo* are registered trademarks of Pentair Water Pool and Spa, Inc. Other trademarks and trade names may be used in this document to refer to either the entities claiming the marks and names or their products. Pentair Water Pool and Spa, Inc. disclaims any proprietary interest in trademarks and trade names other than its own.

Table of Contents

Section I. Heater Identification Information	4
Section II. Introduction	5
Important Notices	5
Warranty Information	5
Code Requirements	6
Consumer Information and Safety	6
Section III. Installation	7
Specifications	7
Plumbing Connections	8
Valves	8
Manual By-Pass	8
Below Pool Installation	8
Water Connections	9 - 10
Gas Connections	11
Sediment Traps	11
Gas Pipe Sizing	12
Testing Gas Pressure/Gas Pressure Requirements	13
Indoor Venting—General Requirements	14
Indoor (USA) / Outdoor (Canada) Installations	15
Combustion Air Supply	16
Vent Adaptors	16
Indoor Installations—Venting Guidelines	17
Outdoor Installations—Venting Guidelines	18
Outdoor Vent Kit	18
Electrical Connections	19
Wiring Diagram—NT STD & TSI with DDTC	20
Section IV. Operation	21
Basic System Operation	21
HSI (Hot-Surface Ignition) Lighting/Operation	21
Safety Controls	22 - 23
Digital Display Temperature Controller (DDTC)	24 - 28
Section V. Troubleshooting	28
Troubleshooting (DDTC)	28
Troubleshooting (General)	29
Service Checks - Ignition Module	29
Section VI. Maintenance	30
Maintenance Instructions	30
Pressure Relief Valve	30
Energy Saving Tips	30
Spring, Fall and Winter Operation	31
Chemical Balance	32
Replacement Parts — NT STD& TSI w/DDTC	33 - 37

Heater Identification Information

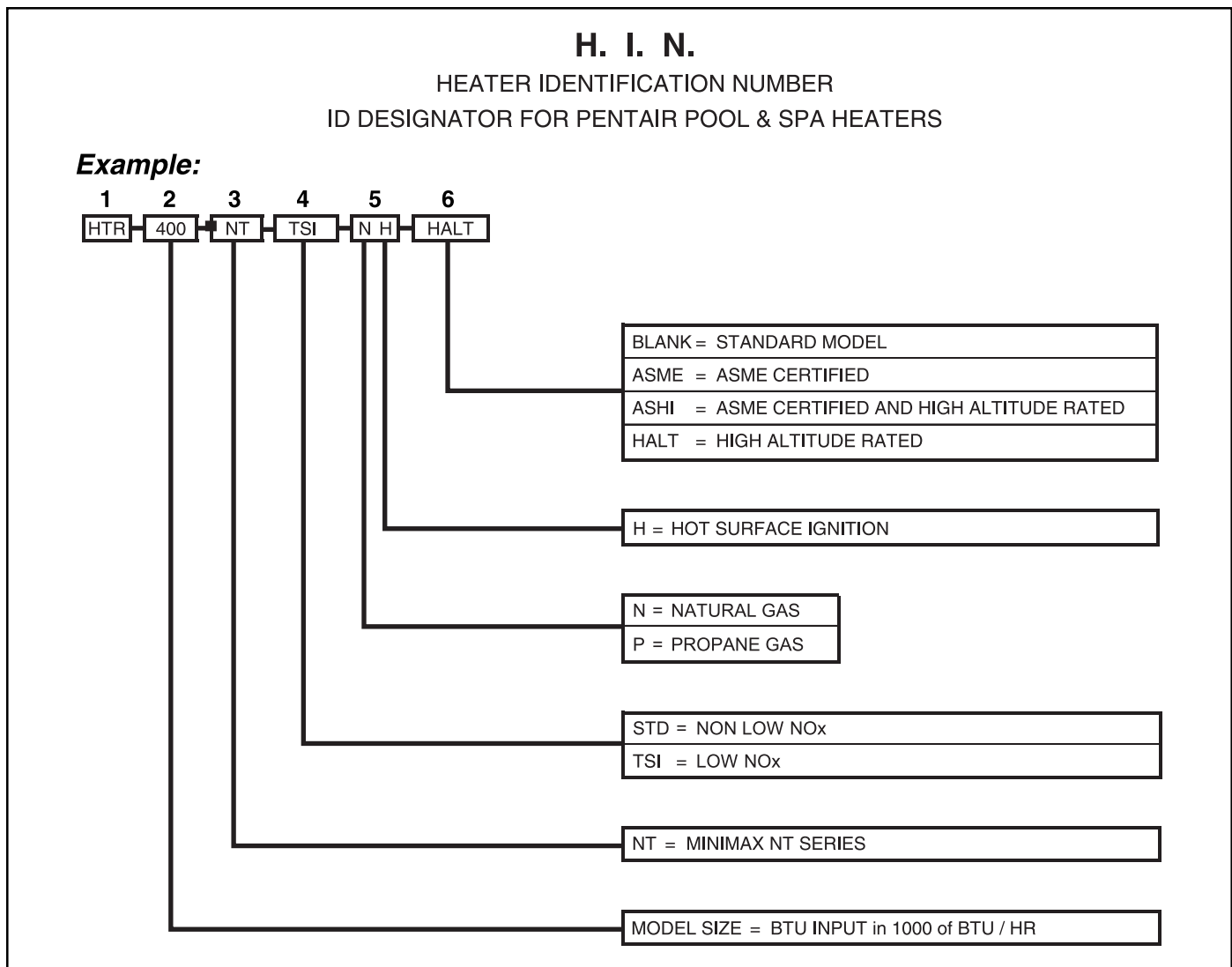
To identify the heater, see rating plate on the inner front panel of the heater. There are two designators for each heater, one is the Model Number and the other is the Heater Identification Number (HIN).

a. Heater Identification Number (HIN)

The following *example* simplifies the identification system:

- 1) **HTR** : Heater
- 2) **(200, 250, 300 or 400)** : Input rating (Btu/hr) X 1000
- 3) **NT** : MiniMax NT Series
- 4) **STD or TSI** : Series Character
- 5) **NH or PH**: Gas type (Natural gas or Propane gas) and ignition system (Hot Surface Ignition)
- 6) Options :
 - Blank**: Standard Model
 - ASME**: ASME Certified (Bronze Headers)
 - ASHI**: ASME Certified Bronze Header and High Altitude Rating
 - HALT**: High Altitude Rating

HEATER IDENTIFICATION INFORMATION — (HIN)



Introduction

MiniMax[®] NT Series

Pool and Spa Heaters

Congratulations on your purchase of a MiniMax NT high performance heating system. Proper installation and service of your new heating system and correct chemical maintenance of the water will ensure years of enjoyment. The MiniMax NT is a compact, lightweight, efficient, induced-draft, gas fired high performance pool and spa heater that can be directly connected to schedule 40 PVC pipe. The MiniMax NT also comes equipped with the Pentair multifunction temperature controller which shows, at a glance, the proper functioning of the heater. All MiniMax NT heaters are designed with a direct ignition device, HSI (hot-surface ignition), which eliminates the need for a standing pilot. The MiniMax NT requires an external power source (120/240 VAC 60 Hz) to operate.

This instruction manual provides operating instructions, installation and service information for the MiniMax NT high performance heater. The information in this manual applies to all MiniMax NT models. It is very important that the owner/installer read and understand the section covering installation instructions, and recognize the local and state codes before installing the MiniMax NT. History and experience has shown that most heater damage is caused by improper installation practices.

IMPORTANT NOTICES

...For the installer and operator of the MiniMax NT pool and spa heater. The manufacturer's warranty may be void if, for any reason, the heater is improperly installed and/or operated. Be sure to follow the instructions set forth in this manual. If you need any more information, or if you have any questions regarding to this pool heater, please contact Pentair Water Pool and Spa, Inc. at (800) 831-7133.

WARRANTY INFORMATION

The MiniMax NT pool heater is sold with a limited factory warranty. *Specific details are described on the warranty registration card which is included with the product.* Return the warranty registration card after filling in the serial number from the rating plate inside the heater.

Pentair Pool Products' high standards of excellence include a policy of continuous product improvement resulting in your state-of-the-art heater. We reserve the right to make improvements which change the specifications of the heater without incurring an obligation to update the current heater equipment.

These heaters are designed for the heating of swimming pools and spas, and should never be used as space heating boilers, general purpose water heaters, in non-stationary installations, or for the heating of salt water. The manufacturer's warranty may be void if, for any reason, the heater is improperly installed and/or operated. Be sure to follow the instructions set forth in this manual.

⚠ CAUTION

OPERATING THIS HEATER CONTINUOUSLY AT WATER TEMPERATURE BELOW 68° F. WILL CAUSE HARMFUL CONDENSATION AND WILL DAMAGE THE HEATER AND VOID THE WARRANTY. Do not use the heater to protect pools or spas from freezing if the final maintenance temperature desired is below 68° F., as this will cause condensation related problems.

CODE REQUIREMENTS

The installation must conform with local codes or, in the absence of local codes, with the *National Fuel Gas Code, ANSI Z223.1/NFPA 54* and/or *CSA B149.1, Natural Gas and Propane Installation Codes*. The heater, when installed, must be electrically grounded and bonded in accordance with local codes or, in the absence of local codes, in the USA, with the *National Electrical Code, ANSI/NFPA 7*; in Canada, with *Canadian Electric Code, CSA C22.1*.



CONSUMER INFORMATION AND SAFETY

⚠ WARNING

The U.S. Consumer Product Safety Commission warns that elevated water temperature can be hazardous. See below for water temperature guidelines before setting temperature.

1. Spa or hot tub water temperatures should never exceed 104° F. A temperature of 100° F. is considered safe for a healthy adult. Special caution is suggested for young children. Prolonged immersion in hot water can induce hyperthermia.
2. Drinking of alcoholic beverages before or during spa or hot tub use can cause drowsiness which could lead to unconsciousness and subsequently result in drowning.
3. Pregnant women beware! Soaking in water above 100° F. can cause fetal damage during the first three months of pregnancy (resulting in the birth of a brain-damaged or deformed child). Pregnant women should stick to the 100° F. maximum rule.
4. Before entering the spa or hot tub, the user should check the water temperature with an accurate thermometer. Spa or hot tub thermostats may err in regulating water temperatures by as much as 4° F.
5. Persons with a medical history of heart disease, circulatory problems, diabetes or blood pressure problems should obtain their physician's advice before using spas or hot tubs.
6. Persons taking medication which induce drowsiness, such as tranquilizers, antihistamines or anticoagulants should not use spas or hot tubs.

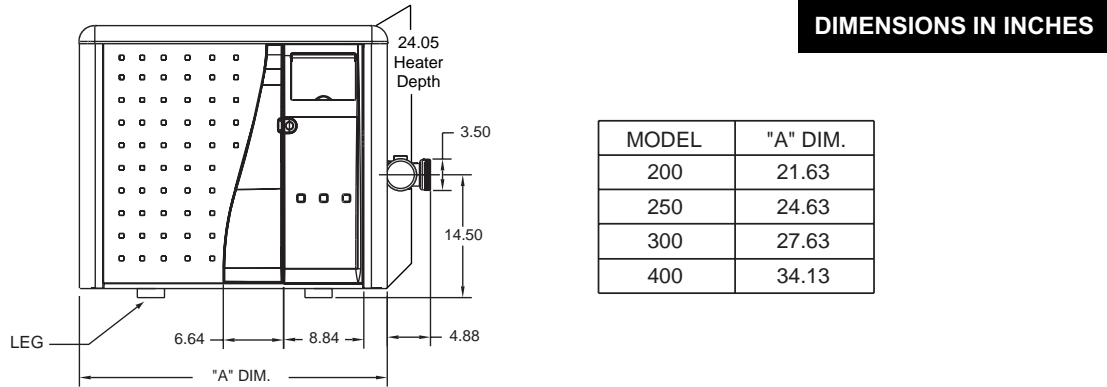
⚠ WARNING

Should overheating occur or the gas supply fail to shut off, turn off the manual gas control valve to the heater. Do not use this heater if any part has been under water. Immediately call a qualified service technician to inspect the heater and to replace any part of control system and gas control which has been under water.

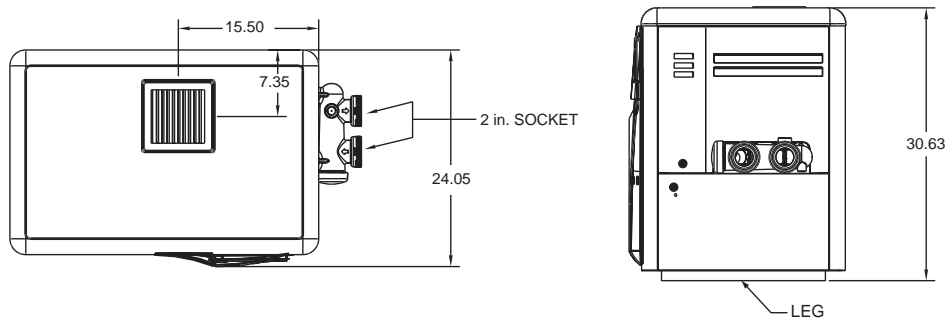
Installation Instructions

SPECIFICATIONS

These installation instructions are designed for use by qualified personnel only, trained especially for installation of this type of heating equipment and related components. Some states require installation and repair by licensed personnel. If this applies in your state, be sure your contractor bears the appropriate license. See **Figure 1** for Outdoor and Indoor Installations.



OUTDOOR INSTALLATION



INDOOR INSTALLATION

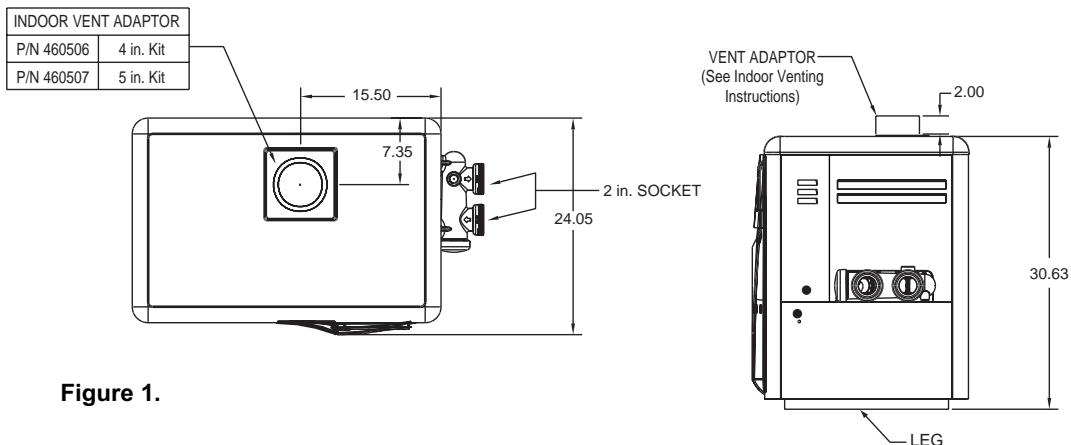


Figure 1.

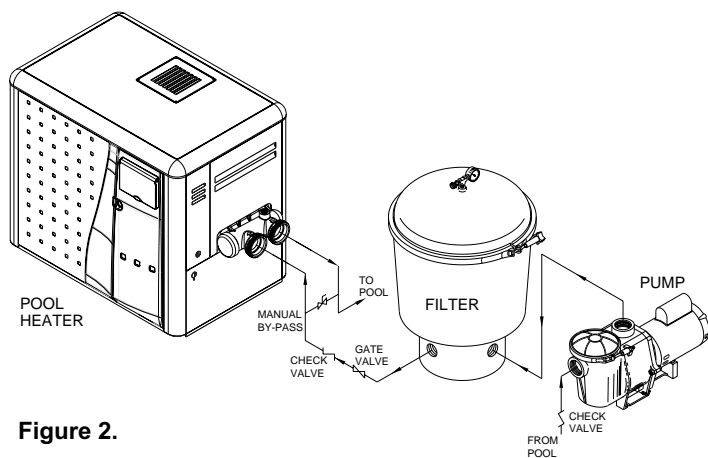


Figure 2.

PLUMBING CONNECTIONS

The MiniMax NT heater has the unique capability of direct schedule 40 PVC plumbing connections. A set of bulkhead fittings is included with the MiniMax NT to insure conformity with Pentair’s recommended PVC plumbing procedure. Other plumbing connections can be used. See [Figure 2](#) for plumbing connections.

MANUAL BY-PASS

Where the flow rate exceeds the maximum 120 GPM, a manual bypass should be installed and adjusted. After adjustments are made, the valve handle should be removed to avoid tampering. See [Figure 2](#).

Model	Min. (GPM)	Max. (GPM) *
200	20	120
250	30	120
300	30	120
400	40	120
* Do not exceed the maximum recommended flow rate for the connecting piping.		

Table 1.

See page 30 for Pressure Relief Valve Installations.

⚠ CAUTION

Before operating the heater on a new installation, turn on the circulation pump and bleed all the air from the filter using the air relief valve on top of the filter. Water should flow freely through the heater. Do not operate the heater unless water in the pool/spa is at the proper level. If a manual by-pass is installed, temporarily close it to insure that all air is purged from the heater.

BELOW POOL INSTALLATION

If the heater is below water level, the pressure switch must be adjusted. This adjustment must be done by a qualified service technician. See following **CAUTION** before installation.

VALVES

When any equipment is located below the surface of the pool or spa, valves should be placed in the circulation piping system to isolate the equipment from the pool or spa. Check valves are recommended to prevent back siphoning.

⚠ CAUTION

BELOW OR ABOVE POOL INSTALLATION

The water pressure switch is set in the factory at 1½ PSI. This setting is for a heater installed at pool level or within 3’ above or 3’ below. If the heater is to be installed more that 3’ above or 3’ below, the water pressure switch must be adjusted by a qualified service technician. See [page 22, Figure 22](#).

FLOW SWITCH

If the heater is installed more the 6’ above the pool or more than 10’ below the pool level, you will be beyond the limits of the pressure switch and a flow switch must be installed. Locate and install the flow switch externally on the outlet piping from the heater, as close as possible to the heater. Connect the flow switch wires in place of the water pressure switch wires.

⚠ CAUTION

Exercise care when installing chemical feeders so as to not allow back siphoning of chemical into the heater, filters or pump. When chemical feeders are installed in the circulation of the piping system, make sure the feeder outlet line is down stream of the heater, and is equipped with a positive seal noncorrosive “Check Valve”, (P/N R172288), between the feeder and heater.

WATER CONNECTIONS

Reversing Headers —

Reversible Inlet/Outlet Connection

The MiniMax NT Series heater is factory assembled with right side inlet/outlet water connections. The inlet/outlet header can be reversed for left side water connections **without removing the heat exchanger.**

Reversing Water Connections

Tools required:

Phillips Screw Driver
9/16 in. Socket and Wrench
1/2 in. & 9/16 in. Open Wrench

1. Remove the right and left large access doors. *It is not necessary to remove the top of the heater to gain access to the headers.*



2. Disconnect all wires from the high-limit switches except the short jumper wire.



NOTE

Do **NOT** remove the high-limit and pressure switches or the thermistor from the front header during the reversing procedure, as they will be in the proper location when installed on the left side.

3. Disconnect the water pressure switch wiring.
4. Disconnect the temperature sensor wires from the circuit board and feed them back to the header.



5. Remove the 8 bolts holding the main inlet/outlet head.



Reversible Inlet/Outlet Connection, cont'd.

On the MiniMax NT Series heater there is insulation installed by the factory on the return head side of the heaters. This insulation is there so that if the heads are reversed in the field, during initial installation of the heater, the high limits will be insulated from the heat radiating from the flue collector.

- Return head in position before removal. This view shows the insulation installed by the factory. Remove the 8 bolts holding the return head in place.



- When heads are removed, replace the heat exchanger tube seal gaskets.



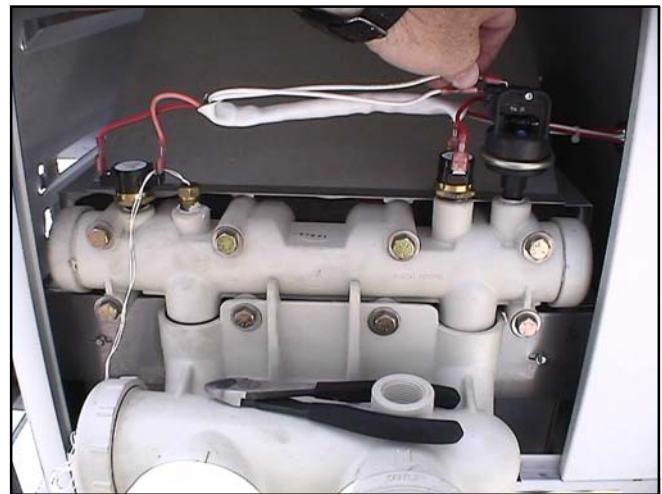
- Exchange the inlet/outlet header with the return header. Lift the insulation to allow the main head to be installed. Align header with the heat exchanger. When head is placed into position, release the insulation; it will now shield the high limits from the heat produced by the flue collector. Install header bolts, and tighten snugly by hand. (This will help avoid cross threading.) When tightening, use a cross pattern starting from the center of the header. **DO NOT over tighten.**



- Install the temperature sensing probe by passing the wires through the hole provided on the left side of the brace panel. Route wires through the support bracket.



- Reconnect all the high limit wires and the pressure switch wiring, routing the wires through the same hole as the thermostat sensor wires.



- Pump and bleed system to check the head for leaks.
- Reinstall the two large inspection plates on the appropriate side.

Remember: The inlet and outlet markings on the header are still correct.
Do not plumb the heater backwards.

GAS CONNECTIONS

GAS LINE INSTALLATIONS

Before installing the gas line, be sure to check which gas the heater has been designed to burn. This is important because different types of gas require different gas pipe sizes. The rating plate on the heater will indicate which gas the heater is designed to burn. The tables, shown on page 12, show which size pipe is required for the distance from the gas meter to the heater. The table is for natural gas at a specific gravity of .65 and propane at a specific gravity of 1.55.

When sizing gas lines, calculate three (3) additional feet of straight pipe for every elbow used. When installing the gas line, avoid getting dirt, grease or other foreign material in the pipe as this may cause damage to the gas valve, which may result in heater failure.

The gas meter should be checked to make sure that it will supply enough gas to the heater and any other appliances that may be used on the same meter. The gas line from the meter will usually be of a larger size than the gas valve supplied with the heater. Therefore a reduction of the connecting gas pipe will be necessary. Make this reduction as close to the heater as possible.

The heater and any other gas appliances must be disconnected from the gas supply piping system during any pressure testing on that system, (greater than ½ PSI). The heater and its gas connection must be leak tested before placing the heater in operation. **Do not use flame to test the gas line.** Use soapy water or another nonflammable method.

NOTE

A manual main shut-off valve must be installed externally to the heater.

⚠WARNING

DO NOT INSTALL THE GAS LINE UNION INSIDE THE HEATER CABINET. THIS WILL VOID YOUR WARRANTY.

SEDIMENT TRAPS

Install a sediment in front of the gas controls. The sediment trap shall be either a tee fitting with a capped nipple in the bottom outlet which can be removed for cleaning, as illustrated in Figure 3, or a other device recognized as an effective sediment trap. All gas piping should be tested after installation in accordance with local codes.

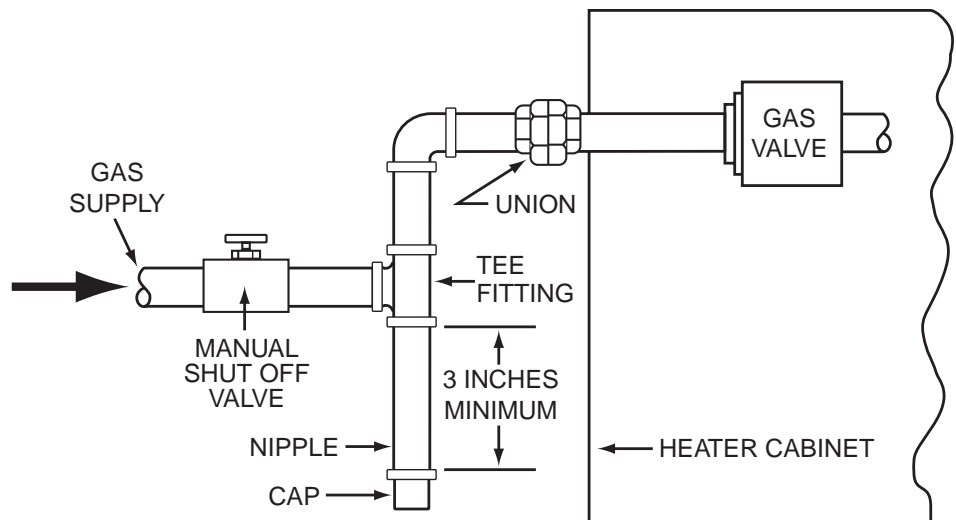


Figure 3.

GAS PIPE SIZING

Table 2.

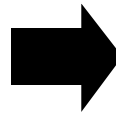
PIPE SIZING FOR GAS LINE CONNECTIONS														
MAXIMUM EQUIVALENT PIPE LENGTH (Ft.)														
Natural Gas at 1000 B.T.U. per Cubic Foot														
Propane Gas at 2500 B.T.U. per Cubic Foot														
MODEL	1/2"		3/4"		1"		1-1/4"		1-1/2"		2"		2-1/2"	
	NAT	PRO	NAT	PRO	NAT	PRO	NAT	PRO	NAT	PRO	NAT	PRO	NAT	PRO
200	-	20'	30'	80'	125'	250'	450'	600'	-	-	-	-	-	-
250	-	10'	20'	50'	70'	150'	250'	500'	600'	-	-	-	-	-
300	-	-	10'	30'	50'	100'	200'	350'	400'	600'	-	-	-	-
400	-	-	-	10'	20'	60'	100'	150'	200'	450'	400'	-	-	-

“RESIDENTIAL” PROPANE GAS 2 STAGE REGULATION

In many Propane gas line installations, the gas supplier and/or installer will utilize a two stage regulation process where by at the supply tank they will install the first stage gas regulator; which would be at a higher pressure, usually 10 psi. This higher pressure allows for a much longer distance and in a much smaller pipe size. Then within a short distance of the pool heater, usually around 24 inches, they will install a second regulator, which is the second stage, and this would be set at the required inlet pressure of the heater.

See “Gas Pressure Requirement Charts”

Stage One "High Pressure" Gas Pipe Sizing			
10 PSI @ 2500 B.T.U. Per CU. FT.			
MAXIMUM EQUIVALENT PIPE LENGTH			
Model	0 to 50 Ft.	50 to 100 Ft.	100 to 150 Ft.
200 through 400	1/2 in.	1/2 in.	1/2 in.



Stage Two "Low Pressure" Gas Pipe Sizing		
Stage 2 set at 14 in. W.C.		
MAXIMUM EQUIVALENT PIPE LENGTH		
Model	0 to 10 Ft.	10 to 20 Ft.
200 through 400	3/4 in.	3/4 in.

Table 3.

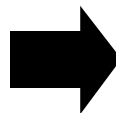
Table 4.

“RESIDENTIAL” NATURAL GAS 2 STAGE REGULATION

In many Natural gas line installations, the gas supplier and/or installer may utilize a two stage regulation process where by at the streets main gas supply they will install the first stage gas regulator, which would be at a higher pressure. This higher pressure is usually set at 2 psi or 5 psi and can be for long distances and in a much smaller pipe size. Then within a short distance of the pool heater, generally around 24 inches, they will install a second regulator, which is the second stage. This second stage regulator would be set at the minimum operating pressure for the heater. For “Natural Gas Pentair Pool Heaters” the minimum is 7 inches W.C.

See “Gas Pressure Requirement Charts”

Stage One "High Pressure" Gas Pipe Sizing			
2 PSI @ 1000 B.T.U. Per CU. FT.			
MAXIMUM EQUIVALENT PIPE LENGTH			
Model	0 to 50 Ft.	50 to 100 Ft.	100 to 150 Ft.
200 through 300	1/2 in.	1/2 in.	1/2 in.
400	3/4 in.	3/4 in.	3/4 in.
5 PSI @ 1000 B.T.U. Per CU. FT.			
200 through 400	1/2 in.	1/2 in.	1/2 in.



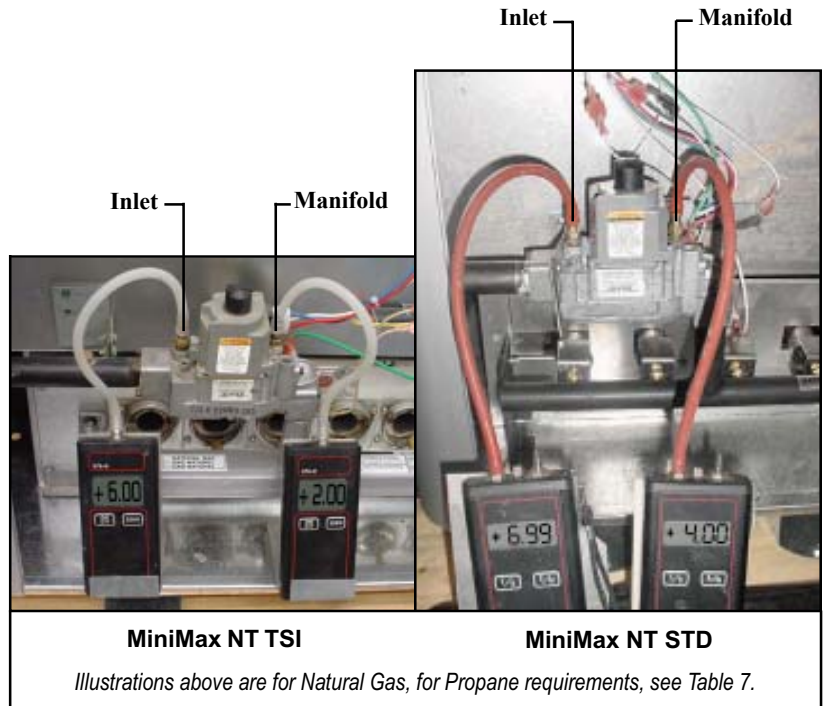
Stage Two "Low Pressure" Gas Pipe Sizing		
Stage 2 set at 7 in. W.C.		
MAXIMUM EQUIVALENT PIPE LENGTH		
Model	0 to 10 Ft.	10 to 20 Ft.
200 through 300	3/4 in.	3/4 in.
400	3/4 in.	1 in.
Stage 2 set at 7 in. W.C.		
200 through 400	3/4 in.	1 in.

Table 5.

Table 6.

TESTING GAS PRESSURE

1. Push the power switch to “OFF”.
2. Turn the gas valve knob to “OFF”.
3. Remove 1/8 in. NPT plug on the outlet side of the valve and screw in the fitting from the Manometer kit.
4. Connect the Manometer hose to the fitting.
5. Turn the gas valve knob to “ON”.
6. Turn on the heater and read the Manometer.
7. The Manometer must read per the values of the Gas Pressure Requirement Table, on manifold side of the gas valve, while operating.
8. If reading is below specified; check the inlet pressure while the heater is running to make sure of proper supply before attempting adjustments.
9. For adjustment, remove the Regulator Adjustment Cap and using a screwdriver turn the screw clockwise to increase - counterclockwise to decrease gas pressure.



CAUTION

The use of Flexible Connectors (FLEX) is **NOT** recommended as they cause excessive high gas pressure drops.

GAS PRESSURE REQUIREMENTS

Gas Pressure	Model	Natural	Propane
		Inches W.C.	
Maximum Inlet	STD	10	14
	TSI	10	N/A
Minimum Inlet	STD	5*	12
	TSI	4	N/A
Manifold	STD	4	11
	TSI	2	N/A

NOTE: All readings must be taken while heater is operating. Any adjustments or readings made while heater is off will result in performance problems.

All Values are +/- 0.2 inch W.C.
 * 6 inch. W.C. for STD 400 Model.

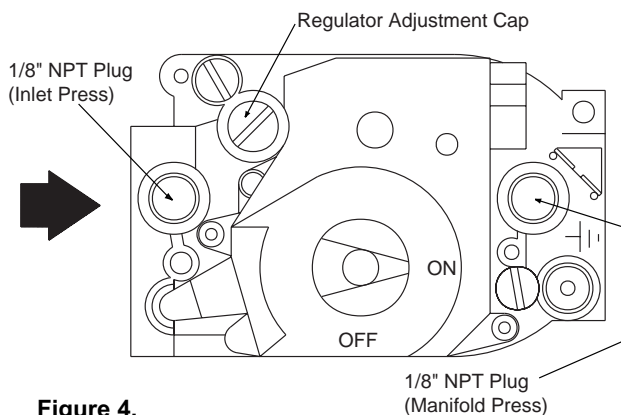


Figure 4.

Table 7.

INDOOR VENTING — General Requirements

The vent pipe must be the same size or larger. The MiniMax NT heaters are capable of a 360-degree discharge rotation and operate with a positive vent static pressure and with a vent gas temperature less than 400° F. The total length of the horizontal run must not exceed the length that is listed below in the tables.

NOTE

The allowable vent runs for each vent pipe diameter are different and can not be exceeded.

Each 90-degree elbow reduces the maximum horizontal vent run by 8 feet and each 45-degree elbow in the vent run reduces the maximum vent run by 4 feet. See the tables below for the maximum vent lengths using 90-degree and 45-degree elbows.

The MiniMax NT is a “Category III” appliance and is an induced-draft pool and spa heater which uses positive pressure to push flue gases through the vent pipe to the outside. This requires a completely sealed vent system—single wall vent pipe with sealed-seams and joints. **Flue gases under positive pressure may escape into the dwelling with any cracks or loose joints in the vent pipe, or improper vent installation.** The vent pipe must be of a sealed-seam construction, such as those listed for use with “Category III Appliances”, and for operating temperatures less than 400° F. The use of listed thimbles, roof jacks and/or side vent terminals are required; and the proper clearances to combustible materials must be maintained in accordance with type of vent pipe employed—in the absence of a clearance recommendation by the vent pipe manufacturer, the requirements of the Uniform Mechanical Code should be met. **The ventilation air requirements for the MiniMax NT heater can be found on page 16.** It is recommended that vent runs over 18 feet be insulated to reduce condensation related problems and/or the use of a condensate trap in the vent run close to the heater may be necessary in certain installations such as cold climates. The MiniMax NT heater is suitable for through-the-wall venting, see table and dimensions below.

Recommended sources for Side-wall vent hood terminals include: The Field Controls Co. (2308 Airport Road, Kingston, NC 28501, (800)742-8368) and Tjernlund Products Inc. (1601 Ninth Street, White Bear Lake, MN 55110, (800) 255-4208)—consult manufacturer for model information and availability.

4 inch Vent Pipe		
Number of Elbows		Maximum Vent Run (Feet)
90°	45°	
1	—	22
1	1	18
1	2	14
2	—	14

Table 8.

5 inch Vent Pipe			5 inch Vent Pipe		
Number of Elbows		Maximum Vent Run (Feet)	Number of Elbows		Maximum Vent Run (Feet)
90°	45°		90°	45°	
0	2	45	2	2	29
1	—	45	2	3	25
1	1	41	2	4	21
1	2	37	3	—	29
1	3	33	3	1	25
2	—	37	3	2	21
2	1	33	4	—	21

Table 9.

⚠ CAUTION
Do NOT combine exhaust vent pipes to a common exhaust vent in multiple unit installations. Run separate vent pipes.

THROUGH WALL VENT KITS FOR HEATERS						
Part Number	Dim. A	Dim. B	Dim. C	Dim. D	Dim. E	Dim. F
471532	4 in. Dia.	6 in. Dia.	8½ in.	6 5/16 in.	12 5/8 in.	10 5/8 in.
471543	5 in. Dia.	8 in. Dia.	8½ in.	8 in.	12 5/8 in.	10 5/8 in.

Table 10.

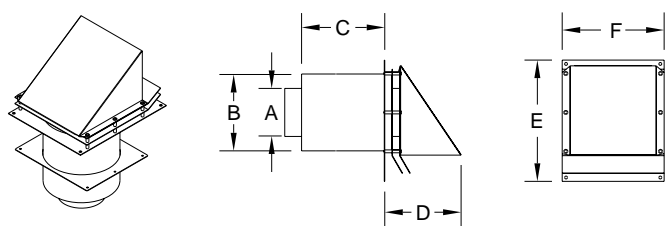


Figure 5.

INDOOR INSTALLATION (USA ONLY)

OUTDOOR SHELTER INSTALLATION (CANADA)

See page 16 for Vent Adaptors

All products of combustion and vent gases must be completely removed to the outside atmosphere through a vent pipe which is connected to the stack adaptor. A vent pipe extension of the same size must be connected to the vent adaptor and extended at least 2 feet higher than highest point of the roof within a 10 foot horizontal radius, and at least 3 ft. higher than the point at which it passes through the roof, or as permitted by local code; see Figures 6, 7 and 12. The vent should terminate with an approved vent cap (weather cap) for protection against rain or blockage by snow. Insulated vent pipe and an approved roof jack shall be employed through the roof penetration.

The heater must be located as close as practical to a chimney or gas vent.

⚠ CAUTION
The heater should be installed at least 5 feet away from the pool or spa.

The heater must be placed in a suitable room with adequate ventilation and on a leveled floor, where leakage from heat exchanger or water connections will not result in damage to the area adjacent to the heater or the structure. When such locations cannot be avoided, it is recommended that a suitable drain pan with adequate drainage, be installed under the heater. The pan must not restrict air flow.

It is recommended to install the heater on fire-resistance slabs. Do not install the heater directly on a combustible wood floor without placing a non-combustible material between the floor and the heater. **Heaters must NEVER be installed directly on carpeting.**

Installations in basements, garages, or underground structures where flammable liquids may be stored must have the heater elevated 18 inches from the floor. The following minimum clearances from combustible materials must be provided.

SIDE OF HEATER	INSTALLATION	
	INDOOR (Outdoor Shelter)	OUTDOOR
	INCHES	INCHES
WATER PIPING	18	18
BLANK	6	6
REAR	6	6
TOP *	18	Open Un-roofed Area
FRONT	24	24
* To ceiling or roof.		

Table 11.

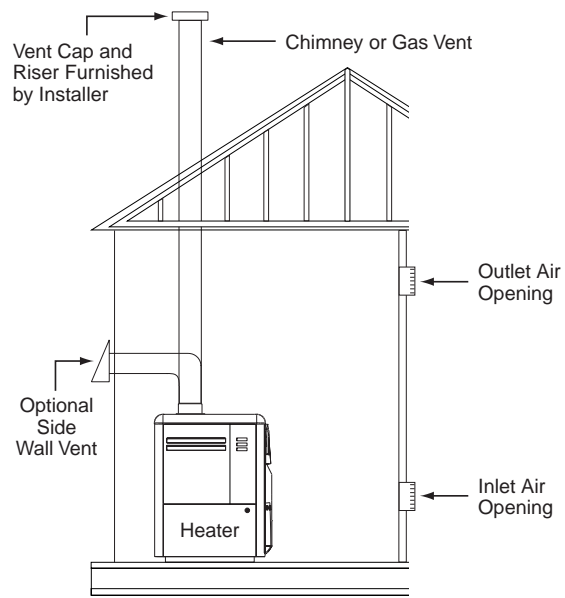


Figure 6.

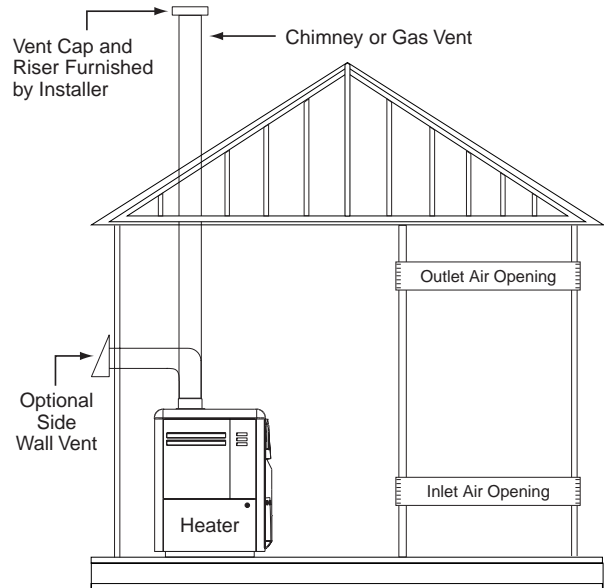


Figure 7.

The heater should not be installed closer than 6 inches to any fences, walls or shrubs at any side or back, nor closer than 18 inches at the plumbing side. A minimum clearance of 24 inches must be maintained at the front of the heater.

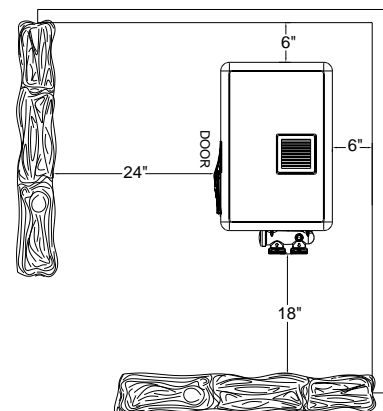


Figure 8.

COMBUSTION AIR SUPPLY

For indoor installation, the heater location must provide sufficient air supply for proper combustion and ventilation of the surrounding area.

The requirements for the air supply specify that the room in which a heater is installed should be provided with two permanent air supply openings; one within 12 inches of the ceiling, the other within 12 inches of the floor. These openings shall directly, or through duct, connect to outdoor air.

Pentair Water Pool and Spa, Inc. does not recommend indoor installations that do not provide combustion air from outside the building.

Air Supply Requirements Guide for MiniMax NT Heaters

Net Free open Area for Each Opening * (Square Inches)		
Heater Size	Ducted from Outside	Direct from Outside
200	100	50
250	125	63
300	150	75
400	200	100

* Area indicated is for one of two openings; one at floor level and one at the ceiling.
NOTE: If using louvered type or screen type openings, check with Louver/Screen Manufacturers to correct for the Louver/Screen resistance.

Table 12.

CAUTION

Chemicals should not be stored near the heater installation. Combustion air can be contaminated by corrosive chemical fumes which can void the warranty.

VENT ADAPTORS

(FITS ALL MODELS)

The proper vent adaptor must be installed on the heater as shown below in **Figure 9**.

Product No.	Vent Dia.
460506	4 in.
460507	5 in.

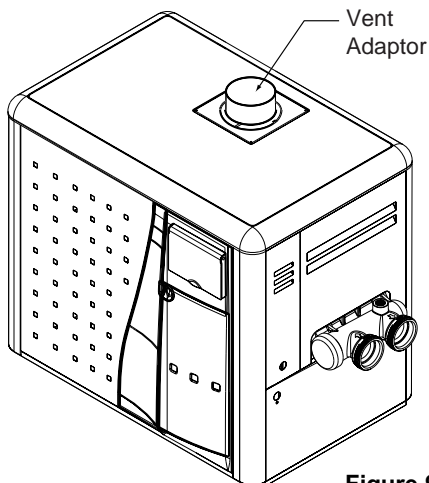


Figure 9.

1. Remove the six (6) retaining screws from the old exhaust grill and discard the screws, gasket, and exhaust grill as shown in **Figure 10**.

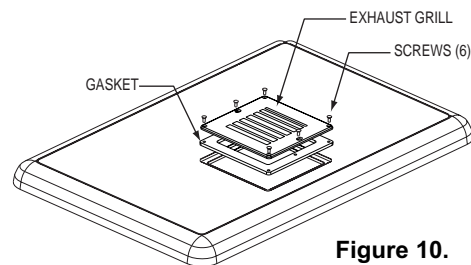


Figure 10.

2. Install the Vent Adaptor as shown in **Figure 11**. Make sure the holes in the gasket, metal flange of the main vent assembly, and heater cover are aligned before securing into place using the six (6) screws provided in the Vent Adaptor Kit.

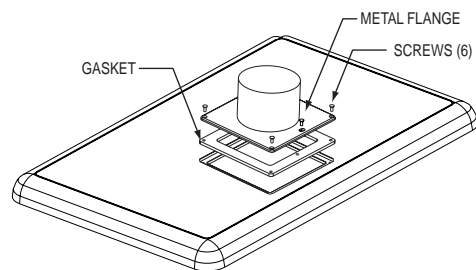
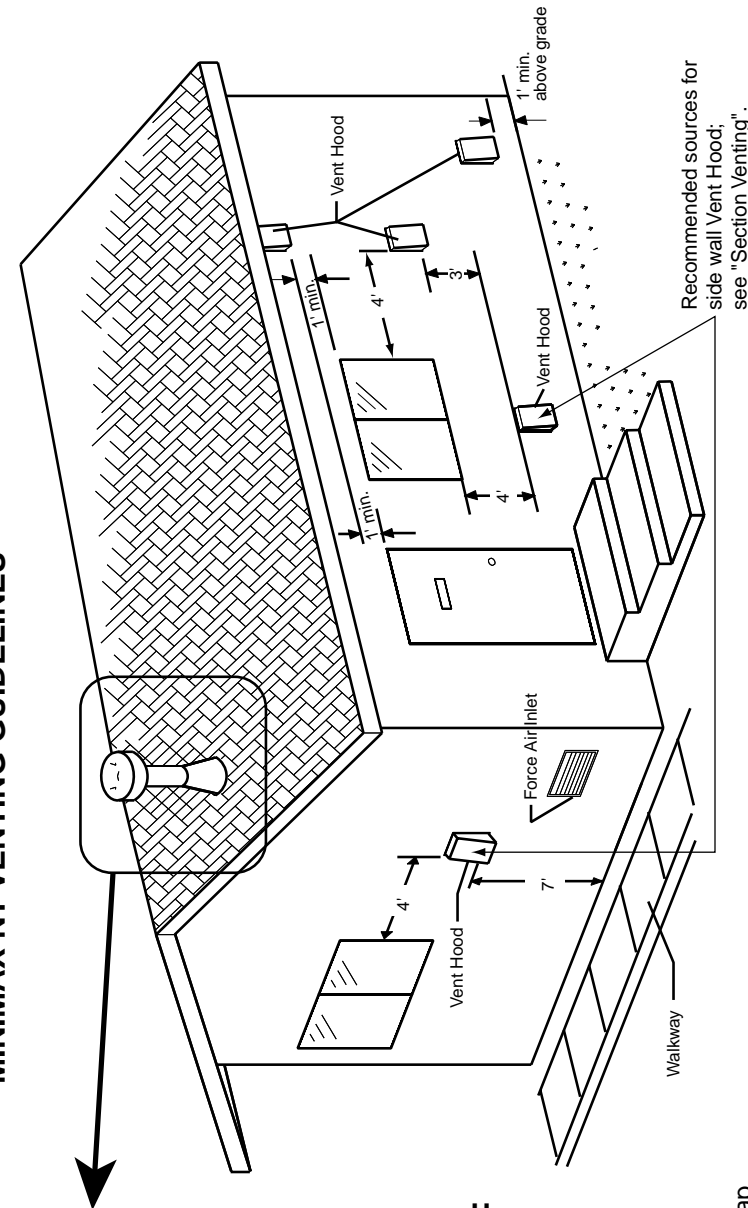


Figure 11.

INDOOR INSTALLATIONS MINIMUM VENTING GUIDELINES



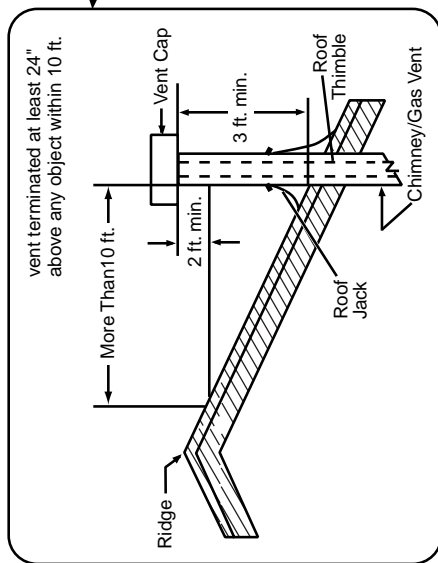
Vent termination for side wall installations:

- must be not less than 7 ft. above public walkways.
- must be at least 3 ft. above any outside air intake located within a 10 ft. radius.
- **must NOT** be within 3 ft. of an inside corner of the structure.
- must be at least 1 ft. above grade.
- must be located the following distances away from any door, window, or gravity air inlet:
 - 4 ft. below
 - 4 ft. horizontally
 - 1 ft. above

Air Supply

- Clearances indicated are for non-mechanical air supply inlet to the building. For mechanical air supply inlet, a minimum horizontal clearance of 10 feet should be maintained away from the vent termination.

Figure 12.



Vent for roof penetration installations:

- must extend at least 3 ft. higher than the point at which it passes through the roof, or as permitted by local code.
- must use a roof thimble through the roof penetration.
- must terminate with an approved (listed) roof jack, storm collar, and vent/weather cap.

Vent pipe extension:

- must be the same diameter as the vent connector.
- must be suitable for use with category III appliances with flue gas temperature ratings less than 400 deg. F.
- may use a single wall vent pipe with permanently sealed seams, joints and proper insulating materials.

OUTDOOR INSTALLATION (Outdoor Shelter Installation in Canada, see [page 15](#))

For outdoor installation with an exhaust grill, the heater must be placed in a suitable area on a level, noncombustible surface. Do not install the heater under an overhang with clearances less than 3 feet from the top of the heater. The area under an overhang must be open on three sides. **Do NOT, under any circumstances, install the heater under ANY deck.**

IMPORTANT!

- In an outdoor installation it is important to ensure water is diverted from overhanging eaves with a proper gutter/drainage system. The heater must be set on a level foundation for proper drainage.
- Under certain conditions, “heavy rains or unusually high winds”, it may be necessary to install an outdoors vent. In this situation, use Outdoor Vent Kit, P/N 460424, (see below).
- This unit shall not be operated outdoors at temperatures below -20° F.

OUTDOOR INSTALLATION VENTING GUIDELINES

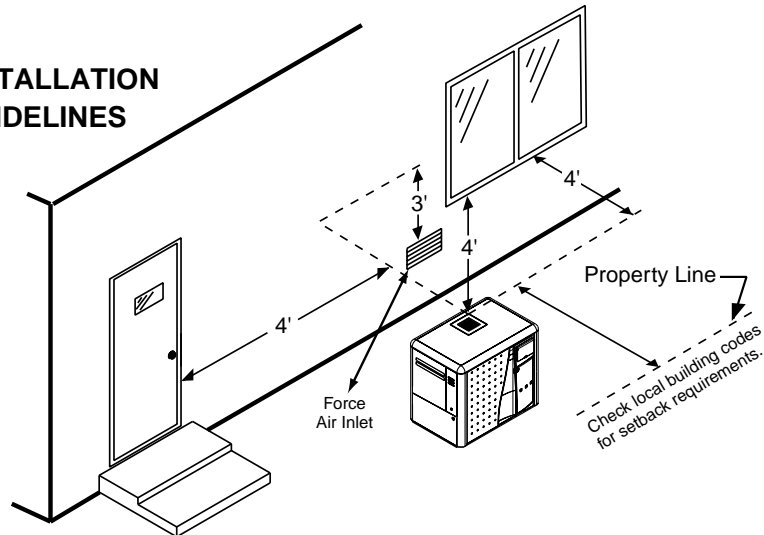
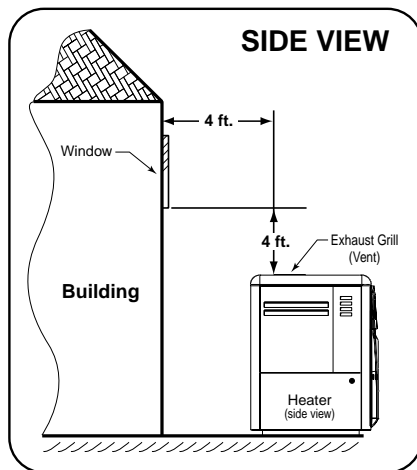


Figure 13.

Vent Termination:

- Must be at least 3 ft. above any forced air inlet located within a 10 ft. radius.
- Must be located 4 feet away from the building wall openings, and at the following distances away from any door, window, or gravity air inlet:
 - 4 ft. below,
 - 4 ft. horizontally

OUTDOOR VENT KIT

1. Remove the six (6) retaining screws from the old exhaust grill and discard the screws, gasket, and exhaust grill as shown in [Figure 14](#).
2. Install the Outdoor Vent Kit, (P/N 460424), as shown in [Figure 15](#). Make sure the holes in the gasket, metal flange of the main vent assembly, and heater cover are aligned before securing into place using the six (6) screws provided in the Outdoor Vent Kit.

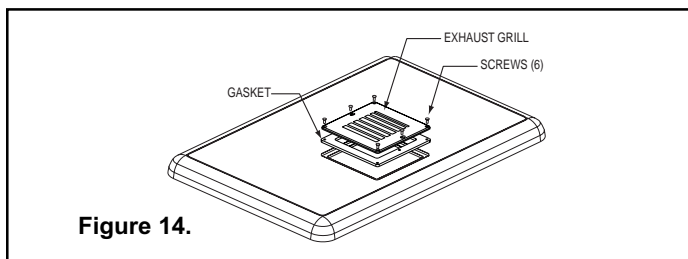


Figure 14.

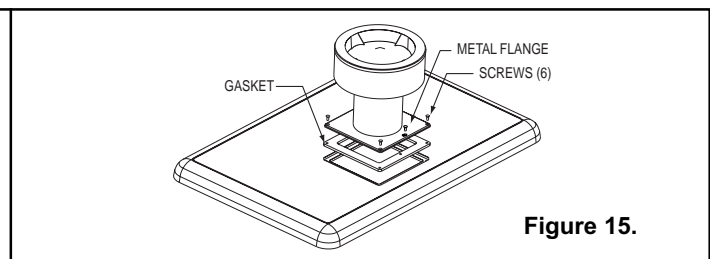


Figure 15.

CAUTION

If installing the heater next to or near an air conditioning unit or a heat pump, allow a minimum of 36 in. between the air conditioning unit and the heater.

ELECTRICAL CONNECTIONS

Electrical Rating 60 Hz 120 / 240 Volts AC, single phase

⚠ CAUTION

This heater is designed to operate at 120 or 240 VAC. It is not recommended to be connected to OR operate on a 208 VAC.

NOTE

- The MiniMax NT heater is prewired for 240-volt AC connection using the “RED” connector and the “BEIGE” common connector; see [Figure 16](#) below. For 120-volt AC supply, remove the “BEIGE” common connector and plug it into the “BLUE” common connector.
- When connecting the power supply to the “Line Terminal Block” inside the junction box, follow the polarity as shown below. Connecting to 120 VAC, make sure that you connect the wire to the terminal (L), the neutral wire is connected to the neutral terminal (N) and the ground is connected to the ground terminal (GND); see below, [Figure 17](#).
- If any of the original wiring supplied with this heater must be replaced, installer must supply (No. 18 AWG, 600V, 105° C. U.L. approved AWM low energy stranded) copper wire or it's equivalent. Thermal fuse wiring must be replaced with 18 AWG, 600V, 150° C. temp. rating.

⚠ CAUTION

The installation must conform with local codes or, in the absence of local codes, with the *National Fuel Gas Code, ANSI Z223.1/NFPA 54* and/or *CSA B149.1, Natural Gas and Propane Installation Codes*. If an external electrical source is utilized, the heater, when installed, must be electrically grounded and bonded in accordance with local codes or, in the absence of local codes, in the USA, with the *National Electrical Code, ANSI/NFPA 7*; in Canada, with *Canadian Electric Code, CSA C22.1*.

Always use crimp type connectors when connecting two wires.

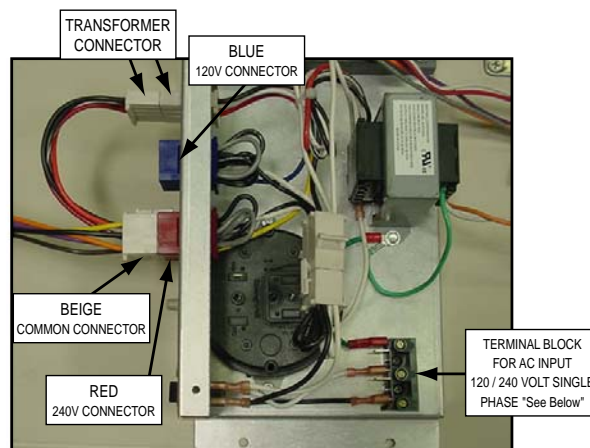


Figure 16.

You need to open the right door then remove the control panel cover for servicing the Line Terminal Block as shown in Figures 16 & 17, (see item 40 in the exploded view on [page 33](#)).

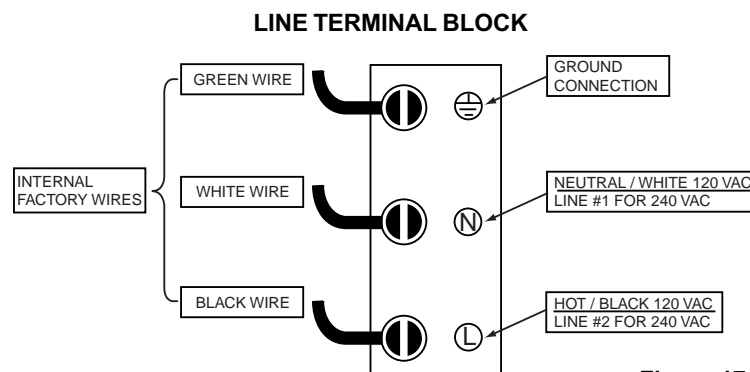


Figure 17.

WIRING DIAGRAM—NT STD & TSI WITH DDTC

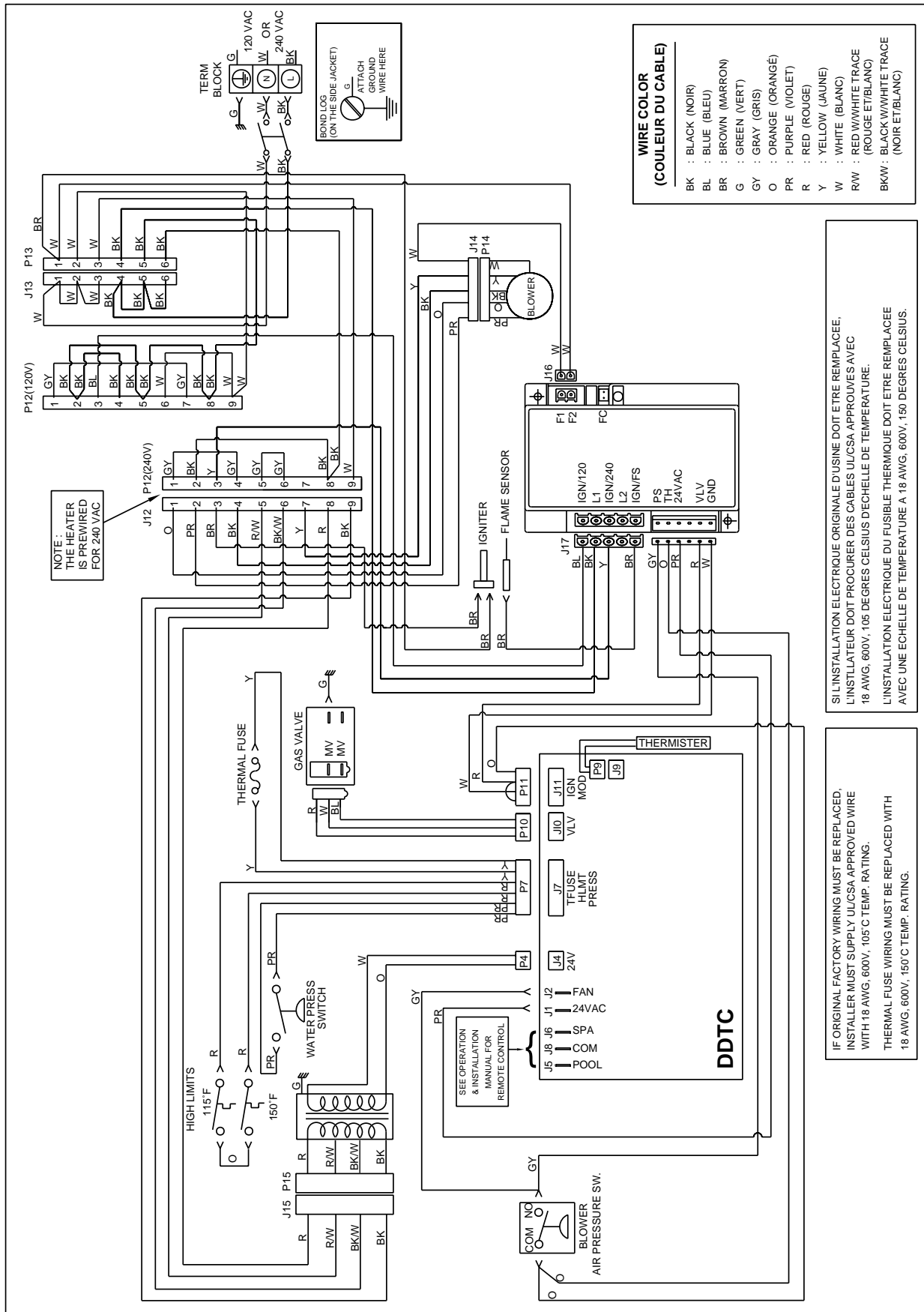


Figure 19.

Operation Instruction

BASIC SYSTEM OPERATION

1. **Start pump, make sure the pump is running and is primed, to close the water pressure switch and supply power to heater.** Be sure the pool and/or spa is properly filled with water. Follow the Lighting/Operating instructions below.

MINIMAX NT HSI ELECTRONIC IGNITION LIGHTING/OPERATION

FOR YOUR SAFETY: READ BEFORE LIGHTING

⚠ WARNING





If you do not follow these instructions exactly, a fire or explosion may result causing property damage, personal injury or loss of life.

Do not attempt to light the heater if you suspect a gas leak. Lighting the heater can result in a fire or explosion which can cause personal injury, death, and property damage.

- A. This appliance does not have a pilot. It is equipped with an ignition device which automatically lights the burners. Do not try to light the burners by hand.
- B. **BEFORE OPERATING**, smell all around the appliance area for gas. Be sure to smell next to the floor because some gas is heavier than air and will settle on the floor.
 - Do not try to light any appliance.
 - Do not touch any electrical switch; do not use any phone in your building.
 - Immediately call your gas supplier from a neighbor's phone. Follow the gas supplier's instructions.
- If you cannot reach your gas supplier, call the Fire Department.
- C. Use only your hand to push in or turn the gas control knob. Never use tools. If the knob will not push in or turn by hand, don't try to repair it, call a qualified service technician. Forced or attempted repair may result in a fire or explosion.
- D. Do not use this appliance if any part has been under water. Immediately call a qualified service technician to inspect the appliance and to replace any part of the control system and any gas control which has been under water.

WHAT TO DO IF YOU SMELL GAS

OPERATING INSTRUCTIONS

1. **STOP!** Read the safety information above, (A through D).
2. Open the access doors. Set power switch to "OFF", (see [Figure 25](#)).
3. Set the thermostat to "OFF", (see [page 27](#)).
4. This appliance is equipped with an ignition device which automatically lights the burners. Do not try to light the burners by hand.
5. Push in gas control knob slightly and turn clockwise  to "OFF".
NOTE: Knob cannot be turned to "OFF" unless knob is pushed in slightly. Do not force.
6. Wait five (5) minutes to clear out any gas. If you then smell gas, **STOP!** Follow "B" in the safety information above. If you don't smell gas, go to the next step.
7. Turn gas control knob counterclockwise  to "ON". See [Figure 20](#).
8. Close the access doors and set the thermostat to desired Mode: "POOL, SPA or REMOTE".
9. Set the thermostat to the desired temperature setting.
 - a. Ignition module is energized and the pre-purge cycle is started, approximately 15 seconds.
 - b. Fan motor starts, which closes Vacuum Air Pressure (fan) switch.
 - c. Check for powering-up the (glow coil) hot-surface ignitor by viewing through the glass window or opening on the burner face plate.
10. If the appliance will not operate, follow the instructions "To Turn Off Gas To Appliance" and call your service technician or gas supplier.

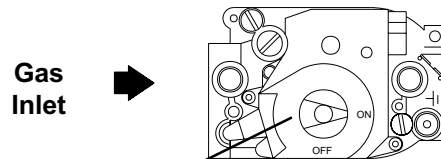



Figure 20. Gas control knob shown in "ON" position.

TO TURN OFF GAS TO APPLIANCE

1. Turn off all electric power to the appliance if service is to be performed.
2. Set the thermostat to "OFF".
3. Open access doors.
4. Push in gas control knob slightly and turn clockwise  to "OFF". **Do not force.**
5. Close access doors.

SAFETY CONTROLS

VACUUM AIR PRESSURE (FAN) SWITCH

The air pressure switch, (see **Figure 21**), is a safety device used to insure that the combustion air blower (fan) is operating and has been designed to monitor the vacuum (negative) pressure within the blower housing. The air pressure switch is factory set and is connected upstream of the ignition module. The ignition module does not operate unless the air pressure switch and all safety switches are closed.

WATER PRESSURE SWITCH

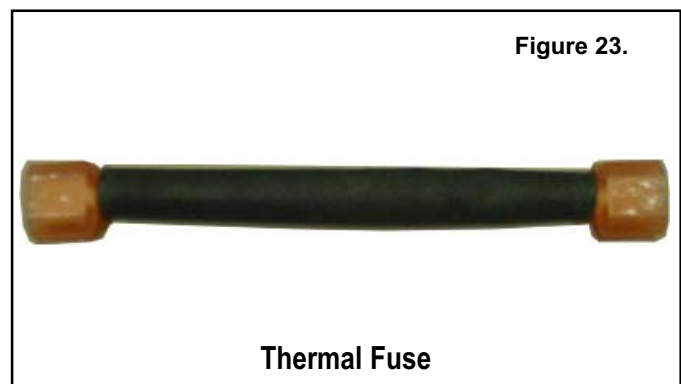
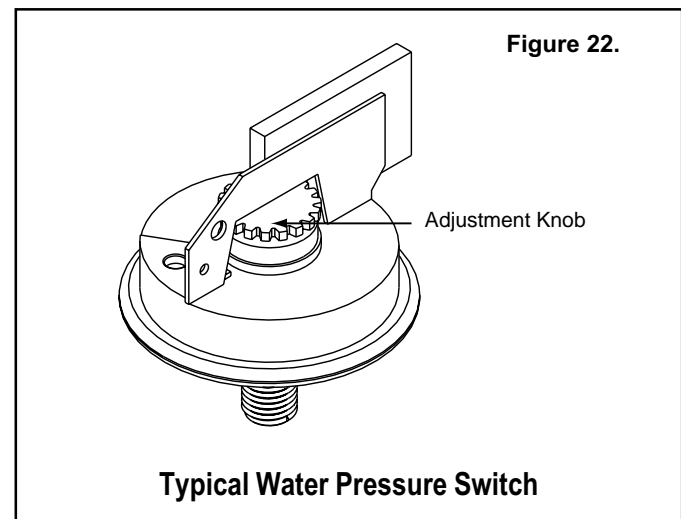
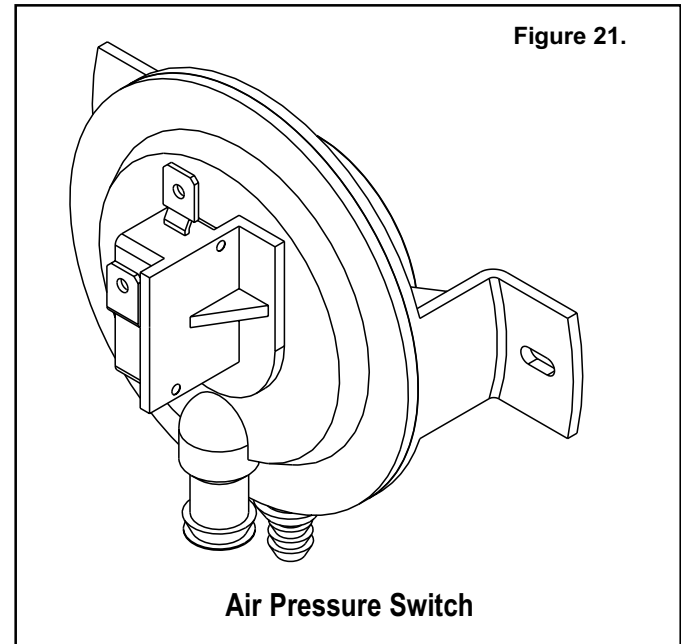
The water pressure switch, (see **Figure 22**), closes when there is a sufficient flow of water to the heat exchanger to safely operate the heater. The switch has been preset by the Factory at 1½ PSI for operation. **NOTE:** See, *Below Pool Level Installation instructions on page 8*. The switch may remain closed with no water flow if there is more than a 3 ft. elevation difference between the heater (heat exchanger) and the pool water line—if this is the case, the water pressure switch must be reset by a qualified service technician to maintain open switch contacts with no water flow.

NOTE

If the pool is more than one floor above or one floor below the heater, the water pressure switch may have to be replaced with a flow switch.

THERMAL FUSE

This is a single-use switch, mounted on combustion chamber jacket divider (inner front panel). The fuse, (see **Figure 23**), is activated by excessive temperature due to abnormal operating conditions. Upon detection of excessive heat within the inner front panel, the fuse will open the safety circuit causing shutdown of the heater.



SAFETY CONTROLS, (cont'd.)

HIGH LIMITS

A “High Limit”, is a safety device that opens the electrical circuit and shuts off the heater based on a water temperature set point within the “High Limit Device”. The MiniMax NT series of heaters contains two (2) high limit devices which are located on the main inlet / outlet header, one sensing the inlet water temperature and one sensing the outlet water temperature.

OPERATION OF IGNITION MODULE

The Ignition Module, (see [Figure 24](#)), is microprocessor based and operates on 24 VAC supplied by the transformer. The control utilizes a microprocessor to continually and safely monitor, analyze, and control the proper operation of the gas burners. The module with the presence of the flame sensor, using flame rectification, allows the heater to operate.

1. HEAT MODE

- When a call for heat is received from the thermostat supplying 24 volts to the (TH) terminal, the module will check the pressure switch for normally open contact. The combustion blower is then energized and, once the air pressure switch contacts close, the 15-second "pre-purge" period begins. After pre-purge, the hot surface igniter is energized for approximately 40-second heat-up period, followed by the gas valve for the "trial for ignition" (TFI) period, for maximum of 7 seconds for the STD model and 6 seconds for the TSI model.
- When the flame is detected during the TFI period, through the flame sensor, the igniter is deactivated and the gas valve remains energized.

Note: For all TSI heaters: After the pre-purge period the combustion blower slows down to half normal speed during the heat-up and TFI periods and continues thereafter for another 30 seconds at low speed, then return to full speed for the remainder of the heating cycle.

- The thermostat, air pressure switch and burner flame are constantly monitored to assure that the system operates properly. When the thermostat is satisfied and the demand for heat ends, the gas valve is immediately de-energized, the module senses the loss of flame signal and initiates the 45-second "post-purge" period before de-energizing the combustion blower.

2. FAILURE TO LIGHT THE BURNER—LOCK OUT

Should the main burner fail to light, or the flame is not detected during the first TFI (try for ignition) cycle, the gas valve is de-energized and the ignition module performs an "inter-purge" delay (approximately 15 seconds) before attempting another TFI cycle. The module will attempt 2 additional TFI's cycles before locking out. The gas valve will be turned off immediately. The combustion blower will be turned off following 45 seconds "post-purge" period.

The module will automatically reset after one hour, if the thermostat is still calling for heat, and attempt a new TFI cycle.

3. FLAME FAILURE—RE-IGNITION

If the established flame signal is lost while the burner is operating, the control will respond within .08 second. The gas valve is de-energized and the control starts a new ignition sequence in an attempt to relight the burner. The ignition attempt will be repeated (3) times. If the burner does not relight, the control will go into lockout as previously described in the “Failure to Light the Burner—Lock Out”. If flame is reestablished, normal operation resumes.

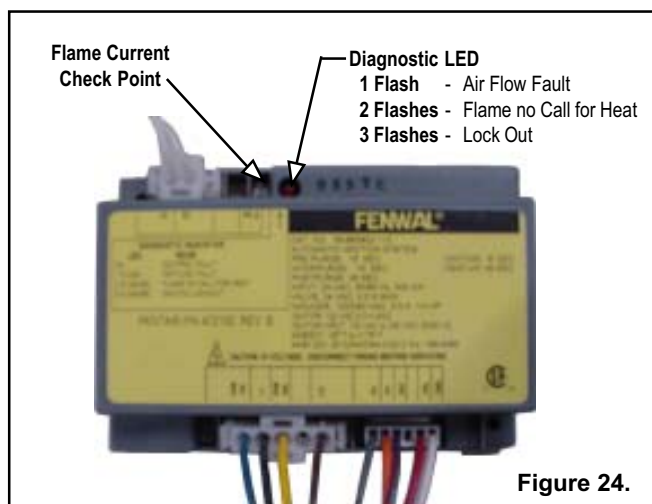


Figure 24.

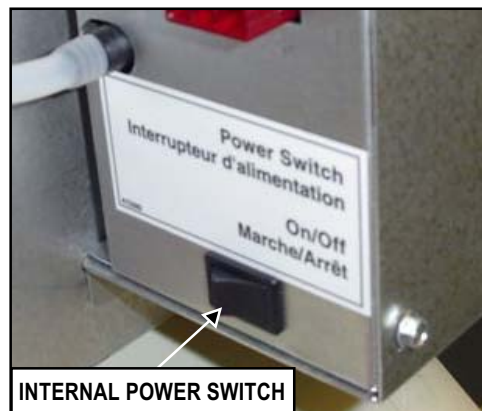


Figure 25.

DIGITAL DISPLAY TEMPERATURE CONTROLLER (DDTC)

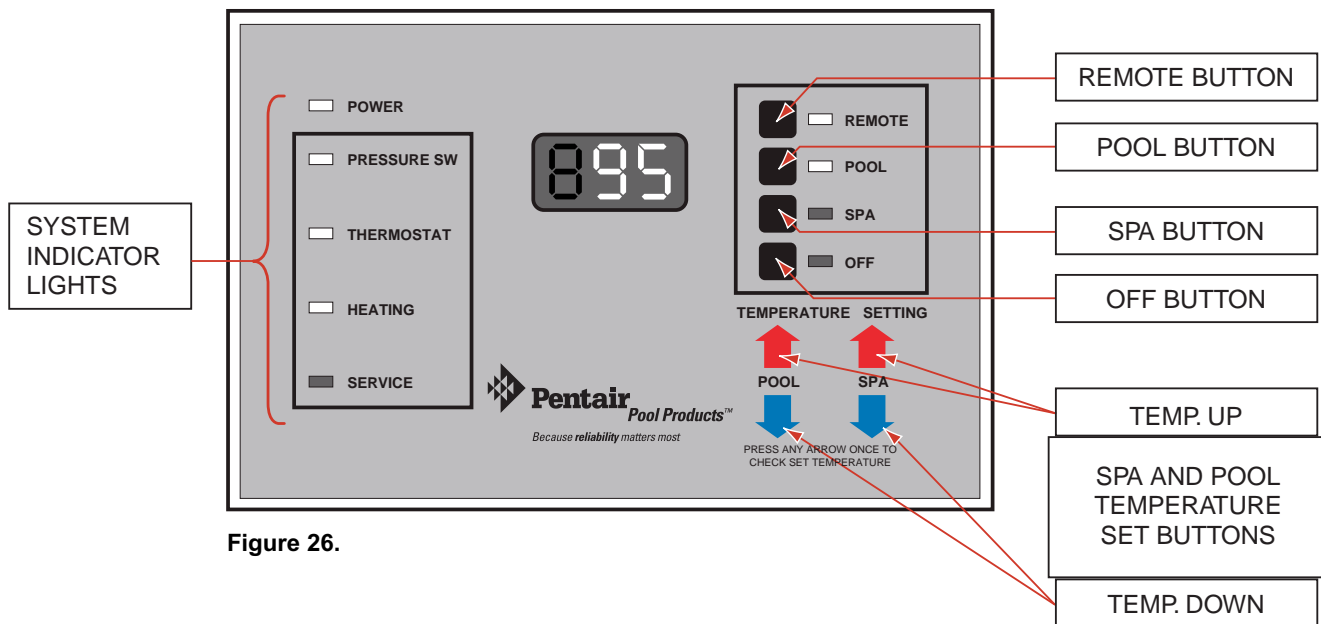


Figure 26.

The DDTC board, shown in Figure 26, is a digital temperature controller capable of controlling the pool, spa or both to a minimum temperature of 65° F. (below 65° F. display reads "Off") and a maximum of 104° F. The DDTC board also functions as a system status indicator, using LED lights and programmed error codes.

During normal operation, the DDTC will display the current temperature of the water returning to the heater, depending on which mode has been selected, "Pool" or "Spa". This is accomplished by a thermister (sensor) on the inlet port of the water header of the heater and working in conjunction with the internal microprocessor controlling the operation of the heater.

Changing the desired pool or spa temperature is easily done by simply depressing the appropriate up or down arrow until the display reads the desired set-point temperature. For example, set pool to 78° F. and the spa to 104° F., when releasing the up or down arrow the display will flash once then return to the current temperature.

At any time, you wish to know the temperature setting of the pool or spa, simply press the appropriate up or down arrow, the display will flash once and display the set-point temperature for three (3) seconds, then flash once again and return to the current temperature.

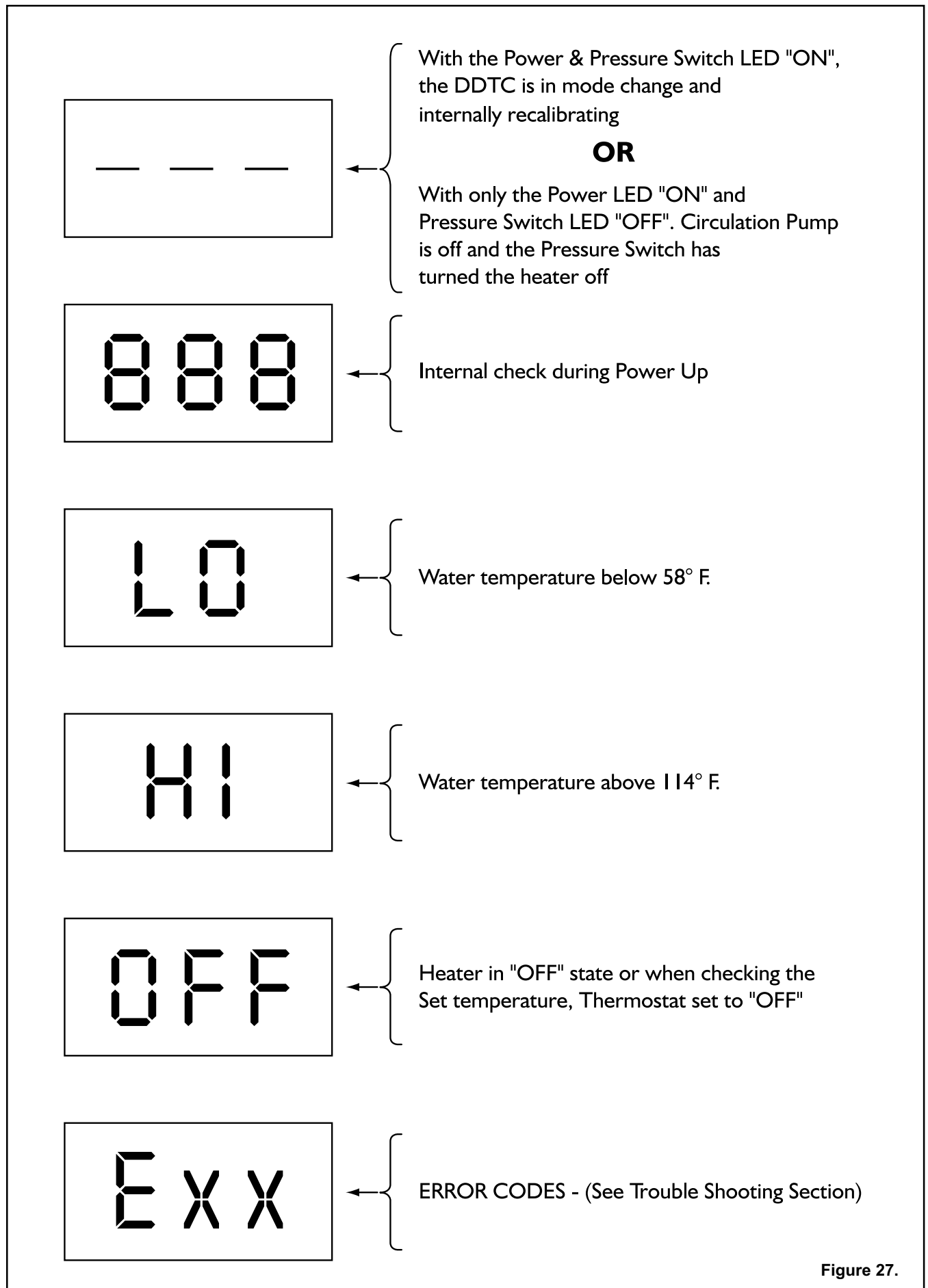


Figure 27.

SET UP

The MiniMax NT Heater comes from the factory preset with a pool temperature setting of 78° F. and a preset spa temperature of 100° F., and in the off mode setting. Once the power is turned on, the DDTC board will do a self diagnostic internal check, during this time the display will first read “888”, then the display will switch to three dashes “- - -”, this process takes approximately ten (10) seconds. The DDTC will then illuminate the “Power” LED and “Off” LED, see Figure 27.

1. Turn on the power to the heater; the switch is on the bottom of the electrical junction box located internally on the right side of the cabinet. The DDTC will now go through the self-diagnostic's test as stated above.
2. Turn on the circulating system pump and make sure that adequate water is being delivered to the heater, The “PRESSURE SW” LED will now illuminate.
3. If you are using the heater with a remote control system, open the right door of the heater to access the rear portion of the DDTC. Locate the three terminals marked “Pool” (J5), “Spa” (J6) and “Com” (J8). If the remote system is a three-wire remote unit, connect the pool lead to the “pool” terminal J5, connect the spa lead to the “spa” J6 terminal and connect the common wire to the “com” terminal J8. If the remote system is a two-wire remote, the remote system will be used to turn the heater on for a selected body of water, Pool or Spa, select which application you are working with and connect one wire to the common terminal J8 and the other wire to either “Pool J5” or “Spa J6”. Close and latch the door.

LED INDICATORS

There are nine lights that can be seen from the front of the control panel, (five are system indicators and four are mode indicators), which helps you understand the operation of the heater, see Figure 26. If something should go wrong, the lights will aid in troubleshooting the problem. An additional four lights can be seen after opening the control panel. These four lights are diagnostic indicators for the service technician to troubleshoot the system.

On the right front of the DDTC board there are four Buttons and corresponding LED lights, see Figure 26. Using the buttons allows you to select one of the four modes and the lights indicate which operational mode that the heater is in, **Off**, **Spa** mode, **Pool** mode or **Remote** mode. If the heater is not connected to a remote system then the remote mode will not be used.

The following are descriptions of the five system indicators:

• POWER

The light is on at all times, in any switch position, indicating 24 VAC power is being supplied to the control circuit. If it fails to light, no other light will be on. Possible causes are:

1. External power to the heater is disconnected; check service panel circuit breaker or fuses;
2. Transformer has failed.

• PRESSURE SW (WATER PRESSURE SWITCH)

This light is on when Spa/Pool Selector switch is on, indicates the circulating pump is running properly. If pressure light fails to light, the pump may have lost its prime or water flow may be restricted by an inadvertently closed valve or clogged filter or pump basket. If you have determined that there is no water flow restriction to the heater, you should call a qualified technician.

• THERMOSTAT

This light is on when the thermostat contacts close, signaled by the water temperature falling below the set-point, calling for the heater to fire to maintain the desired water temperature.

• HEATING

The heating light is on any time the thermostat has signaled a call for heat which initializes the ignition safety circuit — the light comes on indicating successful firing of the main burners and stays on until the pool/spa reach the water temperature setting.

• SERVICE

The service light is off during normal operation of heater. The light only comes on if a problem with a control has occurred or when the heater is first firing. The problem must be investigated by the technician prior to attempts to fire the heater again.

TEMPERATURE SETTING

The heater comes factory set at 78° F. for the pool mode and 100° F. for the spa mode, using the up and down arrows, you can set the thermostats to a minimum temperature of 65° F., or a maximum of 104° F. If you desire to heat only one body of water, the thermostat is capable of an off mode. As an example, if you only wish to heat the spa and not the pool, simply depress and hold the pool down arrow, and the thermostat will lower its setting to 65° F. then go to an off mode. If there is a remote system connected to the heater, please see the special thermostat setting features under Heating Mode Selection & Remote mode.

HEATING MODE SELECTION

1. **Off Mode:** The heater will not come on. **NOTE:** The "Off" display on the Digital Display Temperature Controller does not mean that the heater is off. It only states that the pool or spa thermostat has been turned off.
2. **Spa Mode:** The heater will operate and heat the spa to the desired temperature.
3. **Pool Mode:** The heater will operate and heat the pool to the desired temperature.
4. **Remote Mode:** The DDTC is compatible with two and three wire remote control systems. In order to operate by a remote control system, the REMOTE mode must be selected on the front panel. When the REMOTE mode is selected, the REMOTE LED will light up.

REMOTE CONTROL

THE TWO-WIRE REMOTE CONTROL SYSTEM is typically installed and connected to the heater for spa heating. The two-wire remote system is usually provided with a water temperature sensor that monitors the system temperature and turns the heater on or off in response to the temperature of the spa. To heat a spa, it should be connected to terminals J6 and J8. Pool heating remote control would require connecting to terminals J5 and J8. If the REMOTE mode is set at the front panel LED light, the DDTC will respond to a contact closure by remote system and heater will operate until the remote system temperature setting is satisfied.

NOTE: With this type of two-wire remote, with its own temperature sensors and system control, using the up arrows on the front of the DDTC, hold down the up arrow until you reach the maximum setting of 104° F., this allows the remote system thermostat to operate the heater at any set-point below 104° F., the heater thermostats then act as a secondary controller if water temperature reaches 104° F.

THE THREE-WIRE REMOTE CONTROL SYSTEM will be connected to terminals J5, J6 & J8. J8 is the common terminal. If the heater is in the REMOTE mode, the DDTC will monitor the terminals and respond to a contact closure between J5 & J8 or J6 & J8. A contact closure between J5 & J8 will cause the DDTC to switch to the POOL setting and control the heater to the DDTC pool set-point temperature. A contact closure between J6 & J8 will cause the DDTC to switch to the SPA setting and control the heater to the DDTC spa set-point temperature. If only heating the spa, then depress the pool down arrow until the display goes to "Off".

Troubleshooting Instruction

TROUBLESHOOTING (DDTC)

The DDTC temperature display contains three LED's with a decimal point between the first and second, this display is also used to display an error code if for some reason there is a failure within the heater control system or a DDTC internal fault. The DDTC will display the actual temperature or set-point temperature or OFF, as selected by the user. When DDTC detects an error, the display will show Exx, see Figure 27, where Exx is the error code of DDTC fault, see Table 13. Codes 1 through 9 indicate a "soft lockout" error that means after these errors are fixed, the heater will resume normal operation and restart immediately. Code ERR indicates a "hard lockout" error that means after these errors are fixed, you need to reset the power of the heater through the switch on the bottom of the electrical junction box on the right side of the cabinet.

NOTE: If Code ERR is shown on the LED display at any time, turn the heater off, (from power switch), then turn on the heater again. If the error code is still displayed, call a certified Pentair Service Technician for repair.

Error Code	Error Description
E01	System Low Voltage
E02	High Temperature Limit
E03	Thermal Fuse Open
E04	Fan Failure
E05	Ignition / Flame Failure
E06	Gas Valve / Module Failure
E07, E08, E09	Not Used
ERR	Call Pentair's Technical Service Department at: (800) 831-7133

Table 13.

TROUBLESHOOTING (GENERAL)

<i>Possible Cause</i>	<i>Remedy</i>
Heater will not come on	
Automatic ignition system fails	Check if electrical connections are correct and securely fastened – If YES, call serviceperson.
Pump not running	Place pump in operation
Pump air locked	Check for leaks
Filter dirty	Clean filter
Pump strainer clogged	Clean strainer
Defective wiring or connection	Repair or replace wires
Defective pressure switch	Replace switch
Defective gas controls	Call serviceperson
On-Off switch in "OFF" position	Turn switch to "ON"
Heater Short Cycling (Rapid On and Off Operation)	
Insufficient water flow	Clean filter and pump strainer
Defective wiring	Repair or replace wiring
Defective flow valve or out of adjustment	Call serviceperson
Defective hi-limit and/or thermostat	Call serviceperson
Heater Makes Knocking Noises, make sure all valves on system are open.	
Heater operating after pump has shut off	Shut off gas supply and call serviceperson
Heater exchanger scaled	Shut off gas supply and call serviceperson

SERVICE CHECKS—IGNITION MODULE

Symptom	Cause/Cure
1. Dead	A. Miswired B. Transformer bad C. Fuse/Circuit breaker bad D. Bad control
2. Thermostat on—no ignition	A. Miswired B. Bad thermostat no voltage at terminal
3. Valve on, no ignition	A. Defective ignitor B. Miswired C. Bad control (check voltage at ignitor)
4. Ignitor on, no valve action	A. Valve coil open B. Open valve wire C. Bad control (check voltage)
5. Flame okay during Try For Ignition (TFI), no flame sense (after TFI)	A. Bad flame sensor B. Bad wires C. Poor ground at burner D. Poor flame (check flame current)

Maintenance Instruction

It is recommended that you check the following items at least every six months and at the beginning of every swimming season.

1. Examine the venting system. Make sure there are no obstructions in the flow of combustion and ventilation air.
2. Visually inspect the main burner and the hot surface ignitor. The normal color of the flame is blue. When flame appears yellow, burners should be inspected and cleaned. Check ignitor for damage.
3. Inspect the heat exchanger for soot. Clean as necessary.
4. Remove burner tray and clean burners and main burner orifices.
5. Keep the heater area clean and free from combustibles and flammable liquids.
6. Check wire ends and wire connections. They should be clean and tight.
7. Check the gas pressure (supply and manifold) as described in this manual.

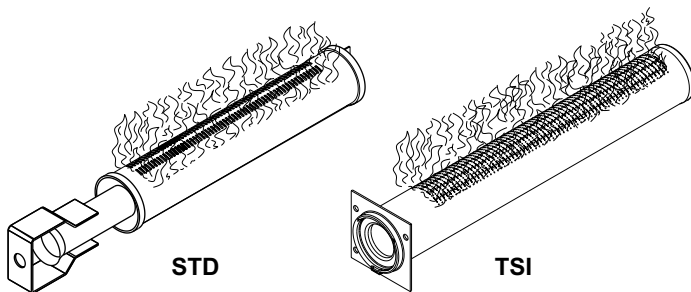


Figure 28.

ENERGY SAVING TIPS

1. If possible, keep pool or spa covered when not in use. This will not only cut heating costs, but also keep dirt and debris from settling in the pool and conserve chemicals.
2. Reduce the pool thermostat setting to 78° F. or lower. This is accepted as being the most healthy temperature for swimming by the American Red Cross.
3. Use an accurate thermometer.
4. When the proper maximum thermostat settings have been determined, tighten the thermostat knob stopper.

CAUTION

REMOVE THE FLOW VALVE ASSEMBLY WHEN DRILLING THE HOLE TO INSTALL A PRV, OTHERWISE, YOU WILL DRILL INTO THE VALVE ASSEMBLY.

PRESSURE RELIEF VALVE

In some installations, a pressure relief valve (PRV) is required on the MiniMax NT Series. To install a PRV, remove the access

doors, remove Flow Valve assembly, then carefully drill a 3/8 in. hole in center of 3/4 in. NPT port (on main header) being careful to drill *only* through wall at bottom of 3/4 in. NPT port and no deeper—now thread in the 3/4 in. NPT PRV.

NOTE: (A.S.M.E. version varies slightly. It is of bronze construction, and is supplied with the A.S.M.E. Section IV, pressure relief valve pre-installed at factory.)

Test the relief valve at least once a year by lifting up lever.

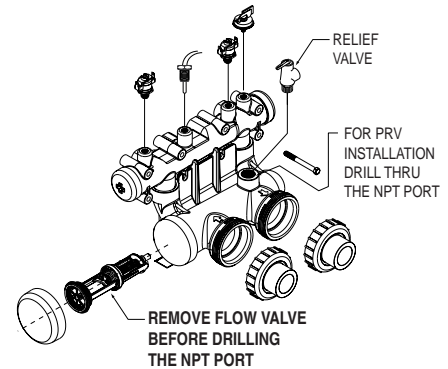
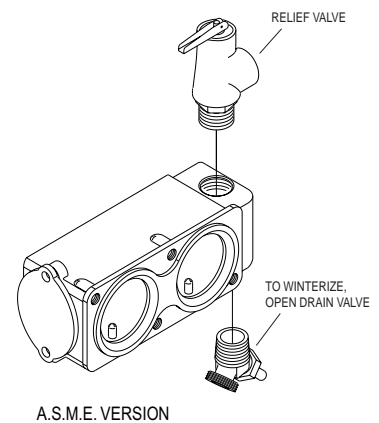


Figure 29.



5. Set time clock to start circulation system no earlier than daybreak. The swimming pool loses less heat at this time.
6. For pools that are only used on the weekends, it is not necessary to leave the thermostat set at 78° F. Lower the temperature to a range that can be achieved easily in one day. Generally, this would be 10° F. to 15° F., if pool heater is sized properly.
7. During the winter or while on vacation, turn the heater off.
8. Set up a regular program of preventative maintenance for the heater each new swimming season. Check heat exchanger, controls, burners, operation, etc.

SPRING AND FALL OPERATION

If the pool is being used occasionally, do not turn the heater completely off. Set the thermostat down to 65° F. This will keep the pool and the surrounding ground warm enough to bring the pool up to a comfortable swimming temperature in a shorter period of time.

WINTER OPERATION

⚠ CAUTION

- Operating this heater continuously at water temperatures below 68° F. will cause harmful condensation and will damage the heater and void the warranty.
- If the heater has been drained for freezing condition, do NOT turn "ON" until the system is circulating water.
- Water trapped in the heat exchanger can result in freeze damage to the exchanger or headers. Freeze damage is specifically not covered by the warranty.

If the pool won't be used for a month or more, turn the heater off at the main gas valve. For areas where there is no danger of water freezing, water should circulate through the heater all year long, even though you are not heating your swimming pool. **The MiniMax NT should not be operated outdoors at temperatures below 0° F. for propane and -20° F. for natural gas.** Where freezing is possible, it is necessary to drain the water from the heater. This may be done by opening the drain valve, located at the inlet/outlet header, (see [Figure 29.](#)), allowing all water to drain out of the heater. It would be a good practice to use compressed air to blow the water out of the heat exchanger. (*See additional notes under Important Notices in Introduction.*)

CHEMICAL BALANCE

POOL AND SPA WATER

Your Pentair Pool Products pool heater was designed specifically for your spa or pool and will give you many years of trouble-free service, provided you keep your water chemistry in proper condition.

Three major items that can cause problems with your pool heater are: improper pH, disinfectant residual, and total alkalinity. These items, if not kept properly balanced, can shorten the life of the heater and cause permanent damage.

CAUTION

Heat exchanger damage resulting from chemical imbalance is not covered by the warranty.

WHAT A DISINFECTANT DOES

Two pool guests you do not want are algae and bacteria. To get rid of them and make pool water sanitary for swimming - as well as to improve the water's taste, odor and clarity - some sort of disinfectant must be used.

Chlorine and bromine are universally approved by health authorities and are accepted disinfecting agents for bacteria control.

WHAT IS A DISINFECTANT RESIDUAL?

When you add chlorine or bromine to the pool water, a portion of the disinfectant will be consumed in the process of destroying bacteria, algae and other oxidizable materials. The disinfectant remaining is called chlorine residual or bromine residual. You can determine the disinfectant residual of your pool water with a reliable test kit, available from your local pool supply store.

You must maintain a disinfectant residual level adequate enough to assure a continuous kill of bacteria or virus introduced into pool water by swimmers, through the air, from dust, rain or other sources.

It is wise to test pool water regularly. Never allow chlorine residual to drop below 0.6 ppm (parts per million). The minimum level for effective chlorine or bromine residual is 1.4 ppm.

pH - The term pH refers to the acid/alkaline balance of water expressed on a numerical scale from 0 to 14. A test kit for measuring pH balance of your pool water is available from your local pool supply store; see Table 14.

Table 14. pH Chart

Strongly Acid			Neutral					Strongly Alkaline						
0	1	2	3	4	5	6	7	8	9	10	11	12	13	14

Muriatic Acid has a pH of about 0. Pure water is 7 (neutral). Weak Lye solution have a pH of 13-14.

RULE: 7.4 to 7.6 is a desirable pH range. It is essential to maintain correct pH, see Table 15.

If pH becomes too high (over alkaline), it has these effects:

1. Greatly lowers the ability of chlorine to destroy bacteria and algae.
2. Water becomes cloudy.
3. There is more danger of scale formation on the plaster or in the heat exchanger tubing.
4. Filter elements may become blocked.

If pH is too low (over acid) the following conditions may occur:

1. Excessive eye burn or skin irritation.
2. Etching of the plaster.
3. Corrosion of metal fixtures in the filtration and recirculation system, which may create brown, blue, green, or sometimes almost black stains on the plaster.
4. Corrosion of copper tubes in the heater, which may cause leaks.
5. If you have a sand and gravel filter, the alum used as a filter aid may dissolve and pass through the filter.

CAUTION: Do not test for pH when the chlorine residual is 3.0 ppm or higher, or bromine residual is 6.0 ppm or higher. See your local pool supply store for help in properly balancing your water chemistry.

RULE: Chemicals that are acid lower pH. Chemicals that are alkaline raise pH.

Table 15. pH Control Chart

6.8	7.0	7.2	7.4	7.6	7.8	8.0	8.2	8.4
Add Soda, Ash or Sodium Bicarbonate		Marginal	Ideal	Marginal	Add Acid			

ALKALINITY High or Low:

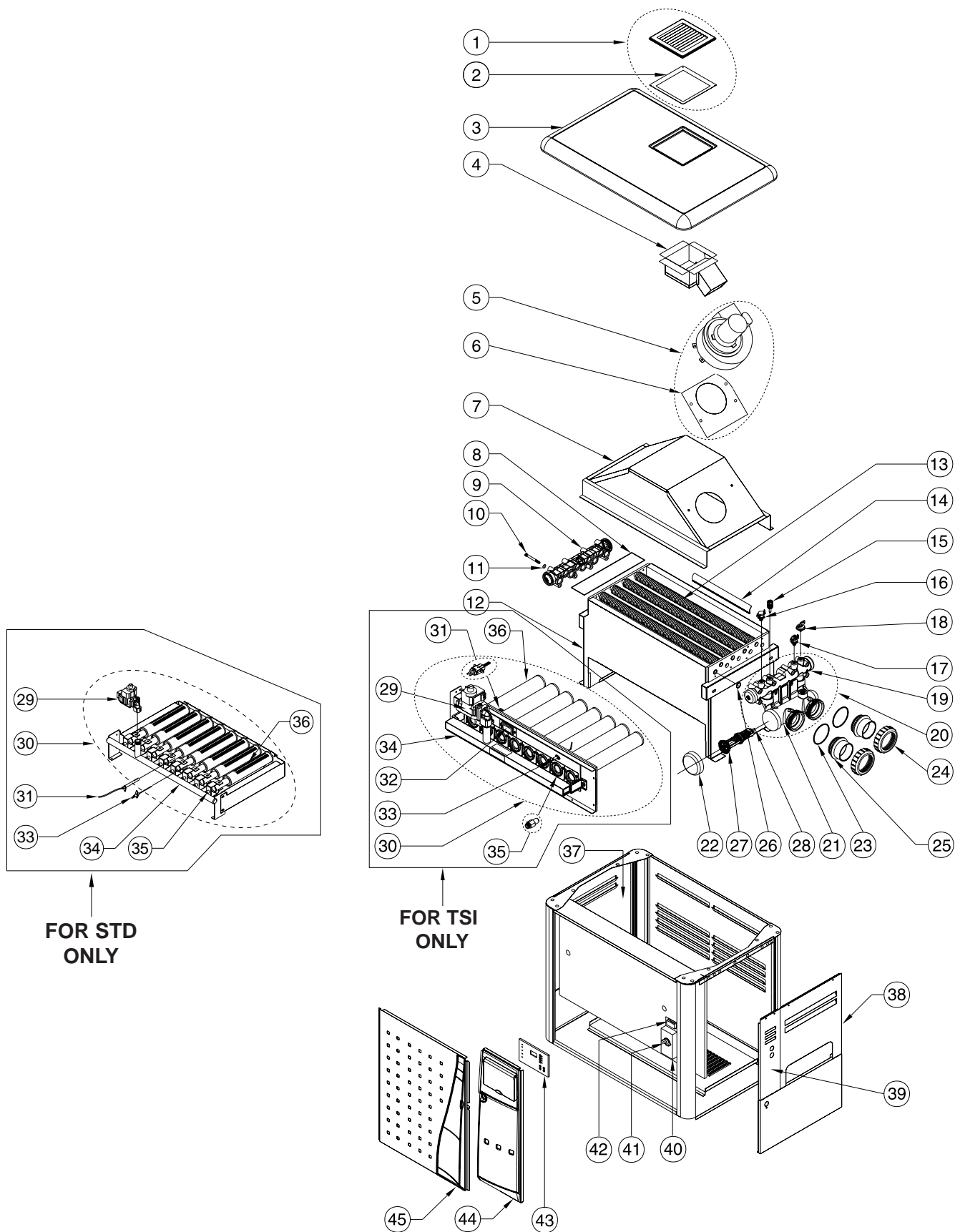
"Total alkalinity" is a measurement of the total amount of alkaline chemicals in the water, and control pH to a great degree. (It is not the same as pH which refers merely to the relative alkalinity/acidity balance.) Your pool water's total alkalinity should be 100 - 140 ppm to permit easier pH control.

A total alkalinity test is simple to perform with a reliable test kit. You will need to test about once a week and make proper adjustments until alkalinity is in the proper range. Then, test only once every month or so to be sure it is being maintained. See your local pool dealer for help in properly balancing the water chemistry.

REPLACEMENT PARTS

NT STD w/DDTC — (all Models)

NT TSI w/DDTC — (200, 250, and 300 Models)



Replacement Parts—NT STD						
Item	Description	Quantity	200	250	300	400
1	Exhaust Grill w/Gasket	1	472352			
2	Gasket, Exhaust Grill	1	471701			
3	Top Cover w/Posts	1	472353	472354	472355	472356
4	Exhaust Assembly	1	472373	472376	472373	
5	Blower w/Gasket	1	472361	472362		472374
6	Gasket, Blower	1	471610			
7	Flue Collector	1	472008	472007	472006	472005
8	Insulation, Header/Hi-Limit	1	472270			
9	Return Header Assembly	1	471991			
10	Bolt, Heat Exchanger	16	471622			
11	Washer, Heat Exchanger	16	072184			
12	Fire Box Assembly	1	471904	471835	471922	472332
13	Heat Exchanger w/Headers	1	471910	471785	471928	471838
	Heat Exchanger w/o Headers	1	471933	471934	471935	471936
14	Baffle, Heat Exchanger	8 / 16 (200, 250, 300 / 400)	471642	471641	471896	471640
15	Thermistor Probe	1	471566			
16	Hi-Limit Thermostat - 115° F.	1	471587			
17	Hi-Limit Thermostat - 150° F.	1	471694			
18	Water Pressure Switch	1	472125			
19	In/Out Top Sub-Header Assembly	1	472363			
20	In/Out Main Header Assembly	1	471992			
21	In/Out Bottom Sub-Header	1	472364			
22	Cap, In/Out Bottom Sub-Header	1	471420			
23	O-Ring, Adapter	2	274494			
24	Adapter, Bulkhead Ring	2	274440			
25	Adapter, Bulkhead, 2"	2	471441			
26	Gasket, Fin Tube, Seal	18	070951			
27	Flow Valve Assembly	1	471750			
28	Power Element, Flow Valve	1	472330			
29	Gas Valve - Natural Gas	1	471601			
	Gas Valve - Propane		471671			
30	Burner Tray Assembly, Natural Gas	1	472042	472037	472033	472028
	Burner Tray Assembly, Propane		471907	471913	471925	471931
31	Igniter	1	471602			
32						
33	Flame Sensor	1	471603			
34	Gas Manifold w/Orifices, Natural, 0-2000'	1	472023	472022	472021	472020
	Gas Manifold w/Orifices, Propane, 0-2000'		472027	472026	472025	472024
35	Orifices, Natural, 0-2000'	4 / 5 / 6 / 8	073727			
	Orifices, Propane, 0-2000'	(200 / 250 / 300 / 400)	073728			
36	Burner	2 / 3 / 4 / 6 (200 / 250 / 300 / 400)	070230			
	Burner w/Bracket	2	471970			
37	Jacket, Upper Panel, Left	1	471575			
38	Jacket, Upper Panel, Right	1	471576			
39	Jacket, Upper Sub-Plate	2	471767			
40	Junction Box Assembly	1	472505			
41	Air Pressure Switch, 0-2000'	1	472178	472180	472181	472183
42	Module, Ignition Control	1	472447			
43	Temperature Controller Assembly	1	472100			
44	Right Door Assembly with Controller	1	471727			
	Right Door Assembly w/o Controller	1	472372			
45	Left Door Assembly	1	471900	472318	471918	471726
NA	Thermal Cut-off (Not Shown)	1	075173			
NA	Transformer, 40 VA (Not Shown)	1	471571			
NA	Wire Harness Assembly (Not Shown)	1	472506			
NA	Indoor Vent Adaptor (See pg.16)	1	460506 (4") / 460507 (5")			

Note: Parts for ASME and high altitude (above 2000') are not listed above, please contact our Customer Service Department for details.

Replacement Parts—NT TSI

Item	Description	Quantity	200	250	300	400 ★
1	Exhaust Grill w/Gasket	1	472352			
2	Gasket, Exhaust Grill	1	471701			
3	Top Cover w/Posts	1	472353	472354	472355	472356
4	Exhaust Assembly	1	472357	472358	472359	472358
5	Blower w/Gasket	1	472361		472362	
6	Gasket, Blower	1	471610			
7	Flue Collector	1	472008	472007	472006	472005
8	Insulation, Header/Hi-Limit	1	472270			
9	Return Header Assembly	1	471991			
10	Bolt, Heat Exchanger	16	471622			
11	Washer, Heat Exchanger	16	072184			
12	Fire Box Assembly	1	471904	471835	471922	472332
13	Heat Exchanger w/Headers	1	471910	471785	471928	471838
	Heat Exchanger w/o Headers	1	471933	471934	471935	471936
14	Baffle, Heat Exchanger	8 / 16 (200, 250, 300 / 400)	471642	471641	471896	471640
15	Thermistor Probe	1	471566			
16	Hi-Limit Thermostat - 115° F.	1	471587			
17	Hi-Limit Thermostat - 150° F.	1	471694			
18	Water Pressure Switch	1	472125			
19	In/Out Top Sub-Header Assembly	1	472363			
20	In/Out Main Header Assembly	1	471992			
21	In/Out Bottom Sub-Header	1	472364			
22	Cap, In/Out Bottom Sub-Header	1	471420			
23	O-Ring, Adapter	2	274494			
24	Adapter, Bulkhead Ring	2	274440			
25	Adapter, Bulkhead, 2"	2	471441			
26	Gasket, Fin Tube, Seal	18	070951			
27	Flow Valve Assembly	1	471750			
28	Power Element, Flow Valve	1	472330			
29	Gas Valve - Natural Gas	1	472430			
30	Burner Tray Assembly	1	472366	472367	472368	472369
31	Igniter	1	472216			
32	Window Glass w/Holder	1	472370			
33	Flame Sensor	1	471603			
34	Gas Manifold w/Orifices, 0-4000'	1	472285	472286	472287	472288
35	Gas Orifices, 0-4000'	4 / 5 / 6 / 8 (200 / 250 / 300 / 400)	472263			
36	Burner	4 / 5 / 6 / 8 (200 / 250 / 300 / 400)	472211			
37	Jacket, Upper Panel, Left	1	471575			
38	Jacket, Upper Panel, Right	1	471576			
39	Jacket, Upper Sub-Plate	2	471767			
40	Junction Box Assembly	1	472505			
41	Air Pressure Switch, 0-4000'	1	472178	472179	472182	
42	Module, Ignition Control	1	472150			
43	Temperature Controller Assembly	1	472100			
44	Right Door Assembly with Controller	1	472087			
	Right Door Assembly w/o Controller	1	472097			
45	Left Door Assembly	1	471900	472318	471918	471726
NA	Thermal Cut-off (Not Shown)	1	075173			
NA	Transformer, 40 VA (Not Shown)	1	471571			
NA	Wire Harness Assembly (Not Shown)	1	472506			
NA	Indoor Vent Adaptor (See pg.16)	1	460506 (4") / 460507 (5")			

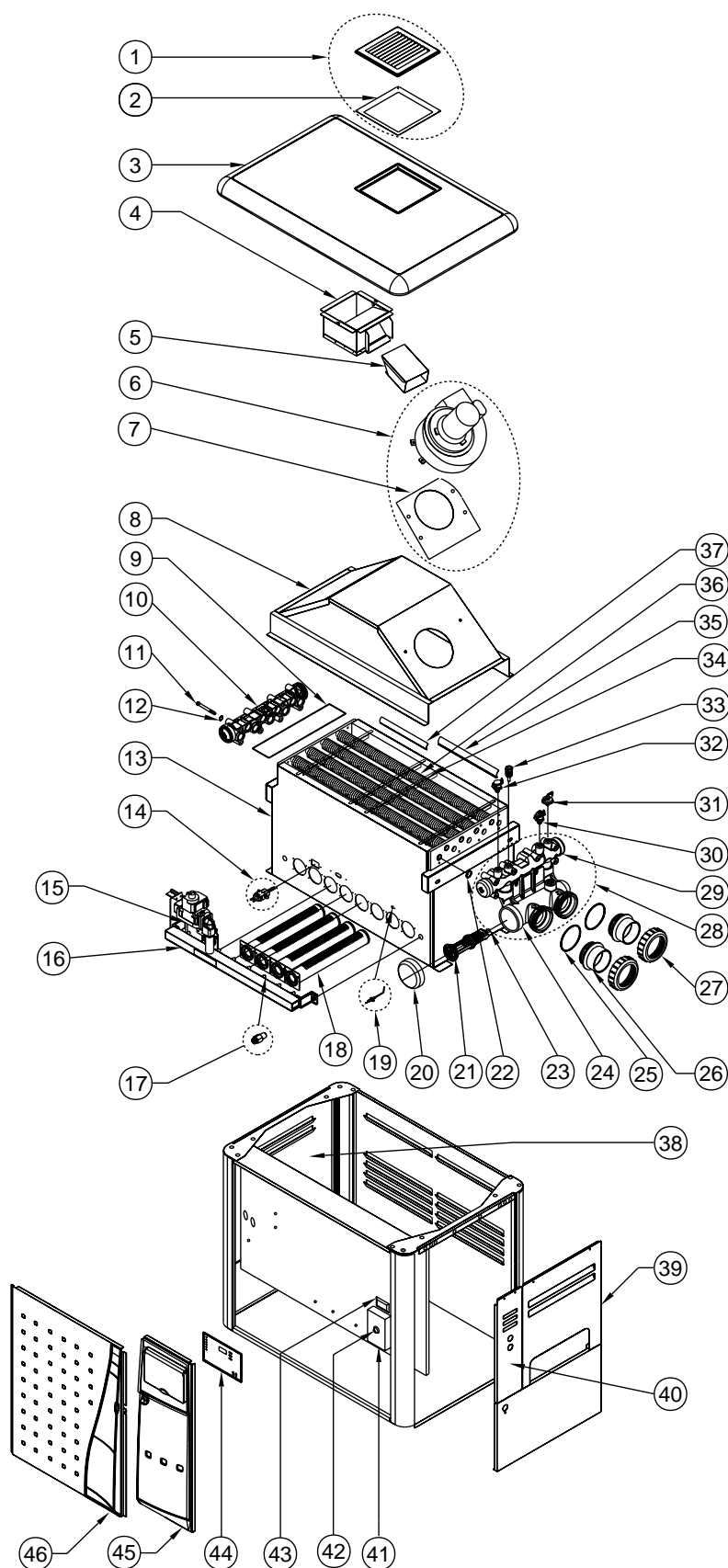
★

Replacement Parts for the 400 Model Series are for models manufactured prior to product Serial No. 12040039

Note: Parts for ASME and high altitude (above 4000') are not listed above, please contact our Customer Service Department for details.

REPLACEMENT PARTS

NT TSI w/DDTC — (400 Model — Starting w/Serial No. 12040039)



Replacement Parts — NT TSI — (400 Models)			
<i>Starting with Serial Number 12040039</i>			
Item	Description	Qty	Part No.
1	Exhaust Grill w/Gasket	1	472352
2	Gasket, Exhaust Grill	1	471701
3	Top Cover w/Posts	1	472356
4	Exhaust Assembly	1	472144
5	Exhaust Duct	1	472259
6	Blower w/Gasket	1	472480
7	Gasket, Blower	1	471610
8	Flue Collector	1	472005
9	Insulation, Header/Hi-Limit	1	472270
10	Return Header Assembly	1	471991
11	Bolt, Heat Exchanger	16	471622
12	Washer, Heat Exchanger	16	072184
13	Fire Box Assembly	1	472476
14	Igniter	1	472477
15	Gas Valve – Natural Gas	1	472430
16	Gas Manifold w/Orifices, 0-4000'	1	472262
17	Gas Orifice, 0-4000'	8	472434
18	Burner	8	472211
19	Flame Sensor	1	472251
20	Cap, In/Out Bottom Sub-Header	1	471420
21	Flow Valve Assembly	1	471750
22	Gasket, Fin Tube, Seal	18	070951
23	Power Element, Flow Valve	1	472330
24	In/Out Bottom Sub-Header	1	472364
25	O-Ring, Adapter	2	274494
26	Adapter, Bulkhead, 2"	2	471441
27	Adapter, Bulkhead Ring	2	274440
28	In/Out Main Header Assy	1	471992
29	In/Out Top Sub-Header Assembly	1	472363
30	Hi-Limit Switch, Water Temperature, 150° F.	1	471694
31	Water Pressure Switch	1	472125
32	Hi-Limit Switch, Water Temperature, 115° F.	1	471587
33	Thermister Probe	1	471566
34	Bracket, Baffle Hold-down	4	472329
35	Baffle, Heat Exchanger	16	472301
36	Heat Exchanger w/Headers	1	471838
	Heat Exchanger w/o Headers	1	471936
37	Side Baffle, Heat Exchanger	4	472303
38	Jacket, Upper, Left	1	471575
39	Jacket, Upper Panel, Right	1	471576
40	Jacket, Upper Sub-Plate	2	471767
41	Junction Box Assembly	1	472505
42	Air Pressure Switch, 0-4000' (Not Shown)	1	472481
43	Module, Ignition Control (Not Shown)	1	472150
44	DDTC, Temperature Control Assembly	1	472100
45	Right Door Assembly, with Controller	1	472087
	Right Door Assembly, w/o Controller	1	472372
46	Left Door Assembly	1	471726
N/A	Thermal Cut-off (Not Shown)	1	075173
N/A	Transformer, 40 VA (Not Shown)	1	471571
N/A	Wire Harness Assembly (Not Shown)	1	472506
N/A	Indoor Vent Adaptor, 5" (See pg. 16)	1	460507

Note: Parts for ASME and high altitude (above 4000') are not listed above, please contact our Customer Service Department for details.

NOTES

SAVE THESE INSTRUCTIONS

Pentair Water Pool and Spa, Inc.

1620 Hawkins Ave., Sanford, NC 27330 • (919) 566-8000

10951 W. Los Angeles Ave., Moorpark, CA 93021 • (805) 523-2400



*Because **reliability** matters most*

Chauffe-eau pour piscine et spa MiniMax NT®

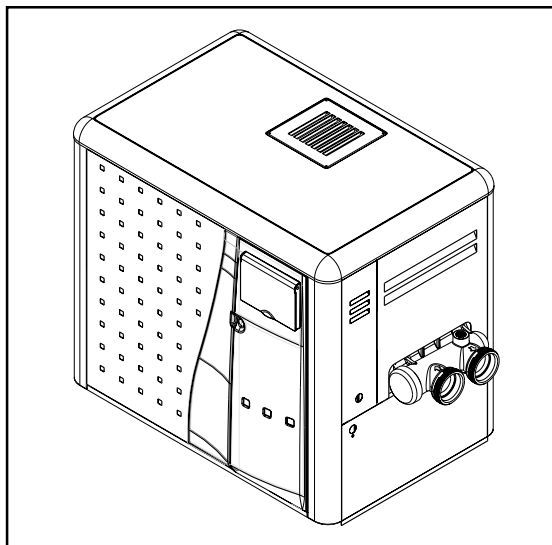
GUIDE D'INSTALLATION ET DE FONCTIONNEMENT



Pentair
Pool Products®

Parce que la **fiabilité**, c'est le plus important

Numéros de brevets américains
6,295,980
5,318,007 - 5,228,618
5,201,307 - 4,595,825



Au
consommateur :
Veuillez
conserver ce
guide à titre de
référence.

▲ MISE EN GARDE

POUR VOTRE SÉCURITÉ, VEUILLEZ LIRE CE GUIDE AVANT DE FAIRE FONCTIONNER L'APPAREIL

- Si les instructions ne sont pas suivies à la lettre, il peut s'ensuivre un incendie ou une explosion causant des dommages matériels, des blessures ou la mort.
- Toute installation, ajustement, modification ou entretien inadéquat peut entraîner des dommages matériels, des blessures ou la mort. L'installation et l'entretien doivent être effectués par un technicien qualifié provenant d'un service d'entretien ou du fournisseur de gaz.
- Ne pas entreposer ni utiliser d'essence ou autres gaz ou liquides inflammables à proximité de ce chauffe-eau ou tout autre appareil.

QUE FAIRE EN CAS DE FUITE DE GAZ

- Ne tenter d'allumer aucun appareil.
- Ne toucher aucun interrupteur électrique; n'utiliser aucun téléphone à l'intérieur du bâtiment.
- Appeler immédiatement votre fournisseur de gaz en utilisant le téléphone d'un voisin. Suivre les instructions du fournisseur de gaz.
- Si vous ne pouvez communiquer avec votre fournisseur de gaz, appeler les pompiers.

Pour des copies supplémentaires gratuites de ce guide, veuillez appeler au (800) 831-7133.

Pentair Water Pool and Spa, Inc.

1620 Hawkins Ave., Sanford, NC 27330 • (919) 566-8000
10951 W. Los Angeles Ave., Moorpark, CA 93021 • (805) 523-2400

Service Clients

Si vous avez des questions liées aux pièces de rechange, et aux produits de piscine de Pentair Water Pool and Spa Products, veuillez utiliser les coordonnées suivantes.

Service Clients (8h00 à 17h00 heure normale du Pacifique)

Téléphone: (800) 831-7133 (appuyez sur la touche trois de la messagerie)

Télécopie: (800) 284-4151

Support Technique pour Pentair Water Pool and Spa, Inc.

Sanford, Caroline du Nord (8h00 à 17h00 heure normale de l'Est)

Téléphone: (919) 566-8000

Télécopie: (919) 566-8920

Moorpark, Californie (8h00 à 17h00 heure normale du Pacifique)

Téléphone: (805) 523-2400 (Ext. 6502)

Télécopie: (805) 530-0194

Site web

visitez www.pentairpool.com pour trouver des renseignements concernant Pentair Water Pool and Spa, Inc.
[la compagnie de Piscine et de Spa d'Eau Pentair]

© 2005 Pentair Water Pool and Spa, Inc.

1620 Hawkins Ave., Sanford, NC 27330 • (919) 556-8000

10951 West Los Angeles Ave., Moorpark, CA 93021 • (805) 523-2400

Tous droits réservés. Les renseignements se trouvant dans ce document sont assujettis à des changements sans préavis.

Marque de commerce et Avis de non responsabilité. MiniMax NT et le logo Pentair Pool Products sont des marques de commerce enregistrées de Pentair Water Pool and Spa, Inc. D'autres marques de commerce et noms de marque peuvent être utilisés dans ce document pour se référer soit aux personnes morales utilisant les marques et noms ou à leurs produits. Pentair Water Pool and Spa, Inc. se décharge de toute marque de commerce ou de nom de marque ne lui appartenant pas.

Table des matières

Section I. Identification du chauffe-eau	44
Section II. Introduction	45
Consignes importantes	45
Information sur la garantie	45
Conformité aux codes	46
Information et recommandations à l'intention du consommateur	46
Section III. Installation	47
Spécifications	47
Raccordement de la plomberie	48
Soupapes	48
Dérivation manuelle	48
Installation au-dessous de la surface de l'eau	48
Raccordements des conduites d'eau	49-50
Raccordement des conduites de gaz	51
Collecteurs de sédiment	51
Dimension des tuyaux de gaz	52
Vérification de la pression de gaz/Exigences en matière de pression de gaz	53
Ventilation intérieure - Exigences	54
Installations intérieures (É-U) et extérieures (Canada)	55
Admission d'air pour combustion	56
Adaptateurs d'aération	56
Installation intérieure - Recommandations pour la ventilation	57
Installation extérieure - Recommandations pour la ventilation	58
Ensemble de ventilation pour l'extérieur	58
Raccordements électriques	59
Schéma de câblage - NT STD et TSI avec thermostat à affichage numérique	60
Section IV. Fonctionnement Général	61
Fonctionnement de base du système	61
Allumage à surface chaude/ Fonctionnement	61
Commandes de sécurité	62-63
Thermostat à affichage numérique	64-67
Section V. Dépannage	68
Dépannage (Thermostat)	68
Dépannage (Général)	69
Vérifications - Module d'allumage	69
Section VI. Entretien	70
Consignes pour l'entretien	70
Soupape de surpression	70
Conseil pour économiser de l'énergie	70
Utilisation au printemps, à l'automne et à l'hiver	71
L'équilibre chimique de l'eau	72
Pièces de remplacement - NT STD et TSI avec Thermostat à affichage numérique	73-77

INFORMATION POUR L'IDENTIFICATION DU CHAUFFE-EAU

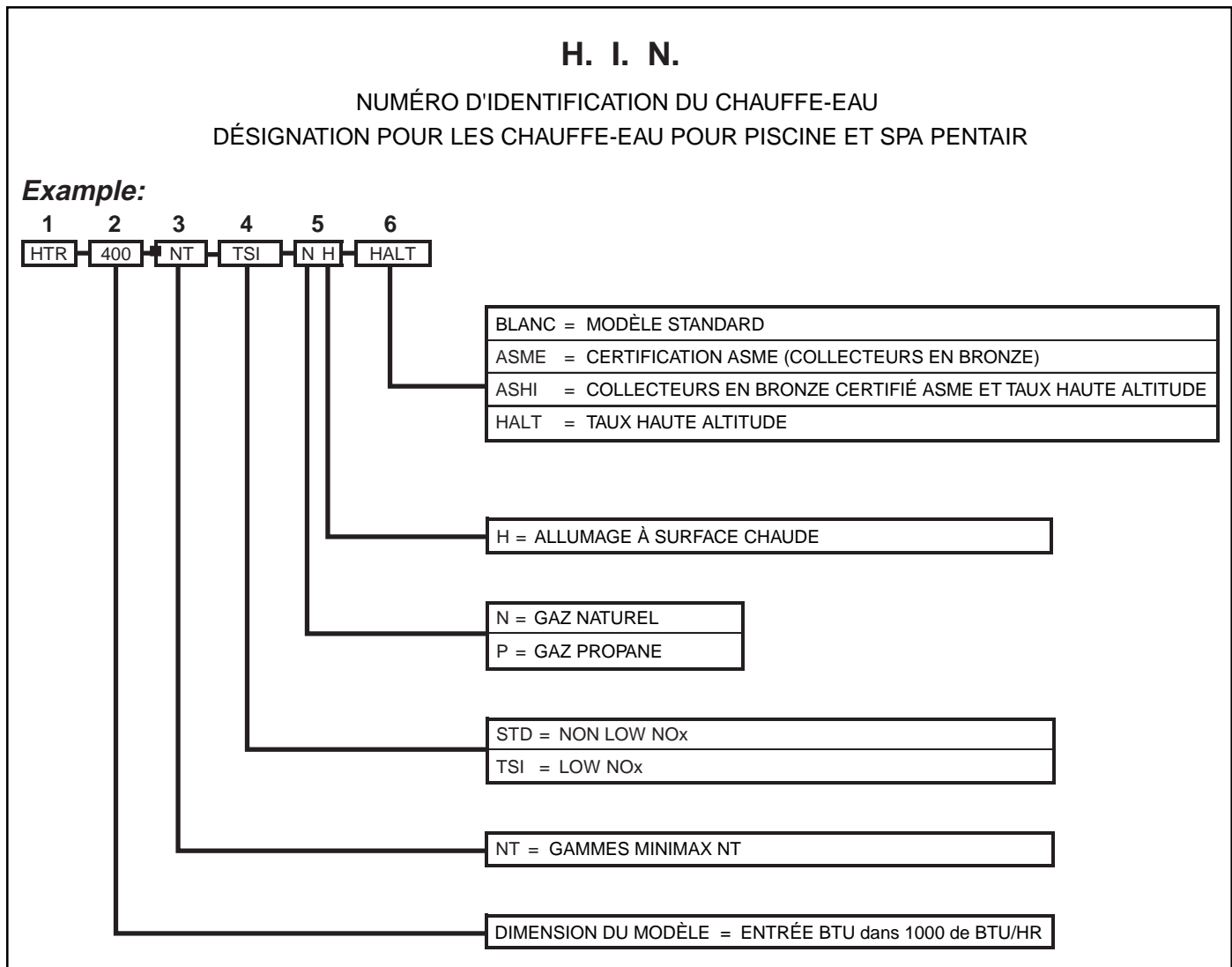
Pour identifier le chauffe-eau, voir la plaque signalétique à l'intérieur du panneau avant de l'appareil. Il y a deux codes indicateurs pour chaque chauffe-eau, le numéro de modèle et le numéro d'identification (HIN).

a. Numéro d'identification du chauffe-eau (HIN)

L'exemple suivant explique le système d'identification :

- 1) **HTR** : Chauffe-eau
- 2) **(200, 250, 300 ou 400)** : Entrée nominale (Btu/hr) X 1000
- 3) **NT** : Gamme MiniMax NT
- 4) **STD ou TSI** : Spécification de la gamme
- 5) **NH ou GP** : Type de gaz (Gaz Naturel ou Gaz Propane) et système d'allumage (Allumage à Surface Chaude)
- 6) Options :
 - BLANC**: Modèle standard
 - ASME**: Certification ASME (Collecteurs en bronze)
 - ASHI**: Collecteurs en bronze Certifié ASME et Taux haute altitude
 - HALT**: Taux haute altitude

INFORMATION POUR L'IDENTIFICATION DU CHAUFFE-EAU



Introduction

MiniMax[®] NT

Chauffes-eau pour piscine et spa

Félicitations pour l'acquisition de votre système de chauffage haute performance MiniMax NT. Vous pourrez profiter de votre nouveau système de chauffage pendant des années si vous suivez bien les consignes d'installation et d'utilisation, ainsi que les consignes d'entretien et d'équilibre chimique de l'eau.

Le MiniMax NT est un chauffe-eau haute performance pour piscines et spa compact, léger, efficace, à induction d'air, et fonctionnant au gaz, qui peut être directement relié à la canalisation 40 PVC. Le MiniMax NT est également équipé du régulateur de température multifonctions Pentair qui montre en un coup d'œil, le bon fonctionnement du chauffe-eau. Tous les chauffe-eau MiniMax NT sont conçus avec un module d'allumage à étincelle directe, HSI (allumage à surface chaude), qui supprime le besoin d'une veilleuse permanente. Le MiniMax NT requiert une source de courant externe pour fonctionner (120/240 V CA 60 Hz).

Ce guide contient toute l'information nécessaire pour l'installation, le fonctionnement, et l'entretien du chauffe-eau haute performance MiniMax NT. L'information contenue dans ce guide s'applique à tous les modèles de la gamme MiniMax NT. Il est très important que le propriétaire/l'installateur prenne connaissance des notices d'installation et des codes locaux et provinciaux avant de procéder à l'installation du MiniMax NT. Il est démontré que la plupart des dommages des chauffe-eau sont causés par des installations inadéquates.

CONSIGNES IMPORTANTES

...A l'attention de l'installateur et de l'opérateur du chauffe-eau pour piscine et spa MiniMax NT. La garantie du fabricant peut être annulée si pour quelque raison que ce soit, le chauffe-eau n'est pas installé ou utilisé comme il se doit. Prenez soin de suivre les instructions décrites ci-après dans ce manuel. Pour tout autre information, ou question relative à ce chauffe-eau, veuillez contacter Pentair Pool Products au (800) 831-7133.

GARANTIE

Le chauffe-eau pour piscine MiniMax NT est couvert par une garantie limitée. Les détails sont décrits sur la carte d'enregistrement de garantie qui est incluse avec le produit. Veuillez retourner la carte d'enregistrement de garantie dûment remplie avec le numéro de série que vous trouverez sur la plaque signalétique du chauffe-eau.

Le niveau d'excellence des produits Pentair Pool inclut une politique d'amélioration continue du produit, qui vous permet d'avoir ce chauffe-eau dernier cri. Nous nous réservons le droit de faire des améliorations à même de modifier les caractéristiques du chauffe-eau sans que cela nous oblige à mettre à jour votre équipement actuel.

Ces chauffe-eau sont conçus pour le chauffage de piscines et de spa et ne doivent en aucun cas être utilisés comme chaudière, chauffe-eau domestique, sur des installations mobiles, ou pour le chauffage de l'eau salée. La garantie du fabricant peut être annulée si pour quelque raison que ce soit, le chauffe-eau n'est pas installé ou utilisé comme il se doit. Prenez soin de suivre les instructions décrites ci-après dans ce manuel.

ATTENTION !

FAIRE FONCTIONNER CE CHAUFFE-EAU, DE FAÇON CONTINUE, À DES TEMPÉRATURES DE L'EAU INFÉRIEURE À 68 °F, PEUT ENTRAÎNER DES PROBLÈMES LIÉS À LA CONDENSATION ET ENDOMMAGER LE CHAUFFE-EAU, CE QUI POURRAIT ENTRAÎNER L'ANNULATION DE LA GARANTIE. N'utilisez pas ce chauffe-eau pour protéger les piscines ou spa du gel si la température finale désirée est inférieure à 68 °F (20 °C), car ceci pourrait entraîner des problèmes liés à la condensation.

CONFORMITÉ AUX CODES

L'installation doit être conforme aux codes locaux, ou, en leurs absences, au *National Fuel Gas Code*, *ANSI Z 223.1/NFPA 54* et/ou *CSA B149.1, Natural Gas and Propane Installations Codes*. Le chauffe-eau, une fois installé, doit être raccordé à une prise de terre et fixé selon les codes locaux, ou en l'absence de ces codes, aux États-Unis, avec le *National Electrical Code*, *ANSI/NFPA 7* ; au Canada, avec le *Code canadien d'électricité*, *CSA C 22.1*.



INFORMATION ET RECOMMANDATIONS À L'INTENTION DU CONSOMMATEUR

⚠ MISE EN GARDE

La Commission de la sécurité des produits de consommation américaine (Consumer Product Safety Commission) avise que la température élevée de l'eau peut être dangereuse pour certaines personnes. Voir les recommandations ci-dessous pour le réglage de la température de l'eau.

1. La température des spa et bains tourbillons ne doit jamais dépasser 104 °F (40 °C). Une température de 100 °F (38 °C) est considérée sûre pour un adulte en bonne santé. Une attention toute particulière doit être accordée aux jeunes enfants. L'immersion prolongée en eau chaude peut causer l'hyperthermie.
2. L'absorption de boissons alcoolisées avant ou pendant l'utilisation d'un spa ou d'un bain tourbillon peut provoquer un effet de somnolence puis d'inconscience et par conséquent la noyade.
3. Les femmes enceintes doivent être vigilantes car l'immersion dans une eau supérieure à 100 °F (38 °C) peut causer des lésions au fœtus durant les trois premiers mois de la grossesse, (causant ainsi la naissance d'un bébé avec lésions cérébrales ou difforme). Les femmes enceintes doivent s'en tenir à une température maximale de 100 °F (38 °C).
4. Avant d'entrer dans un spa ou un bain tourbillon, l'utilisateur doit vérifier la température à l'aide d'un thermomètre précis. Les thermostats de spa ou de bain tourbillon peuvent donner des températures avec une marge d'erreur allant jusqu'à 4 °F (-15 °C).
5. Les personnes présentant antécédents médicaux de maladies cardiaques, de problèmes circulatoires, de diabète et de troubles de tension artérielle doivent prendre conseil auprès de leur médecin avant d'utiliser les spas ou les bains tourbillon.
6. Les personnes prenant des médicaments entraînant des effets de somnolence, tels que tranquillisants, anti-histaminiques, ou anti-coagulants ne doivent pas utiliser les spas ou les bains tourbillon.

⚠ MISE EN GARDE

En cas de surchauffe ou si la conduite de gaz ne peut être fermée, fermez la soupape manuelle d'arrivée du gaz. Ne pas utiliser ce chauffe-eau si une pièce quelle qu'elle soit a pris l'eau. Contacter immédiatement un technicien d'entretien qualifié pour examiner le chauffe-eau et remplacer toute pièce du système de contrôle et du contrôle du gaz qui a pris l'eau.

Consignes d'installations

SPÉCIFICATIONS

Ces consignes de montage sont destinées à être utilisées exclusivement par du personnel qualifié spécialement formé à l'installation de ce type d'équipement de chauffage et de ses composants. Certaines provinces exigent que l'installation et la réparation soient effectuée par un technicien titulaire d'un permis. Si tel est le cas, veuillez à ce que le service d'entretien avec lequel vous faites affaire soit dûment autorisé. Voir la **Figure 1** pour les consignes d'installation extérieure et intérieure.

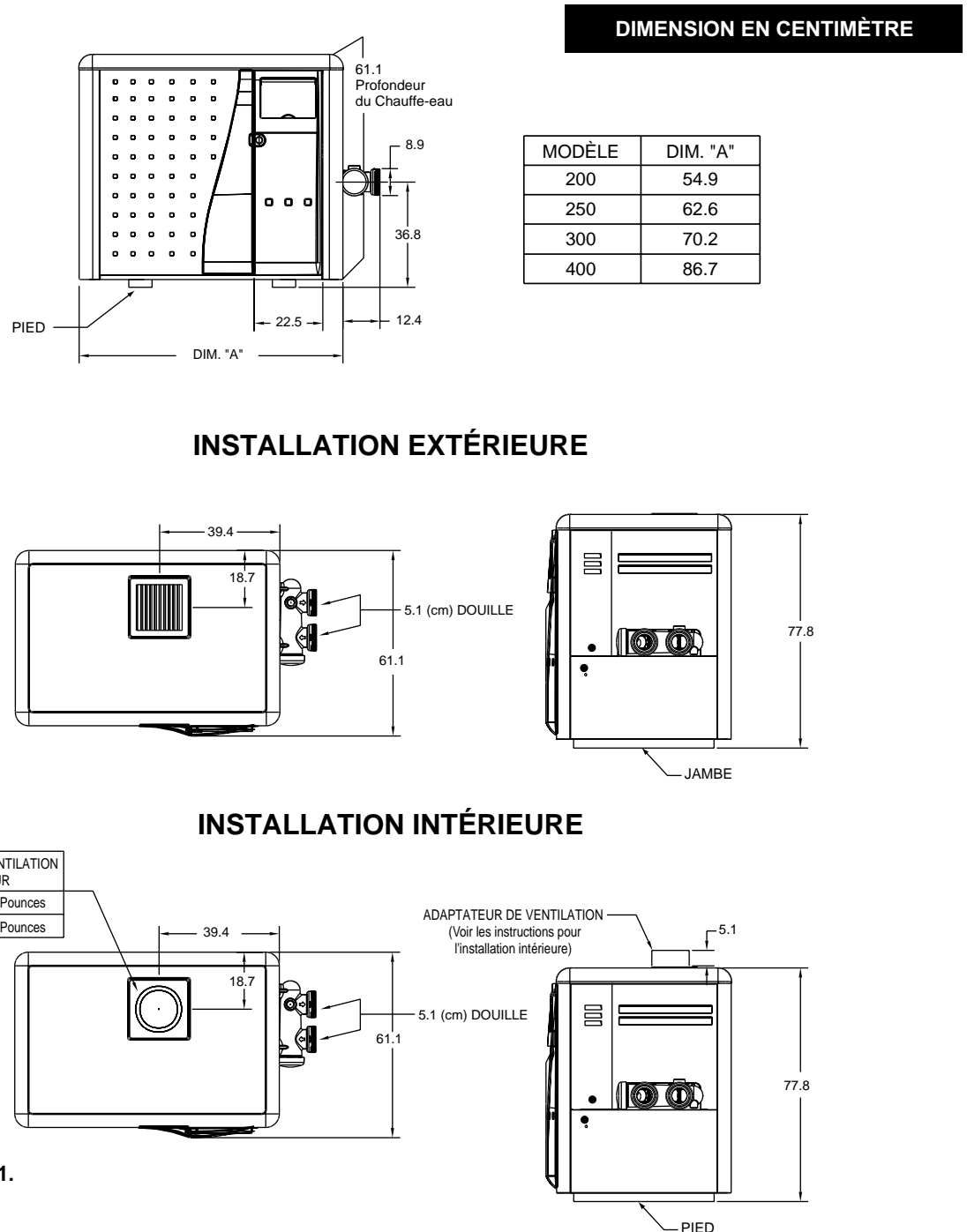


Figure 1.

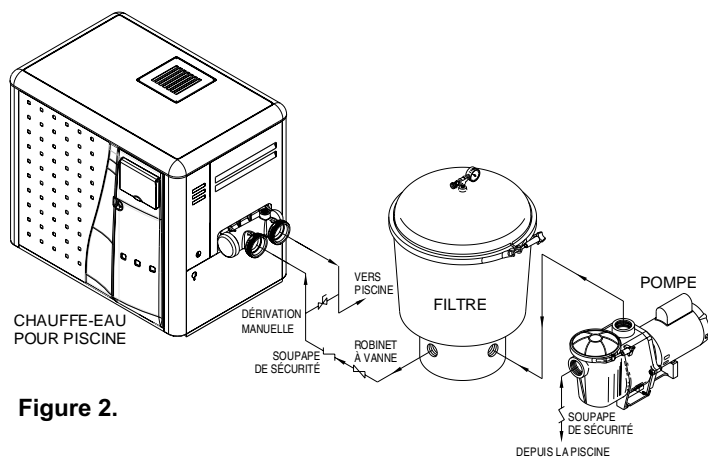


Figure 2.

RACCORDS DE PLOMBERIE

Le chauffe-eau MiniMax NT possède la capacité unique de se raccorder directement à la canalisation 40 PVC. Un ensemble de raccords est compris avec le MiniMax NT pour s'assurer de la conformité avec les procédures de raccordement de PVC recommandé par Pentair. D'autres raccords de plomberie peuvent être utilisés. Voir [Figure 2](#) pour les raccordements de la plomberie.

⚠ ATTENTION !

Avant de faire fonctionner le chauffe-eau sur une nouvelle installation, mettre en marche la pompe de circulation et faire évacuer tout l'air du filtre en utilisant la soupape de surpression située au dessus du filtre. L'eau doit circuler librement à travers le chauffe-eau. Ne pas faire fonctionner le chauffe-eau à moins que l'eau de la piscine ou du spa soit à un niveau convenable. Si une dérivation manuelle est installée, fermez-la temporairement afin d'expulser tout l'air qui se trouve dans le chauffe-eau.

SOUPAPES

Lorsqu'un équipement est situé sous le niveau d'eau, les soupapes doivent être placées dans le système de canalisation de circulation pour isoler l'équipement de la piscine ou du spa. Des soupapes de sécurité sont recommandées pour éviter tout contre-siphonnement.

⚠ ATTENTION !

L'installation de systèmes d'alimentation de produits chimiques doit se faire avec le plus grand soin pour éviter tout contre-siphonnement de produits chimiques dans le chauffe-eau, le filtre ou la pompe. Lorsque des distributeurs de produits chimiques sont installés dans la circulation du système de canalisation, il est important de vérifier que la ligne d'apport du distributeur soit en aval du chauffe-eau et qu'elle soit équipée d'une soupape de sécurité anti-corrosion parfaitement étanche (P/N R 172288) entre le distributeur et le chauffe-eau.

DÉRIVATION MANUELLE

Là où le débit dépasse le taux maximum de 450 LPM (Litre par Minute), une dérivation manuelle doit être installée et ajustée. Après ces ajustements, la manette de la soupape doit être enlevée pour éviter toute manipulation. Voir [Figure 2](#).

Modèle	Min. (LPM)	Max. (LPM) *
200	75	450
250	115	450
300	115	450
400	150	450
* Ne pas dépasser la vitesse d'écoulement recommandée pour la conduite de raccordement.		

Tableau 1.

Voir la page 66 pour l'installation d'une soupape de surpression.

INSTALLATION SOUS LE NIVEAU DE L'EAU

Si le chauffe-eau se trouve sous le niveau de l'eau, le manostat doit être ajusté. L'ajustement doit être effectué par un technicien d'entretien qualifié.

Voir la **ATTENTION** ci-dessous avant l'installation.

⚠ ATTENTION !

INSTALLATION AU-DESSUS OU EN-DESSOUS DU NIVEAU DE L'EAU

Le manostat est réglé en usine à 1½ lb/po² (PSI) (10,3 kPa). Ce pré-réglage est valable pour un chauffe-eau installé 3 po (90cm) au-dessus ou en dessous du niveau de l'eau. Si le chauffe-eau doit être installé à plus de 3 po (90cm) au-dessus ou en dessous, le manostat doit être ajusté par un technicien d'entretien qualifié. Voir la [Figure 21](#) à la [page 62](#).

COMMUTATEUR DE DÉBIT

Si le chauffe-eau doit être installé à plus de 6 po (1.8m) au-dessus ou à 10 po (3m) en dessous du niveau de l'eau, vous dépassez alors les capacités du manostat et vous devez installer un commutateur de débit. Placez et installez le commutateur de débit à l'extérieur, sur le tuyau d'évacuation relié au chauffe-eau, et aussi près que possible du chauffe-eau. Branchez les fils du commutateur de débit à la place des fils du monostat.

RACCORDEMENTS DES CONDUITES D'EAU

Collecteurs réversibles —

Raccords d'entrée et de sortie réversibles

Le MiniMax NT est assemblé en usine avec des raccords d'arrivée et de sortie d'eau sur le côté droit. Les collecteurs d'entrée et de sortie peuvent être inversés et placés sur le côté gauche sans retirer l'échangeur de chaleur.

Inverser les prises d'eau

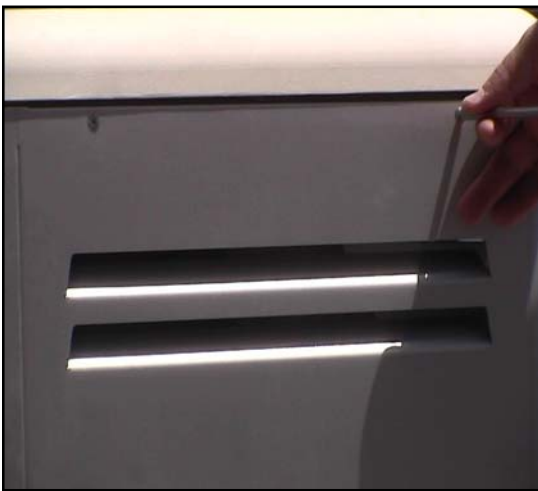
Outils nécessaires :

Tourne vis cruciforme (Phillips)

Douille de 9/16 po et clef

Clef ouverte de 1/2 po et de 9/16 po

1. Enlever les grandes portes d'accès droite et gauche. Il n'est pas nécessaire de retirer la partie supérieure du chauffe-eau pour accéder aux collecteurs.



2. Débranchez tous les fils des commutateurs à limite supérieure, à l'exception du câble court.



À NOTER

Ne retirez pas le manostat, commutateurs à limite supérieure ou le thermisteur du collecteur avant durant le processus d'inversion, puisqu'ils se retrouveront au bon endroit lorsqu'ils seront installés du côté gauche.

3. Débrancher les fils du manostat.
4. Débranchez les fils du capteur thermique de la carte du circuit et rebranchez-les au collecteur.



5. Retirez les 8 boulons qui maintiennent la tête principale d'entrée et de sortie.



Raccords d'entrée et de sortie réversibles, suite

Sur la gamme de chauffe-eau MiniMax NT, il existe un isolant installée par l'usine situé sur le même côté que la tête de retour des chauffe-eau. Cette isolant existe pour que, si les têtes sont inversées sur le terrain pendant l'installation initiale du chauffe-eau, les commutateurs à limites supérieures soient protégés de la chaleur réfléchie à partir de l'accumulateur du conduit.

- Remettez la tête dans la position initiale. Ce point de vue montre l'isolant installé par l'usine. Retirez les 8 boulons qui maintiennent la tête de retour en place.



- Lorsque les têtes sont enlevées, replacez les pinces à sceller pour tube de l'échangeur de chaleur.



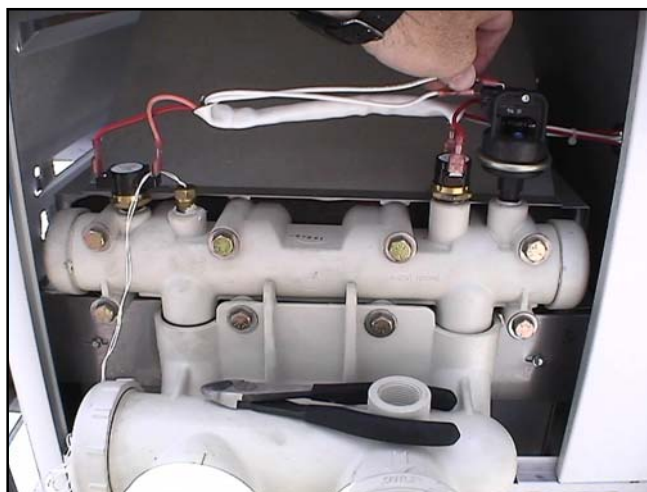
- Échangez le collecteur d'entrée et de sortie avec le collecteur de retour. Levez l'isolant afin de permettre l'installation de la tête principale. Alignez le collecteur avec l'échangeur d'air. Lorsque la tête est en place, relâchez l'isolant; les commutateurs à limites supérieures soient protégés de la chaleur réfléchie à partir de l'accumulateur du conduit. Remettez les boulons du collecteur et serrer à main. (Ceci permet d'éviter de fausser le filetage.) Serrez en diagonale en commençant par le centre du collecteur. **Ne pas trop serrer.**



- Installez le capteur thermique en passant les câbles par l'orifice prévu situé sur le côté gauche du panneau d'écharpe. Faites passer les câbles par le support.



- Rebranchez tous les câbles à limites supérieures et le manostat, en passant les câbles par le même orifice que les câbles du capteur du thermostat.



- Pompez et purgez le système afin de vous assurer que la tête ne fuit pas.
- Remettez les deux grands panneaux d'inspection en place.

À NOTE : Les marques des entrées et des sorties sur le collecteur sont toujours exactes.
Ne branchez pas le chauffe-eau à l'envers.

RACCORDEMENT DES CONDUITES DE GAZ

INSTALLATIONS DE LA CONDUITE DE GAZ

Avant d'installer la conduite de gaz, vérifier le type de gaz pour lequel le chauffe-eau a été conçu. Ceci est important car différents types de gaz nécessitent des tailles de conduites différentes. La plaque signalétique sur l'appareil vous indique le type de gaz à utiliser pour ce chauffe-eau. Les tableaux, en page 52, indiquent la taille de tuyau nécessaire pour couvrir la distance du compteur à gaz au chauffe-eau. Le tableau donne des indications valables pour le gaz naturel à une gravité spécifique de 0,65, et le propane à une gravité spécifique de 1,55.

Lors de la mesure des conduites de gaz, compter trois (3) pieds (90 cm) supplémentaires de tuyaux droit pour chaque coude utilisé. En installant les conduites de gaz, éviter d'y faire pénétrer poussière, graisse, ou tout autre corps étranger dans le tuyau, cela peut endommager la soupape de gaz et entraîner une défaillance du chauffe-eau.

Le compteur à gaz doit être vérifié afin d'assurer qu'il fournit suffisamment de gaz au chauffe-eau et à tout autre appareil qui pourrait être utilisé sur le même compteur. La conduite de gaz du compteur est habituellement de plus grande dimension que la soupape de gaz fournie avec le chauffe-eau. Par conséquent, la réduction de cette conduite s'avérera nécessaire. Faites cette réduction aussi près du chauffe-eau que possible.

Le chauffe-eau, et tout autre appareil fonctionnant au gaz, doivent être débranchés de l'alimentation en gaz lors de toute vérification de la pression du système de gaz (plus grand que ½ PSI [3,5 kPa]). Le chauffe-eau et sa connexion au gaz doivent être vérifiés contre des fuites avant de mettre le chauffe-eau en marche. **Ne pas utiliser de flamme pour tester la conduite de gaz.** Utiliser de l'eau savonneuse ou tout autre méthode non inflammable.

À NOTER

Une soupape d'arrêt manuelle principale doit être installée en externe par rapport au chauffe-eau.

⚠ MISE EN GARDE

NE PAS INSTALLER L'UNION DE LA CONDUITE DE GAZ À L'INTÉRIEUR DU CAISSON DU CHAUFFE-EAU. CECI POURRAIT ENTRAÎNER L'ANNULATION DE LA GARANTIE.

COLLECTEURS DE SÉDIMENT

Installer un collecteur de sédiment en avant des régulateurs de gaz. Le collecteur de sédiment doit être un raccord en T avec un raccord fileté doté d'un couvercle amovible dans la sortie du bas pour le nettoyage, tel que démontré dans la Figure 3, ou tout autre dispositif reconnu pour être efficace contre le sédiment. Toute installation de conduite de gaz doit être vérifiée afin de s'assurer qu'elle est conforme avec les codes locaux.

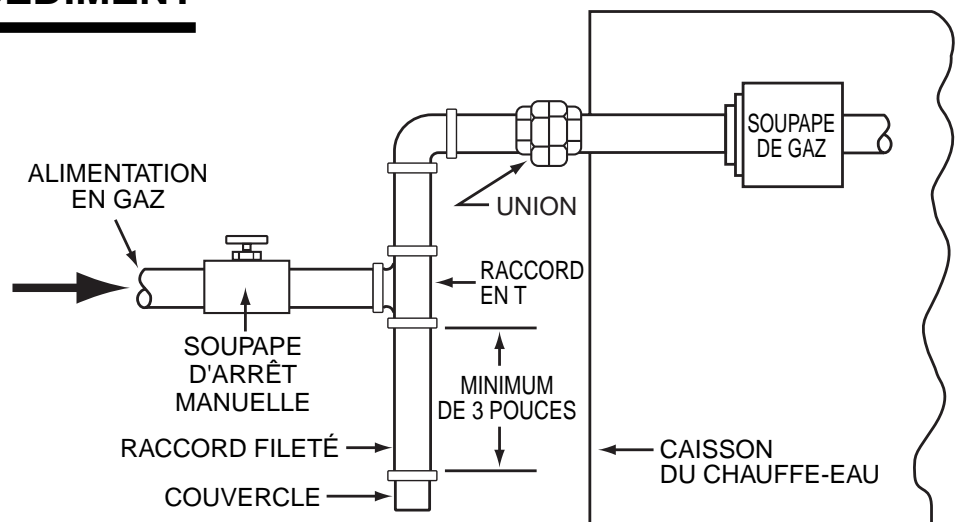


Figure 3.

DIMENSION DES TUYAUX DE GAZ

Tableau 2.

MESURE DES TUYAUX POUR RACCORDS D'ARRIVÉE DE GAZ														
LONGUEUR MAXIMUM ÉQUIVALENTE DE TUYAUX (en mètre)														
Gaz Naturel à 1000 B.T.U. par pied cube														
Propane à 2500 B.T.U. par pied cube														
MODÈLE	1.27 cm		1.905 cm		2.54 cm		3.175 cm		3.81 cm		5.08 cm		6.35 cm	
	NAT	PRO	NAT	PRO	NAT	PRO	NAT	PRO	NAT	PRO	NAT	PRO	NAT	PRO
200	-	6m	9m	24m	40m	75m	140m	180m	-	-	-	-	-	-
250	-	3m	6m	15m	21m	45m	75m	150m	180m	-	-	-	-	-
300	-	-	3m	9m	15m	30m	60m	110m	120m	180m	-	-	-	-
400	-	-	-	3m	6m	18m	30m	45m	60m	140m	120m	-	-	-

RÉGULATION DU GAZ **PROPANE** EN DEUX PHASES POUR INSTALLATIONS RÉSIDENIELLES

Dans plusieurs installations de conduites de gaz propane résidentielle, le fournisseur de gaz et/ou l'installateur utilisera un procédé de régulation en deux phases qui consiste tout d'abord à installer la 1^{ère} phase du régulateur de gaz au réservoir, à une pression plus élevée, habituellement 10 PSI [68,9 kPa]. Une pression plus élevée permet de couvrir une plus grande distance avec des tuyaux de plus petite dimension. Puis, à une courte distance du chauffe-eau, habituellement à environ 24 pouces (60cm), ils installeront un second régulateur, la seconde phase, qui sera réglé à la pression d'entrée requise pour le chauffe-eau.

Voir les « Tables des spécifications concernant la pression de gaz »

Mesure des tuyaux pour gaz à haute pression 1 ^{ère} phase			
10 PSI [68.9 kPa] à 2500 B.T.U par pied cube			
LONGUEUR MAXIMUM ÉQUIVALENTE DE TUYAUX			
MODÈLE	0 pour 15 m	15 pour 30 m	30 pour 45 m
DE 200 À 400	1.27 cm	1.27 cm	1.27 cm

Tableau 3.

Mesure des tuyaux pour gaz à basse pression 2 ^{ème} phase		
2 ^{ème} phase réglée à 14 po w.c.		
LONGUEUR MAXIMUM ÉQUIVALENTE DE TUYAUX		
MODÈLE	0 pour 3 m	3 pour 6 m
DE 200 À 400	1.905 cm	1.905 cm

Tableau 4.

RÉGULATION DU GAZ NATUREL EN DEUX PHASES POUR INSTALLATIONS RÉSIDENIELLES

Dans plusieurs installations de conduites de gaz naturel résidentielles, le fournisseur de gaz et/ou l'installateur utilisera un procédé de régulation en deux phases qui consiste tout d'abord à installer la 1^{ère} phase du régulateur de gaz à l'entrée principale, à une pression plus élevée. Une pression plus élevée, généralement réglée à 2 psi [13,79 kPa] ou 5 psi [34,47 kPa], permet de couvrir une plus grande distance avec des tuyaux de plus petite dimension. Puis, à une courte distance du chauffe-eau, habituellement à environ 24 pouces (60cm), ils installeront un second régulateur, la seconde phase. Ce second régulateur sera réglé à la pression d'entrée minimale requise pour le fonctionnement du chauffe-eau. Pour les chauffe-eau pour piscine de Pentair le minimum est de 7 pouces w.c. (ou 1,73 kPa).

Voir les « Tables des spécifications concernant la pression de gaz »

Mesure des tuyaux pour gaz à haute pression 1 ^{ère} phase			
2 PSI [13,79 kPa] à 1000 B.T.U par pied cube			
LONGUEUR MAXIMUM ÉQUIVALENTE DE TUYAUX			
MODÈLE	0 pour 15 m	15 pour 30 m	30 pour 45 m
DE 200 À 300	1.27 cm	1.27 cm	1.27 cm
400	1.905 cm	1.905 cm	1.905 cm
5 PSI [34,47 kPa] à 1000 B.T.U par pied cube			
DE 200 À 400	1.27 cm	1.27 cm	1.27 cm

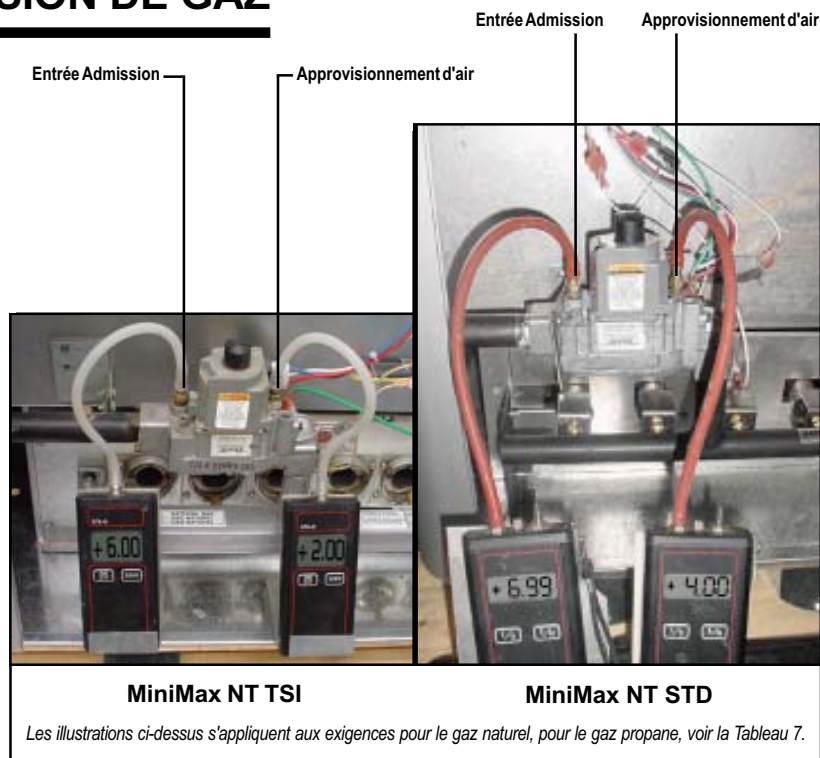
Tableau 5.

Mesure des tuyaux pour gaz à basse pression 2 ^{ème} phase		
2 ^{ème} phase réglée à 7 po w.c.		
LONGUEUR MAXIMUM ÉQUIVALENTE DE TUYAUX		
MODÈLE	0 pour 3 m	3 pour 6 m
DE 200 À 300	1.905 cm	1.905 cm
400	1.905 cm	2.54 cm
2 ^{ème} phase réglée à 7 po w.c.		
DE 200 À 400	1.905 cm	2.54 cm

Tableau 6.

VÉRIFICATION DE LA PRESSION DE GAZ

1. Mettre l'interrupteur d'alimentation à la position « OFF ».
2. Fermer la soupape de gaz « OFF ».
3. Enlever le bouchon NPT de 1/8 po situé sur le côté externe de la soupape et y visser le raccord que vous trouverez dans l'ensemble pour manomètre.
4. Connecter le tuyau du manomètre au raccord.
5. Ouvrir la soupape de gaz « ON ».
6. Mettre le chauffe-eau sous tension et lire le manomètre.
7. Lors du fonctionnement, le manomètre doit indiquer des valeurs semblables à celles dans les « Tableaux des spécifications concernant la pression de gaz », situées sur le côté admission de la soupape de gaz.
8. Si la lecture est en dessous des valeurs indiquées, vérifiez la pression d'alimentation durant le fonctionnement du chauffe-eau afin de vous assurer que l'approvisionnement est adéquat avant de procéder à des ajustements.
9. Pour l'ajustement, enlever le capuchon d'ajustement du régulateur, et, à l'aide d'un tournevis, tourner dans le sens des aiguilles d'une montre pour augmenter ou dans le sens inverse pour baisser la pression du gaz.



⚠ ATTENTION !

L'utilisation de Raccords Flexibles (Flex) n'est PAS recommandée étant donné qu'ils provoquent des chutes brusques dans la pression de gaz.

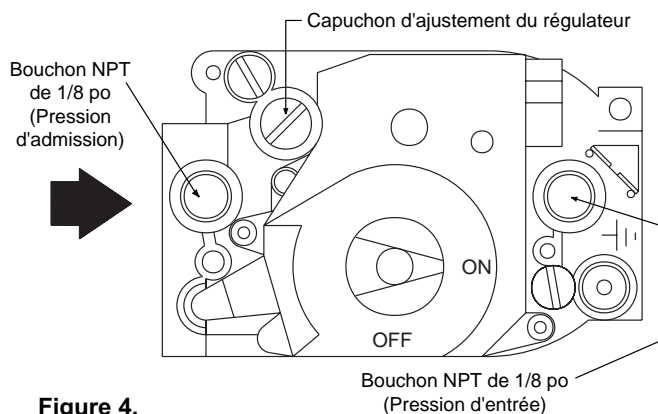


Figure 4.

EXIGENCES POUR LA PRESSION DE GAZ

Pression de gaz	Modèle	Naturel	Propane
		Pouces W.C.	
Pression maximum en arrivée	STD	10 po	14 po
	TSI	10 po	—
Pression minimum en arrivée	STD	*5 po	12 po
	TSI	4 po	—
Pression d'admission	STD	4 po	11 po
	TSI	2 po	—

NOTE : Toutes les lectures doivent être prises lorsque le chauffe-eau fonctionne. Tous ajustements ou lectures prises lorsque le chauffe-eau est fermé entraînera des troubles de performances.

Toutes les valeurs sont +/- 0,2 po w.c.

* 6 po w.c. pour le modèle STD 400.

Tableau 7.

VENTILATION INTÉRIEUR — Exigences Générales

Le tuyau de ventilation doit être du même gabarit ou plus grand. Les chauffe-eau MiniMax NT sont capables de rotation de débit à 360 degrés et de fonctionner avec une pression statique à ventilation positive et une température de ventilation du gaz à moins de 400 °F (200 °C). La longueur totale du parcours à l'horizontal ne doit pas excéder la longueur mentionnée plus bas dans les tableaux.

À NOTER

Les distances d'évent permissibles pour chaque diamètre de conduit d'évent sont différentes et ne peuvent pas être dépassées.

Chaque coude à 90 degrés réduit la course de ventilation horizontale à un maximum de 8 pieds (2.40 m), et chaque coude à 45 degrés réduit la course de ventilation de 4 pieds (1.20 m). Se reporter aux tables ci-dessous pour les longueurs maximale de ventilation utilisant des coudes à 45 et 90 degrés.

Le chauffe-eau MiniMax NT fait partie des appareils de la « catégorie III » pour piscine et spa à induction d'air et utilise une pression positive pour pousser les gaz du conduit de cheminée à travers le tuyau de ventilation vers l'extérieur. Ceci exige un système de ventilation entièrement étanche; une conduite de ventilation à cloison unique et à joints scellés, ainsi que des joints peuvent être utilisés. **Il est possible que des gaz d'échappement sous pression positive peuvent fuir vers l'intérieur de la résidence à cause d'une fissure ou de joints desscellés dans le conduit de ventilation, ou encore à cause d'une mauvaise installation de la ventilation.** Le conduit de ventilation doit être constitué d'une structure à reliure soudée comme celles indiquées pour utilisation dans « Appareils de Catégorie III », et pour des températures de service de moins de 400° F. (204 °C). L'utilisation de viroles, de supports de fixation rapide et/ou de terminaux de ventilation latéraux est exigée; et des dégagements adéquats autour des équipements combustibles doivent être maintenus selon le type de tuyau de ventilation utilisé - en l'absence de recommandation de dégagement par le fabricant de tuyau de ventilation, les exigences du Uniform Mechanical Code s'appliquent. *Les exigences de ventilation d'air du chauffe-eau MiniMax NT se trouvent page 56.* Il est recommandé que les courses de ventilation de plus de 18 pieds (5.40 m), soient isolées pour minimiser les problèmes liés à la condensation, et/ou, l'utilisation d'un piège à condensation sur la course de ventilation près du chauffe-eau peut s'avérer nécessaire sur certaines installations telles que celles des climats froids. Le chauffe-eau MiniMax NT s'adapte aux ventilations « à travers le mur », voir la table et les dimensions ci-dessous.

Les fournisseurs recommandés pour les terminaux de ventilation à capot pour murs latéraux sont entre autres : The Field Control Co. (2308 Airport Road, Kingston, NC 28501, (800) 742-8368), Tjerlund Products Inc. (1601 Ninth Street, White Bear Lake, MN 55110, (800) 255-4208) - Contacter les fabricants pour des renseignements sur le modèle et sa disponibilité.

Tuyau de ventilation de 10.16 cm		
Nombre de Coudes		Course Maximal de Ventilaion (Mètre)
90°	45°	
1	—	6.70
1	1	5.48
1	2	4.26
2	—	4.26

Tableau 8.

Tuyau de ventilation de 12.7 cm			Tuyau de ventilation de 12.7 cm		
Nombre de Coudes		Course Maximal de Ventilaion (Mètre)	Nombre de Coudes		Course Maximal de Ventilaion (Mètre)
90°	45°		90°	45°	
0	2	13.72	2	2	8.84
1	—	13.72	2	3	7.62
1	1	12.50	2	4	6.40
1	2	11.28	3	—	8.84
1	3	10.06	3	1	7.62
2	—	11.28	3	2	6.40
2	1	10.06	4	—	6.40

Tableau 9.

⚠ ATTENTION !

Ne PAS combiner les tuyaux d'échappement de ventilation à un conduit d'échappement commun dans les installations à unités multiples. Installer des tuyaux de ventilation distincts.

ENSEMBLES DE INSTALLATION DE VENTILATION POUR CHAUFFE-EAU À « TRAVERS LE MUR »						
Numéro de Pièce	Dim. A	Dim. B	Dim. C	Dim. D	Dim. E	Dim. F
471532	10.16 cm de Dia.	15.24 cm de Dia.	21.59 cm	16.03 cm	32.07 cm	26.99 cm
471543	12.70 cm de Dia.	20.32 cm de Dia.	21.59 cm	20.32 cm	32.07 cm	26.99 cm

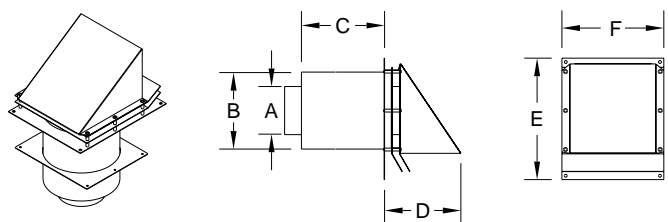


Figure 5.

Tableau 10.

INSTALLATION INTÉRIEURE (États-Unis Uniquement)

INSTALLATION EXTÉRIEUR SOUS ABRIS (Canada)

Se reporter page 56 pour les adaptateurs d'aération

Tous les combustibles et gaz de ventilation doivent être entièrement évacués vers l'extérieur par l'intermédiaire d'une conduite de ventilation connectée à un adaptateur de canalisation. Une extension de la conduite de ventilation de même taille doit être raccordée à l'adaptateur d'aération pour l'installation intérieur, et rallongée d'au moins 2 pieds (60 cm) plus haut que le point le plus haut du toit dans un diamètre horizontal de 10 pieds (3,00 m), et au moins 3 pieds (90 cm) plus haut que le point où l'extension passe à travers le toit, ou conformément au code local; voir les figures 6, 7 et 12. La ventilation doit se terminer par un bouchon d'aération (bouchon d'étanchéité) pour protéger l'embout de la pluie et des de la neige. Une conduite de ventilation à double cloison ainsi qu'un support de fixation rapide recommandé doivent être employés pour traverser le toit.

Le chauffe-eau doit être situé aussi près que possible de la cheminée ou de la ventilation du gaz.

⚠ ATTENTION !

Le chauffe-eau doit être installé à au moins 5 pieds (1,50 m) de la piscine ou du spa.

Le chauffe-eau doit être placé dans une pièce adéquate sur un sol au niveau et où toute fuite provenant de l'échangeur de chaleur ou des conduites d'eau ne provoquera aucun dégât au niveau de la surface environnante du chauffe-eau ou de la structure. Lorsqu'on ne peut éviter ce problème, il est recommandé de placer sous le chauffe-eau, un bac de récupération avec un drainage adéquat. Le bac ne doit pas entraver la circulation d'air. Il est recommandé de placer le chauffe-eau sur des dalles résistantes au feu. Ne pas placer le chauffe-eau directement sur un plancher de bois combustible sans placer une base non combustible entre le plancher et le chauffe-eau. **Les chauffe-eau ne doivent JAMAIS être installés directement sur du tapis.**

Pour les installations dans les sous-sols, garages, ou les structures souterraines où l'on peut remiser des substances inflammables, le chauffe-eau doit être surélevé de 18 pouces (45 cm) par rapport au sol. Il faut s'assurer de respecter les consignes de dégagements des matériaux combustibles indiquées ci-dessous.

CÔTÉ DU CHAUFFE-EAU	INSTALLATION	
	INTÉRIEUR (ABRIS EXTÉRIEUR)	EXTÉRIEUR
	CENTIMÈTRE	CENTIMÈTRE
CONDUITES D'EAU	45	45
BLANC	15	15
ARRIÈRE	15	15
DESSUS *	45	Ouverture Sans Toiture
DEVANT	60	60

* Au plafond ou au toit.

Tableau 11.

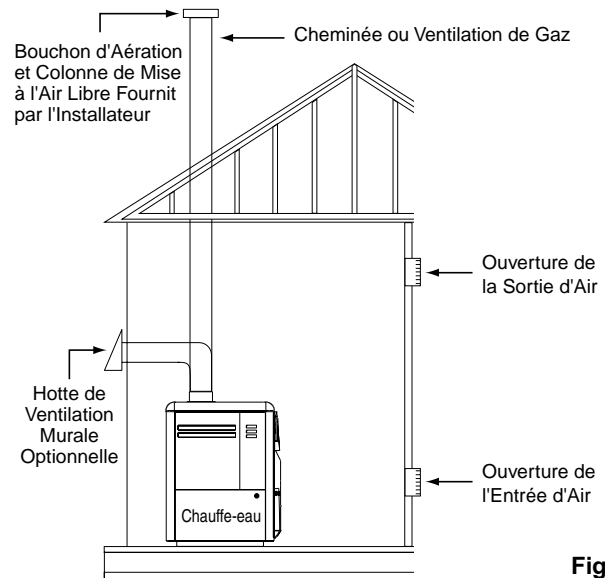


Figure 6.

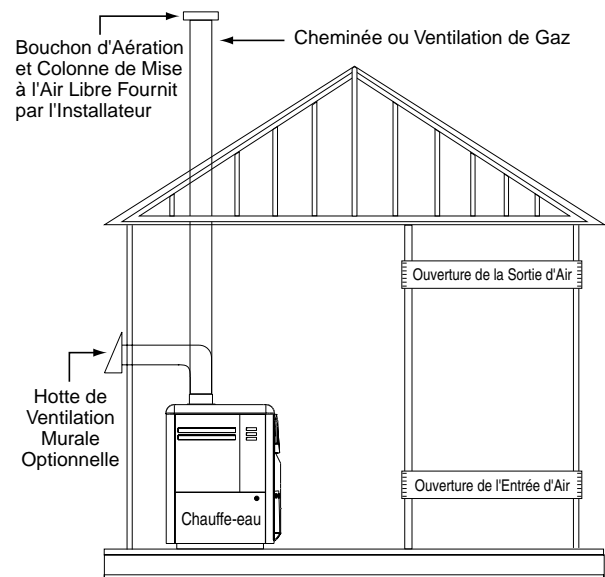


Figure 7.

Le chauffe-eau ne doit pas être placé à moins de 6 pouces (15 cm) de toute barrière, murs, arbustes, de n'importe quel côté ou arrière, et pas à moins de 18 pouces (45 cm) de la plomberie. Un dégagement minimum de 24 pouces (60 cm) doit être maintenu devant le chauffe-eau.

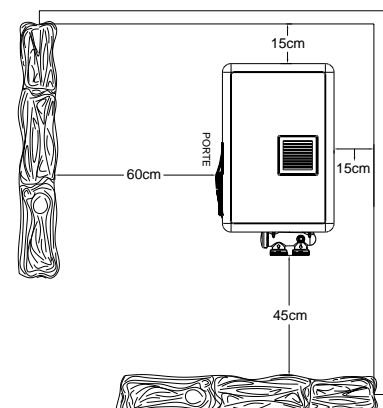


Figure 8.

ADMISSION D'AIR DE COMBUSTION

Pour l'installation intérieure, le chauffe-eau doit être placé dans un endroit où l'approvisionnement d'air est adéquat pour la combustion et la bonne ventilation de l'air environnant.

Il est nécessaire que l'endroit où le chauffe-eau est installé soit approvisionné par deux entrées d'approvisionnement d'air permanentes ; une située à 12 pouces (30cm) du plafond, et l'autre à 12 pouces (30cm) du planché. Ces entrées doivent directement, ou par conduit être reliées à l'air extérieur du bâtiment.

Pentair Pool Products, Inc. ne recommande pas les installations intérieures qui ne permettent pas d'évacuer l'air de combustion à l'extérieur du bâtiment.

Guide sur les exigences pour l'approvisionnement d'air pour les chauffe-eau MiniMax NT

Emplacement Ouvert pour Chaque Ouverture * (centimètre carrés) (cm ²)		
Dimension du Chauff-eau	Approvisionnement par Conduites	Approvisionnement Direct
200	1700	900
250	2100	1100
300	2500	1300
400	3300	1700

* Emplacement indiqué convient à une ou deux ouvertures; une au niveau du sol et l'autre au niveau du plafond.
NOTE: Si vous utilisez une ouverture de type à volet ou à moustiquaire, vérifier avec le fabricant de ces dernières pour corriger leur résistance.

Tableau 12.

⚠ ATTENTION !

Les produits chimiques ne doivent pas être rangés près de l'installation du chauffe-eau. L'air de combustion peut être contaminée par des vapeurs chimiques corrosives et peut annuler la garantie.

ADAPTATEURS D'AÉRATION

(CONVIENT À TOUS LES MODÈLES)

Un adaptateur d'aération adéquat, doit être installé sur le chauffe-eau comme indiqué ci-dessous à la figure 9.

Numéro de Produit	Diamètre de la Conduite
460506	10.16 cm
460507	12.7 cm

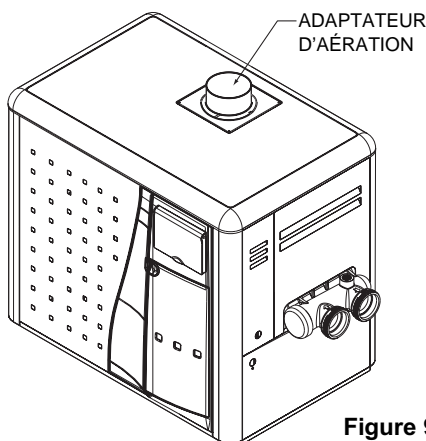


Figure 9.

1. Retirez les six (6) vis de retenue de la vieille grille d'échappement et jetez les vis, le joint d'étanchéité et la grille d'échappement tel qu'indiqué dans la figure 10.

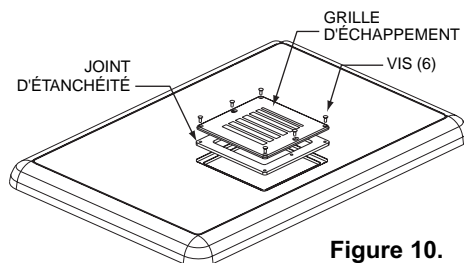


Figure 10.

2. Installez l'adaptateur d'aération tel qu'indiqué dans la figure 11. Assurez-vous que les trous du joint d'étanchéité, de la plaque d'adaptation et le couvercle du chauffe-eau sont bien alignés avant de visser les six (6) vis incluses dans l'ensemble pour adaptateur d'aération.

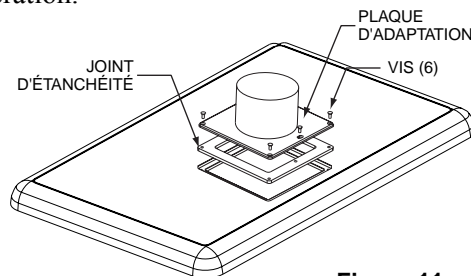
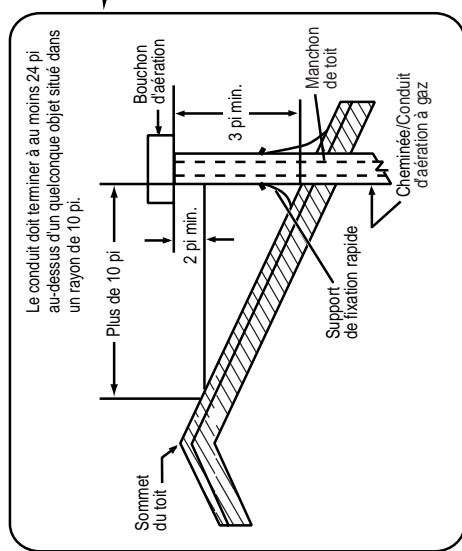


Figure 11.

CONSEILS POUR L'INSTALLATION INTÉRIEUR DU MINIMAX NT

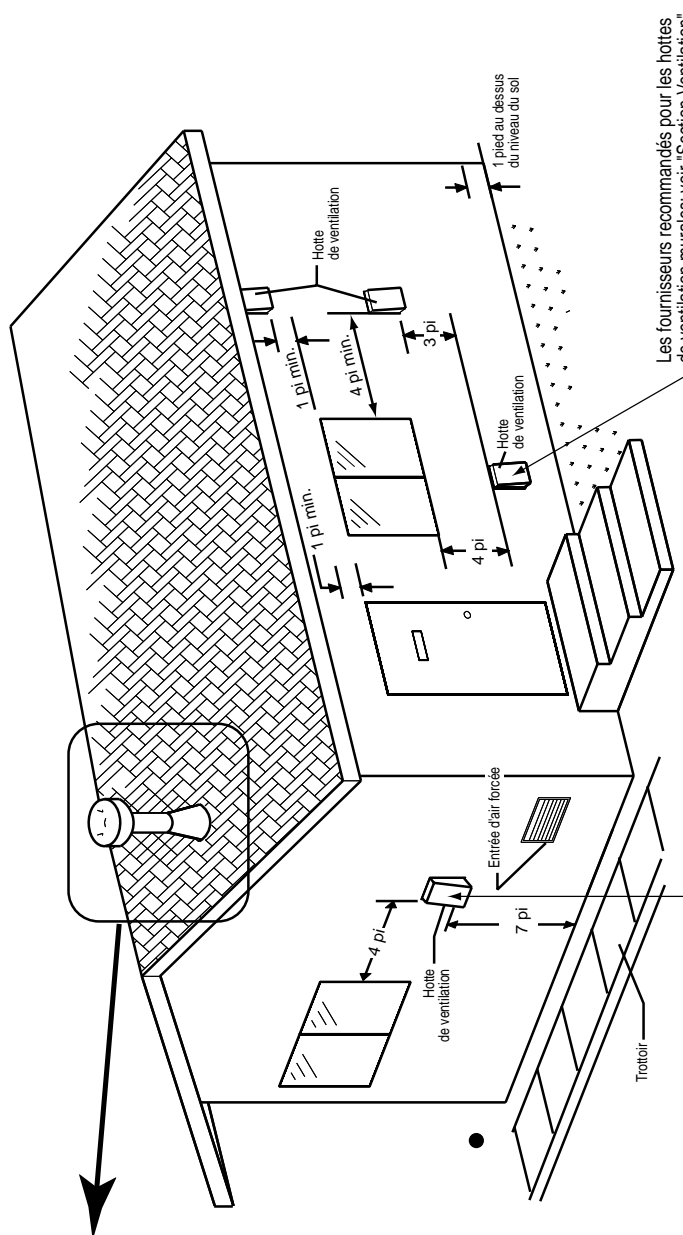


Ventilation pour des installations sur le toit :

- Doit être d'au moins 3 pieds plus haut que le point où l'extension passe à travers le toit, ou conformément au code local.
- Doit utiliser un manchon de toit à travers la pénétration du toit.
- Un support de fixation rapide recommandé, mitre et un bouchon d'aération/d'étanchéité.

Extension du conduit de ventilation :

- Doit être du même diamètre que le raccord de conduit.
- Doit être apte à un usage avec des appareils de catégorie III ayant des caractéristiques nominales de température de gaz de carneau de moins de 400 degrés F. (200 °C).
- Peut utiliser un conduit d'aération mural unique avec des reliures soudées, des joints et des matériaux d'isolation adéquats.



Hotte de ventilation pour installation murale :

- Ne doit pas être placés à moins de 7 pi (2,10 m) au-dessus des trottoirs publics.
- Doit être à au moins 3 pi (90 cm) d'une quelconque prise d'air extérieure située dans un rayon de 10 pi (3,00 m).
- Ne doit pas être placé dans un rayon de 3 pi (90 cm) autour d'un coin intérieur de la structure.
- Doit être à au moins 1 pi (30 cm) au-dessus du sol.
- Les distances suivantes doivent être respectées autour de quelconques portes, fenêtres, ou bouches d'aération :
 - 4 pi (1,20 m) en dessous
 - 4 pi (1,20 m) à l'horizontal
 - 1 pi (30 cm) au-dessus de l'approvisionnement d'air
- **Approvisionnement d'Air**
Les dégagements indiqués s'appliquent à des entrées d'air du bâtiment non mécaniques. Pour des entrées d'air mécaniques, un dégagement horizontal minimal de 10 pi (3,00 m) de la terminaison de la ventilation est nécessaire.

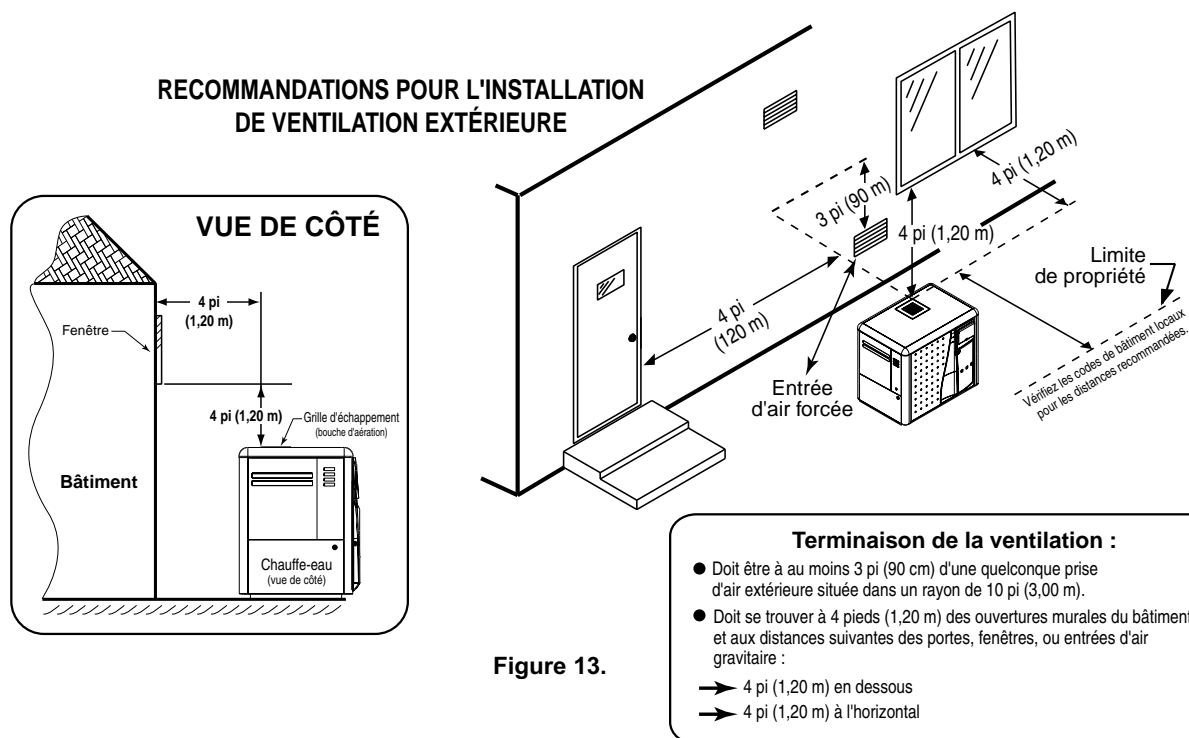
Figure 12.

INSTALLATION EXTÉRIEURE (Pour l'installation extérieure sous abris au Canada, voir la page 55)

Pour une installation extérieure avec une grille d'échappement, le chauffe-eau doit être placé dans un endroit adéquat et sur un sol incombustible au niveau. Ne pas installer le chauffe-eau sous un surplomb avec des dégagements de moins de 3 pi (90 cm) à partir du sommet du chauffe-eau. La zone située en dessous du surplomb doit être dégagée sur trois côtés.

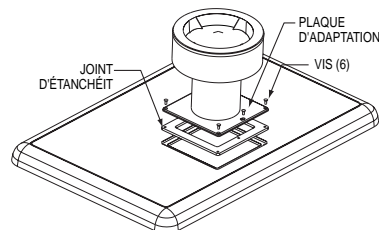
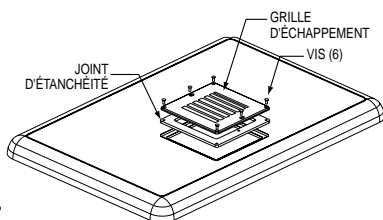
IMPORTANT!

- Pour une installation extérieure, il est important de s'assurer que l'eau est déviée des corniches par un système de gouttière ou de drainage adéquat. Le chauffe-eau doit être placé sur une fondation au niveau afin d'assurer un drainage adéquat.
- Sous certaines conditions telles que les pluies abondantes ou de grands vents, il peut s'avérer nécessaire d'installer un conduit extérieur. Dans cette situation, utilisez l'ensemble pour conduit extérieur P/N 460424 (voir ci-dessous).
- L'appareil ne doit pas fonctionner à l'extérieur à des températures inférieures à moins 20 °F (-6.66 °C).



ENSEMBLE DE VENTILATION POUR L'EXTÉRIEUR

1. Retirez les six (6) vis de retenue de la vieille grille d'échappement et jetez les vis, le joint d'étanchéité et la grille d'échappement tel qu'indiqué dans la figure 14.
2. Installez l'ensemble de ventilation pour l'extérieur (P/N 460424) tel qu'indiqué à la figure 15. Assurez-vous que les trous dans le joint d'étanchéité, la plaque d'adaptation et le couvercle du chauffe-eau sont bien alignés avant de visser les six (6) vis incluses dans l'ensemble de ventilation pour l'extérieur.



⚠ ATTENTION !

Si le chauffe-eau doit être placé à côté ou près d'un appareil de climatisation ou d'une thermopompe, allouez un espace d'au moins 36 pouces (90 cm) entre le climatiseur et le chauffe-eau.

RACCORDEMENTS ÉLECTRIQUES

Classement électrique 60 Hz 120/240 Volts c.a. monophasé

⚠ ATTENTION !

This heater is designed to operate at 120 or 240 VAC. It is not recommended to be connected to OR operate on a 208 VAC.

À NOTER

- Le chauffage MiniMax NT est pré-câblé pour une connexion AC de 240 volt en utilisant le connecteur "ROUGE" et le connecteur commun "BEIGE"; voir **Figure 16** ci-dessous. Pour une alimentation à 120 volt AC, retirez le connecteur commun « BEIGE » et branchez-le au connecteur commun « BLEU ».
- Lors du branchement de l'alimentation au « Circuit de Raccord » à l'intérieur de la boîte à fusible, suivez la polarité comme il est indiqué ci-dessous. Lors du branchement à 120V AC, assurez-vous de brancher le câble au raccord (L), le câble neutre au raccord neutre (N) et la prise de terre au raccord terre (GND), voir dessous, **Figure 17**.
- Si un des fils inclus avec le chauffe-eau doit être remplacé, l'installateur doit fournir (N° 18 AWG, 600 volts, 105° approuvé C.U.L à faible énergie AWM) du fil torsadé en cuivre ou l'équivalent. Le câblage de fusibles thermiques doit être remplacé avec du 18 AWG, 600 volts, 150 °C (température nominale).

⚠ ATTENTION !

L'installation doit être conforme aux codes locaux, ou, en leurs absences, au National Fuel Gas Code, ANSI Z 223.1/NFPA 54 et/ou CSA B149.1, Natural Gas and Propane Installations Codes. Si une source d'électricité externe est utilisée, le chauffe-eau, une fois installé, doit être raccordé à une prise de terre et fixé selon les codes locaux, ou en l'absence de ces codes, aux États-Unis, avec le National Electrical Code, ANSI/NFPA 7; au Canada, avec le Code canadien d'électricité, CSA C 22.1.

- Toujours utiliser des connecteurs de type pince lorsque l'on raccorde deux fils.

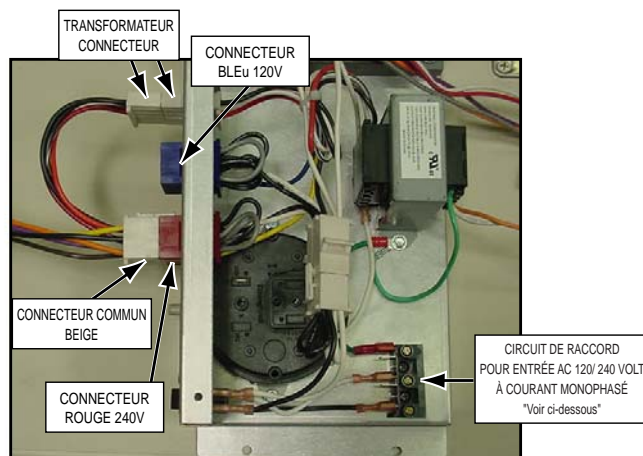


Figure 16.

Vous pouvez avoir besoin d'ouvrir la jacket (panneau supérieur) pour l'entretien du terminal de circuits comme le montrent les figures 16 et 17 (voir l'item 40 dans la vue éclatée).

TERMINAL DE BRANCHEMENTS

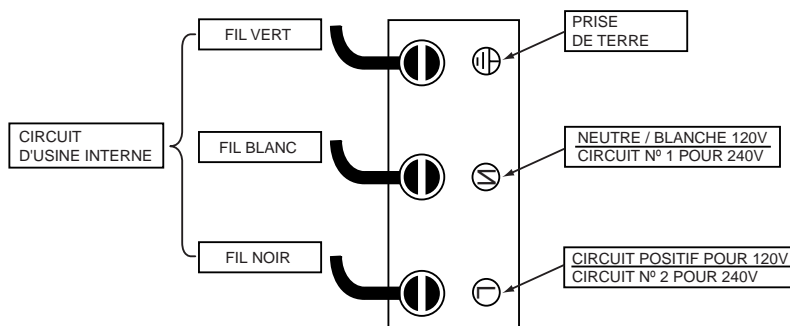


Figure 17.

SCHÉMA DE CÂBLAGE - NT STD ET TSI AVEC THERMOSTAT À AFFICHAGE NUMÉRIQUE

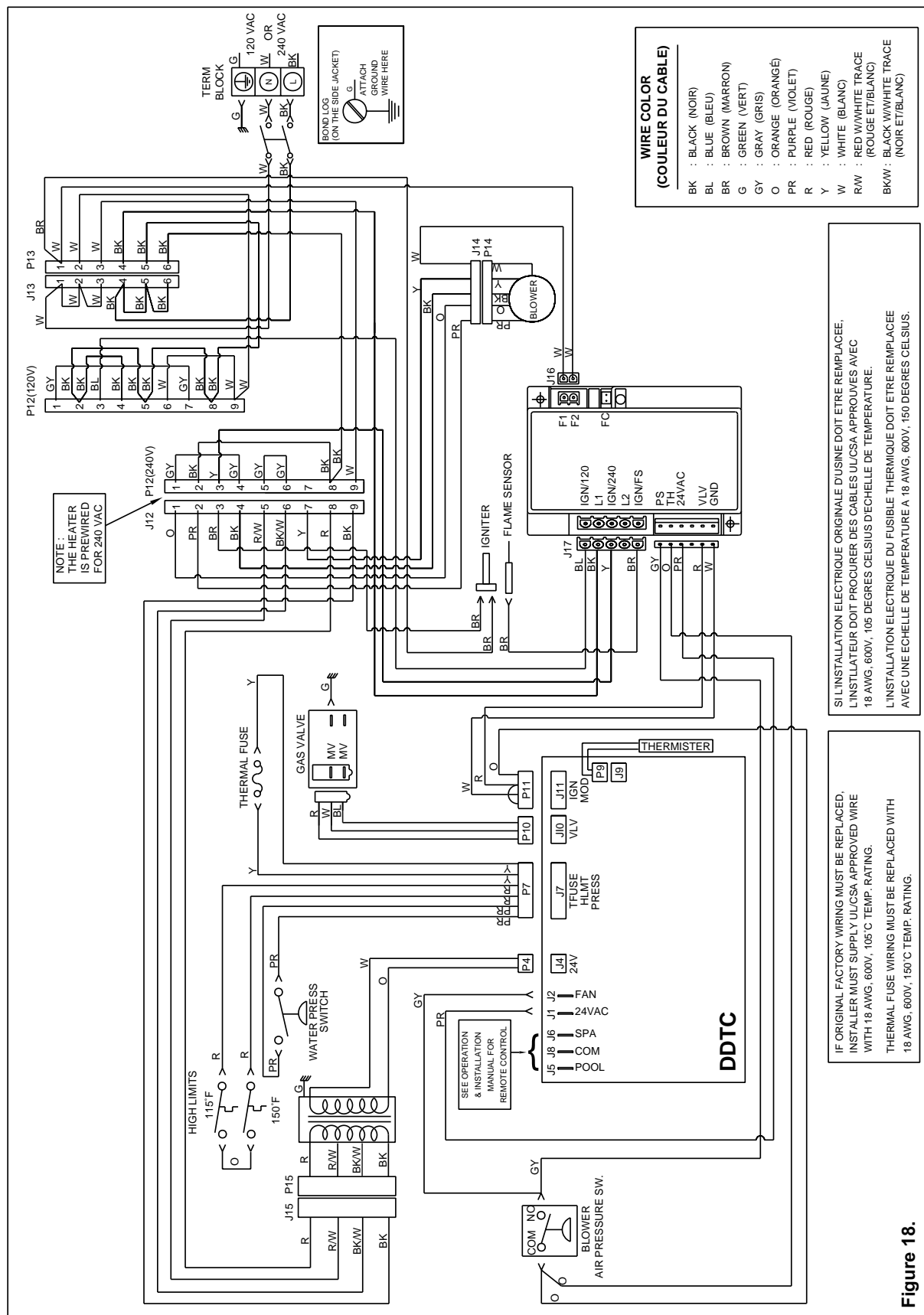


Figure 18.

Consignes de Fonctionnement

FONCTIONNEMENT GÉNÉRALE DU SYSTÈME

1. **Amorcez la pompe, assurez-vous qu'elle fonctionne et qu'elle a été purgée, pour fermer le manostat et l'alimentation électrique au chauffe-eau.** Assurez-vous que la piscine et/ou le spa est rempli à un niveau d'eau adéquat. Suivez les instructions pour l'allumage/Consignes de fonctionnement ci-dessous.

MINIMAX NT HSI À ALLUMAGE ÉLECTRONIQUE : ALLUMAGE/CONSIGNES DE FONCTIONNEMENT

POUR VOTRE SÉCURITÉ : LIRE ATTENTIVEMENT AVANT D'ALLUMER

⚠ MISE EN GARDE



Si les instructions ne sont pas suivies à la lettre, il peut s'ensuivre un incendie ou une explosion causant des dommages matériels, des blessures ou la mort.

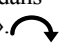

N'allumer pas le chauffe-eau si vous soupçonnez une fuite de gaz. Allumer le chauffe-eau peut alors provoquer un incendie ou une explosion, et donc des blessures, la mort et des dégâts matériels.

- | | |
|--------------------------------------------------------------------------------------------------------------------------------------------------------------------------------------------------------------------------------------------------------------------------------------------------------------------------------------------------------------------------------------------------------------------------------------------------------------------------|------------------------------------------------------------------------------------------------------------------------------------------------------------------------------------------------------------------------------------------------------------------------------------------------------------------------------------------------------------------------------------------------------------------------------------------------------------------------------------------------------------------------------------------------------------------------------------------------------------------------------------------------------------------------------------------------------------------------------------------------------------------------------------------------------------------------------------------------|
| <ol style="list-style-type: none"> A. Cet appareil électrique ne possède pas de pilote. Il est doté d'un dispositif d'allumage qui allume les brûleurs automatiquement. Ne pas essayer d'allumer les brûleurs à la main. B. AVANT L'ALLUMAGE, sentir tout autour de l'appareil pour deceler toute odeur de gaz. Prenez soin de sentir près du sol également, car certains gaz sont plus lourds que l'air et se concentrent au ras du sol. | <ul style="list-style-type: none"> - Suivre les instructions du fournisseur de gaz. Si vous ne pouvez communiquer avec votre fournisseur de gaz, appeler les pompiers. C. N'utilisez que la main pour enfoncer ou tourner la manette de contrôle du gaz. Ne jamais utiliser d'outil. Si l'on ne peut enfoncer ou faire tourner la manette à la main, n'essayez pas de la réparer, contacter un technicien qualifié. L'utilisation de la force ou même une tentative de réparation pourrait provoquer un incendie ou une explosion. D. Ne pas utiliser ce chauffe-eau si une composantes a été immergée dans l'eau. Contacter immédiatement un technicien d'entretien qualifié pour examiner le chauffe-eau et remplacer toute composante du système de contrôle ou de gaz qui aurait été immergée dans l'eau. |
|--------------------------------------------------------------------------------------------------------------------------------------------------------------------------------------------------------------------------------------------------------------------------------------------------------------------------------------------------------------------------------------------------------------------------------------------------------------------------|------------------------------------------------------------------------------------------------------------------------------------------------------------------------------------------------------------------------------------------------------------------------------------------------------------------------------------------------------------------------------------------------------------------------------------------------------------------------------------------------------------------------------------------------------------------------------------------------------------------------------------------------------------------------------------------------------------------------------------------------------------------------------------------------------------------------------------------------|

QUE FAIRE EN PRÉSENCE D'ODEUR DE GAZ

- Ne tenter d'allumer aucun appareil.
- Ne toucher aucun interrupteur électrique; n'utiliser aucun téléphone à l'intérieur du bâtiment.
- Appeler immédiatement votre fournisseur de gaz en utilisant le téléphone d'un voisin.

CONSIGNES DE FONCTIONNEMENT

1. **ATTENTION!** Lire les consignes de sécurité ci-dessus, (De A jusqu'à D).
2. Ouvrir les portes d'accès. Mettre le chauffe-eau hors tension (OFF), voir la [figure 24](#).
3. Mettre le thermostat à la position « OFF », voir la [page 67](#).
4. Cet appareil est doté d'un dispositif d'allumage qui allume les brûleurs automatiquement. Ne pas essayer d'allumer les brûleurs à la main.
5. Enfoncer légèrement la manette de contrôle du gaz et tourner dans le sens des aiguilles d'une montre, jusqu'à la position « OFF ». 
À NOTER : La manette ne peut être en position « OFF » que si elle est légèrement enfoncée. Ne pas foncer.
6. Attendre cinq (5) minutes que tout gaz se dissipe. Arrêter si vous sentez alors une odeur de gaz. Suivre l'étape « B » dans les consignes de sécurité ci-dessus. Passer à l'étape suivante en l'absence de gaz.
7. Tourner la manette de contrôle du gaz dans le sens des aiguilles d'une montre, jusqu'à la position « ON ».  Voir [figure 19](#).
8. Replacer la porte d'accès et régler le thermostat au mode désiré : Piscine (POOL), spa (SPA) ou télécommande (REMOTE).
9. Régler le thermostat à la température désirée.
 - a. Le module d'allumage fonctionne et le cycle de purge est commencé, approximativement 15 secondes.
 - b. Le moteur du ventilateur se met en route, ce qui ferme le pressostat d'air à vide du ventilateur.
 - c. Vérifier pour la mise en marche du HSI (allumage à surface chaude) en regardant par la fenêtre ou par l'ouverture sur la plaque avant du brûleur.
10. Si l'appareil ne fonctionne pas, suivre les consignes « Fermer l'arrivée du gaz vers l'appareil » et contacter le technicien d'entretien ou le fournisseur de gaz.

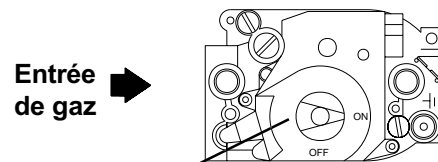
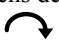


Figure 19. La manette de contrôle du gaz à la position « ON ».

FERMER L'ARRIVÉE DU GAZ VERS L'APPAREIL

1. Mettez l'appareil hors tension pour toute manipulation d'entretien.
2. Régler le thermostat à la position « OFF ».
3. Ouvrir les portes d'accès.
4. Enfoncer légèrement la manette de contrôle du gaz et tourner dans le sens des aiguilles d'une montre, jusqu'à la position « OFF ».  **Ne pas foncer.**
5. Ouvrir les portes d'accès.

CONTRÔLES DE SÉCURITÉ

COMMUTATEUR (VENTILATEUR) DE PRESSION DU VIDE D'AIR

Le commutateur de pression du vide d'air (voir [figure 20](#)) est un outil de sécurité utilisé pour s'assurer que le souffleur de combustion d'air fonctionne, et a été conçu pour contrôler la pression du vide (négative) à l'intérieur de la soufflerie. Le commutateur de pressions d'air est installé en usine et est connecté en amont du module d'allumage. Le module d'allumage ne fonctionne que lorsque le commutateur de pression d'air ainsi que tous les autres commutateurs sont fermés.

COMMUTATEUR DE PRESSION D'EAU

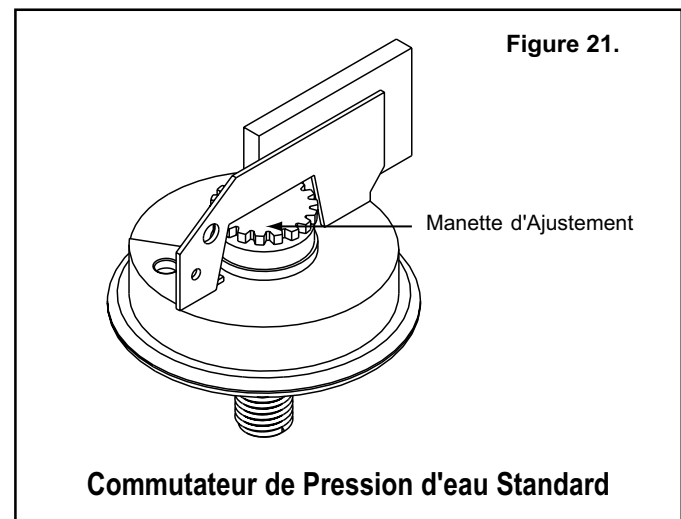
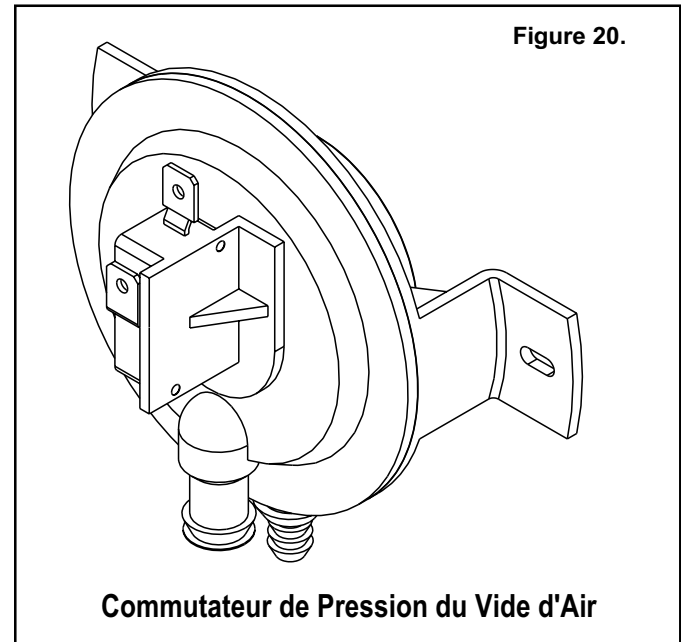
Le commutateur de pression (voir [figure 21](#)) se ferme lorsque le débit d'eau vers l'échangeur de chaleur est suffisant pour que le chauffe-eau fonctionne en toute sécurité. Le commutateur a été réglé en usine à 1½ PSI pour le fonctionnement. **À NOTER :** Voir *Consignes d'installation sous le niveau de l'eau* [page 48](#). Le commutateur peut rester fermé sans débit d'eau s'il y a un nivellement de plus de 3 pi (90cm) entre le chauffe-eau et le niveau de l'eau de la piscine- si tel est le cas, le commutateur de pression d'eau doit être réinstallé par un technicien d'entretien qualifié pour maintenir les contacts du commutateur ouverts sans débit d'eau.

À NOTER

Si la piscine est à plus d'un étage en dessus ou en dessous du chauffe-eau, il faudra peut être remplacer le commutateur de pression par un commutateur de débit.

FUSIBLE THERMIQUE

Ceci est un commutateur à usage unique, monté sur la gaine du diviseur du caisson (panneau avant intérieur). Le fusible (voir [figure 22](#)) est activé par une température excessive due à un fonctionnement sous de conditions anormales. Suivant la détection d'une chaleur excessive provenant du panneau avant intérieur, le fusible court-circuite le système, causant l'arrêt du chauffe-eau.



CONTRÔLES DE SÉCURITÉ, (suite)

HAUTES LIMITES

Une « Haute Limite » est un instrument qui ouvre le circuit électrique et ferme le chauffe-eau en se basant sur une position donnée de température enregistrée sur l'Instrument de « Haute Limite ». Les séries MiniMax NT de chauffe-eau en possèdent deux (2) situés sur la tête principale entrée/sortie, l'une pour détecter la température de l'eau d'arrivée et l'autre de la température de l'eau à la sortie.

FONCTIONNEMENT DU MODULE D'ALLUMAGE

Le module d'allumage (voir [figure 23](#)) est basé dans le microprocesseur et fonctionne sur du courant 24 V fourni par le transformateur. Le contrôle utilise un microprocesseur pour

suivre, analyser et contrôler sans interruption et en toute sécurité, le bon fonctionnement des brûleurs à gaz. Le module, aidé du détecteur de flamme et utilisant un correcteur de flamme, permet au chauffe-eau de fonctionner.

1. MODE CHALEUR

- Quand un appel de chaleur est transmis au thermostat, qui fournit du courant 24 V au terminal, le système se met en autocontrôle de routine et entame la programmation sécurisée de la séquence d'allumage. Après le cycle de pré-purge du ventilateur d'une durée de 15 secondes, l'igniteur de surface chaude est activé pour un cycle de chauffe d'une durée de 40 secondes suivi d'une stimulation de la soupape de gaz pendant la période d'essai d'allumage d'une durée de 7 secondes pour le modèle STD et de 6 secondes pour le modèle TSI.
- Quand une flamme est détectée pendant l'essai d'allumage, l'igniteur est désactivé et la soupape de gaz reste stimulée.
Note : Pour tous les chauffe-eau TSI : Après la pré-purge, le ventilateur ralentit à demi vitesse durant le préchauffage et durant l'allumage et continue à basse vitesse pour les 30 secondes suivantes, pour retourner ensuite à vitesse régulière pour le reste du cycle de chauffage.
- Le thermostat, commutateur de pression du vide d'air ainsi que le brûleur principal sont constamment sous surveillance pour s'assurer que le système continue à fonctionner normalement. Quand le thermostat est satisfait et que la demande de chaleur cesse, la stimulation de la soupape principale s'arrête immédiatement et un cycle de post-purge d'une durée de 45 secondes se met en route avant l'arrêt du ventilateur d'air de combustion.

2. VERROUILLAGE EN CAS D'ÉCHEC D'ALLUMAGE

Au cas où le brûleur principal ne s'allume pas, ou si la flamme n'est pas détectée pendant la première période d'essai d'allumage, le module d'allumage arrêtera la séquence d'allumage et la soupape de gaz s'arrêtera. Le module d'allumage entamera un délai de « purge intermédiaire » d'environ 15 secondes avant d'effectuer un autre essai. Le module répétera cette séquence par deux (2) fois, s'il n'y a pas d'allumage après le deuxième essai, le module se verrouillera complètement. La soupape de gaz sera fermée immédiatement. Le ventilateur sera fermé après la période de purge postérieure d'une durée de 45 secondes.

Le module sera réinitialisé automatiquement après une heure, si le thermostat réclame toujours de la chaleur le module recommencera un nouveau cycle d'essai d'allumage.

3. ÉCHEC DE LA FLAMME - RALLUMAGE

Si le signal de flamme établi est perdu pendant que le brûleur fonctionne, le système de contrôle répondra en deça de .08 seconde. La stimulation de la soupape de gaz s'arrête, et le contrôle entame une nouvelle séquence d'allumage pour tenter de rallumer le brûleur. Le module d'allumage entamera cette séquence par trois (3) fois, s'il n'y a pas d'allumage après le troisième essai, le module se verrouillera comme expliqué dans la section Verrouillage en cas d'échec d'allumage. S'il y a une flamme, l'appareil retourne au mode de fonctionnement normal.

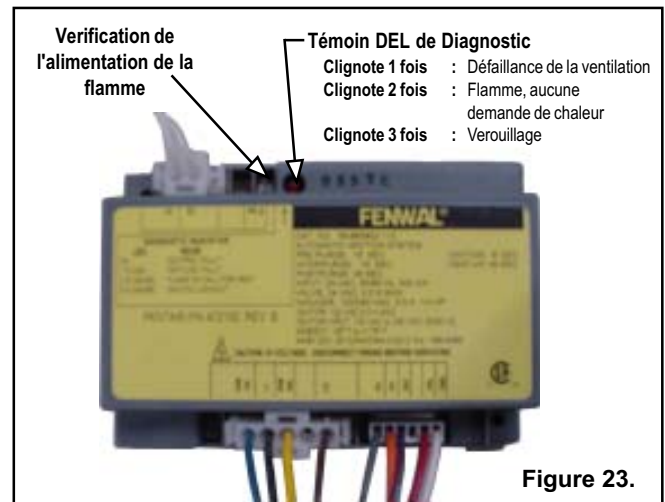


Figure 23.



Figure 24.

THERMOSTAT À AFFICHAGE NUMÉRIQUE

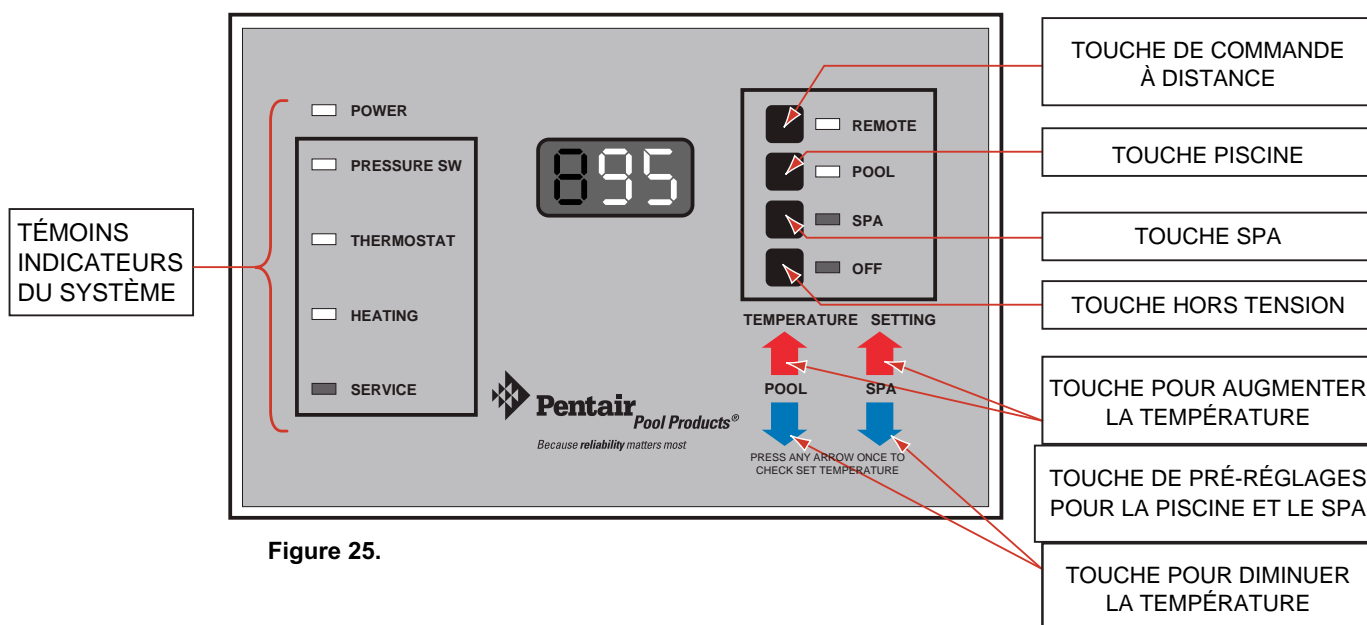


Figure 25.

Le tableau de commande montré dans la **figure 25** est un thermostat à affichage numérique capable de contrôler la piscine, le spa ou les deux à une température minimale de 65 °F (18 °C) (sous 65 °F [18 °C], l'écran affiche « OFF ») et maximale de 104 °F (40 °C). Le panneau de contrôle sert également d'indicateur de fonctionnement en utilisant les témoins DEL et les codes d'erreurs programmés.

Durant le fonctionnement normal, le thermostat affiche la température courante de l'eau retournant au chauffe-eau, selon le mode sélectionné, piscine ou spa. C'est avec l'aide d'un capteur thermique sur l'orifice d'alimentation du collecteur d'eau du chauffe-eau et à l'aide du microprocesseur interne qui contrôle le fonctionnement du chauffe-eau.

Changer le réglage de la température de la piscine ou du spa en appuyant sur la flèche appropriée, haut ou bas selon la température désirée, jusqu'à ce qu'elle soit affichée. Par exemple, réglez la température de la piscine à 78 °F (25 °C) et celle du spa à 104 °F (40 °C), lorsque vous relâchez la touche, la température nouvellement programmée clignote une fois à l'écran, puis c'est la température courante qui est affichée.

À tout moment, si vous désirez connaître le réglage de la température de la piscine ou du spa, appuyez tout simplement sur la flèche appropriée, haut ou bas, l'écran clignotera une fois et affichera le réglage pendant trois (3) secondes, clignotera une fois encore, puis affichera à nouveau la température courante.

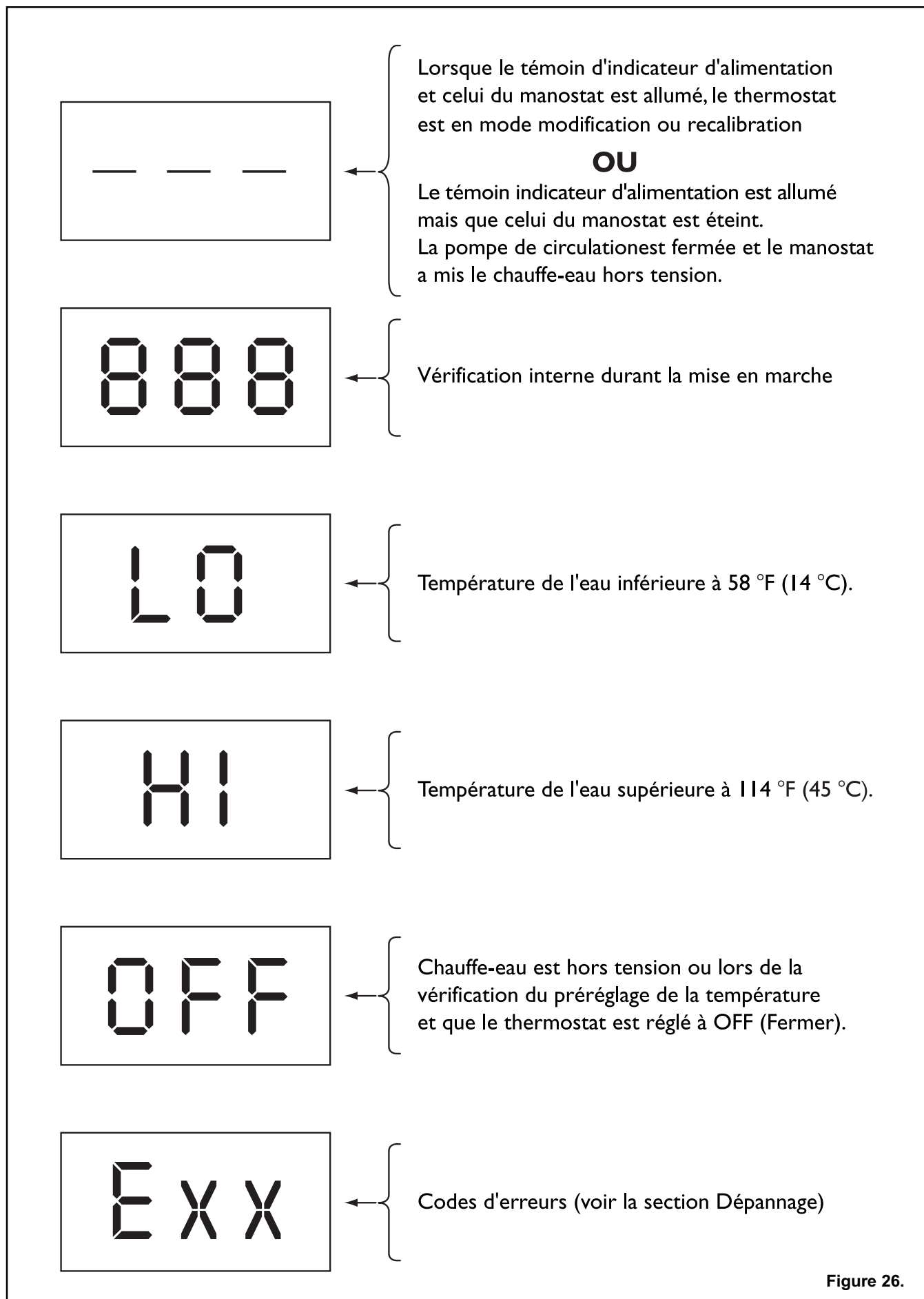


Figure 26.

RÉGLAGE DU THERMOSTAT

Le chauffe-eau MiniMax NT est livré avec les réglages d'usine pour piscine à 78 °F (25 °C), pour spa à 100 °F (37 °C) et en mode arrêt (OFF). Lorsque l'appareil est mis sous tension, le thermostat procède à une vérification interne de ses circuits. Durant cette vérification, l'écran affiche « 888 » en premier, ensuite « --- ». Ce processus dure environ dix (10) secondes. Les témoins DEL « Power » et « Off » s'allument, voir la [figure 26](#).

1. Mettre le chauffe-eau sous tension; l'interrupteur se trouve à l'intérieur du caisson du chauffe-eau, à droite, sur le bas de la boîte de jonction électrique. Le thermostat procédera maintenant à la vérification interne telle qu'explique ci-dessus.
2. Allumer la pompe du système de circulation et s'assurer qu'une quantité d'eau adéquate est acheminée au chauffe-eau; le témoin DEL « PRESSURE SW » s'allume.
3. Si vous utilisez un système de commande à distance avec le chauffe-eau, ouvrez la porte droite du chauffe-eau pour accéder à la partie arrière du thermostat. Trouvez les trois bornes marquées « Pool »(J5), « Spa » (J6) and « Com » (J8). Si le système de commande à distance est à trois fils, branchez le fil de la piscine à la borne J5, branchez le fil du spa à la borne J6 et branchez le fil neutre à la borne J8. Si le système est à deux fils, la télécommande servira à faire fonctionner le chauffe-eau pour la piscine ou la spa. Sélectionnez laquelle des applications vous désirez commander à distance et brancher le fil neutre à la borne J8 et l'autre, soit à J5 ou soit à J6. Refermer bien les portes.

TÉMOINS DEL

Il y a neuf témoins DEL visibles sur le devant du panneau de contrôle du chauffe-eau (cinq sont des indicateurs de système et quatre, des indicateurs de mode) qui aident à comprendre le fonctionnement du chauffe-eau, voir [figure 25](#). Au besoin, les voyants lumineux aideront à localiser un problème éventuel. Quatre autres témoins sont visibles à l'intérieur du panneau de contrôle. Ces témoins transmettent des informations concernant la panne au technicien d'entretien lui permettant de poser un diagnostic.

À droite, sur le devant du thermostat, il y a quatre touches et témoins DEL correspondants, voir [figure 25](#). Les touches vous permettent de sélectionner un des quatre modes et les témoins vous indiquent le mode de fonctionnement en cours : Fermer « Off », « Spa », « Pool » ou à distance « Remote ». Si le chauffe-eau n'est pas branché à un système de commande à distance le mode « Remote » ne sera pas utilisé.

Voici la description des cinq témoins du système :

• ALIMENTATION ÉLECTRIQUE

Ce témoin est constamment allumé, quelle que soit la position du commutateur, et indique qu'un courant de 24 volts a.c. est distribué au circuit de contrôle. S'il ne s'allume pas, aucun autre témoin ne s'allumera. Causes probables :

1. Le courant externe vers le chauffe-eau n'est plus distribué. Vérifier les fusibles du circuit sur le panneau d'entretien;
2. L'interrupteur du circuit local à l'intérieur du transformateur a été court-circuité.

• PRESSURE SW (MANOSTAT)

Le témoin est allumé lorsque le sélecteur « Spa/Pool » est activé, indiquant que la pompe de circulation fonctionne adéquatement. Si le témoin de la pression reste éteint, il est possible que la pompe est perdue son amorce ou que la circulation de l'eau soit entravé par une soupape fermée par inadvertance ou par un filtre ou panier de pompe obstrué. Après vérification, si rien ne fait entrave à la circulation de l'eau, faites appel à un technicien qualifié.

• THERMOSTAT

Ce voyant s'allume quand les pôles du thermostat se ferment et le signal est donné par la température de l'eau qui chute en dessous de la température pré-sélectionnée, le chauffe-eau se rallume alors pour maintenir la température désirée.

• CHALEUR (HEAT)

Le témoin de la chaleur s'allume à chaque fois que le thermostat est sollicité pour faire remonter la température. Cela initialise le circuit d'allumage — le témoin s'allume pour indiquer que la mise à feu des brûleurs principaux est réussie et restera allumé jusqu'à ce que la température de l'eau de la piscine et/ou spa est atteinte.

• ENTRETIEN (SERVICE)

Le témoin d'entretien est éteint tant que le chauffe-eau fonctionne normalement. Le témoin ne s'allume que lorsqu'un problème avec le contrôle s'est déclaré, ou lors du premier allumage du chauffe-eau. Le problème doit être vérifié par un technicien qualifié avant de tenter de rallumer le chauffe-eau.

RÉGLAGE DE LA TEMPERATURE

La température du chauffe-eau est pré-réglé en usine à 78 °F (25 °C) pour le mode piscine « Pool » et à 100 °F (37 °C) pour le mode spa. À l'aide des flèches (haut et bas), il est possible de régler le thermostat jusqu'à une température minimale de 65 °F (18 °C) et maximale de 104 °F (40 °C). Si vous désirez chauffer qu'un des deux plans d'eau, le thermostat permet de passer en mode arrêt (OFF) pour l'autre plan d'eau. Par exemple, si vous désirez chauffer uniquement le spa, appuyez et maintenez enfoncée la flèche vers le bas de la piscine et le thermostat diminuera le réglage de la température à 65 °F (18 °C) et ensuite passera en mode d'arrêt (OFF). Si un système de commande à distance est branché au chauffe-eau, veuillez vous référer aux sections, *Sélection du mode de chauffage et Mode de commande à distance*.

SÉLECTION DU MODE DE CHAUFFAGE

1. **Mode arrêt (OFF)** : Le chauffe-eau ne fonctionnera pas. **NOTE** : Le témoin « **OFF** » affiché sur l'écran d'affichage du thermostat numérique ne signifie pas que le chauffe-eau est hors tension, mais plutôt que le thermostat de la piscine ou du spa est fermé.
2. **Mode Spa** : Le chauffe-eau réchauffera l'eau du spa jusqu'à ce que la température désirée soit atteinte.
3. **Mode Piscine (POOL)** : Le chauffe-eau réchauffera l'eau de la piscine jusqu'à ce que la température désirée soit atteinte.
4. **Mode à distance (REMOTE)** : Le thermostat à affichage numérique est compatible avec des systèmes de commande à distance à deux et à trois fils. Pour utiliser le système de commande à distance, le mode à distance (REMOTE) doit être sélectionné sur le panneau avant. Lorsque ce mode est sélectionné, le témoin DEL s'allume.

COMMANDE À DISTANCE

LE SYSTEME DE COMMANDE A DISTANCE A DEUX FILS est généralement installé et branché au chauffe-eau pour réchauffer l'eau d'un spa. Le système de commande à distance à deux fils est habituellement équipé avec un capteur thermique pour contrôler la température du système en activant ou désactivant le chauffe-eau selon les réglages de la température. Pour chauffer le spa, le système doit être branché aux bornes J6 et J8. Pour chauffer la piscine, le système doit être branché aux bornes J5 et J8. Si le mode à distance (REMOTE) est sélectionné et que le témoin est allumé, le thermostat répond aux dispositifs de fermeture de circuit et le chauffe-eau fonctionnera jusqu'à ce la température réglée soit atteinte.

NOTE : Avec ce type de commande à distance (deux fils), il est possible de commander le chauffe-eau avec son propre système de contrôles et capteurs. Pour ce faire, appuyez et maintenez votre doigt sur la flèche du haut du thermostat à affichage numérique jusqu'à ce que la température maximale de 104 °F (40 °C) soit affichée. Ceci permet au thermostat du système de commande à distance de faire fonctionner le chauffe-eau à toute température en dessous de 104 °F (40 °C). Le thermostat à affichage numérique du chauffe-eau agit alors comme thermostat secondaire au cas où la température de l'eau dépasserait 104 °F (40 °C).

LE SYSTEME DE COMMANDE A DISTANCE A TROIS FILS doit être branché aux bornes J5, J6 et J8. La borne J8 est la borne neutre. Si le chauffe-eau est en mode à distance (REMOTE), le thermostat à affichage numérique contrôle les bornes et répond aux dispositifs de fermeture du circuit entre les bornes J5 et J8 ou entre les bornes J6 et J8. Une fermeture du circuit entre les bornes J5 et J8 entraîne le thermostat à affichage numérique du chauffe-eau à passer au mode piscine (POOL) et à activé le chauffe-eau jusqu'à ce que la température de réglage pour le mode piscine (POOL) soit atteinte. Une fermeture du circuit entre les bornes J6 et J8 entraîne le thermostat à affichage numérique du chauffe-eau à passer au mode spa et à activé le chauffe-eau jusqu'à ce que la température de réglage pour le mode spa soit atteinte. Si seul le spa est chauffé, appuyez sur la flèche du bas jusqu'à ce « **OFF** » soit affiché.

CONSIGNES DE DÉPANNAGE

DÉPANNAGE (THERMOSTAT A AFFICHAGE NUMERIQUE)

L'écran d'affichage du thermostat à affichage numérique possède trois témoins DEL avec un point décimal entre le premier caractère et le second. Cet écran indique également les codes d'erreur dans le cas de défaillance du système de contrôle du chauffe-eau ou d'une défaillance du thermostat. L'écran affiche la température actuelle ou une valeur de réglage ou OFF, tel que sélectionné par l'utilisateur. Lorsque le thermostat détecte une erreur, l'écran affiche « Exx », voir la **figure 26**, où « Exx » est le code d'erreur d'une défaillance du thermostat, voir la Tableau 13. Les codes de 1 à 9 indiquent une erreur qui entraîne le verrouillage temporaire du système, ce qui signifie qu'une fois que les erreurs sont corrigées, le chauffe-eau redémarre et reprend son fonctionnement normal. Le code « ERR » indique une erreur qui entraîne le verrouillage intégral du système, ce qui signifie qu'une fois que les erreurs sont corrigées, vous devez réinitialiser le chauffe-eau à l'aide de l'interrupteur qui se trouve à l'intérieur du caisson du chauffe-eau, à droite, sur le bas de la boîte de jonction électrique afin qu'il redémarre et reprenne son fonctionnement normal.

NOTE : Si le code « ERR » s'affiche sur l'écran, mettre le chauffe-eau hors tension à l'aide de l'interrupteur d'alimentation, et remettre ensuite sous tension. Si le code d'erreur est toujours affiché, faites appel à un technicien qualifié Pentair pour faire la vérification et la réparation du chauffe-eau.

CODE D'ERREUR	SIGNIFICATION DU CODE D'ERREUR
E01	Basse tension du système
E02	Limite de température élevée
E03	Fusible thermique ouvert
E04	Défaillance du ventilateur
E05	Défaillance du système d'allumage
E06	Défaillance de la soupape de gaz module
E07, E08, E09	Pas utilisés
ERR	Contactez le service à la clientèle de Pentair au (800) 831-7133 ou (805) 523-2400

Tableau 13.

CONSIGNES DE DÉPANNAGE

CAUSE PROBABLE	REMÈDE
Le chauffe-eau ne démarre pas	
Le système automatique d'allumage est défaillant	Vérifier que les branchements électriques soient bons et bien fixés. Si OUI, contacter le technicien d'entretien.
La pompe ne fonctionne pas	Mettre la pompe en marche
La pompe à air est verrouillée	Contrôler la présence de fuites
Filtre sale	Nettoyer le filtre
Panier de pompe bouché	Nettoyer le panier
Branchement ou circuit défaillant	Réparer ou remplacer les fils
Commutateur de pression défaillant	Remplacer le commutateur
Contrôles du gaz défaillant	Contacteur le technicien d'entretien
Commutateur ON/OFF en position « OFF »	Mettre en position « ON »
Chauffe-eau à cycle court (Fonctionnement ON et OFF rapide)	
Débit d'eau insuffisant	Nettoyer le filtre et le panier de la pompe.
Fils défectueux	Remplacer les fils
Soupape de débit défectueuse ou mal ajustée	Contacteur le technicien d'entretien
Haute limite et/ou thermostat défectueux	Contacteur le technicien d'entretien
Le chauffe-eau fait des cliquetis, Vérifiez que toutes les soupapes du système sont ouvertes	
Le chauffe-eau fonctionne toujours après l'arrêt de la pompe	Fermer l'arrivée de gaz et contacter le service d'entretien
L'échangeur du chauffe-eau est encrassé	Fermer l'arrivée de gaz et contacter le service d'entretien

VERIFICATIONS D'ENTRETIEN — MODULE D'ALLUMAGE

SYMPTÔMES	CAUSE/ REMÈDE
1. Mort	A. Mauvais branchement B. Mauvais transformateur C. Mauvais interrupteur de fusible/circuit D. Mauvais contrôle
2. Thermostat allumé - pas d'allumage	A. Mauvais branchement B. Mauvais thermostat pas de courant vers le terminal
3. Soupape en place, pas d'allumage	A. Igniteur défectueux B. Mauvais branchement C. Mauvais contrôle (vérifier le voltage au niveau de l'igniteur)
4. Igniteur en marche, pas de réaction de la soupape	A. La bobine de la soupape est ouverte B. Le fil de la soupape est ouvert C. Mauvais contrôle (vérifier le voltage)
5. Flamme OK pendant l'essai d'allumage, pas de détection de flamme après l'essai	A. Détecteur de flamme défectueux B. Mauvais fils C. Peu d'espace au niveau du brûleur D. Flamme trop petite (vérifier l'alimentation de la flamme)

Consignes d'Entretien

Il est recommandé de vérifier les pièces suivantes au moins tous les six mois et au début de chaque nouvelle saison de baignade.

1. Examiner le système de ventilation. Vérifier qu'il n'y a aucune obstruction au débit d'air nécessaire à la combustion et à la ventilation.
2. Examiner visuellement le brûleur principal et le module d'allumage à surface chaude. La flamme doit être bleue. Si elle apparaît jaune, il faut vérifier et nettoyer les brûleurs. Vérifier que le module d'allumage n'est pas endommagé.
3. Examiner l'échangeur de chaleur pour la présence de suie. Nettoyer si nécessaire.
4. Retirer le plateau du brûleur, le nettoyer ainsi que les orifices et les brûleurs eux-mêmes.
5. Ne pas conserver de combustibles ou de liquides inflammables à proximité du chauffe-eau.
6. Vérifier les fils et les connexions électriques. Ils doivent être exempts de saletés et bien serrés.
7. Vérifier la pression de gaz (admission et entrée) telle qu'expliqué dans ce guide.

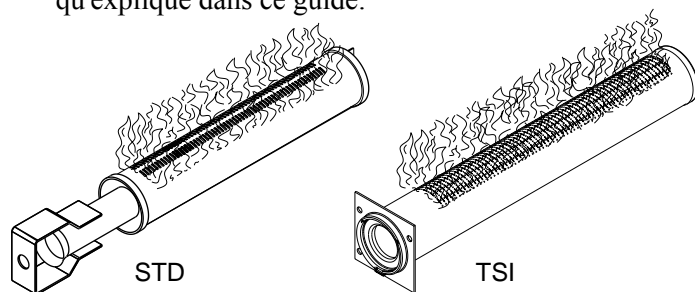


Figure 27.

⚠ ATTENTION !

DÉMONTREZ LA SOUPAPE DE DÉBIT LORSQUE VOUS PERCEZ UN TROU POUR INSTALLER UNE SOUPAPE DE SURPRESSION, VOUS RISQUEZ SINON DE PERCER À TRAVERS LA SOUPAPE.

SOUPAPE DE SURPRESSION

Sur certaines installations, une soupape de surpression est exigée sur le MiniMax NT. Pour installer cette soupape, retirez les

portes d'accès, retirez la soupape de débit, percer soigneusement un trou de 3/8 po au centre du port NPT de 3/4 po (sur la tête principale), en prenant soin de ne percer qu'à travers le mur au bas du port NPT de 3/4 po et pas plus profondément - insérer maintenant la soupape NPT de 3/4 po.

A NOTER : (La version A.S.M.E. est différente de l'illustration. Elle est construite en bronze, et est fournie avec la section IV de l'A.S.M.E, soupape de surpression pré-installée à l'usine.) Vérifiez cette soupape au moins une fois par an en soulevant le levier.

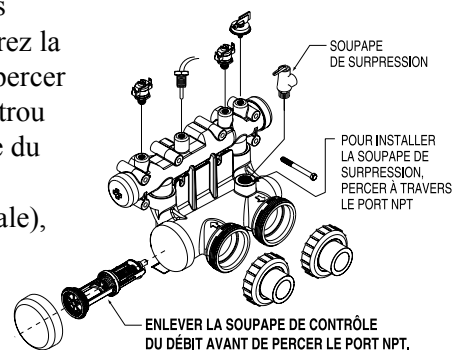
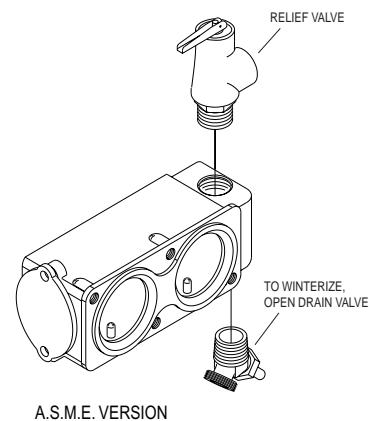


Figure 28.



CONSEILS POUR ÉCONOMIES D'ÉNERGIE

1. Si possible, recouvrir la piscine ou le spa lorsqu'ils ne sont pas utilisés. Cela réduira la facture de chauffage, empêchera les salissures et débris de stagner au fond de la piscine et préservera les produits chimiques.
2. Positionnez le thermostat sur 78 °F ou (25 °C) plus bas. Cette température pour la baignade est reconnue par la Croix Rouge Américaine comme étant la plus sûre pour la santé.
3. Utiliser un thermomètre précis.
4. Une fois le thermostat bien positionné, serrer la manette de verrouillage du thermostat.
5. Programmer l'horloge pour que le système de circulation ne démarre pas avant le lever du jour. La piscine perd moins de chaleur à ce moment-là.
6. Pour les piscines qui ne sont utilisées que le week-end, il n'est pas nécessaire de laisser le thermostat à 78°F (25 °C). Abaisser la température dans un rayon qui peut être facilement atteinte en une journée. Généralement, 10 ou 15°F (-12 ou -9 °C), si le chauffe-eau de la piscine est bien proportionné.
7. Pendant l'hiver ou les vacances, éteindre le chauffe-eau.
8. Etablir un programme régulier d'entretien du chauffe-eau à chaque nouvelle saison de baignade. Vérifier l'échangeur de chaleur, le système de contrôle, les brûleurs, le fonctionnement, etc.

FONCTIONNEMENT AU PRINTEMPS ET EN AUTOMNE

Si la piscine n'est utilisée qu'occasionnellement, ne pas éteindre complètement le chauffe-eau. Mettre le thermostat sur 68°F (20 °C). Cela maintiendra la piscine et la terre environnante à une température assez chaude, et l'on pourra rétablir une température de baignade plus rapidement.

FONCTIONNEMENT EN HIVER

ATTENTION !

- Faire fonctionner ce chauffe-eau, de façon continue, à des inférieure à 68 °F (20 °C), peut entraîner des problèmes liés à la condensation et endommager le chauffe-eau, ce qui pourrait entraîner l'annulation de la garantie.
- Lorsque le chauffe-eau a été vidé de toute eau, il est important de ne pas le redémarrer sans que de l'eau recircule dans ses conduites à nouveau.
- En raison du gel, si de l'eau reste emmagasinée dans l'échangeur d'air ou les collecteurs des dommages à ces derniers pourraient survenir.

Si la piscine ne doit pas être utilisée pendant un mois ou plus, éteindre le chauffe-eau par la soupape de gaz principale. Pour les zones géographiques où l'eau ne risque pas de geler, l'eau doit circuler dans le chauffe-eau toute l'année, même si vous ne chauffez pas la piscine. **Ne pas faire fonctionner le MiniMax NT à l'extérieur, en dessous de 0 °F (-17 °C) pour le gaz propane, et en dessous de - 20° F (-28 °C) pour le gaz naturel.**

En cas de risque de gel, il faut vider le chauffe-eau de son eau. Pour cela, ouvrir la soupape de vidange, située aux collecteurs entrée/sortie, (voir [figure 28](#)), pour permettre la vidange complète du chauffe-eau. On peut utiliser de l'air comprimé pour vidanger l'échangeur de chaleur, ce qui peut être un bon exercice, (**Voir les remarques supplémentaires dans la section *Consignes importantes dans l'Introduction.***)

ÉQUILIBRE CHIMIQUE DE L'EAU

EAU DE PISCINE ET DE SPA

Le chauffe-eau de Pentair Pool Products a été spécialement conçu pour votre piscine ou votre spa, et vous permettra d'apprécier des années d'entretien facile, à condition de maintenir un bon équilibre chimique de l'eau.

Les trois causes principales de défaillances du chauffe-eau sont : un mauvais pH, des résidus de désinfectant, et une alcalinité totale. Si l'équilibre de ces trois facteurs n'est pas maintenu comme il se doit, le chauffe-eau aura une durée de vie plus courte et subira des dommages irréparables.

ATTENTION !

Les dommages faits à l'échangeur de chaleur, en raison d'un mauvais équilibre chimique, ne sont pas couverts par la garantie.

L'EFFET D'UN DÉSINFECTANT

Deux invités indésirables dans sa piscine sont les algues et les bactéries. Pour s'en débarrasser et rendre l'eau propre à la baignade - ainsi que pour en améliorer le goût, l'odeur et la clarté - il faut utiliser certains types de désinfectants.

Chlore et brôme sont approuvés et reconnus dans le monde entier par les autorités sanitaires comme étant des agents désinfectants pour le contrôle des bactéries.

QU'EST-CE QU'UN RÉSIDU DE DÉSINFECTANT ?

Lorsqu'on ajoute du chlore ou du brôme à l'eau de baignade, une part du désinfectant sera consommé pendant la destruction des bactéries, algues et autres matières oxydables. Le désinfectant restant est appelé résidu de chlore ou résidu de brôme. On peut mettre en évidence ce résidu grâce à un test fiable disponible chez votre fournisseur de produits pour piscines.

Il faut maintenir un niveau de résidu suffisant pour assurer une destruction continue des bactéries et virus introduits dans l'eau par les nageurs, mais aussi par l'air, la poussière, la pluie et les autres facteurs de propagation.

Il est sage de contrôler l'eau de baignade régulièrement. Le niveau résiduel de chlore ne doit pas descendre en dessous de 0,6 ppm (pièces par million). Le niveau résiduel minimum pour une action efficace est de l'ordre de 1,4 ppm.

pH — ce terme fait référence à l'équilibre acide/basique (alcalin) de l'eau et s'exprime sur une échelle allant de 0 à 14. Un test de mesure du pH est disponible chez votre fournisseur de produits pour piscines ; voir tableau 14.

Tableau 14. Échelle de pH

Très Acide			Neutre					Très Alcalin						
0	1	2	3	4	5	6	7	8	9	10	11	12	13	14

L'acide chlorhydrique a un pH égal à 0. Une eau pure a un pH de 7 (neutre). Une solution de lessive faible a un pH égal à 13-14.

LA RÈGLE : le pH doit être maintenu entre 7,4 et 7,6. Il est primordial de respecter un pH adéquat, voir tableau 15.

Si le pH devient trop élevé (alcalin), les effets suivants seront constatés :

1. Réduit la puissance de destruction des bactéries et des algues du chlore.
2. L'eau devient trouble.
3. Le risque de formation de moisissure sur le plâtre et l'échangeur de chaleur est accru.
4. Les particules du filtre peuvent se bloquer.

Si le pH est trop faible (plus acide), on peut rencontrer les effets suivants :

1. Brûlure importante des yeux et irritation de la peau.
2. Erosion du plâtre par la force de l'eau.
3. Corrosion des fixations métalliques du système de filtration et de recyclage, ce qui peut faire des tâches marrons, bleues, vertes, ou parfois presque noires, sur le plâtre.
4. Corrosion du cuivre dans le chauffe-eau, ce qui peut causer des fuites.
5. Si vous possédez un filtre pour le gravier et le sable, sulfate d'aluminium utilisé dans le filtre peut se dissoudre et passer à travers le filtre.

ATTENTION ! : ne pas tester le pH lorsque le taux résiduel du chlore est égal ou supérieur à 3.0ppm, ou 6.0ppm pour le bromine. Demander l'aide de votre fournisseur de produits pour piscines pour établir le bon équilibre chimique de l'eau.

LA RÈGLE : Les produits chimiques acides abaissent le pH et les produits alcalins l'élèvent.

Tableau 15. Tableau de Contrôle du pH

Si le pH est entre 6,8 et 7,0	pH égal à 7,2	pH entre 7,4 et 7,6	pH égal à 7,8	pH entre 8,0 et 8,2 et 8,4
Ajouter de la Soude, de la Cendre ou du Bicarbonate de Sodium	Marginal	Idéal	Marginal	Ajouter de l'Acide

ACALINITÉ Haut ou Bas

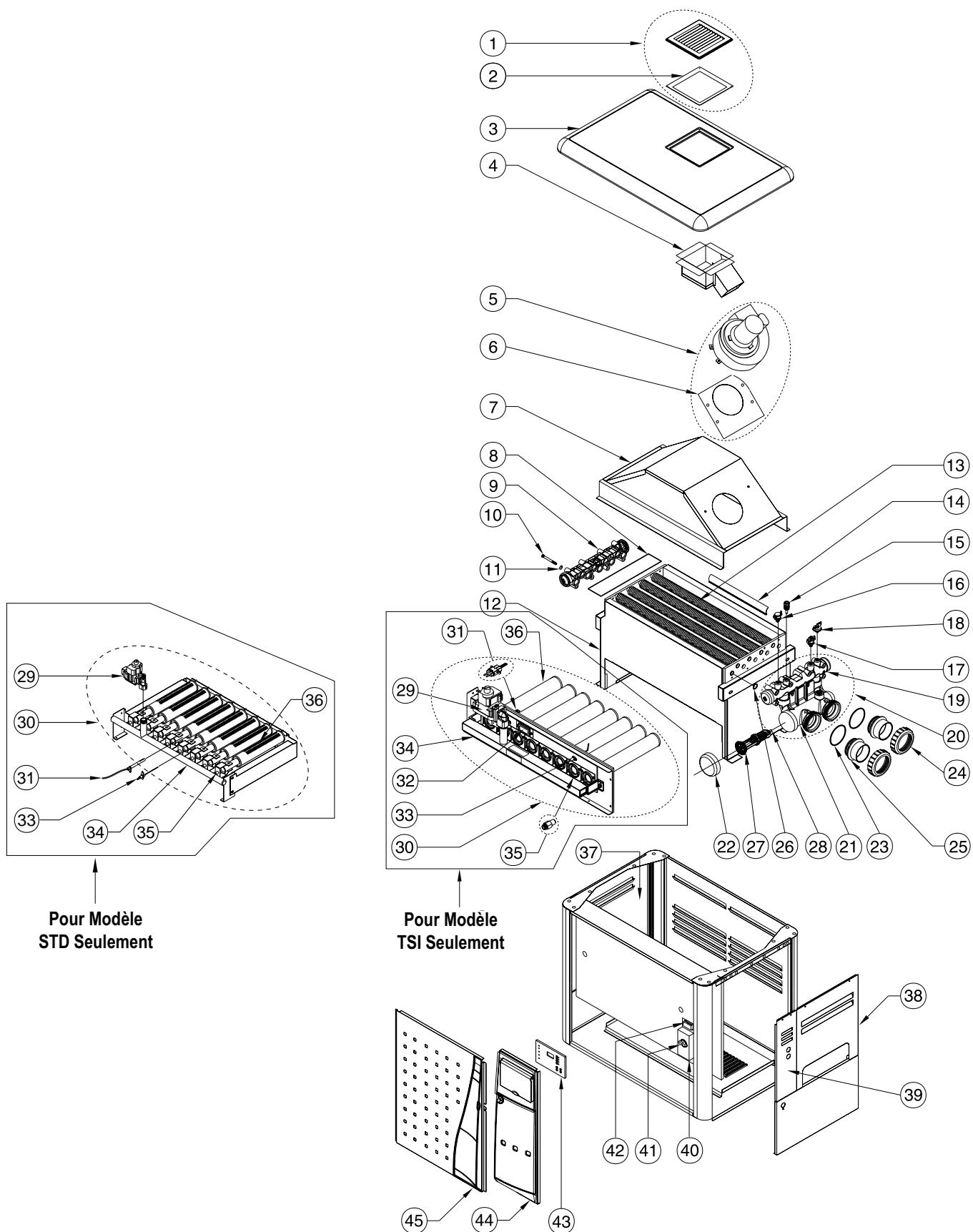
« L'alcalinité Totale » est la mesure de la quantité totale de produits chimiques alcalins contenue dans l'eau, et maintient le pH à un bon niveau. (On ne parle pas du même pH, qui fait simplement référence à l'équilibre relatif d'acidité/alcalinité). L'alcalinité totale de la piscine doit être de 100-140 ppm pour permettre un contrôle de pH plus facile.

Un test d'alcalinité totale est simple à réaliser à l'aide d'un ensemble fiable. Il faudra faire ce test au moins une fois par semaine et faire les ajustements qu'il convient jusqu'à ce que l'alcalinité atteigne un niveau acceptable. Par la suite, conduire ce test environ une fois par mois pour s'assurer que ce même niveau est maintenu. Demander l'aide de votre fournisseur de produits pour piscines pour établir le bon équilibre chimique de l'eau.

PIÈCES DE REMPLACEMENT

NT STD avec DDTC — (tous Modèles)

NT TSI avec DDTC — (Modèles 200, 250 et 300)



PIÈCES DE RECHANGE — NT STD/THERMOSTAT À AFFICHAGE NUMÉRIQUE

Item	Description	Quantity	200	250	300	400
1	Grille d'échappement, avec joint	1	472352			
2	Joint, Grille d'échappement	1	471701			
3	Couvercle du sommet, avec piquets	1	472353	472354	472355	472356
4	Montage de la grille	1	472373	472376	472373	
5	Souffleur, avec joint	1	472361	472362		472374
6	Joint, Souffleur	1	471610			
7	Accumulateur de conduite	1	472008	472007	472006	472005
8	Tête d'isolation, haute limite	1	472270			
9	Collecteur de retour	1	471991			
10	Boulon, échangeur de chaleur	16	471622			
11	Rondelle d'étanchéité, échangeur de chaleur	16	072184			
12	Boîte du module d'allumage	1	471904	471835	471922	472332
13	Échangeur de chaleur, avec collecteurs	1	471910	471785	471928	471838
	Échangeur de chaleur, sans collecteurs	1	471933	471934	471935	471936
14	Défecteur, échangeur de chaleur	8 / 16 (200, 250, 300 / 400)	471642	471641	471896	471640
15	Capteur thermique	1	471566			
16	Thermostat haute limite - 115 °F (46 °C)	1	471587			
17	Thermostat haute limite - 150 °F (66 °C)	1	471694			
18	Commut. de pression d'eau	1	472125			
19	Montage sous-collecteur supérieur principal d'entrée/sortie	1	472363			
20	Montage du collecteur principale d'entrée/sortie	1	471992			
21	Montage sous-collecteur inférieur principal d'entrée/sortie	1	472364			
22	Bouchon, montage sous-collecteur inférieur principal d'entrée/sortieAdaptateur	1	471420			
23	Joint annulaire, adaptateur	2	274494			
24	Adaptateur, traversée de cloison	2	274440			
25	Adaptateur, traversée de cloison 2 po	2	471441			
26	Joint, tube à valvule, joint	18	070951			
27	Ensemble de soupape de réglage	1	471750			
28	Train thermostatique, soupape de réglage	1	472330			
29	Soupape de gaz, Gaz Naturel	1	471601			
	Soupape de gaz, Propane		471671			
30	Montage du plateau de brûleur de gaz naturel	1	472042	472037	472033	472028
	Montage du plateau de brûleur de propane		471907	471913	471925	471931
31	Module d'allumage	1	471602			
32						
33	Détecteur de flamme	1	471603			
34	Admission de gaz avec orifices, pour gaz naturel (0-600m)	1	472023	472022	472021	472020
	Admission de gaz avec orifices, pour gaz propane (0-600m)		472027	472026	472025	472024
35	Orifices, pour gaz naturel (0-600m)	4 / 5 / 6 / 8	073727			
	Orifices, pour gaz propane (0-600m)	(200 / 250 / 300 / 400)	073728			
36	Brûleur simple	2 / 3 / 4 / 6 (200 / 250 / 300 / 400)	070230			
	Brûleur avec support	2	471970			
37	Gaine, Panneau supérieur, gauche	1	471575			
38	Gaine, Panneau supérieur, droit	1	471576			
39	Gaine, embase supérieur	2	471767			
40	Montage de la boîte de jonction	1	472505			
41	Commutateur de pression d'air, (0-1200m)	1	472178	472180	472181	472183
42	Module, contrôle de l'allumage	1	472447			
43	Montage du contrôleur de température	1	472100			
44	Montage de la porte droite avec contrôleur	1	471727			
	Montage de la porte gauche sans contrôleur	1	472372			
45	Montage de la porte gauche	1	471900	472318	471918	471726
NA	Arrêt thermique (non illustré)	1	075173			
NA	Transformateur, 40 VA (non illustré)	1	471571			
NA	Ensemble de câbles (non illustré)	1	472506			
NA	Adaptateur pour ventilation intérieure (voir page 56)	1	460506 (4") / 460507 (5")			

A noter : Les certaines pièces pour l'ASME et la haute altitude ne sont pas listées ci-dessus, merci de contacter notre service clients pour plus de précisions.

PIÈCES DE RECHANGE—NT TSI/THERMOSTAT À AFFICHAGE NUMÉRIQUE

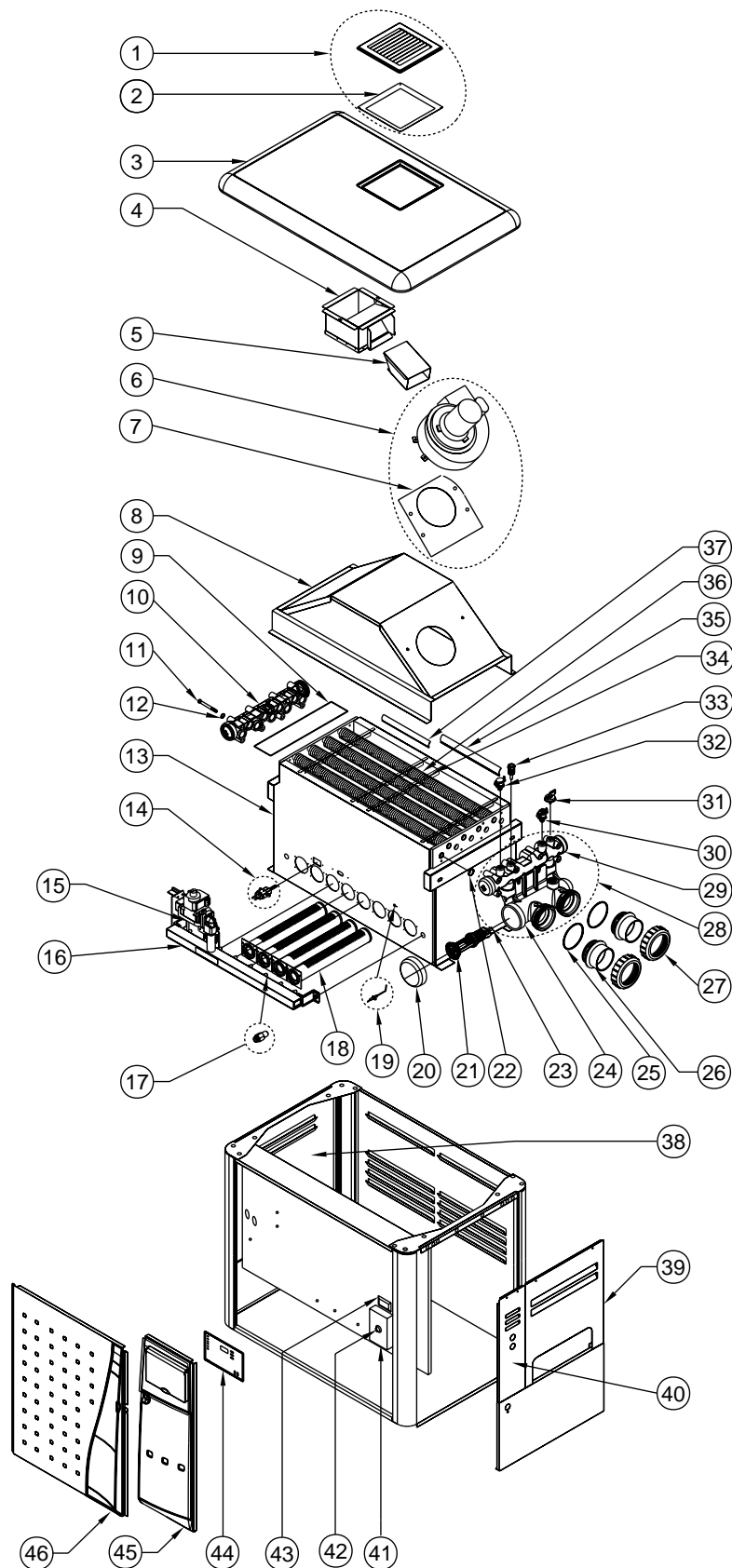
Item	Description	Quantity	200	250	300	400★
1	Grille d'échappement, avec joint	1	472352			
2	Joint, Grille d'échappement	1	471701			
3	Couvercle du sommet, avec piquets	1	472353	472354	472355	472356
4	Montage de la grille	1	472357	472358	472359	472358
5	Souffleur, avec joint	1	472361		472362	
6	Joint, Souffleur	1	471610			
7	Accumulateur de conduite	1	472008	472007	472006	472005
8	Tête d'isolation, haute limite	1	472270			
9	Collecteur de retour	1	471991			
10	Boulon, échangeur de chaleur	16	471622			
11	Rondelle d'étanchéité, échangeur de chaleur	16	072184			
12	Boîte du module d'allumage	1	471904	471835	471922	472332
13	Échangeur de chaleur, avec collecteurs	1	471910	471785	471928	471838
	Échangeur de chaleur, sans collecteurs	1	471933	471934	471935	471936
14	Défecteur, échangeur de chaleur	8 / 16 (200, 250, 300 / 400)	471642	471641	471896	471640
15	Capteur thermique	1	471566			
16	Thermostat haute limite - 115 °F (46 °C)	1	471587			
17	Thermostat haute limite - 150 °F (66 °C)	1	471694			
18	Comm. de pression d'eau	1	472125			
19	Montage sous-collecteur supérieur principal d'entrée/sortie	1	472363			
20	Montage du collecteur principale d'entrée/sortie	1	471992			
21	Montage sous-collecteur inférieur principal d'entrée/sortie	1	472364			
22	Bouchon, montage sous-collecteur inférieur principal d'entrée/sortieAdaptateur	1	471420			
23	Joint annulaire, adaptateur	2	274494			
24	Adaptateur, traversée de cloison	2	274440			
25	Adaptateur, traversée de cloison 2 po	2	471441			
26	Joint, tube à valve, joint	18	070951			
27	Ensemble de soupape de réglage	1	471750			
28	Train thermostatique, soupape de réglage	1	472330			
29	Soupape de gaz, Gaz Naturel	1	472430			
30	Montage du plateau de brûleur	1	472366	472367	472368	472369
31	Module d'allumage	1	472216			
32	Attache de vitre de fenêtre		472370			
33	Détecteur de flamme	1	471603			
34	Admission de gaz avec orifices, (0-1200m)	1	472285	472286	472287	472288
35	Orifices, pour gaz (0-1200m)	4 / 5 / 6 / 8 (200 / 250 / 300 / 400)	472263			
36	Brûleur	4 / 5 / 6 / 8 (200 / 250 / 300 / 400)	472211			
37	Gaine, Panneau supérieur, gauche	1	471575			
38	Gaine, Panneau supérieur, droit	1	471576			
39	Gaine, embase supérieur	2	471767			
40	Montage de la boîte de jonction	1	472505			
41	Commutateur de pression d'air, (0-1200m)	1	472178	472179	472182	
42	Module, contrôle de l'allumage	1	472150			
43	Montage du contrôleur de température	1	472100			
44	Montage de la porte droite avec contrôleur	1	472087			
	Montage de la porte gauche sans contrôleur	1	472097			
45	Montage de la porte gauche	1	471900	472318	471918	471726
NA	Arrêt thermique (non illustré)	1	075173			
NA	Transformateur, 40 VA (non illustré)	1	471571			
NA	Ensemble de câbles (non illustré)	1	472506			
NA	Adaptateur pour ventilation intérieure (voir page 56)	1	460506 (4") / 460507 (5")			

★
Pièces de
Rechange pour
la Série de
modèles 400
sont pour les
modèles
fabriqués avant
le numéro de
série 12040039

A noter : Les pièces pour l'ASME et la haute altitude (supérieure à 1200m) ne sont pas listées ci-dessus, merci de contacter notre service clients pour plus de précisions.

PIÈCES DE REMPLACEMENT

NT TSI avec DDTC — (Modèle 400 — *Commençant avec le numéro de série 12040039*)



Pièces de Rechange — NT TSI — (Modèles 400)			
En commençant par le numéro de série 12040039			
Unité	Désignation	Qté	No. de pièce
1	Grille d'échappement avec joint	1	472352
2	Joint, grille d'échappement	1	471701
3	Couvercle du sommet, avec piquets	1	472356
4	Montage de la grille	1	472144
5	Conduit d'évacuation	1	472259
6	Souffleur avec joint	1	472480
7	Joint, souffleur	1	471610
8	Accumulateur de conduite	1	472005
9	Tête d'isolation haute limite	1	472270
10	Assemblage collecteur de retour	1	471991
11	Boulon, échangeur de chaleur	16	471622
12	Rondelle, échangeur de chaleur	16	072184
13	Boîte du module d'allumage	1	472476
14	Module d'allumage	1	472477
15	Soupape à gaz- Gaz naturel	1	472430
16	Tubulure d'admission du gaz avec orifices, (0-1200m)	1	472262
17	Orifice à gaz, 0- 4000'	8	472434
18	Brûleur	8	472211
19	Détecteur de flamme	1	472251
20	Bouchon, montage sous-collecteur inférieur principal d'entrée/sortie adaptateur	1	471420
21	Ensemble de soupape de réglage	1	471750
22	Joint, tube à valvule, joint	18	070951
23	Train thermostatique, soupape de réglage	1	472330
24	Montage sous-collecteur inférieur principal d'entrée/sortie	1	472364
25	Joint annulaire, adaptateur	2	274494
26	Adaptateur, traversée de cloison 2 pounces	2	471441
27	Adaptateur, traversée de cloison	2	274440
28	Montage du collecteur principal d'entrée/sortie	1	471992
29	Montage sous-collecteur supérieur principal d'entrée/sortie	1	472363
30	Thermostat haute limite, température de l'eau, 150° F. (66 °C)	1	471694
31	Interrupteur de pression d'eau	1	472125
32	Thermostat haute limite, température de l'eau, 115° F. (46° C)	1	471587
33	Sonde à thermistance	1	471566
34	Console, maintiens de déflecteur	4	472329
35	Déflecteur, échangeur de chaleur	16	472301
36	Echangeur de chaleur avec collecteurs	1	471838
	Echangeur de chaleur sans collecteurs	1	471936
37	Déflecteur latéral, échangeur de chaleur	4	472303
38	Gaine isolante, panneau supérieure, gauche	1	471575
39	Gaine isolante, panneau inférieur, droite	1	471576
40	Gaine isolante, plaque annexe supérieure	2	471767
41	Montage de la boîte de jonction	1	472505
42	Commutateur de pression d'air, (0-1200m) (Non montre)	1	472481
43	Module, contrôle de l'allumage	1	472150
44	DDTC, Montage du contrôleur de température	1	472100
45	Montage de la porte droite avec contrôleur	1	472087
	Montage de la porte droite sans contrôleur	1	472372
46	Montage de la porte gauche	1	471726
N/A	Arrêt thermique (Non montrée)	1	075173
N/A	Transformateur, 40 VA (Non montré)	1	471571
N/A	Assemblage pour câblage harnaché (Non montré)	1	472506
N/A	Adaptateur pour ventilation intérieure, (12.7 cm) (Voir page 56)	1	460507

Note: Les pièces pour ASME et haute altitude (plus de 4000 pieds) ne sont pas présentées ci-dessus, veuillez contacter notre service clients pour plus de renseignements.

VEUILLEZ CONSERVER CE GUIDE D'INSTRUCTION.

Pentair Water Pool and Spa, Inc.

1620 Hawkins Ave., Sanford, NC 27330 • (919) 566-8000

10951 W. Los Angeles Ave., Moorpark, CA 93021 • (805) 523-2400



*Parce que la **fiabilité**, c'est le plus important*

Free Manuals Download Website

<http://myh66.com>

<http://usermanuals.us>

<http://www.somanuals.com>

<http://www.4manuals.cc>

<http://www.manual-lib.com>

<http://www.404manual.com>

<http://www.luxmanual.com>

<http://aubethermostatmanual.com>

Golf course search by state

<http://golfingnear.com>

Email search by domain

<http://emailbydomain.com>

Auto manuals search

<http://auto.somanuals.com>

TV manuals search

<http://tv.somanuals.com>