

## Get it fixed, at your home or ours!

### Your Home

For troubleshooting, product manuals and expert advice:



[www.managemylife.com](http://www.managemylife.com)

For repair – **in your home** – of **all** major brand appliances, lawn and garden equipment, or heating and cooling systems, **no matter who made it, no matter who sold it!**

For the replacement parts, accessories and owner's manuals that you need to do-it-yourself.

For Sears professional installation of home appliances and items like garage door openers and water heaters.

**1-800-4-MY-HOME®** Call anytime, day or night  
(1-800-469-4663) (U.S.A. and Canada)  
[www.sears.com](http://www.sears.com) [www.sears.ca](http://www.sears.ca)

### Our Home

For repair of carry-in items like vacuums, lawn equipment, and electronics, call anytime for the location of the nearest **Sears Parts & Repair Service Center**

**1-800-488-1222** (U.S.A.) **1-800-469-4663** (Canada)  
[www.sears.com](http://www.sears.com) [www.sears.ca](http://www.sears.ca)

To purchase a protection agreement on a product serviced by Sears:

**1-800-827-6655** (U.S.A.) **1-800-361-6665** (Canada)

Para pedir servicio de reparación a domicilio, y para ordenar piezas: Au Canada pour service en français:

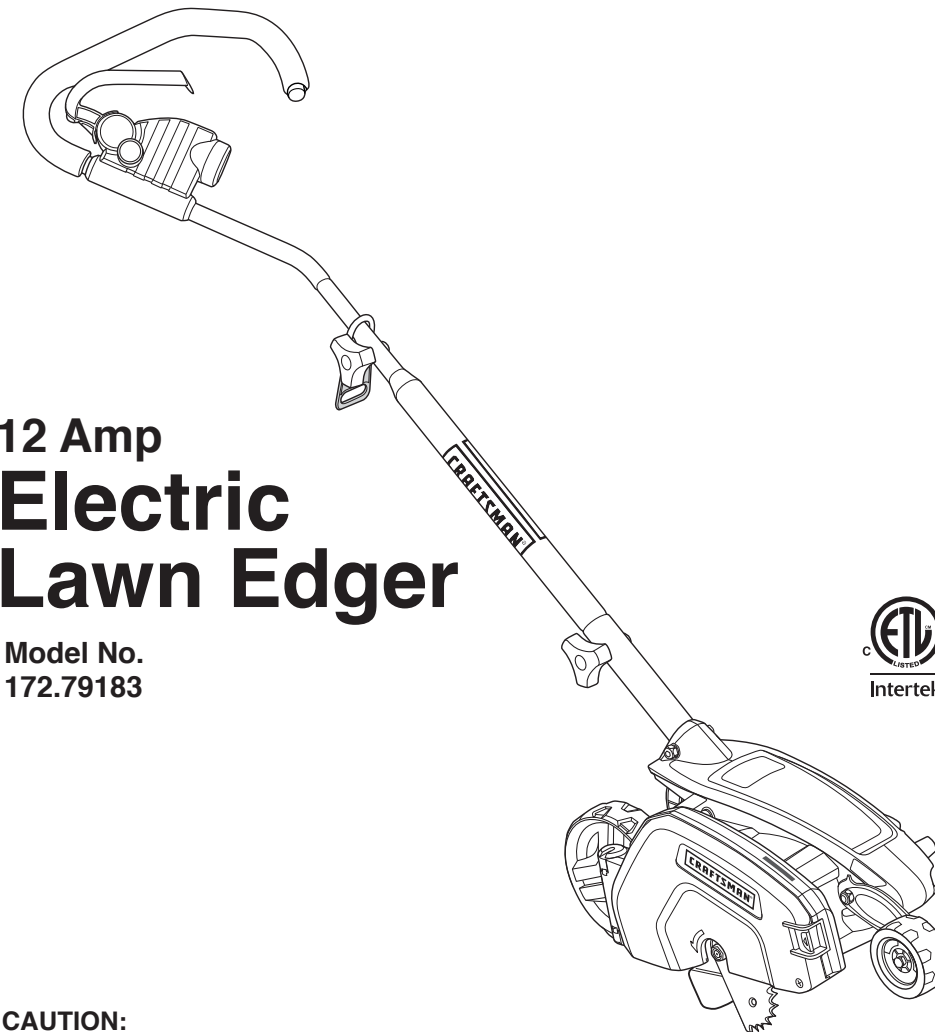
**1-888-SU-HOGAR®** (1-888-784-6427) [www.sears.com](http://www.sears.com)  
**1-800-LE-FOYER<sup>MC</sup>** (1-800-533-6937) [www.sears.ca](http://www.sears.ca)

# Sears

® Registered Trademark / <sup>TM</sup> Trademark of KCD IP, LLC in the United States, or Sears Brands, LLC in other countries  
© Marca Registrada / <sup>TM</sup> Marca de Fábrica de KCD IP, LLC en Estados Unidos, o Sears Brands, LLC in otros países  
<sup>MC</sup> Marque de commerce / <sup>MD</sup> Marque déposée de Sears Brands, LLC

## Operator's Manual

# CRAFTSMAN®



## 12 Amp Electric Lawn Edger

Model No.  
172.79183



### CAUTION:

Read, understand and follow all Safety Rules and Operating Instructions in this Manual before using this product.

Sears Brands Management Corporation,  
Hoffman Estates, IL 60179 U.S.A.  
[www.craftsman.com](http://www.craftsman.com)

- WARRANTY
- SAFETY
- ASSEMBLY
- OPERATION
- MAINTENANCE
- PARTS LIST

## TABLE OF CONTENTS

Warranty.....	Page 2
Safety Symbols.....	Page 3
Safety Instructions.....	Pages 4 - 9
Unpacking.....	Page 10
Description.....	Pages 11 - 12
Assembly and Adjustments.....	Pages 13 - 16
Operation.....	Pages 17 - 22
Maintenance.....	Pages 23 - 24
Parts List.....	Pages 25 - 27

### CRAFTSMAN TWO YEAR FULL WARRANTY

FOR TWO YEARS from the date of purchase, this product is warranted against any defects in material or workmanship. Defective product will be replaced free of charge.

For warranty coverage details or to obtain free replacement, visit the web site: [www.craftsman.com](http://www.craftsman.com)

This warranty does not cover the blade, which is an expendable part that can wear out from normal use within the warranty period.

This warranty is void if this product is ever used while providing commercial services or if rented to another person.

This warranty gives you specific legal rights, and you may also have other rights which vary from state to state.

Sears Brands Management Corporation, Hoffman Estates, IL 60179

**⚠ WARNING:** Some dust created by using lawn and garden power tools contains chemicals known to the State of California to cause cancer and birth defects or other reproductive harm.

**SAVE THESE INSTRUCTIONS!  
READ ALL INSTRUCTIONS!**

## SAFETY SYMBOLS

The purpose of safety symbols is to attract your attention to possible dangers. The safety symbols, and the explanations with them, deserve your **careful attention and understanding**. The symbol warnings **DO NOT** by themselves eliminate any danger. The instructions and warnings they give are no substitutes for proper accident prevention measures.

**⚠ WARNING:** BE SURE to read and understand all safety instructions in this manual, including all safety alert symbols such as "DANGER", "WARNING" and "CAUTION", BEFORE using this tool. Failure to follow all instructions listed below may result in electric shock, fire and/or serious personal injury.

### SYMBOL MEANING

**⚠ SAFETY ALERT SYMBOL:** Indicates DANGER, WARNING, OR CAUTION. May be used in conjunction with other symbols or pictographs.

**⚠ DANGER** Failure to obey this safety warning **WILL** result in death or serious injury to yourself or to others. Always follow the safety precautions to reduce the risk of fire, electric shock and personal injury.

**⚠ WARNING** Failure to obey this safety warning **CAN** result in death or serious injury to yourself or to others. Always follow the safety precautions to reduce the risk of fire, electric shock and personal injury.

**⚠ CAUTION** Failure to obey this safety warning **MAY** result in personal injury to yourself or others or property damage. Always follow the safety precautions to reduce the risk of fire, electric shock and personal injury.

### DAMAGE PREVENTION AND INFORMATION MESSAGES

These inform user of **important information and/or instructions** that could lead to equipment or other property damage if not followed. Each message is preceded by the word "NOTE:" as in the example below:

**NOTE:** Equipment and/or property damage may result if these instructions are not followed.



**⚠ WARNING:** The operation of any edger can result in foreign objects being thrown into your eyes, which can result in severe eye damage. Before beginning power tool operation, **ALWAYS** wear safety goggles or safety glasses with side shields and a full-face shield when needed. We recommend a Wide Vision Safety Mask for use over eyeglasses or standard safety glasses with side shields, available at Sears Stores or other Craftsman Outlets.

## SAFETY INSTRUCTIONS

**⚠ WARNING:** if correctly used, this electric Edger is an easy to handle and efficient tool; if used improperly or without the due precautions it could become a dangerous tool. For pleasant and safe work, **ALWAYS** strictly comply with the safety rules that are contained in this manual.

**⚠ WARNING:** **BE SURE** to read and understand all instructions in this manual before using this electric Edger. Failure to follow all instructions listed below may result in electric shock, fire and/or serious personal injury.

**⚠ WARNING:** To avoid mistakes that could cause serious injury, **DO NOT** plug in this tool until the following instructions have been read and understood.

### WORK AREA SAFETY

1. **ALWAYS** avoid dangerous conditions. **DO NOT** use in wet or damp areas or expose to rain.
2. **DO NOT** operate in the presence of flammable liquids, gases, or dust. Electric tools create sparks which may ignite dust or fumes.
3. **ALWAYS** keep bystanders and visitors at a safe distance while operating an Edger. **NEVER** allow children near the tool. Flying objects can injure anyone in the area.
4. **CHILDPROOF** your tools with padlocks and master switches. Lock tools away when not in use. This Edger is not a toy.
5. **DO NOT** use the Edger without adequate lighting. **ALWAYS** make sure that you can see what you are edging.
6. **BEFORE** using the Edger, remove any stones, sticks, debris or objects that could be entangled in or thrown by the Edger.

### PERSONAL SAFETY

**⚠ WARNING:** The operation of any Edger can result in **FOREIGN OBJECTS BEING THROWN**, which can result in personal injury or property damage. **ALWAYS** use proper safety equipment.

1. **KNOW your tool.** Read the operator's manual carefully. Learn the electric Edger's applications and limitations, as well as the specific potential hazards related to this tool.
2. **STAY ALERT**, watch what you are doing and use common sense when operating this tool.
3. **DO NOT use tool while tired** or under the influence of drugs, alcohol or medication. A moment of inattention while operating this tool may result in serious personal injury.
4. **DRESS properly.** Wear rubber gloves and substantial rubber soled footwear when working outdoors. **DO NOT** operate lawn and garden tools when barefoot or wearing open sandals. Wear long pants and long sleeves to protect your legs and arms. Edgers can pick up objects such as rocks and send them flying at fast speeds. **DO NOT** wear loose clothing or jewelry. Keep your hair, clothing, and gloves away from moving parts. Loose clothing or long hair can be caught in moving parts.

4

## SAFETY INSTRUCTIONS cont.

### PERSONAL SAFETY cont.

5. **USE SAFETY EQUIPMENT.** Always wear safety goggles or safety glasses with side shields or full face shield, proper work shoes with rubber non-slip soles, heavy-duty non-slip rubber gloves and dust mask or respirator and hearing protection. Hard hat should be used for appropriate conditions.
6. **DO NOT overreach.** Keep proper footing and balance at all times. Proper footing and balance enables better control of the tool in unexpected situations.

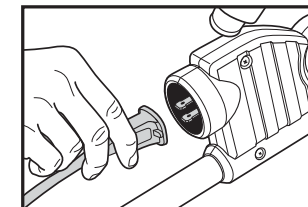
### TOOL USE AND CARE SAFETY

**⚠ WARNING:** **BE SURE** to read and understand all instructions before operating this tool. Failure to follow all instructions listed below may result in electric shock, fire and/or serious personal injury.

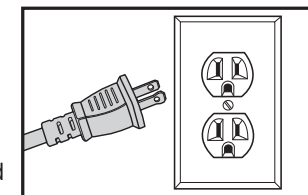
1. **DO NOT** use the tool if switch does not turn it "On" or "Off". Any tool that cannot be controlled with the switch is dangerous and must be repaired.
2. **DISCONNECT** the plug from the power source before making any adjustments, changing accessories, or storing the tool. Such preventive safety measures reduce the risk of starting the tool accidentally.
3. **STORE** idle tools out of the reach of children and other untrained persons. **Children MUST NOT** operate the tool. Tools are dangerous in the hands of untrained users.
4. **MAINTAIN** tools with care. **ALWAYS** keep cutting tools clean and in good working order.
5. **CHECK** for misalignment or binding of moving parts, breakage of parts, and any other condition that may affect the tool's operation. **If damaged**, have the tool serviced before using. Many accidents are caused by poorly maintained tools.
6. **USE ONLY** cutting blades that are recommended for this Edger. Blades that may be suitable for one Edger may become hazardous when used on another Edger.

### ELECTRICAL SAFETY

**⚠ WARNING:** Do not permit fingers to touch the terminals of plug when installing or removing the extension cord from the plug.



1. Double insulated tools are equipped with a polarized plug (one blade is wider than the other and will require the use of a polarized extension cord). The Edger's plug will fit into a polarized extension cord only one way. If the plug does not fit fully into the extension cord, reverse the plug. If the plug still does not fit, obtain a correct polarized extension cord. A polarized extension cord will require the use of a polarized wall outlet. This plug will fit into the polarized wall outlet only one way. If the plug does not fit ifit fully into the wall outlet, reverse the plug. If the plug still does not fit, contact a qualified electrician to install the proper outlet. **Do not change or alter** the equipment plug, extension cord receptacle, or extension cord plug in any way.



2. Double insulation  eliminates the need for the three-wire grounded power cord and grounded power supply system. Applicable only to Class II (double-insulated) tools. This Edger is a double insulated tool.

5

## SAFETY INSTRUCTIONS cont.

### ELECTRICAL SAFETY cont.

**⚠ WARNING:** GFCI (Ground Fault Circuit Interrupter) protection should be provided on all circuits or outlets to be used for electric lawn and garden power tools. Receptacles are available having built-in GFCI protection and should be used for this measure of protection.

**⚠ WARNING:** Double insulation DOES NOT take the place of normal safety precautions when operating this tool.

3. **BEFORE** plugging in the tool, **BE SURE** that the outlet voltage supplied is within the voltage marked on the tool's data plate. **DO NOT** use "AC only" rated tools with a DC power supply.
4. **DO NOT** expose tools to rain or wet conditions or use electric tools in wet or damp locations. Water entering an electric tool will increase the risk of electric shock.
5. **If operating an electric tool in damp locations is unavoidable, ALWAYS USE a Ground Fault Circuit Interrupter to supply power to your tool. ALWAYS WEAR electrician's rubber gloves and footwear in damp conditions.**
6. When operating a power tool outside, **ALWAYS** use an outdoor extension cord marked "W-A" or "W". these cords are rated for outdoor use and reduce the risk of electric shock.
7. **INSPECT** tool cords for damage. Have damaged tool cords repaired at a Sears Service Center. **BE SURE** to stay constantly aware of the cord location and keep it well away from the cutting blade.
8. **DO NOT** abuse the extension cord. **NEVER** use the cord to carry the tool by or to pull the plug from the outlet. Keep cord away from heat, oil, sharp edges or moving parts. Replace damaged cords immediately. Damaged cords increase the risk of electric shock.

### EXTENSION CORDS

**Use a proper extension cord. ONLY** use cords listed by Underwriters Laboratories (UL). Other extension cords can cause a drop in line voltage, resulting in a loss of power and overheating of tool.

For this tool an AWG (American Wire Gauge) size of a least 14-gauge is recommended for an extension cord of 25-ft. or less in length. Use 12-gauge for an extension cord of 50-ft. **Extension cords 100-ft. or longer are not recommended.**

Remember, a **smaller wire gauge size has greater capacity than a larger number** (14-gauge wire has more capacity than 16-gauge wire; 12-gauge wire has more capacity than 14-gauge). When in doubt use the smaller number.

When operating a power tool outdoors, use an outdoor extension cord marked "W-A" or "W". These cords are rated for outdoor use and reduce the risk of electric shock.

**⚠ CAUTION:** Keep the extension cord clear of the work area. Position the cord so that it will not get caught on bushes, hedges, tree trunks, lawnmowers or other obstructions while you are working with the Edger.

## SAFETY INSTRUCTIONS cont.

### EXTENSION CORDS cont.

**⚠ WARNING:** Check extension cords before each use. If damaged replace immediately. Never use tool with a damaged cord since touching the damaged area could cause electrical shock, resulting in serious injury.

### SAFETY SYMBOLS FOR YOUR TOOL

The label on your tool may include the following symbols.

V.....	Volts
A.....	Amps
Hz.....	Hertz
W.....	Watts
min.....	Minutes
~.....	Alternating current
—.....	Direct current
n <sub>o</sub> .....	No-load speed
□.....	Class II construction
.../min.....	Revolutions or Strokes per minute
⚠.....	Indicates danger, warning or caution. It means attention! Your safety is involved.

### SERVICE SAFETY

1. **If any part of this Edger is missing or should break, bend, or fail in any way; or should any electrical component fail to perform properly: SHUT OFF** the power switch and remove the power cord from the Edger and have the missing, damaged or failed parts replaced **BEFORE** resuming operation.
2. **Tool service should be performed at a Sears Parts and Repair Center** or other qualified service dealer. Service or maintenance performed by unqualified personnel could result in a risk of injury.
3. **When servicing a tool, use only identical replacement parts. Follow instructions in the maintenance section of this manual.** Use of unauthorized parts or failure to follow maintenance instructions may create a risk of electric shock or injury.

### SAFETY RULES FOR ELECTRIC EDGERS

1. **KNOW your electric Edger. Read operator's manual carefully.** Learn the applications and limitations, as well as the specific potential hazards related to this tool. Following this rule will reduce the risk of electric shock, fire or serious injury.
2. **DO NOT** use the Edger without adequate lighting. **ALWAYS** make sure that you can see what you are edging.
3. Use Edger **ONLY** when grass and weeds are dry.
4. **ALWAYS** stand to the left of the Handle. Any debris thrown by the Edger would be coming from the Blade Guard area on the right of the Edger.
5. **ALWAYS** remove objects such as stones, sticks, and debris from the edging path that could become entangled in, or thrown by the Edger.
6. To reduce the risk of rebound (ricochet), work **going away** from any nearby solid object such as a wall, steps, large stone, tree, etc. Use care when working near solid objects or into the wind. If necessary, do edging in those areas by hand.

## SAFETY INSTRUCTIONS cont.

### SAFETY RULES FOR ELECTRIC EDGERS cont.

7. **ALWAYS** hold the Edger with both hands on the Handle and **NEVER** reach near or under the Blade Guard.
8. **AVOID accidental starting. DO NOT** carry a plugged in Edger with your finger on the Power Switch Lever.
9. **DO NOT** carry the Edger by the extension cord or pull the cord to disconnect it from the receptacle. Keep cord away from heat, oil and sharp edges.
10. **DO NOT FORCE the Edger.** Do not try to cut more than what the Edger is designed for. It will do a better job with less chance of injury when used at the rate for which it is designed.
11. **MAINTAIN** the Edger with care. **ALWAYS** inspect the extension cord and replace if damaged.
12. **KEEP the Handle** dry, clean and free of oil and grease. Use a clean cloth when cleaning. **DO NOT** use solvents, brake fluids, gasoline, or other petroleum products to clean the Edger. They can damage plastic parts.
13. **NEVER**, for any reason, touch the cutting blade or other moving parts during use.
14. **KEEP Blade Guard in place** and in good working order. Keep Guard positioned over blade. Keep hands and feet away from cutting blade.
15. **ALWAYS** store the Edger indoors when not in use. It should be stored in a dry place, high up or locked in a place that is out of the reach of children.
16. **ALWAYS** use only the blade provided with this Edger or sold specifically for this Edger. Use of any other blades may create a hazardous situation.
17. **ALWAYS** keep ventilation openings clear of debris.
18. **KEEP ALL BYSTANDERS AWAY** at a safe distance from the work area, especially children. Make sure that persons and pets are at least 100 feet away.

**⚠ WARNING:** Some dust particles created by lawn and garden tools contain chemicals known to cause cancer, birth defects or other reproductive harm. Some examples of these chemicals are:

- Compounds in fertilizers, herbicides, pesticides, and insecticides.
- Arsenic and chromium from chemically treated lumber.

Your risk from these exposures varies, depending upon how often you do this type of work. To reduce your exposure to these chemicals:

- Work in a well-ventilated area
- Work with approved safety equipment, such as those dust masks that are specially designed to filter out microscopic particles.

## SAFETY INSTRUCTIONS cont.

**⚠ WARNING:** NEVER reach under the Edger (blade area) until you have unplugged Edger and the Edger has come to a complete stop. The Edger's blade will continue to rotate for a few seconds after it is switched off.

### ADDITIONAL RULES FOR SAFE OPERATION

**⚠ WARNING:** BE SURE to read and understand all instructions. Failure to follow all instructions listed below may result in electric shock, fire and/or serious personal injury.

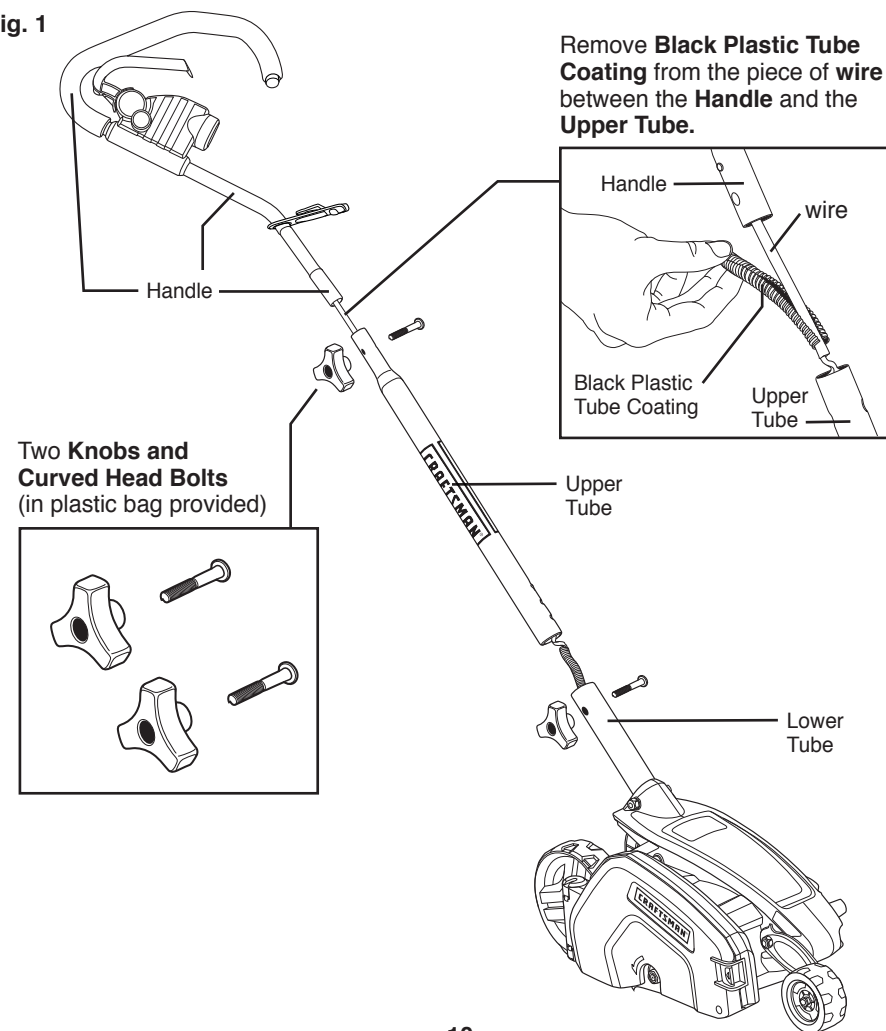
1. **ALWAYS wear safety glasses or eye shields when using this Edger.**  
Everyday eyeglasses have only impact-resistant lenses; they are **NOT** safety glasses.
2. **PROTECT your lungs.** Wear a face mask, dust mask or respirator if the operation is dusty.
3. **PROTECT your hearing.** Wear appropriate personal hearing protection during use. Under some conditions noise from this product may contribute to hearing loss.
4. **ALL VISITORS AND BYSTANDERS MUST** wear the same safety equipment that the operator of the tool wears.
5. **ALWAYS check the tool for damaged parts.** Check for misalignment or binding of moving parts, breakage of parts, and any other condition that may affect the tool's operation. Before further use of the tool, a guard or other part that is damaged should be carefully checked to determine if it will operate properly and perform its intended function. A guard or other part that is damaged should be properly repaired or replaced at a Sears or other qualified service dealer.
6. **SAVE THESE INSTRUCTIONS.** Refer to them frequently and use them to instruct others who may use this tool. If someone borrows this tool, make sure they have these instructions also.

## UNPACKING

1. The **Edger** comes fully assembled except for the **Handle**, which is in pieces and connected by internal wiring, and must be assembled (**Fig 1**).
2. Included is a bag with the two **Knobs** and **Curved Head Bolts** for assembling the **Handle**.
3. Remove the **Edger** with **Handle**, along with bag of **Knobs** and **Bolts**, from the carton. Inspect your Edger.
4. Do not discard box or packing material until all parts are examined.

**⚠ WARNING:** If any part of the Edger is missing or damaged, do not plug in the Edger until the damaged part is repaired or replaced.

Fig. 1



## DESCRIPTION

### KNOW YOUR EDGER

**NOTE:** Before attempting to use this product, familiarize yourself with all operating features and safety rules.

Your Edger has a precision built electric motor and it should only be connected to a 120-volt, 60 Hz AC ONLY power supply (normal household current). The Edger should always be used with a GFCI (Ground Fault Circuit Interrupter) outlet.

**DO NOT** operate this Edger on direct current (DC). The large voltage drop would cause a loss of power and the motor would overheat.

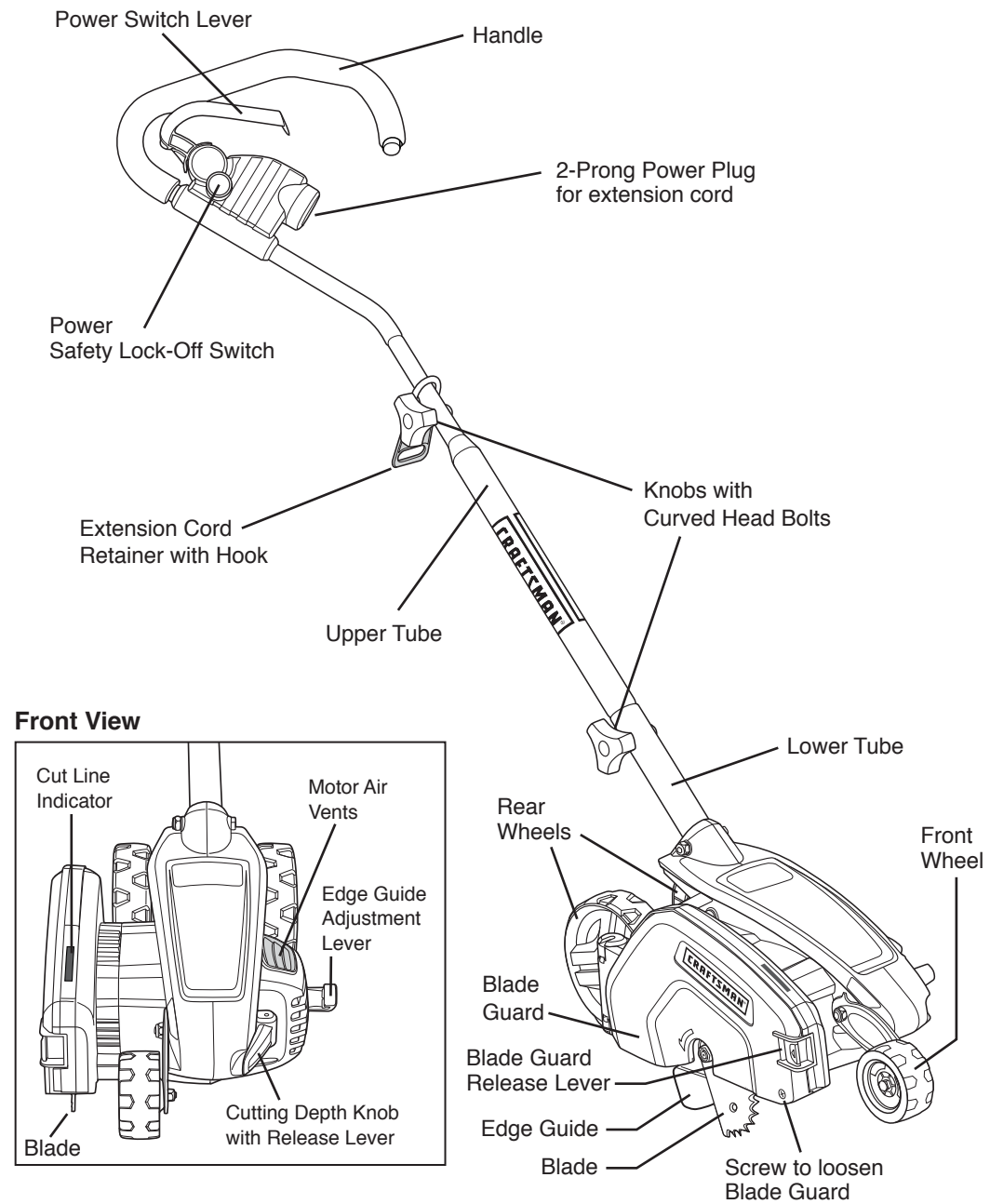
If the Edger does not operate when plugged into correct 120-volt, 60 Hz AC ONLY outlet, check the power supply. The Edger comes with an electric plug and should be plugged into a proper extension cord.

This Edger has the following features:

1. 2-in-1 function converts Edger to Trencher.
2. 3-position Blade Depth Adjustment with indicator (1", 1 1/2" & 1 3/4").
3. Powerful 12.0 Amp, 4700/min (no-load speed) motor for heavy-duty edging and trenching.
4. Ergonomically designed Handle with comfort grip reduces fatigue and improves control.
5. Easy access to 7 1/2" blade for cleaning debris.
6. 2-Position Adjustable Length Handle Shaft.
7. Edge Guide Adjustment Lever raises or lowers Edge Guide.
8. 6-in. Rear Wheels, and Front Wheel with Wheel Height Adjustment.
9. Cut line indicator helps maintain straight, even cuts.

## DESCRIPTION cont.

### KNOW YOUR EDGER cont. Fig. 2



12

## ASSEMBLY & ADJUSTMENTS

### ATTACHING THE HANDLE

The handle comes packaged in sections, which are connected together by internal coated wiring running through the middle of all the handle pieces.

1. Carefully remove packing material and plastic wrapping around tool and handle pieces, being careful to keep pieces connected.
2. Remove the Knobs and Curved Head Bolts from the plastic bag.
3. Remove the **black plastic tube coating** from the piece of wire between the **Handle** and the **Upper Tube (Fig. 1)**. This will enable the bolt to fit through the smaller diameter **Handle**.
4. Slide the **Handle** down into the end of the **Upper Tube** so the holes line up (**Fig. 3a**). Carefully insert bolt, being careful to avoid covered wire inside handle shaft (**Fig. 3b**). Fasten together by tightening **Knob** onto **Curved Head Bolt**.
5. Slide **Upper Tube** down into **Lower Tube** so that holes line up. **Do not** remove the black plastic tube coating from the wire at this connection. There are two positions available for adjustment to your preferred height (**Fig. 4a**). **NOTE:** When you first insert the bolt, it may be necessary to wiggle it carefully to get it past the coated wire inside the **Tube**. Fasten together with second **Knob** and **Curved Head Bolt (Fig. 4b)**.

Fig. 3a

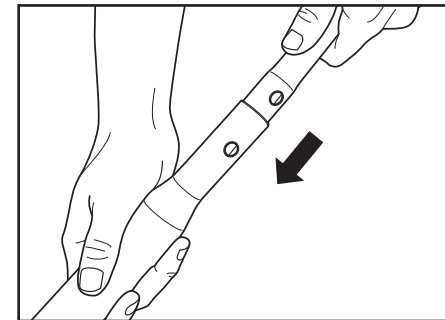


Fig. 3b

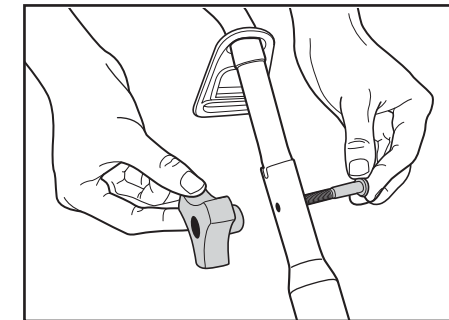


Fig. 4a

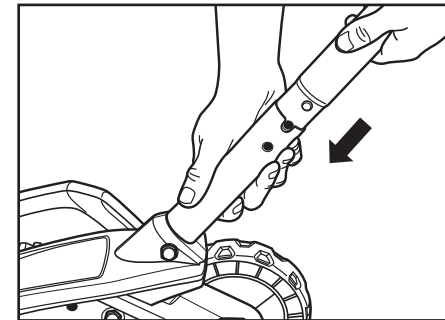
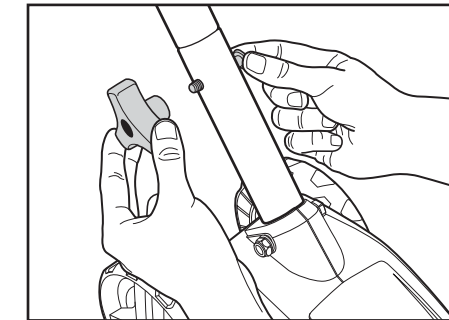


Fig. 4b



**NOTE:** Be sure the wire cable moves smoothly down into the Lower Handle Tube while assembling.

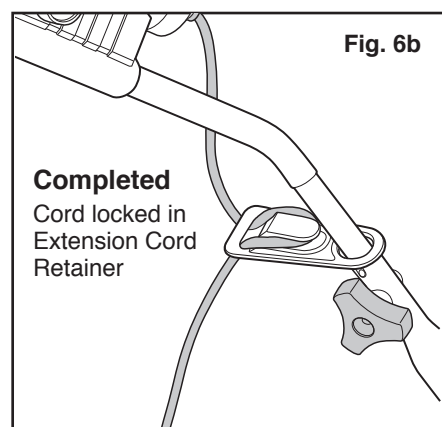
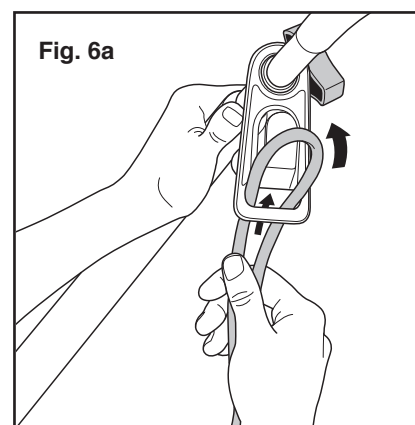
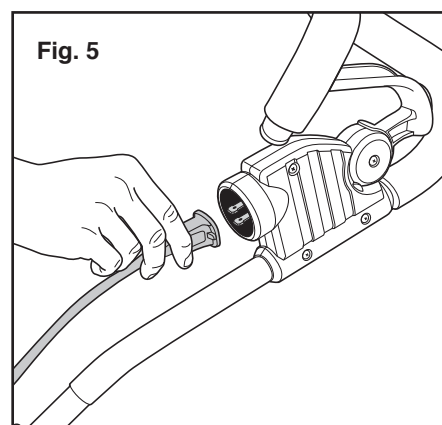
**CAUTION:** NEVER use a sharp object to move coated wires out of the way.

13

## ASSEMBLY & ADJUSTMENTS cont.

### ATTACHING EXTENSION CORD

1. Insert extension cord socket into Edger's Power Plug (**Fig. 5**).
2. An Extension Cord Retainer is attached to the Handle to reduce strain on the cord. To use this feature, simply double the extension cord as shown, about a foot from the end, and insert it into the end of the Retainer. Place the loop formed by doubling the cord over the Hook (**Fig. 6a**). Gently tug on the cord to ensure that it is firmly situated in the Retainer (**Fig. 6b**).
3. Keep extension cord clear of operator, unit and any obstacles at all times. Do not expose the cord to heat, oil, water, or sharp edges.



14

## ASSEMBLY & ADJUSTMENTS cont.

### CUTTING DEPTH ADJUSTMENT

The front wheel can be adjusted to allow a deeper or shallower cut. We recommend the shallower setting to increase the life of the blade. To adjust the cutting depth to your desired depth:

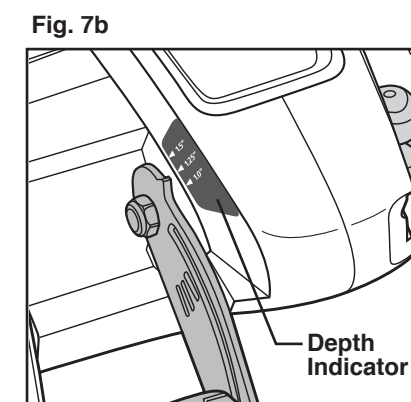
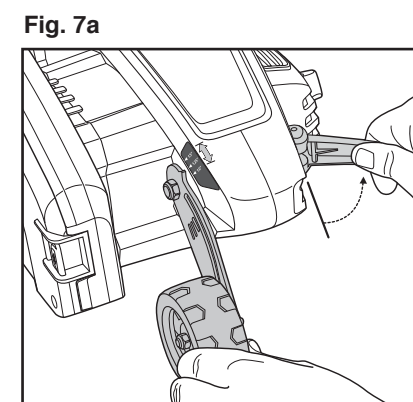
**⚠ WARNING:** To avoid injury, ALWAYS turn off and disconnect the Edger from the power outlet BEFORE installing parts or cleaning the Edger or making any adjustments.

**⚠ CAUTION:** BLADE ROTATES momentarily after power switch is released. Wait for blade to come to a complete stop.

1. To loosen Front Wheel, pull out on Release Lever of Cutting Depth Knob located at the front of Edger across from the Front Wheel (**Fig. 7a**).
2. Adjust the wheel depth using the Depth Indicator on the Wheel Bracket and the markings on the front Housing (**Fig. 7b**).

**NOTE:** The recommended depth for edging is 1 inch.

3. Tighten the Cutting Depth Release Lever by pushing in firmly.



**NOTE:** Thick, overgrown grass may drag on the Guard. Reduce the cutting depth to the minimum to help reduce this effect.

15



## ASSEMBLY & ADJUSTMENTS cont.

### EDGE GUIDE

The Edge Guide is useful for cutting a straight path along sidewalks, driveways, or other straight existing edges.

**⚠ WARNING:** To avoid injury, ALWAYS turn off and disconnect the Edger from the power outlet BEFORE installing parts or cleaning the Edger or making any adjustments.

To place the Edge Guide in the down position:

1. Locate Edge Guide Adjustment Lever, press in, and turn clockwise to set Edge Guide in the down position (Figs. 8a, 8b). See position illustrations on lever.

Fig. 8a

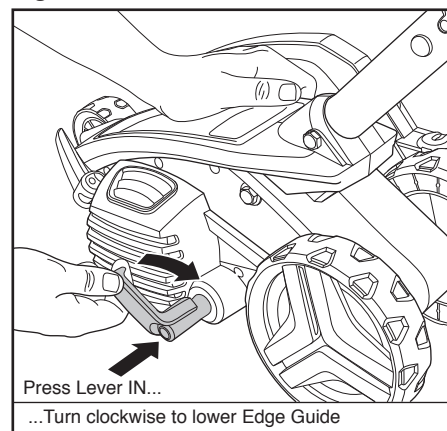
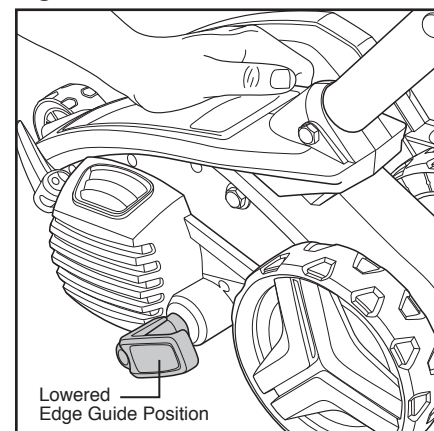


Fig. 8b



**NOTE:** You may need to tilt the Edger back to allow Edge Guide to be moved into the down position.

## OPERATION

### POWER SWITCH LEVER

To turn Edger ON, press in the **Power Safety Lock-Off Switch** and squeeze the **Power Switch Lever** (Fig. 9a). As soon as Edger starts up you can release the **Power Safety Lock-Off Switch** (Fig. 9b). The **Power Switch Lever** has been designed so that it is very easy to hold in the ON position. To turn tool OFF, simply release **Power Switch Lever**.

Fig. 9a

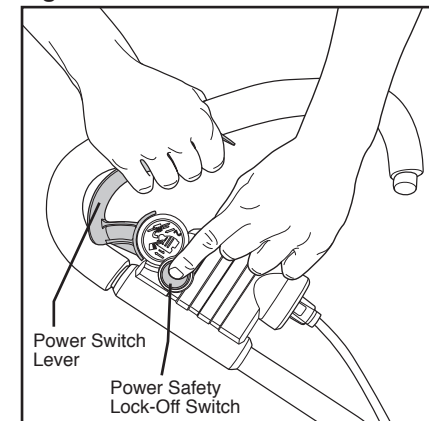
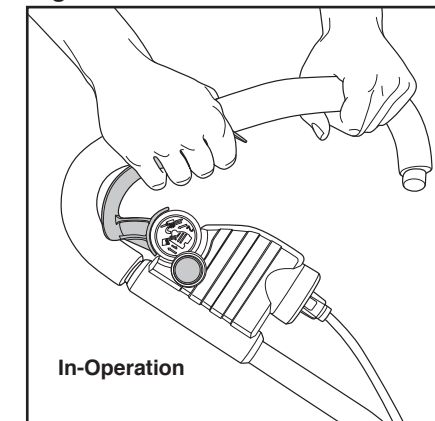


Fig. 9b

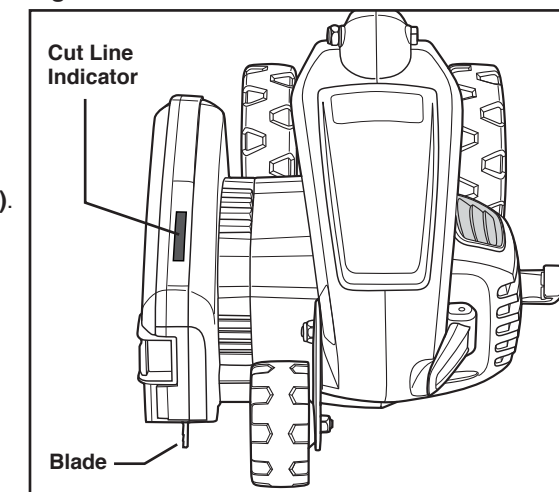


**NOTE:** The Edger is a major appliance and should not be operated simultaneously with other major appliances on the same household circuit.

### CUT LINE INDICATOR

Your Edger has a **Cut Line Indicator** located on top of the door of the Blade Guard. This shows the location of the Cutting Blade and enables you to position the Edger properly (Fig. 10).

Fig. 10



## OPERATION cont.

### EDGING OPERATION

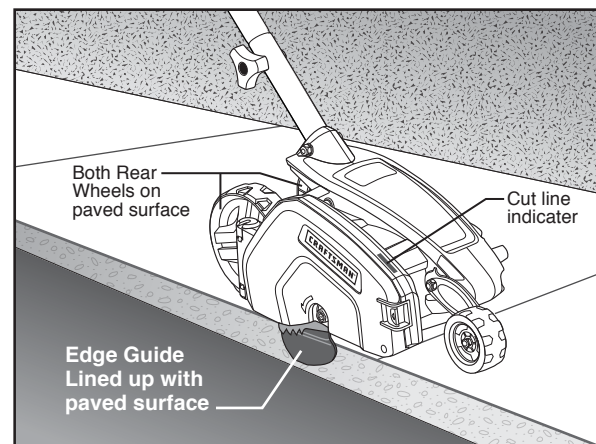
**⚠ WARNING:** Make sure that other people and pets are at least 100 feet away from Edger.

**NOTE:** When there is heavy overgrowth of grass over the paved surface, the grass may drag on the Guard. An initial cut may be required with the Edger on the grass side. This will require lifting up the Edge Guide and may require reducing the depth of cut (See **EDGE GUIDE** and **CUTTING DEPTH ADJUSTMENT** instructions).

Because of the direction of the Blade rotation, the Edger can kickback towards the operator if it hits an obstruction such as thick, matted grass. Keep a firm grasp on the Handle, especially when edging in thick, matted material. When using the Edger along a paved surface, keep both rear wheels on the pavement.

1. Set cut depth at 1" (see pg. 15). Locate Edge Guide Adjustment Lever, press in, and turn clockwise to set Edge Guide in the down position. See **EDGE GUIDE** section (pg. 16).
2. Before starting the Edger, line up the tool so the Edge Guide rests against the edge of the paved surface (Fig.11). The Cut Line Indicator is helpful in lining up the Edger blade to the cut path. Both Rear Wheels should be on the paved surface when edging.

Fig. 11



3. To avoid kickback of Edger, tilt the Handle down so the blade is above the ground (Fig. 12a).
4. Turn Edger On and allow blade to spin without moving tool.
5. Slowly lift the Handle to lower the Blade, finding the edge of the paved surface (Fig. 12b). Use the Cut Line Indicator to help position the Edger. Start edging, moving the tool forward slowly along edge of paved surface, keeping the Edge Guide pressed lightly against the pavement edge.

**NOTE:** ALWAYS stand to the left of the Handle. Any debris thrown by the Edger would be coming from the Blade Guard area on the right of the Edger

## OPERATION cont.

### EDGING OPERATION cont.

For the first edging of the season, it is best to move forward slowly because the grass is thickest then. Subsequent edging will be take less time. If the tool slows down, back it up an inch or two until the blade comes up to normal speed. During edging some sparks may be generated from hitting stones or paved surface. This is normal.

Do not attempt to edge when the grass or soil is wet or moist – for electrical safety and to prevent clogging of the blade chamber. If you must edge under conditions that cause the blade chamber to become clogged, release Power Switch Lever, wait for blade to come to a complete stop, **UNPLUG TOOL**, open Blade Guard door. See **OPENING THE BLADE GUARD** on Pages 20-21. Remove the clogged material with a stick. To continue to operate the Edger in a clogged condition will seriously overload the motor.

Fig. 12a

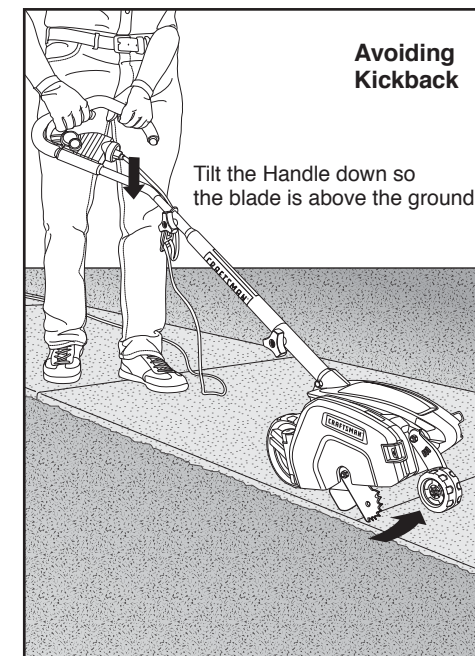


Fig. 12b



**⚠ CAUTION:** DO NOT ATTEMPT to unclog the blade chamber by dropping or tapping the Edger on the ground or pavement. This can damage the Edger. Keep hands clear of Edge Guide and Blade when cleaning, as these wear to very sharp points during edging.

## OPERATION cont.

### TRENCHING AND LANDSCAPING OPERATION

The Edger can also be used for Trenching. The blade will leave a small trench for placing wiring underground.

Because of the direction of the Blade rotation the Edger can kickback towards the operator if it hits an obstruction such as thick, matted grass. Keep a firm grasp on the Handle, especially when trenching in thick, matted material.

The Edger can be used in Landscaping applications, including cutting along the edges of flower and shrubbery beds, around trees, and cutting in preparation for sod removal.

While trenching and landscaping, the Edge Guide can interfere with moving the Edger through hard soil or sod. For this reason trenching and landscaping are done with the Blade only and without use of the Edge Guide. Locate the Edge Guide Adjustment Lever and put Edge Guide in the up position. Refer to illustrations on Lever.

Before trenching, inspect and ensure there are no exposed or buried cables, pipes or other objects that may create a hazard or interfere with operating the Edger. Set depth to only that required for the job.

**NOTE: ALWAYS stand to the left of the Handle. Any debris thrown by the Edger would be coming from the Blade Guard area on the right of the Edger.**

Do not overload. If tool slows down, pull back slightly and wait until blade comes up to normal speed.

**WARNING: DO NOT use Edger with any type of accessory or attachment. Such usage might be hazardous.**

### OPENING THE BLADE GUARD

The Blade Guard swings open for cleaning inside the blade chamber or for changing blades.

To open the Blade Guard:

1. Unplug tool.
2. Wait for blade to come to a COMPLETE STOP.

**WARNING: To avoid injury, ALWAYS turn off and disconnect the Edger from the power outlet BEFORE installing parts or cleaning the Edger or making any adjustments.**

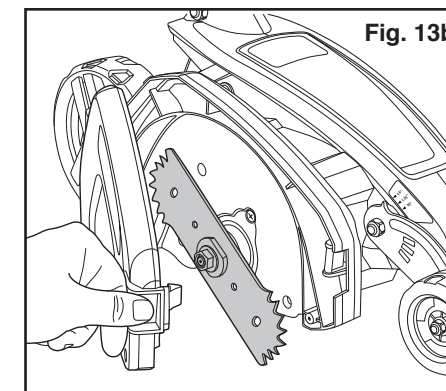
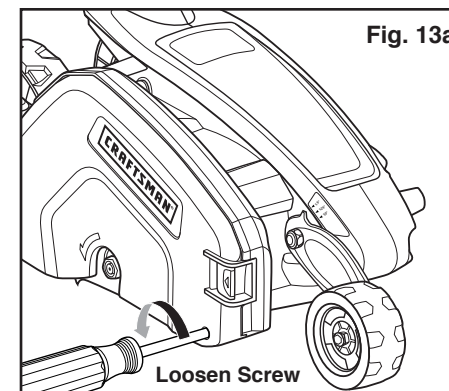
**CAUTION: BLADE ROTATES momentarily after power switch is released. Wait for blade to come to a complete stop.**

3. To open Blade Guard, loosen the Screw under the Blade Guard Release Lever counter-clockwise (as you face Blade Guard side of tool), see Fig. 13a. Pull out on the Guard Release Lever and open Blade Guard (Fig. 13b).
4. To close Blade Guard, push in until you hear Guard Release Lever click into place. Tighten the Screw under the Blade Guard Release Lever. Make sure Blade Guard is securely in place.

20

## OPERATION cont.

### OPENING THE BLADE GUARD cont.



**WARNING: BE SURE GUARD IS PROPERLY CLOSED AND SCREWED SHUT BEFORE OPERATING EDGER.**

### REMOVING AND ATTACHING THE BLADE

The blade, two spacers and hex head nut with conical washer should be attached to your Edger in the order shown (Fig. 14). Check that the blade has been properly mounted before using your Edger.

The Edger Blade has two wear indicators that show when the original blade needs to be replaced. When the blade wears to the small holes, it should be replaced.

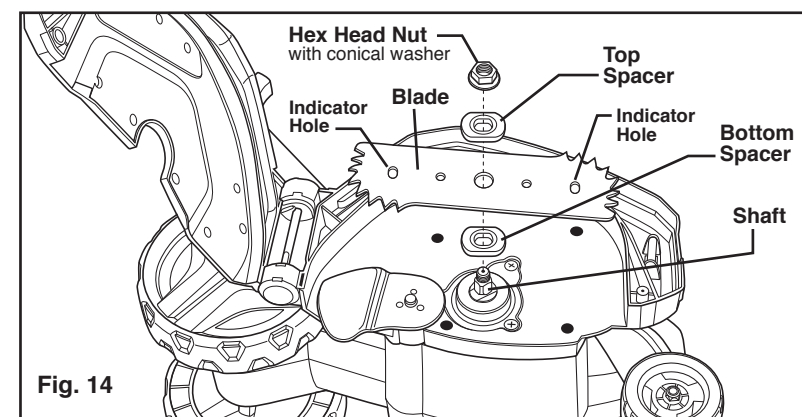


Fig. 14

**NOTE: To increase blade life, keep initial cutting depth at minimum and increase depth setting as blade wears.**

21

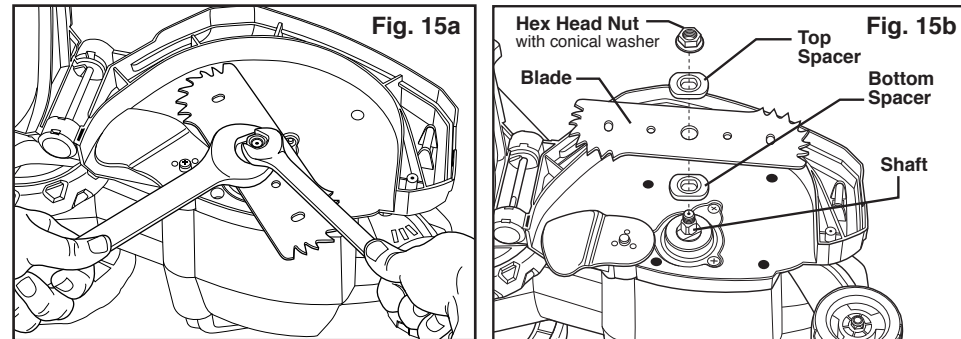
## OPERATION cont.

### REMOVING THE BLADE FOR REPLACEMENT

**⚠ WARNING:** To avoid injury, ALWAYS turn off and disconnect the Edger from the power outlet BEFORE installing parts or cleaning the Edger or making any adjustments.

**⚠ CAUTION:** BLADE ROTATES momentarily after power switch is released. Wait for blade to come to a complete stop. Blade is sharp, wear work gloves when replacing.

1. Loosen Screw under Blade Guard Release Lever, pull Blade Guard Release Lever and open Blade Guard Door. See **OPENING THE BLADE GUARD** on Pages 20-21.
2. Use a 1" crescent wrench to hold the outer spacer in place, which will keep the blade from turning. With a 9/16" crescent wrench, loosen the hex head nut with conical washer (Fig. 15a).
3. Remove hex head nut with conical washer, spacer and blade.



### ATTACHING THE NEW BLADE

**NOTE:** Clean off debris from blade and all mounting hardware.

1. Be sure inner spacer is on shaft – “flats” in spacer hole must engage with “flats” on shaft (Fig 15b).
2. Place the blade on the shaft over the inner spacer.
3. Hold the blade against the inner spacer and install the outer spacer, again aligning the flats in the spacer with the flats on the shaft.
4. Install the hex head nut with conical washer. Use a 1" crescent wrench to hold the outer spacer in place, which will keep the blade from turning. With a 9/16" crescent wrench, firmly tighten the hex head nut with conical washer (Fig 15a).

**NOTE:** Replace the hex head nut with conical washer ONLY with identical replacement part; see Parts List.

5. Close Blade Guard door. Blade Guard Release Lever must snap into locked position. Tighten screw under Blade Guard Release Lever.

## MAINTENANCE

### GENERAL MAINTENANCE

Keep your Edger clean and in good repair for maximum long-lasting performance. Before each use, inspect the switch and cord for damage. Check for damaged, missing, or worn parts. Check for loose screws, misalignment, moving parts that are jammed, or any other conditions that may affect the operation. If abnormal vibration or noise occurs, turn off the tool immediately and have the problem corrected before further use.

**DO NOT** use the Edger if it has any broken parts. Have damaged, missing, worn or broken parts replaced before using Edger.

**When servicing** a tool, use only identical replacement parts. Use of unauthorized parts or failure to follow maintenance instructions may create a risk of electric shock or injury.

### BLADE CARE

The cutting blades are made from high quality, hardened steel and with normal use, they will not require sharpening. However, if you accidentally hit a wire fence, stones, glass or other hard objects, you may put a nick in the blade. There is no need to remove this nick as long as it does not interfere with the movement of the blade. If it does interfere, **unplug the Edger**, see **OPENING THE BLADE GUARD** on Pages 20-21, and use a fine-toothed file or sharpening stone to remove the nick.

**⚠ WARNING:** To avoid injury, ALWAYS turn off and disconnect the Edger from the power outlet BEFORE installing parts or cleaning the Edger or making any adjustments.

If you drop the Edger, carefully inspect it for damage. If the blade is bent, housing cracked, or handles broken, or if you see any other condition that may affect the Edger's operation, have Edger repaired by a Sears or other qualified service dealer before putting it back into use.

### CLEANING

Fertilizers and other garden chemicals contain agents that greatly accelerate the corrosion of metals. If you use the Edger in areas where fertilizers or chemicals have been used, it should be cleaned immediately afterwards. **Do Not** store the tool on or adjacent to fertilizers or chemicals.

When cleaning, **DO NOT** immerse tool in water or squirt with a hose. Never let any liquid get inside the tool.

Wipe all exposed parts with a damp cloth. You may lubricate only metal parts with a light petroleum based oil.

**⚠ WARNING:** To avoid injury, ALWAYS turn off and disconnect the Edger from the power outlet BEFORE installing parts or cleaning the Edger or making any adjustments.

**⚠ CAUTION:** BLADE ROTATES momentarily after power switch is released. Wait for blade to come to a complete stop.

## MAINTENANCE cont.

### STORAGE

Store the Edger indoors when not in use. It should be stored in a dry place, high up or locked in a place that is out of the reach of children.

Edger may be stored by hanging by handle. **DO NOT** hang Edger with the Power Switch Lever depressed! Be sure Power Switch Lever is free of contact when hanging.

**⚠ WARNING: Be sure the Edger is unplugged before storing. DO NOT hang Edger by Power Switch Lever.**

Remove and clean off any debris from the outside of the Edger and inside of Blade Guard before storage. To clean inside of Blade Guard see **OPENING THE BLADE GUARD** on Pages 20-21.

## ACCESSORIES

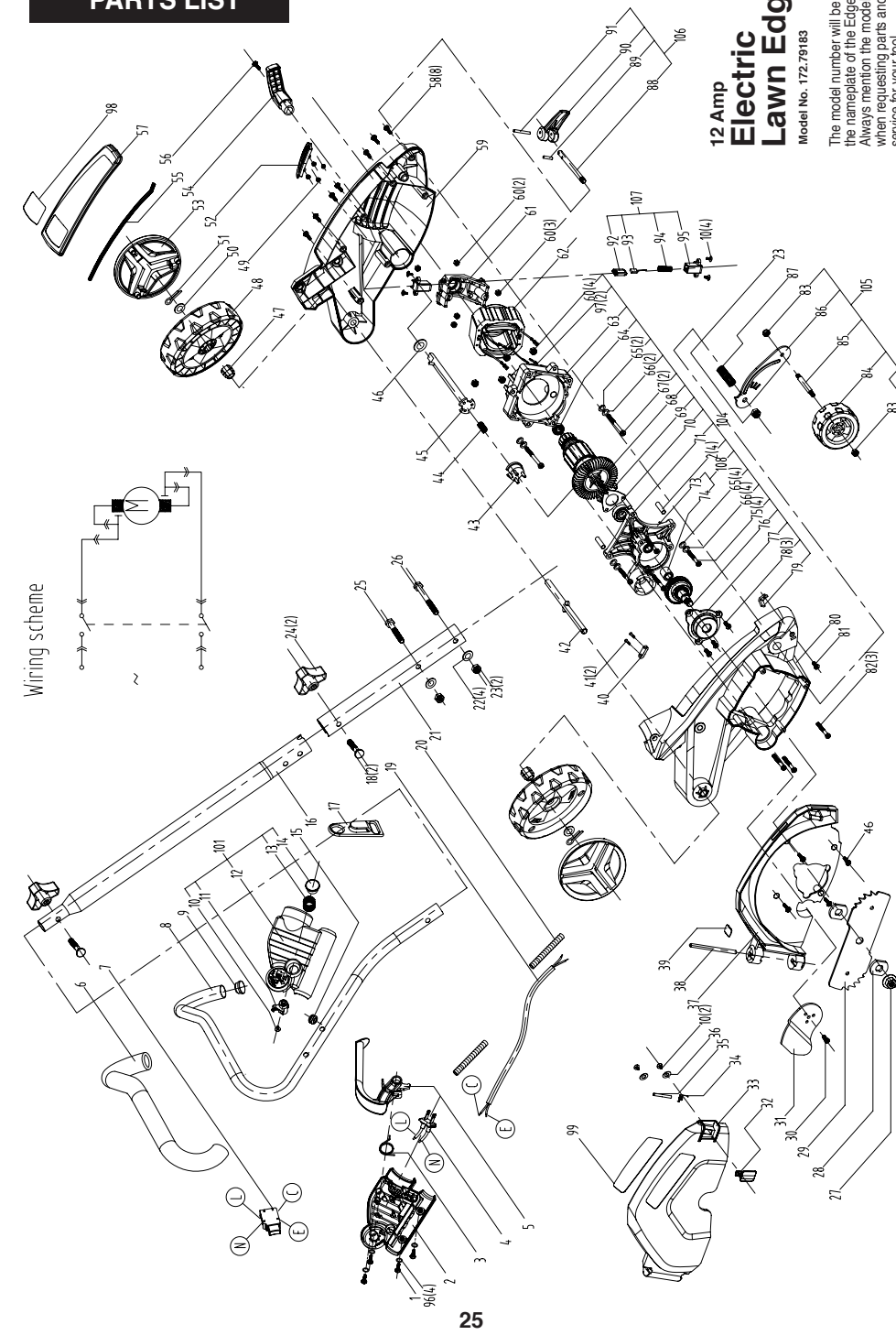
**⚠ WARNING: The use of attachments or accessories that are not recommended for this tool might be dangerous and could result in serious injury.**

### REPLACEMENT BLADES

Replacement blades are available at Sears stores or Sears.com. The replacement blade for your Edger is Sears item number #11000.

Visit your local Sears store or other Craftsman outlets or shop [sears.com/craftsman](http://sears.com/craftsman).

## PARTS LIST



## 12 Amp Electric Lawn Edger

Model No. 172.79163

The model number will be found on the nameplate of the Edger. Always mention the model number when requesting parts and service for your tool.

12 Amp

**Electric Lawn Edger**

Model No. 172.79183

The model number will be found on the nameplate of the Edger.  
Always mention the model number when requesting parts and service for your tool.

**PARTS LIST cont.**

Item No.	Parts No.	Part Description	Qty.	Item No.	Parts No.	Part Description	Qty.
1	GLE150U-1	Self Tapping Screw	4	35	GLE150U-35	Cylindrical Pin	1
2	GLE150U-2	Switch Cover Right	1	36	GLE150U-36	Washer	2
3	GLE150U-3	Torsional Spring	1	37	GLE150U-37	Guard	1
4	GLE150U-4	Two Prong Power Plug	1	38	GLE150U-38	Revolve Pin	1
5	GLE150U-5	Power Switch Lever	1	39	GLE150U-39	Limit Plate	1
6	GLE150U-6	Rubber Tube For Handle	1	40	GLE150U-40	Cord Clamp	1
7	GLE150U-7	Switch	1	41	GLE150U-41	Self Tapping Screw	2
8	GLE150U-8	Handle	1	42	GLE150U-42	Rear Roller Shaft	1
9	GLE150U-9	Tube Plug	1	43	GLE150U-43	Rotatable Block	1
101	GLE150U-101	Switch Cover	1	44	GLE150U-44	Compression Spring	1
10	GLE150U-10	Self Tapping Screw	1	45	GLE150U-45	F R Button	1
11	GLE150U-11	Switch Lever	1	46	GLE150U-46	Washer	1
12	GLE150U-12	Switch Cover Left	1	47	GLE150U-47	Sleeve	2
13	GLE150U-13	Compression Spring	1	48	GLE150U-48	Rear Wheel	2
14	GLE150U-14	Power Safety Lock-Off Switch	1	49	GLE150U-49	Self Tapping Screw	4
15	GLE150U-15	Insulation Sheath	1	50	GLE150U-50	Washer	2
16	GLE150U-16	Upper Tube	1	51	GLE150U-51	Spring Pin	2
17	GLE150U-17	Cord Retainer With Hook	1	52	GLE150U-52	Rear Cover	1
18	GLE150U-18	Curved Head Bolts	2	53	GLE150U-53	Rear Wheel Guard	2
19	GLE150U-19	Inner Line	1	54	GLE150U-54	Adjustment Knob	1
20	GLE150U-20	Black Plastic Tube Coating	2	55	GLE150U-55	Strip	1
21	GLE150U-21	Lower Tube	2	56	GLE150U-56	Screw	1
22	GLE150U-22	Washer	2	57	GLE150U-57	Decorative Cover	1
23	GLE150U-23	Nut	3	58	GLE150U-58	Self Tapping Screw	13
24	GLE150U-24	Locking Knob	2	59	GLE150U-59	Right Blade Guard Housing	1
25	GLE150U-25	Bolt	1	104	GLE150U-104	Motor Set	1
26	GLE150U-26	Bolt	1	60	GLE150U-60	Nut	9
27	GLE150U-27	Hex Nut w/ Conical Washer	1	61	GLE150U-61	Rear Bracket	1
28	GLE150U-28	Spacer	2	62	GLE150U-62	Stator	1
29	GLE150U-29	Blade	1	63	GLE150U-63	Front Bracket	1
30	GLE150U-30	Screw Washer Assembly	1	64	GLE150U-64	Ball Bearing	1
31	GLE150U-31	Edge Guide	1	65	GLE150U-65	Washer	6
10	GLE150U-10	Self Tapping Screw	6	66	GLE150U-66	Spring Washer	6
32	GLE150U-32	Guard Release Lever	1	67	GLE150U-67	Screw	2
33	GLE150U-33	Blade Guard Cover	1	68	GLE150U-68	Rotor	1
34	GLE150U-34	Torsional Spring	1	69	GLE150U-69	Self Tapping Screw	1

12 Amp

**Electric Lawn Edger**

Model No. 172.79183

The model number will be found on the nameplate of the Edger.  
Always mention the model number when requesting parts and service for your tool.

**PARTS LIST cont.**

Item No.	Parts No.	Part Description	Qty.
70	GLE150U-70	Bearing Cover	1
71	GLE150U-71	Ball Bearing	1
72	GLE150U-72	Shore	1
108	GLE150U-108	Gear Box Assembly	1
73	GLE150U-73	Gear Box Body	1
74	GLE150U-74	Oil Seal Bearing	1
75	GLE150U-75	Screw	4
76	GLE150U-76	Output Shaft Set	1
		Bearing	1
		Gear	1
		Shaft	1
77	GLE150U-77	Gear Case Cover	1
78	GLE150U-78	Screw	3
79	GLE150U-79	Detent Block	1
80	GLE150U-80	Left Blade Guard Housing	1
81	GLE150U-81	Screw	1
82	GLE150U-82	Screw Washer Assembly	3
105	GLE150U-105	Front Wheel Assembly	1
83	GLE150U-83	Nut	2
84	GLE150U-84	Front Wheel	1
85	GLE150U-85	Front Wheel Shaft	1
86	GLE150U-86	Connecting Plate	1
87	GLE150U-87	Compression Spring	1
106	GLE150U-106	Adjustment Block	1
88	GLE150U-88	Pin Shaft	1
89	GLE150U-89	Cylindrical Pin	1
90	GLE150U-90	Front Spanner	1
91	GLE150U-91	Cylindrical Pin	1
107	GLE150U-107	Brush Holder Assembly	2
92	GLE150U-92	Brush Holder	2
93	GLE150U-93	Carbon Brush (Pair)	1
94	GLE150U-94	Compression Spring	2
95	GLE150U-95	Brush Holder Assembly	2
96	GLE150U-96	Washer	4
97	GLE150U-97	Terminal	2
98	GLE150U-98	Brand Label	1
99	GLE150U-99	Rated Label	1

## Free Manuals Download Website

<http://myh66.com>

<http://usermanuals.us>

<http://www.somanuals.com>

<http://www.4manuals.cc>

<http://www.manual-lib.com>

<http://www.404manual.com>

<http://www.luxmanual.com>

<http://aubethermostatmanual.com>

Golf course search by state

<http://golfingnear.com>

Email search by domain

<http://emailbydomain.com>

Auto manuals search

<http://auto.somanuals.com>

TV manuals search

<http://tv.somanuals.com>