

SEARS

**OWNER'S
MANUAL**

**MODEL NO.
583.356000**

SERIAL NO. _____
(owner - write in No.)

CAUTION:
**Read Rules for
Safe Operation
and Instructions
Carefully**

SAVE THIS MANUAL FOR
FUTURE REFERENCE



30,000 BTU PORTABLE HEATER

**Operation and Maintenance
Instructions with Parts List**


Sears, Roebuck and Co., Chicago, IL 60684

CONTENTS

INTRODUCTION	2	TAKING CARE OF YOUR HEATER	5
SAFETY RULES	2	Exterior	5
WARRANTY	3	Air and Lint Filters	6
ASSEMBLY	3	Fuel Tank	6
SAFETY COMPLIANCE	3	Fuel Filter	6
HOW TO USE YOUR HEATER	3	Upper Shell Removal	7
Electrical Information	3	Electrical	7
Fuel Specifications	3	Spark Plug	7
Ventilation Requirements	4	Motor	7
Operation	4	Cleaning the Fan	8
To Start Heater	4	ADJUSTMENTS	8
Using an Optional Thermostat Control	4	Adjusting Pump Pressure	8
Using the Safety Control Reset Button	5	TROUBLESHOOTING YOUR HEATER	10
To Stop Heater	5	REPAIR PARTS	11
Storage	5	SEARS PORTABLE HEATER	14

INTRODUCTION

Read this Owner's Manual carefully and completely before attempting to use or service this heater. Your Sears portable heater is designed and constructed to assure a long service life and provide maximum safety. However, improper use of any

portable heater can be dangerous to life and property. Be sure to read and understand the following "Safety Rules". They are also repeated in the text of the Manual and are brought to your attention by this symbol .

SAFETY RULES

ONLY plug heater cord into 3-wire extension cord which plugs into *standard* household 3-prong outlet or properly installed adapter.

ONLY use electrical *extension* cords as recommended in this Manual.

NEVER fill heater fuel tank while heater is *plugged* into outlet.

NEVER use gasoline, naphtha, paint thinner, alcohol, or other *volatile* liquids as fuel.

ONLY use heater in well *ventilated* areas as described in this Manual.

NEVER use heater in *living or sleeping* area.

NEVER use heater in areas having flammable *vapor* or heavy *dust* in air.

NEVER use heater in area when gasoline, paint thinner, or other *flammable*, vapor-producing products are present.

ONLY use heater with it standing on its base in a *horizontal* (level) position.

NEVER attach ductwork to heater's hot air outlet.

ALWAYS keep heater's hot air outlet more than eight (8) feet from *any* combustible material.

ALWAYS keep children and pets *away* from heater.

ALWAYS *unplug* heater when children or pets may be in area without adults present.

REMEMBER, an unattended thermostat-controlled heater will *start* any *time* air temperature drops, unless it is unplugged or thermostat is turned off.

NEVER handle, move or attempt to service heater while it is plugged in, *operating* or *hot*.

REMEMBER heater's hot air outlet will be extremely hot *after* heater has been running.

ALWAYS keep heater in a *horizontal* (level) position, even though it is not running, when fuel is in tank.

ALWAYS unplug heater and empty fuel tank before storing heater.

NEVER attempt to work on heater while it is plugged in, while hot, or, if it must be in any position other than level, with fuel in tank.

ALWAYS make sure heater is *unplugged* before attempting to remove spark plug.

ONLY use heater in accordance with local *ordinances* and *codes*.

WARRANTY

For one year from the date of purchase, Sears will repair any defect in material or workmanship in this portable heater at no charge.

If the portable heater is used for commercial or rental purposes, this warranty applies for only thirty days from the date of purchase.

Warranty service is available by simply returning the heater to the nearest Sears Service Center. This warranty gives you the specific legal rights, and you may also have other rights which vary from state to state.

Sears, Roebuck and Co., Department 698/731A, Sears Tower, Chicago, IL 60684

ASSEMBLY


Your heater was shipped fully assembled except for the fuel tank cap and gasket to eliminate the possibility of condensation in the tank. Remove the cap and gasket from the plastic bag and install on the tank.

SAFETY COMPLIANCE

Safety requirements and model plate data comply with AMERICAN NATIONAL STANDARD INSTITUTE, INC.
Safety Requirements: ANSI A10.10-1981.

HOW TO USE YOUR HEATER


ELECTRICAL INFORMATION

 *Only plug heater into 3-wire extension cord which plugs into standard household 3-prong outlet or properly installed adapter.*

This heater only works on standard household current which is alternating (AC), *not* direct (DC), and provides 120 volts, 60 hertz. The heater uses 3.0 amperes when in use.

The *standard* plug, on the heater cord, is a three prong type which mates with *standard* household outlets used with *standard* 3-wire systems; the third wire being a ground.


(The *round* prong on the plug is for the ground wire). Older homes, having a 2-wire system, will require that an adapter, with ground, be used at the outlet. These are available at your local Sears store. They *must* be used in accordance with proper grounding instructions.


 *Only use electrical extension cords as described below.*

When using an extension cord, it *must* be a 3-wire (grounded) cord of proper wire size, as shown in the following table.

CORD LENGTH (FT).	0 to 75	75 to 125	125 to 200
MIN. WIRE SIZE (AWG).	No. 18	No. 16	No. 14

FUEL SPECIFICATIONS

 *Never fill heater fuel tank while heater is plugged into outlet.*

 *Never use gasoline, naphtha, paint thinner, alcohol, or other volatile liquids as fuel.*

This heater operates on kerosene or No. 1 fuel oil. These fuels are sold at your local fuel oil supplier or service station.

Cold temperatures may cause fuel to thicken. If so, "HEET", METHANOL ALCOHOL, OR "FROSTEX" may be added to the fuel. Follow the instructions on the container.

VENTILATION REQUIREMENTS



Only use heater in well ventilated areas.



Never use heater in a sleeping area.



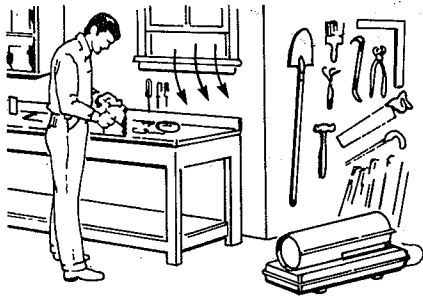
Never use heater in areas having flammable vapor or heavy dust in air.



Never use heater in an area when gasoline, paint thinner, or other flammable, vapor producing products are present.

When using this heater, at least three (3) square feet of fresh air, for each 100,000 BTU's is required. It is best to have cross-ventilation in the area if possible.

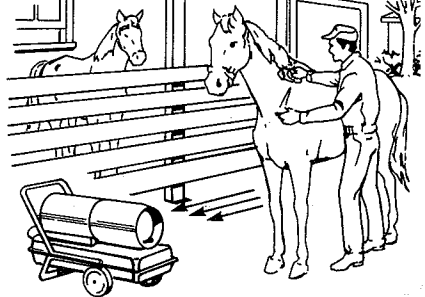
Ventilation requirements, for example, with this 30,000 BTU heater, if used in a two-car garage, will require the door to be raised 2-inches. A single car garage door must be raised 4-inches. In any average-sized room, two 30-inch windows would each have to be raised 3-inches.



Winter Workshop



Construction Sites



Animal Stables

OPERATION



Only use heater with it standing on its base in a horizontal (level) position.



Never attach ductwork to heater's hot air outlet.



Always keep heater's hot air outlet more than eight (8) feet from any combustible material.



Always keep children and pets away from heater.



Always unplug heater when children or pets may be in the area without adults present.

Using An Optional Automatic Thermostat Control (Available at Most Sears Stores)




Remember, an unattended, thermostat-controlled heater will start any time air temperature drops, unless it is unplugged or thermostat is turned off.

TO START HEATER

1. Remove fuel tank cap; fill the heater fuel tank with kerosene or No. 1 fuel oil; install cap.
2. Be sure the ventilation and safety procedures have been carried out.
3. Plug the heater cord with an approved extension cord, into a standard household 3-prong outlet.
4. The heater will immediately start (ignite). If it does not, see "Using The Safety Control Reset Button" in this manual.

1. Repeat steps 1 and 2 above.
2. Plug the thermostat into a standard 3-prong household outlet.
3. Set the thermostat dial to the desired temperature.
4. Plug the heater cord with an approved extension cord, into the thermostat outlet.
5. If the air temperature is higher than the thermostat setting, the heater will *not* start. When the air temperature drops below the thermostat setting, the heater will immediately start (ignite). When the air is warmed to the temperature setting of the thermostat, the heater will turn off. The on-off cycle will continue so as to maintain the desired temperature. If the heater fails to start, see "Using The Safety Control Reset Button" in this manual.


Using The Safety Control Reset Button


 *Never handle, move, or attempt to service heater while it is plugged in, operating or hot.*

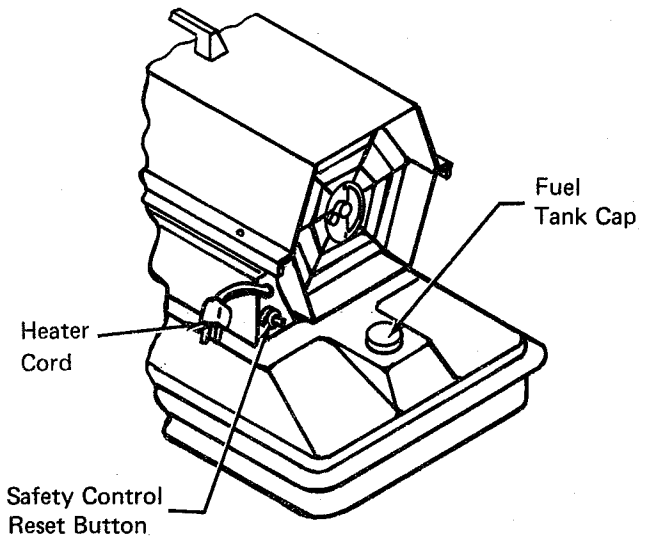
1. If the heater does not start, or stops when it should not, wait 5-minutes for the safety control to cool.
2. Press the reset button, located at the rear of the heater, in.
3. If the heater does not start in 15 to 25 seconds, the reset button will pop out and the safety control will cut off all power to the heater.
4. Unplug the heater. Refer to the "TROUBLESHOOTING" section of this manual to determine the possible cause and possible remedy.

NOTE: When in doubt about your ability to troubleshoot your heater, take it to your Sears Service Center.

TO STOP HEATER


 *Remember, heater's hot air outlet will be extremely hot after heater has been running.*

 *Always keep heater in a horizontal (level) position, even though it is not running, when fuel is in tank.*



1. Unplug the heater cord, or extension cord from the outlet.
2. Thermostat-controlled heaters can be stopped by turning the thermostat dial to the "OFF" or "NO HEAT" position.


STORAGE


 *Always unplug heater and empty fuel tank before storing heater.*

1. Drain the fuel tank completely and clean as described in the "TAKING CARE OF YOUR HEATER" section of this manual.

2. Remove and clean, or replace lint filter, air filters, fuel filter and spark plug as described in the "TAKING CARE OF YOUR HEATER" section of this manual.
3. Store the heater in a clean, dry area, free of corrosive fumes.

TAKING CARE OF YOUR HEATER

 *Never attempt to work on heater while it is plugged in, operating or hot.*

 *Never attempt to work on heater if it must be in any position other than level, with fuel in tank.*

The instructions in this section of the manual will allow you to maintain your heater so it will operate safely and at maximum efficiency.

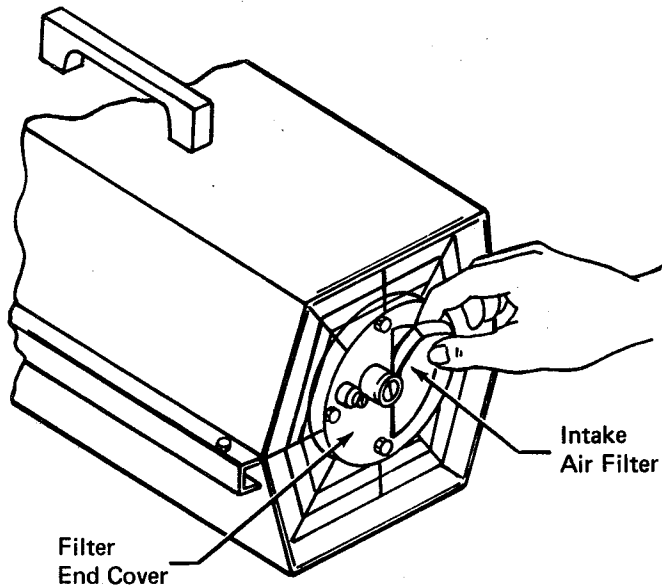
EXTERIOR

1. Clean the exterior of the heater regularly to prevent a build-up of dust, grime, or grease which becomes a fire hazard.
2. With each exterior cleaning, watch for fuel leakage and check the electrical cord for deterioration (hardness and cracking) or damage. Repair or replace as necessary.

NOTE: When in doubt about your ability to repair your heater, take it to your Sears Service Center.

AIR AND LINT FILTERS

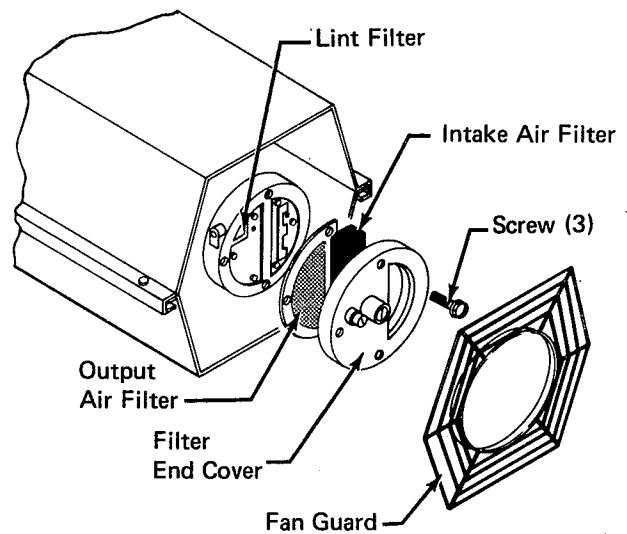
1. The intake air filter should be checked often and cleaned whenever a dust film is seen on its outside surface.
2. Simply *pull* the filter out of the filter end cover, wash it in a mild detergent and water, then dry. Do not oil this filter.
3. Push the filter back into the end cover. Adjust the filter so there is no space showing between the filter and end cover.



4. Normal operation requires that output air and lint filters be changed at the beginning of each heater season, or after 250-hours of operation.
5. To reach the output air and lint filters, remove the three (3) filter end cover screws and end cover.

NOTE: The fan guard simply slips onto the end cover but will come off with the end cover.

6. Remove and discard the output air and lint filters.
7. Install new output air and lint filters.
8. Install the filter end cover on the heater and secure with three (3) screws.
9. Install the fan guard.



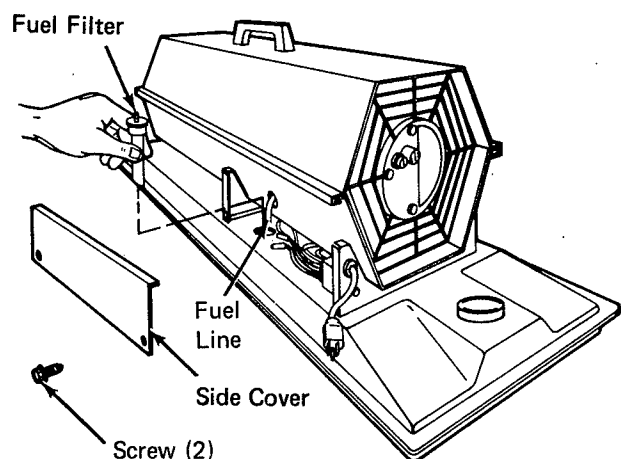
FUEL TANK

1. Normal operation requires the fuel tank be drained and flushed after 150 to 200 hours of operation.
2. Remove the fuel tank cap, up-end the heater, and pour any remaining fuel into a disposable container.
3. Pour some clean kerosene or No. 1 fuel oil into the tank.
4. Install the fuel tank cap and shake the heater to circulate the fuel.

5. Remove the cap, up-end the heater, and pour the fuel into the disposable container.
6. Wipe the inside of the cap clean with a lint-free cloth.
7. Install the cap and properly dispose of the container of old and dirty fuel.

FUEL FILTER

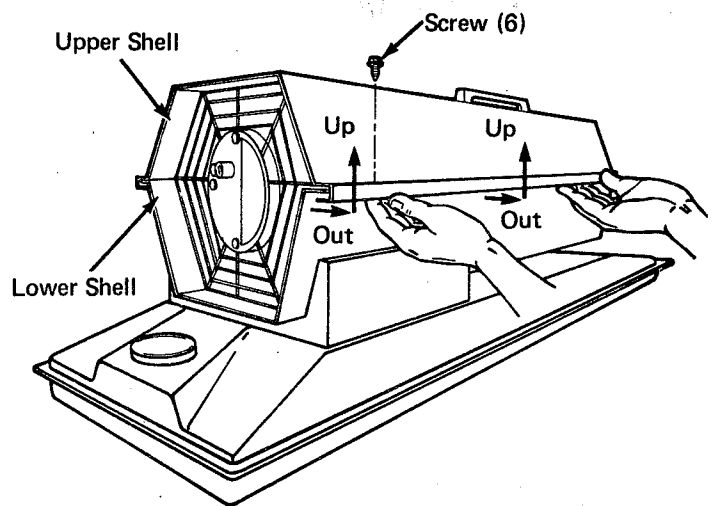
1. Remove two (2) screws and the side cover.
2. Pull the fuel line off of the fuel filter.
3. Carefully pry the bushing, with the filter, out of the fuel tank.
4. Wash the fuel filter in clean fuel.
5. Install the fuel filter and bushing in the fuel tank.
6. Connect the fuel line to the fuel filter.
7. Install the side cover and screws.



UPPER SHELL REMOVAL

NOTE: Upper shell removal is necessary when access to internal parts of the heater is necessary.

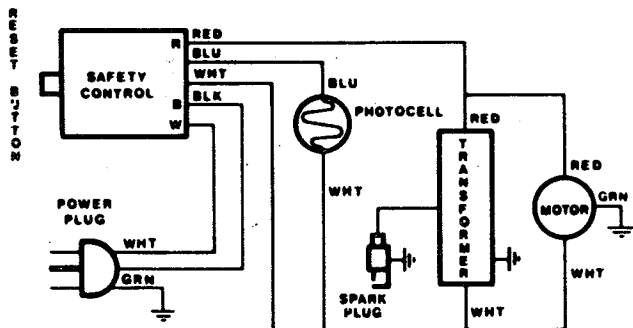
1. Remove the six (6) screws from the upper shell flanges which run along each side of the heater.
2. Grip the upper shell flange along one side of the heater, pull away from the heater to disengage it from the lower shell flange, and lift up. Disengage the opposite-side flanges and lift off the upper shell.
3. Replace the upper shell by engaging the upper and lower shells' flanges on one side of the heater, then pull out and press down the upper shell flange, on the opposite side, to engage the lower shell flange.
4. Align the six (6) screw holes and install the screws.



ELECTRICAL

1. Remove the upper shell, as described in this manual, and lift off the top fan shroud.
2. Check all internal wiring, for deterioration (hardness and cracking), obvious component damage, and loose connections. Repair or replace as necessary.

NOTE: When in doubt about your ability to repair your heater, take it to your Sears Service Center.



Spark Plug



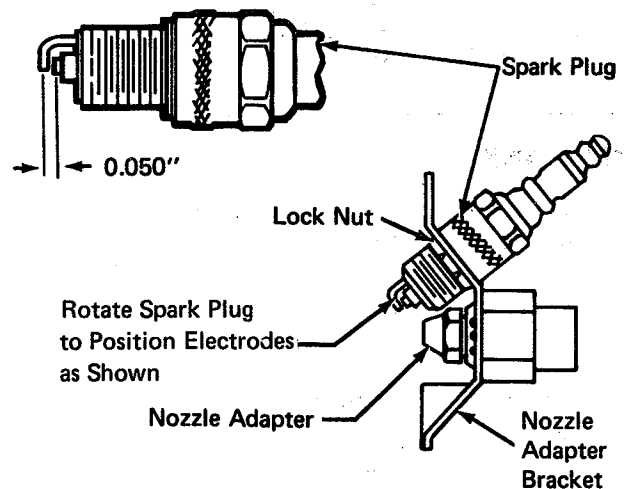
Always make sure the heater is unplugged before attempting removal of spark plug.

NOTE: At the beginning of each heating season, and after every 300 hours of operation, the spark plug must be removed, cleaned, and gapped. If plug's electrodes are burned or eroded, replace the plug.

3. Pull the spark plug wire terminal up and off of plug.
4. Remove two (2) screws and the nozzle adapter bracket which mounts the spark plug and nozzle adapter.
5. Remove the lock nut retaining the spark plug in the bracket and remove the plug from the bracket.
6. Clean and gap the plug's electrodes to 0.050", or replace the plug if necessary, making sure the new plug is properly gapped.
7. Insert the plug into the bracket and thread the locknut

onto the plug. Before tightening the nut, position the plug so the gap between the electrodes faces the nozzle adapter, as illustrated. Tighten the nut.

8. Position the nozzle adapter bracket so screw holes align. Insert and tighten both screws.
9. Push the spark plug wire terminal onto plug.
10. Set the top fan shroud in position and install the upper shell.

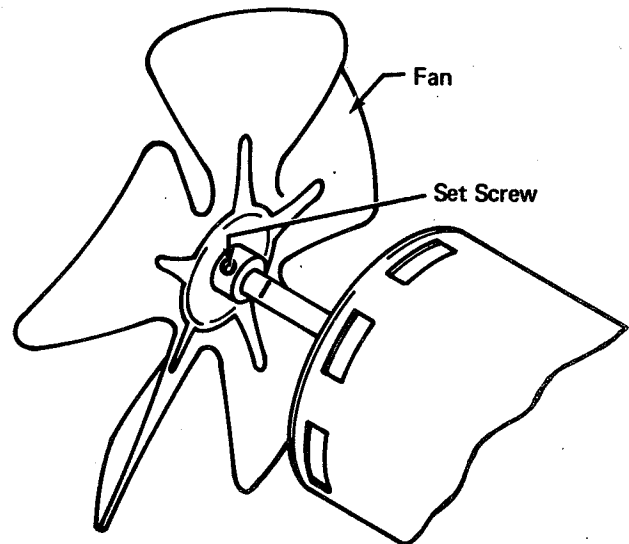


MOTOR

The motor is a sealed unit and cannot be lubricated or serviced electrically.

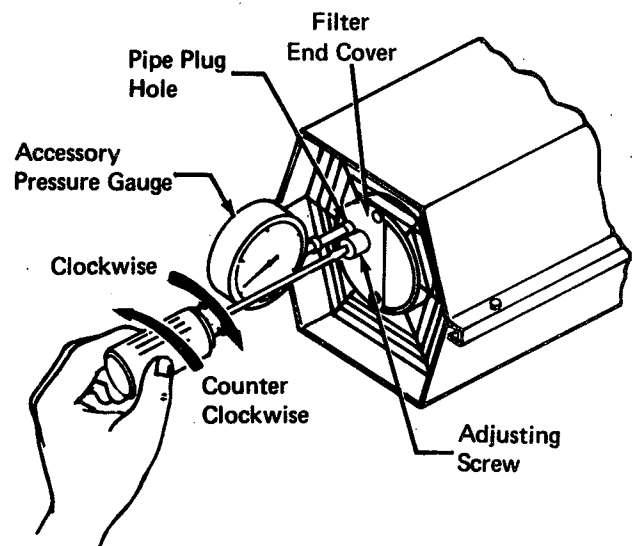
CLEANING THE FAN

1. Remove the upper shell, as described in this manual, and lift off the top fan shroud.
2. Wash the mounted fan with a damp cloth then dry carefully so as not to bend the blades. If fan is very dirty, loosen the fan setscrew and slip the fan off of the motor shaft. Wash the fan in detergent and water, and then dry the fan carefully so as not to bend the blades.
3. Slip the fan onto the motor shaft and tighten the set-screw, as illustrated.
4. Set the top fan shroud in position and install the upper shell.





ADJUSTMENTS

1. Remove the plug from the filter end cover and thread the accessory pressure gauge into the hole.
2. Start the heater and allow it to burn.
3. The pressure gauge should read 3.0 PSI. If not, turn the adjusting screw in (clockwise) to increase the pressure or out (counter clockwise) until the gauge reads 3.0 PSI.
4. Unplug the heater.
5. Remove the gauge and replace the plug.



TROUBLESHOOTING YOUR HEATER

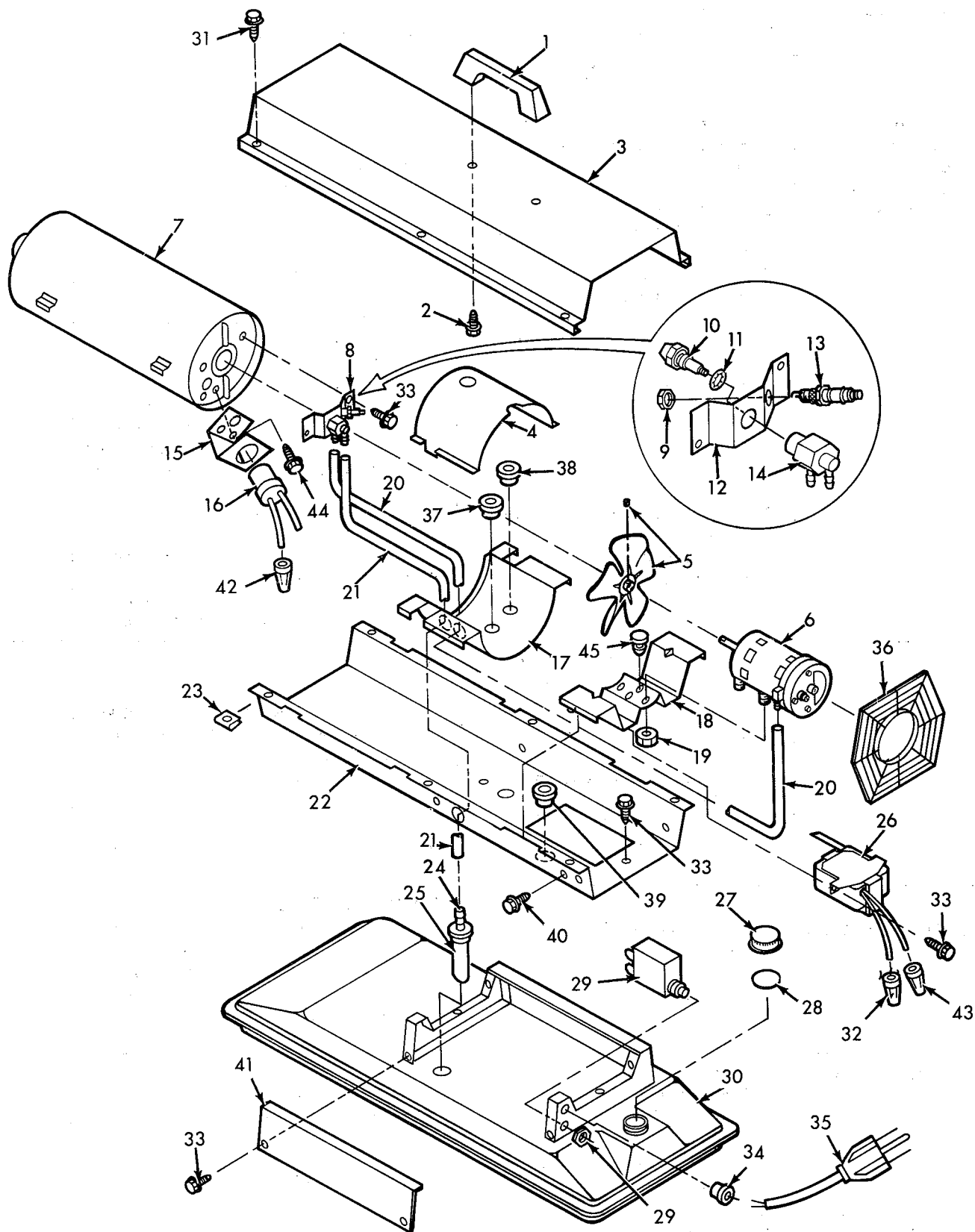
TROUBLE	POSSIBLE CAUSE	POSSIBLE REMEDY	PAGE
Heater is plugged in but motor does not start; thermostat (if used) is set to call for heat but motor does not start.	ELECTRICAL TROUBLES		
	1. No power or low voltage at heater. 2. Safety control not functioning. 3. Motor not functioning. 4. Thermostat control (if used) not functioning.	1a. Press reset button on safety control. 1b. Be sure outlet is delivering adequate voltage. 1c. Check condition of heater and extension cord. Repair or replace. 1d. Be sure extension cord complies with requirements as stated in this manual. 2. Replace safety control. 3. Check motor. Replace if necessary. 4. Replace thermostat control.	5 3 5 3 — — —
	MECHANICAL TROUBLES		
	1. Fan obstructed by mechanical damage or dirt.	1a. Check for bent sheetmetal shells or shrouds; replace if necessary. 1b. Check for damaged fan; clean or replace if necessary. 1c. Check for damaged motor mounting bracket; replace if necessary. 1d. Check pump for easy rotation; clean or replace if necessary.	— 8 — —
Heater will not ignite, but motor runs for a short time.	FUEL SYSTEM TROUBLES		
	1. Fuel tank empty; water in fuel; wrong fuel. 2. Fuel filter clogged. 3. Nozzle plugged or damaged. 4. Extremely low temperature may cause fuel to thicken and not flow. 5. Dirty air filters. 6. Air leak at fuel filter.	1a. Fill tank if empty. 1b. Check for water in tank; clean tank and fuel filter if water is found (water in the tank will form globules in the bottom which can be seen). 1c. Add fresh, clean fuel to tank. 2. Remove and wash in clean fuel. Reinstall. 3a. Clean by blowing compressed air through nozzle from outlet end. 3b. Replace nozzle if cleaning does not solve problem. 4. Add a nontoxic anti-icer such as "Heet", Methanol Alcohol, or "Frostex", to fuel. 5. Clean air filters. 6. Check fuel tank to fuel filter fit and fuel line to fuel filter fit for air leaks. Seal as necessary.	3 6 6 6 — — 3 6 —
	IGNITION TROUBLES		
	<div style="text-align: center;">  </div> 1. Spark plug wire disconnected from plug. 2. Damaged spark plug (wrong gap; plug wet with fuel; electrodes carboned; or plug damaged). <div style="text-align: center;">  </div> 3. Damaged transformer.	1. Install wire on plug. 2a. Gap between electrodes should be 0.050" or about thickness of a dime. Adjust electrode gap. 2b. Dry plug. 2c. Inspect plug for worn or eroded electrodes, replace if necessary. 2d. Replace a damaged spark plug. 3. Unplug heater cord, disconnect spark plug wire and connect heater cord. Check transformer for spark; replace if no spark can be obtained.	7 7 7 7 7 7

TROUBLESHOOTING YOUR HEATER

TROUBLE	POSSIBLE CAUSE	POSSIBLE REMEDY	PAGE
IGNITION TROUBLES			
Button on safety control will not stay in when pressed.	<ol style="list-style-type: none"> 1. Resetting is tried too soon after the safety control trips. 2. Damaged safety control. 	<ol style="list-style-type: none"> 1. Wait five (5) minutes and try again. 2. Replace safety control. 	<p style="text-align: center;">5</p> <p style="text-align: center;">—</p>
IMPROPER FUEL-AIR MIXTURE			
(Not enough fuel)			
Heater burns, but puffs of smoke can be seen; heater will not burn steady; heater burns with odor; heater smokes continuously.	<ol style="list-style-type: none"> 1. Heater running out of fuel; water condensation in fuel tank; wrong fuel. 2. Dirty air filters causing reduced air flow through nozzle, resulting in low fuel flow. 3. Fuel filter loose, dirty, or connection loose. 4. Dirty nozzle. 5. Fan blade. 6. Loose air output line connections between filter housing and burner. 7. Rubber bushing on shank of nozzle is leaking (remote possibility). 	<ol style="list-style-type: none"> 1a. Check fuel tank. If globules of water are seen in bottom, drain and flush tank and filter with clean fuel. 1b. Fill tank with fresh, clean fuel. 2. Remove and clean air filters. Be sure air intake is not blocked. 3a. Remove and wash fuel filter in clean fuel. 3b. Tighten connection between fuel line and burner. 3c. Replace fuel line if necessary. 4. Blow compressed air through nozzle from outlet end. Never use a drill, wire, or other tool to open a nozzle passage. 5. Check for excessive dirt accumulation on fan blade which could be causing motor to slow down; wash fan. 6. Tighten connections. 7. If heater puffs intermittently, replace the rubber bushing (handle parts carefully to prevent damage, assemble them carefully to preserve air-tightness). 	<p style="text-align: center;">6</p> <p style="text-align: center;">3</p> <p style="text-align: center;">6</p> <p style="text-align: center;">6</p> <p style="text-align: center;">—</p> <p style="text-align: center;">—</p> <p style="text-align: center;">—</p> <p style="text-align: center;">8</p> <p style="text-align: center;">—</p> <p style="text-align: center;">—</p>
IMPROPER FUEL-AIR MIXTURE			
(Too much fuel, or not enough air for amount of fuel being supplied)			
Flames come out front of heater.	<ol style="list-style-type: none"> 1. Dirty fan; or air passageway through heater blocked by dirt or trash. 2. Fan loose or improperly located on shaft. 3. Bent or damaged fan. 4. High pump pressure. 	<ol style="list-style-type: none"> 1. Clean the fan. Be sure the air passageway through the heater is clean. Keep the heater clean. 2. Tighten or reposition fan. 3. Replace. Do not attempt repair of fan. 4. Check pressure; adjust for proper reading. 	<p style="text-align: center;">8</p> <p style="text-align: center;">8</p> <p style="text-align: center;">8</p> <p style="text-align: center;">8</p>
ELECTRICAL SYSTEM TROUBLES			
Heater cycles intermittently	<ol style="list-style-type: none"> 1. Damaged electrical supply or damaged connections. 	<ol style="list-style-type: none"> 1a. Be sure extension cord and heater cord are in good condition, without intermittent breaks in cords or prongs. 1b. Check mechanical wiring connections in heater and be sure that wiring is in good condition. 	<p style="text-align: center;">5</p> <p style="text-align: center;">7</p>
Heater ignites, but button of safety control pops out.	<ol style="list-style-type: none"> 1. Dirty photocell face. 2. Damaged photocell. 3. Damaged safety control. 4. Damaged electrical connections through photocell and safety control. 	<ol style="list-style-type: none"> 1. Clean face. 2. Replace photocell. 3. Replace safety control. 4. Be sure all wiring connections are secure and wiring is in good condition. Check wiring diagram and repair or replace as necessary. 	<p style="text-align: center;">—</p> <p style="text-align: center;">—</p> <p style="text-align: center;">—</p> <p style="text-align: center;">7</p>
Safety control fails to trip when a no-flame condition exists.	<ol style="list-style-type: none"> 1. Safety control damaged. 2. Photocell electrical leads shorted. 	<ol style="list-style-type: none"> 1. Replace safety control. 2. Check photocell leads; replace photocell if necessary. 	<p style="text-align: center;">—</p> <p style="text-align: center;">—</p>

REPAIR PARTS

SEARS PORTABLE HEATER MODEL 583.356000



REPAIR PARTS

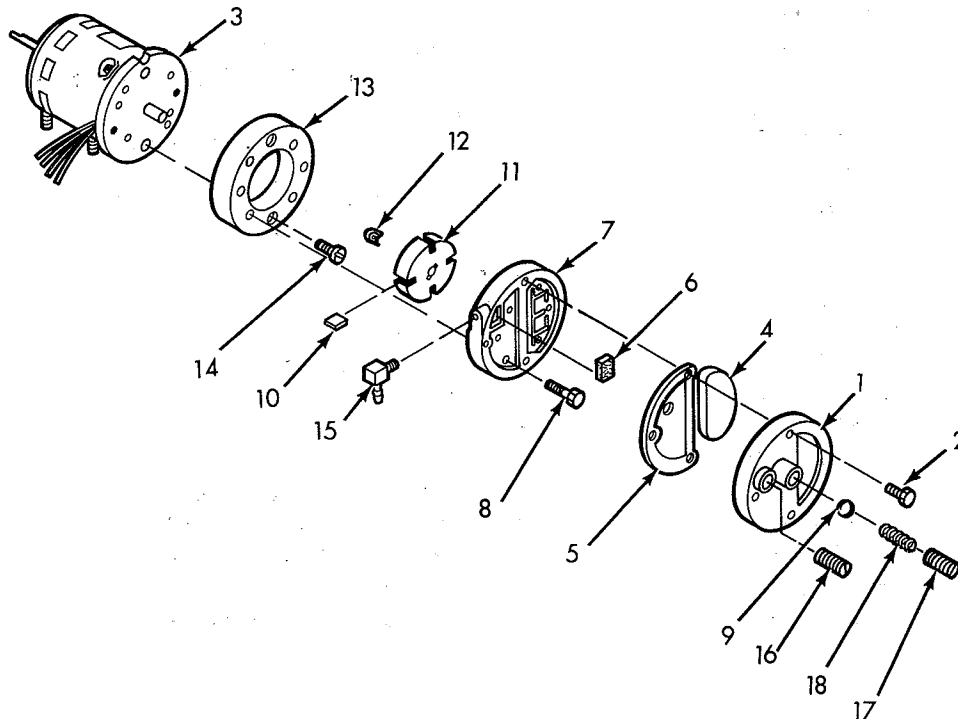
SEARS PORTABLE HEATER MODEL 583.356000

KEY NO.	PART NUMBER	PART DESCRIPTION
1	079437-01	Handle
2	M50589-01	Screw (10-14 x 9/16, 2 Required)
3	079424-01BF-	Upper Shell
4	M50834	Fan Shroud (Top)
5	M29678	Fan w/Setscrew
6	M29750-05	Motor and Pump Assembly (Also See Page 13)
7	M50785-02	Combustion Chamber
8	M29707-04	Burner Head Assembly (Includes Keys 9-14)
9	M29824	Special Lock Nut (14MM)
10	M29681	Siphon Nozzle
11	M16741-18	Retaining Ring
12	M51013-01	Nozzle Adapter Bracket
13	M29835-2	Spark Plug
14	M29805	Nozzle Adapter
15	M16660	Photocell Bracket
16	M16656-4	Photocell
17	M50833	Fan Shroud (Bottom)
18	M51061-01	Motor Mounting Bracket
19	NTC-4C	Hex Torque Nut (2 Required)
20	M29652-04	Airline (Rubber Tubing)
21	M29652-05	Fuel Line (Rubber Tubing)
22	079423-01BF	Lower Shell
23	M11271-8	Clip Nut (6 Required)
24	M10990-3	Bushing
25	M29814-04	Fuel Filter
26	M50570-03	Transformer
27	M51000-01	Fuel Tank Cap
28	M51002-01	Fuel Tank Cap Gasket
29	M50671-01	Safety Control w/Reset Button and Hex Nut
30	079422-01BH	Fuel Tank
31	M11084-27	Screw (10-16 x 1/2, 6 Required)
32	M13942-5	Wire Connector (Red Wires)
33	M11084-26	Screw (10-16 x 3/8, 12 Required)
34	M11143-1	Strain Relief Bushing
35	M10813-81	Extension Cord
36	M50837	Fan Guard
37	M25907	Snap Bushing
38	M30865-02	Open/Closed Bushing
39	M50104-02	Shorty Bushing
40	M15823-37	Screw (Grounding, 8-18 x 1/4)
41	079552-01BH	Side Cover
42	M13942-7	Wire Connector (Blue Wires)
43	M13942-6	Wire Connector (White Wires)
44	M10908-2	Screw (6-32 x 3/8, 2 Required)
45	M50631	Rubber Bumper (2 Required)
—	079548-01	Owner's Manual (F642-15684)

REPAIR PARTS

MOTOR AND PUMP ASSEMBLY MODEL 583.356000

KEY NO.	PART NUMBER	PART DESCRIPTION
—	M29750-05	MOTOR AND PUMP ASSEMBLY
1	M29609	Filter End Cover
2	M12461-31	Screw (10-32 x 1, 3 Required)
3	M50843-02	Motor
4	M29633	Intake Air Filter
5	M29612-01	Output Air Filter
6	M29632	Lint Filter
7	M29608	Pump End Cover
8	M12461-31	Screw (10-32 x 1, 6 Required)
9	M8940	Steel Ball (1/4 inch)
10	M8643	Blade (4 Required)
11	M22456-1	Pump Rotor
12	M22009	Rotor Insert
13	M8645	Pump Body
14	FHPF3-4C	Screw (10-32 x 1/2, 2 Required)
15	M50016	90° Elbow
16	M22997	Pipe Plug
17	M27694	Adjusting Screw
18	M10993-1	Pressure Relief Spring



SEARS

OWNER'S MANUAL

SERVICE

MODEL NO. 583.356000

HOW TO ORDER REPAIR PARTS

REPAIR PARTS

SEARS PORTABLE HEATER
MODEL 583.356000

PARTS AVAILABLE—NOT SHOWN

M9900-157	Wire (Red)
079554-01	Nameplate Decal
079428-01	Tradename Decal
M51168-01	Warranty Decal
M50011	Spark Plug Decal
M51110-03	Warning Decal
079548-01	Owner's Manual
M51138-03	Wiring Decal

OPTIONAL ACCESSORIES

583.409960	Pressure Gauge
583.401050	Wheel and Handle Kit

SEARS PORTABLE HEATER

Should a need for repair parts or service occur, contact a Sears Service Center. Be sure to provide all pertinent facts when you call or visit. The model and serial number of your portable heater will be found on a decal located on top of the heater, towards the rear.

WHEN ORDERING REPAIR PARTS, ALWAYS GIVE THE FOLLOWING INFORMATION:

1. Part Number
2. Model Number
3. Part Description
4. Name or Merchandise

If the parts you need are not stocked locally, your order will be electronically transmitted to a Sears Repair Parts Distribution Center for "expedited handling".

Sears, Roebuck and Co., Chicago, IL 60684

Free Manuals Download Website

<http://myh66.com>

<http://usermanuals.us>

<http://www.somanuals.com>

<http://www.4manuals.cc>

<http://www.manual-lib.com>

<http://www.404manual.com>

<http://www.luxmanual.com>

<http://aubethermostatmanual.com>

Golf course search by state

<http://golfingnear.com>

Email search by domain

<http://emailbydomain.com>

Auto manuals search

<http://auto.somanuals.com>

TV manuals search

<http://tv.somanuals.com>