

Item No. APG3004A



Owner's Manual

1000W 2 STROKE GENERATOR



Please read and save these instructions.

HAVE QUESTIONS OR NEED SERVICE

DO NOT RETURN TO STORE!

PLEASE CALL TOLL FREE: 888.896.6881



www.allpoweramerica.com

1000 WATT GENERATOR

Table of Contents

Topic	Page
Table of Contents	2
Safety Information	3
Exploded View	4
Part List	5
Specifications	8
Components	9
Starting Your Generator	10
Operating Your Generator	10
Stopping Your Generator	10
Maintenance	10
Storage	11
Statement	11
Trouble Shooting	12
Generator Theory Diagram	13
Limited warranty	14

1000 WATT GENERATOR

Safety Information



CAUTION

PLEASE READ AND UNDERSTAND THIS MANUAL COMPLETELY, BEFORE OPERATING THIS GENERATOR.

Never operate the engine in an enclosed area, All gasoline engines produce carbon monoxide gas while running. Breathing exhaust fumes can kill. Operate the engine in a well-ventilated area, only.

Extract from CPSC Document #5008 on Carbon Monoxide

The U.S. Consumer Product Safety Commission (CPSC) has issued the following warning regarding carbon monoxide poisoning:

- Do not use portable heaters or lanterns while sleeping in enclosed areas such as tents, campers, and other vehicles. This is especially important at high altitudes, where the risk of carbon monoxide poisoning is increased.
- Know the symptoms of carbon monoxide poisoning: headache, dizziness, weakness, nausea, vomiting, sleepiness, and confusion. Carbon monoxide reduces the blood's ability to carry oxygen. Low blood oxygen levels can result in loss of consciousness and death
- See a doctor if you or a member of your family develops cold or flu like symptoms. Carbon monoxide poisoning can easily be mistaken for a cold or flu, and is often detected too late.
- Alcohol consumption and drug use increase the effects of carbon monoxide poisoning.
- Carbon monoxide is especially toxic to mother and child during pregnancy, infants the elderly, smokers, and people with blood or circulatory system problems, such as anemia, or heart disease.

Fuel Is Highly Flammable

DO NOT refuel while engine is running.

DO NOT refuel near sparks or open flame.

DO NOT smoke while refueling.

ALWAYS allow the engine and muffler to cool before refueling.

Refuel ONLY in well-ventilated area.

DO NOT over-fill gas tank

Engine And Muffler Get Very Hot

Keep flammable materials at least 3 feet from generator.

When in use, place generator in an area where children are not likely to touch it.

Electric Shock Hazard

DO NOT operate in rain or snow, or next to body of water.

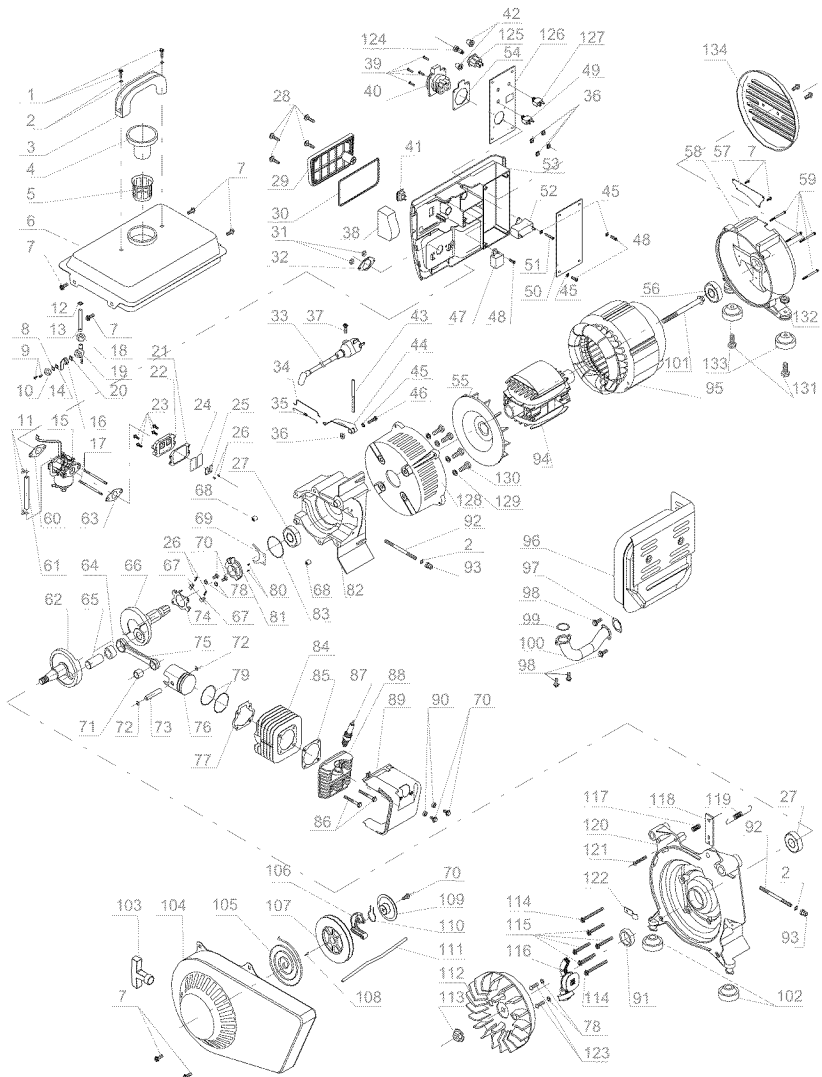
DO NOT touch with wet hands.

Be sure to USE GROUNDED PLUGS with the generator.

DO NOT connect generator to commercial power outlets.

1000 WATT GENERATOR

Exploded View



1000 WATT GENERATOR

PART LIST

APA PART NO.	PART NO.	DESCRIPTION
APG3004A-A-01-WD	GB818-85	Bolt M6x35 (2)
APG3004A-A-02-WD	GB97.1-85	Washer Ø6 (3)
APG3004A-A-03-WD	F1040001	Handle
APG3004A-A-04-WD	F1020200	Sump cover subassembly
APG3004A-A-05-WD	F1020300	Filtering net
APG3004A-A-06-WD	F1020100	Fuel tank
APG3004A-A-07-WD	GB5787-86	Bolt M6x12 (7)
APG3004A-A-08-WD	F1020401	Wave washer
APG3004A-A-09-WD	F1020402	Screw M3x4 (2)
APG3004A-A-10-WD	F1020403	Seal cover
APG3004A-A-11-WD	F1020404	Spring clamp (2)
APG3004A-A-12-WD	F1020405	Rubber washer Ø8
APG3004A-A-13-WD	F1020406	Plastic filter tube
APG3004A-A-14-WD	F1020407	Seal
APG3004A-A-15-WD	LY63-06100	Carburetor
APG3004A-A-16-WD	F1020408	Switch grip
APG3004A-A-17-WD	GB900	Double end studs M6x73 (2)
APG3004A-A-18-WD	GB6175-86	Nut M14
APG3004A-A-19-WD	F1020409	Switch grip cover
APG3004A-A-20-WD	F1020410	Special rubber gasket
APG3004A-A-21-WD	LY63Fa-06200	Gasket 1
APG3004A-A-22-WD	LY63Fa-06200	Pedestal
APG3004A-A-23-WD	LY63Fa-06200	Bolt M6x20 (4)
APG3004A-A-24-WD	LY63Fa-06200	Reed
APG3004A-A-25-WD	LY63Fa-06200	Plate stopper
APG3004A-A-26-WD	LY63Fa-06200	Screw M3x10 (4)
APG3004A-A-27-WD	GB276/6004	Ball bearing 6004.RS (2)
APG3004A-A-28-WD	GB818-85	Screw M6x25 (2)
APG3004A-A-29-WD	F1010001	Air cleaner cap
APG3004A-A-30-WD	GB1235	Dust seal
APG3004A-A-31-WD	GB6175-86	Nut M6 (2)
APG3004A-A-32-WD	LY63-01012	Gasket 2
APG3004A-A-33-WD	LY64-07300	Spark plug cover
APG3004A-A-34-WD	LY63-05006	Steel wire pull rod
APG3004A-A-35-WD	LY63-05009	Small tension spring
APG3004A-A-36-WD	GB6175-86	Nut M4 (5)
APG3004A-A-37-WD	GB5787	Bolt M6x16
APG3004A-A-38-WD	F10100100	Air cleaner filter
APG3004A-A-39-WD	GB818-85	Screw M4x10 (4)
APG3004A-A-40-WD	E-08	Electrical outlet
APG3004A-A-41-WD	KCD1	Switch
APG3004A-A-42-WD	KGZ-01-1	Rubber cap
APG3004A-A-43-WD	LY63-05001	Pin for pole
APG3004A-A-44-WD	LY63-05005	Pole
APG3004A-A-45-WD	GB97.1-85	Washer Ø4 (3)
APG3004A-A-46-WD	GB5787	Bolt M4x30
APG3004A-A-47-WD	LY63Fa-07200	Protector

1000 WATT GENERATOR

PART LIST

APA PART NO.	PART NO.	DESCRIPTION
APG3004A-A-48-WD	GB845-85	Screw ST4x12 (3)
APG3004A-A-49-WD	SCP-3.5A	AC Set
APG3004A-A-50-WD	F1010004	Plate thrust
APG3004A-A-51-WD	GB845-85	Screw ST4x18
APG3004A-A-52-WD	CBB61 12 μ F	Condenser 12 μ F 350V
APG3004A-A-53-WD	F1010100	Pedestal air cleaner
APG3004A-A-54-WD	E-08-1	Rubber gasket
APG3004A-A-55-WD	LY160-0.65-1	Fan assy
APG3004A-A-56-WD	LY160-0.65-2	Ball bearing 6202.2RZ
APG3004A-A-57-WD	F1020002	Hold of fuel tank
APG3004A-A-58-WD	F1050002	Cover left
APG3004A-A-59-WD	GB5787	Bolt M6x80 (3)
APG3004A-A-60-WD	LY63-01002	Gasket 3
APG3004A-A-61-WD	LY63Fa-06101	Rubber fuel tube
APG3004A-A-62-WD	LY63-04102	Crankshaft right
APG3004A-A-63-WD	LY63-01003	Air intake pipe gasket
APG3004A-A-64-WD	LY63-04105	Oil bearing KZK 16 \times 22 \times 11.5
APG3004A-A-65-WD	LY63-04103	Crankshaft's pin
APG3004A-A-66-WD	LY63-04101	Crankshaft left
APG3004A-A-67-WD	LY63-05102	Centrifugal block (2)
APG3004A-A-68-WD	LY63-02103	Centring pin (2)
APG3004A-A-69-WD	LY63-05002	Fork for regulator
APG3004A-A-70-WD	GB5787	Bolt M6x10 (5)
APG3004A-A-71-WD	GB5801-94	Oil bearing KBK 10x14x12.5
APG3004A-A-72-WD	LY63Fa-04205	Piston's pin circlip (2)
APG3004A-A-73-WD	LY63-04202	Piston's pin
APG3004A-A-74-WD	ly63-05101	Bracket
APG3004A-A-75-WD	LY63-04104	Connecting rod
APG3004A-A-76-WD	LY63-04201	Piston
APG3004A-A-77-WD	LY63-01006	Gasket for cylinder
APG3004A-A-78-WD	GB93-87	Spring washer \varnothing 6 (4)
APG3004A-A-79-WD	LY63-04203	Piston's ring (2)
APG3004A-A-80-WD	GB818-85	Screw M3x8 (2)
APG3004A-A-81-WD	LY63-05003	Block adjuster
APG3004A-A-82-WD	LY63-02102	Crankcase, right
APG3004A-A-83-WD	GB893.2	Circlip \varnothing 45
APG3004A-A-84-WD	LY63Fa-03201a	Cylinder
APG3004A-A-85-WD	LY63-01006	Cylinder head gasket
APG3004A-A-86-WD	GB5787	Bolt M6x100 (2)
APG3004A-A-87-WD	LY63-07400	Spark plug
APG3004A-A-88-WD	LY63-03202	Cylinder head
APG3004A-A-89-WD	LY63Fa-08201	Wind diversion
APG3004A-A-90-WD	LY63Fa-08202a	Collar (2)
APG3004A-A-91-WD	LY63-01008	Oil seal (2)
APG3004A-A-92-WD	GB900	Double end studs M6x113 (2)
APG3004A-A-93-WD	LY63Fa-01014	Nut M6 (2)
APG3004A-A-94-WD	LY160-0.65	Armature

1000 WATT GENERATOR

PART LIST

APA PART NO.	PART NO.	DESCRIPTION
APG3004A-A-95-WD	LY160-0.65	Stator
APG3004A-A-96-WD	LY63-09000	Muffler weldment assy
APG3004A-A-97-WD	LY63-09000	Gasket 5
APG3004A-A-98-WD	LY63-09000	Bolt M6x18 (4)
APG3004A-A-99-WD	LY63-09000	Gasket 6
APG3004A-A-100-WD	LY63-09000	Exhaust pipe assy
APG3004A-A-101-WD	GB5787	Bolt M8x140
APG3004A-A-102-WD	LY63-00102F2	Pad (2)
APG3004A-A-103-WD	LY63Fa-10004	Starting handle
APG3004A-A-104-WD	LY63Fa-10101	Starter cover
APG3004A-A-105-WD	LY63Fa-10005a	Start coil-spring
APG3004A-A-106-WD	LY63Fa-10002	Block return
APG3004A-A-107-WD	LY63Fa-10001	Starter wheel
APG3004A-A-108-WD	LY63Fa-10104	Wheel reinforcement
APG3004A-A-109-WD	LY63Fa-10003	Wheel stopper
APG3004A-A-110-WD	LY63-10006	Fixing spring
APG3004A-A-111-WD	LY63-10007	Rope
APG3004A-A-112-WD	LY63-08100	Fly wheel assy
APG3004A-A-113-WD	GB6175-86	Nut M10
APG3004A-A-114-WD	GB5787	Bolt M6x55 (2)
APG3004A-A-115-WD	GB5787	Bolt M6x45 (4)
APG3004A-A-116-WD	LY63Fa-07100a	Ignition coil
APG3004A-A-117-WD	LY63-05007	Spring
APG3004A-A-118-WD	LY63-05005	Fixing plate
APG3004A-A-119-WD	LY63-05008	Tension spring
APG3004A-A-120-WD	LY63-02101	Crankcase, left
APG3004A-A-121-WD	GB818-85	Screw M6x40
APG3004A-A-122-WD	LY63-01013	Clip
APG3004A-A-123-WD	GB818-85	Screw M6x14 (2)
APG3004A-A-124-WD	PL220	Indicator
APG3004A-A-125-WD	CZ-01	ENG.SW
APG3004A-A-126-WD	F1010007	PANEL
APG3004A-A-127-WD	SCP-10A	DC RESET
APG3004A-A-128-WD	F1050001	Front Cover
APG3004A-A-129-WD	GB862.1	FASTEN GASKET
APG3004A-A-130-WD	GB5780-86	BOLT M8x20(4)
APG3004A-A-131-WD	GB5780-86	BOLT M8x30(2)
APG3004A-A-132-WD	GB6175-86	Flange Nut M8(2)
APG3004A-A-133-WD	LY160-0.65-3	Pad (2)
APG3004A-A-134-WD	LY160-0.65-4	Right side cover

1000 WATT GENERATOR

Specifications

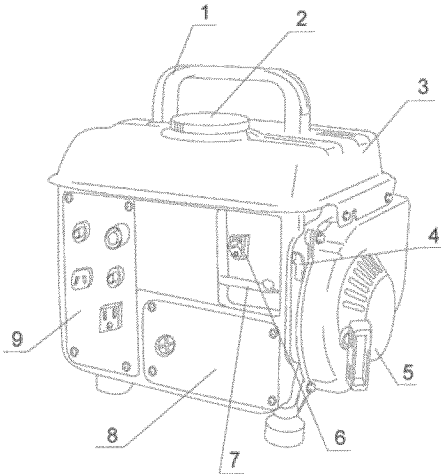
DIMENSIONS	
Length	15 in.
Width	12 in.
Height	14 in.
Weight	44.0 lbs

ENGINE	
Type	Air cooled 2-stroke
Fuel	Nonleaded gasoline with a minimum of 90% octane
Oil	Two-stroke lubrication
Gasoline and oil mixing ratio	50 : 1
Displacement	63 cc
Starting System	Recoil (Electronic Ignition)
Driving System	Direct Coupling, Taper Fit
Spark Plug	F6RTC
Governor	Mechanical(Adjustable)
Cooling System	Forced Air
Carburetor Type	
Air Cleaner Type	Sponge element
Compression Rate	6
Rated Output	1.5 HP @ 3600 rpm
Fuel Tank Capacity	1.2 Gal.

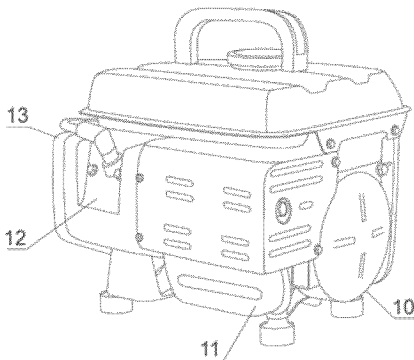
GENERATOR	
AC Output Rating	115 Volts
Frequency	60 Hz
AC Current	7.5Amps
Rated Output, Continuous	850 Watts
DC Output Rating	12 Volts
DC Current	10 Amps
Power Factor	$\text{COS}\phi = 1$

1000 WATT GENERATOR

Generator Components



1. Handle
2. Fuel Cap
3. Fuel Tank
4. Fuel Shut-off
5. Recoil Starter
6. Engine On-Off Switch
7. Throttle Lever
8. Air Cleaner
9. Control Panel
10. Generator
11. Muffler
12. Cylinder
13. Spark Plug



1000 WATT GENERATOR

STARTING THE ENGINE

1. Disconnect all electric appliances from generator before starting.
2. Turn fuel shut-off lever to "ON".
3. Move Choke lever all the way to the left.
4. Turn engine switch to "ON" position.
5. Pull recoil starter cord slowly until engaged, then pull briskly to start.
6. Once engine has started, move choke lever all the way back to the right.

CONNECTING ELECTRICAL APPLIANCES

Always allow engine to warm up before connecting any electrical load to the generator.

STOPPING ENGINE

1. Turn off all appliances, then disconnect them from the generator.
2. Turn engine Switch to "STOP" position.
3. Turn fuel shut-off lever to "OFF"
4. Allow engine to cool before attempting to move the generator or to refuel.

RESETTING BREAKER BUTTONS

If reset trips, disconnect all external electrical appliances before pushing the reset button. After reconnecting the external electrical appliance, if reset continues to trip that indicates that the electrical lead connected to the generator from one or more of the appliances may have a short circuit. In that event, discontinue use of that item until it has been checked and/or repaired by a qualified technician.

PERIODIC MAINTENANCE

Service intervals

Clean air filter after every 150 hours of run time. (If used in very dusty conditions, clean air filter after every 10 hours of run time)

1. Remove foam filter and wash in mild detergent or dish washing liquid.
2. Rinse thoroughly, than squeeze out excess water.
3. Allow to thoroughly dry at room temperature.
4. Pour a small amount of gasoline in filter element, then squeeze out any excess gasoline.
5. Replace filter.

Clean spark plug every 50 hours of run time.

1. Remove spark plug and clean electrode with wire brush.
2. Reset gap to .028- .031 in. (.7-.8mm)

1000 WATT GENERATOR

Clean fuel filter every 150 hours of run time.

1. Remove fuel filter from inside fuel tank.
2. Clean with solvent.
3. Wipe dry.
4. Insert filter back in fuel tank.

STORAGE

If the generator will not be used for more than one month, follow the following procedures:

1. Drain all fuel from engine (including fuel tank, fuel cock, and carburetor).
2. Shake tank and drain excess oil.
3. Remove spark plug and pour approximately one (1) tablespoon of motor oil into spark plug hole.
4. Replace spark plug.
5. With ignition switch in "OFF" position, pull starter cord several times until you feel piston is in its compression stroke. (resistance will increase).
6. Cover generator and store in dry, well-ventilated, place.

STATEMENT

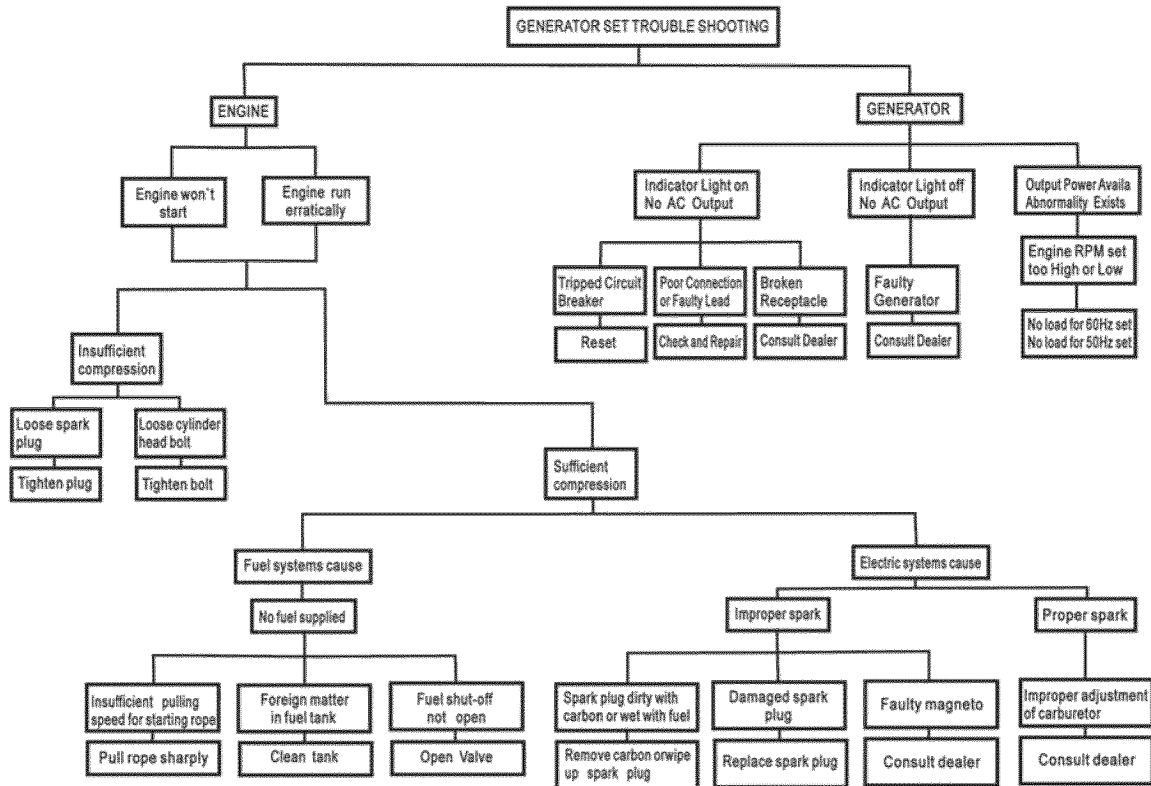
1. For non-handheld engines: The Emissions Compliance Period referred to on the Emissions Compliance label indicates the number of operating hours for which the engine has been shown to meet Federal emission requirements.

For engines less than 66 cc, Category C=50 hours, B=125 hours, and A=300 hours. For engines equal to or greater than 66 cc but less than 225 cc displacement, Category C=125 hours, B=250 hours, and A=500 hours. For engines of 225 cc or more, Category C=250 hours, B=500 hours, and A=1000 hours.

2. For handheld engines: The Emissions Compliance Period referred to on the Emissions Compliance label indicates the number of operating hours for which the engine has been shown to meet Federal emission requirements. Category C=50 hours, B=125 hours, and A=300 hours.

GENERATOR SET TROUBLE SHOOTING

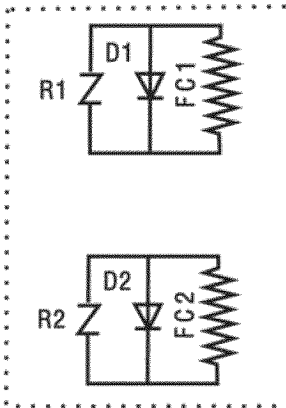
1000 WATT GENERATOR



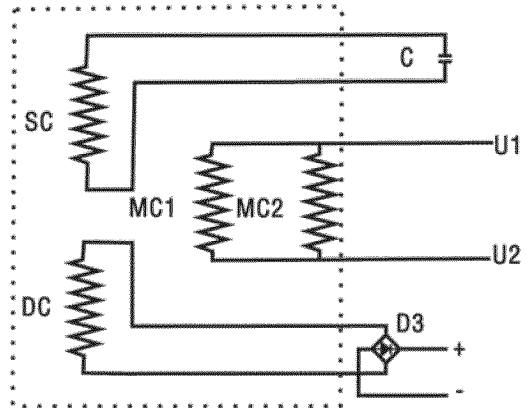
1000 WATT GENERATOR

GENERATOR THEORY DIAGRAM

Rotor



Stator



R1 > Over Volt Protective
R2 > Resistance

D1 > Spin Rectifier
D2 > Spin Rectifier

FC1 > Rotor Pole Winding
FC2 > Rotor Pole Winding

SC < Stator Auxiliary Winding

DC < Stator DC Winding

MC1 > Stator Main Winding
MC2 > Stator Main Winding

C < Capacitor

D3 < Single-phase Rectifier

1000 WATT GENERATOR

Limited Warranty

All- Power America warrants to the original purchaser who uses the product in a consumer application (personal, residential or household usage) that all products covered under this Warranty are free from defects in material and workmanship for one year from the date of purchase. All products covered by this limited Warranty which are used in commercial applications (i.e. income producing) are warranted to be free of defects in material and workmanship for 90days from the date of original purchase. Products covered under this Warranty include air compressors, air tools, service parts, pressure washers and generators.

All - Power America will repair or replace at All - Power America's sole option, products or components which have failed within the warranty period . Service will be scheduled according to the normal work flow and business hours at the service center location, and the availability of replacement parts. All decisions of All- Power America with regard to this limited warranty shall be final.

This warranty gives you specific legal rights, and you may also have other rights which vary from state to state.

RESPONSIBILITY OF ORIGINAL PURCHASER (initial User):

- To process a warranty claim on this product, DO NOT return item to the retailer. The product must be evaluated by an Authorized Warranty Service Center. For the location of the nearest Authorized Warranty Service Center contact the retailer or place of purchase.
- Retain original cash register sales receipt as proof of purchase for warranty work.
- Use reasonable care in the operation and maintenance of the product as described in the Owner's Manual(s).
- Deliver or ship the product to the nearest Authorized Warranty Service Center. Freight costs, if any, must be paid by the purchaser.
- Air compressors with 60 and 80 gallon tanks will be inspected at the site of installation. Contact the nearest Authorized Warranty Service Center that provides on-site service calls for service call arrangements.
- If the purchaser does not receive satisfactory results from the Authorized Warranty Service Center, the purchaser should contact All-Power America.

1000 WATT GENERATOR

Limited Warranty (cont'd)

THIS WARRANTY DOES NOT COVER:

- Merchandise sold as reconditioned, used as rental equipment, or floor or display models.
- Merchandise that has become damaged or inoperative because of ordinary wear, misuse, cold, heat, rain, excessive humidity, freeze damage, use of improper chemicals, negligence, accident, failure to operate the product in accordance with the instructions provided in the Owner's Manual(s) supplied with the product, improper maintenance, the use of accessories or attachments not recommended by All-Power America, or unauthorized repair or alterations.
- Repair and transportation costs of merchandise determined not to be defective.
- Costs associated with assembly, required oil, adjustments or other installation and start-up costs.
- Expendable parts or accessories supplied with the product which are expected to become inoperative or unusable after a reasonable period of use.
- Merchandise sold by All-Power America which has been manufactured by and identified as the product of another company, such as gasoline engines. The product manufacturer's Warranty, if any, will apply.
- ANY INCIDENTAL, INDIRECT OR CONSEQUENTIAL LOSS, DAMAGE, OR EXPENSE THAT MAY RESULT FROM ANY DEFECTS, FAILURE OR MALFUNCTION OF THE PRODUCT IS NOT COVERED BY THIS WARRANTY. Some states do not allow the exclusion, so it may not apply to you.
- IMPLIED WARRANTIES, INCLUDING THOSE OF MERCHANTABILITY OR FITNESS FOR A PARTICULAR PURPOSE, ARE LIMITED TO ONE YEAR FROM THE DATE OF ORIGINAL PURCHASE. Some states do not allow limitations on how long an implied warranty lasts, so the above limitations may not apply to you.

All-Power America Inc.

16273 E. Gale Ave

City Of Industry, CA 91745

all rights reserved

Free Manuals Download Website

<http://myh66.com>

<http://usermanuals.us>

<http://www.somanuals.com>

<http://www.4manuals.cc>

<http://www.manual-lib.com>

<http://www.404manual.com>

<http://www.luxmanual.com>

<http://aubethermostatmanual.com>

Golf course search by state

<http://golfingnear.com>

Email search by domain

<http://emailbydomain.com>

Auto manuals search

<http://auto.somanuals.com>

TV manuals search

<http://tv.somanuals.com>