



SIDE BY SIDE REFRIGERATOR

Write the model and serial number here:

Model # _____

Serial # _____

RS263B** **RS265L****
RS265B** **RS267L****
RS267B** **RS269L****
RS264A**

Find these numbers on a label of the
refrigerator's cabinet on the left hand-side wall.

OWNER'S MANUAL AND INSTALLATION

CONTENTS

<i>SAFETY WARNING SIGNS</i>	2
<i>OPERATING INSTRUCTIONS</i>	4
SETTING UP THE REFRIGERATOR	4
MAJOR FEATURES	4
CONTROL PANEL	5
DIGITAL PANEL	6
TEMPERATURE CONTROL	7
ICE and COLD WATER DISPENSER	7
SHELVES and BINS	8
FOOD STORAGE GUIDE	9
CoolSelect Zone™ Drawer GUIDE	11
REMOVING THE FREEZER ACCESSORIES	13
REMOVING THE REFRIGERATOR ACCESSORIES	13
CLEANING THE ACCESSORIES	14
CHANGING THE INTERIOR LIGHT	15
WATER FILTER	16
DOORS	16
<i>INSTALLATION INSTRUCTIONS</i>	17
INSTALLATION OF THE REFRIGERATOR	17
REMOVING THE REFRIGERATOR DOORS	18
REATTACHING THE REFRIGERATOR DOORS	21
LEVELING THE REFRIGERATOR	24
ADJUSTING THE CLEARANCE BETWEEN THE DOORS	25
CHECKING THE WATER DISPENSER LINE	26
INSTALLATION OF THE WATER DISPENSER LINE	27
TROUBLESHOOTING	29
<i>CONSUMER SUPPORT</i>	30
WARRANTY	30

In the U.S. for questions about features,
operation/performance, parts, accessories or service, call:

1-800-726-7864 (1-800-SAMSUNG)
www.samsung.com

Register your product at www.samsung.com/global/register

DA99-01278A REV(0.4)

SAFETY WARNING SIGNS



- Before operating the appliance, please read and retain this manual thoroughly for your reference.
- Because these following operating instructions cover various models, the characteristics of your refrigerator may differ slightly from those described in this manual.
- The appliance is not intended for use by children or infirm persons without adult supervision.
- Children should be supervised to ensure that they do not play with the appliance.

CAUTION/WARNINGS USED

 WARNING	Indicates that a danger of death or serious injury exists.
 CAUTION	Indicates that a risk of personal injury or material damage exists.

OTHER SIGNS USED

	Represents something you must NOT do.
	Represents something you must NOT disassemble.
	Represents something you must NOT touch.
	Represents something you must follow.
	Indicates that you must disconnect the power plug from the socket.
	Represents that a ground is needed to prevent electric shock.
	It is recommended that this should be handled by a service center.

To prevent injury to users or other persons, please follow the safety warning signs. After reading these owner's manual, please keep it in a safe place for reference.

WARNING SIGNS

- Do not plug several appliances into the same multiple receptacle.**
 - This could cause overheating and the risk of fire.
- Make sure that the power plug is not squashed or damaged by the back of the refrigerator .**
 - A damaged power plug may cause overheating and fire.
- Do not directly spray water inside or outside the refrigerator/ freezer.**
 - There is a risk of electric shock.
- Do not use aerosols near the refrigerator .**
 - There is a risk of explosion or fire.
- Do not bend the power cord excessively or place heavy articles on it .**
 - This constitutes a fire hazard. If the power cord is damaged, have it replaced immediately by the manufacturer or its service agent.
- Do not insert the power plug with wet hands.**
 - You may receive an electric shock.
- Do not put a container filled with water on the refrigerator.**
 - If spilled, there is a risk of fire or electric shock.
- Do not install the refrigerator in a damp place or a place where it may come in contact with water.**
 - Deteriorated insulation of the electrical parts may cause electric shock or fire.

Do not store volatile or flammable substances in the refrigerator.

- The storage of benzene, thinner, alcohol, ether, LP gas and other such products may cause explosions.



Do not disassemble or repair the refrigerator by yourself.

- You run the risk of causing a fire, malfunctions and/or personal injury.



Pull the power plug out of the socket before changing the refrigerator's interior light.

- Otherwise, there is a risk of electric shock.



If you wish to dispose of the refrigerator, throw it away by first removing the doors and seals.

- Do so in a way that it is not possible for a child to remain trapped inside.



The refrigerator must be grounded.

- You must ground the refrigerator to prevent any power leakages or electric shocks caused by current leakage from the refrigerator.



Never use gas pipes, telephone lines or other potential lightning rods as ground.

- Improper use of the ground plug can result in a risk of electric shock. If it is necessary to use an extension cord, use only a 3-wire extension cord that has a 3-blade ground plug and a 3-slot receptacle that will accept the plug on the appliance. The marked rating of the extension cord should be AC 115V~120V, 10A, or more. If a grounding adapter is used, make sure the receptacle box is fully grounded.

SAFETY WARNING SIGNS



CAUTION SIGNS



Do not overfill the refrigerator with food.

- When you open the door, an item may fall out and cause personal injury or material damage.

Do not put bottles or glass containers in the freezer.

- When the contents freeze, the glass may break and cause personal injury.

If the wall socket is loose, do not insert the power plug.

- There is a risk of electric shock or fire.



Do not disconnect the power cord by pulling on it.

- Damage to the cord may cause a short-circuit, fire and/or electric shock.
- If the power cord is damaged, it must be replaced by the manufacturer, a certified service agent or qualified service personnel.

Do not store articles on the top of the appliance.

- When you open or close the door, the articles may fall and cause personal injury and/or material damage.

Do not store pharmaceutical products, scientific materials and temperature-sensitive products in the refrigerator.

- Products that require strict temperature controls must not be stored in the refrigerator.

Do not let children hang on the door because a serious injury may occur.

If you sense pharmaceutical smells or smoke, pull out the power plug immediately and contact your SAMSUNG Electronics service center.



Do not touch the inside walls of the freezer or products stored in the freezer with wet hands.

- It may cause frostbite.

Do not insert your hands into the bottom area under the appliance.

- Any sharp edges may cause personal injury.

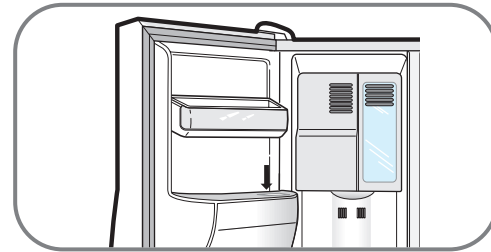
Never put fingers or other objects into the dispenser hole and ice chute. It may cause personal injury or material damage



DANGER

Risk of child entrapment. Before you throw away your old refrigerator or freezer

- Take off the doors
- Leave the shelves in places so that children may not easily climb inside.



Do not use a wet or damp cloth when cleaning the plug. Remove any foreign matter or dust from the power plug pins.

- Otherwise there is a risk of causing a fire.

- If the refrigerator is disconnected from the power supply, you should wait for at least five minutes before plugging it back in.



If the refrigerator is not to be used for a long period of time, pull out the power plug.

- Deterioration in the insulation may cause fire.



- The appliance is not intended for use by young children or infirm persons without supervision.

Young children should be supervised to ensure that they do not play with the appliance.

- Do not place the equipment directly under the sunlight, etc.

- The appliance must be positioned so that the plug is accessible after installation.

- If the power cord is damaged, it must be replaced by the manufacturer, a certified service agent or a qualified service personnel.

- If you have a long vacation planned, empty the refrigerator and turn it off. Wipe excess moisture from the inside and leave the doors open. Otherwise, odor and mold may develop.



Service warranty section

- Any changes or modifications performed by a 3rd party on a finished product is not covered under Samsung warranty service

Safety Caution section

- Samsung does not recommend 3rd party modification, therefore Samsung is not responsible for safety issues that result from 3rd party modifications.

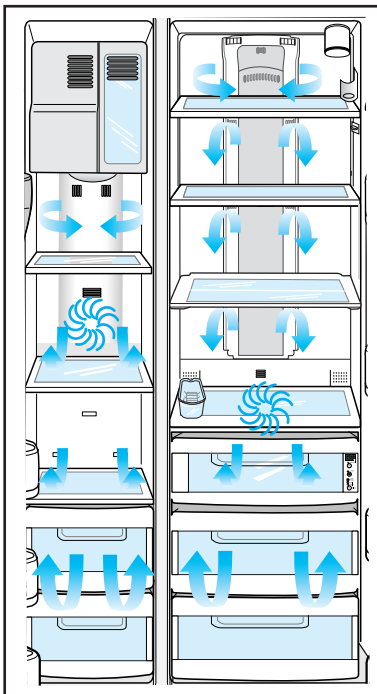
SETTING UP THE REFRIGERATOR

Once you have performed the following steps, your refrigerator should be fully operational. If not, check the power supply and electricity source. If you have any questions, contact your SAMSUNG service center.

- 1** Place the refrigerator in an appropriate location with reasonable clearance between the wall and the refrigerator. (refer to installation instructions in this manual)
- 2** When the refrigerator is plugged in, the interior light should come on when you open the doors.

- 3** Set the temperature control to the coldest temperature and wait for an hour. The freezer should get slightly chilled and the motor should run smoothly.
- 4** Once the refrigerator temperature is sufficiently low, you can store food in the refrigerator. After starting the refrigerator, it takes a few hours to reach the appropriate temperature.

MAJOR FEATURES



Twin Cooling System

- The refrigerator and the freezer have two evaporators. Given this independent system, the freezer and the refrigerator are cooled individually and are, therefore, more efficient. Food odor from the refrigerator does not affect food in the freezer due to separate air flow circulation.

Multi-Flow System

- Cool air circulates through multiple vents on every shelf level. This provides even distribution of cooling inside cabinets to keep your food fresh longer.

Xtra Space™

- Vertical room next to the ice maker in the freezer provides space for pizza etc.

Door Alarm

- Beeper reminds you that the door is open.

Xtra Fresh™

- Optimized humidity control keeps vegetables & fruits fresh.

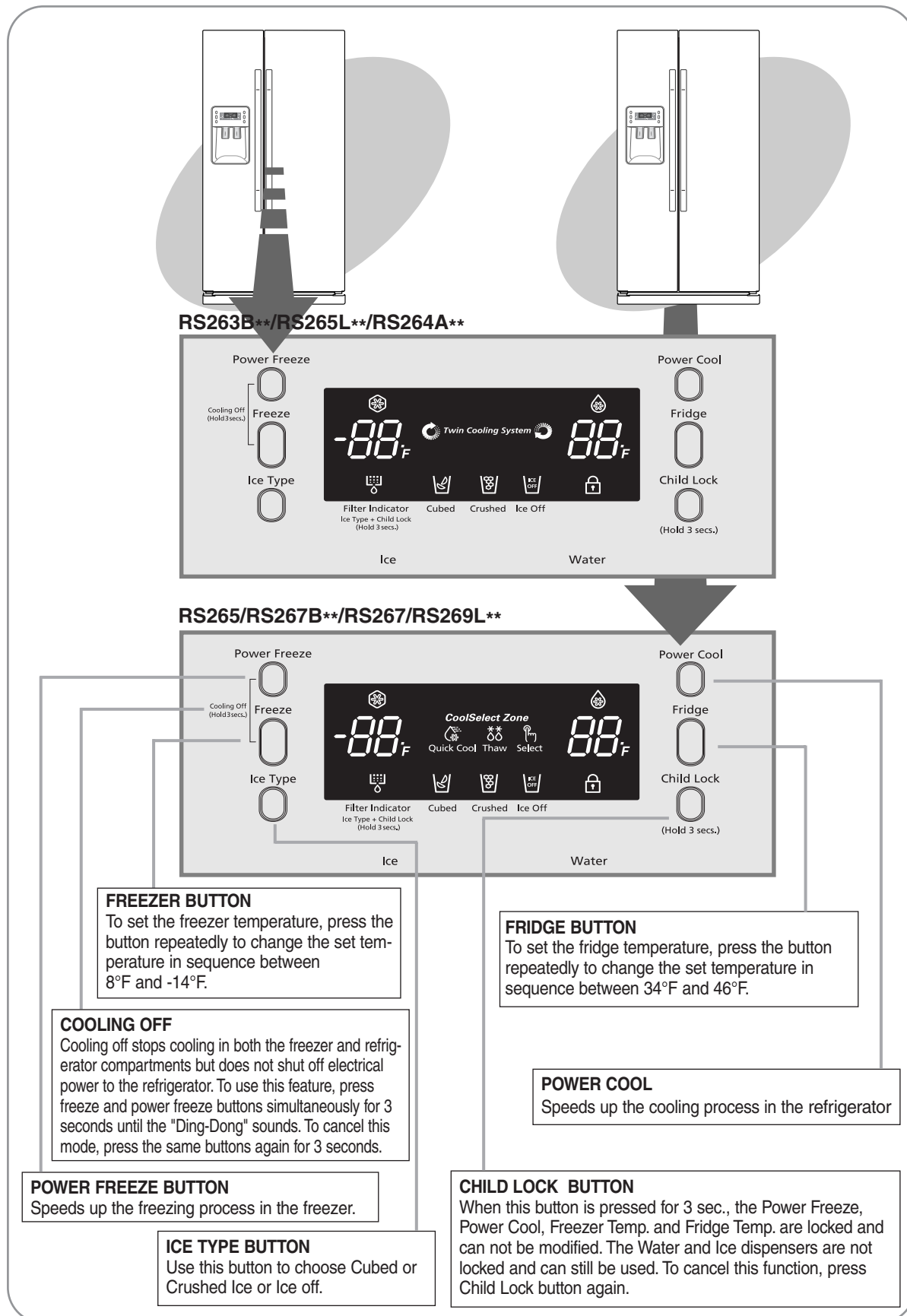
Deodorizer (on some models)

- Reusable deodorizer keeps the refrigerator air fresh and odor free.

CoolSelect Zone™ Drawer (RS265B/RS267/RS269)

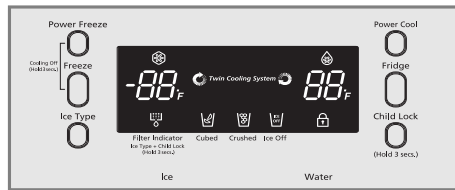
- User can select Quick Cool, Thaw and Select buttons to quickly chill, thaw and cool items. Select Soft Freeze, Cool or Chill to control the temperature of drawer.

CONTROL PANEL



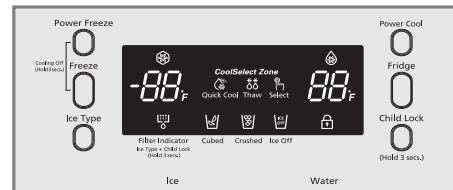
OPERATING INSTRUCTIONS

DIGITAL PANEL



RS263B**/RS265L**/RS264A**

OR



RS265/RS267B**/RS267/RS269L**

Freezer indicates the current freezer temperature.
Fridge indicates the current refrigerator temperature.
Quick Cool, Thaw, and Select show the status of the CoolSelect Zone™ Drawer

Power Freeze



- This light goes on when you press the Power Freeze button. Press this button to quickly return the freezer to its set temperature.
- This feature enables you to get ice faster.
- Press the button again to cancel the Power Freeze mode.

❗ If you use this function, energy consumption will increase. Please turn off when not using this function.

Power Cool



- This light goes on when you press the Power Cool button. Press this button to quickly return the refrigerator to its set temperature.
- Press this button again to cancel the Power Cool mode.

Cubed Ice, Crushed Ice and Ice Off

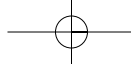


- Press the Ice Type button in sequence to choose Cubed Ice, Crushed Ice or Ice Off to stop making ice.
- Lit icon indicates the ice type currently chosen.

Filter Indicator



- Change filter every 6 months. If indicator is orange, or purple on some models the filter has 1 month left. If indicator is red, quick replacement is strongly recommended.
- When the water filter is replaced, reset the indicator by pressing the Ice Type button and the Child Lock buttons simultaneously for 3 seconds.
- To turn this indicator off, press the Ice Type and Child Lock buttons simultaneously and hold for 5 seconds.



TEMPERATURE CONTROL

Freezer

- The freezer temperature can be set between 8°F and -14°F.
- Press the **Freezer** button **repeatedly** until the desired set temperature is shown in the temperature display.
- The temperature display changes in sequence between 8°F and -14°F. When the display reaches 8°F, it returns to -14°F.
- After five seconds, the display reverts to the actual freezer temperature. The unit will then work to adjust to the new desired temperature.

Refrigerator

- The refrigerator temperature can be set between 46°F and 34°F.
- Press the **Fridge** button repeatedly until the desired temperature is shown in the temperature display.
- The temperature display changes in sequence and reverts in the same way as the freezer.






WARNING

- When ice cream is stored above 4°F in freezer, it may melt.
- The temperature of the freezer or the refrigerator rises from frequent openings and from warm food. This may cause the digital display to blink. The digital display will stop blinking when the freezer and refrigerator return to normal temperature.

If the temperature control does not reset the temp, unplug the refrigerator, wait 9 min, then plug it back in.

ICE and COLD WATER DISPENSER

Press the Ice Type button to select the type of ice:

- Cubed ice  For Cubed ice
- Crushed ice  For Crushed ice
- No ice  No ice
For ice off

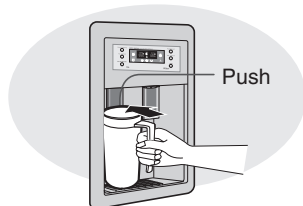


NOTE

If the Ice remains in the Ice bucket, cubed ice is obtained. Ice stays in cube form and is crushed when the Crushed ice button is pressed.

Push the ice dispenser lever with a cup.

- Place a cup in line with the dispenser to prevent ice from jumping out.



NOTE

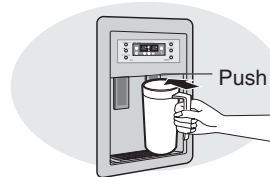
To avoid injury, never put fingers or any other objects in the dispenser opening.

Water Dispenser

The capacity of the water tank is approximately 0.3 gal.

Cold Water

- Push the water dispenser lever with a cup.
- If you have just installed the refrigerator or installed a new water filter, throw away the first six glassfuls of water or until water flows cleanly to flush out impurities in the water supply system.

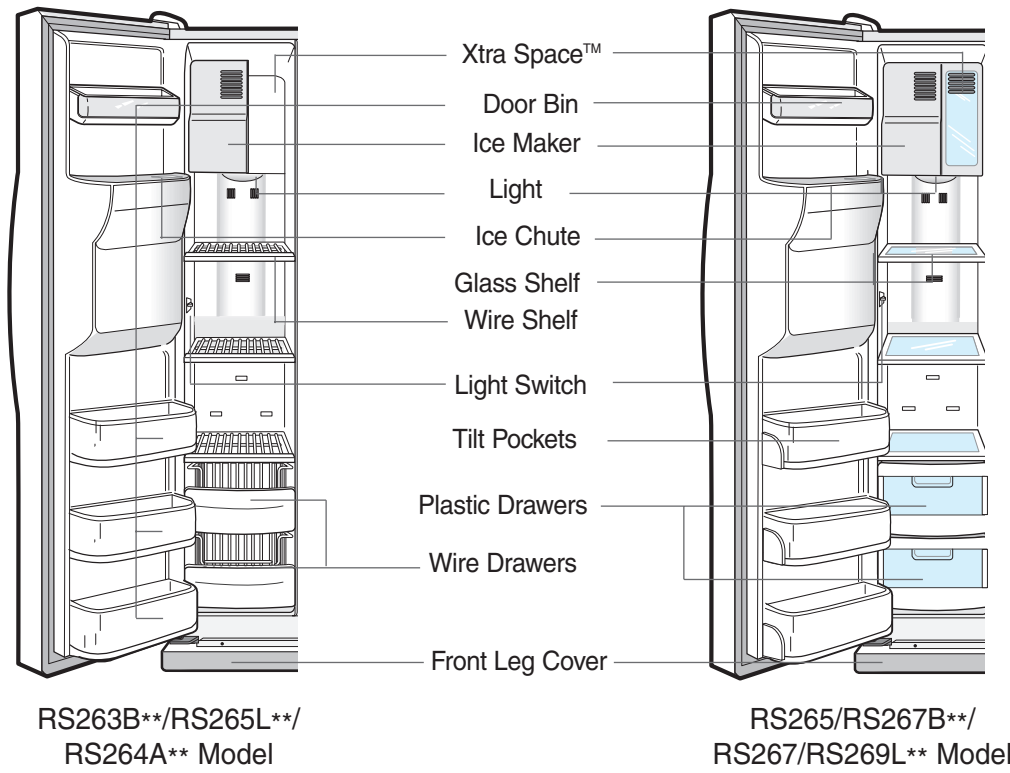


CAUTION

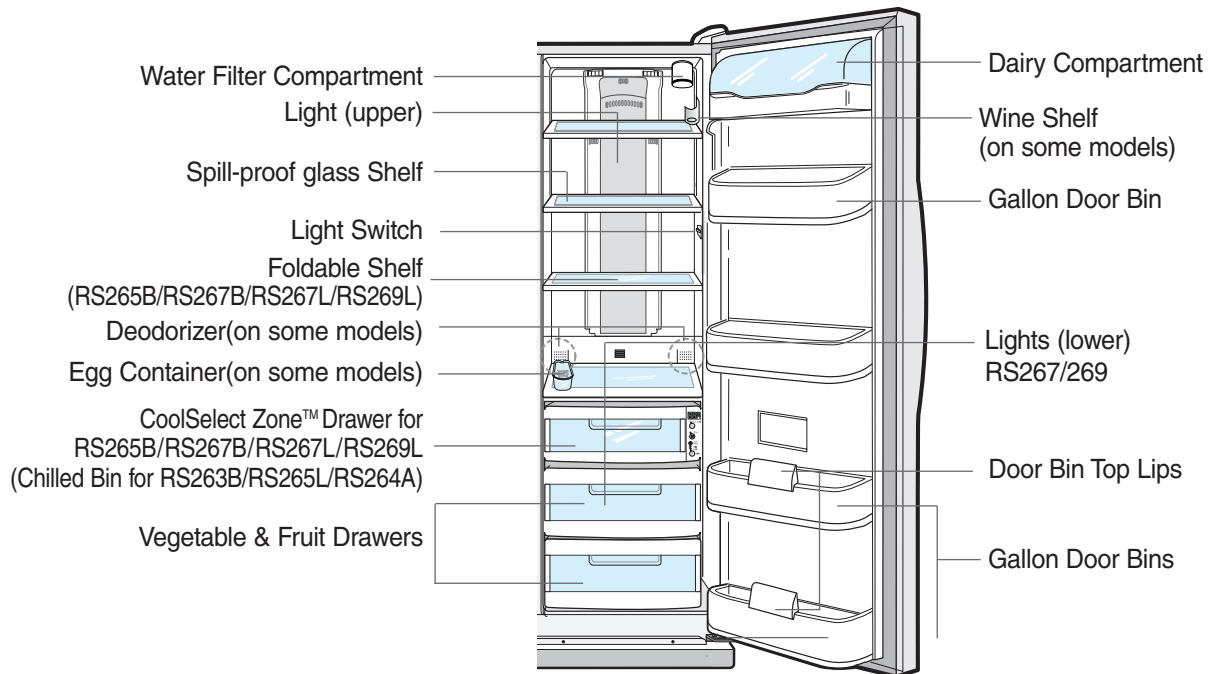
If you have a long period of time (long vacation or business trip) where you won't use the water or ice dispensers, close the water valve and shut off the water supply to the refrigerator. Otherwise, water leakage may occur.

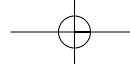
SHELVES AND BINS

Freezer

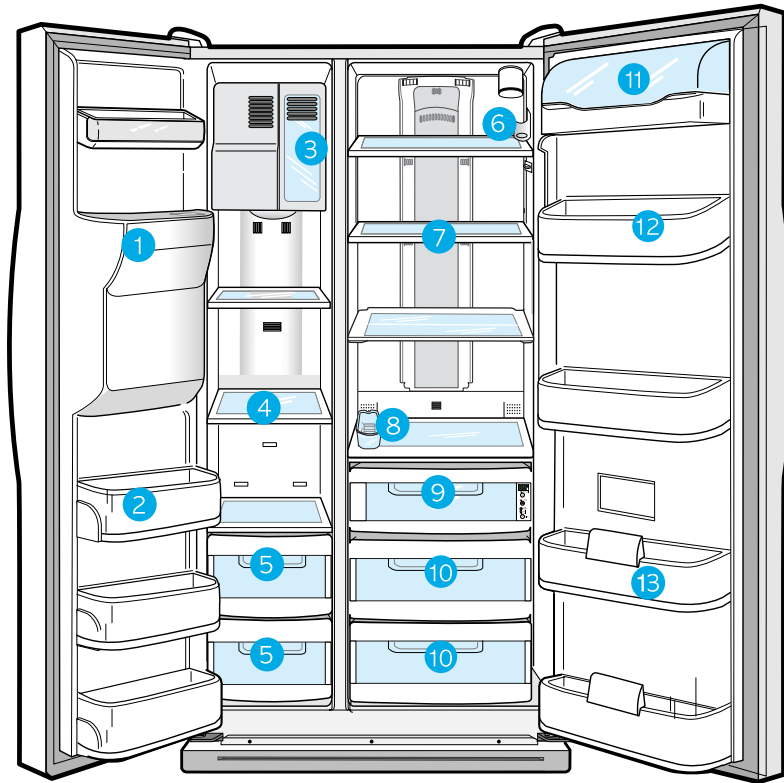


Refrigerator





FOOD STORAGE GUIDE



OPERATING INSTRUCTIONS

FROZEN FOOD STORAGE IN FREEZER

1 Ice chute

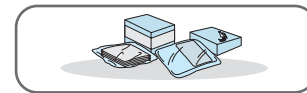


WARNING

Do not put your fingers, hands or any other unsuitable objects in the chute or ice-maker bucket, as this may result in personal injury or material damage.

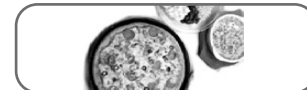
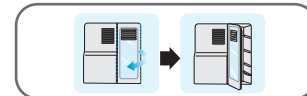
2 Door Bin (Tilt Pocket, RS265 / RS267B**/ RS267/ RS269L**)

- Can be used for small packages of frozen food.



3 Xtra Space™

- Can be used for frozen foods such as pizza, pasta, burritos, and fajitas.
- In order to prevent odor penetration to the ice, stored food should be wrapped securely.



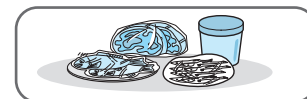
4 Tempered Glass Shelf (Wire Shelf, RS263B**/RS265L**/RS264A**)

- Can be used to store all types of frozen food.



5 Plastic Drawer (Wire Drawer, RS265 / RS267B**/ RS267/ RS269L**/RS264A**)

- Can be used to store meats and dry foods. Stored food should be wrapped securely using foil or other suitable wrapping materials or containers.

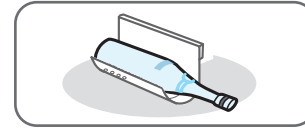


FOOD STORAGE GUIDE

CHILLED FOOD STORAGE IN REFRIGERATOR

6 Wine Shelf (RS265 / RS267B**/ RS267 / RS269L**/RS264A**)

- Place your wine bottles on the shelf to maintain their taste.



7 Tempered Spill Proof Glass Shelf

- Can be used to store all types of chilled food.
- Safe and break resistant.
- Circular marks on the glass surface are a normal phenomenon.



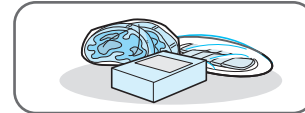
8 Egg Container (on some models)

- Put eggs in the container and place them on the shelf.



9 Chilled Bin or CoolSelect Zone™ Drawer

- Helps to preserve the taste of food and prolongs its freshness. Use to store cheese, meat, poultry, fish or any other foods used quickly.



10 Fruit & Vegetable Drawer (Upper and Lower)

- Is used to store fruits and vegetables.
- This drawer is airtight. Optimized humidity control design helps to preserve the freshness of the stored vegetables and fruits.



11 Dairy Compartment

- Can be used to store butter or margarine.



12 13 Gallon Door Bins

- Can be used to store foods in packages, such as milk and yogurt.



WARNING

- If you have a long vacation planned, empty the refrigerator and turn it off. Wipe excess moisture from the inside and leave the doors open. Otherwise, odor and mold may develop.

CoolSelect Zone™ Drawer GUIDE

RS265/RS267B**/RS267/RS269L**

“Quick Cool” Button

- You can use the Quick Cool feature with the CoolSelect Zone™.
- “Quick Cool” allows 1~3 canned beverages to cool within 60 min.
- To cancel this option, press the “Quick Cool” button again. CoolSelect Zone™ returns to the previous temperature.
- When “Quick Cool” ends, it returns to the “Cool” temperature setting.

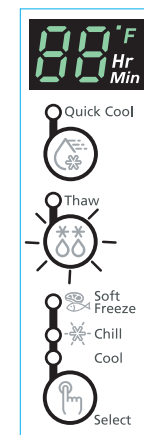


NOTE Depending on the beverages, the cool-down time may vary.

NOTE When the “Quick Cool” option is selected, remove food stored in the CoolSelect Zone™ Drawer that you do not want to cool.

“Thaw” Button

- After “Thaw” is selected, warm and cold air is alternately supplied into the CoolSelect Zone™ Drawer.
- Depending on the weight of the meat, thawing time can be selected for 4 hrs, 6 hrs, 10 hrs, and 12 hrs sequentially, keeping the meat partially frozen.
- When “Thaw” ends, the CoolSelect Zone™ display returns to “chill” condition.
- **When “Thaw” ends, meats are in a half-frozen state so it is easy to cut them for cooking.**
- To cancel this option, press any button except “Thaw”.
- The approximate thawing times of meat and fish are shown below. (Based on 1inch thickness)



Thaw Time	4 hours	6 hours	10 hours	12 hours
Weight	0.8 lb	1.3 lb	1.7 lb	2.2 lb

NOTE Depending on the size and thickness of the meat and fish, the thawing time may vary. The above chart represents the total weight of food in the CoolSelect Zone™ Drawer. Ex) The total thawing time for 1.3 lb frozen beef and 0.8 lb frozen chicken will be 10 hours.

NOTE When the “Thaw” option is selected, be sure to remove food stored in the CoolSelect Zone™ Drawer that you do not want to thaw.

OPERATING INSTRUCTIONS

CoolSelect Zone™ Drawer GUIDE

“Select” Button

1 Soft Freeze

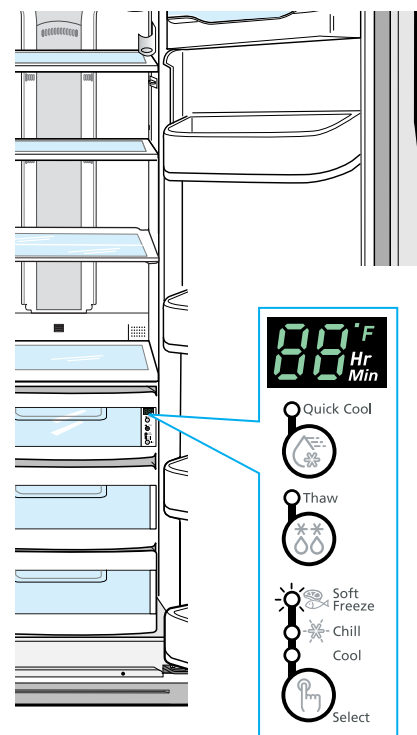
- When “Soft Freeze” is selected, the temperature on the digital panel displays 23°F(-5°C), regardless of the set temperature of the refrigerator.
- “Soft Freeze” temperature helps keep meat and fish fresh for longer.

2 Chill

- When “Chill” is selected, the temperature of the CoolSelect Zone™ Drawer is kept at 30°F(-1°C), regardless of the set refrigerator temperature.
- “Chill” temperature helps keep meat or fish fresh for longer.

3 Cool

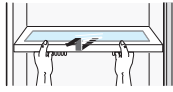
- When “Cool” is selected, the temperature will be the same as the set temperature of the refrigerator. The digital panel shows the same temperature as that of the Control panel.
- When using “Cool”, the CoolSelect Zone™ Drawer allows extra refrigerator space.



REMOVING THE FREEZER ACCESSORIES

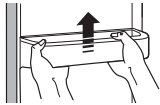
1 Glass Shelf

- Pull the shelf out as far as it goes. Then lift it up and remove it.



2 Door Bin

- Hold the door bin with both hands and then lift it up.



3 Plastic Drawer (Wire Drawer)

- Remove the drawer by pulling it out and slightly lifting it up.

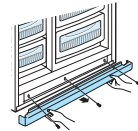


4 Ice Maker Bucket

- Remove the bucket by lifting up and pulling out.

5 Front Leg Cover

- Open the freezer and refrigerator doors, remove three screws and detach the cover.
- To reassemble the front leg cover, put it back to original position and tighten the three screws.



NOTE

- Do not use excessive force when removing the cover. It may cause an injury.

REMOVING THE REFRIGERATOR ACCESSORIES

1 Spill Proof Glass Shelf

- Pull the shelf out as far as it will go. Then lift it up and gently remove it.

2 Vegetable & Fruit Drawer

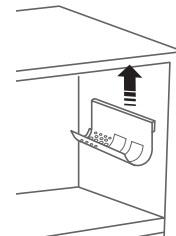
- Remove the drawer by holding the handle, pulling the drawer out and lifting it up smoothly.
- Remove the optimized humidity control cover by pulling it towards you.

3 Gallon Door Bin

- Hold the bin with both hands and remove it by lifting it up.

4 Wine Shelf (RS265 / RS267B**/ RS267/ RS269L**/RS264A**)

- It is attached to the cabinet wall. To remove the wine shelf, lift it up in the direction of the arrow as shown.
- Simply take the shelf out of the tabs.



NOTE

- Before removing the freezer and refrigerator accessories, please move the stored foods.

CLEANING THE ACCESSORIES

Interior

- Clean the accessories with a mild detergent, then wipe out with a dry cloth.
- After washing the accessories, make sure that they are dry before using them again.



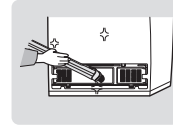
Exterior

- Wipe the digital panel and display panel with a clean cloth.
- Clean the surface of doors, handles and cabinet with a mild detergent and soft cloth, then wipe off the surface with a dry cloth.
 - Do not use Benzene, Thinner or Clorox™ for cleaning
 - Do not spray water directly on the surface of the refrigerator while cleaning.
- The exterior part of the refrigerator should be polished once or twice a year.



Rear

- Use a vacuum cleaner to remove dust once or twice a year.



- Do not remove cover, risk of shock.

WARNING

Ice and water dispenser

- Use a damp cloth to clean the ice and water dispenser. Then wipe it out with a dry cloth.
- To keep drainage grid dry, do not touch ice and water dispenser.



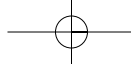
Rubber door seals

- If the rubber door seals are dirty, the door will not close properly, The refrigerator will not be able to function efficiently. Clean the doors with a mild detergent and damp cloth. Then wipe with a dry cloth.



WARNING

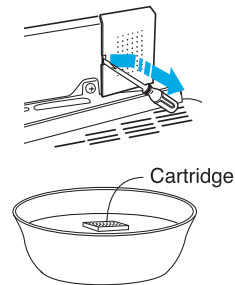
- Do not spray the refrigerator with water. It may cause a serious electric shock.
- Do not clean it with benzene, thinner or car detergent. It may cause a fire.



CLEANING THE ACCESSORIES

Twin Deodorizer

- Remove the cover with a flat blade screw driver as shown.
- Take out the cartridge from the cover and soak it in clean and warm water for at least 4 hrs. Completely dry out the cartridge in sunlight for at least 8 hrs in an open area.
- Repeat this process once or twice a year.



NOTE

- If cartridge is dried in a confined area, there may be some odor.
- Keep children away from contaminated water.

CHANGING THE INTERIOR LIGHT



WARNING

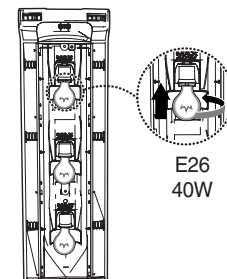
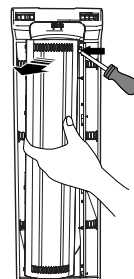
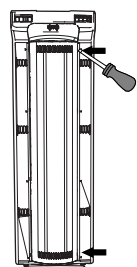
Before changing the interior light, unplug the refrigerator from the power supply. If you have difficulty changing the light, contact your service center.



INTERIOR LIGHT IN THE REFRIGERATOR .

Upper

- 1 Place a flat screwdriver under the light cover hooks and push in the direction of the arrow.
- 2 Pull the cover in the direction of the arrow.
- 3 After changing the bulb, replace the light cover.

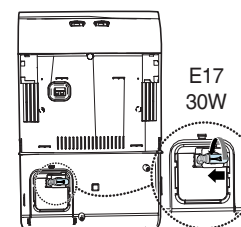
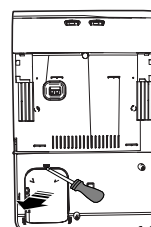
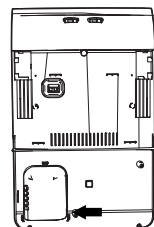


NOTE

Replacement bulbs for both freezer and fridge are available from your local home improvement or electronics store. Use replacement bulb size E26, maximum 40 watts.

Lower (RS265 / RS267B** / RS267 / RS269L**)

- 1 Place a flat screwdriver under the light cover hooks and push in the direction of the arrow.
- 2 Change the bulb with a new one (②)
- 3 After changing the bulb, replace the light cover.



NOTE

Replacement bulbs for both freezer and fridge are available from your local home improvement or electronics store. Use replacement bulb size E17, maximum 30 watts.

CHANGING THE INTERIOR LIGHT



INTERIOR LIGHT IN THE FREEZER.

The freezer light is located in the bottom of the auger motor case.

1

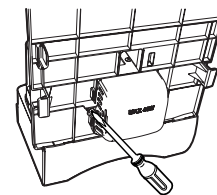
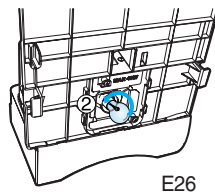
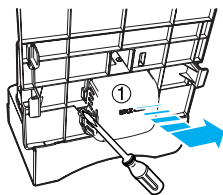
Use a screwdriver(+) to remove the screw (①).

2

Change the bulb with a new one (②)

3

Reattach the light cover



NOTE

Replacement bulbs for both freezer and fridge are available from your local home improvement or electronics store. Use replacement bulb size E26, maximum 40 watts.

WATER FILTER

The water “Filter Indicator” light

- “Filter Indicator” light lets you know when it is time to change your water filter cartridge. The light will change from green to orange. This tells you that it is almost time to change the current cartridge. It is recommended that you replace the cartridge when the light changes to red. (see “Install the water filter” section for more information)

- If you install water filter, throw away the first six glassfulls of water filter, or until water flows clearly to flush impurities in the water supply system.

Using the dispenser without the water filter

- You can not use the water and ice dispenser without a water filter cartridge because the water line blocks at the water supply.

Ordering replacement filters

- To order more water filter cartridges, call 1-800-SAMSUNG and ask for accessory Part # DA29-00003B or contact your authorized Samsung dealer.

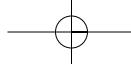
DOORS

The refrigerator doors have a special door opening and closing feature to make sure that they close all the way and are securely sealed.

When opening the door, it will only open so far. After reaching a certain point, it will remain open.

When the door is partially open, it will close automatically.

The refrigerator should be properly installed & leveled.



INSTALLATION OF THE REFRIGERATOR



Checking the Dimensions of your Entrance Door

Check the dimensions of your entrance door to determine whether the refrigerator can pass through it.

Model		RS263/RS264/RS265/RS267/RS269	
Capacity (Cu. Ft)		26.1	
Dimension (inches)	Width		
	Case Height	without Hinge	35.9
		with Hinge	68.8
	Depth	with door	70
without door		34	
		30.5	



Selecting the Location for the Refrigerator

- Select a location with easy access to the water supply.
- Select a location with enough space for the refrigerator.
- Select a location without direct exposure to sunlight.
- Select a location with level floor or close to it.



NOTE

- Before disassembling the freezer door, the water supply line needs to be disconnected. (If not, the water supply line can be damaged.)
- See "Separating the water supply line from the refrigerator" on the next page.

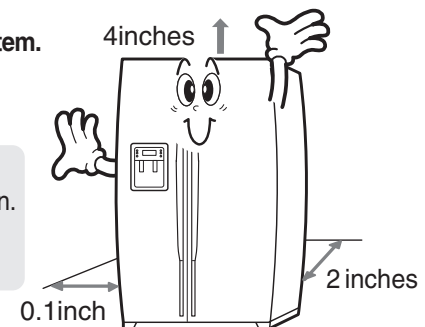
Allow sufficient space to circulate the air in the internal cooling system.

- When the refrigerator does not have enough space, the internal cooling system may not work correctly.



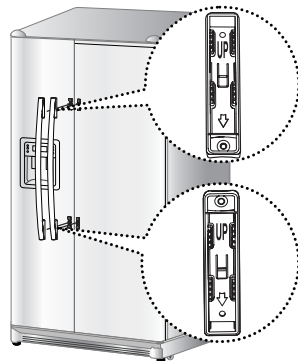
NOTE

- Allow clearance to the right, left, back and top when installing the refrigerator. This has the advantage of reducing power consumption.
- Do not install the refrigerator where the temperature will go below 50°F(10°C).



How to assemble the separable door handle (optional)

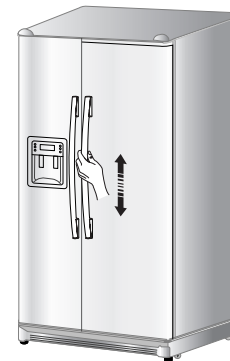
- 1** - Make sure the "UP" mark on the rear of the handle is facing right side up.
- Match the upper and lower Handle Locking Tabs on the doors to the handles.



- 2** Fix the handles to the doors by sliding them down firmly.



- 3** - Check the installation of the handles by pulling on them.
- If the handles have been inserted correctly, they should not move.

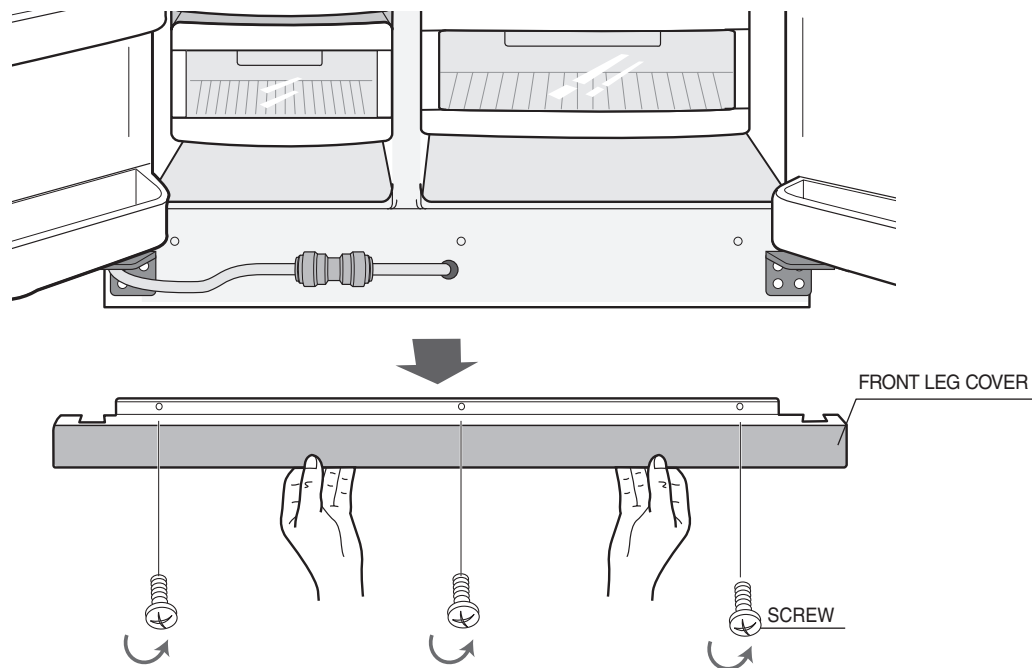


REMOVING THE REFRIGERATOR DOORS



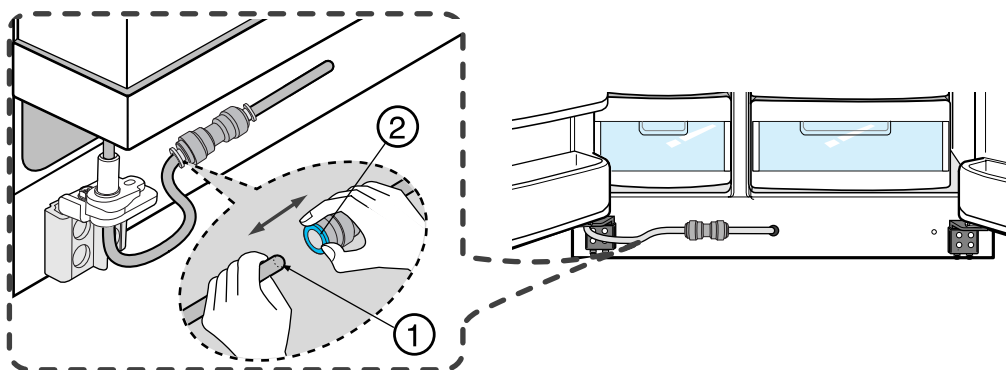
Removing the Front Leg Cover

Open the freezer and refrigerator doors, and then take off the front leg cover by turning the three screws counter-clockwise.

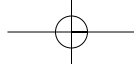


Separating the Water Supply Line from the Refrigerator

Remove the water tube by pressing the coupler (2) and pulling the water tube (1) away.



NOTE Do not cut the water tube. Separate it from the coupler.



REMOVING THE REFRIGERATOR DOORS

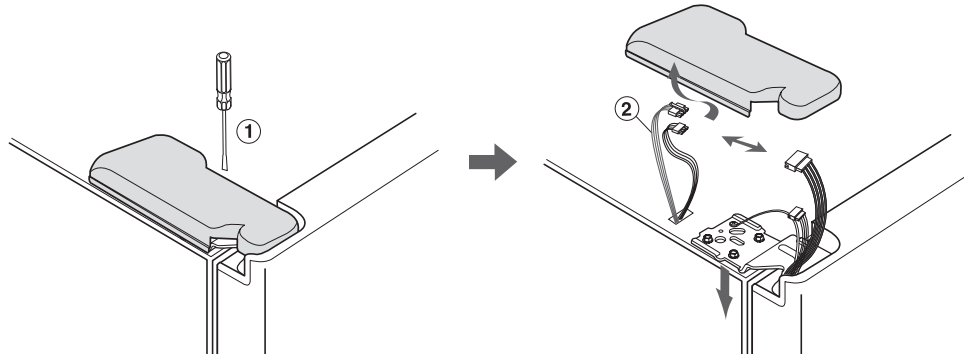


- Lift the door straight up.
- Be careful not to pinch the water tubing and wire harness on the door.
- Place doors on a protected surface.

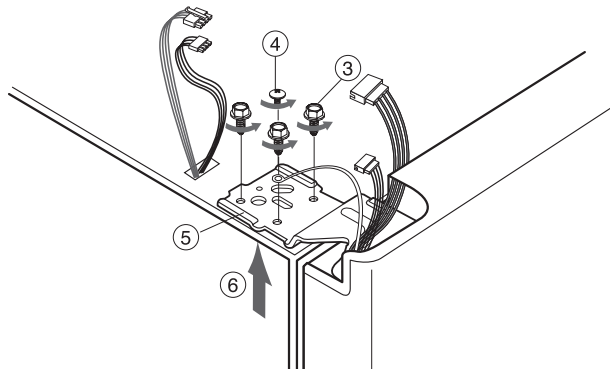


Removing the Freezer Door

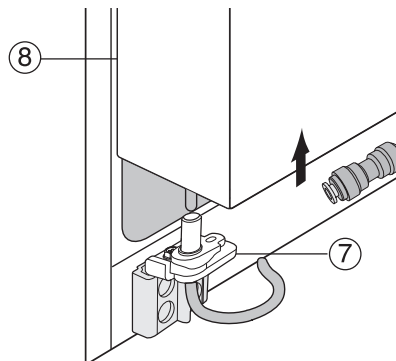
- 1) With the door closed, remove the upper hinge cover (①) using a screwdriver, and then disconnect the wires (②).



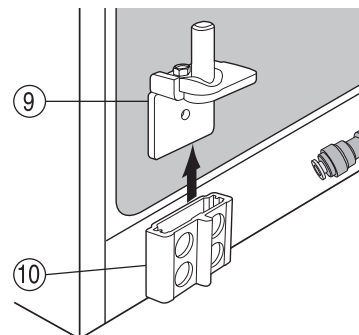
- 2) Remove hinge screws (③) and ground screw (④) counter-clockwise, and take off the upper hinge (⑤) in the direction of the arrow (⑥). Be careful when removing the door to ensure that it does not fall on you.



- 3) Remove the door from the lower hinge (⑦) by carefully lifting the door (⑧).



- 4) Remove the lower hinge (⑨) from the bracket lower hinge (⑩) by lifting the lower hinge (⑨) in the direction of the arrow.



INSTALLATION INSTRUCTIONS

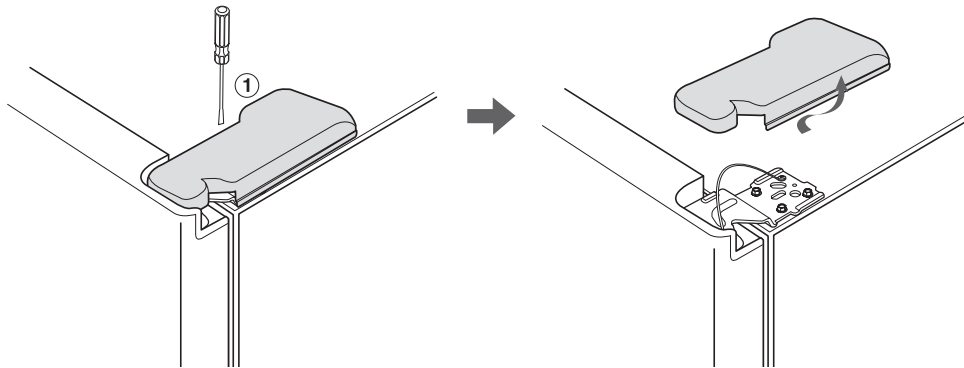


REMOVING THE REFRIGERATOR DOORS

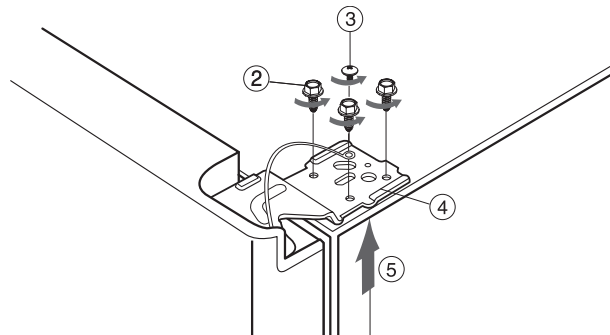


Removing the Refrigerator Door

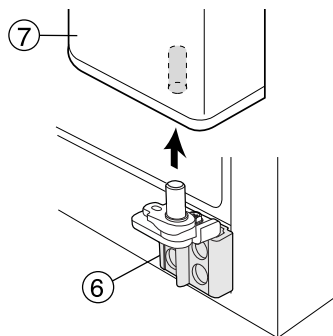
- 1) With the door closed, remove the upper hinge cover (①) using a screwdriver



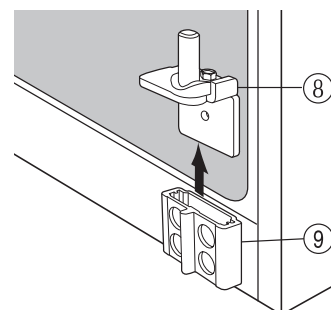
- 2) Remove hinge screws (②) and ground screw (③) counter-clockwise, and take off the upper hinge (④) in the direction of the arrow (⑤). Be careful when removing the door to ensure that it does not fall on you.



- 3) Remove the door from the lower hinge (⑥) by lifting the door (⑦).



- 4) Remove the lower hinge (⑧) from the bracket (⑨) by lifting the lower hinge (⑧)

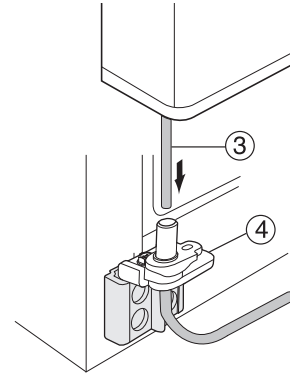
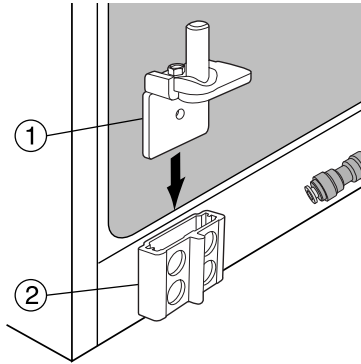


REATTACHING THE REFRIGERATOR DOORS

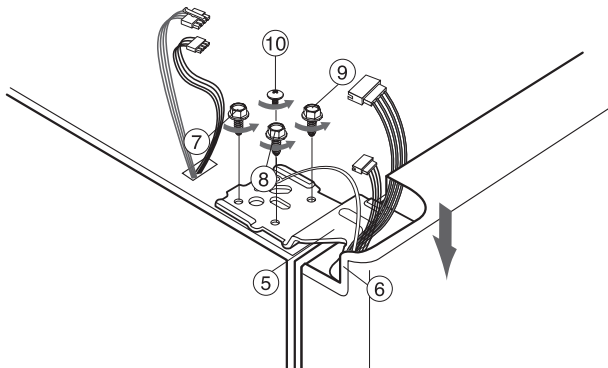


Reattaching the Freezer Door

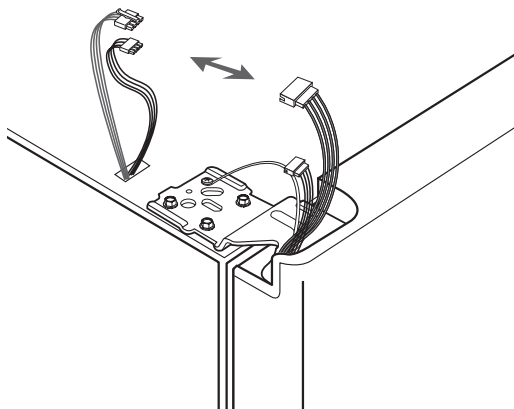
- 1) Insert the lower hinge (①) in the bracket lower hinge (②).
- 2) Reattach the freezer door by inserting the hose (③) in the lower side of the door into the hole in the lower hinge (④) and pulling the hose down.



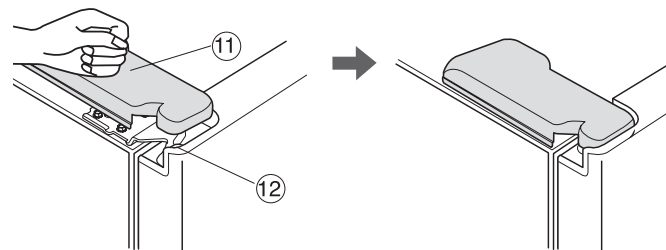
- 3) Insert the upper hinge shaft (⑤) into the hole (⑥). After levelling between the upper hinge hole (⑦) and the hole of the cabinet (⑧). Reattach hinge screws (⑨) and ground screw (⑩) in a clockwise direction.



- 4) Connect the wires.



- 5) Put the front part of the upper hinge cover (⑪) on the front part of the upper hinge (⑫) and reattach from the front part of the upper hinge cover first.



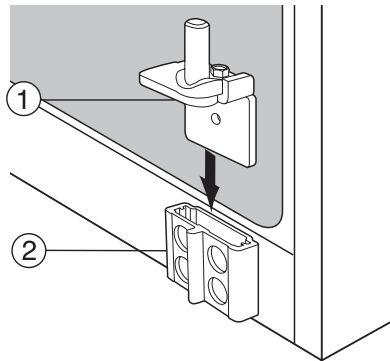
INSTALLATION INSTRUCTIONS

REATTACHING THE REFRIGERATOR DOORS

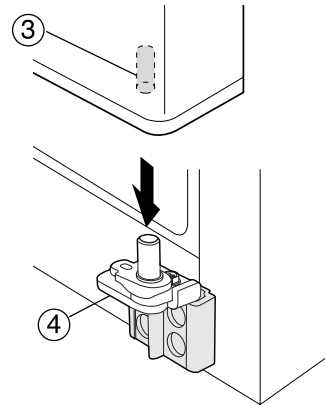


Reattaching the Refrigerator Door

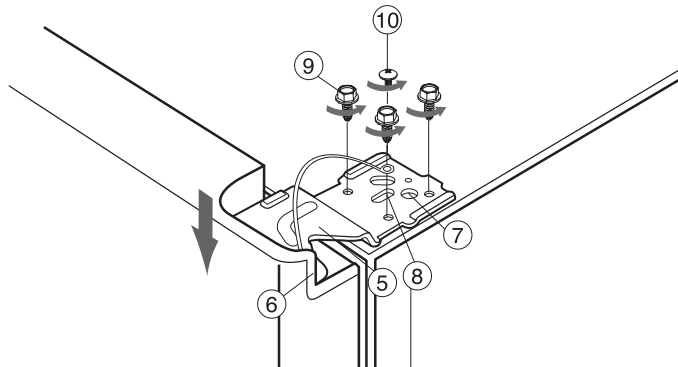
1) Insert the lower hinge (①) in the bracket lower hinge (②).



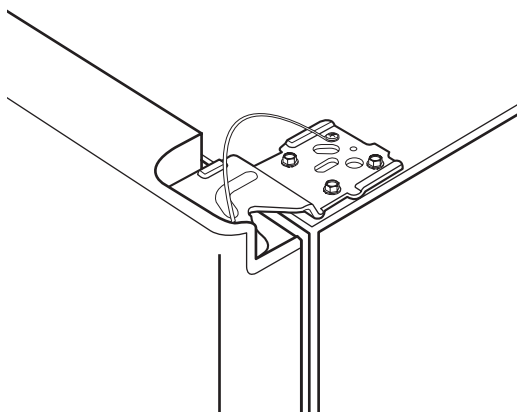
2) Place the hole in the refrigerator door (③) over the lower hinge (④).



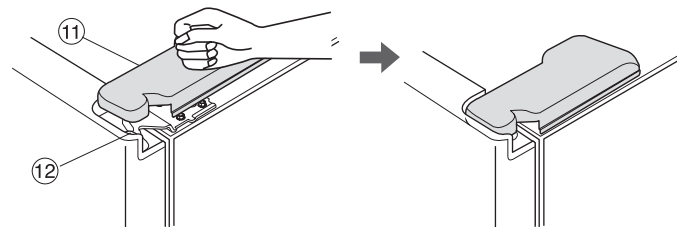
3) Insert the upper hinge shaft (⑤) into the hole (⑥). After levelling between the upper hinge hole (⑦) and the hole of the cabinet (⑧). Reattach hinge screws (⑨) and ground screw (⑩) in the clockwise direction.



4) Connect the wires.



5) Put the front part of the upper hinge cover (⑪) on the front part of the upper hinge (⑫) and reattach it from the front part of the upper hinge cover first.

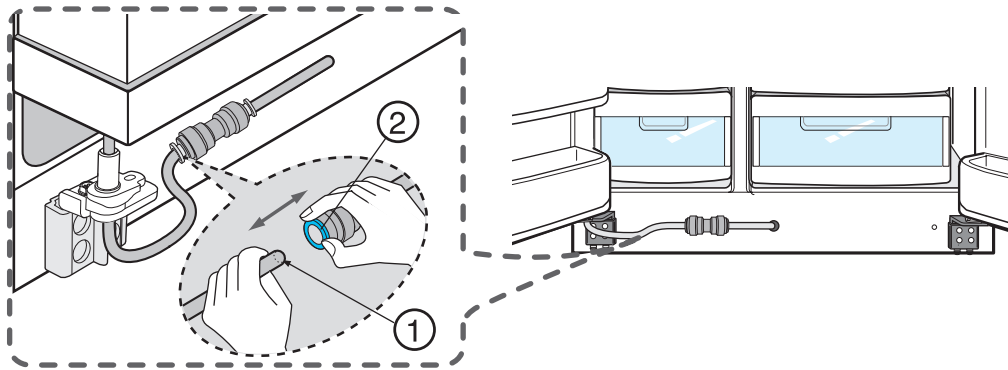


REATTACHING THE REFRIGERATOR DOORS

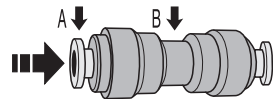


Reattaching the Water Supply Line

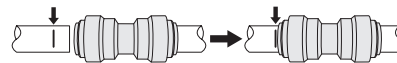
1) While pressing the front face of coupler (②), insert the water line (①) in the coupler.



Push the "A" collar to the "B" body and hold.



Then pull tube from the connector.



NOTE

Tube must be fully inserted to the marked line to avoid leaks.



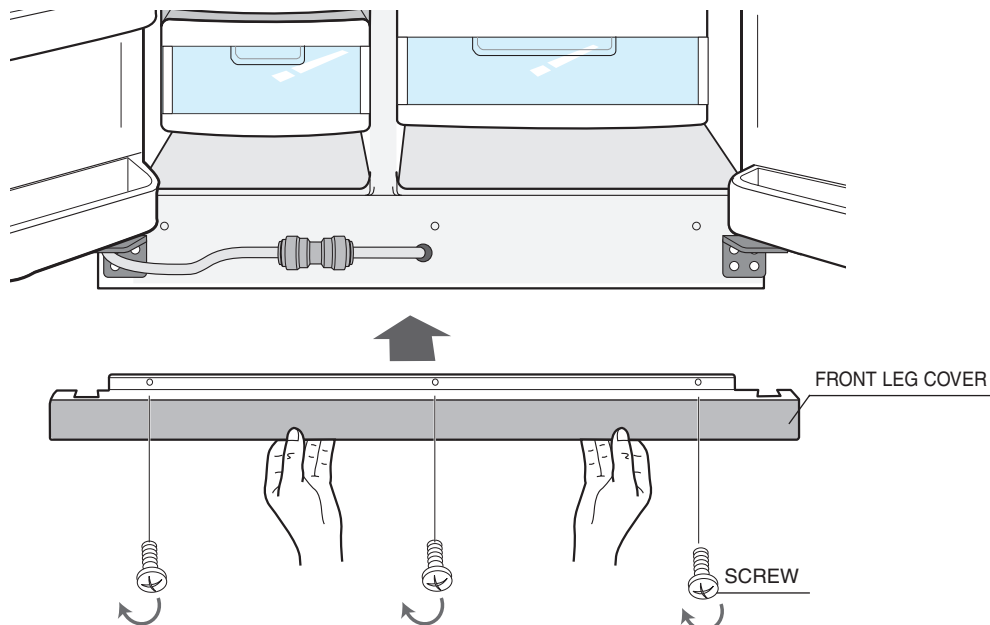
Reattaching the Front Leg Cover

Put on the front leg cover by turning the three screws clockwise, as shown in the figure.



NOTE

Before attaching check water connector, be sure to check for leakage.



INSTALLATION INSTRUCTIONS

LEVELING THE REFRIGERATOR



Make sure the refrigerator is level before adjusting its doors.

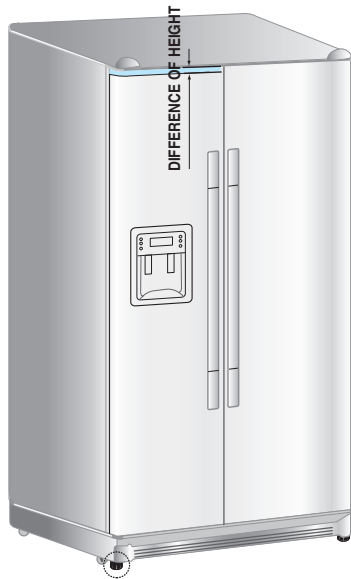
The doors will be uneven if the refrigerator is not level.



The front of refrigerator is adjustable.

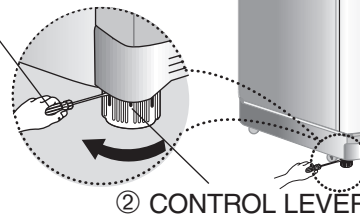
NOTE

Case 1) Freezer door is lower than that of the refrigerator



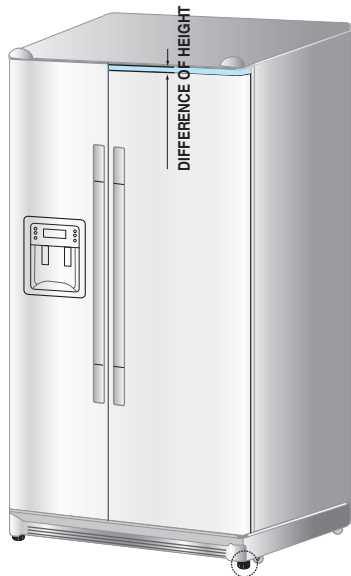
Insert a flat-blade screwdriver (-) (①) into a slot of the control lever (②), turn it clockwise and level the refrigerator.

① SCREWDRIVER(-)



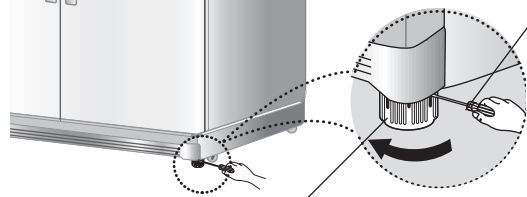
② CONTROL LEVER

Case 2) Freezer door is higher than that of the refrigerator



Insert a flat-blade screwdriver (-) (①) into a slot of the control lever (②), turn it clockwise and level the refrigerator.

① SCREWDRIVER(-)



② CONTROL LEVER



NOTE

Do not make small adjustments with the control lever, Please refer to the next page.

ADJUSTING THE CLEARANCE BETWEEN THE DOORS



Adjust Leveling first.



Making small adjustments between doors.

If the door of the freezer is lower than that of the refrigerator.



If the door of freezer is higher than that of the refrigerator.



Please open the doors and adjust them as follows:

- 1) Release the nut (①) on the lower hinge until it reaches the upper end of the bolt (②).



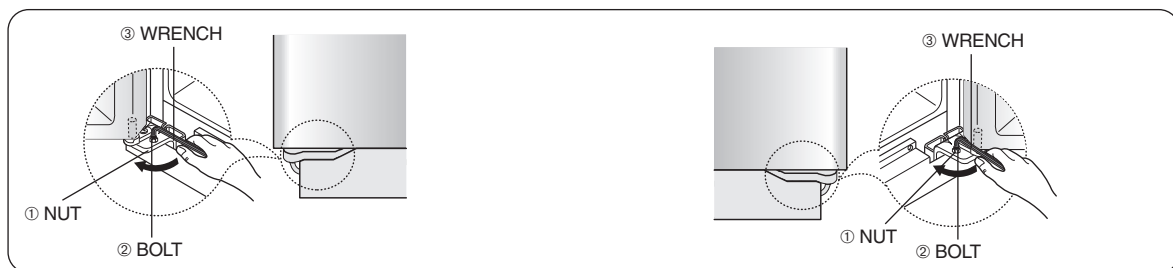
When you release the nut (①), use enclosed hex wrench (③) to turn the bolt (②) in a slightly counterclockwise direction. This will enable you to loosen the nut (①) with your fingers.



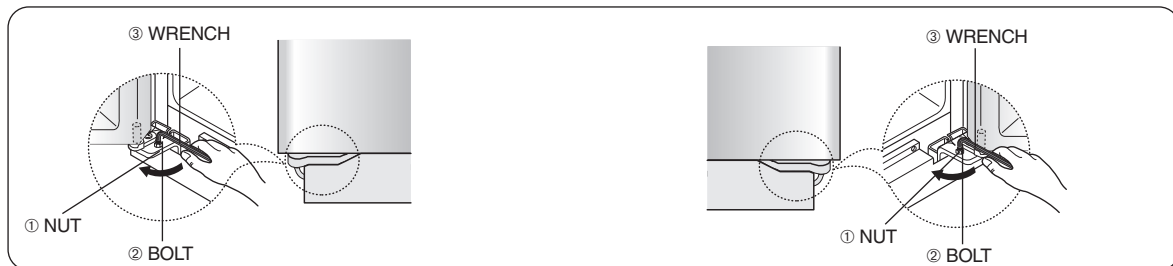
- 2) Please adjust the height difference between the doors by turning the bolt (②) clockwise (↻) or counter clockwise (↺).



When you turn clockwise (↻), the door goes up.



- 3) After adjusting the doors, turn the nut clockwise (↻) until it reaches the lower end of the bolt, then tighten the bolt again with the wrench (③) to fix the nut (①).



If you do not fix the nut (①) firmly, the bolt (②) may be released.

CHECKING THE WATER DISPENSER LINE

- 1) In order to operate the ice maker properly, water pressure of 20 ~125 psi is required.
In this range a 170 cc (5.74 ounces) paper cup can be filled in 10 secs.
- 2) The water filter removes particles. It does not sterilize or destroy any micro-organisms.
- 3) If the refrigerator is installed in an area with low water pressure (below 20psi), you should install a booster pump to compensate.
- 4) Ensure the water storage tank inside the refrigerator is properly filled initially. Push the water dispenser lever until the water runs from the outlet.



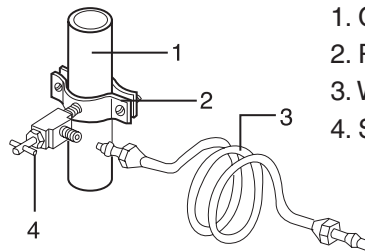
NOTE

Water line installation kit is available at extra cost from your dealer. The refrigerator manufacturer recommends using a water supply kit containing copper tubing.

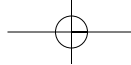


Connecting to water supply line

- Shut off the main water supply line and turn the Ice maker to the off position.
- Locate the nearest cold drinking water line.
- Follow the instructions in the ice maker installation kit.
- After connecting the water supply with water filter, turn on water supply and flush 4 or more gallons into a bucket to clear the water filter



1. Cold Water line
2. Pipe Clamp.
3. Water Line Installation Kit
4. Shut Off Valve



INSTALLATION OF THE WATER DISPENSER LINE



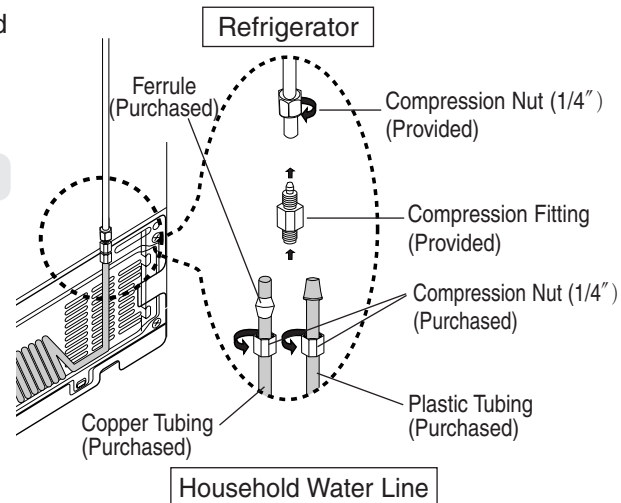
Connect the water line to the refrigerator.

- 1) Slip the compression nut through the provided plastic tubing.
- 2) Tighten the compression nut onto the 1/4" compression fitting.



NOTE Do not overtighten the compression nut.

- Using Copper Tubing
 - Slip the compression nut and ferrule on copper tubing as shown.
 - Using Plastic Tubing
 - Insert the molded end of the plastic tubing into the compression fitting.
- 3) Tighten the compression nut onto the compression fitting.
 - 4) Turn water on and check for any leakage.



NOTE Water line must be connected to drinkable water only.
Cut off 1/4 inch of the provided plastic tubing squarely to prevent leaks when reconnecting.



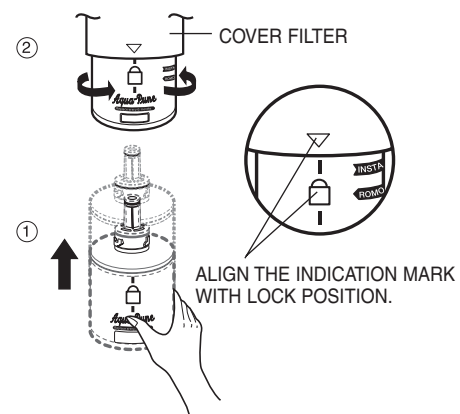
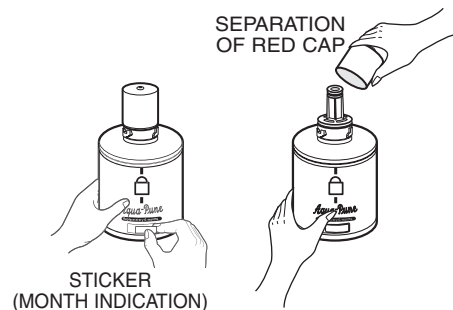
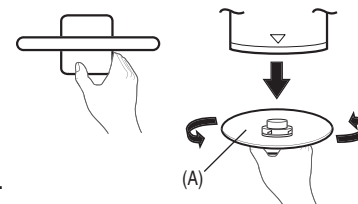
Install the water filter.

- 1) Remove the fixed cap (A) as shown. the fixed cap separates from the Water Filter Compartment by rotating it counterclockwise. Remove the water filter from the box and put a month indicator stick on the filter as shown.



NOTE Keep the cap(A) in a safe place for recapping, when you don't need to use the filter.

- 2) If the water filter was installed in March, put on the "SEP" sticker.
- 3) Remove the Red protective cap from the filter, then position and insert the filter as shown.
- 4) Slowly turn the water filter clockwise 90° to align the indication mark on the cover, locking the filter in position. Do not overtighten.



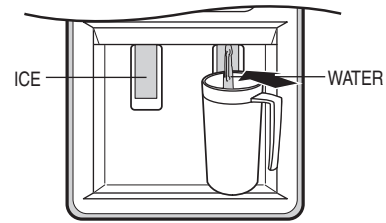
NOTE Please check that the indication line aligns with the lock position.

INSTALLATION OF THE WATER DISPENSER LINE



Remove any residual matter inside the water supply line after installing filter.

- 1) Turn on the main water supply & shut-off the valve of the water supply line.
- 2) Run water through the dispenser until the water runs clear (6~7 minutes). This will clean the water supply system and clear air from the lines.
- 3) Additional flushing may be required in some households.
- 4) Open the refrigerator door and check if water leaks around the water filter.



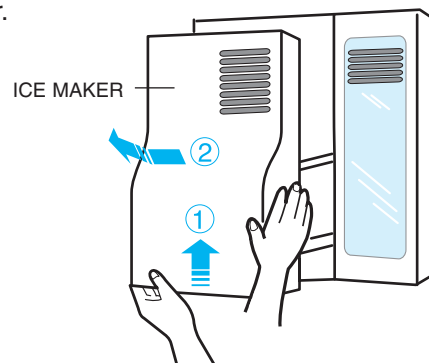
NOTE

- A newly-installed water filter cartridge may cause water to briefly spurt from the dispenser.
- Before reinstalling the water filter, remove the wine shelf (RS264A/RS265B/RS267B/RS267L/RS269L).



Check the amount of water supplied to the ice tray.

- 1) Lift up ① and pull out ② the ice maker bucket in the freezer.

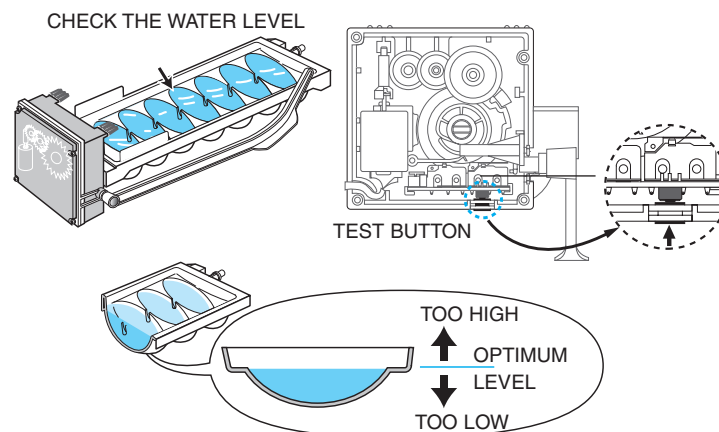


- 2) When you press the test button, the ice cube container is filled with water from the water supply tap. Check the amount of water (see the illustration below).

If the water level is too low, the ice cubes will be small.

This is not a problem with the ice maker but of the water pressure in the pipe, and occurs frequently.

When this problem occurs, contact a service person to check the amount of water supplied.



TROUBLESHOOTING

The refrigerator does not work at all or it does not chill sufficiently

- Check that the power plug is properly connected.
- Is the temperature control on the display panel set to the correct temperature? Try setting it to a lower temperature.
- Is the refrigerator in direct sunlight or located near a heat source?
- Is the back of the refrigerator too close to the wall?

The food in the refrigerator is frozen

- Is the temperature control on the display panel set to the correct temperature? Try setting it to a warmer temperature.
- Is the temperature in the room too low?
- Did you store food with a high water content in the coldest part of the refrigerator?

You hear unusual noise or sounds

- Check that the floor is leveled and stable.
- Is the back of the refrigerator too close to the wall?
- Was anything dropped behind or under the refrigerator?
- A “ticking” sound may be heard from inside the refrigerator, this is normal. This occurs because various accessories are contracted or expanded.

The front corners and sides of the cabinet are hot; condensation occurs.

- Anti-condensators are installed in the front corners of the refrigerator to prevent condensation.
- Condensation can occur when you leave the door open for a long time.

Ice is not dispensed

- Did you stop the ice making function?
- Is there any ice in the ice storage unit?
- Is the water line connected and the shut-off valve open?
- Is the freezer temperature too warm? (Set the temperature lower)
- Did you wait for 12 hours after installation of the water supply line before making ice?

You can hear water bubbling in the refrigerator

- The bubbling comes from the refrigerant circulating in the refrigerator and is normal.

There is a bad smell in the refrigerator

- Wrap strong smelling food so that it is airtight. Throw away any rotten food.

Frost forms on the walls of the freezer

- Is the air vent blocked?
- Allow sufficient space between the foods stored for efficient air circulation.
- Is the door closed properly?

No water is supplied

- Is the water line connected and the shut-off valve open?
- Is the water supply line crushed?
- Is the water tank frozen because the refrigerator temperature is too low? Select a warmer setting on the display panel.

SAMSUNG REFRIGERATOR (18 Cubic Feet and Larger Capacity)

LIMITED WARRANTY TO ORIGINAL PURCHASER

This SAMSUNG brand product, as supplied and distributed by Samsung Electronics America, Inc. (SAMSUNG) and delivered new, in the original carton to the original consumer purchaser, is warranted by SAMSUNG against manufacturing defects in materials and workmanship for a limited warranty period of:

One (1) Year Parts and Labor on Refrigerator
Five (5) Years Parts and Labor on Sealed Refrigeration System Only*
 (*Compressor, evaporator, condenser, drier, connecting tubing)

This limited warranty begins on the original date of purchase, and is valid only on products purchased and used in the United States. To receive warranty service, the purchaser must contact SAMSUNG for problem determination and service procedures. Warranty service can only be performed by a SAMSUNG authorized service center. The original dated bill of sale must be presented upon request as proof of purchase to SAMSUNG or SAMSUNG's authorized service center.

SAMSUNG will repair or replace any part found to be defective, at our option and at no charge as stipulated herein, with new or reconditioned parts during the limited warranty period specified above. All replaced parts and products become the property of SAMSUNG and must be returned to SAMSUNG. Replacement parts and products assume the remaining original warranty, or ninety (90) days, whichever is longer.

In-home service will be provided during the warranty labor period subject to availability within the contiguous United States. In-home service is not available in all areas. To receive in-home service, the product must be unobstructed and accessible from floor level to service personnel. If during in-home service repair cannot be completed, it may be necessary to remove, repair and return the product. If in-home service is unavailable, SAMSUNG may elect, at our option, to provide for transportation of our choice to and from a SAMSUNG authorized service center. Otherwise, transportation to and from the SAMSUNG authorized service center is the responsibility of the purchaser.

This limited warranty covers manufacturing defects in materials and workmanship encountered in normal, noncommercial use of this product, and shall not apply to the following, including, but not limited to: damage which occurs in shipment; delivery and installation; applications and uses for which this product was not intended; altered product or serial numbers; cosmetic damage or exterior finish; accidents, abuse, neglect, fire, water, lightning or other acts of nature; use of products, equipment, systems, utilities, services, parts, supplies, accessories, applications, installations, repairs, external plumbing and leaks, external wiring, circuit breakers, fuses or connectors not supplied and authorized by SAMSUNG, or which damage this product or result in service problems; incorrect electrical line voltage, fluctuations and surges; customer adjustments and failure to follow operating instructions, cleaning, maintenance and environmental instructions that are covered and prescribed in the instruction book; loss of food due to spoilage; consumable items including filters and light bulbs.

THERE ARE NO EXPRESS WARRANTIES OTHER THAN THOSE LISTED AND DESCRIBED ABOVE, AND NO WARRANTIES WHETHER EXPRESS OR IMPLIED, INCLUDING, BUT NOT LIMITED TO, ANY IMPLIED WARRANTIES OF MERCHANTABILITY OR FITNESS FOR A PARTICULAR PURPOSE, SHALL APPLY AFTER THE EXPRESS WARRANTY PERIODS STATED ABOVE, AND NO OTHER EXPRESS WARRANTY OR GUARANTY GIVEN BY ANY PERSON, FIRM OR CORPORATION WITH RESPECT TO THIS PRODUCT SHALL BE BINDING ON SAMSUNG. SAMSUNG SHALL NOT BE LIABLE FOR LOSS OF REVENUE OR PROFITS, FAILURE TO REALIZE SAVINGS OR OTHER BENEFITS, OR ANY OTHER SPECIAL, INCIDENTAL OR CONSEQUENTIAL DAMAGES CAUSED BY THE USE, MISUSE OR INABILITY TO USE THIS PRODUCT, REGARDLESS OF THE LEGAL THEORY ON WHICH THE CLAIM IS BASED, AND EVEN IF SAMSUNG HAS BEEN ADVISED OF THE POSSIBILITY OF SUCH DAMAGES. NOR SHALL RECOVERY OF ANY KIND AGAINST SAMSUNG BE GREATER IN AMOUNT THAN THE PURCHASE PRICE OF THE PRODUCT SOLD BY SAMSUNG AND CAUSING THE ALLEGED DAMAGE. WITHOUT LIMITING THE FOREGOING, PURCHASER ASSUMES ALL RISK AND LIABILITY FOR LOSS, DAMAGE OR INJURY TO PURCHASER AND PURCHASER'S PROPERTY AND TO OTHERS AND THEIR PROPERTY ARISING OUT OF THE USE, MISUSE OR INABILITY TO USE THIS PRODUCT SOLD BY SAMSUNG NOT CAUSED DIRECTLY BY THE NEGLIGENCE OF SAMSUNG. THIS LIMITED WARRANTY SHALL NOT EXTEND TO ANYONE OTHER THAN THE ORIGINAL PURCHASER OF THIS PRODUCT, IS NONTRANSFERABLE AND STATES YOUR EXCLUSIVE REMEDY.

Some states do not allow limitations on how long an implied warranty lasts, or the exclusion or limitation of incidental or consequential damages, so the above limitations or exclusions may not apply to you. This warranty gives you specific legal rights, and you may also have other rights, which vary from state to state.

To obtain warranty service, please contact SAMSUNG at:

SAMSUNG CUSTOMER CARE CENTER
 Samsung Electronics America, Inc.
 105 Challenger Road Ridgefield Park NJ 07660-0511
1-800-SAMSUNG (1-800-726-7864) and www.SAMSUNG.com

061002

MEMO

The Samsung logo is centered in the lower half of the page. It consists of the word "SAMSUNG" in a bold, white, sans-serif font, set against a light gray, horizontally-oriented oval background.

SAMSUNG

If you have any questions or comments relating to Samsung products,
please contact the SAMSUNG customer care centre.
Samsung Electronics America, Inc.
105 Challenger Road Ridgefield Park, NJ 07660-0511
1-800-SAMSUNG (1-800-726-7864)
www.samsung.com





REFRIGERADOR DE DOS PUERTAS

Escriba aquí el modelo y número de serie:

Nº de modelo _____

Nº de serie _____

RS263B**

RS265L**

RS265B**

RS267L**

RS267B**

RS269L**

RS264A**

Puede encontrar estos números en una etiqueta en el lateral izquierdo de la caja del frigorífico.

MANUAL DE INSTALACIÓN Y USO

CONTENIDO

SEÑALES DE ADVERTENCIA DE SEGURIDAD	2
INSTRUCCIONES DE FUNCIONAMIENTO	4
CONFIGURACIÓN DEL REFRIGERADOR.....	4
CARACTERÍSTICAS PRINCIPALES.....	4
PANEL DE CONTROL.....	5
PANEL DIGITAL.....	6
CONTROL DE TEMPERATURA.....	7
DISPENSADOR DE AGUA FRÍA Y DE HIELO.....	7
ESTANTES Y COMPARTIMENTOS.....	8
GUÍA PARA EL ALMACENAMIENTO DE LOS ALIMENTOS.....	9
GUÍA DEL CAJÓN COOLSELECT ZONE™.....	11
DESMONTAJE DE LOS ACCESORIOS DEL CONGELADOR.....	13
DESMONTAJE DE LOS ACCESORIOS DEL REFRIGERADOR.....	13
LIMPIEZA DE LOS ACCESORIOS.....	14
SUSTITUCIÓN DE LA LUZ INTERIOR.....	15
FILTRO DE AGUA.....	16
PUERTAS.....	16
INSTRUCCIONES DE INSTALACIÓN	17
INSTALACIÓN DEL REFRIGERADOR.....	17
DESMONTAJE DE LAS PUERTAS DEL REFRIGERADOR.....	18
MONTAJE DE LAS PUERTAS DEL REFRIGERADOR.....	21
NIVELADO DEL REFRIGERADOR.....	24
AJUSTE DEL ESPACIO ENTRE LAS PUERTAS.....	25
COMPROBACIÓN DEL CONDUCTO DEL DISPENSADOR DE AGUA.....	26
INSTALACIÓN DEL CONDUCTO DEL DISPENSADOR DE AGUA.....	27
SOLUCIÓN DE PROBLEMAS.....	29
ASISTENCIA AL CONSUMIDOR	30
GARANTÍA.....	30

En EE.UU., para preguntas sobre características, funcionamiento o prestaciones, piezas, accesorios o servicio, llame al:

1-800-726-7864 (1-800-SAMSUNG)

www.samsung.com

Gane premios cuando registre su producto en www.samsung.com/global/register

ADVERTENCIAS DE SEGURIDAD



ADVERTENCIA

- Antes de utilizar el aparato, lea detenidamente este manual y consérvelo para consultarlo en el futuro.
- Puesto que las siguientes instrucciones de funcionamiento cubren varios modelos, las características de su frigorífico pueden variar ligeramente de las descritas en este manual.
- El aparato no debería ser utilizado por niños ni enfermos sin la supervisión de alguna persona adulta.
- Se debe supervisar que los niños no jueguen con el aparato.

SÍMBOLOS DE ADVERTENCIA/PRE CAUCIÓN UTILIZADOS

 ADVERTENCIA	Indica que hay peligro de que se produzcan graves heridas e incluso la muerte.
 PRECAUCIÓN	Indica que hay riesgo de daños materiales y en las personas.

OTRAS SEÑALES UTILIZADAS

	Indica algo que NO debe hacer.
	Indica algo que NO debe desmontar.
	Indica algo que NO debe tocar.
	Indica algo que debe seguir.
	Indica que debe desconectar el enchufe de la toma.
	Representa que se necesita una toma de tierra para evitar electrocuciones.
	Se recomienda que sea manipulado en un centro de servicio.

Por favor, respete estas señales de advertencia por seguridad puesto que son para evitar que sufran lesiones los usuarios y otras personas. Una vez que haya leído este manual del usuario, conviene que lo guarde en un lugar seguro por si necesita consultarlo de nuevo.



SEÑALES DE ADVERTENCIA



No enchufe varios aparatos en la misma toma.

- Esto podría provocar un sobrecalentamiento con riesgo de incendio.

Asegúrese de que el enchufe no se quede aplastado o dañado en la parte posterior del frigorífico.

- dañado en la parte posterior del frigorífico.

No rocíe e agua directamente en el interior ni en el exterior del frigorífico/congelador.

- Hay riesgo de que se produzca una descarga eléctrica.

No utilice aerosoles cerca del frigorífico.

- Hay riesgo de que se produzca una explosión o un incendio.

No tuerza demasiado el cable del enchufe ni apoye objetos pesados sobre él.

- Esto supone un riesgo de incendio. Si el cable de alimentación está dañado, pida al fabricante o al servicio técnico que se lo sustituya inmediatamente.

No introduzca el enchufe de alimentación con las manos húmedas.

- Podría recibir una descarga eléctrica.

No deje contenedores con agua sobre el frigorífico.

- Si se vierte, existe riesgo de incendio o de descargas eléctricas.

No instale el frigorífico en lugares húmedos o en zonas donde pueda mojarse.

- Un aislamiento de los componentes eléctricos deteriorado podría provocar un incendio o una descarga eléctrica.

No almacene sustancias inflamables o volátiles en el frigorífico.

- El almacenamiento de benceno, disolvente, alcohol, éter, gas licuado u otras sustancias similares podría provocar una explosión.



No desmonte ni repare el frigorífico por su cuenta.

- orre el riesgo de provocar un incendio, una avería y/o causar lesiones a personas.



Saque el enchufe de la toma de corriente antes de sustituir la luz interior del frigorífico.

- Si no lo hace, correrá el riesgo de sufrir una descarga eléctrica.



Si desea deshacerse del frigorífico, quítele antes las puertas y sus cierres.

- Hágalo de forma que a un niño le sea imposible quedarse atrapado en su interior.



El frigorífico debe disponer de una toma a tierra.

- Debe conectar el frigorífico a tierra para evitar que se produzcan fugas de corriente o descargas eléctricas provocadas por dichas fugas.



No utilice nunca como conexión a tierra tuberías de gas, líneas telefónicas u otros elementos que sean pararrayos en potencia.

El uso incorrecto de la conexión a tierra supone un riesgo de descarga eléctrica. Si es necesario utilizar un cable de extensión, use solo cables de tres conductores con enchufe macho de tres clavijas y un enchufe hembra de tres ranuras que acepten el enchufe del aparato. Las características del cable de extensión deben corresponder a 115 ~120 V CA, 10 A, o más. Si se utiliza un adaptador de toma de tierra, compruebe que la caja del receptáculo está plenamente conectada a tierra.

ADVERTENCIAS DE SEGURIDAD



SEÑALES DE PRECAUCIÓN



No sobrecargue el frigorífico de alimentos.

- Podría caerse algún objeto al abrir la puerta y provocar daños materiales y a las personas.

No sobrecargue el frigorífico de alimentos.

- Podría caerse algún objeto al abrir la puerta y provocar daños materiales y a las personas.

No deje botellas ni contenedores de cristal en el congelador.

- Al congelarse su contenido, el cristal puede romperse y provocar lesiones personales.



No desenchufe el cable de alimentación halando de él.

- Si el cable resulta dañado podría causar un cortocircuito, un incendio o una descarga eléctrica.
- Si el cable del enchufe resulta dañado, se lo deberá sustituir el fabricante, su distribuidor local o algún profesional cualificado.

No deje objetos encima del aparato.

- Al abrir o cerrar la puerta, podrían caerse esos objetos y provocar daños a alguna persona y/o daños materiales.

No almacene en el frigorífico productos farmacéuticos, material científico ni productos que sean sensibles a la temperatura.

- Los productos que requieran controles estrictos de temperatura no deben almacenarse en el frigorífico.

Impida que los niños se cuelguen de las puertas ya que podrían provocarse lesiones graves.

Si nota algún olor como a medicina o a humo, desenchufe inmediatamente el aparato y póngase en contacto con el servicio técnico de SAMSUNG Electronics.



No toque las paredes interiores del congelador ni los productos almacenados en él con las manos húmedas.

- Podría causarle daños por congelación.

No introduzca las manos por debajo del aparato.

- Sus bordes afilados podrían provocarles lesiones.

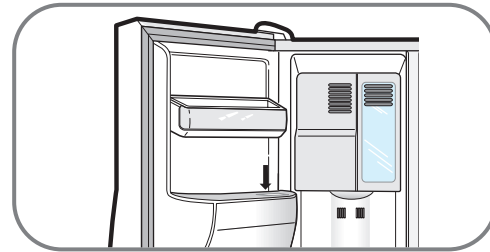
No meta nunca los dedos ni ningún objeto en el agujero del dispensador ni en el canal del hielo. Podría causar lesiones personales o daños materiales.



PELIGRO

Riesgo de que los niños queden atrapados. Antes de desechar su antiguo frigorífico o congelador:

- Desmante las puertas
- Deje las baldas en su lugar a fin de dificultar la entrada de los niños.



No utilice trapos húmedos para limpiar el enchufe. Limpie las clavijas del enchufe para eliminar el polvo y los materiales extraños.

- Si no lo hace, habrá riesgo de incendio.
- Cuando se desenchufe el frigorífico, deberá esperar al menos cinco minutos antes de volver a enchufarlo.



Si el frigorífico no se va a utilizar durante un largo período de tiempo, desconecte el enchufe de alimentación.

- Si se produce algún deterioro en el aislamiento podría causar un incendio.



- El aparato no debería ser utilizado por niños ni enfermos sin la supervisión de alguna persona adulta. Se deberá prestar atención a los niños para que no jueguen con el aparato.

- No deje el equipo directamente expuesto a la luz del sol, etc.

- El aparato debe colocarse de forma que se pueda acceder al enchufe una vez realizada la instalación definitiva.

- Si el cable del enchufe resulta dañado, se lo deberá sustituir el fabricante, su distribuidor local o algún profesional cualificado.

- Si tiene planeado irse un largo período de vacaciones, vacíe el frigorífico y desconéctelo. Limpie el exceso de humedad de su interior y deje las puertas abiertas. De lo contrario, desarrollará moho y mal olor.



Sección de servicio en garantía

- El servicio de garantía Samsung no cubre ningún cambio o modificación realizados por terceras partes en productos ya finalizados.

Sección de precaución de seguridad

- Samsung no recomienda las modificaciones de terceras partes; por lo tanto, Samsung no se hace responsable de los problemas de seguridad resultantes de modificaciones de terceras partes.

CONFIGURACIÓN DEL REFRIGERADOR

Cuando haya realizado los pasos siguientes, su refrigerador estará completamente operativo. Si no lo está, compruebe el estado de la corriente. Si tiene alguna duda, póngase en contacto con el servicio técnico de SAMSUNG.

1

Sitúe el refrigerador en un lugar adecuado dejando un espacio razonable entre la pared y el aparato (consulte las instrucciones de instalación en este mismo manual).

2

Si el refrigerador está enchufado, la luz interior debe encenderse al abrir las puertas.

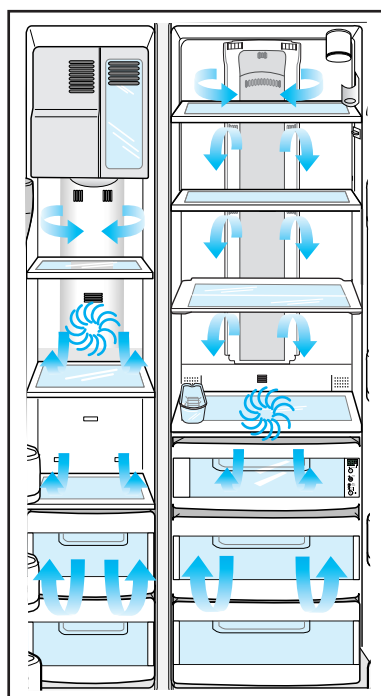
3

Ajuste el control a la temperatura más baja y espere durante una hora. El congelador deberá empezar a enfriarse y el motor funcionará suavemente.

4

Cuando el refrigerador alcance una temperatura suficientemente baja, podrá almacenar los alimentos. Después de conectar el refrigerador, éste tarda unas horas en alcanzar la temperatura adecuada.

CARACTERÍSTICAS PRINCIPALES



Sistema de refrigeración doble

- El refrigerador y el congelador tienen dos evaporadores. Con este sistema independiente, el congelador y el refrigerador se enfrían por separado según sea necesario resultando, por lo tanto, más eficiente. El olor de los alimentos del refrigerador no afecta a los alimentos del congelador por la circulación independiente del flujo de aire.

Sistema multiflujo

- El aire frío circula por los múltiples conductos de ventilación que hay en cada nivel de estante. Esto proporciona una distribución uniforme del frío dentro de los compartimentos para que mantenga frescos sus alimentos durante más tiempo.

Xtra Space™

Compartimento vertical junto al dispositivo para hacer hielo del congelador que ofrece espacio para pizzas, etc

Alarma de puerta

- Un pitido le recuerda que la puerta está abierta.

Xtra Fresh™

- Un control optimizado de la humedad mantiene frescas las frutas y las verduras.

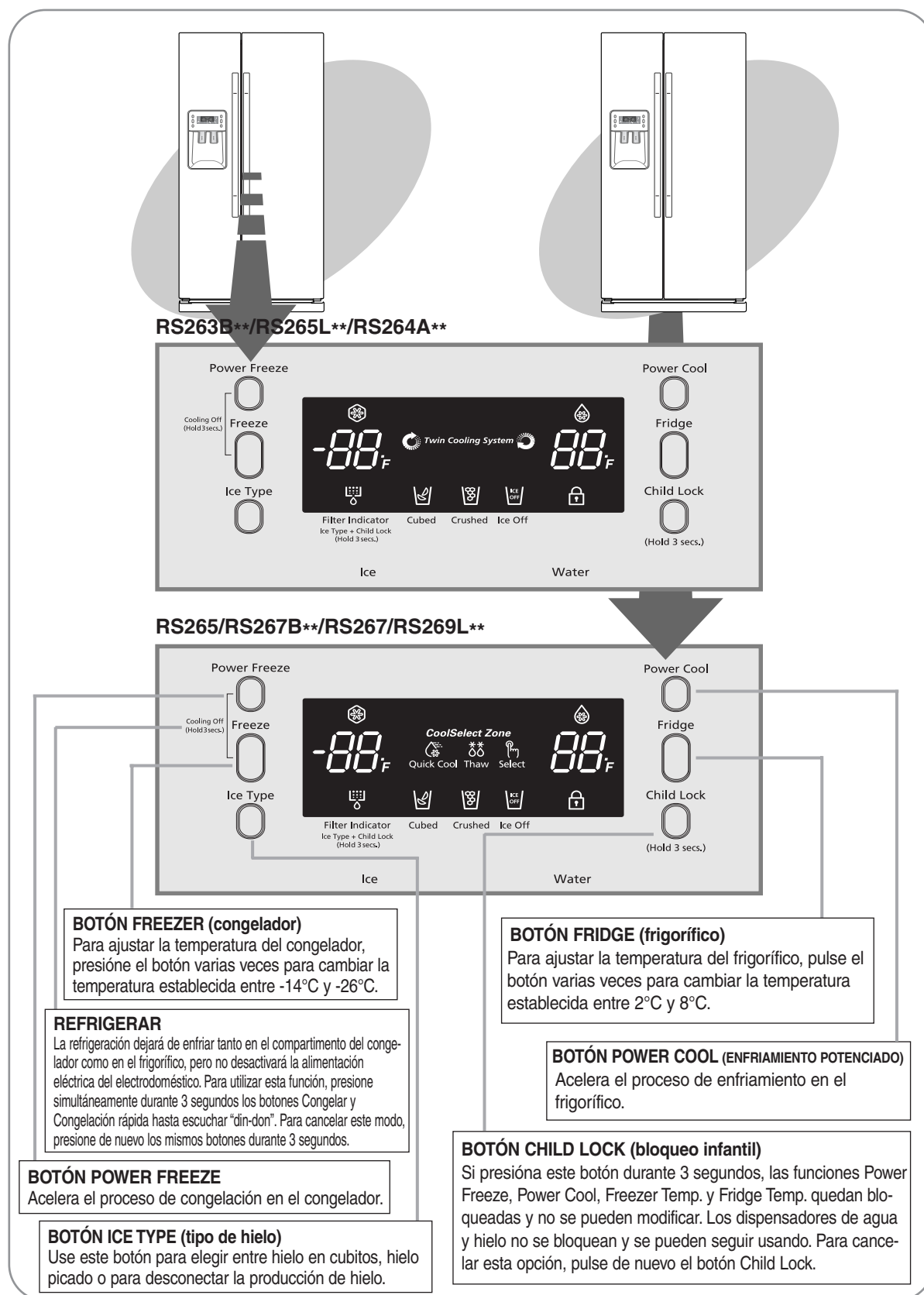
Desodorizante (en algunos modelos)

- El desodorizante reutilizable mantiene el aire del refrigerador fresco y sin olores.

Cajón CoolSelect Zone™, (RS267/RS269)

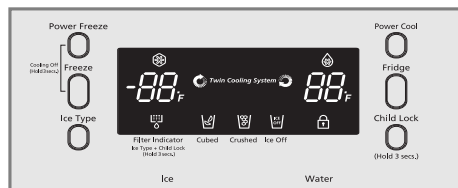
- El usuario puede seleccionar los botones Quick Cool (enfriamiento rápido), Thaw (descongelación) o Select (selección) para enfriar rápidamente, descongelar o enfriar los alimentos. Seleccione Soft Freeze (congelación suave), Cool (fresco) o Chill (frío) para controlar la temperatura del cajón.

PANEL DE CONTROL



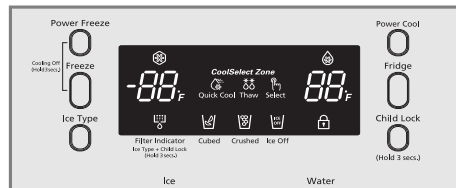
INSTRUCCIONES DE FUNCIONAMIENTO

PANEL DIGITAL



RS263B**/ RS265L**/ RS264A**

OR



RS265/RS267B**/RS267/RS269L**

Freezer indica la temperatura actual del congelador.

Fridge indica la temperatura actual del frigorífico.

Quick Cool, Thaw, y Select muestran el estado del cajón CoolSelect Zone™.

Power Freeze



- Esta luz se iluminará al presionar el botón Congelación rápida. Presione este botón para devolver rápidamente el congelador a su temperatura establecida.
- Esta función permite acelerar la fabricación de hielo.
- Presione de nuevo el botón para cancelar el modo de Congelación rápida.
- ❗ Si utiliza esta función generará un mayor consume de energía. Por favor, no olvide desconectar la función cuando no esté en uso.

Power Cool



- Esta luz se enciende al presionar el botón Power Cool. Pulse este botón para devolver rápidamente el frigorífico a la temperatura establecida.
- Presione el botón de nuevo para cancelar el modo Power Cool.

Hielo en cubitos, hielo picado o desconectar la producción de hielo



- Presione el botón Ice Type (tipo de hielo) en sucesión para elegir entre Cubed (hielo en cubitos), Crushed (hielo picado) o Ice Off para desconectar la producción de hielo.
- El icono iluminado indicará el tipo de hielo seleccionado actualmente.

Indicador del filtro



- Cambie el filtro cada seis meses: si el indicador está en naranja o púrpura en algunos modelos significa que falta un mes. Si el indicador está en rojo, se recomienda que lo sustituya lo antes posible.
- Una vez haya sustituido el filtro del agua, reinicie el indicador pulsando al mismo tiempo los botones Ice Type y Child Lock durante 3 segundos.
- Para apagar este indicador, pulse a la vez los botones Ice Type y Child Lock durante 5 segundos.

CONTROL DE TEMPERATURA

Congelador

- La temperatura del congelador puede establecerse entre 8°F y -14°F.
- Presione varias veces el botón Freezer hasta que el visor indique la temperatura deseada.
- La temperatura indicada cambia sucesivamente entre 8°F y -14°F. Cuando la temperatura llega a 8°F, vuelve a -14°F.
- Después de cinco segundos, el visor vuelve a la temperatura real del congelador. Seguidamente la unidad trabaja para ajustarse a la nueva temperatura deseada.



ADVERTENCIA

- Si conserva helado en el congelador a una temperatura superior a -16°F, podría derretirse.
- La temperatura del frigorífico o del congelador aumenta al abrirlo con frecuencia y al introducir comida caliente. Esto puede hacer que la pantalla digital empiece a parpadear. La pantalla digital dejará de parpadear cuando el frigorífico y el congelador vuelvan a la temperatura normal.

Si no se restaura la temperatura, desenchufe el frigorífico, espere 9 minutos y vuelva a enchufarlo.

Frigorífico

- La temperatura del frigorífico puede ajustarse entre 46°F y 34°F.
- Pulse varias veces el botón **Fridge** hasta que el visor indique la temperatura deseada.
- El visor de temperatura cambia sucesivamente y se reinicia de la misma forma que el congelador.

DISPENSADOR DE AGUA FRÍA Y DE HIELO

Presione el botón Ice Type para seleccionar el tipo de hielo:

- Cubed ice Para tener hielo en cubitos
- Crushed ice Para tener hielo picado
- No ice For ice off

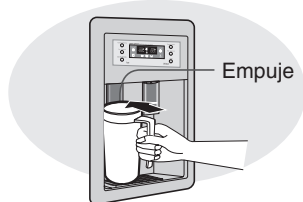


NOTA

Si sigue habiendo hielo en el cubo de hielo, se obtiene hielo en cubitos. El hielo queda en forma de cubitos y se pica cuando se pulsa el botón del hielo picado.

Empuje la palanca del dispensador de hielo con un vaso.

- Ponga un vaso alineado con el dispensador para evitar que el hielo se caiga fuera.



NOTA

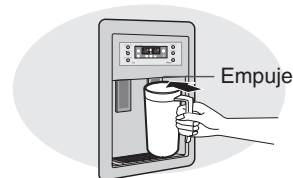
Para evitar lesiones, nunca ponga los dedos ni otro objeto en la abertura del dispensador.

Dispensador de agua

La capacidad del depósito de agua es de aproximadamente 0.3 galones.

Agua fría

- Presione la palanca del dispensador de agua con un vaso.
- Si acaba de instalar el frigorífico o un filtro de agua nuevo, deseche los primeros seis vasos de agua o hasta que el agua salga limpia, para eliminar las impurezas que pudiera haber en el sistema de suministro del agua.

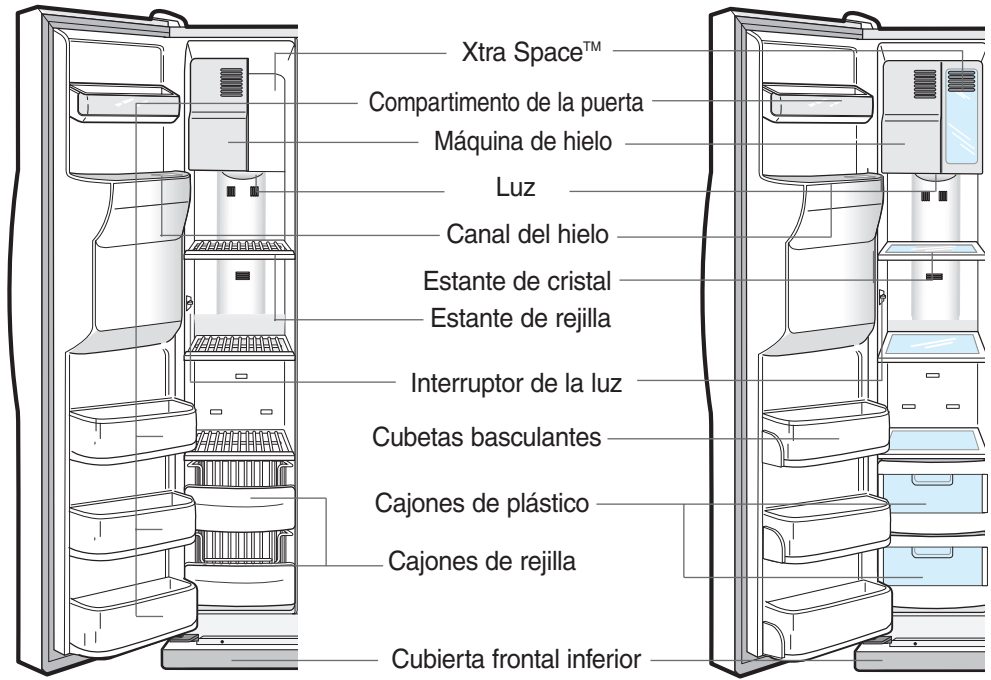


PRECAUCIÓN

Si va a estar ausente durante un tiempo largo (vacaciones o viaje de trabajo) y no usará los dispensadores de agua o hielo, cierre la válvula del agua y el suministro de agua al frigorífico. De lo contrario, podría producirse una pedida de agua.

ESTANTES Y COMPARTIMENTOS

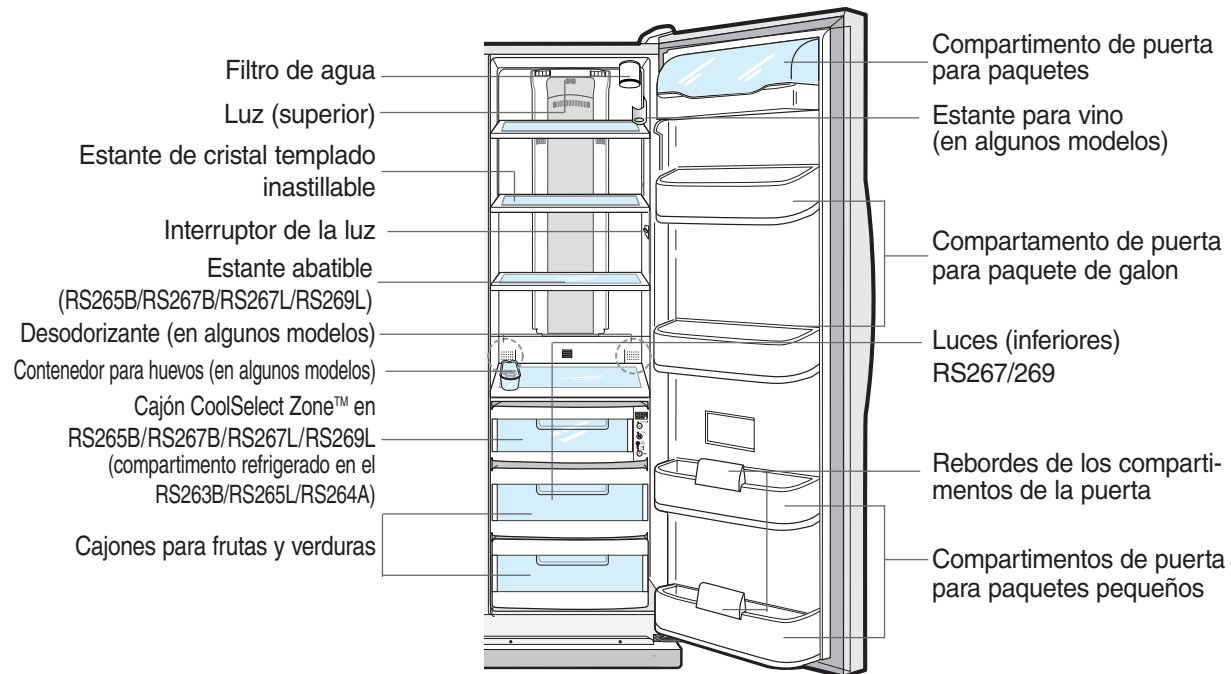
Congelador



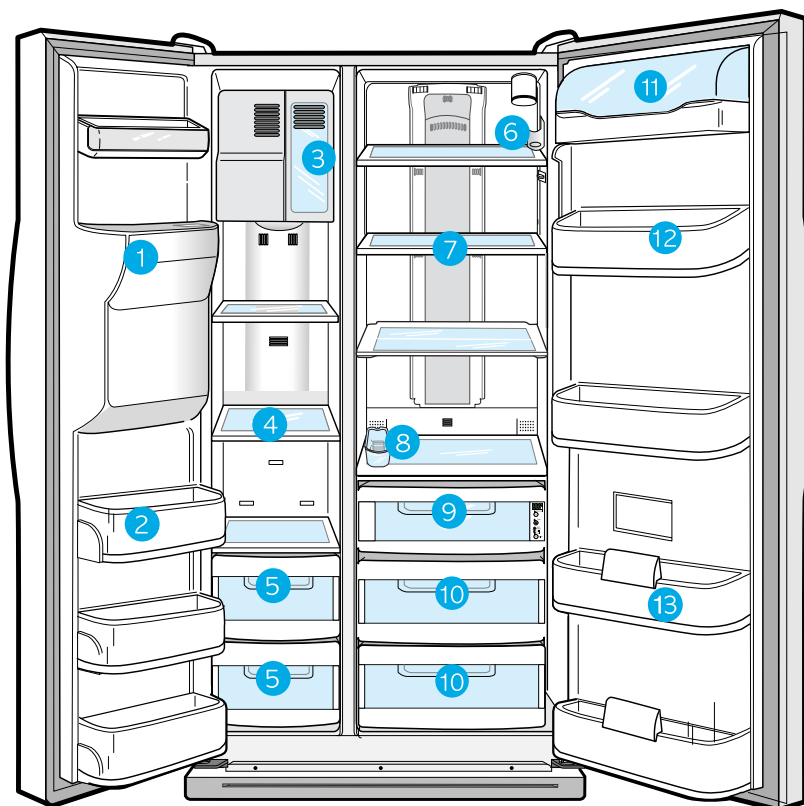
RS263B**/RS265L**/
RS264A** Model

Modelos RS265/RS267B**/
RS267/RS269L**

Frigorífico



GUÍA PARA EL ALMACENAMIENTO DE LOS ALIMENTOS



INSTRUCCIONES DE FUNCIONAMIENTO

ALMACENAMIENTO DE ALIMENTOS CONGELADOS EN EL CONGELADOR

1

Canal del hielo



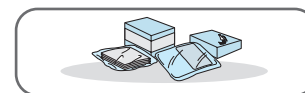
ADVERTENCIA

No meta los dedos, las manos ni otro tipo de objetos inadecuados en el canal ni en el cubo del componente para hacer hielo, ya que podría provocar lesiones o daños materiales.

2

Compartimento de la puerta (bandeja abatible)
(RS265 / RS267B** / RS267 / RS269L**)

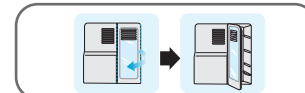
- Se puede utilizar para paquetes pequeños de alimentos congelados.



3

Xtra Space™

- Se puede utilizar para alimentos congelados como pizza, pasta, burritos y fajitas.
- Los alimentos deben introducirse bien envueltos para evitar que los olores penetren en el hielo.



4

Estante de cristal templado
(estante de, RS263B**/RS265L**/RS264A**)

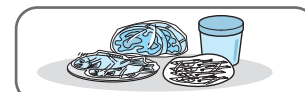
- Se puede utilizar para almacenar todo tipo de alimentos congelados.



5

Cajón de plástico (cajón de rejilla)
(RS265 / RS267B** / RS267 / RS269L**/RS264A**)

- Se puede utilizar para almacenar carne y alimentos secos. Los alimentos deben almacenarse convenientemente envueltos en papel de aluminio u otro material de envolver o en contenedores apropiados.

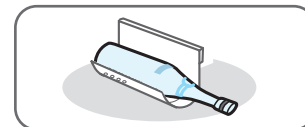


GUÍA PARA EL ALMACENAMIENTO DE LOS ALIMENTOS

ALMACENAMIENTO DE ALIMENTOS FRÍOS EN EL FRIGORÍFICO

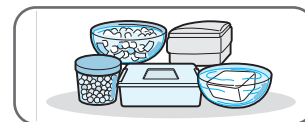
6 Estante para vino (RS265 / RS267B**/ RS267 / RS269L **/RS264A**)

- Guarde el vino en este estante para conservar su sabor.



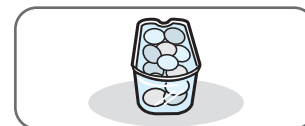
7 Estante de cristal templado inastillable

- Se puede utilizar para almacenar todo tipo de alimentos fríos.
- Seguro y difícil de romper.
- Las marcas circulares en la superficie del cristal son algo normal.



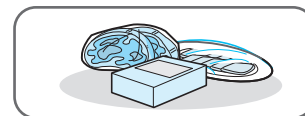
8 Contenedor para huevos (en algunos modelos)

- Ponga los huevos en el contenedor y déjelos sobre el estante.



9 Compartimento refrigerado o cajón CoolSelect Zone™

- Ayuda a conservar el sabor de la comida y prolonga su frescura. Utilícelo para almacenar queso, carnes, pescado o cualquier otro alimento que se utilice rápidamente.



10 Cajón para frutas y verduras (superior e inferior)

- Se utiliza para almacenar frutas y verduras.
- Este cajón es hermético. El diseño de control de humedad optimizado ayuda a conservar frescas las frutas y verduras almacenadas.



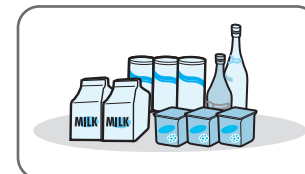
Compartimento para lácteos

- 11 • Se puede usar para almacenar la mantequilla o la margarina.



12 13 Compartimentos de puerta para paquetes pequeños

- Se puede usar para almacenar alimentos en paquetes pequeños, como leche y yogurt.



ADVERTENCIA

- Si tiene planeado irse un largo período de vacaciones, vacíe el frigorífico y desconéctelo. Limpie el exceso de humedad de su interior y deje las puertas abiertas. De lo contrario, desarrollará moho y mal olor.

GUÍA del cajón CoolSelect Zone™

RS265/RS267B**/RS267/RS269L**

Botón “Quick Cool” (enfriamiento rápido)

- Puede usar la función Quick Cool con CoolSelect Zone™.
- “Quick Cool” permite enfriar 1 a 3 latas de refresco en menos de 60 min.
- Para cancelar esta opción, pulse de nuevo el botón “Quick Cool”. CoolSelect Zone™, vuelve a la temperatura anterior.
- Cuando finalice el enfriado rápido, volverá al ajuste de temperatura “Cool” (enfriado).



NOTA

El tiempo de enfriamiento puede variar para cada bebida.



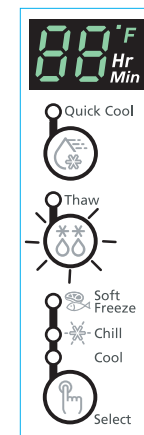
NOTA

• Para la opción “Quick Cool” tiene que sacar la comida guardada en el cajón CoolSelect Zone™ que no desea enfriar.



Botón “Thaw” (descongelación)

- Los goteos y el deterioro de la calidad de la carne reducen la frescura de los alimentos.
- Una vez seleccionado “Thaw” (descongelación), se suministrará aire caliente y frío de forma alternativa al cajón CoolSelect Zone™.
- Según el peso de la carne, puede seleccionarse sucesivamente un tiempo de descongelación de 4, 6, 10 y 12 horas, manteniendo la carne parcialmente congelada.
- Una vez finalizada la descongelación, la pantalla de CoolSelect Zone™, vuelve a mostrar el estado “Chill” (frío).
- **Una vez finalizada la descongelación, las carnes estarán en un estado semicongelado por lo que resultará más fácil cortarlas para cocinarlas.**
- Para cancelar esta opción, pulse cualquier botón excepto el de “Thaw” (descongelación).
- El tiempo aproximado de descongelación de la carne y el pescado aparecen a continuación (para piezas de 2.5 cm de grosor).



Tiempo de descongelación	4 horas	6 horas	10 horas	12 horas
Peso	0.81bs	1.31bs	1.71bs	2.21bs



NOTA

En función del tamaño y el grosor de la carne y el pescado, el tiempo de descongelación puede variar. La tabla anterior representa el peso total de la comida en el cajón CoolSelect Zone™. Por ejemplo, el tiempo total de descongelación de 1,31bs de ternera congelada y de 0.81bs de pollo congelado será de 10 horas.



NOTE

• Al seleccionar la opción “Thaw” tiene que sacarse la comida guardada en el cajón CoolSelect Zone™ que no desea descongelar.

GUÍA del cajón CoolSelect Zone™

Botón “Select”

1 Congelación suave

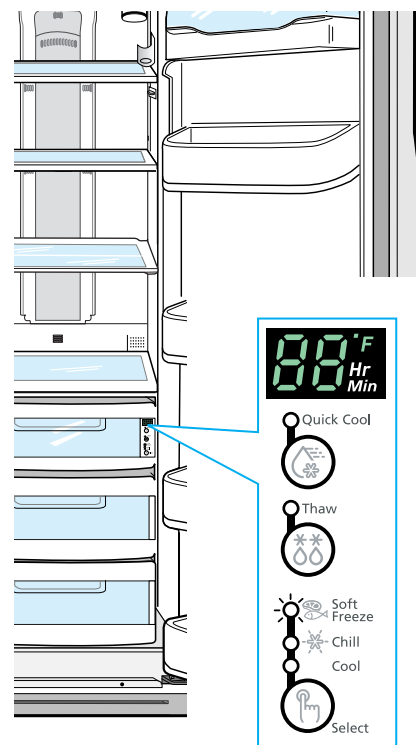
- Cuando seleccione “Soft Freeze”, la temperatura del panel digital indicará 2.3°F independiente de la temperatura ajustada en el frigorífico.
- La temperatura de congelación suave ayuda a mantener frescas las carnes y los pescados durante más tiempo.

2 Chill (frío)

- Cuando seleccione “Chill”, la temperatura del cajón CoolSelect Zone™ se mantendrá en -1°C con independencia de la temperatura establecida en el frigorífico.
- La temperatura de “frío” ayuda a mantener frescas las carnes y los pescados durante más tiempo.

3 Cool (fresco)

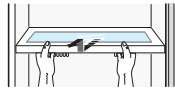
- Cuando seleccione “Cool”, la temperatura será la misma que la temperatura establecida en el frigorífico. El panel digital muestra la misma temperatura que la del panel de la pantalla.
- Cuando se usa “Cool”, el cajón CoolSelect Zone™ es un espacio más del frigorífico.



DESMONTAJE DE LOS ACCESORIOS DEL CONGELADOR

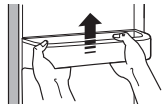
1 Estante de cristal

- Tire del estante hacia afuera hasta que haga tope. Luego, levántelo y extráigalo.



2 Compartimento de la puerta

- Agarre el compartimento de la puerta con las dos manos y levántelo.



3 Cajón de plástico (cajón de rejilla)

- Extraiga el cajón tirando de él y levantándolo ligeramente.

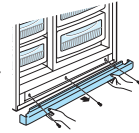


4 Cubo de la máquina de hielo

- Extraiga el cubo levantándolo y tirando de él.

5 Cubierta frontal inferior

- Abra las puertas del frigorífico y del congelador, retire los tres tornillos y desmonte la cubierta.
- Para volver a montar la cubierta delantera inferior, vuélvala a colocar en la posición original y apriete los tres tornillos.



NOTA

- No ejerza demasiada fuerza al extraer la cubierta. Podría lesionarse.

DESMONTAJE DE LOS ACCESORIOS DEL REFRÍGERADOR

1 Estante de cristal inastillable

- Tire del estante hacia afuera hasta que haga tope. Luego, levántelo y extráigalo con cuidado.

2 Cajón para frutas y verduras

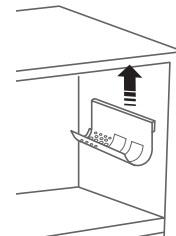
- Extraiga el cajón agarrando el tirador, tirando del cajón hacia afuera y levantándolo suavemente.
- Extraiga la tapa del control de humedad optimizado tirando de ella hacia usted.

3 Compartimento de puerta para paquetes pequeños

- Agarre el compartimento con las dos manos y levántelo para extraerlo.

4 Estante para vino (RS265 / RS267B**/ RS267/ RS269L**/RS264A**)

- Está fijado a la pared de la caja. Para extraer el estante para vino, levántelo en la dirección que indica la flecha.
- Simplemente saque el estante de las pestañas.



NOTA

- Antes de extraer los accesorios del frigorífico y el congelador, ponga los alimentos almacenados en otro lugar.

LIMPIEZA DE LOS ACCESORIOS

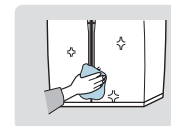
Interior

- Limpie los accesorios con un detergente suave y séquelos con un paño seco.
- Después de lavar los accesorios, debe secarlos bien antes de volver a utilizarlos.



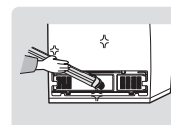
Exterior

- Limpie el panel digital y la pantalla con un paño limpio.
- Lave la superficie de las puertas, los tiradores y la caja con un detergente y un paño suaves y, después, séquela con un trapo seco.
 - No utilice benceno, disolvente ni lejía para la limpieza.
 - No rocíe agua directamente en la superficie del frigorífico para limpiarlo.
- La parte exterior del frigorífico debe limpiarse una o dos veces al año.



Parte posterior

- Use una aspiradora para quitar el polvo una o dos veces al año.



- No quite la tapa, podría electrocutarse.

ADVERTENCIA

Dispensador de agua fría y de hielo

- Use un paño húmedo para limpiar el dispensador de agua y de hielo. Después, séquelo con un trapo seco.
- Para mantener la rejilla de desagüe seca, no toque el dispensador de agua y de hielo.



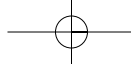
Juntas de goma de las puertas

- Si las juntas de goma de las puertas están sucias, la puerta no se cerrará correctamente y el frigorífico no funcionará eficientemente. Limpie las puertas con un detergente suave y un paño húmedo. Después, séquelos con un trapo.



ADVERTENCIA

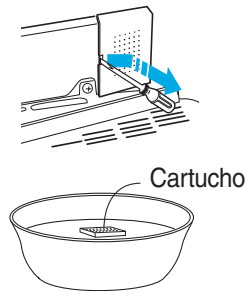
- No echen agua sobre el frigorífico. Podría provocar una descarga eléctrica.
- No utilice benceno, disolvente ni detergente de coches para limpiarlo. Podría provocar un incendio.



LIMPIEZA DE LOS ACCESORIOS

Desodorizante doble

- Extraiga la tapa con un destornillador de punta plana según se muestra.
- Extraiga el cartucho y límpielo dejándolo en agua tibia durante al menos 4 horas. Deje el cartucho a la luz del sol en un lugar abierto durante al menos 8 horas hasta que se seque completamente.
- Repita el proceso una o dos veces al año.



NOTA

- Si se deja secar en un área cerrada, el olor puede extenderse a toda el área.
- Mantenga a los niños alejados de esta agua.

SUSTITUCIÓN DE LA LUZ INTERIOR



ADVERTENCIA

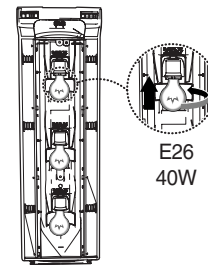
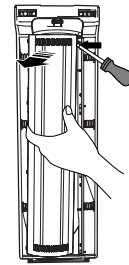
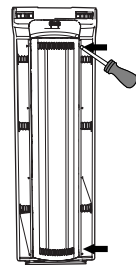
Antes de cambiar la luz interior, desenchufe el frigorífico de la toma de corriente. Si tiene algún problema para cambiar la luz, póngase en contacto con su servicio técnico.



LUZ INTERIOR DEL FRIGORÍFICO

Superior

- 1 Coloque un destornillador de cabeza plana en los enganches de la tapa de la bombilla y presione en la dirección de la flecha.
- 2 Tire de la cubierta en la dirección indicada por la flecha.
- 3 Una vez sustituida la bombilla, vuelva a instalar correctamente su tapa.

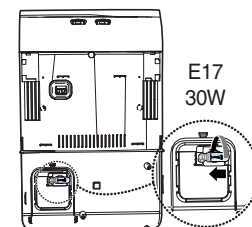
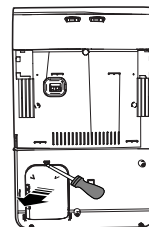
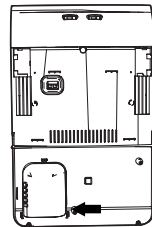


NOTA

Las bombillas de recambio del congelador y del frigorífico se pueden comprar en cualquier tienda de electrónica o en un establecimiento de bricolaje. Utilice bombillas de tamaño E26 y un máximo de 40 vatios.

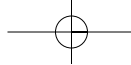
Inferior (RS265 / RS267B**/ RS267/ RS269L**)

- 1 Coloque un destornillador de cabeza plana en los enganches de la tapa de la bombilla y presione en la dirección de la flecha.
- 2 Sustituya la bombilla por otra nueva (2).
- 3 Una vez sustituida la bombilla, vuelva a instalar correctamente su tapa.



NOTA

Las bombillas de recambio del congelador y del frigorífico se pueden comprar en cualquier tienda de electrónica o en un establecimiento de bricolaje. Utilice bombillas de tamaño E17 y un máximo de 30 vatios.



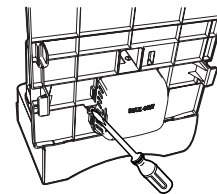
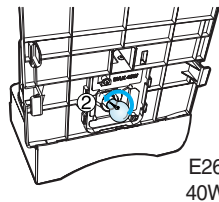
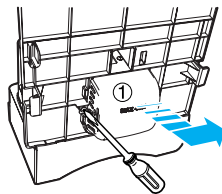
SUSTITUCIÓN DE LA LUZ INTERIOR



LUZ INTERIOR DEL CONGELADOR

La bombilla del congelador se encuentra situada en la parte inferior de la carcasa del motor.

- 1** Utilice un destornillador (+) para retirar el tornillo (①).
- 2** Sustituya la bombilla por otra nueva (②).
- 3** Vuelva a instalar correctamente la tapa.



NOTA

Las bombillas de recambio del congelador y del frigorífico se pueden comprar en cualquier tienda de electrónica o en un establecimiento de bricolaje. Utilice bombillas de tamaño E26 y un máximo de 40 vatios.

FILTRO DE AGUA

Luz del “indicador del filtro” de agua

- La luz del indicador del filtro le indica cuándo tiene que cambiar el cartucho del filtro de agua. La luz de color verde cambiará a color naranja. Esto le indica que muy pronto tendrá que cambiar el cartucho.

Se recomienda que sustituya el cartucho cuando la luz cambie a color rojo (consulte la sección “Instalación del filtro de agua” para obtener más información).

- Cuando instale el filtro de agua, deseche los primeros seis vasos de agua o hasta que el agua salga limpia, para eliminar las impurezas que pudiera haber en el sistema de suministro del agua.

Uso del dispensador sin el filtro de agua

- No puede utilizar el dispensador de agua y hielo sin el cartucho del filtro de agua porque el conducto se bloquearía en la toma de agua.

Solicitud de filtros de recambio

- Para solicitar más cartuchos de filtro de agua, llame al 1-888-77LOWES (775-6937) pida el repuesto n.º DA29-00003A o póngase en contacto con su Distribuidor autorizado Samsung.

PUERTAS

Las puertas del frigorífico tienen una característica especial de apertura y cierre que sirve para asegurar que queden completamente cerradas y selladas.

Puede abrir la puerta hasta una cierta distancia superada la cual, la puerta se quedará abierta.

Cuando la puerta esté parcialmente abierta se cerrará automáticamente.

El frigorífico se ha de montar y nivelar correctamente.

INSTALACIÓN DEL REFRIGERADOR



COMPROBACIÓN DE LAS DIMENSIONES DE SU PUERTA DE ENTRADA

Compruebe las dimensiones de su puerta de entrada para saber si el frigorífico puede pasar por ella.

Modelo		RS263/RS264/RS265/RS267/RS269	
Capacidad (pies cúbicos)		26.1	
Dimensiones (en pulg.)	Ancho		
	Altura de la caja	sin bisagra	68.8
		con bisagra	70
	Fondo	con puerta	34
sin puerta		30.5	



Selección de la ubicación del frigorífico

- Seleccione una ubicación que tenga fácil acceso a una toma de agua.
- Seleccione una ubicación con suficiente espacio para el frigorífico.
- Seleccione una ubicación que no esté expuesta a la luz directa del sol.
- Seleccione una ubicación con el suelo nivelado o casi.



NOTA

- Antes de desmontar la puerta del congelador, debe desconectar el conducto de la toma del agua. (Si no, el conducto de la toma de agua podría resultar dañado).
- Consulte "Extracción del conducto de la toma del agua del frigorífico" en la página siguiente.

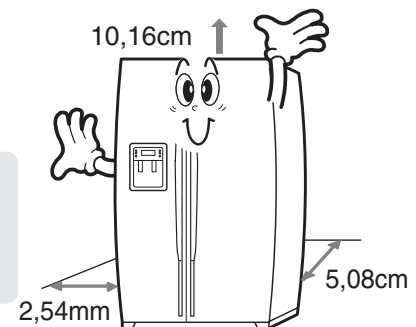
Deje espacio suficiente para que pueda circular el aire en el sistema de refrigeración interno.

- Si el frigorífico no cuenta con suficiente espacio, puede que el sistema de refrigeración interno no funcione correctamente.



NOTA

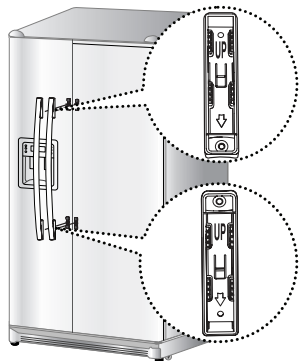
- Al instalar el frigorífico, deje espacio libre a la derecha, a la izquierda, en la parte de atrás y en la parte superior. De esta forma, se tiene la ventaja de reducir el consumo de energía.
- No instale el frigorífico en una ubicación donde la temperatura pueda ser inferior a 50°F (10°C).



Cómo montar el tirador de la puerta separable (opcional)

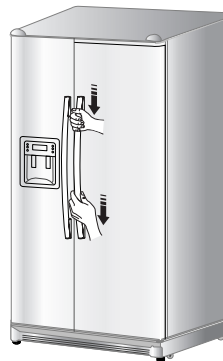
1

- Asegúrese de que la marca "UP" (arriba) en la parte posterior del tirador apunta correctamente hacia arriba.
- Haga coincidir las Pestañas de cierre superior e inferior de las puertas con los tiradores.



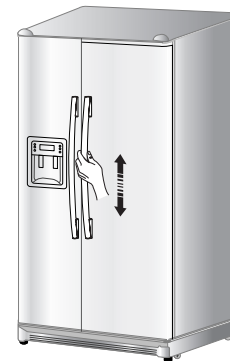
2

- Fije los tiradores a las puertas deslizándolos firmemente hacia abajo.



3

- Compruebe la instalación de los tiradores ejerciendo presión sobre uno de ellos.
- Si los tiradores han sido instalados correctamente, no deberían moverse en absoluto.



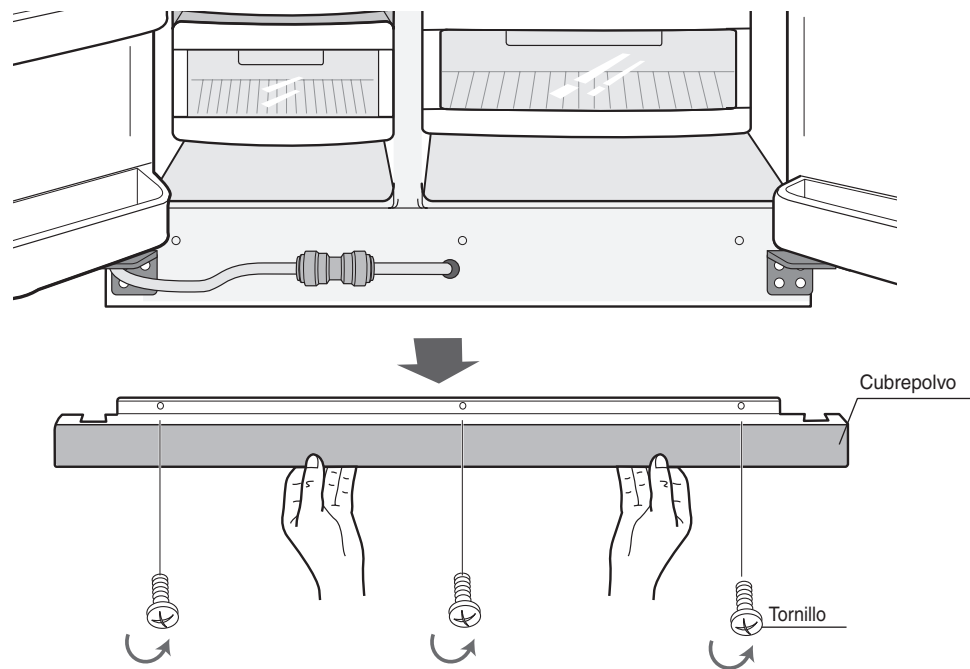
INSTRUCCIONES DE INSTALACION

DESMONTAJE DE LAS PUERTAS DEL REFRIGERADOR



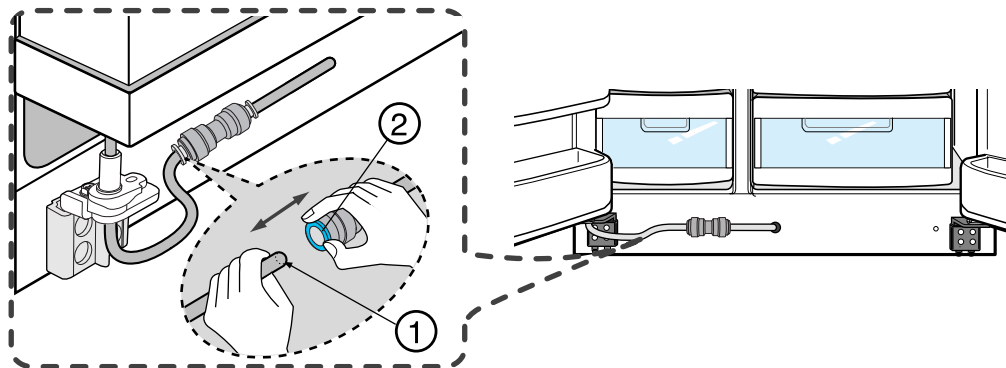
Desmontaje de la cubierta frontal inferior

Abra las puertas del frigorífico y del congelador y luego desmonte la cubierta frontal inferior girando los tres tornillos en sentido contrario a las agujas del reloj.

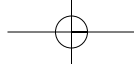


Desconexión del conducto de la toma de agua del frigorífico

Extraiga el tubo del agua presionando el acoplador (2) y tirando del tubo del agua (1) hacia afuera.



NOTA No corte el tubo del agua. Debe separarlo del acoplador.



DESMONTAJE DE LAS PUERTAS DEL REFRÍGERADOR



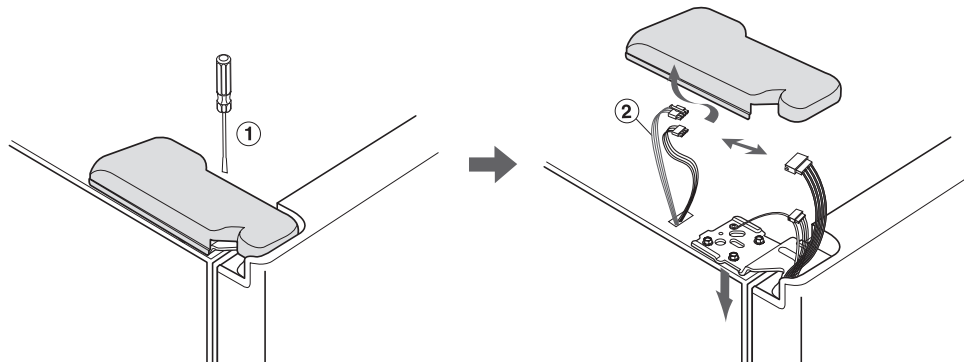
NOTA

- Levante la puerta hacia arriba.
- Tenga cuidado de no pillar las tuberías de agua ni los cables de la puerta.
- Coloque las puertas sobre una superficie protegida.

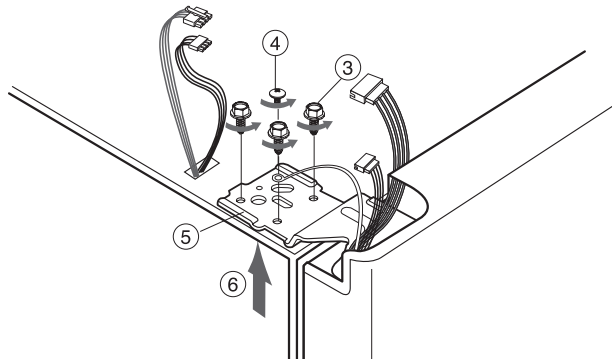


Desmontaje de la puerta del congelador

- 1) Con la puerta cerrada, use un destornillador para extraer la cubierta de la bisagra superior (①) y, a continuación, desconecte los cables (②).

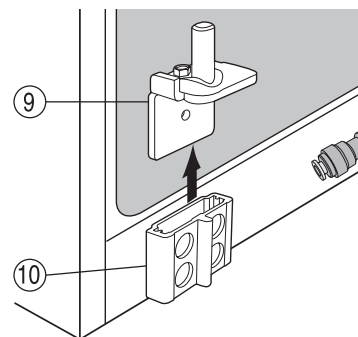
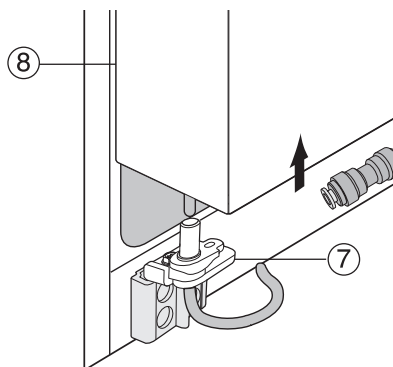


- 2) Extraiga los tornillos de la bisagra (③) el tornillo de tierra (④) en sentido contrario a las agujas del reloj y extraiga la bisagra superior (⑤) en la dirección de la flecha (⑥). Tenga cuidado al retirar la puerta, para que no le caiga encima.



- 3) Desmonte la puerta de la bisagra inferior (⑦) levantándola con cuidado (⑧).

- 4) Saque la bisagra inferior (⑨) del soporte de la bisagra inferior (⑩) levantándola (⑨) en la dirección de la flecha.



INSTRUCCIONES DE INSTALACION

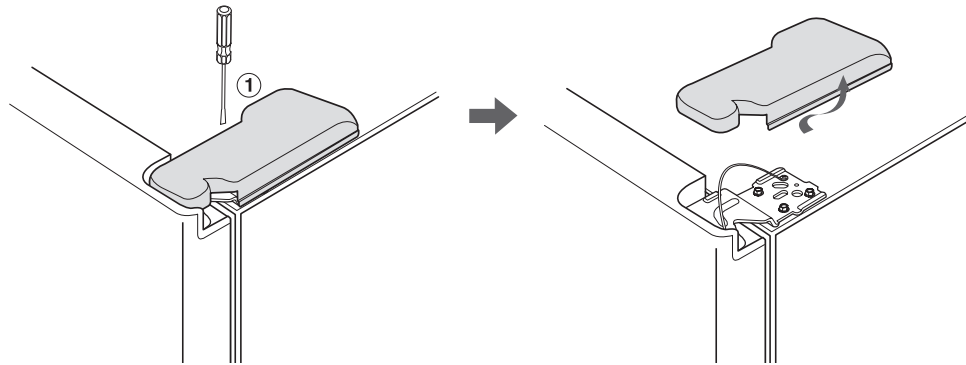


DESMONTAJE DE LAS PUERTAS DEL REFRIGERADOR

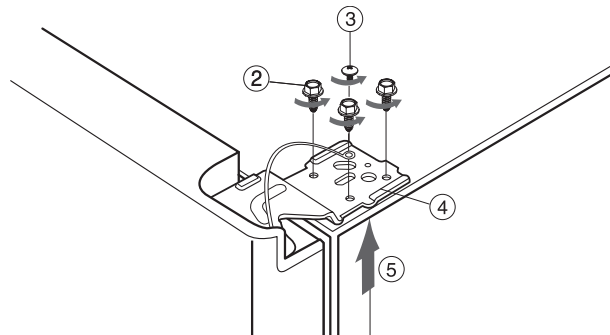


Desmontaje de las puertas del frigorífico

- 1) Con la puerta cerrada, use un destornillador para extraer la cubierta de la bisagra superior (①).

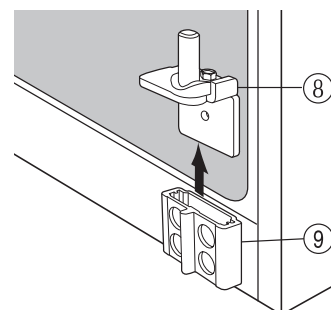
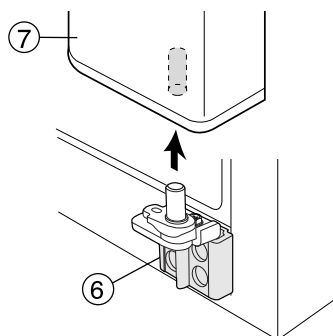


- 2) Extraiga los tornillos de la bisagra (②) y el tornillo de tierra (③) en sentido contrario a las agujas del reloj y extraiga la bisagra superior (④) en la dirección de la flecha (⑤). Tenga cuidado al retirar la puerta, para que no le caiga encima.



- 3) Desmonte la puerta de la bisagra inferior (⑥) levantando la puerta (⑦).

- 4) Saque la bisagra inferior (⑧) del soporte (⑨) levantándola (⑧).

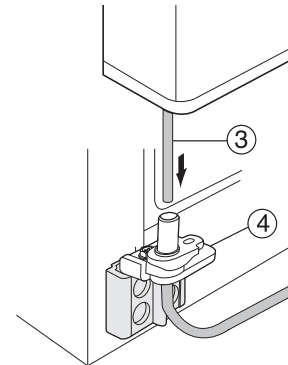
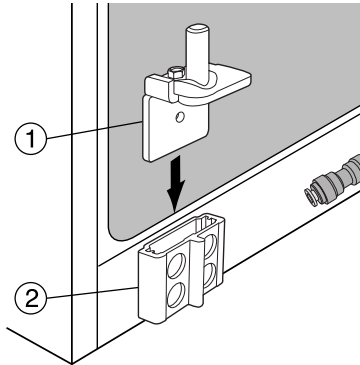


MONTAJE DE LAS PUERTAS DEL REFRÍGERADOR

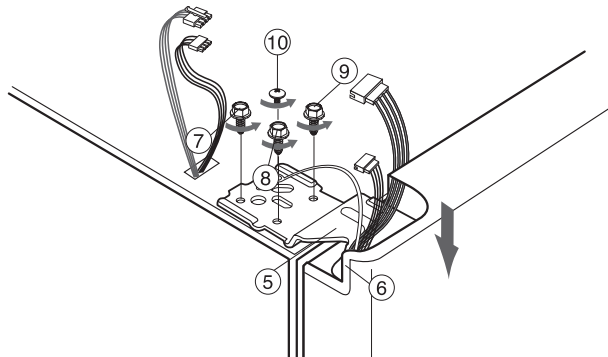


Montaje de la puerta del congelador

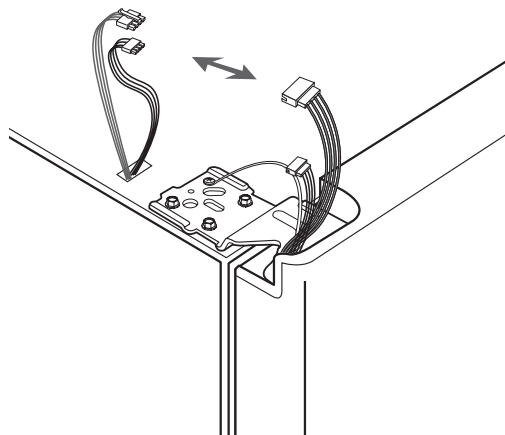
- 1) Introduzca la bisagra inferior (①) en el soporte de la bisagra inferior (②).
- 2) Coloque la puerta del congelador introduciendo el tubo (③) de la parte inferior de la puerta por el agujero de la bisagra inferior (④) y tire el tubo hacia abajo.



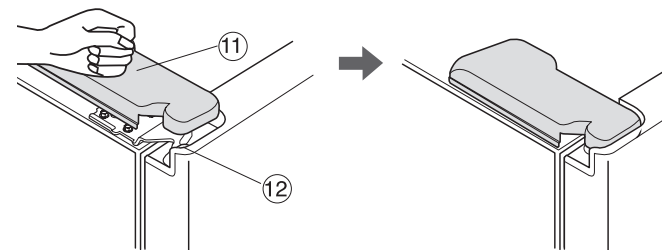
- 3) Introduzca el eje de la bisagra superior (⑤) en el orificio (⑥). Tras nivelar el agujero de la bisagra superior (⑦) con el agujero de la caja (⑧), vuelva a colocar los tornillos de la bisagra (⑨) y de tierra (⑩) en el sentido de las agujas del reloj.



- 4) Conecte los cables.



- 5) Coloque la parte frontal de la cubierta de la bisagra superior (⑪) sobre la parte frontal de la bisagra superior (⑫) y vuelva a montarla, empezando por la parte frontal de la cubierta.



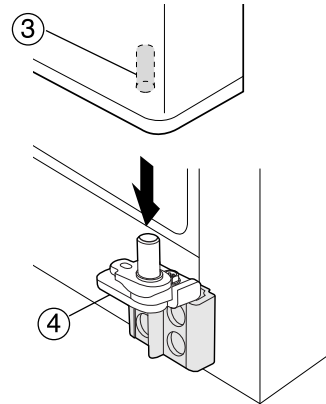
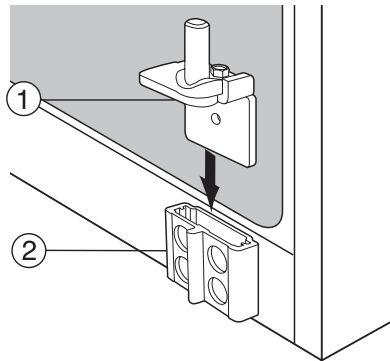
INSTRUCCIONES DE INSTALACION

MONTAJE DE LAS PUERTAS DEL REFRÍGERADOR

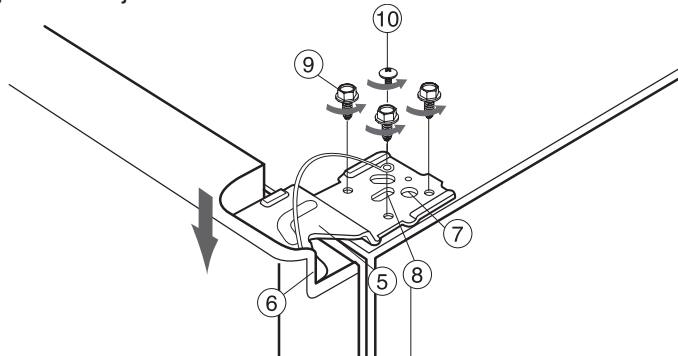


Montaje de la puerta del frigorífico

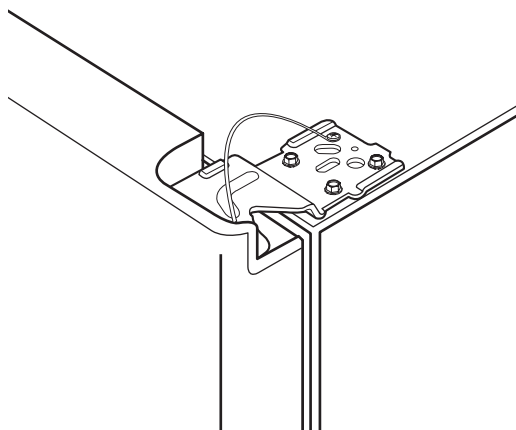
- 1) Introduzca la bisagra inferior (①) en el soporte de la bisagra inferior (②).
- 2) Coloque el agujero de la puerta del frigorífico (③) sobre la bisagra inferior (④).



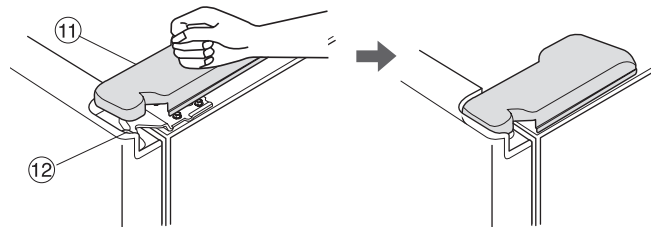
- 3) Introduzca el eje de la bisagra superior (⑤) en el orificio (⑥). Tras nivelar el agujero de la bisagra superior (⑦) con el agujero de la caja (⑧). Vuelva a colocar los tornillos de la bisagra (⑨) y de tierra (⑩) en el sentido de las agujas del reloj.



- 4) Conecte los cables.



- 5) Coloque la parte frontal de la cubierta de la bisagra superior (⑪) sobre la parte frontal de la bisagra superior (⑫) y vuelva a montarla, empezando por la parte frontal de la cubierta.

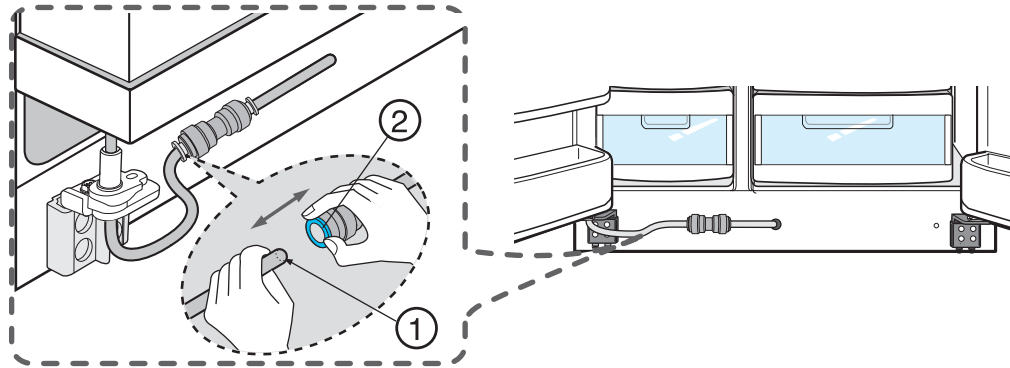


MONTAJE DE LAS PUERTAS DEL REFRÍGERADOR

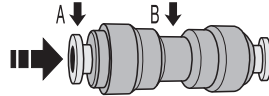


Montaje del conducto de la toma de agua

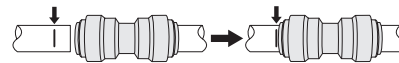
Presionando la parte frontal del acoplador (①), introduzca el conducto del agua (②) en el acoplador.



Empuje el collar "A" contra el cuerpo "B" y sujete.



Después extraiga el tubo del conector.



NOTA

El tubo debe ser totalmente introducido hasta la línea marcada para evitar posibles fugas o escapes.



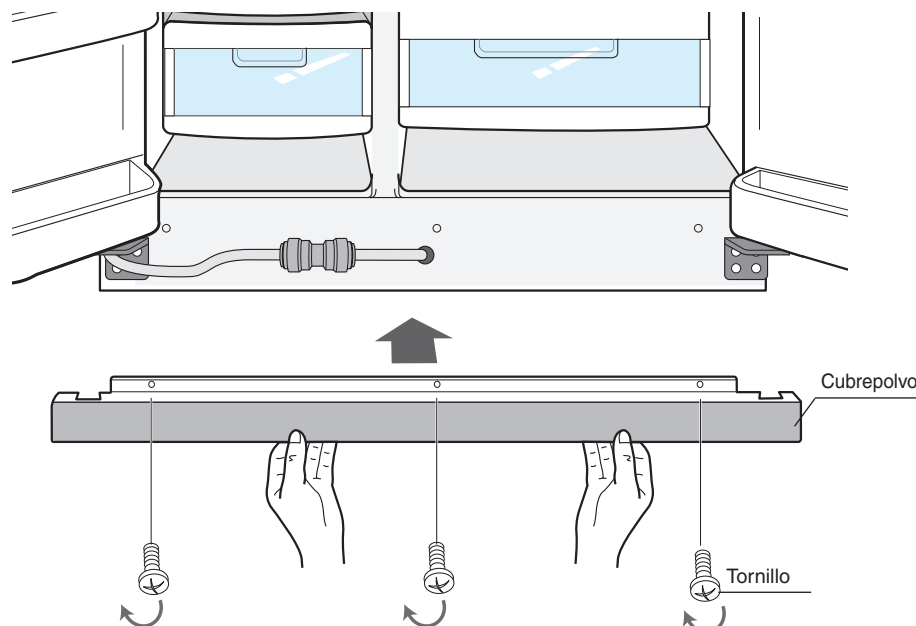
Montaje de la cubierta frontal inferior

Coloque la cubierta frontal inferior girando los tres tornillos en sentido a las agujas del reloj, según se muestra en la figura.



NOTA

Antes de conectar compruebe el conector del agua y compruebe si hay fugas.



NIVELADO DEL REFRIGERADOR



Antes de ajustar las puertas compruebe que el frigorífico esté nivelado.

Si el refrigerador no está nivelado, las puertas llegarán a ser desequilibradas

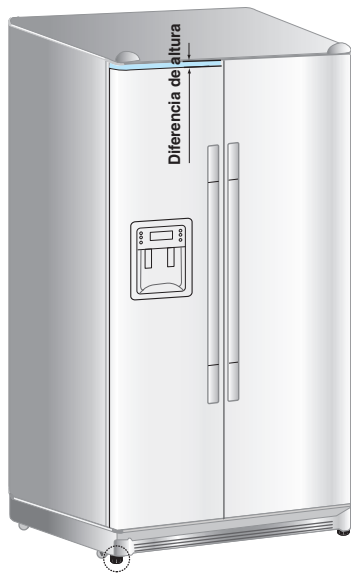


La parte delantera del frigorífico es ajustable.

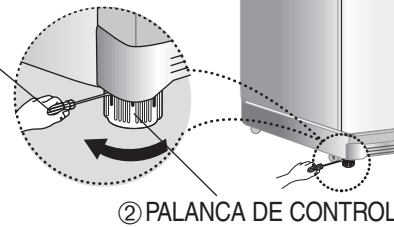
NOTA

Caso 1) La puerta del congelador está más baja que la del frigorífico

Introduzca un destornillador de punta plana (-) (①) en una ranura de la palanca de control (②) y gírela en el sentido de las agujas del reloj para nivelar el frigorífico.



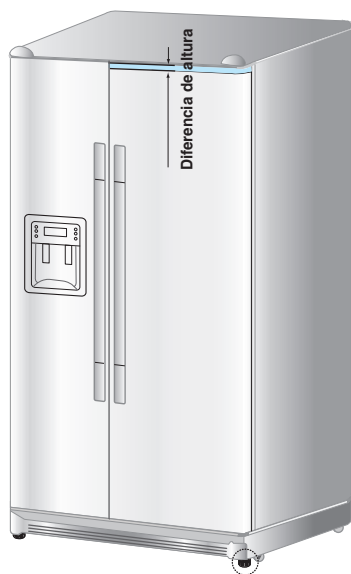
① DESTORNILLADOR (-)



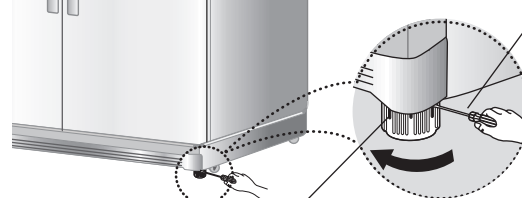
② PALANCA DE CONTROL

Caso 2) La puerta del congelador está más alta que la del frigorífico

Introduzca un destornillador de punta plana (-) (①) en una ranura de la palanca de control (②) y gírela en el sentido de las agujas del reloj para nivelar el frigorífico.



① DESTORNILLADOR (-)

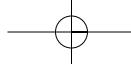


② PALANCA DE CONTROL



NOTA

No utilice la palanca de control para hacer pequeños ajustes. Para esto consulte la página siguiente.



AJUSTE DEL ESPACIO ENTRE LAS PUERTAS



Ajuste el nivelado en primer lugar.

NOTA



Ajustes pequeños entre las puertas

Si la puerta del congelador está más baja que la del frigorífico



Si la puerta del congelador está más alta que la del frigorífico



Abra las puertas y ajústelas de la manera siguiente:

1) Afloje la tuerca (①) de la bisagra inferior hasta que llegue al extremo superior del tornillo (②).



Cuando afloje la tuerca (①), use la llave que se adjunta (③) para girar un poco el tornillo (②) en sentido contrario al de las agujas del reloj. De esta forma podrá aflojar la tuerca (①) con los dedos.

NOTA

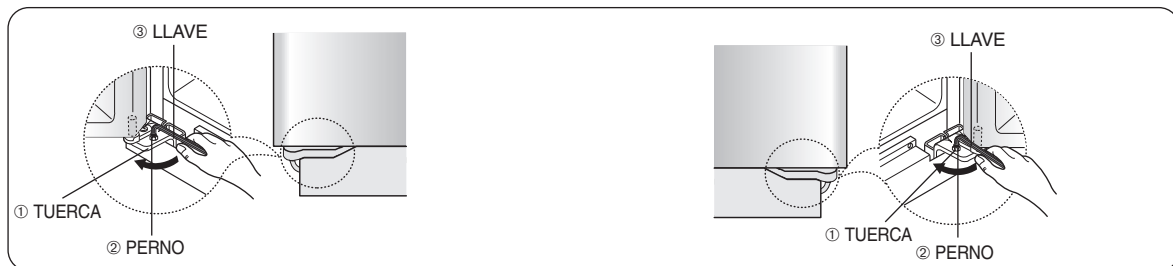


2) Ajuste la diferencia de altura entre las puertas girando el perno (②) en el sentido de las agujas del reloj (↻) o en sentido inverso (↺).

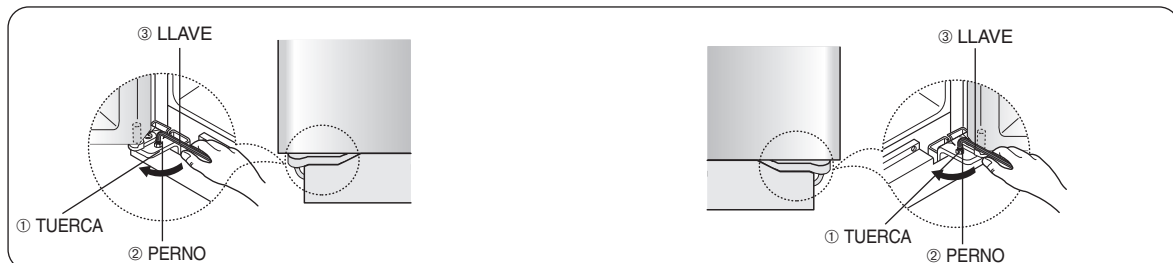


Cuando gire en el sentido de las agujas del reloj (↻), la puerta subirá.

NOTA



3) Después de ajustar las puertas, gire la tuerca en el sentido de las agujas del reloj (↻) hasta que llegue al extremo inferior del perno, seguidamente apriete de nuevo el perno con la llave (③) para fijar la tuerca (①).



Si no asegura bien la tuerca (①), el tornillo (②) podría soltarse.

NOTA

INSTALLATION INSTRUCTIONS

COMPROBACIÓN DEL CONDUCTO DEL DISPENSADOR DE AGUA

- 1) Para poder utilizar correctamente la máquina de hielo, se requiere que el agua tenga una presión de 20 a 125 psi. Con este rango de presión, se puede llenar un vaso de papel de 170 ml en 10 segundos.
- 2) El filtro de agua elimina partículas. No esteriliza ni destruye microorganismos.
- 3) Si el frigorífico se instala en una zona en la que el agua sale con baja presión (inferior a 20 psi), deberá instalar una bomba para aumentar esta presión.
- 4) Asegúrese en primer lugar de que el depósito del agua del frigorífico esté lleno.
Presione la palanca del dispensador de agua hasta que salga agua por la boquilla.



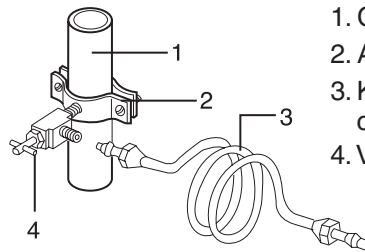
NOTA

El kit de instalación del conducto de agua está disponible en su distribuidor por un coste adicional.
El fabricante del frigorífico recomienda utilizar un kit de suministro de agua que contiene tubos de cobre.

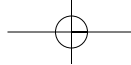


Conexión del conducto de la toma de agua

- Cierre el conducto de la toma principal de agua y ponga el componente para hacer hielos en la posición off (desconectado).
- Localice el conducto de agua potable fría más cercano.
- Siga las instrucciones del kit de instalación del componente para hacer hielo.



1. Conducto del agua fría
2. Abrazadera de tubería
3. Kit de instalación del conducto de agua
4. Válvula de cierre



INSTALACIÓN DEL CONDUCTO DEL DISPENSADOR DE AGUA



Conecte el conducto de agua al frigorífico.

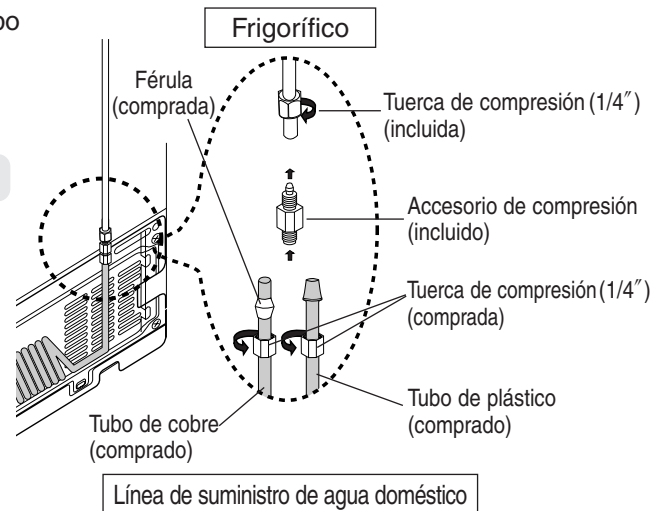
1) Pase la tuerca de compresión a través del tubo de plástico incluido.

2) Apriete la tuerca de compresión sobre un adaptador de compresión de 1/4".



NOTA No sobreapriete la tuerca de compresión.

- Utilizando tubos de cobre
 - Pase la tuerca de compresión y la férula sobre el tubo de cobre, como se muestra.
 - Utilizando tubos de plástico
 - Inserte el extremo moldeado del tubo de plástico en el accesorio de compresión.
- 3) Apriete la tuerca de compresión sobre el accesorio de compresión.
- 4) Encienda el suministro de agua y realice una comprobación en busca de fugas.



NOTA El conducto de agua debe conectarse exclusivamente a un suministro de agua potable. Corte uniformemente 1/4 de pulgada del tubo de plástico provisto para evitar fugas al reconectarlo.



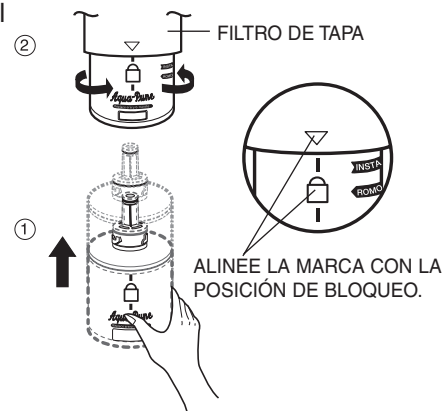
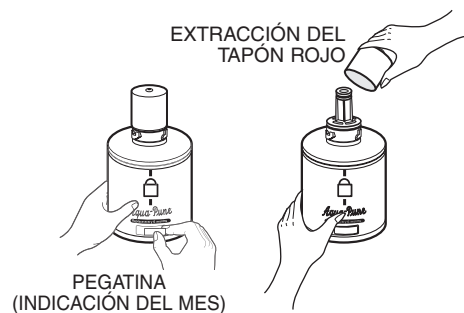
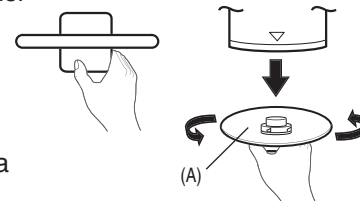
Instalar el filtro de agua

1) El tapón fijo se separa del frigorífico, según se muestra, girándolo en sentido contrario a las agujas del reloj. Quite el filtro de agua de la caja y ponga el adhesivo indicador del mes en el filtro según se muestra.



NOTA Guarde el tapón (A) en un lugar seguro para reutilizarlo cuando no use el filtro.

- 2) Si se ha instalado el filtro de agua en marzo, coloque la pegatina "SEP".
- 3) Retire el tapón protector e introduzca el filtro según se muestra.
- 4) Gire lentamente el filtro de agua 90° en el sentido de las agujas del reloj para alinearla con la marca de la cubierta y encajar el filtro en su posición. No lo apriete en exceso.



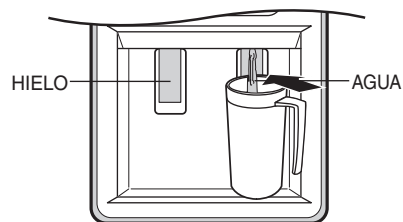
NOTA Compruebe que el filtro esté encajado en posición alineada con la marca.

INSTALACIÓN DEL CONDUCTO DEL DISPENSADOR DE AGUA



Elimine los residuos que haya en el conducto de la toma de agua después de instalar el filtro.

- 1) Abra la toma principal de agua y cierre la válvula del conducto de la toma de agua.
- 2) Deje correr el agua por el dispensador hasta que salga limpia (6~7 minutos). Esto limpiará el sistema de suministro de agua y retirará el aire de los conductos.
- 3) Puede que en algunos casos sea necesario dejar correr el agua durante más tiempo.
- 4) Abra la puerta del frigorífico y compruebe si hay alguna fuga de agua alrededor del filtro de agua.



NOTA

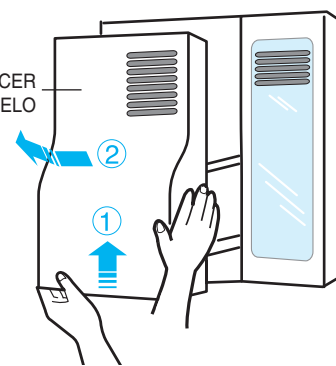
- Si se acaba de instalar el cartucho de un filtro de agua, éste podría arrojar agua brevemente por el dispensador.
- Antes de volver a instalar el filtro de agua, retire el estante para vino (RS267/RS269).



Compruebe la cantidad de agua que llega a la bandeja de hielo.

- 1) Levante (1) y tire (2) del cubo de la máquina de hielo del congelador.

COMPONENTE PARA HACER CUBITOS DE HIELO



- 2) Cuando pulse el botón de prueba, el contenedor de cubitos de hielo se llenará de agua corriente.

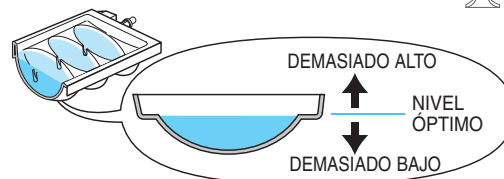
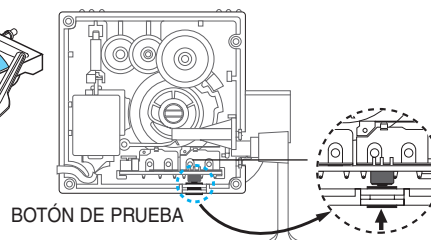
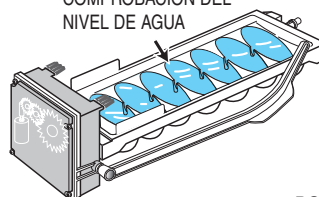
Compruebe la cantidad de agua (vea el dibujo abajo).

Si el nivel del agua es demasiado bajo, los cubitos de hielo serán pequeños.

Esto no es un problema del componente para hacer hielo sino de la presión del agua en la tubería y ocurre con frecuencia.

Cuando le ocurra este problema, póngase en contacto con su servicio técnico para que compruebe la cantidad de agua que le llega.

COMPROBACIÓN DEL NIVEL DE AGUA



SOLUCIÓN DE PROBLEMAS

El frigorífico no funciona o no enfría lo suficiente.

- Compruebe que el enchufe de alimentación esté conectado correctamente.
- ¿Está establecido a la temperatura correcta el control de temperatura en la pantalla? Pruebe a ajustarlo a una temperatura más baja.
- ¿Está expuesto el frigorífico a la luz directa del sol o ubicado cerca de una fuente de calor?
- ¿Está la parte posterior del frigorífico demasiado cerca de la pared?

Los alimentos se congelan en el frigorífico.

- ¿Está establecido a la temperatura correcta el control de temperatura en la pantalla? Pruebe a ajustarlo a una temperatura más alta.
- ¿Es demasiado baja la temperatura de la habitación?
- ¿Ha almacenado alimentos con un alto contenido de agua en la parte más fría del frigorífico?

Se oye un ruido raro.

- Compruebe que el suelo está nivelado y es estable.
- ¿Está la parte posterior del frigorífico demasiado cerca de la pared?
- ¿Hay algún objeto detrás o debajo del frigorífico?
- Se puede oír un ruido como de "tic" dentro del frigorífico, es algo normal. Ocurre cuando algunos accesorios se expanden o contraen.

Las esquinas frontales y los laterales de la caja están calientes; se produce condensación.

- En las esquinas frontales del frigorífico hay unos anticondensantes para evitar que se forme condensación.
- La condensación se puede producir cuando deja la

puerta abierta durante bastante tiempo.

No dispensa hielo.

- Ha detenido la producción de hielo?
- Hay algo de hielo en el compartimento?
- Está conectado el tubo de agua y abierta la válvula de cierre?
- Es demasiado alta la temperatura del congelador? (Ajústelo a una temperatura más baja).
- Ha esperado 12 horas después de instalar el conducto de la toma de agua antes de hacer hielo?

Se oye un ruido en el frigorífico como de movimiento de agua.

- El sonido del agua proviene del refrigerante que circula por el frigorífico y es algo normal.

Dentro del frigorífico hay mal olor.

- Envuelva los alimentos que contengan olores fuertes de forma que queden herméticos.
Tire la comida que se haya pasado.

En las paredes del congelador se forma hielo.

- Está bloqueado el conducto de ventilación del aire?
- Deje suficiente espacio entre los alimentos almacenados para que circule bien el aire.
- Está la puerta completamente cerrada?

No llega agua.

- Está conectado el tubo de agua y abierta la válvula de cierre?
- Está aplastado el tubo de suministro de agua?
- Está helado el depósito de agua porque la temperatura del frigorífico es demasiado baja? Seleccione un valor más caliente en el panel del visor.

FRIGORÍFICO SAMSUNG (capacidades de 480 litros y superiores)

Garantía Limitada Comprador Original

Este producto de la marca SAMSUNG, suministrado y distribuido por Samsung Electronics America, Inc. (SAMSUNG) y entregado nuevo, en el embalaje original al comprador consumidor original, está garantizado por SAMSUNG contra defectos de fabricación de materiales y mano de obra por un período limitado de garantía de:

Un (1) año en piezas y mano de obra del frigorífico
Cinco (5) años en piezas y mano de obra sólo del sistema de refrigeración hermético*
 (*Compresor, evaporador, condensador, secador y tubos de conexión)

Esta garantía limitada empieza la fecha de compra original y sólo es válida para productos adquiridos y usados en Estados Unidos. Para recibir servicio en garantía, el comprador debe ponerse en contacto con SAMSUNG para determinar el problema y establecer el procedimiento de servicio. El servicio en garantía solo puede realizarlo un centro de servicio autorizado de SAMSUNG. Como prueba de compra deberá presentarse a SAMSUNG o su centro de servicio autorizado la factura original con fecha.

SAMSUNG reparará o sustituirá sin cargo, según su criterio, cualquier pieza defectuosa tal como aquí se establece, por piezas nuevas o reacondicionadas, durante el período de garantía limitada antes indicado. Todos los productos y piezas sustituidos pasarán a ser propiedad de SAMSUNG y deberán ser devueltos a SAMSUNG. Los productos y piezas de repuesto disfrutarán de la garantía original restante o de noventa (90) días de garantía, lo que sea más largo.

El servicio a domicilio se realizará durante el período de garantía de mano de obra y sujeto a la disponibilidad en los Estados Unidos contiguos. El servicio a domicilio no está disponible en todas las zonas. Para recibir servicio a domicilio el producto debe estar libre de obstáculos y ser accesible desde el suelo al personal de servicio. Si durante el servicio a domicilio no puede terminarse la reparación, puede ser necesario retirar, reparar y devolver el producto. Si no está disponible el servicio a domicilio, SAMSUNG puede optar por ofrecer un transporte de su elección hasta el centro de servicio autorizado de SAMSUNG. En caso contrario, el transporte hasta el centro de servicio autorizado de SAMSUNG y desde e mismo es responsabilidad del comprador.

La garantía limitada cubre los defectos de fabricación en materiales y mano de obra encontrados por un uso normal, no comercial, de este producto y no será aplicable en los casos incluidos a continuación, aunque sin estar limitado a ellos: daños sucedidos durante el envío, la entrega e instalación; aplicaciones y usos no previstos del producto; productos o números de serie alterados; daños estéticos o del acabado exterior; accidentes, abuso, negligencia, incendio, inundación, rayos u otras causas naturales; uso de productos, equipos, sistemas, aparatos, servicios, piezas, suministros, accesorios, aplicaciones, instalaciones, reparaciones, fontanería y fugas externas, cableado externo, disruptores, fusibles o conectores no suministrados o autorizados por SAMSUNG, o que dañen este producto o provoquen problemas de servicio; voltaje incorrecto de la línea eléctrica, fluctuaciones y sobretensiones; ajustes del cliente e incumplimiento de las instrucciones de funcionamiento, limpieza, mantenimiento e instrucciones ambientales abarcadas y prescritas en el libro de instrucciones; pérdida de comida por deterioro; elementos consumibles incluidos filtros y bombillas.

NO SE OFRECE NINGUNA GARANTÍA EXPLÍCITA DISTINTA DE LAS AQUÍ ENUMERADAS Y EXPLICADAS, NI NINGUNA GARANTÍA EXPLÍCITA NI IMPLÍCITA, INCLUIDAS SIN LIMITARSE A ELLAS, DE COMERCIALIZACIÓN O ADECUACIÓN A UN OBJETO DETERMINADO SERÁ APLICABLE DESPUÉS DE LOS PERÍODOS DE GARANTÍA ANTES INDICADOS, Y NINGUNA OTRA GARANTÍA EXPLÍCITA NI GARANTÍA OFRECIDA POR NINGUNA PERSONA, EMPRESA O CORPORACIÓN EN RELACIÓN A ESTE PRODUCTO SERÁ VINCULANTE PARA SAMSUNG. SAMSUNG NO SERÁ RESPONSABLE POR PÉRDIDAS DE INGRESOS O BENEFICIOS, INCAPACIDAD DE CONSEGUIR AHORROS U OTROS BENEFICIOS, NI DE NINGÚN OTRO DAÑO ESPECIAL, ACCIDENTAL O CAUSAL PROVOCADO POR EL USO, MAL USO O INEPTITUD PARA EL USO DE ESTE PRODUCTO, CON INDEPENDENCIA DE LA HIPÓTESIS LEGAL EN LA QUE SE BASE LA RECLAMACIÓN E INCLUSO SI SAMSUNG HA SIDO ADVERTIDA DE LA POSIBILIDAD DE DICHOS PERJUICIOS. TAMPOCO NINGUNA DEVOLUCIÓN DE NINGÚN TIPO CONTRA SAMSUNG SERÁ DE MAYOR CUANTÍA QUE EL PRECIO DE COMPRA DEL PRODUCTO VENDIDO POR SAMSUNG Y CAUSANTE DEL PERJUICIO ALEGADO. SIN LIMITAR PRECEDENTE, EL COMPRADOR ASUME TODOS LOS RIESGOS Y RESPONSABILIDADES POR PÉRDIDAS, DAÑOS O LESIONES AL COMPRADOR Y SUS PROPIEDADES, ASÍ COMO A TERCEROS Y SUS PROPIEDADES, DERIVADOS DEL USO, MAL USO O INEPTITUD PARA EL USO DE ESTE PRODUCTO VENDIDO POR SAMSUNG Y NO CAUSADOS DIRECTAMENTE A UNA NEGLIGENCIA DE SAMSUNG. ESTA GARANTÍA LIMITADA NO SE EXTENDERÁ A NADIE DISTINTO DEL COMPRADOR ORIGINAL DE ESTE PRODUCTO, ES INTRANSFERIBLE Y ESTABLECE SU RECURSO EXCLUSIVO.

Algunos estados no permiten limitaciones a la duración de una garantía implícita ni la exclusión o limitación de los daños casuales o causales, por lo que las anteriores limitaciones o exclusiones pueden no serle aplicables. Esta garantía le otorga derechos legales concretos, y usted puede tener también otros derechos, que diferirán de un estado a otro.

Para obtener servicio en garantía, póngase en contacto con SAMSUNG en:

SAMSUNG CUSTOMER CARE CENTER
 Samsung Electronics America, Inc.
 105 Challenger Road Ridgely Park NJ 07660-0511
1-800-SAMSUNG (1-800-726-7864) y www.SAMSUNG.com

061002

NOTAS



Si tiene alguna pregunta o comentario referente a nuestros productos,
por favor contacte con nuestro Servicio de Atención al Cliente
Samsung Electronics America, Inc.
105 Challenger Road Ridgefield Park, NJ 07660-0511
1-800-SAMSUNG (1-800-726-7864)
www.samsung.com



Free Manuals Download Website

<http://myh66.com>

<http://usermanuals.us>

<http://www.somanuals.com>

<http://www.4manuals.cc>

<http://www.manual-lib.com>

<http://www.404manual.com>

<http://www.luxmanual.com>

<http://aubethermostatmanual.com>

Golf course search by state

<http://golfingnear.com>

Email search by domain

<http://emailbydomain.com>

Auto manuals search

<http://auto.somanuals.com>

TV manuals search

<http://tv.somanuals.com>