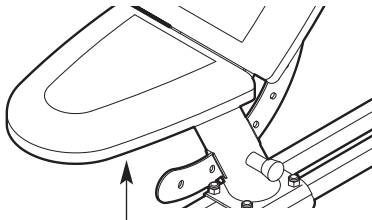


Model No. RBBE0787.2

Serial No. \_\_\_\_\_

Write the serial number in the space above for future reference.



Serial Number Decal (under seat)

## QUESTIONS?

As a manufacturer, we are committed to providing complete customer satisfaction. If you have questions, or if parts are missing, **PLEASE DO NOT CONTACT THE STORE; please contact Customer Care.**

**IMPORTANT:** You must note the product model number and serial number (see the drawing above) before contacting us:

CALL TOLL-FREE:

**1-877-994-4999**

Mon.–Fri. 6 a.m.–6 p.m. MST

Sat. 8 a.m.–4 p.m. MST

ON THE WEB:

[www.reebokservice.com](http://www.reebokservice.com)

## CAUTION

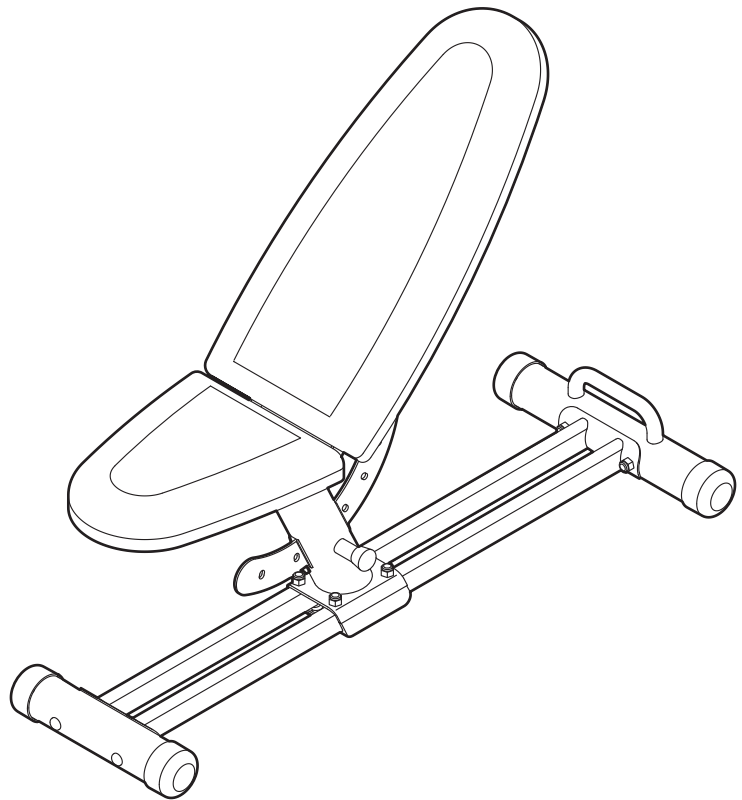
Read all precautions and instructions in this manual before using this equipment. Save this manual for future reference.

# Reebok

# TO NE

# TRAINER

## USER'S MANUAL



Visit our website at

[www.reebokhomefitness.com](http://www.reebokhomefitness.com)

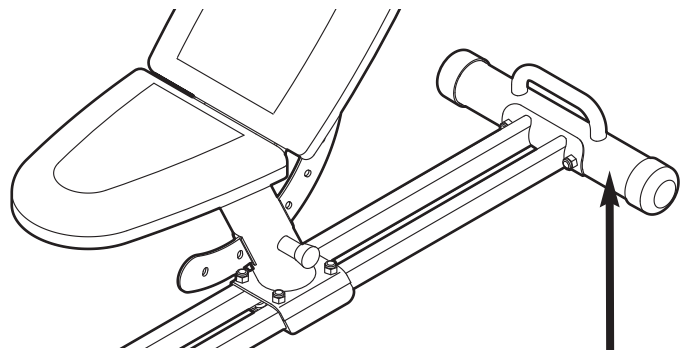
new products, prizes,  
fitness tips, and much more!

# TABLE OF CONTENTS

WARNING DECAL PLACEMENT .....	2
IMPORTANT PRECAUTIONS .....	3
BEFORE YOU BEGIN .....	4
PART IDENTIFICATION CHART .....	5
ASSEMBLY .....	6
ADJUSTMENT .....	10
EXERCISE GUIDELINES .....	11
PART LIST .....	14
EXPLODED DRAWING .....	15
ORDERING REPLACEMENT PARTS .....	Back Cover
LIMITED WARRANTY .....	Back Cover

## WARNING DECAL PLACEMENT

The decals shown here have been applied in the locations shown. **If a decal is missing or illegible, call the telephone number on the front cover of this manual and request a free replacement decal. Apply the decal in the location shown.** Note: The decals may not be shown at actual size.



**▲ WARNING**

- Misuse of this machine may result in serious injury.
- Read user's manual prior to use and follow all warnings and instructions.
- Do not allow children on or around machine.
- Keep body, clothing, and hair free and clear of all moving parts.
- Replace label if damaged, illegible, or removed.

# IMPORTANT PRECAUTIONS

**⚠️ WARNING:** To reduce the risk of serious injury, read all important precautions and instructions in this manual and all warnings on the weight bench before using the weight bench. ICON assumes no responsibility for personal injury or property damage sustained by or through the use of this product.

1. Before beginning any exercise program, consult your physician. This is especially important for persons over the age of 35 or persons with pre-existing health problems.
2. Use the weight bench only as described in this manual.
3. It is the responsibility of the owner to ensure that all users of the weight bench are adequately informed of all precautions.
4. The weight bench is intended for home use only. Do not use the weight bench in any commercial, rental, or institutional setting.
5. Keep the weight bench indoors, away from moisture and dust. Place the weight bench on a level surface, with a mat beneath it to protect the floor or carpet. Make sure that there is enough clearance around the weight bench to mount, dismount, and use it.
6. Inspect and properly tighten all parts regularly. Replace any worn parts immediately.
7. Keep children under age 12 and pets away from the weight bench at all times.
8. Keep hands and feet away from moving parts.
9. Wear appropriate clothes while exercising. Always wear athletic shoes for foot protection while exercising.
10. The weight bench is designed to support a maximum user weight of 300 lbs. (133 kg), and a maximum total weight of 410 lbs. (186 kg).
11. If you feel pain or dizziness while exercising, stop immediately and cool down.

# BEFORE YOU BEGIN

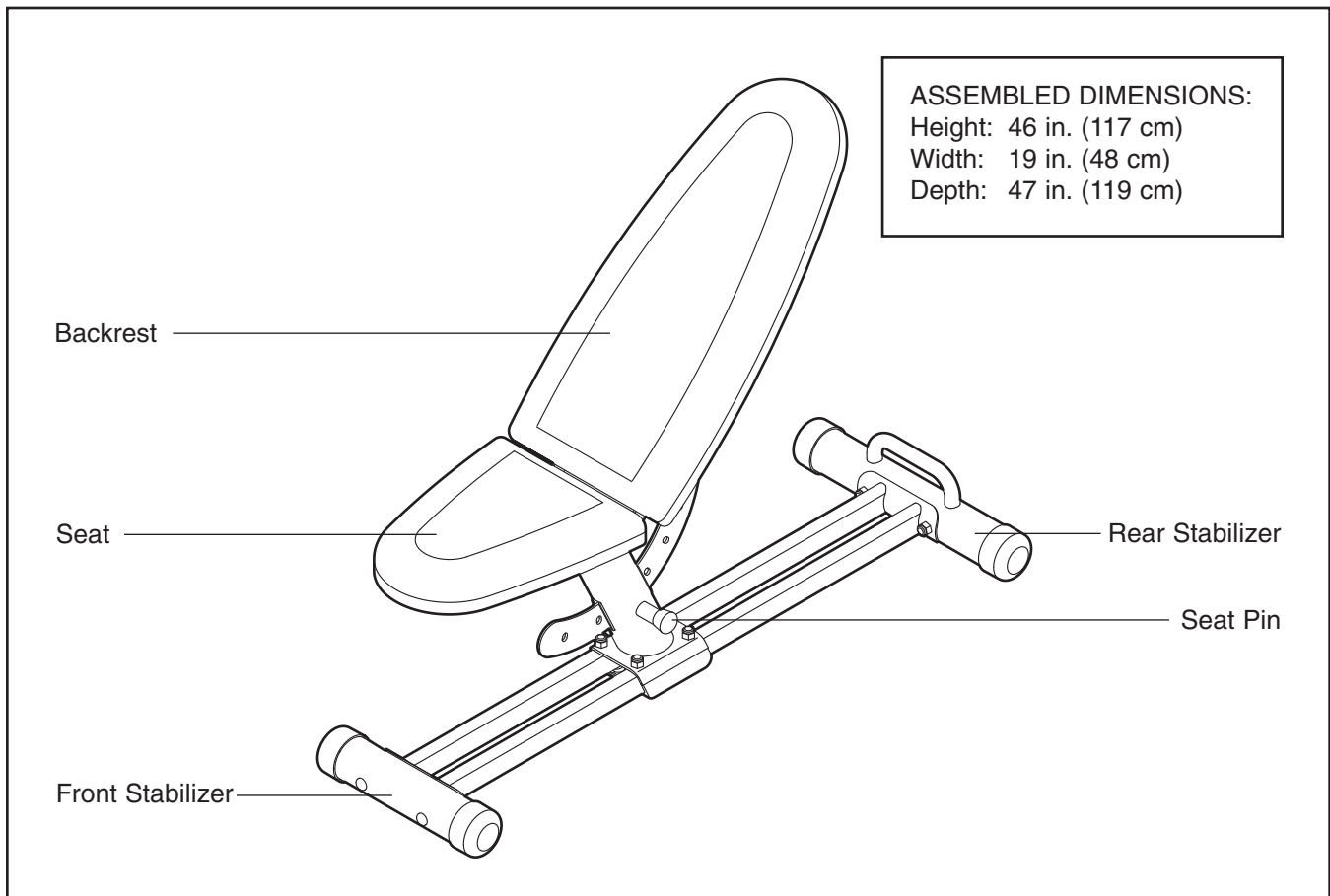
Thank you for selecting the versatile REEBOK® TONE TRAINER weight bench. The weight bench is designed to help develop the major muscle groups of the upper body. Whether your goal is to tone your body, build dramatic muscle size and strength, or improve your cardiovascular system, the weight bench will help you to achieve the specific results you want.

**For your benefit, read this manual carefully before using the weight bench.** If you have questions after reading this manual, please see the front cover of this manual. To help us assist you, note the product model

number and serial number before contacting us. The model number and the location of the serial number decal are shown on the front cover of this manual.

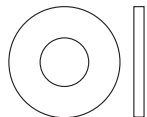
**To avoid a registration fee for any service needed under warranty, you must register the weight bench at [www.reebokservice.com/registration](http://www.reebokservice.com/registration).**

Before reading further, please review the drawing below and familiarize yourself with the parts that are labeled.

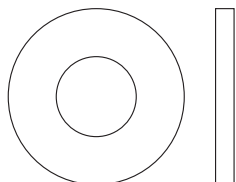


# PART IDENTIFICATION CHART

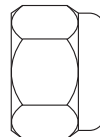
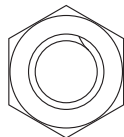
See the drawings below to identify small parts used in assembly. The number in parentheses by each drawing is the key number of the part, from the PART LIST near the end of this manual. **Important: Some small parts may have been preattached. If a part is not in the hardware kit, check to see if it has been preattached.**



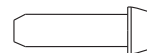
M6 Washer (26)



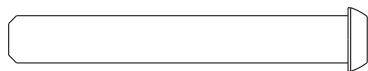
M10 Washer (14)



M10 Nylon Locknut (13)



M4 x 15mm  
Screw (20)



M6 x 45mm Button Screw (17)



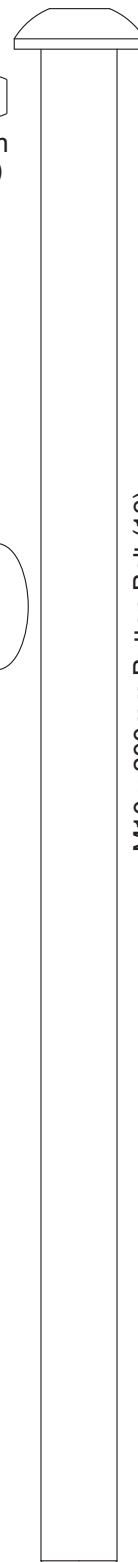
M10 x 75mm Button Bolt (16)



M10 x 50mm Button Bolt (18)



M10 x 90mm Carriage Bolt (15)



M10 x 200mm Button Bolt (19)


# ASSEMBLY

## Make Things Easier for Yourself

Everything in this manual is designed to ensure that the weight bench can be assembled successfully by almost anyone. By setting aside plenty of time, assembly will go smoothly.

Before beginning assembly, carefully read the following information and instructions:

- To hire an authorized service technician to assemble the weight bench, call 1-800-445-2480.
- Assembly requires two persons.
- Because of its size, the weight bench should be assembled in the location where it will be used. Make sure that there is enough clearance to walk around the weight bench as you assemble it.
- Place all parts in a cleared area and remove the packing materials. Do not dispose of the packing materials until assembly is completed.

- For help identifying small parts, use the PART IDENTIFICATION CHART on page 5.
- As you assemble the weight bench, make sure all parts are oriented as shown in the drawings.
- Tighten all parts as you assemble them, unless instructed to do otherwise.
- Assembly requires the included hex key(s)  and the following tools (not included):

two adjustable wrenches 

one standard screwdriver 

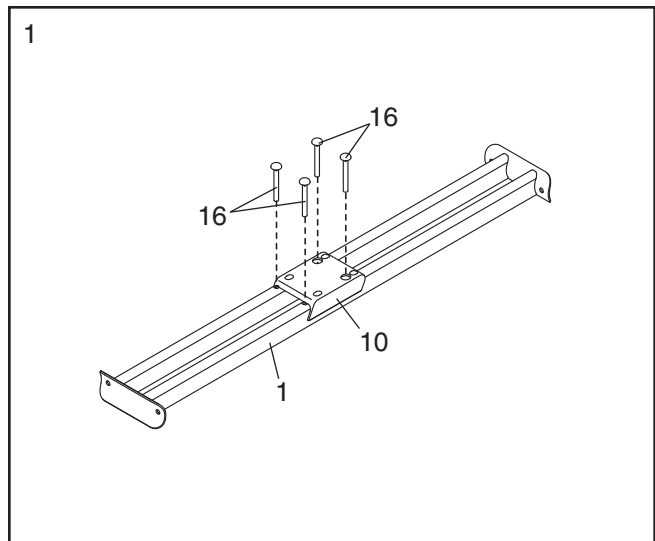
one Phillips screwdriver 

Assembly may be more convenient if you have a socket set, a set of open-end or closed-end wrenches, or a set of ratchet wrenches.

1.

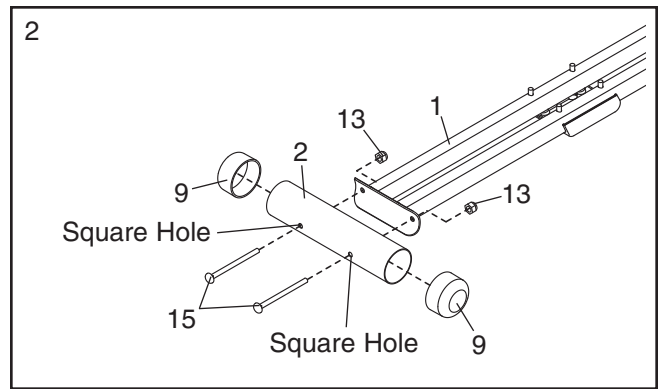
**Before beginning assembly, make sure that you have read and understand the information in the box above.**

Orient the Bench Frame (1) as shown. Insert two M10 x 75mm Button Bolts (16) through the indicated holes in the Frame Bracket (10). Next, insert two M10 x 75mm Button Bolts through the indicated holes in the Bench Frame. Place a piece of tape over each Button Bolt to hold it in place.



2. Orient the Bench Frame (1) as shown. Orient the Front Stabilizer (2) with the square holes in the location shown.

Press two Stabilizer Caps (9) onto the Front Stabilizer (2). Attach the Front Stabilizer to the Bench Frame (1) with two M10 x 90mm Carriage Bolts (15) and two M10 Nylon Locknuts (13). **Do not tighten the Nylon Locknuts yet.**

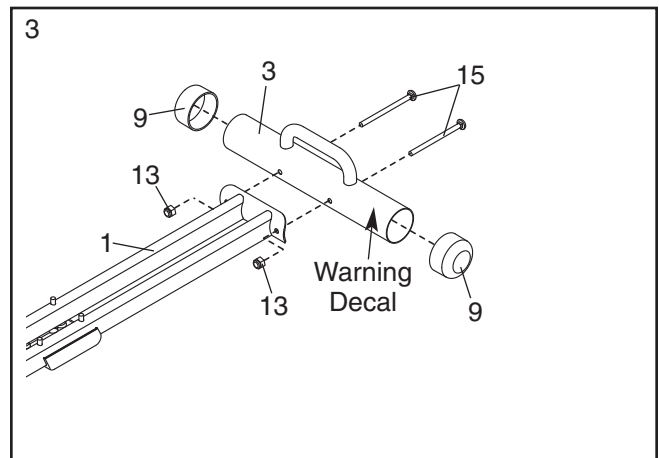


3. Orient the Rear Stabilizer (3) with the warning decal on the indicated side. Press two Stabilizer Caps (9) onto the Rear Stabilizer.

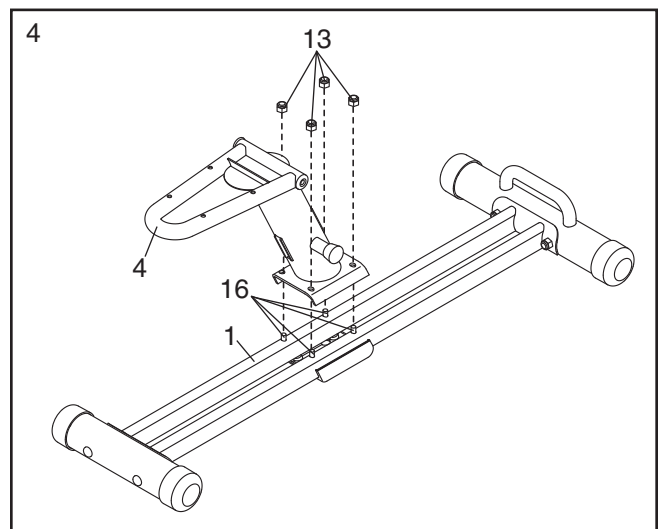
Attach the Rear Stabilizer (3) to the Bench Frame (1) with two M10 x 90mm Carriage Bolts (15) and two M10 Nylon Locknuts (13). **Do not tighten the Nylon Locknuts yet.**

Make sure the Bench Frame (1) and the Front and Rear Stabilizers (2, 3) are level with the floor.

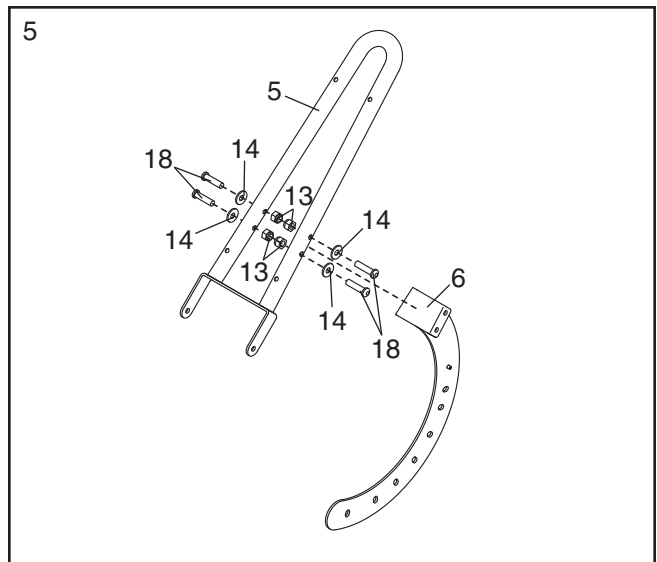
**See steps 2 and 3.** Tighten the M10 Nylon Locknuts (13) used in step 2 and 3.



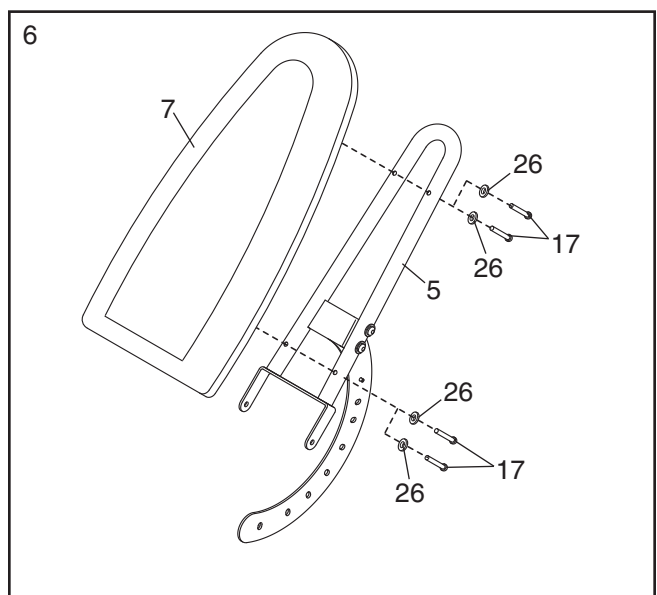
4. Attach the Seat Frame (4) to the Bench Frame (1) with the four indicated M10 x 75mm Button Bolts (16) and four M10 Nylon Locknuts (13). **Note: It will be necessary to tip the weight bench on its side to tighten the Nylon Locknuts.**



5. Attach the Adjustment Arm (6) to the Backrest Frame (5) with four M10 x 50mm Button Bolts (18), four M10 Washers (14), and four M10 Nylon Locknuts (13). **Do not overtighten the Nylon Locknuts.**



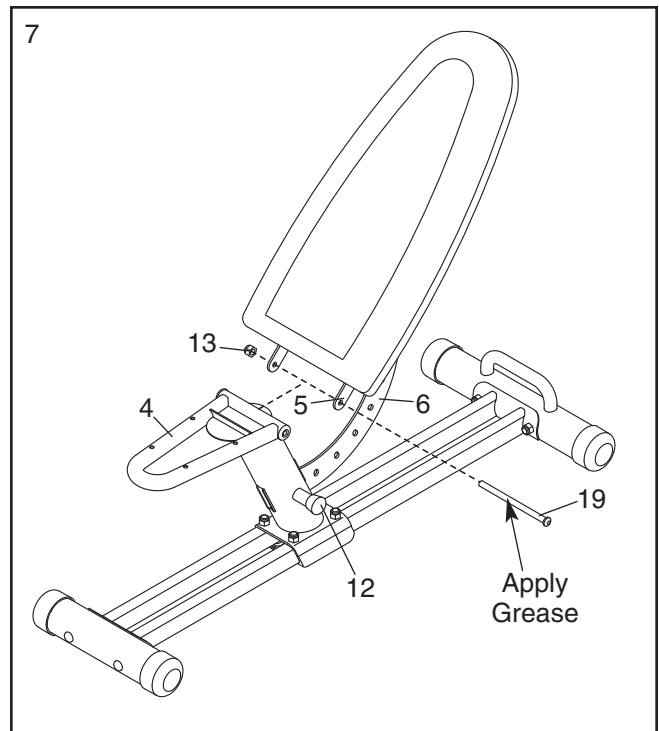
6. Attach the Backrest (7) to the Backrest Frame (5) with four M6 x 45mm Button Screws (17) and four M6 Washers (26).



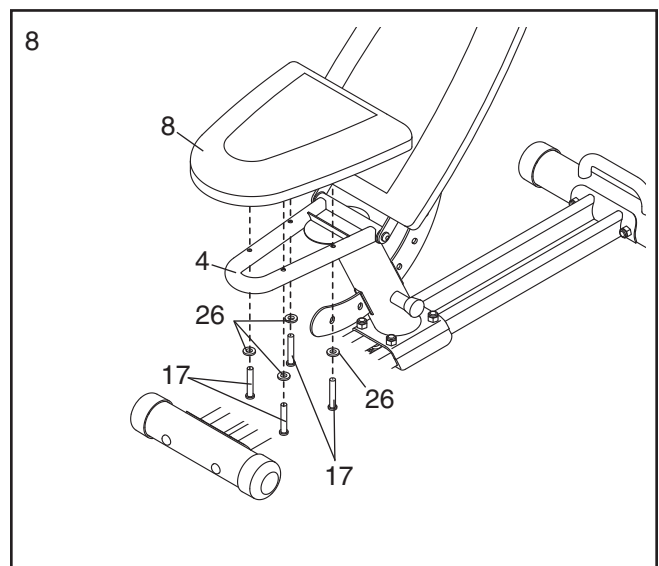


7. Apply a small amount of the included grease to an M10 x 200mm Button Bolt (19). While pulling the Seat Pin (12), insert the Adjustment Arm (6) into the Seat Frame (4). Then, release the Seat Pin.

Attach the Backrest Frame (5) to the Seat Frame (4) with the M10 x 200mm Button Bolt (19) and an M10 Nylon Locknut (13).



8. Attach the Seat (8) to the Seat Frame (4) with four M6 x 45mm Button Screws (17) and four M6 Washers (26).



9. **Make sure that all parts are properly tightened before using the weight bench.**

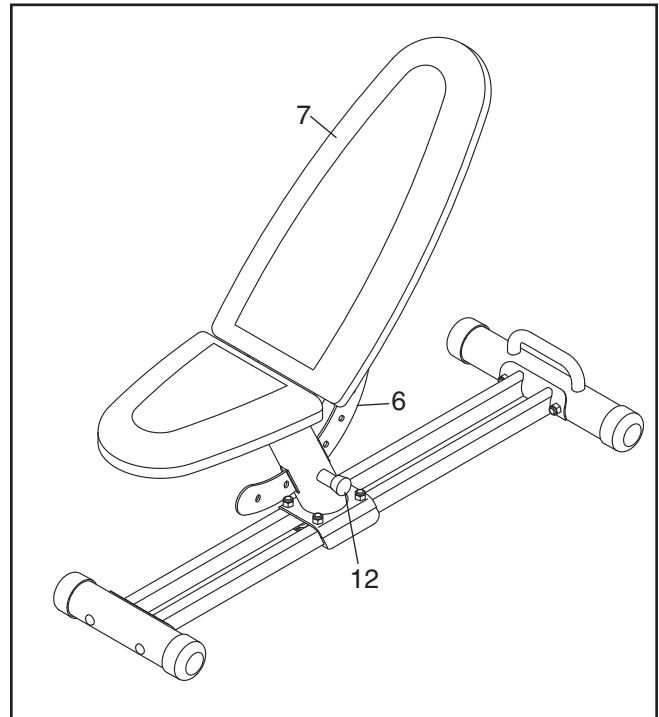
# ADJUSTMENT

This section explains how to adjust the weight bench. See the EXERCISE GUIDELINES on page 11 for important information about how to get the most benefit from your exercise program. Also, refer to the accompanying exercise guide to see the correct form for each exercise.

Make sure all parts are properly tightened each time the weight bench is used. Replace any worn parts immediately. The weight bench can be cleaned with a damp cloth and a mild, non-abrasive detergent; **do not use solvents to clean the weight bench.**

## ADJUSTING THE BACKREST

The Backrest (7) can be used in several positions. To move the Backrest, pull the Seat Pin (12), move the Backrest to the desired position, and then release the Seat Pin. **Make sure the Seat Pin is inserted through a hole on the Adjustment Arm (6).**



---

# EXERCISE GUIDELINES

## THE FOUR BASIC TYPES OF WORKOUTS

### Muscle Building

To increase the size and strength of your muscles, push them close to their maximum capacity. Your muscles will continually adapt and grow as you progressively increase the intensity of your exercise. You can adjust the intensity level of an individual exercise in two ways:

- by changing the amount of resistance used
- by changing the number of repetitions or sets performed. (A “repetition” is one complete cycle of an exercise, such as one sit-up. A “set” is a series of repetitions.)

The proper amount of resistance for each exercise depends upon the individual user. You must gauge your limits and select the amount of resistance that is right for you. Begin with 3 sets of 8 repetitions for each exercise you perform. Rest for 3 minutes after each set. When you can complete 3 sets of 12 repetitions without difficulty, increase the amount of resistance.

### Toning

You can tone your muscles by pushing them to a moderate percentage of their capacity. Select a moderate amount of resistance and increase the number of repetitions in each set. Complete as many sets of 15 to 20 repetitions as possible without discomfort. Rest for 1 minute after each set. Work your muscles by completing more sets rather than by using high amounts of resistance.

### Weight Loss

To lose weight, use a low amount of resistance and increase the number of repetitions in each set. Exercise for 20 to 30 minutes, resting for a maximum of 30 seconds between sets.

### Cross Training

Cross training is an efficient way to get a complete and well-balanced fitness program. An example of a balanced program follows:

- Plan strength training workouts on Monday, Wednesday, and Friday.
- Plan 20 to 30 minutes of aerobic exercise, such as running on a treadmill or riding on an elliptical exerciser or exercise cycle, on Tuesday and Thursday.
- Rest from both strength training and aerobic exercise for at least one full day each week to give your body time to regenerate.

The combination of strength training and aerobic exercise will reshape and strengthen your body, plus develop your heart and lungs.

## PERSONALIZING YOUR EXERCISE PROGRAM

Determining the appropriate length of time for each workout, and the numbers of repetitions and sets to complete, is an individual matter. Avoid overdoing it during the first few months of your exercise program. Progress at your own pace and be sensitive to your body’s signals. If you experience pain or dizziness while exercising, stop immediately and cool down. Find out what is wrong before continuing. Remember that adequate rest and a proper diet are important factors in any exercise program.

### WARMING UP

Begin each workout with 5 to 10 minutes of stretching and light exercise to warm up. Warming up prepares your body for more strenuous exercise by increasing circulation, raising your body temperature and delivering more oxygen to your muscles.

### WORKING OUT

Each workout should include 6 to 10 different exercises. Select exercises for every major muscle group, emphasizing areas that you want to develop most. To give balance and variety to your workouts, vary the exercises from workout to workout.

Schedule your workouts for the time of day when your energy level is the highest. Each workout should be followed by at least one day of rest. Once you find the schedule that is right for you, stick with it.

### EXERCISE FORM

Maintaining proper form is an essential part of an effective exercise program. This requires moving through the full range of motion for each exercise, and moving only the appropriate parts of the body. Exercising in an uncontrolled manner will leave you feeling exhausted. On the exercise guide accompanying this manual you will find photographs showing the correct form for several exercises, and a list of the muscles affected. See the muscle chart on the next page to find the names of the muscles.

Perform the repetitions in each set smoothly and without pausing. The exertion stage of each repetition should last about half as long as the return stage. Proper breathing is important; exhale during the exertion stage of each repetition and inhale during the return stroke. Never hold your breath.

Rest for a short period of time after each set as follows:

- Rest for three minutes after each set for a muscle-building workout.
- Rest for one minute after each set for a toning workout.
- Rest for 30 seconds after each set for a weight loss workout.

Plan to spend the first couple of weeks familiarizing yourself with the equipment and learning the proper form for each exercise.

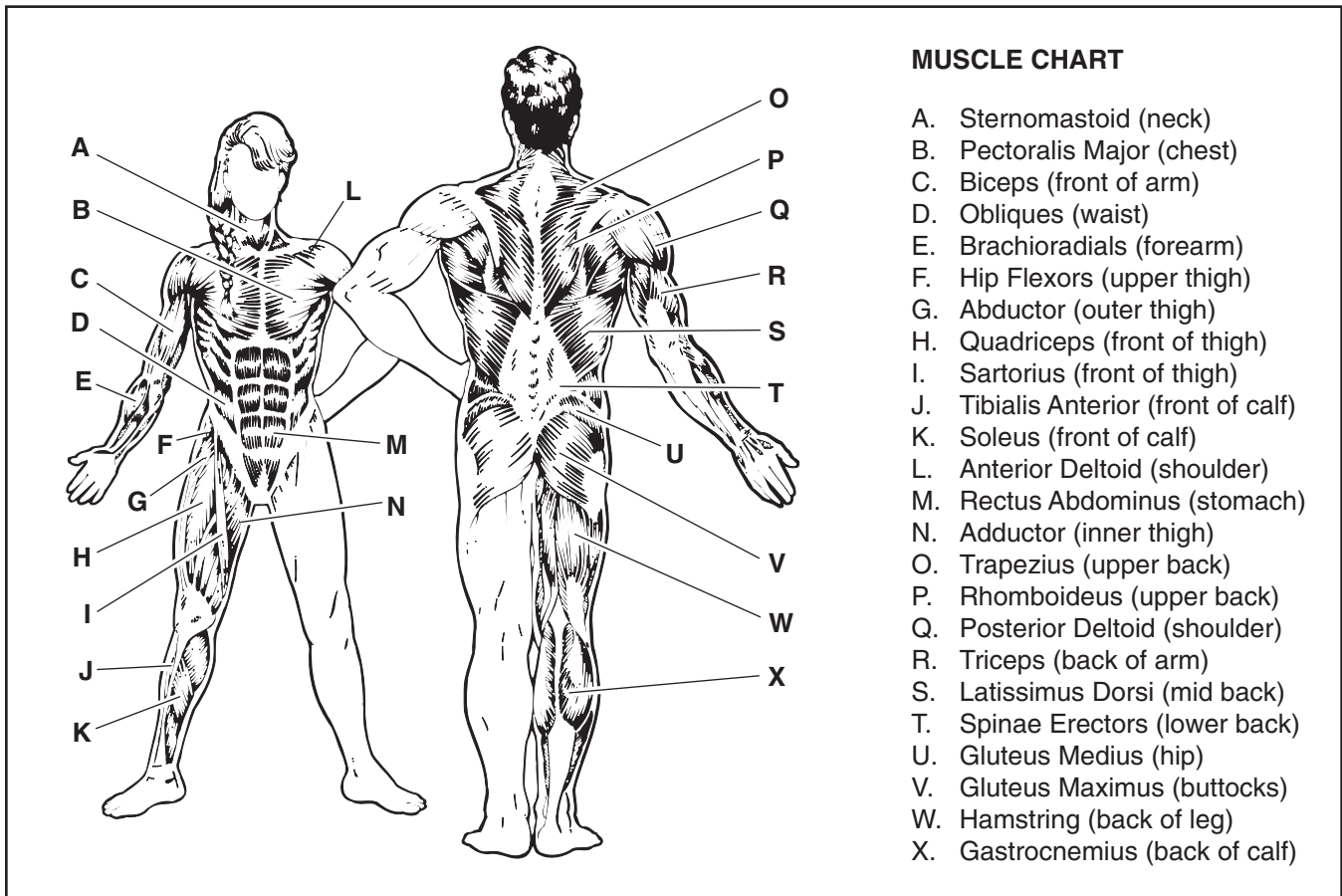
### COOLING DOWN

End each workout with 5 to 10 minutes of stretching. Include stretches for both your arms and legs. Move

slowly as you stretch and do not bounce. Ease into each stretch gradually and go only as far as you can without strain. Stretching at the end of each workout is an effective way to increase flexibility.

### STAYING MOTIVATED

For motivation, keep a record of each workout. List the date, the exercises performed, the resistance used, and the numbers of sets and repetitions completed. Record your weight and key body measurements at the end of every month. Remember, the key to achieving the greatest results is to make exercise a regular and enjoyable part of your everyday life.



<b>MONDAY</b> Date: _____ / ____ / ____	<b>EXERCISE</b>	<b>WEIGHT</b>	<b>SETS</b>	<b>REPS</b>

---

**TUESDAY      AEROBIC EXERCISE**  
 Date: \_\_\_\_\_ / \_\_\_\_ / \_\_\_\_

<b>WEDNESDAY</b> Date: _____ / ____ / ____	<b>EXERCISE</b>	<b>WEIGHT</b>	<b>SETS</b>	<b>REPS</b>

---

**THURSDAY      AEROBIC EXERCISE**  
 Date: \_\_\_\_\_ / \_\_\_\_ / \_\_\_\_

<b>FRIDAY</b> Date: _____ / ____ / ____	<b>EXERCISE</b>	<b>WEIGHT</b>	<b>SETS</b>	<b>REPS</b>

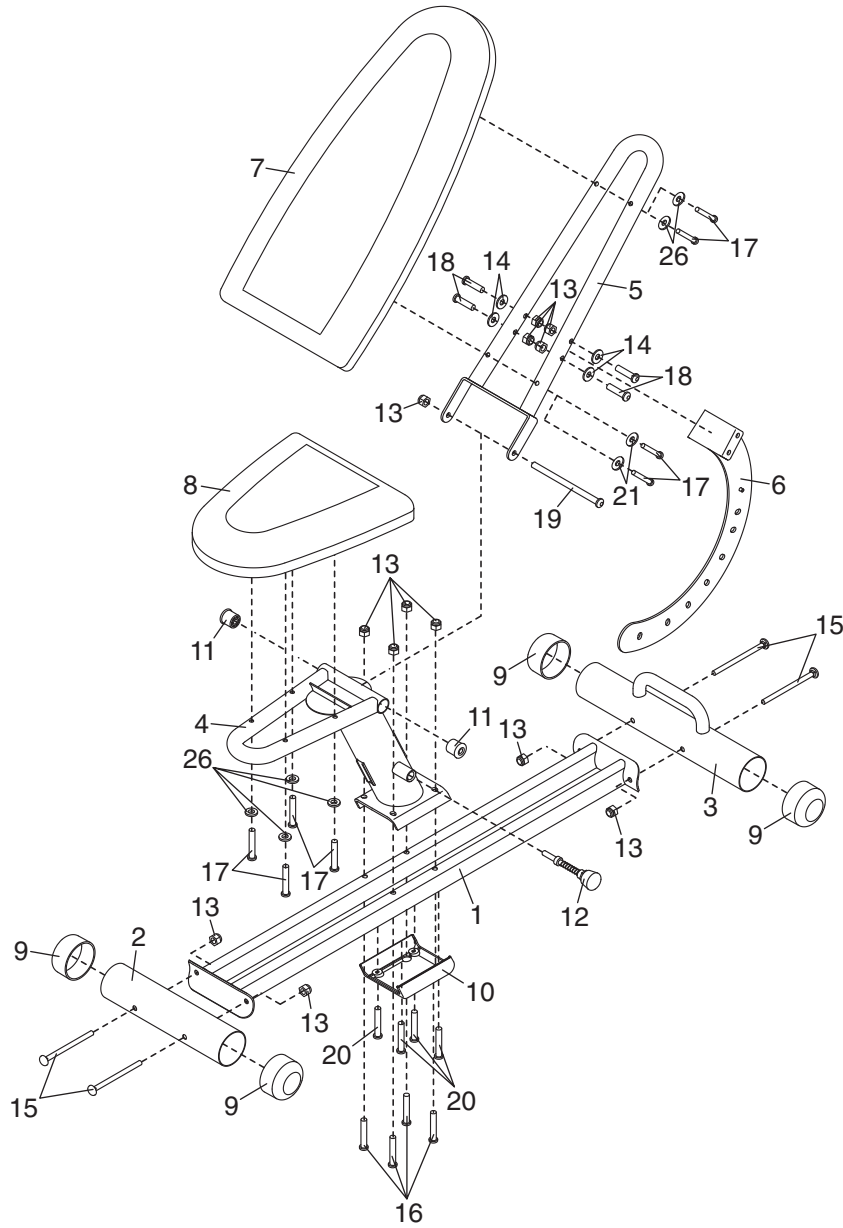
Make photocopies of this page for scheduling and recording your workouts.

# PART LIST—Model No. RBBE0787.2

R1207A

Key No.	Qty.	Description	Key No.	Qty.	Description
1	1	Bench Frame	14	4	M10 Washer
2	1	Front Stabilizer	15	4	M10 x 90mm Carriage Bolt
3	1	Rear Stabilizer	16	4	M10 x 75mm Button Bolt
4	1	Seat Frame	17	8	M6 x 45mm Button Screw
5	1	Backrest Frame	18	4	M10 x 50mm Button Bolt
6	1	Adjustment Arm	19	1	M10 x 200mm Button Bolt
7	1	Backrest	20	4	M4 x 15mm Screw
8	1	Seat	21	8	M6 Washer
9	4	Stabilizer Cap	*	—	User's Manual
10	1	Frame Bracket	*	—	Exercise Guide
11	2	Bushing	*	—	Hex Key
12	1	Seat Pin	*	—	Grease Packet
13	13	M10 Nylon Locknut			

Note: Specifications are subject to change without notice. See the back cover of this manual for information about ordering replacement parts. \*These parts are not illustrated.



---

# ORDERING REPLACEMENT PARTS

To order replacement parts, please see the front cover of this manual. To help us assist you, be prepared to provide the following information when contacting us:

- the model number and serial number of the product (see the front cover of the manual)
- the name of the product (see the front cover of this manual)
- the key number and description of the part(s) (see the PART LIST and the EXPLODED DRAWING near the end of this manual)

## LIMITED WARRANTY

ICON Health & Fitness, Inc. (ICON) warrants this product to be free from defects in workmanship and material, under normal use and service conditions, for a period of ninety (90) days from the date of purchase. This warranty extends only to the original purchaser. ICON's obligation under this warranty is limited to replacing or repairing, at ICON's option, the product through one of its authorized service centers. All repairs for which warranty claims are made must be pre-authorized by ICON. If the product is shipped to a service center, freight charges to and from the service center will be the customer's responsibility. For in-home service, the customer will be responsible for a minimal trip charge. This warranty does not extend to any product or damage to a product caused by or attributable to freight damage, abuse, misuse, improper or abnormal usage or repairs not provided by an ICON authorized service center; products used for commercial or rental purposes; or products used as store display models. No other warranty beyond that specifically set forth above is authorized by ICON.

ICON is not responsible or liable for indirect, special or consequential damages arising out of or in connection with the use or performance of the product or damages with respect to any economic loss, loss of property, loss of revenues or profits, loss of enjoyment or use, costs of removal or installation or other consequential damages of whatsoever nature. Some states do not allow the exclusion or limitation of incidental or consequential damages. Accordingly, the above limitation may not apply to you.

The warranty extended hereunder is in lieu of any and all other warranties and any implied warranties of merchantability or fitness for a particular purpose is limited in its scope and duration to the terms set forth herein. Some states do not allow limitations on how long an implied warranty lasts. Accordingly, the above limitation may not apply to you.

This warranty gives you specific legal rights. You may also have other rights which vary from state to state.

**ICON HEALTH & FITNESS, INC., 1500 S. 1000 W., LOGAN, UT 84321-9813**



## Free Manuals Download Website

<http://myh66.com>

<http://usermanuals.us>

<http://www.somanuals.com>

<http://www.4manuals.cc>

<http://www.manual-lib.com>

<http://www.404manual.com>

<http://www.luxmanual.com>

<http://aubethermostatmanual.com>

Golf course search by state

<http://golfingnear.com>

Email search by domain

<http://emailbydomain.com>

Auto manuals search

<http://auto.somanuals.com>

TV manuals search

<http://tv.somanuals.com>