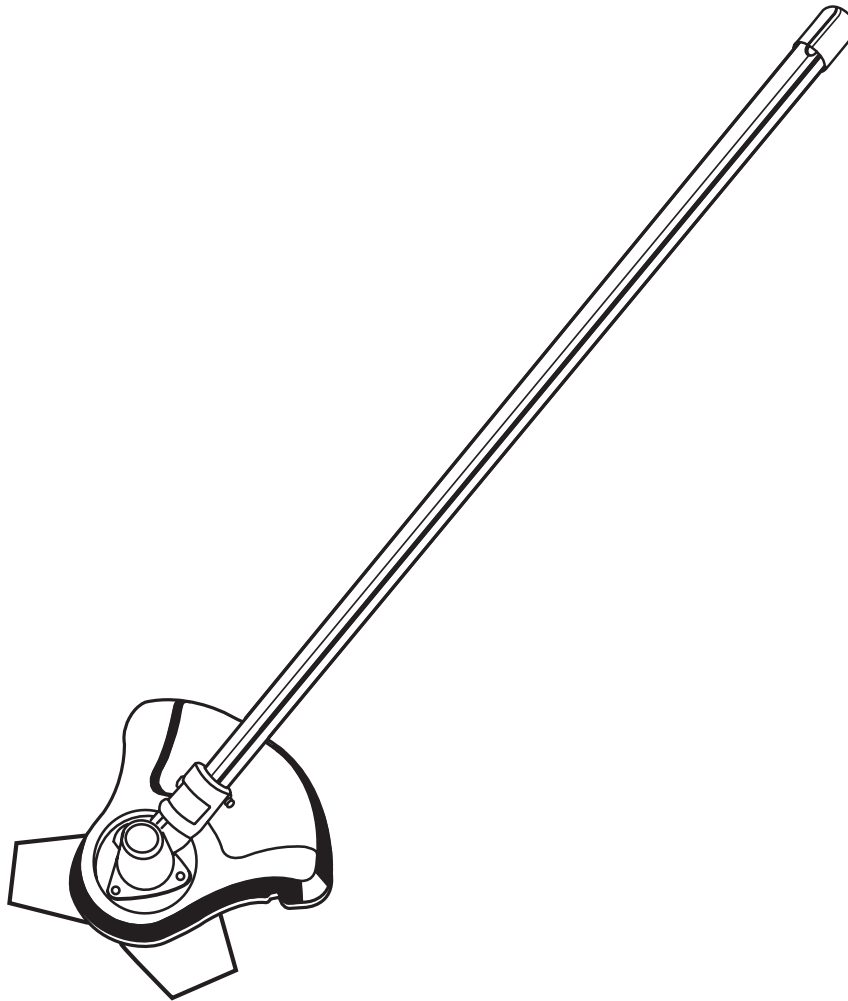


OPERATOR'S MANUAL

Expand-it™

Brushcutter Attachment

UT15702B



Your Expand-it™ Brushcutter Attachment has been engineered and manufactured to a high standard for dependability, ease of operation, and operator safety. Properly cared for, it will give you years of rugged, trouble-free performance.



WARNING: To reduce the risk of injury, the user must read and understand the operator's manual before using this product.

Thank you for buying an Expand-it™ Product.

SAVE THIS MANUAL FOR FUTURE REFERENCE

TABLE OF CONTENTS

| | |
|-------------------------------------|-----------|
| ■ Introduction..... | 2 |
| ■ General Safety Rules | 3 |
| ■ Specific Safety Rules..... | 4 |
| ■ Symbols | 4-5 |
| ■ Features | 6 |
| ■ Assembly | 6-8 |
| ■ Operation | 8-9 |
| ■ Maintenance | 10 |
| ■ Exploded View and Parts List..... | 11 |
| ■ Warranty..... | 12 |
| ■ Parts, Ordering, and Service..... | Back page |

INTRODUCTION

This product has many features for making its use more pleasant and enjoyable. Safety, performance, and dependability have been given top priority in the design of this product making it easy to maintain and operate.

GENERAL SAFETY RULES

WARNING:

Read and understand all instructions. Failure to follow all instructions listed below, may result in electric shock, fire, and/or serious personal injury.

SAVE THESE INSTRUCTIONS

- Read these instructions and the instructions for the power head thoroughly before using the straight shaft trimmer attachment.
- Know the tool. Read and understand the operator's manual and observe the warnings and instruction labels affixed to the tool.
- Do not allow children or untrained individuals to use this unit.
- Wear safety glasses or goggles that are marked to comply with ANSI Z87.1 standards and hearing protection when operating this unit.
- Wear heavy long pants, a long-sleeved shirt, boots, and gloves. Do not wear loose fitting clothing, short pants, jewelry of any kind, or go barefoot.
- Secure long hair so it is above shoulder level to prevent entanglement in any moving parts.
- Keep all bystanders, children, and pets at least 50 ft. away. Bystanders should be encouraged to wear eye protection.
- Stay alert, watch what you are doing, and use common sense when operating a power tool. Do not use tool while tired or under the influence of drugs, alcohol, or medication. A moment of inattention while operating power tools may result in serious personal injury.
- Do not operate in poor lighting.
- Do not overreach. Keep proper footing and balance at all times. Proper footing and balance enables better control of the tool in unexpected situations.
- Keep all parts of your body away from any moving part.
- When using the attachment on a power head with a gasoline engine, do not touch areas around the muffler or cylinder of the power head. These parts get hot from operation. Failure to heed this warning could result in possible serious personal injury.
- Always stop the engine and remove the spark plug wire or disconnect from power supply before making any adjustments or repairs except for carburetor adjustments.

- Inspect unit before each use for loose fasteners and damaged or missing parts. Correct before using the trimmer attachment. Failure to do so can cause serious injury.
- Use only original manufacturer's replacement parts. Failure to do so may cause poor performance, possible injury, and will void your warranty.
- Do not, under any circumstance, use any attachment or accessory on this product, which was not provided with the product, or identified as appropriate for use with this product in the operator's manual.
- Avoid dangerous environments. Do not use the attachment in damp or wet locations. Do not use in rain.
- Use the right attachment. Do not use attachment for any job except that for which it is intended.

SAFETY RULES WHEN ATTACHMENT IS ATTACHED TO AN ELECTRIC POWERHEAD

- When this attachment is being used with the electric string trimmer, refer to **Electrical Safety Rules** in the *VersaLite™ Electric String Trimmer Operator's Manual*.
- Make sure the cord is located so that it will not be stepped on, tripped over, or otherwise subjected to damage or stress. Keep cord clear of the working area.
- Do not abuse the power cord. Never carry the product by the cord. Never yank the plug out of the receptacle. Keep the cord away from heat, oil, and sharp edges.
- Inspect extension cords for deterioration, cuts, or cracks in the insulation. Repair or replace the cords if any defects appear.

WARNING:

Keep the extension cord clear of the working area. Position the cord so that it will not come in contact with the attachment when in use. Failure to do so can result in serious personal injury.

WARNING:







Check extension cords before each use. If damaged replace them immediately. Touching the damaged area could cause serious injury due to electrical shock.

SPECIFIC SAFETY RULES




- Ensure handle is mounted in accordance with the assembly instructions in this manual.
- Do not attach blade without proper installation of all required parts. Failure to use proper parts can cause the blade to fly off and seriously injure the operator and/or bystanders.
- Always use a blade in good condition. A worn blade is more likely to snag and thrust.
- After engine stops, keep rotating blade in thicker weeds or pulpy stalks until it stops.
- Do not operate the brushcutter unless the brushcutter guard is firmly secured in place and in good condition.
- Use heavy gloves when operating the brushcutter and when installing or removing blades.
- Always stop the engine and remove the spark plug wire before attempting to remove any obstruction caught or jammed in the blade or before removing and installing the blade.
- Do not attempt to touch or stop blade when it is rotating.
- A coasting blade can cause injury while it continues to spin after the engine is stopped or throttle trigger released.
- Maintain proper control until the blade has completely stopped rotating.
- Replace any blade that has been bent, warped, cracked, chipped, or damaged. Always make sure blade is installed correctly and securely fastened before each use. Failure to do so can cause serious injury.
- Use only the manufacturer's replacement TRI-ARC® blade intended for use on this brushcutter. Do not use any other blade. To install any other brand blade or cutting head to this brushcutter can result in serious personal injury.
- The TRI-ARC® blade is suited for cutting thicker weeds or pulpy stalks only. Do not use for any other purpose.
- Never use the TRI-ARC® blade to cut woody brush.
- Exercise extreme caution when using the blade with this unit. Blade thrust is the reaction that may occur when the spinning blade contacts anything it cannot cut. This contact may cause the blade to stop for an instant, and suddenly "thrust" the unit away from the object that was hit. This reaction can be violent enough to cause the operator to lose control of the unit. Blade thrust can occur without warning if the blade snags, stalls, or binds. This is more likely to occur in areas where it is difficult to see the material being cut. For cutting ease and safety, approach the weeds being cut from the right to the left. In the event an unexpected object or woody stock is encountered, this could minimize the blade thrust reaction.
- Never cut any material over 1/2 in. diameter.
- Always wear the shoulder harness when using the brushcutter and adjust to a comfortable operating position.
- Maintain a firm grip on both handles while cutting with a blade. Keep the blade away from body and below waist level. Never use the brushcutter with the blade located 30 in. or more above the ground level.
- Save these instructions. Refer to them frequently and use them to instruct others who may use this tool. If you loan someone this tool, loan them these instructions also to prevent misuse of the product and possible injury.

SYMBOLS

Some of the following symbols may be used on this tool. Please study them and learn their meaning. Proper interpretation of these symbols will allow you to operate the tool better and safer.

| SYMBOL | NAME | EXPLANATION |
|---|---------------------------------|--|
|  | Safety Alert Symbol | Precautions that involve your safety. |
|  | Read Your Operator's Manual | To reduce the risk of injury, user must read and understand operator's manual before using this product. |
|  | Wear Eye and Hearing Protection | Wear eye protection which is marked to comply with ANSI Z87.1 as well as hearing protection when operating this equipment. |
|  | Keep Bystanders Away | Keep all bystanders at least 50 ft. (15 m) away. |
|  | Ricochet | Thrown objects can ricochet and result in personal injury or property damage. |
|  | Blade Thrust | Beware of blade thrust. Products authorized for blade use will display this symbol to warn of blade thrust. |

The following signal words and meanings are intended to explain the levels of risk associated with this product.

| SYMBOL | SIGNAL | MEANING |
|---|-----------------|--|
|  | DANGER: | Indicates an imminently hazardous situation, which, if not avoided, will result in death or serious injury. |
|  | WARNING: | Indicates a potentially hazardous situation, which, if not avoided, could result in death or serious injury. |
|  | CAUTION: | Indicates a potentially hazardous situation, which, if not avoided, may result in minor or moderate injury. |
| | CAUTION: | (Without Safety Alert Symbol) Indicates a situation that may result in property damage. |

SERVICE

Servicing requires extreme care and knowledge and should be performed only by a qualified service technician. For service we suggest you return the product to your nearest **AUTHORIZED SERVICE CENTER** for repair. When servicing, use only identical replacement parts.



WARNING:

To avoid serious personal injury, do not attempt to use this product until you read thoroughly and understand completely the operator's manual. If you do not understand the warnings and instructions in the operator's manual, do not use this product. Call Expand-it customer service for assistance.



WARNING:



The operation of any power tool can result in foreign objects being thrown into your eyes, which can result in severe eye damage. Before beginning power tool operation, always wear safety goggles or safety glasses with side shields and, when needed, a full face shield. We recommend Wide Vision Safety Mask for use over eyeglasses or standard safety glasses with side shields. Always use eye protection which is marked to comply with ANSI Z87.1.

SAVE THESE INSTRUCTIONS

FEATURES

PRODUCT SPECIFICATIONS

Blade Cutting Width8 in.
Weight3.25 lbs.

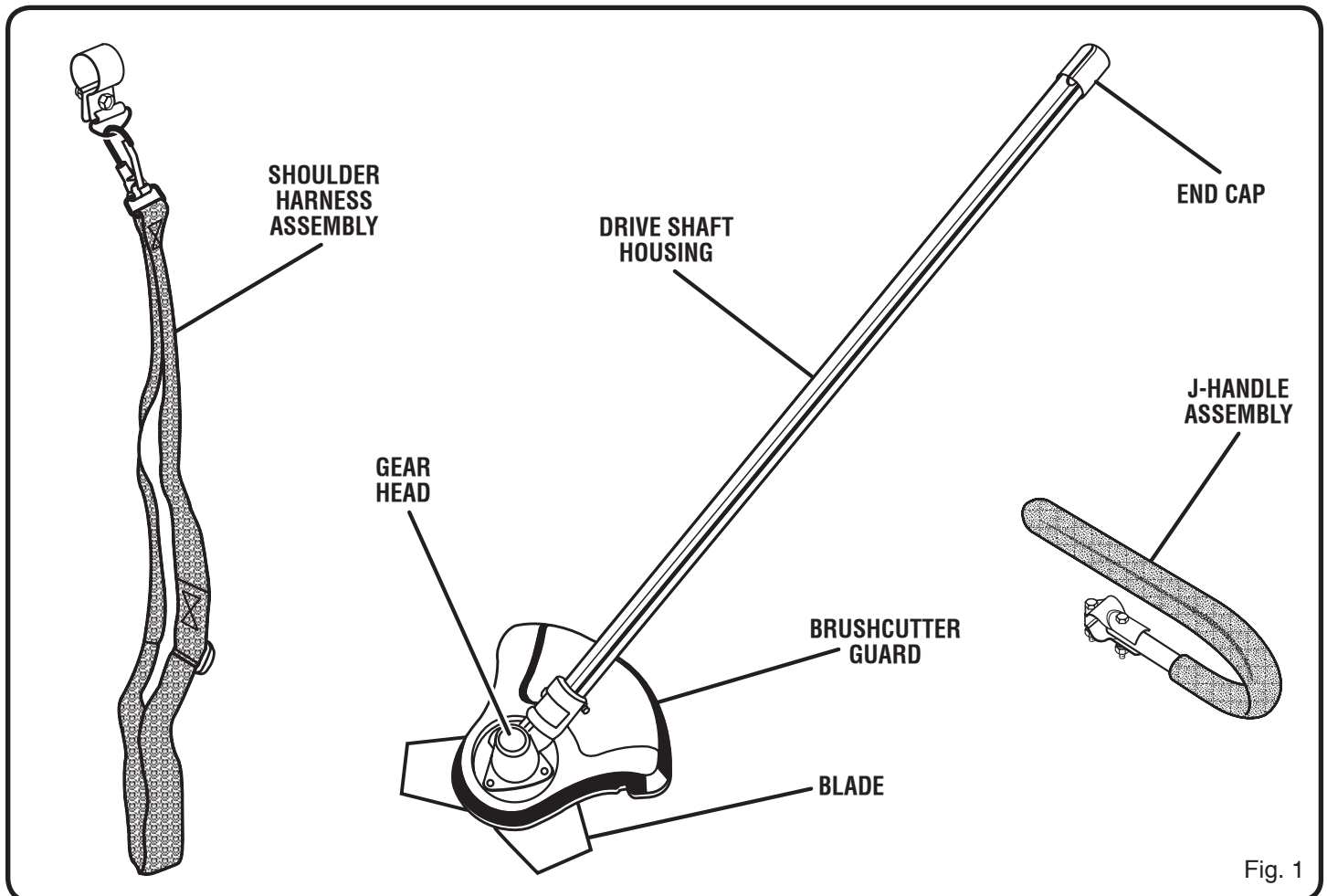


Fig. 1

KNOW YOUR BRUSHCUTTER ATTACHMENT

See Figure 1.

The safe use of this product requires an understanding of the information on the tool and in this operator's manual as well as a knowledge of the project you are attempting. Before use of this product, familiarize yourself with all operating features and safety rules.

ASSEMBLY

UNPACKING

This product requires assembly.

- Carefully remove the items from the box. Make sure that all items listed in the packing list are included.
- Inspect the product carefully to make sure no breakage or damage occurred during shipping.
- Do not discard the packing material until you have carefully inspected and satisfactorily operated the tool.
- If any parts are damaged or missing, please call 1-800-242-4672 for assistance.

PACKING LIST

- Expand-it™ Brushcutter Attachment
- J-Handle Assembly
- Shoulder Harness Assembly
- Hardware Bag
- Hanger Cap
- Gear Head Locking Tool
- Operator's Manual

ASSEMBLY

⚠ WARNING:

If any parts are damaged or missing, do not operate this tool until the parts are replaced. Failure to heed this warning could result in serious personal injury.

⚠ WARNING:

Do not attempt to modify this tool or create accessories not recommended for use with this tool. Any such alteration or modification is misuse and could result in a hazardous condition leading to possible serious personal injury.

⚠ WARNING:

Do not connect to power head until assembly is complete. Failure to comply could result in accidental starting and possible serious personal injury.

JOINING THE POWER HEAD TO THE BRUSHCUTTER ATTACHMENT

See Figure 2.

⚠ WARNING:

Never attach or adjust any attachment while power head is running. Failure to stop the engine may cause serious personal injury.

The brushcutter attachment connects to the power head by means of a coupler device.

- Loosen the knob on the coupler of the power head shaft and remove the end cap from the attachment shaft.
- Push in the button located on the attachment shaft. Align the button with the guide recess on the power head coupler and slide the two shafts together. Rotate attachment shaft until button locks into the positioning hole.

NOTE: If the button does not release completely in the positioning hole, the shafts are not locked into place. Slightly rotate from side to side until the button is locked into place.

- Tighten the knob securely.

⚠ WARNING:

Be certain the knob is fully tightened before operating equipment. Check it periodically for tightness during use to avoid serious injury.

REMOVING THE ATTACHMENT FROM THE POWER HEAD

For removing or changing the attachment:

- Loosen the knob.

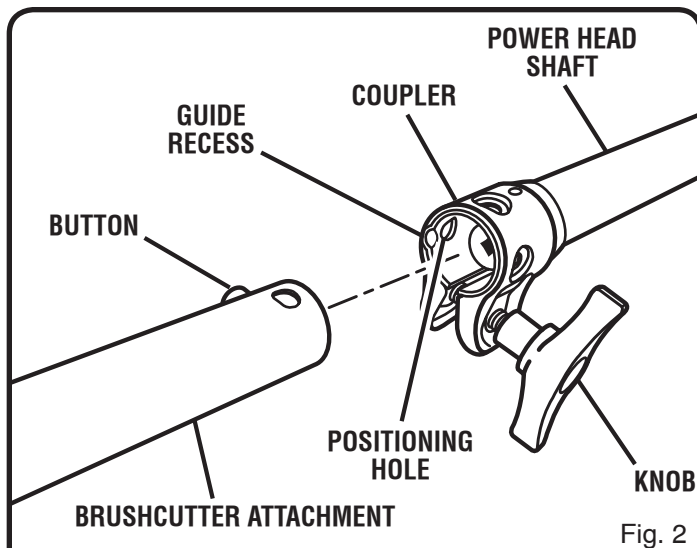


Fig. 2

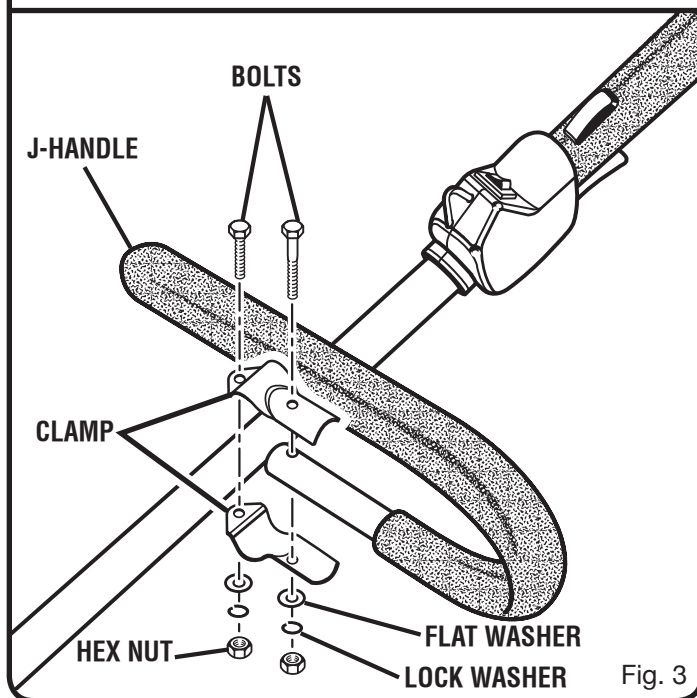


Fig. 3

- Push in the button while twisting and pulling apart the upper and lower sections.

ATTACHING THE “J” HANDLE

See Figure 3.

The “J” handle must be used to ensure the best control and maximize operator safety when using the brushcutter.

- Hold the top and bottom clamp snugly in position on the shaft housing so that handle will be located to the operator’s left.
- Insert the end of the handle between the clamps.
- Align the bolt holes and push the long bolt (1/4-20 x 1-1/2 in.) through the handle side. Place short bolt (1/4-20 x 1 in.) through opposite side of clamp.
- Install flat washers, lock washers, and hex nuts to hold the assembly in place.

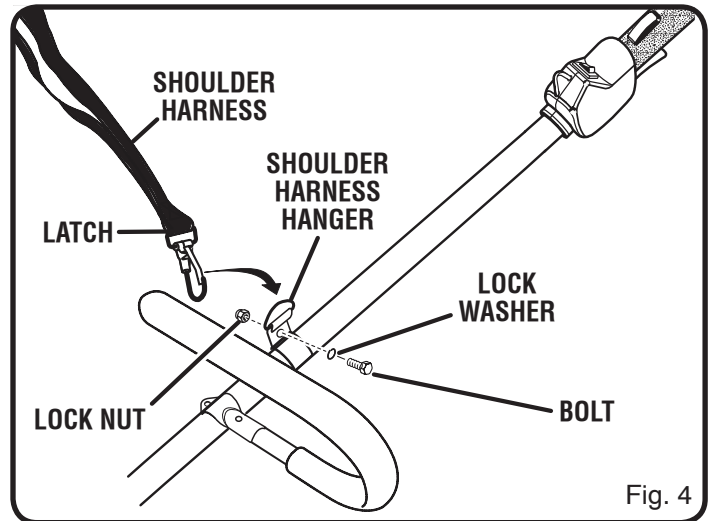
ASSEMBLY

- After assembly is complete, adjust the position of the handle for best balance and comfort.
- Tighten the long bolt, then the short bolt.

INSTALLING THE SHOULDER HARNESS AND STRAP HANGER

See Figure 4.

- Pull apart the ends of the shoulder harness hanger to expand slightly.
- Slide the hanger over the power head shaft immediately behind the "J" handle.
- Squeeze hanger ends together to retighten.
- Install the bolt, lock washer, and lock nut to secure.
- Connect the latch on the shoulder harness to the strap hanger.



OPERATION

⚠ WARNING:

Do not allow familiarity with tools to make you careless. Remember that a careless fraction of a second is sufficient to inflict serious injury.

⚠ WARNING:

Always wear safety goggles or safety glasses with side shields when operating power tools. Failure to do so could result in objects being thrown into your eyes resulting in possible serious injury.

⚠ WARNING:

Do not use any attachments or accessories not recommended by the manufacturer of this tool. The use of attachments or accessories not recommended can result in serious personal injury.

⚠ WARNING:

To avoid burns from hot surfaces, never operate unit with the bottom of the engine above waist level.

APPLICATIONS

You may use this tool for the purpose listed below:

- Cutting areas which cannot be reached with other types of mowing equipment

OPERATING THE BRUSHCUTTER

See Figures 5 - 6.

Hold the brushcutter with your right hand on the rear handle and your left hand on the "J" handle. Keep a firm grip with both hands while in operation. Brushcutter should be held at a comfortable position with the trigger handle about hip height. Maintain your grip and balance on both feet. Position yourself so that you will not be drawn off balance by the kickback reaction of the cutting blade.



OPERATION

Adjust the shoulder harness to position the brushcutter at a comfortable operating position and to ensure that the shoulder harness will reduce the risk of operator contact with the blade.

Ensure the blade has come to a complete stop before setting the brushcutter down.

BLADE THRUST

Exercise extreme caution when using the blade with this unit. Blade thrust is the reaction that may occur when the spinning blade contacts anything it cannot cut. This contact may cause the blade to stop for an instant and suddenly “thrust” the unit away from the object that was hit. This reaction can be violent enough to cause the operator to lose control of the unit. Blade thrust can occur without warning if the blade snags, stalls, or binds. This is more likely to occur in areas where it is difficult to see the material being cut. For cutting ease and safety, approach the weeds being cut with the brushcutter from the right to the left. In the event an unexpected object or woody stock is encountered, this practice could minimize the blade thrust reaction.

TRI-ARC® BLADE

The TRI-ARC® blade is suited only for thicker weeds and pulpy stalks. When the blade becomes dull, it can be turned over to extend the life of the blade. Do not sharpen the TRI-ARC® blade.

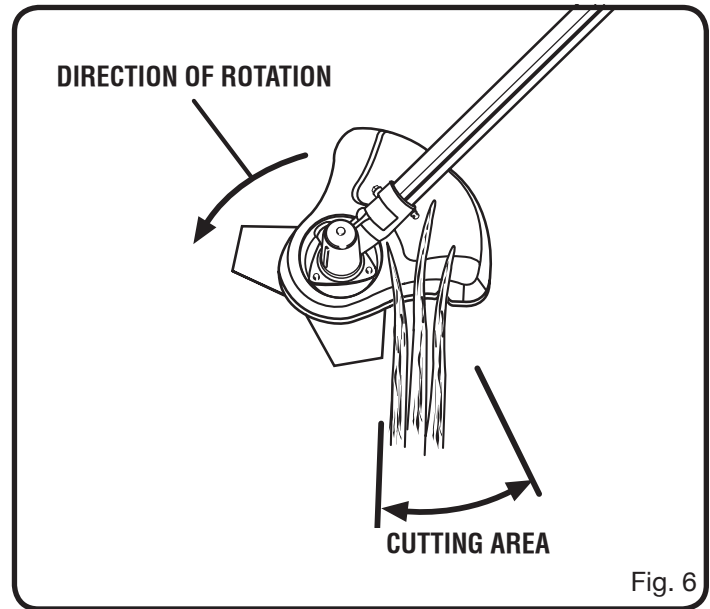
Use only TRI-ARC® blade, part number 06297, available at your service center.

CUTTING TECHNIQUE - BLADE



WARNING:

Extreme care must be taken when using blades to ensure safe operation. For safe operation when using the blade, refer to *Specific Safety Rules* earlier in this manual.



- Always hold brushcutter on your right side with both hands when operating. Use a firm grip on both handles.
- Maintain your grip and balance on both feet. Position yourself so that you will not be drawn off balance by the kickback reaction of the cutting blade.
- Inspect and clear the area of any hidden objects such as glass, rocks, concrete, fencing, wire, wood, metal, etc., which can be thrown or entangled in the blade.
- Never use blades near sidewalks, fencing, posts, buildings or other immovable objects.
- Never use a blade after hitting a hard object without first inspecting it for damage. Do not use if any damage is detected.
- The unit is used for cutting from the right to the left in a broad sweeping action from side to side.
- Use only the TRI-ARC® blade. To install any other brand blade or cutting head to this brushcutter could result in serious personal injury.

MAINTENANCE

WARNING:

When servicing, use only identical replacement parts. Use of any other parts may create a hazard or cause product damage.

WARNING:

Always wear safety goggles or safety glasses with side shields during tool operation. If operation is dusty, also wear a dust mask.

WARNING:

Before inspecting, cleaning, or servicing the machine, shut off engine, wait for all moving parts to stop, and disconnect spark plug wire and move it away from spark plug. Failure to follow these instructions can result in serious personal injury or property damage.

GENERAL MAINTENANCE

Avoid using solvents when cleaning plastic parts. Most plastics are susceptible to damage from various types of commercial solvents and may be damaged by their use. Use clean cloths to remove dirt, dust, oil, grease, etc.

WARNING:

Do not at any time let brake fluids, gasoline, petroleum-based products, penetrating oils, etc., come in contact with plastic parts. Chemicals can damage, weaken or destroy plastic which may result in serious personal injury.

REPLACING THE TRI-ARC® BLADE

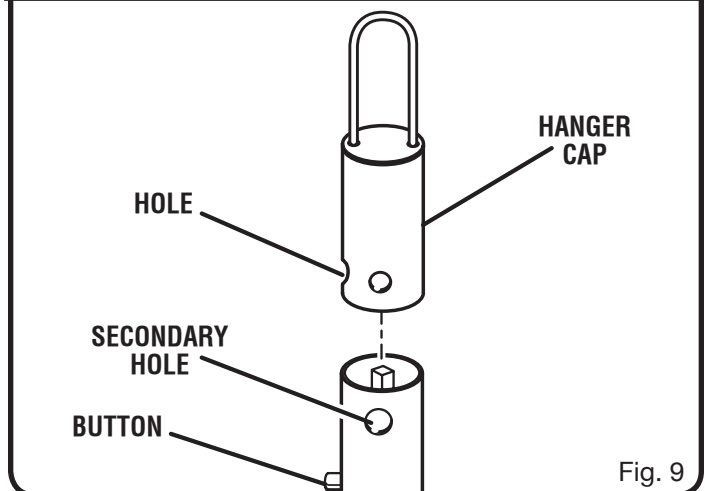
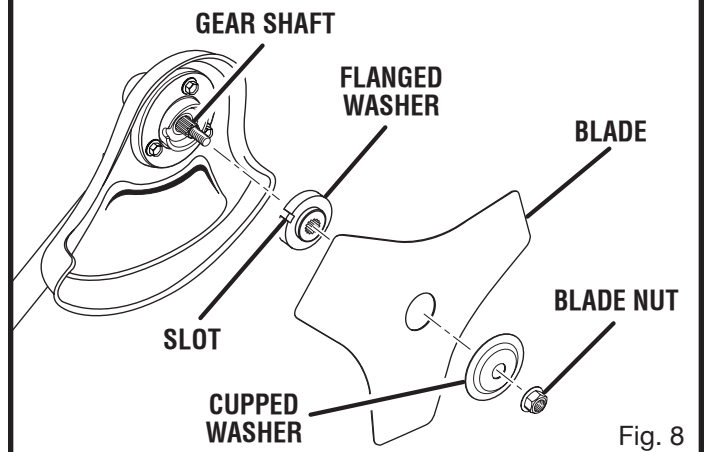
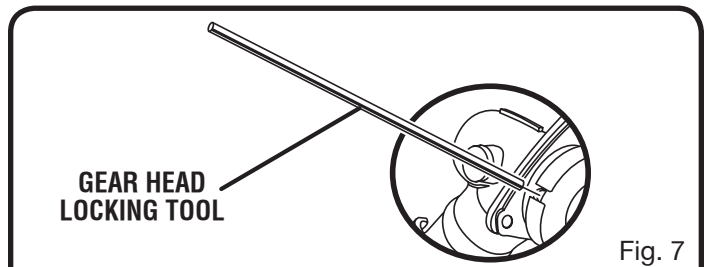
See Figures 7 - 8.

To remove blade:

- Align the slot in the flanged washer with the slot in the gear head.
- Place the gear head locking tool through the slot in the flanged washer and gear head.
- Remove the blade nut by turning it clockwise (left-handed threads).
- Remove the cupped washer and the blade.

To install blade:

- Place flanged washer over the gear shaft with the hollow side toward the brushcutter guard.
- Center the blade on the flanged washer, making sure the blade fits flat and the raised hub goes through the hole in the blade.
- Install the cupped washer with the raised center away from the blade.
- Place the blade nut onto the gear shaft.
- Insert the head locking tool through the flanged washer and gear head.
- Install the blade nut by turning it counterclockwise (left-handed threads).



- Tighten the blade nut and torque to 120 in.lb. minimum (finger tight plus 1/2 turn).

STORING THE ATTACHMENT

Store the attachment in a well-ventilated place that is inaccessible to children. Keep away from corrosive agents such as garden chemicals and deicing salts.

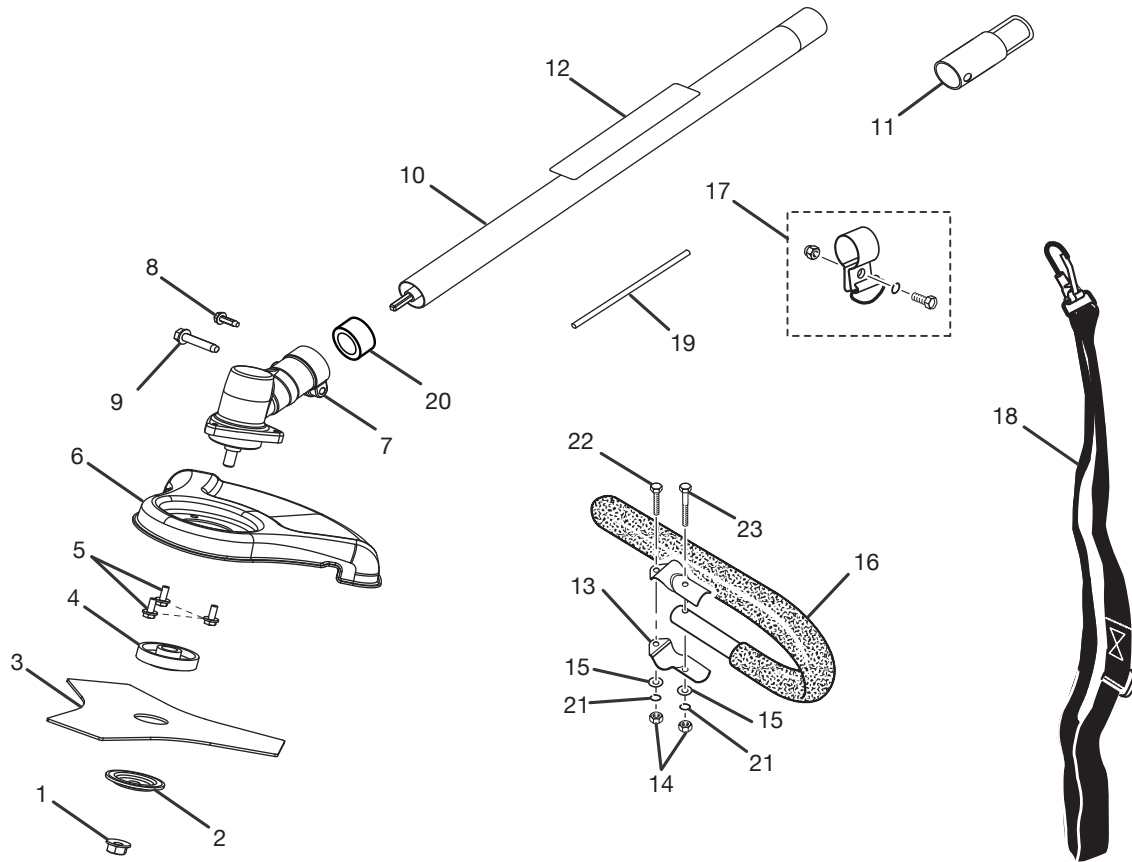
ATTACHING THE STORAGE HANGER

See Figure 9.

There are two ways to hang the attachment for storage.

- To use the hanger cap, push in the button and place the hanger cap over end of the lower end attachment shaft. Slightly rotate the cap from side to side until the button locks into place.
- The secondary hole in the attachment shaft can be used for hanging purposes as well.

EXPLODED VIEW AND PARTS LIST



| KEY NO. | PART NUMBER | DESCRIPTION | QTY. |
|---------|-------------|--|------|
| 1 | 678018001 | Blade Nut, Left-handed Threads (M8) | 1 |
| 2 | 638017001 | Cupped Washer..... | 1 |
| 3 | 638006004 | Blade (Tri-Arc)..... | 1 |
| 4 | 678011001 | Flanged Washer..... | 1 |
| 5 | 660737001 | * Screw (10-24 x 1/2 in. Hex Head w/Dish Washer) | 3 |
| 6 | 638120001 | Brushcutter Guard..... | 1 |
| 7 | 308053001 | Gear Head Assembly..... | 1 |
| 8 | 660736001 | * Screw (10-24 x 5/8 in.) | 1 |
| 9 | 660642001 | Hex Head Screw (1/4 in.-20 x 1-1/4 in.)..... | 1 |
| 10 | 000998233 | Boom Assembly (Includes Key No. 12)..... | 1 |
| 11 | 518019001 | Hanger Cap | 1 |
| 12 | 940657004 | Warning Label..... | 1 |
| 13 | 638014001 | Handle Bar Clamp | 2 |
| 14 | 678016001 | * Hex Nut (1/4 in.-20) | 2 |
| 15 | 678013001 | * Washer..... | 2 |
| 16 | 308046001 | J-Handle and Grip..... | 1 |
| 17 | 308224001 | Strap Hanger | 1 |
| 18 | 308487001 | Shoulder Harness Assembly | 1 |
| 19 | 678020001 | Head Locking Tool..... | 1 |
| 20 | 518367001 | Spacer | 1 |
| 21 | 678012001 | * Lock Washer..... | 2 |
| 22 | 660643002 | * Bolt (1/4 in.-20 x 1 in.)..... | 1 |
| 23 | 660643001 | * Bolt (1/4 in.-20 x 1-1/2 in.)..... | 1 |
| | 983000912 | Operator's Manual (960227036) | |
| | 983000912R | Repair Sheet | |

* STANDARD HARDWARE ITEM — MAY BE PURCHASED LOCALLY

WARRANTY

LIMITED WARRANTY STATEMENT

Techtronic Industries North America, Inc., warrants to the original retail purchaser that this EXPAND-IT brand product is free from defect in material and workmanship and agrees to repair or replace, at Techtronic Industries North America, Inc.'s discretion, any defective product free of charge within these time periods from the date of purchase.

- One year for the following units: all Yard Broom, Trimlite, and Bandit models;
- Two years if the product is used for personal, family or household use;
- 90 days if used for any other purpose, such as commercial or rental.

This warranty extends to the original retail purchaser only and commences on the date of the original retail purchase.

Any part of the product found in the reasonable judgment of Techtronic Industries North America, Inc., to be defective in material or workmanship will be repaired or replaced without charge for parts and labor by an Expand-it authorized service center.

The product, including any defective part, must be returned to an Expand-it authorized service center within the warranty period. The expense of delivering the product to the service center for warranty work and the expense of returning it back to the owner after repair or replacement will be paid by the owner. Techtronic Industries North America, Inc.'s responsibility in respect to claims is limited to making the required repairs or replacements and no claim of breach of warranty shall be cause for cancellation or rescission of the contract of sale of any EXPAND-IT brand product. Proof of purchase will be required by the dealer to substantiate any warranty claim. All warranty work must be performed by an Expand-it authorized service center.

This warranty is limited to ninety (90) days from the date of original retail purchase for any EXPAND-IT brand product that is used for rental or commercial purposes, or any other income-producing purpose.

This warranty does not cover any product that has been subject to misuse, neglect, negligence, or accident, or that has been operated in any way contrary to the operating instructions as specified in this operator's manual. This warranty does not apply to any damage to the product that is the result of improper maintenance or to any product that has been altered or modified. The warranty does not extend to repairs made necessary by normal wear or by the use of parts or accessories which are either incompatible with the EXPAND-IT brand product or adversely affect its operation, performance, or durability.

In addition, this warranty does not cover:

- A. Tune-ups – Spark Plugs, Carburetor, Carburetor Adjustments, Ignition, Filters
- B. Wear items – Bump Knobs, Outer Spools, Cutting Lines, Inner Reels, Starter Pulleys, Starter Ropes, Drive Belts, Tines, Felt Washers, Hitch Pins, Mulching Blades, Blower Fans, Blower and Vacuum Tubes, Vacuum Bags and Straps, Guide Bars, Saw Chains

Techtronic Industries North America, Inc., reserves the right to change or improve the design of any EXPAND-IT brand product without assuming any obligation to modify any product previously manufactured.

ALL IMPLIED WARRANTIES ARE LIMITED IN DURATION TO THE STATED WARRANTY PERIOD. ACCORDINGLY, ANY SUCH IMPLIED WARRANTIES INCLUDING MERCHANTABILITY, FITNESS FOR A PARTICULAR PURPOSE, OR OTHERWISE, ARE DISCLAIMED IN THEIR ENTIRETY AFTER THE EXPIRATION OF THE APPROPRIATE TWO-YEAR, ONE-YEAR, OR NINETY-DAY WARRANTY PERIOD. TECHTRONIC INDUSTRIES NORTH AMERICA, INC.'S OBLIGATION UNDER THIS WARRANTY IS STRICTLY AND EXCLUSIVELY LIMITED TO THE REPAIR OR REPLACEMENT OF DEFECTIVE PARTS AND TECHTRONIC INDUSTRIES NORTH AMERICA, INC., DOES NOT ASSUME OR AUTHORIZE ANYONE TO ASSUME FOR THEM ANY OTHER OBLIGATION. SOME STATES DO NOT ALLOW LIMITATIONS ON HOW LONG AN IMPLIED WARRANTY LASTS, SO THE ABOVE LIMITATION MAY NOT APPLY TO YOU. TECHTRONIC INDUSTRIES NORTH AMERICA, INC., ASSUMES NO RESPONSIBILITY FOR INCIDENTAL, CONSEQUENTIAL, OR OTHER DAMAGES INCLUDING, BUT NOT LIMITED TO, EXPENSE OF RETURNING THE PRODUCT TO AN EXPAND-IT AUTHORIZED SERVICE CENTER AND EXPENSE OF DELIVERING IT BACK TO THE OWNER, MECHANIC'S TRAVEL TIME, TELEPHONE OR TELEGRAM CHARGES, RENTAL OF A LIKE PRODUCT DURING THE TIME WARRANTY SERVICE IS BEING PERFORMED, TRAVEL, LOSS OR DAMAGE TO PERSONAL PROPERTY, LOSS OF REVENUE, LOSS OF USE OF THE PRODUCT, LOSS OF TIME, OR INCONVENIENCE. SOME STATES DO NOT ALLOW THE EXCLUSION OR LIMITATION OF INCIDENTAL OR CONSEQUENTIAL DAMAGES, SO THE ABOVE LIMITATION OR EXCLUSION MAY NOT APPLY TO YOU.

This warranty gives you specific legal rights, and you may also have other rights which vary from state to state.

This warranty applies to all EXPAND-IT brand products manufactured by or for Techtronic Industries North America, Inc., and sold in the United States and Canada.

To locate your nearest Expand-it authorized service center, dial 1-800-242-4672.

Free Manuals Download Website

<http://myh66.com>

<http://usermanuals.us>

<http://www.somanuals.com>

<http://www.4manuals.cc>

<http://www.manual-lib.com>

<http://www.404manual.com>

<http://www.luxmanual.com>

<http://aubethermostatmanual.com>

Golf course search by state

<http://golfingnear.com>

Email search by domain

<http://emailbydomain.com>

Auto manuals search

<http://auto.somanuals.com>

TV manuals search

<http://tv.somanuals.com>