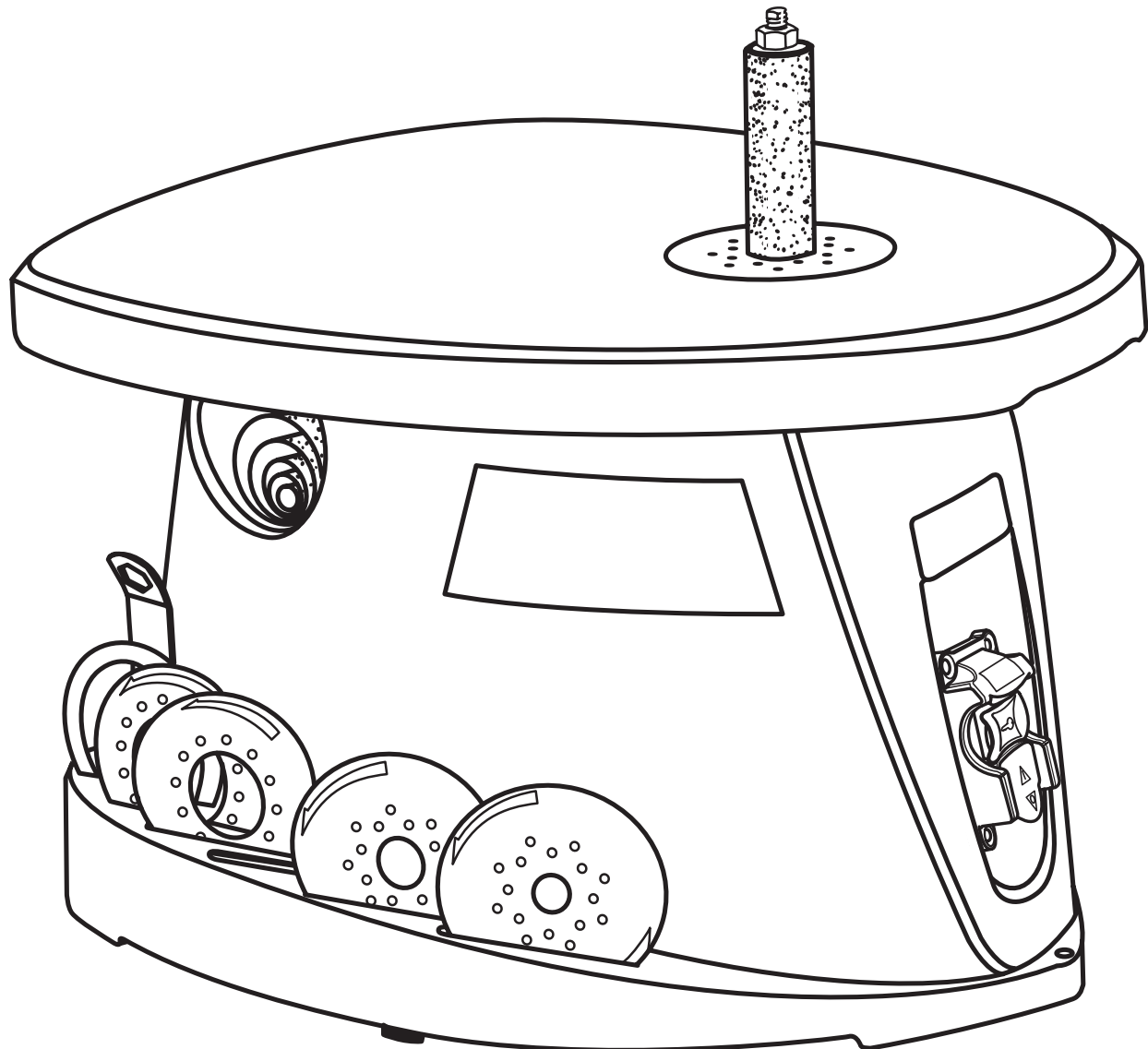


# RYOBI®

## OPERATOR'S MANUAL

### Oscillating Spindle Sander OSS500 - Double Insulated



Your new oscillating spindle sander has been engineered and manufactured to Ryobi's high standard for dependability, ease of operation, and operator safety. Properly cared for, it will give you years of rugged, trouble-free performance.



**WARNING:** To reduce the risk of injury, the user must read and understand the operator's manual.

Thank you for buying a Ryobi oscillating spindle sander.

**SAVE THIS MANUAL FOR FUTURE REFERENCE**

# TABLE OF CONTENTS

■ Introduction .....	2
■ Rules for Safe Operation .....	3-5
■ Specifications .....	6
■ Unpacking .....	6
■ Features .....	7-8
■ Adjustments .....	9-11
■ Operation .....	12-13
■ Maintenance .....	14
■ Parts, Ordering, and Service .....	16

## INTRODUCTION

Your sander has many features for making sanding operations more pleasant and enjoyable. Safety, performance, and dependability have been given top priority in the design of this tool making it easy to maintain and operate.

### **WARNING:**

Do not attempt to use this tool until you have read thoroughly and understand completely the operator's manual. Pay close attention to the safety rules, including Dangers, Warnings, and Cautions. If you use your sander properly and only for what it is intended, you will enjoy years of safe, reliable service.



The operation of any power tool can result in foreign objects being thrown into your eyes, which can result in severe eye damage. Before beginning tool operation, always wear safety goggles or safety glasses with side shields and a full face shield when needed. We recommend Wide Vision Safety Mask for use over eyeglasses or standard safety glasses with side shields. Always wear eye protection which is marked to comply with ANSI Z87.1.



**Look for this symbol to point out important safety precautions. It means attention!!! Your safety is involved.**

# RULES FOR SAFE OPERATION

Safe operation of this power tool requires that you read and understand this operator's manual and all labels affixed to the tool. Safety is a combination of common sense, staying alert, and knowing how your tool works.

## READ ALL INSTRUCTIONS

- **KNOW YOUR POWER TOOL.** Read the operator's manual carefully. Learn the tool's applications and limitations as well as the specific potential hazards related to this tool.
- **KEEP THROAT PLATES IN PLACE** and in working order.
- **REMOVE WRENCH.** Get in the habit of checking to see that the wrench is removed from the spindle before turning on the tool. Return the wrench, upper spindle washer(s), and throat plates to the storage area when not in use.
- **KEEP WORK AREA CLEAN.** Cluttered work areas and work benches invite accidents. **DO NOT** leave tools or pieces of wood on the tool while it is in operation.
- **DO NOT USE IN DANGEROUS ENVIRONMENTS.** Work in a well lit area. Do not use power tools near gasoline or other flammable liquids. Do not expose power tools to rain or damp or wet conditions.
- **KEEP BYSTANDERS AWAY.** Keep bystanders, children, and pets away while operating a power tool. Distractions can cause you to lose control.
- **MAKE WORKSHOP CHILDPROOF** with padlocks and master switches or by removing starter keys.
- **DO NOT FORCE THE TOOL.** It will do the job better and more safely at the rate for which it was designed.
- **USE THE RIGHT TOOL FOR THE JOB.** Do not force the tool or attachment to do a job for which it was not designed. Use it only the way it was intended.
- **USE THE PROPER EXTENSION CORD.** Make sure your extension cord is in good condition. Use only a cord heavy enough to carry the current your product will draw. An undersized cord will cause a drop in line voltage resulting in loss of power and overheating. A wire gage size (A.W.G.) of at least 16 is recommended for an extension cord 25 feet or less in length. If in doubt, use the next heavier gage. The smaller the gage number, the heavier the cord.
- **DO NOT ABUSE CORD.** Never yank cord to disconnect it from receptacle. Keep cord from heat, oil, and sharp edges.
- **INSPECT TOOL CORDS AND EXTENSION CORDS PERIODICALLY** and, if damaged, have them repaired by a qualified service technician at an authorized service center. Stay constantly aware of cord location and keep it well away from the moving parts of the tool.
- **USE OUTDOOR EXTENSION CORDS.** When tool is used outdoors, use only extension cords with approved ground connection that are intended for use outdoors and so marked.
- **DRESS PROPERLY.** Do not wear loose clothing, gloves, neckties, rings, bracelets, or other jewelry that can get caught and draw you into moving parts. Nonslip footwear is recommended. Also wear protective hair covering to contain long hair.
- **ALWAYS WEAR SAFETY GLASSES WITH SIDE SHIELDS.** Everyday eyeglasses have only impact-resistant lenses, they are **NOT** safety glasses.
- **WEAR A DUST MASK** to keep from inhaling fine particles.
- **PROTECT YOUR HEARING.** Wear hearing protection during extended periods of operation.
- **INSPECT WORK.** Remove all nails from lumber before sanding.
- **DIRECTION OF FEED.** Feed the workpiece into the sanding sleeve against the direction of the sanding sleeve rotation only.
- **DO NOT OVERREACH.** Keep proper footing and balance at all times.
- **MAINTAIN TOOLS WITH CARE.** Keep tools sharp and clean for better and safer performance. Follow instructions for lubricating and changing accessories.
- **DISCONNECT ALL TOOLS** when not in use, before servicing, or when changing attachments.
- **AVOID ACCIDENTAL STARTING.** Be sure switch is off when plugging in any tool.
- **USE RECOMMENDED ACCESSORIES.** Using improper accessories may risk injury.
- **MAINTAIN 1/16 in. (1.6 mm) OR LESS** between sanding drum and throat plate.
- **NEVER STAND ON TOOL.** Serious injury could occur if the tool is tipped or if moving parts are unintentionally contacted.
- **CHECK DAMAGED PARTS.** Check any previously damaged parts for proper operation and performance. Check alignment of moving parts, binding of moving parts, breakage of parts, tool stability, mounting and any other conditions that may affect its operation. A damaged part must be properly repaired or replaced by a qualified service technician at an authorized service center to avoid risk of personal injury.
- **NEVER LEAVE TOOL RUNNING UNATTENDED. TURN THE POWER OFF.** Do not leave tool until it comes to a complete stop.
- **FIRMLY CLAMP OR BOLT** the tool to a workbench or table at approximately hip height.
- **KEEP HANDS AWAY FROM SANDING AREA.** Keep hands away from the sanding sleeve. Do not reach underneath work or around sanding sleeve while spindle is rotating.

# RULES FOR SAFE OPERATION

- **DO NOT USE TOOL IF SWITCH DOES NOT TURN IT ON AND OFF.** Have defective switches replaced by a qualified service technician at an authorized service center.
- **KEEP TOOL DRY, CLEAN, AND FREE FROM OIL AND GREASE.** Always use a clean cloth when cleaning. Never use brake fluids, gasoline, petroleum-based products, or any solvents to clean tool.
- **REPLACEMENT PARTS.** All repairs, whether electrical or mechanical, should be made at your nearest authorized service center.
- **WHEN SERVICING,** use only identical Ryobi replacement parts. Use of any other parts may create a hazard or cause product damage.
- **NEVER USE THIS TOOL IN AN EXPLOSIVE ATMOSPHERE.** Normal sparking of the motor could ignite fumes.
- **POLARIZED PLUGS.** To reduce the risk of electric shock, this tool has a polarized plug (one blade is wider than the other). This plug will fit in a polarized outlet only one way. If the plug does not fit fully in the outlet, reverse the plug. If it still does not fit, contact a qualified electrician to install the proper outlet. Do not change the plug in any way.
- **NEVER USE THIS OR ANY POWER SANDER FOR WET SANDING.** Failure to comply can result in electrical shock causing serious injury.
- **DO NOT OPERATE THIS TOOL WHILE UNDER THE INFLUENCE OF DRUGS, ALCOHOL, OR ANY MEDICATION.**
- **STAY ALERT AND EXERCISE CONTROL.** Watch what you are doing and use common sense. **Do not operate tool when you are tired. Do not rush.**
- **ALWAYS TURN OFF THE TOOL** before disconnecting it to avoid accidental starting when reconnecting to power supply. **NEVER** leave the tool unattended while connected to a power source.
- **SAVE THESE INSTRUCTIONS.** Refer to them frequently and use them to instruct other users. If you loan someone this tool, loan them these instructions also.

## **WARNING:**

Some dust created by power sanding, sawing, grinding, drilling, and other construction activities contains chemicals known to cause cancer, birth defects or other reproductive harm. Some examples of these chemicals are:

- lead from lead-based paints,
- crystalline silica from bricks and cement and other masonry products, and
- arsenic and chromium from chemically-treated lumber.

Your risk from these exposures varies, depending on how often you do this type of work. To reduce your exposure to these chemicals: work in a well ventilated area, and work with approved safety equipment, such as those dust masks that are specially designed to filter out microscopic particles.

# RULES FOR SAFE OPERATION

The purpose of safety symbols is to attract your attention to possible dangers. The safety symbols, and the explanations with them, deserve your careful attention and understanding. The safety warnings do not by themselves eliminate any danger. The instructions or warnings they give are not substitutes for proper accident prevention measures.

SYMBOL	MEANING
	<b>DANGER:</b> Failure to obey a safety warning will result in serious injury to yourself or to others. Always follow the safety precautions to reduce the risk of fire, electric shock and personal injury.
	<b>WARNING:</b> Failure to obey a safety warning can result in serious injury to yourself or to others. Always follow the safety precautions to reduce the risk of fire, electric shock and personal injury.
	<b>CAUTION:</b> Failure to obey a safety warning may result in property damage or personal injury to yourself or to others. Always follow the safety precautions to reduce the risk of fire, electric shock and personal injury.
	<b>WET CONDITIONS ALERT:</b> Do not expose to rain or use in damp locations.
	<b>NOTE:</b> Advises you of information or instructions vital to the operation or maintenance of the equipment.



## SAVE THESE INSTRUCTIONS

### DOUBLE INSULATION

Double insulation is a concept in safety in electric power tools, which eliminates the need for the usual three-wire grounded power cord. All exposed metal parts are isolated from the internal metal motor components with protecting insulation. Double insulated tools do not need to be grounded.



#### **WARNING:**

The double insulated system is intended to protect the user from shock resulting from a break in the tool's internal wiring. Observe all normal safety precautions to avoid electrical shock.

**Important:** Servicing of a tool with double insulation requires extreme care and knowledge of the system and should be performed only by a qualified service technician. For service, we suggest you return the tool to your nearest authorized service center for repair. Always use original factory replacement parts when servicing.

### ELECTRICAL CONNECTION

Your tool has a precision built electric motor. **It should be connected to a power supply that is 120 volts, 60 Hz, AC only (normal household current).** Do not operate this tool on direct current (DC). A substantial voltage drop will cause a loss of power and the motor will overheat. If your tool does not operate when plugged into an outlet, double-check the power supply.

# SPECIFICATIONS

Oscillating Range	5/8 in. (15.9 mm)
Oscillations Per Minute	58 OPM
Spindle Size	1/2 in. (12.7 mm)
No Load Speed	2000 RPM
Input	120 Volts, 60 Hz, AC only, 3.5 Amps
Weight	49 lbs. (22.2 kg)

# UNPACKING

## INFORMATION

We have shipped the oscillating spindle sander completely assembled and ready to use with a 1 in. (25.4 mm) rubber spindle, 7/8 in. (22.2 mm) upper spindle washer, 1 in. (26 mm) throat plate, and 80 grit 1 in. (25.4 mm) sanding sleeve installed on the spindle.

- Remove the loose parts from the box. Make sure that all items listed in the loose parts list are included.
- Remove the packing materials from around the tool.
- Lift the tool carefully from the box and place it on a level work surface.

**NOTE:** The sander is heavy. Ask for assistance if necessary.

- Do not discard the packing material until you have carefully inspected the tool, identified all loose parts, and satisfactorily operated the tool.

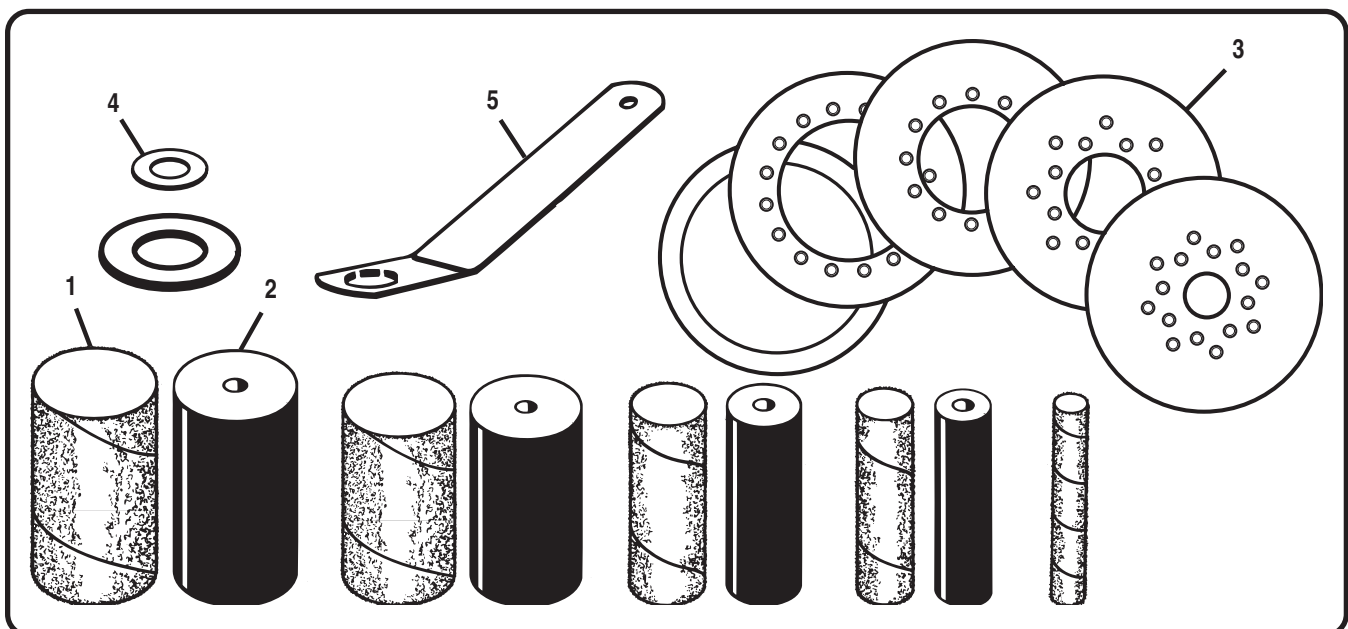
- If any parts are damaged or missing, please call 1-800-525-2579 for assistance.
- Inspect all parts carefully to make sure no breakage or damage occurred during shipping.

## ⚠ WARNING:

If any parts are missing do not operate the tool until the missing parts are replaced. Failure to do so could result in serious personal injury.

## LOOSE PARTS LIST

1. Sanding sleeves, 50, 80, 150 grit (17)
2. Rubber spindles (4)
3. Throat plates (5)
4. Upper spindle washers (2)
5. Wrench



# FEATURES

Before using the oscillating spindle sander, familiarize yourself with all operating features and safety requirements. However, do not let familiarity with the tool make you careless.

## **WARNING:**

Exercise caution when using the oscillating spindle sander. Careless actions, for even a fraction of a second, can result in serious personal injury.

## **SWITCH**

The ON/OFF switch has a built-in locking feature that requires you to insert a key before turning on the sander. Pushing the switch to the OFF position and removing the key secures the sander against unintentional use. This feature is intended to prevent unauthorized and possible hazardous use by children and others.

## **WARNING:**

Always lock the switch OFF when the sander is not in use. Remove the key and keep it in a safe place. In the event of a power failure, turn the switch OFF and remove the key. This action will prevent the sander from accidentally starting when power returns.

## **MOTOR**

The sander has a 3.5 amp motor with sufficient power to handle tough sanding jobs. It develops a no load speed of 2,000 RPM and 58 OPM.

## **OSCILLATING MOTION**

As the name implies, the most unique feature of this sander is the fact that it oscillates. This means that the spindle rises and falls as it rotates. The oscillating range for the sander is 5/8 in. (15.9 mm).

## **SANDING CAPACITIES**

The sander accepts sanding sleeves that are 1/2 in. (12.7 mm) through 3 in. (76.2 mm) in diameter and 4-1/2 in. (114.3 mm) in height.

**NOTE:** Sanding sleeves are 4-1/2 in. (114.3 mm) tall; however, you can only sand material up to 3-11/16 in. (93.7 mm) thick.

The 1/2 in. (12.7 mm) sanding sleeve fits directly on the 1/2 in. (12.7 mm) spindle and requires no rubber spindle. It is secured in place with a washer and hex nut on top of the spindle. All other sanding sleeves require a rubber spindle to secure them in place. These rubber spindles fit on the spindle and require a throat plate and sanding sleeve. A washer and hex nut thread on top of the spindle to hold everything in place.

## **TABLE SIZE**

The sanding table provides ample sanding space for most workpieces. The table top is 19-1/4 in. (489 mm) long x 15-3/4 in. (400 mm) wide.

## **THROAT PLATES**

Six throat plates are included with the sander. The throat plate provides a stable surface around the sanding sleeve and prevents objects from falling through the throat and damaging the spindle.

## **DUST COLLECTION**

A standard 2-1/4 in. (57.2 mm) dust exhaust port is provided to help keep dust to a minimum. It is located under the table top on the back of the sander. The end of a standard shop vacuum hose fits tightly inside the dust exhaust port.

## **THROAT PLATE/WRENCH STORAGE AREA**

A throat plate and wrench storage area is located on the left side of the cabinet.

## **SANDING SLEEVE/RUBBER SPINDLE STORAGE AREA**

A sanding sleeve and rubber spindle storage area is located on the right side of the cabinet. Store unused sanding sleeves and rubber spindles on their designated pins. Proper storage of sanding sleeves and rubber spindles helps protect them from being damaged and getting lost.

## **EXTRA SANDING SLEEVE/WASHER STORAGE AREA**

Store extra sanding sleeves and upper spindle washers under the table in either of the cavities.

# FEATURES

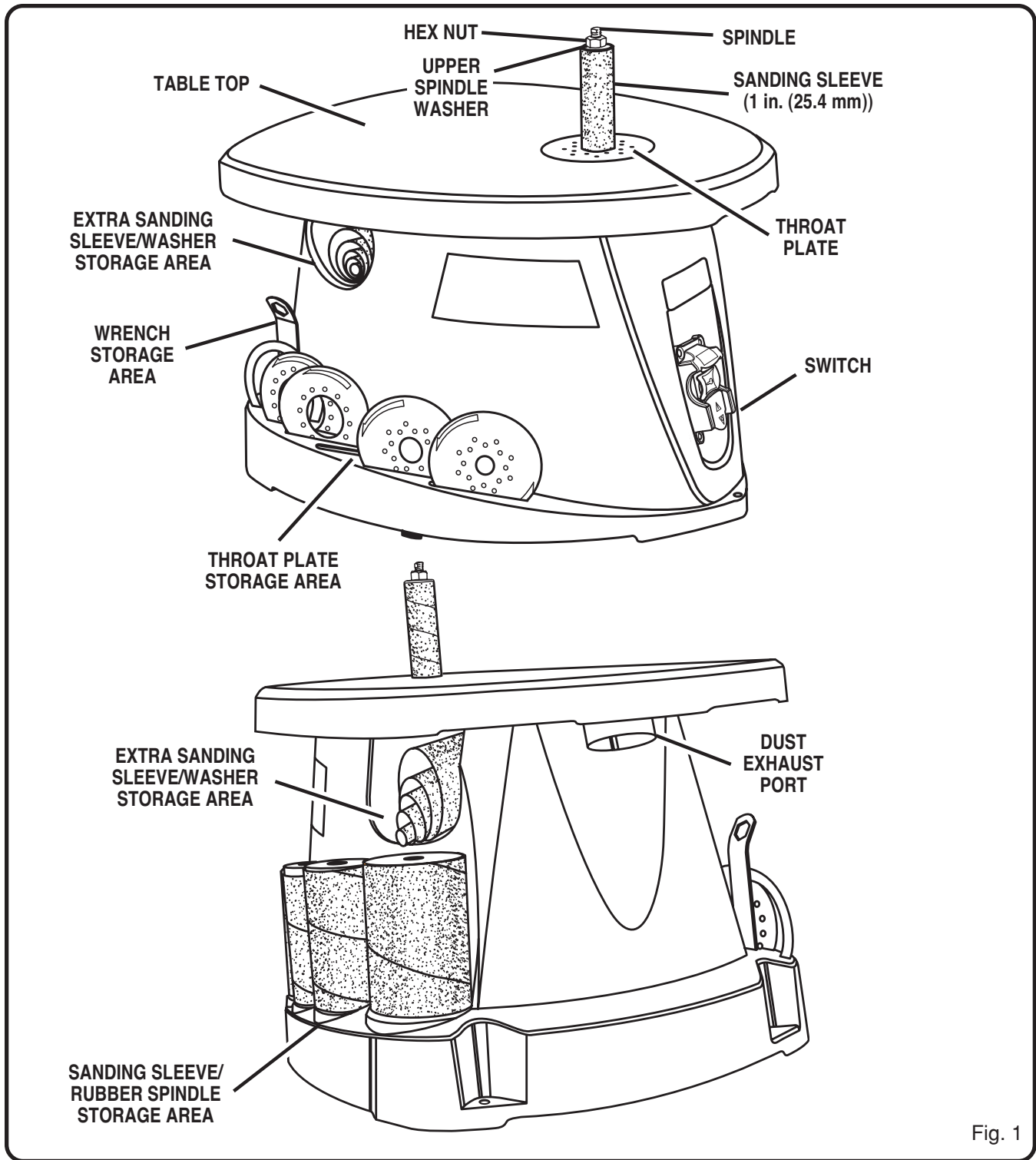


Fig. 1

## **⚠ WARNING:**

Do not attempt to modify this tool or create accessories not recommended for use with this tool. Any such alteration or modification is misuse and could result in a hazardous condition leading to possible serious personal injury.



# ADJUSTMENTS

## ⚠ WARNING:

The sander should never be connected to a power supply when you are assembling parts, making adjustments, cleaning, or when not in use. Disconnecting the tool will prevent accidental starting that could cause serious personal injury.

## SELECTING SANDING SLEEVES

Selecting the correct size diameter, correct size grit, and correct type sanding sleeve is an extremely important step in achieving a high quality sanded finish. Aluminum oxide, silicon carbide, and other synthetic abrasives are best for power sanding. Natural abrasives, such as flint and garnet are too soft for power sanding.

In general, when sanding, coarse grit removes the most material and fine grit produces the best finish. The condition of the surface to be sanded determines which grit will do the best job. If the surface is rough, start with a coarse grit and sand until the surface is uniform. Then use medium grit to remove scratches left by the coarser grit. Finally, use finer grit for finishing the surface. Always continue sanding with each grit until the surface is uniform.

**NOTE:** Do not use the sander without a sanding sleeve. Doing so will damage the rubber spindle.

Select and install the desired sanding sleeve for your particular application. As mentioned previously, you can use sanding sleeves from 1/2 in. (12.7 mm) to 3 in. (76.2 mm) in diameter with this sander. Choose one that is close in size to the workpiece you are sanding.

## SELECTING THROAT PLATES/UPPER SPINDLE WASHERS

See Figure 2.

Six throat plates are provided with this sander. Each throat plate indicates the correct sanding sleeve/rubber spindle size to use.

The chart below identifies the relationship between sanding sleeves/rubber spindles, throat plates, and upper spindle washers.

## ⚠ WARNING:

Failure to use the correct size throat plate with its matching sanding sleeve could result in fingers being pinched or the workpiece being pulled down between the throat plate and the sanding sleeve.

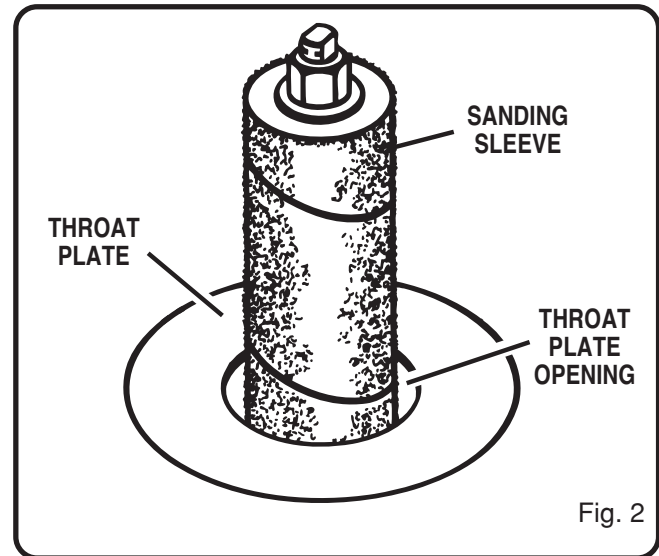


Fig. 2

Sanding Sleeve/Rubber Spindle	Throat Plate	Upper Spindle Washer
1/2 in. (12.7 mm)	.5" (13 mm)	5/8 in. (15.9 mm)
3/4 in. (19.1 mm)	.75" (19 mm)	7/8 in. (22.2 mm)
1 in. (25.4 mm)	1" (26 mm)	7/8 in. (22.2 mm)
1-1/2 in. (38.1 mm)	1.5" (38 mm)	7/8 in. (22.2 mm)
2 in. (50.8 mm)	2" (51 mm)	1-13/16 in. (46 mm)
3 in. (76.2 mm)	3" (76 mm)	1-13/16 in. (46 mm)

# ADJUSTMENTS

## REMOVING SANDING SLEEVES

See Figure 3.

Follow these directions to remove sanding sleeves.

- Unplug the sander.

### **WARNING:**

Failure to unplug the tool could result in accidental starting causing serious injury.

- Grasp and hold the sanding sleeve on the spindle.
- Loosen the hex nut using the wrench provided.

**NOTE:** If the hex nut is too tight and the spindle shaft spins inside the sanding sleeve, grasp the flats on top of the spindle shaft with a 1/4 in. wrench (not provided) and loosen the hex nut.

- Remove the hex nut, upper spindle washer, sanding sleeve, rubber spindle, and throat plate.

**NOTE:** It is recommended that you clean dust accumulations from the throat plate, throat plate nest, and under the lower spindle washer after each use. Remove the lower spindle washer and clean dust accumulations.

## INSTALLING SANDING SLEEVES

(All except 1/2 in. (12.7 mm))

See Figure 4.

Follow these directions to install sanding sleeves.

- Unplug the sander.

### **WARNING:**

Failure to unplug the tool could result in accidental starting causing serious injury.

- Place the lower spindle washer over the spindle, fin side down.

**NOTE:** Always install the fin side of the washer down. The fins help push dust through the dust exhaust port opening, preventing buildup of dust. Dust in this area may cause the oscillating motion to stop. Always use the lower spindle washer with all sanding sleeves.

- Select and install the correct throat plate. Refer to SELECTING THROAT PLATES/UPPER SPINDLE WASHERS earlier in this manual.
- Select and install the correct rubber spindle.
- Install the appropriate sanding sleeve on the rubber spindle.

**NOTE:** If the sanding sleeve becomes difficult to remove or install, apply talcum powder on the rubber spindle or inside the sanding sleeve before installing the sanding sleeve on the rubber spindle.

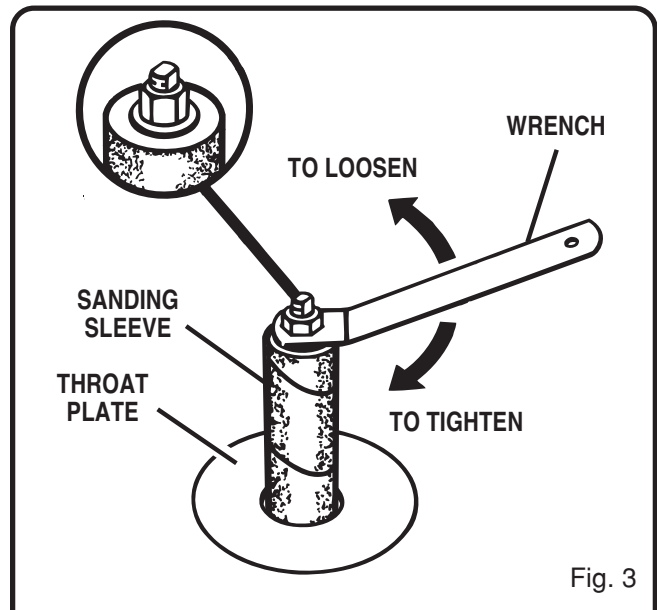


Fig. 3

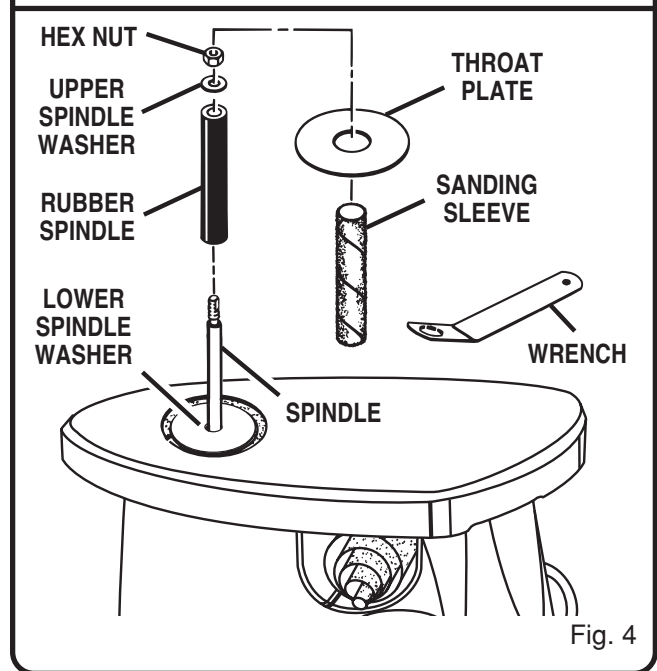


Fig. 4

- Install the upper spindle washer and hex nut.

**NOTE:** Use the 7/8 in. (22.2 mm) washer for the 3/4 in. (19.1 mm), 1 in. (25.4 mm), and 1-1/2 in. (38.1 mm) rubber spindles. Use the 1-13/16 in. (46 mm) washer for the 2 in. (50.8 mm) and 3 in. (76.2 mm) rubber spindles.

- Grasp and hold the sanding sleeve on the spindle.
- Tighten the hex nut using the wrench provided.

**NOTE:** Tighten the hex nut only enough to expand the rubber spindle against the inner wall of the sanding sleeve. **Do not overtighten.**

- Return the wrench to the storage area.

# ADJUSTMENTS

## INSTALLING 1/2 INCH (12.7 mm) SANDING SLEEVES

See Figure 5.

Follow these directions to install 1/2 inch (12.7 mm) sanding sleeves.

- Unplug the sander.

### **WARNING:**

Failure to unplug the tool could result in accidental starting causing serious injury.

- Place the lower spindle washer over the spindle, fin side down.

**NOTE:** Always install the fin side of the washer down. The fins help push dust through the dust exhaust port opening, preventing buildup of dust. Dust in this area may cause the oscillating motion to stop. Always use the lower spindle washer with all sanding sleeves.

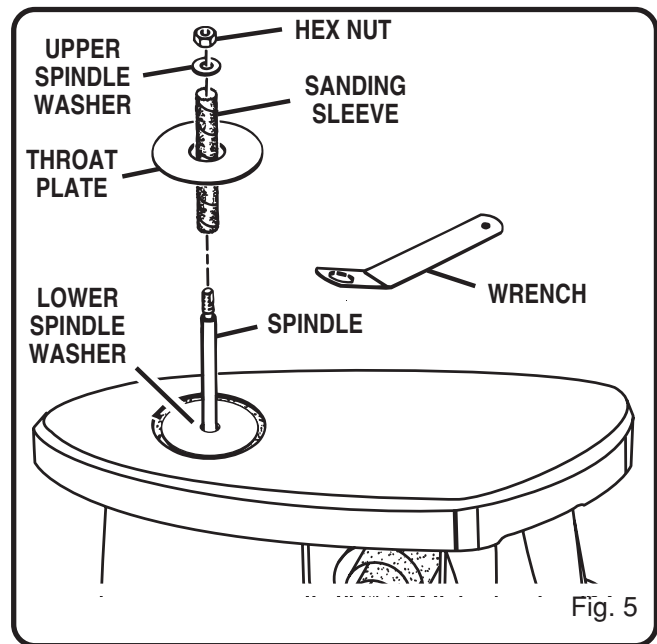
- Install the throat plate with the .5 in. (13 mm) opening.
- Install the 1/2 in. (12.7 mm) sanding sleeve on the spindle shaft.

**NOTE:** Mount the sanding sleeve directly onto the spindle shaft. A rubber spindle is not required.

- Install the 5/8 in. (15.9 mm) upper spindle washer and hex nut.
- Grasp and hold the sanding sleeve on the spindle.
- Tighten the hex nut using the wrench provided.

**NOTE:** Tighten the hex nut securely. **Do not overtighten.**

- Return the wrench to the storage area.



# OPERATION

## **⚠ WARNING:**

Always wear safety goggles or safety glasses with side shields when operating this tool. Failure to do so could result in dust, shavings, or loose particles being thrown into your eyes, resulting in possible serious injury.

## **MOUNTING THE SANDER TO A WORK SURFACE**

See Figures 6 and 7.

Follow these directions to mount the sander to a work surface.

- Place the sander on a sturdy work surface, e.g., work stand, workbench, counter top.
- Mark the holes in the sander base with a pencil.
- Remove the sander from the work surface.
- Drill three holes through the work surface.
- Place the sander back on the work surface, aligning the holes in the base with the holes in the work surface.

**NOTE:** If the sander does not appear to be stable, make sure the rubber stabilizers are intact on the sander bottom.

- Insert three bolts (not included, 1/4 in. (6.4 mm) machine bolts recommended) and tighten securely with lock washers and hex nuts (not included).
- Check the work surface carefully after you mount the sander to make sure that no movement can occur during use. If you notice any tipping, sliding, or walking, secure the work surface to the floor before operating the tool.

**NOTE:** If you plan to transport the sander to different locations, we recommend that you attach it permanently to a mounting board that you can easily clamp to a work surface.

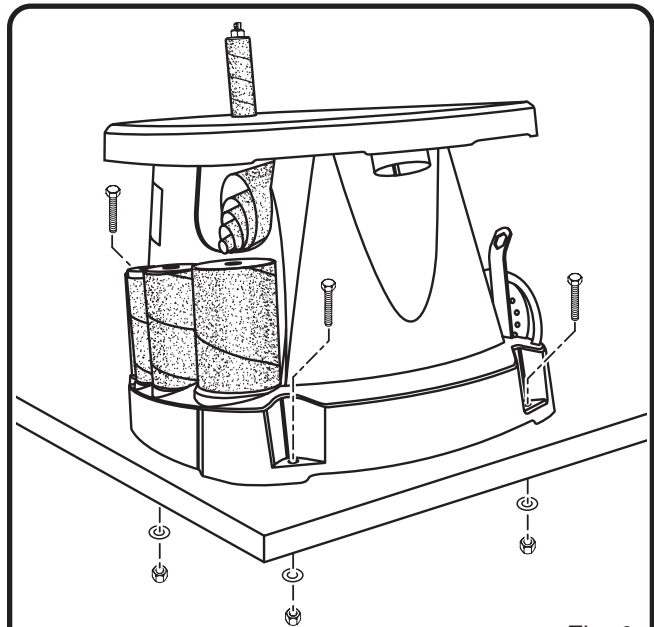


Fig. 6

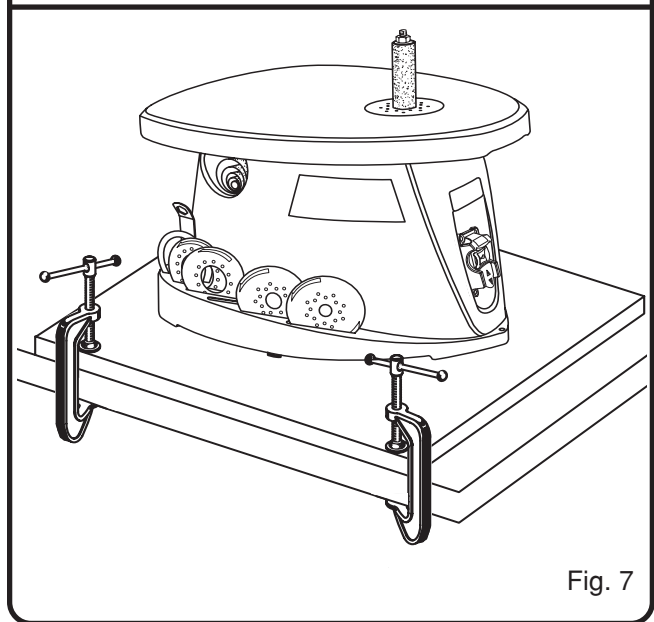


Fig. 7

# OPERATION

## OPERATING THE SANDER

See Figures 8 and 9.

Follow these directions to operate the sander.

- Insert the switch key.
- Turn on the sander by lifting the switch.
- Let the motor build to its full speed.
- Feed the workpiece gradually against the sanding sleeve from right to left.

### **⚠ WARNING:**

Do not let the workpiece contact the sanding sleeve before you turn on the sander and allow it to develop full speed.

### **⚠ WARNING:**

When you feed the workpiece from right to left, the rotation of the sanding sleeve sands against the workpiece. If you feed the workpiece in the opposite direction, the rotation forces of the spinning sanding sleeve tends to bounce the workpiece away from the sanding sleeve. This action could cause you to lose control of the workpiece.

## COLLECTING DUST

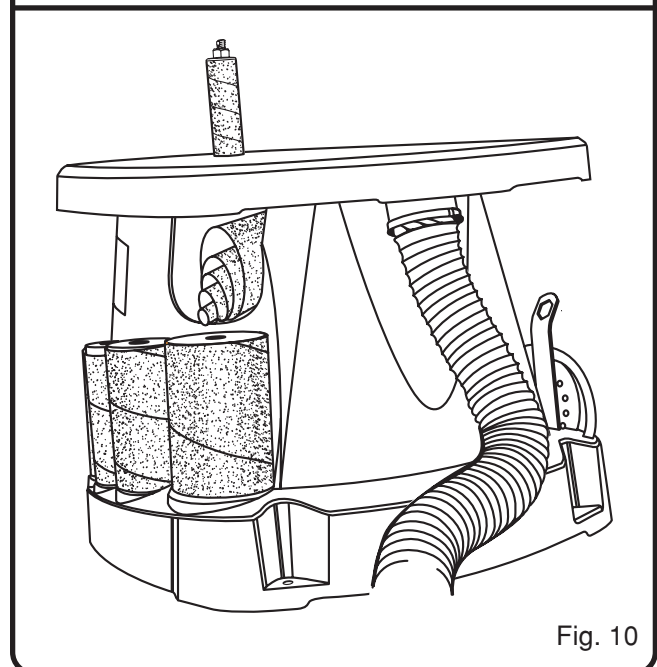
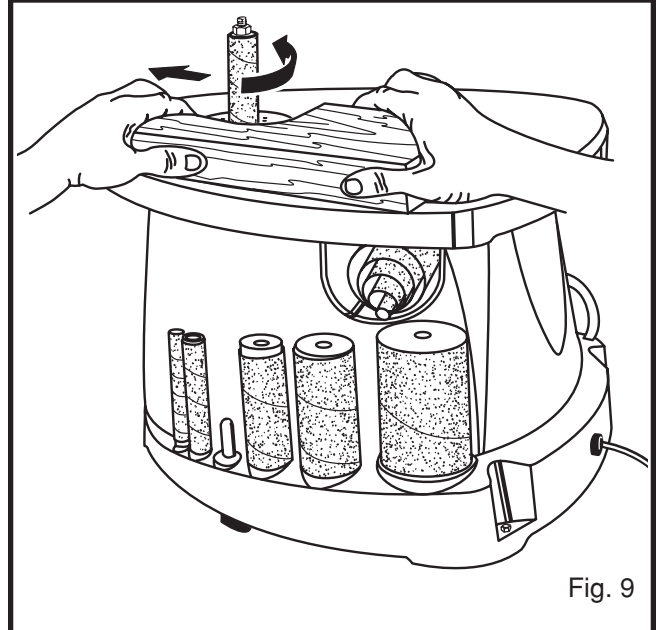
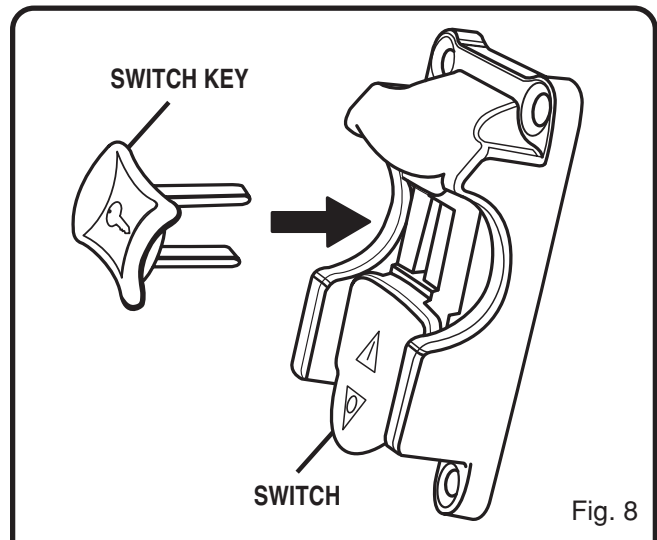
See Figure 10.

A dust exhaust port is provided to help keep dust to a minimum. It is located under the table top on the back of the sander. The end of a standard shop vacuum hose fits tightly inside the dust exhaust port.

Even with a dust collection system, it is important to periodically clean sanding dust from the throat plate area. After extended use, sanding dust builds up under the throat plate and forces its way into the throat plate nest. Sanding dust build up in this area may cause the throat plate surface to rise above the table surface.

## TRANSPORTING THE SANDER

In a portable application, you can lift and carry the sander by the table top. When carrying the sander, be careful not to dislodge the throat plates, wrench, and upper spindle washers from their respective storage areas. Also, be careful not to lose any parts when transporting.



# MAINTENANCE

## **WARNING:**

When servicing use only identical Ryobi replacement parts. Use of any other parts may create a hazard or cause product damage.

## **GENERAL**

Avoid using solvents when cleaning plastic parts. Most plastics are susceptible to damage from various types of commercial solvents and may be damaged by their use. Use clean cloths to remove dirt, carbon dust, etc.

## **WARNING:**

Do not at any time let brake fluids, gasoline, petroleum-based products, penetrating oils, etc. come in contact with plastic parts. They contain chemicals that can damage, weaken, or destroy plastic.

Electric tools used on fiberglass material, wallboard, spackling compounds, or plaster are subject to accelerated wear and possible premature failure, as the fiberglass chips and grindings are highly abrasive to bearings, brushes, commutators, etc. Consequently, we do not recommend that this tool be used for extended work on these types of materials. If, however, you do work with any of these materials, it is extremely important that you clean the tool frequently by blowing it with an air jet.

**NOTE:** Only use this sander for sanding wood and plastics.

## **WARNING:**

Always wear safety goggles or safety glasses with side shields during power tool operation or when blowing dust. If operation is dusty, also wear a dust mask.

## **LUBRICATION**

All the bearings in this tool are lubricated with a sufficient amount of high grade lubricant for the life of the unit under normal operating conditions. Therefore, no further lubrication is required.







## Free Manuals Download Website

<http://myh66.com>

<http://usermanuals.us>

<http://www.somanuals.com>

<http://www.4manuals.cc>

<http://www.manual-lib.com>

<http://www.404manual.com>

<http://www.luxmanual.com>

<http://aubethermostatmanual.com>

Golf course search by state

<http://golfingnear.com>

Email search by domain

<http://emailbydomain.com>

Auto manuals search

<http://auto.somanuals.com>

TV manuals search

<http://tv.somanuals.com>