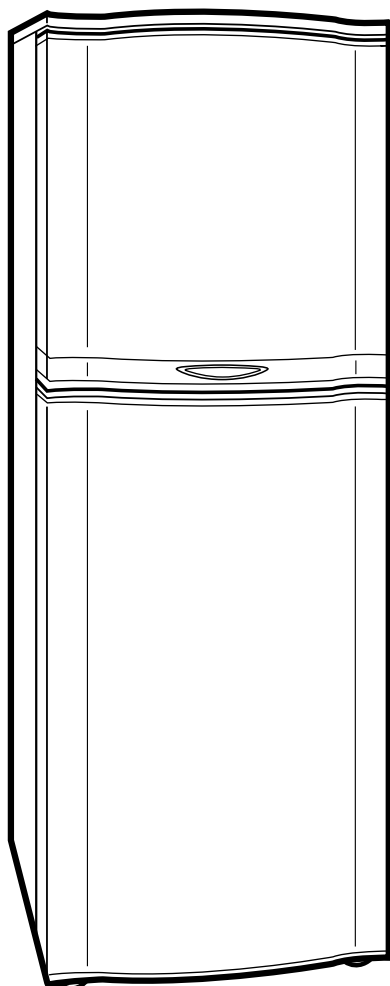


# SHARP



## SJ-25P



REFRIGERATOR-FREEZER  
CHŁODZIARKA -  
ZAMRAŻARKA  
HŰTŐSZEKRENY -  
FAGYASZTÓSZEKRENY  
FRIGIDER-CONGELATOR  
CHLADNICE-MRAZÁK  
CHLADNIČKA-MRAZNIČKA

OPERATION MANUAL .....	3
INSTRUKCJA OBSŁUGI .....	7
KEZELÉSI ÚTMUTATÓ .....	11
MANUAL DE UTILIZARE .....	15
NÁVOD K OBSLUZE .....	19
NÁVOD NA OBSLUHU .....	23

ENGLISH

POLSKI

MAGYAR

ROMÂNĂ

ČESKY

SLOVENSKY

# INTRODUCTION

Thank you very much for buying this SHARP product. Before using your SHARP refrigerator, please read this operation manual to ensure that you gain the maximum benefit from it.

All persons using the cabinet must be thoroughly familiar with its operation and safety features.

Keep this operation manual with the refrigerator if you move or if the cabinet changes owners so that whoever uses it can read about the various features and safety rules.

This equipment complies with the requirements of Directives 96/57/EC, 89/336/EEC and 73/23/EEC as amended by 93/68/EEC.

## Important:

- This refrigerator is for domestic use only, with an ambient temperature between +5°C and +43°C. The refrigerator should not be subjected to temperatures of -10°C for long periods.
- To be used on 220-240V mains voltage.

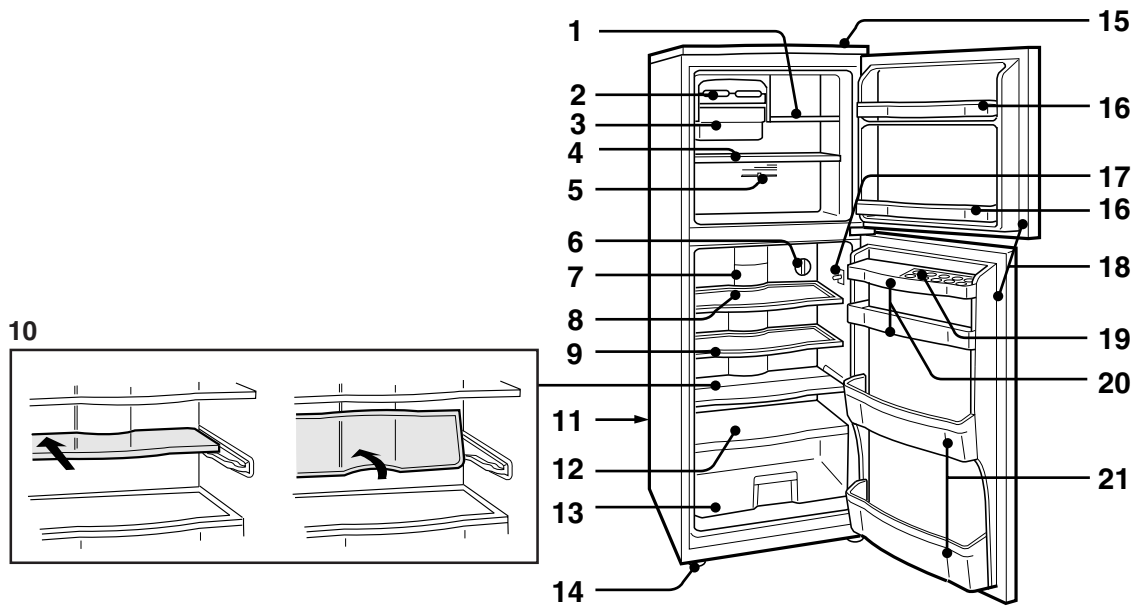
# WARNING

1. This refrigerator is airtight. TO PREVENT FATAL ACCIDENTS TO CHILDREN, please completely remove the door prior to discarding the refrigerator.
2. Highly volatile and inflammable materials such as ether, petrol, propane gas, adhesive agents and pure alcohol etc. are liable to explode. Do not store these materials in the refrigerator.
3. To prevent damage to the outer cabinet, avoid contact with lacquer, and paint, etc.
4. When cleaning your refrigerator, do not splash water directly on the outer cabinet or the interior. This may lead to rusting and deterioration of the electrical insulation.
5. When cleaning any areas adjacent to electrical components or replacing the lamp bulb, unplug the refrigerator first to prevent electric shock.
6. Should electrical components be accidentally immersed in water, unplug the refrigerator, dry the parts and contact your nearest service agent approved by SHARP.
7. When disconnecting the power plug, do not touch the pins of plug. This may cause electric shock.
8. This refrigerator is designed solely for the purpose of storing foodstuff for domestic use in accordance with the instructions given in this manual. Using the refrigerator for other purposes might be harmful to persons or property.
9. This refrigerator is not suitable for the storage of materials requiring precise temperatures. Deterioration of these materials will be dangerous.
10. Dust deposited on the power plug may cause fire. Wipe it off carefully.
11. Do not attempt to change or modify this refrigerator. This may result in fire, electric shock or injury.
12. **Information regarding disposal of the appliance** Flammable insulation blowing gases should be disposed appropriately. Take the cabinet and doors to a recycling plant for flammable insulation blowing gases.

# CAUTION

1. Do not touch the compressor unit, as it can become extremely hot during operation.
2. If the power supply is accidentally disconnected, please wait for at least 5 minutes before re-connecting the power, as back pressure in the compressor may trip the overload relay.
3. Avoid removing food from the freezer with your bare hands. Directly touching products stored at sub-zero temperatures can result in frostbite.
4. To prevent accidental power disconnection, plug the refrigerator directly to the source. Do not use a double adaptor as loss of power could lead to the spoiling of the stored food.
5. Do not place bottles in the freezer as they may crack when frozen.
6. Keep the door securely closed. If the door is left ajar, the controlled inner temperature will rise, resulting in food spoilage and increase in electricity costs.
7. Do not install the refrigerator in a damp or wet location as this may cause damage to the insulation and a leak. Condensation may also build on the outer cabinet and cause rust.
8. When installing or moving the refrigerator, make sure that you do not nip or kink the power cord. Damage of the power cord may cause electric shock or fire.
9. Do not use this refrigerator when the power cord or plug is damaged, or the outlet attachment is loose, as they may cause electric shock or fire.
10. Disconnect from the mains electricity supply by removing the mains plug from the electricity supply socket. Do not remove by pulling the mains lead. This may cause electric shock or fire.
11. Make sure that you leave adequate ventilation space around the refrigerator to prevent the compressor from overheating and stopping. Please follow the instructions given for installation.
12. The refrigeration system behind and inside the refrigerator contains refrigerant. If this system is punctured it could result in serious damage to your refrigerator, therefore do not allow any sharp objects to come into contact with the refrigeration system.
13. Should the flexible supply cord be damaged, it must be replaced by service agent approved by SHARP as a special cord is required.
14. In case of gas leak, ventilate the area by opening a window, etc. Do not touch the refrigerator or the power outlet.
15. Do not place heavy or easily broken objects on top of the refrigerator. Objects may fall when opening or closing the refrigerator, causing injury.
16. Do not place objects containing liquid on top of the refrigerator. Spillage may cause electric shock or fire.
17. Do not drop objects inside the refrigerator or strike the inner wall. This may cause the inner surface to crack.
18. This refrigerator is not intended for use by young children or infirm persons without supervision. Young children should be supervised to ensure that they do not play with the refrigerator.

# DESCRIPTION



1. Freezer shelf (Small)

2. Ice cube maker

3. Ice cube box

4. Freezer shelf (Large)

5. Freezer temp. control knob

6. Refrigerator temp. control knob

7. Light

### Replacing the lamp bulb

Replace the lamp bulb with same type : base E12, MAX 10W, T-20. Make sure that the rated voltage and wattage of the lamp bulb are correct when replacing. (Check the label near the bulb.) When replacing the lamp bulb, unplug the refrigerator first to prevent electric shock.

8. Refrigerator shelf (Small)

9. Refrigerator shelf (Large)

10. Three position adjustable shelf

This shelf has three positions, it can be partly or fully extended or be fully folded away simply by pushing the shelf back then lifting it up.

11. Evaporating pan (rear side)

12. Shelf

13. Fruit and vegetable crisper

14. Adjustable foot

15. Table top

Do not place hot objects on the table top. The table top may melt and deform. The table can resist temperatures up to 100°C.

16. Freezer shelf

17. Light switch

18. Magnetic door seal

19. Egg holder

20. Free pocket

21. Bottle pocket

# INSTALLATION

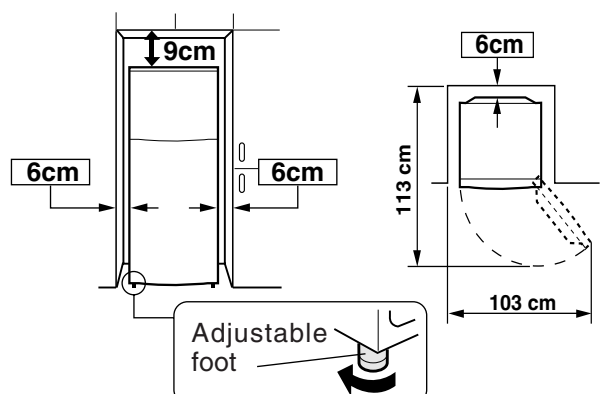
- To ensure adequate ventilation for your refrigerator, it is recommended to provide space of 6cm on both sides and at the back, and space of 9cm above the refrigerator. Insufficient spacing will decrease the cooling efficiency, resulting in unnecessary consumption of electricity.
- Using the front Adjustable foot, ensure that the refrigerator is positioned firmly and level on the floor.

**NOTE:**

- Position your refrigerator so that the plug is accessible.
- Keep your refrigerator out of direct sunlight.
- Do not place next to heat generating appliance.
- Do not place directly on the ground. Provide suitable stand.

### Before using your refrigerator

Clean the inside parts with a cloth soaked in warm water. If soapy water is used, wipe it off thoroughly.



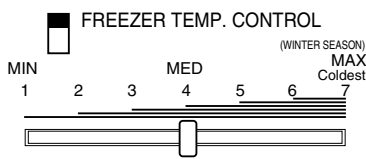
# OPERATION

## CONTROLLING TEMPERATURES

The refrigerator controls its temperature automatically. However, if needed, adjust the temperature as follows.

### Freezer compartment

FREEZER TEMP. CONTROL regulates the quantity of cold air to the freezer.

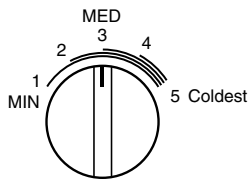


- |   |
|---|
| <b>7(MAX)</b><br>For making ice rapidly or fast freezing.     |
| <b>4(MED)</b><br>For normal freezing.                         |
| <b>1(MIN)</b><br>When frozen food or ice cream is not stored. |

- 7 (MAX) setting directs more cold air to the freezer compartment. (making the freezer compartment colder)
- 1 (MIN) setting directs less cold air to the freezer compartment. (making the freezer compartment less colder)
- If the freezer does not cool even when setting FREEZER TEMP. CONTROL to 7(MAX), set REFRIGERATOR TEMP. CONTROL to 5 (Coldest) as well.

### Refrigerator compartment

REFRIGERATOR TEMP. CONTROL controls the compressor running time of the refrigeration system.



- |   |
|---|
| <b>5(Coldest)</b><br>For keeping foods fresher tasting.<br>When the refrigerator does not provide sufficient cooling. |
| <b>3(MED)</b><br>For normal operation.  |
| <b>1(MIN)</b><br>When the refrigerator provides excessive cooling.  |

- 5 (Coldest) setting will result in colder temperature in the both (refrigerator and freezer) compartments.
- 1 (MIN) setting will result in warmer temperature in the both (refrigerator and freezer) compartments.
- If the refrigerator is operated for a long time with REFRIGERATOR TEMP. CONTROL set at 5 (Coldest), foods stored in the refrigerator compartment may also freeze.
- Low ambient temperature may cause placed foods to freeze even if REFRIGERATOR TEMP. CONTROL is set to 1 (MIN).
- The freezer compartment may not cool sufficiently when leaving REFRIGERATOR TEMP. CONTROL as 1 (MIN) for an extensive period. To cool the freezer compartment properly, set REFRIGERATOR TEMP. CONTROL closer to 5 (Coldest).

## HINTS WHEN MAKING ICE

1. Do not over fill the Ice cube trays; otherwise the ice cubes will be joined together when frozen.
2. When the ice cubes are made, turn the lever clockwise to empty the ice into Ice cube box.

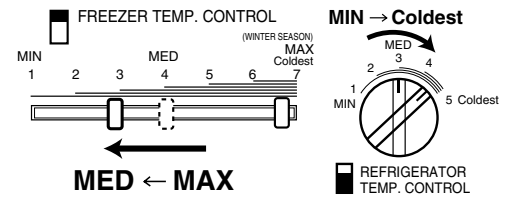
**NOTE:** To prevent damage to the Ice cube box, do not make ice in the Ice cube box or pour oil into it.

## DEFROSTING

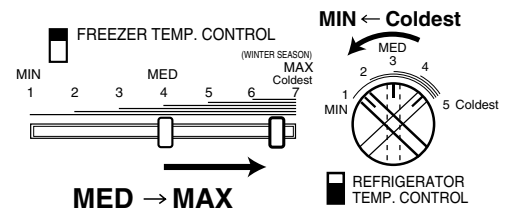
Defrosting is fully automatic due to a unique energy saving system. Whereby the defrost cycle start time is proportional to the running time of your refrigerator compressor, i. e., the less time the refrigerator compressor operates (during the winter season or you're away on holidays), the longer the time between each defrost cycle.

### NOTE:

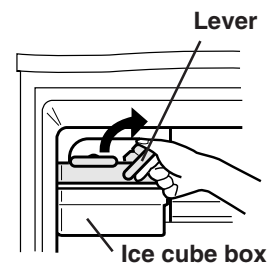
- For hot summer conditions (about over 35°C ambient temperature), set your FREEZER TEMP. CONTROL to less colder than 4(MED) towards 1(MIN). This is because 7(MAX) setting may result in too little air flow to the refrigerator compartment, causing too warm temperature in the refrigerator compartment. And set your REFRIGERATOR TEMP. CONTROL to colder than 3(MED).



- In a cold kitchen (about under 10°C ambient temperature), set your FREEZER TEMP. CONTROL to 7(MAX) to avoid too warm temperature in the freezer compartment. This is because the compressor operation is too short in winter, and not enough cold air is provided to the freezer compartment. And if the foods in the refrigerator compartment freeze, you must set REFRIGERATOR TEMP. CONTROL to less colder setting towards 1(MIN).



- With FREEZER TEMP. CONTROL set to 7(MAX), there will be less cold air directed to the refrigerator compartment, and the refrigerator compartment may not become cold enough.



# STORING FOOD

Refrigeration reduces the rate of food spoilage. To maximize the shelf life of perishable food products, ensure that the food is of the freshest possible quality. The following is a general guide to help promote longer food storage.

## Fruit / Vegetables

To minimize moisture loss, fruit and vegetables should be loosely enclosed in a plastic material e.g. wrap, bags (do not seal) and place in the Fruit and vegetable crisper. Those fruits and vegetables with thick skins e.g. oranges do not require wrapping.

## Dairy Products & Eggs

- Most dairy products have a use by date on the outer packaging which informs the recommended temperature and shelf life of the product.
- Eggs should be stored in the Egg holder.

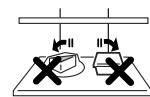
## Meats / Fish / Poultry

- Place on a plate or dish and cover with paper or plastic wrap.
- For larger cuts of meat, fish, or poultry, place to the rear of the shelves.
- Ensure all cooked food is wrapped securely or placed in an airtight container.

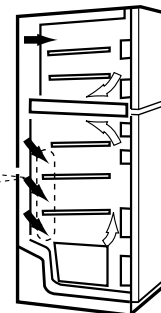
## NOTE:

- Evenly place the food on the shelves to allow the cooling air to circulate efficiently.
- Hot foods should be cooled before storing. Storing hot foods increases the temperature in the unit and increases the risk of food spoilage.
- Do not block the outlet and inlet of the cool air circulating circuit with foods or containers; otherwise the foods will not be evenly cooled throughout the refrigerator.

Do not place food directly in front of cold air outlet. This may lead to the food freezing.



← IN  
→ OUT



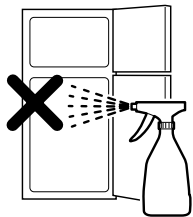
## FOR BEST FREEZING

- Quality of foods should be fresh.
- Freeze small quantities of food at a time to freeze them quickly.
- Food should be properly stored or covered and the air should be removed to seal tightly.
- Evenly place the food in the freezer.
- Label bags or containers to keep an inventory of freezing food.

# CARE AND CLEANING

Some household cleaning chemicals may affect the inside surfaces and plastic shelves resulting in splitting or cracks occurring.

When cleaning all plastic parts inside this refrigerator, only use diluted dishwashing liquid (soapy water). Make sure that all plastic parts are thoroughly rinsed with water after cleaning.



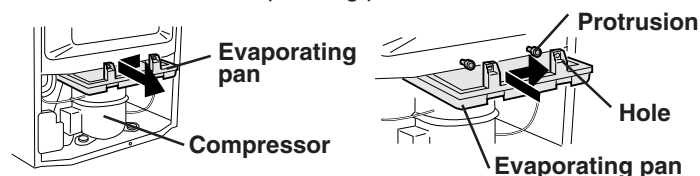
1. Remove the shelves and pockets from the cabinet and door. Wash them in warm soapy dishwashing water; rinse in clean water and dry.
2. Clean the inside with a cloth soaked in warm soapy dishwashing water. Then, use cold water to wipe off soapy water.
3. Wipe the exterior with a soft cloth each time it is soiled.
4. Clean the Magnetic door seal with a toothbrush and warm soapy dishwashing water.
5. Whenever the refrigerator is moved to clean or repositioned, the Evaporating pan should be removed and cleaned.

## NOTE:

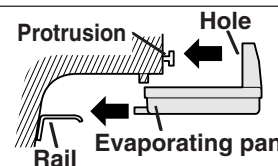
- Do not use polishing powder, benzene, hot water etc.
- If undiluted detergent is used or soapy water is not wiped off thoroughly, cracking of plastic parts can result.
- Wipe any food oils adhered to plastic components as they can cause cracking of the plastic surface.

## Evaporating pan; How to remove/set

Remove or set the Evaporating pan as the arrows indicate.



Please pay attention to the safety since the compressor is very hot. Make sure the back end of the Evaporating pan rests securely on the rail. Otherwise water will leak.



## Switching off your refrigerator

If you switch your refrigerator off when you are going away for an extended period, remove all food, clean the interior thoroughly. Remove the power cord plug from the power socket and leave all doors open.

# WHAT TO DO BEFORE YOU CALL FOR SERVICE

Before you call for service, check the following point.

**IT IS NORMAL** for the refrigerator to produce the following sounds.

- Loud noise produced by the compressor when operation starts --- Sound becomes quieter after a while.
- Loud noise produced once a day by the compressor --- Operating sound produced immediately after automatic defrost operation.
- Sound of flowing fluid (gurgling sound, fizzing sound) --- Sound of refrigerant flowing in pipes (sound may become louder from time to time).

- Cracking or crunching sound --- Sound produced by expansion and contraction of inner walls and internal parts during cooling.
- Squeaking sound --- Sound produced by expansion and contraction of internal parts.

**IT IS NORMAL** that the outside of a cabinet may be hot when touched. The hot pipe is in the cabinet in order to prevent dew generation.

## IF YOU STILL REQUIRE SERVICE

Refer to your nearest service agent approved by SHARP.

**SHARP CORPORATION**  
**OSAKA, JAPAN**

## Free Manuals Download Website

<http://myh66.com>

<http://usermanuals.us>

<http://www.somanuals.com>

<http://www.4manuals.cc>

<http://www.manual-lib.com>

<http://www.404manual.com>

<http://www.luxmanual.com>

<http://aubethermostatmanual.com>

Golf course search by state

<http://golfingnear.com>

Email search by domain

<http://emailbydomain.com>

Auto manuals search

<http://auto.somanuals.com>

TV manuals search

<http://tv.somanuals.com>