



SIERRA UV360FP OUTDOOR GAS FIREPLACE

INSTALLATION AND OPERATING INSTRUCTIONS



WARNING: If the information in this manual is not followed exactly, a fire or explosion may result causing property damage, personal injury, or loss of life.

- Do not store gasoline or other flammable vapors and liquids in the vicinity of this or any other appliance.
- **WHAT TO DO IF YOU SMELL GAS**
 - Do not try to light any appliance.
 - Do not touch any electrical switch; do not use any phone in your building.
 - Immediately call your gas supplier from a neighbor's phone. Follow the gas supplier's instructions.
 - If you cannot reach your gas supplier, call the fire department.
- Installation and service must be performed by a qualified installer, service agency, or the gas supplier.

WARNING: This gas fireplace is approved for outdoor installation only.



DESIGN CERTIFIED TO CSA 4.96 U.S. (2nd ED.)
OUTDOOR GAS FIREPLACE



Save this manual for future reference.

SAFETY INFORMATION

Appliance for Use with Propane Gas: Propane gas has no odor. An odor-making agent is added to the gas. The odor aids you in detecting a gas leak. However, the odor added to the gas can fade. Gas may be present even though no odor exists.

Use only propane gas. Do not convert the fireplace to use different fuel type.

Do not place propane supply tank(s) inside any structure. Locate propane supply tank(s) outdoors.

Make certain you read and understand all Warnings. Keep this manual for reference. It is your guide to safe and proper operation of this fireplace

WARNING: Any changes to this fireplace or its controls can be dangerous.

General Safety Concerns

1. If you smell gas
 - shut off gas supply
 - do not try to light any appliance
 - do not touch any electrical switch; do not use any phone in your building
 - immediately call your gas supplier from a neighbor's phone. Follow the gas supplier's instructions
 - if you cannot reach your gas supplier, call the fire department
2. This fireplace shall not be installed inside a home
3. Never install the fireplace
 - in a recreational vehicle
 - where curtains, furniture, clothing, or other flammable objects are less than 36 inches from the front, top, or sides of the fireplace.
 - in high traffic areas
 - in windy or drafty areas
4. Do not use this fireplace as a wood-burning fireplace. This will void all warranties.
5. Do not add extra logs or ornaments such as pine cones, vermiculite, or rock wool. Using these added items can cause sooting.
6. You must operate this fireplace with the fireplace screen fully closed. Make sure fireplace screen is in place before operating the fireplace.
7. This fireplace is designed to be smokeless. If logs appear to smoke, turn off fireplace and call a qualified service person. *Note:* During initial operation, slight smoking will occur due to log curing and fireplace burning manufacturing residues.
8. Avoid operating fireplace in high wind conditions. This will alter flames and cause sooting and improper burning. Sooting can discolor surfaces outside the fireplace.
9. This fireplace needs fresh air ventilation to run properly. Do not limit fresh air to front of fireplace.
10. Do not run fireplace where flammable liquids or vapors are used or stored

11. Do not use this fireplace to cook food or burn paper or other objects.
12. Never place any objects in the fireplace or on logs.
13. Fireplace front and screen become very hot when running fireplace. Keep children and adults away from hot surfaces to avoid burns or clothing ignition. The fireplace will remain hot for a time after shut down. Allow surfaces to cool before touching.
14. Carefully supervise young children when they are near the fireplace.
15. Do not use fireplace if any part has been exposed to or under water. Immediately call a qualified service technician to inspect the fireplace and to replace any part of the control system and gas control which has been under water.
16. Turn fireplace off and let cool before servicing. Only a qualified service person should service and repair the fireplace.
17. Operating the fireplace above elevations of 2,500 feet may require derating for proper operation. Contact your local dealer for additional information.

UNPACKING

1. Remove trim kit and prefab firebox from the carton. Remove protective plastic wrap and separately wrapped items. You may not want to remove protective plastic on brass plated front components of the fireplace until after installing.
2. Check all items for any shipping damage. If damaged, promptly inform the dealer where you bought the fireplace.
3. Be sure to account for all parts as followed:

<u>Qty.</u>	<u>Description</u>
1	Pre-built Fireplace
1	Burner Assembly (Installed)
1	Bag lava rock
1	Carton Logs - 6 pcs.

WARNING: If the area in which the heater may be operated is smaller than that defined as an unconfined space, provide adequate combustion and ventilation air by one of the methods described in the National Fuel Gas Code, ANSI Z223.1 Section 5.3 or applicable local codes.

Follow the *National Fuel Gas Code NFPA 54/ANSI Z223.1* regarding gas piping and connections. Local codes may have stricter requirements. Check with local building officials for specifics.

INSTALLING

Installation and repair should be done by a qualified service person. The appliance should be inspected before use and at least annually by a professional service person. More frequent cleaning may be required due to excessive lint from carpeting, bedding material, etc. It is imperative that control compartments, burners and circulating air passageways of the appliance be kept clean.

- WARNING: Never install the fireplace**
- in a recreational vehicle
 - where curtains, furniture, clothing, or other flammable objects are less than 36 inches from the front, top, or sides of the fireplace.
 - in high traffic areas
 - excessively windy or drafting areas

SELECTING LOCATION

To determine the safest and most efficient location for your fireplace, you must take into consideration the following guidelines:

1. The location must allow proper clearances (see *Installation Clearances* section)
2. Consider a location where burner would be least effected by high winds and away from doors and windows.
3. Select a location away from high traffic areas. Be sure to take into consideration access to the fireplace for service and repair.

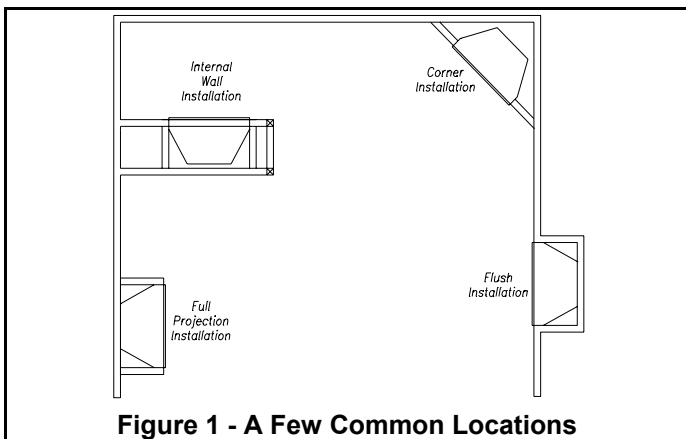


Figure 1 - A Few Common Locations

A **flush installation** is recommended where space is limited or at a premium. Check local codes for any restrictions.

Projected installations can extend any distance into the room. A projection may be ideal for a new addition on an existing, finished wall.

Cornered installations make use of space that may not normally be used and provides a wider and more efficient range for heat dispersment.

An **internal wall installation** provides a discreet option

for area separation and can also be ideal as an addition to an existing wall.

IMPORTANT: Make sure the fireplace is level. If the fireplace is not level moisture may collect in areas causing corrosion.

CHECK GAS TYPE

Verify the gas type used in your home. Make certain your gas log is marked for the proper gas type. If the gas type is incorrect, call the dealer where you bought the fireplace for a proper type gas log.

INSTALLATION CLEARANCES

WARNING: Maintain the minimum clearances. If you can, provide greater clearances from floor, ceiling, and adjoining wall.

Carefully follow the instructions below. This will ensure safe installation.

Minimum Wall and Ceiling Clearances

- A. Clearances from the back and sides of outer surround of the fireplace to any combustible area should not be less than 1/2 inches.
- B. Clearances from the side of the fireplace opening to any combustible wall should not be less than 14 inches for a standard mantel or 12 inches for a corner installation.
- C. Clearances from the top of the fireplace opening to the ceiling should not be less than 42 inches.

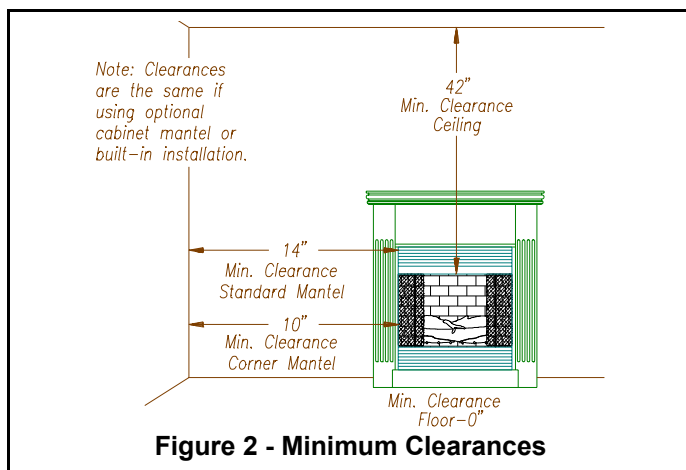


Figure 2 - Minimum Clearances

Clearances and projections front of fireplace

Woodwork, such as wood trims, mantels and other combustible material, must be installed as tested per figures 7 and 8, page 8.

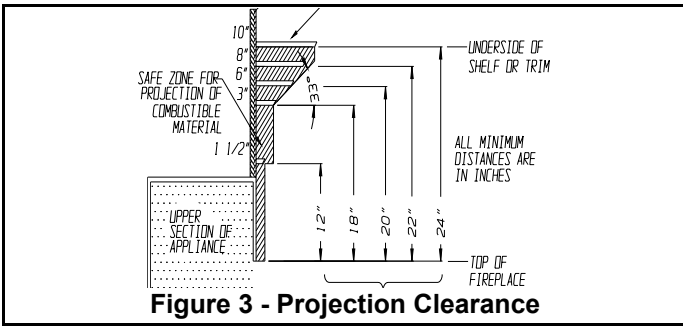


Figure 3 - Projection Clearance

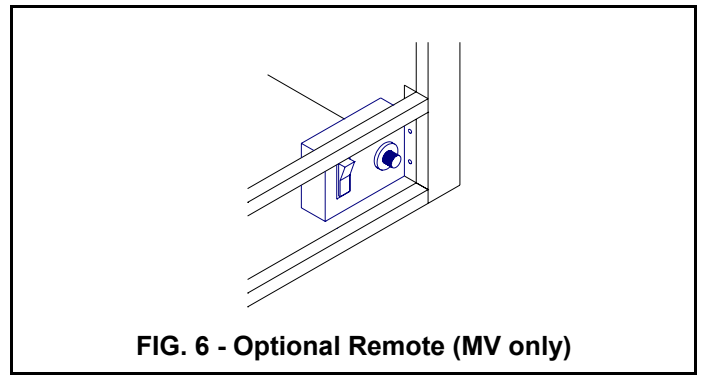


FIG. 6 - Optional Remote (MV only)

OPTIONAL REMOTE CONTROL UNIT

Note: Be sure to read the instructions included with remote control unit prior to installing.

1. Install the remote control unit into remote control bracket and using (2)#8 Phillips screws. Be sure that the word "TOP" is on the left-hand side of the unit. Tighten screws to a point where 2-3 threads are visible from the rear of the bracket. This will allow enough clearance for the remote cover to slide onto unit. If unit is loose, tighten screws slightly until unit is snug with cover on. (**Fig 6.**)
2. Install remote switch onto remote unit.
3. Open hinged lower panel by releasing catch. Attach remote assembly to inside left side of the fireplace. Remote assembly can be secured to wall using (2)#8 Phillips screws (**Fig 7**).

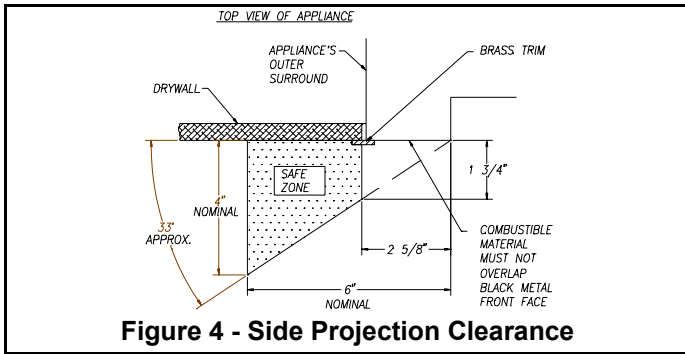


Figure 4 - Side Projection Clearance

ATTACHING OPTIONAL TRIM

1. Attach the top SS trim piece onto fireplace cabinet by loosening existing (3) #8 Phillips screws, slide trim into place, then tightening down screws.
2. Attach the (2) side SS trim pieces onto the fireplace in the same manner as the top piece. Note: Be sure the angled edges fit against top trim piece.

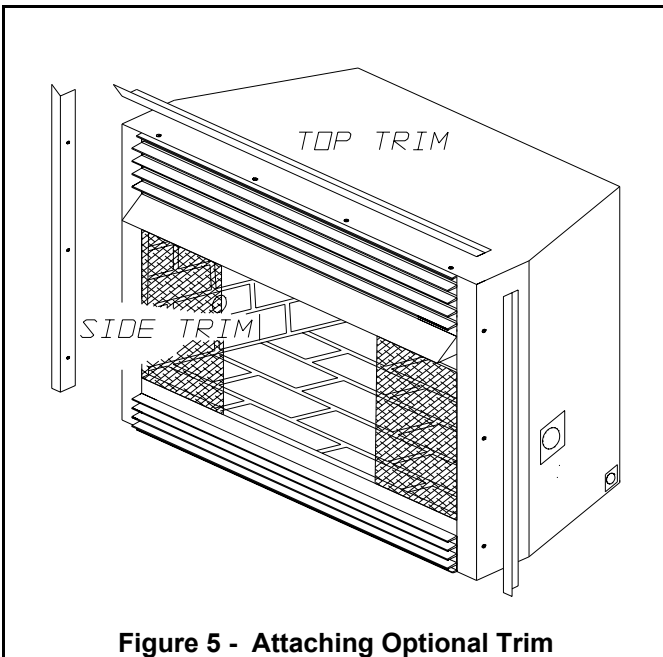


Figure 5 - Attaching Optional Trim

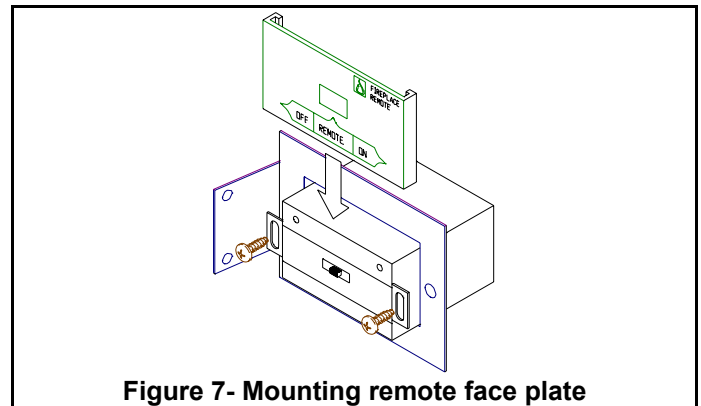


Figure 7 - Mounting remote face plate

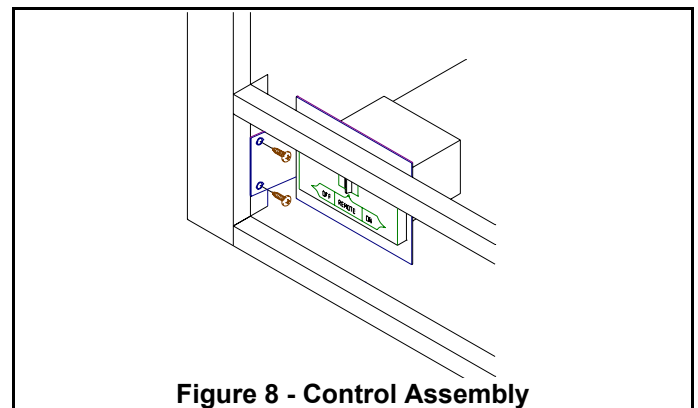


Figure 8 - Control Assembly

BUILT-IN FIREPLACE INSTALLATION

Built-in installation of this fireplace involves installing a fireplace into a framed-in enclosure. This makes the front of the fireplace flush with the wall. Best outdoor enclosure construction includes metal stud with tile or concrete board as an overlay. Additions of ceramic tile and acrylic stucco finishes provide good service. To install the fireplace in this manner, use the following instructions:

Framing

1. Construct framing using dimensions, shown in figures 13 through 15, depending on your particular installation.

<i>UV36OFP Fireplace</i>	<i>Actual</i>	<i>Framing</i>
Height	32 3/8"	33"
Front Width	36"	36 1/2"
Depth	18 1/2"	19"

If the fireplace is to be installed directly on carpeting, tile (other than ceramic), or any combustible material other than wood flooring; the fireplace must be installed upon a metal or wood panel extending the full width and depth of the fireplace.

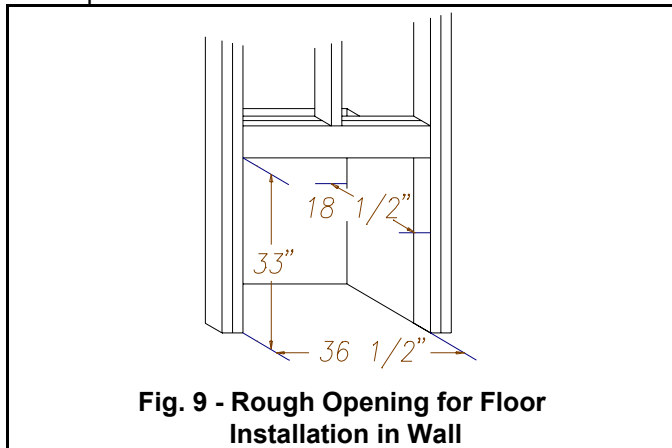


Fig. 9 - Rough Opening for Floor Installation in Wall

If a raised platform is to be constructed, ceiling clearances must be maintained (refer to section on clearances, page 4).

If installing in a corner, use dimensions shown in figure 9 for the rough opening. The height is 33" which is the same as the wall openings, page 5.

2. Install gas piping to fireplace location. This installation includes an approved flexible gas line (if allowed by local codes) after the manual shutoff valve. The flexible gas line must be the last item installed on the gas piping. See *Installing Gas piping to Fireplace Location*, page 6.

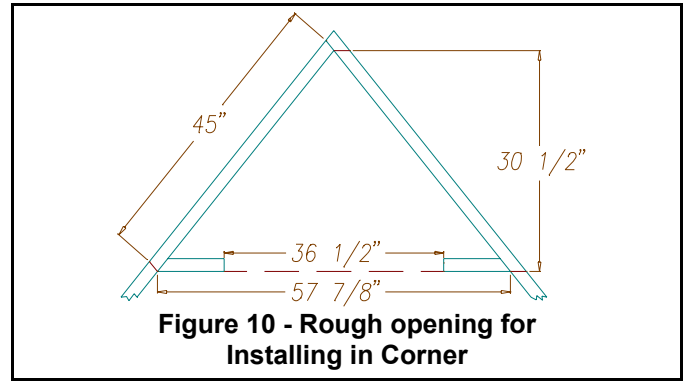


Figure 10 - Rough opening for Installing in Corner

- Carefully set fireplace in front of rough opening with back of fireplace inside wall opening.
- Attach flexible gas line to fireplace gas valve. See *Connecting Fireplace to Gas Supply*, page 6.
- Carefully insert fireplace into rough opening.
- (Optional)** Attach fireplace to framing using wood screws through holes located on interior sides of the fireplace (See Figure 11).
- Check all gas connections for leaks. See *Checking Gas Connections*, page 6.

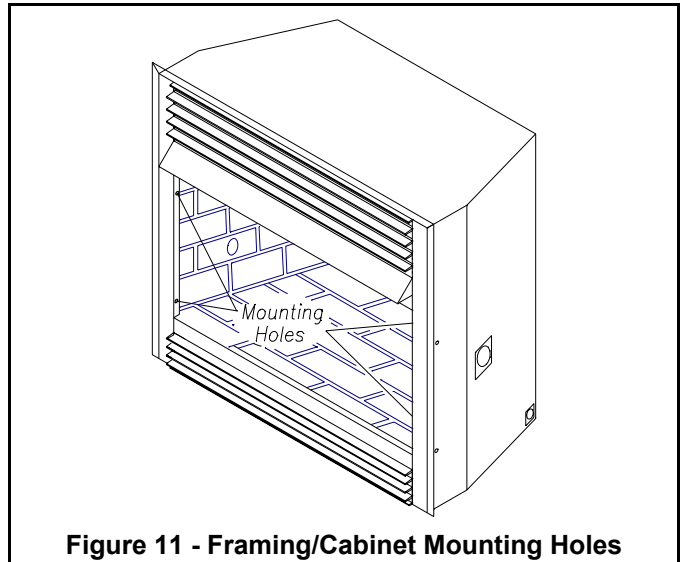


Figure 11 - Framing/Cabinet Mounting Holes

INSTALLING GAS PIPING TO FIREPLACE LOCATION

NOTICE: A qualified person must connect fireplace to gas supply. Follow all local codes.

CAUTION: Never connect heater directly to the propane supply. This heater requires an external regulator(not supplied). Install the external regulator between the heater and propane supply.

Installation Items Needed

Before installing the fireplace, make sure you have the items listed below.

- external regulator LP gas only (supplied by installer)
- piping (check local codes)
- sealant (resistant to propane gas)
- manual shutoff valve*
- test gauge connection*
- sediment trap
- tee joint
- pipe wrench
- approved flexible gas line with gas connector (if allowed by local codes) (not provided)

* An CSA design-certified manual shutoff valve with 1/8" NPT tap is an acceptable alternative to test gauge connection. Purchase the optional CSA design-certified manual shutoff valve from your dealer.

For LP gas installations, the Installer must supply an external regulator. The external regulator will reduce incoming gas pressure. You must reduce incoming gas pressure to between 11 and 14 inches of water. If you do not reduce incoming gas pressure, heater regulator damage could occur. Install external regulator with the vent pointing down as shown in **figure 12**. Pointing the vent down protects it from freezing rain or sleet.

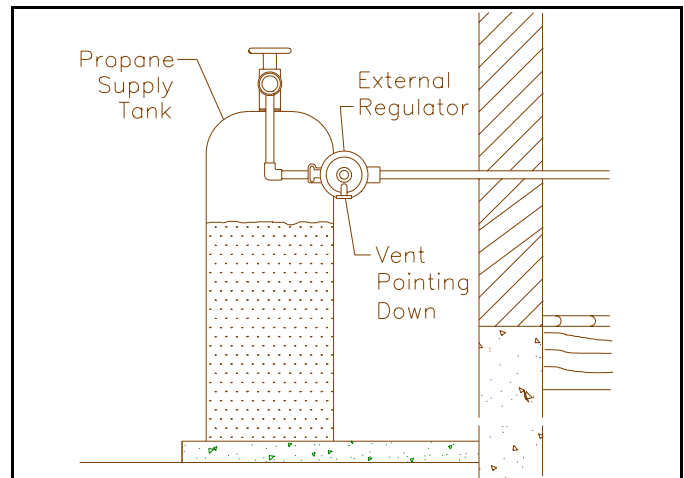


Figure 12 - External Regulator with Vent Pointing Down

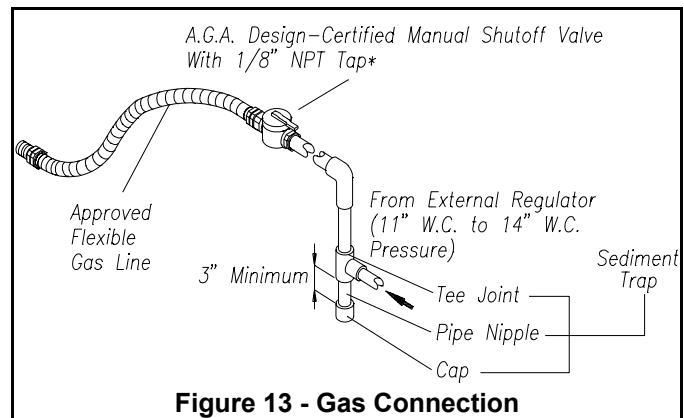


Figure 13 - Gas Connection

CAUTION: Use only new, black iron or steel pipe. Internally-tinned copper tubing may be used in certain areas. Check your local codes. Use pipe of 1/2" diameter or greater to allow proper gas volume to fireplace. If pipe is too small, undue loss of pressure will occur.

Installation must include a manual shutoff valve, union, and plugged 1/8" NPT tap. Locate NPT tap within reach for test gauge hook up. NPT tap must be upstream from fireplace (see figure 13).

Check your building codes for any special requirements for locating manual shutoff valve to fireplaces. Apply pipe joint sealant lightly to male threads. This will prevent excess sealant from going into pipe. Excess sealant in pipe could result in clogged fireplace valves.

CAUTION: Use only pipe joint sealant that is resistant to liquid petroleum (LP) gas.

Install sediment trap in supply line as shown in figure 13.

locate sediment trap where it is within reach for cleaning. Locate sediment trap where trapped matter is not likely to freeze. A sediment trap traps moisture and contaminants. This keeps them from going into fireplace gas controls. If sediment trap is not installed or is installed wrong, the fireplace may not run properly.

CONNECTING FIREPLACE TO GAS SUPPLY

NOTE: Before you proceed, make sure gas supply is turned off.

Installation Items Needed

- Pipe wrenches
 - sealant (resistant to propane gas, not provided)
1. Open front access panel and locate gas shut off valve upstream from control valve.
 2. Prepare to route incoming gas line into firebox (**Figure 13**).

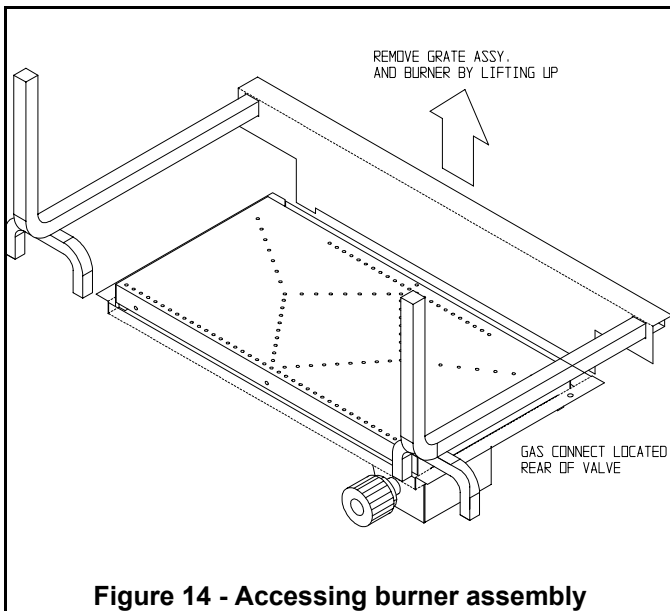


Figure 14 - Accessing burner assembly

3. Remove the gas line cover plate from the fireplace's outer surround at the location to be used. Remove insulation from inside the gas line conduit sleeve. Run gas line through until the regulator can be reached.
4. Apply pipe sealant lightly to male threads of gas connector attached to flexible gas line (see figure 15). Connect flexible gas line to flexible gas line attached to gas inlet gas valve of fireplace. (Fig 14).

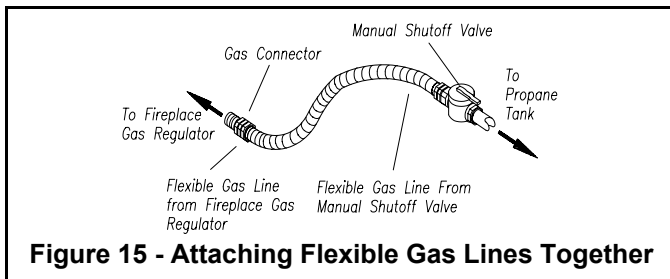


Figure 15 - Attaching Flexible Gas Lines Together

5. Check all gas connections for leaks. See *Checking Gas Connections*, below.
6. Place log base assembly completely into the fireplace.

CHECKING GAS CONNECTIONS

WARNING: Test all gas piping and connections for leaks after installing or servicing. Correct all leaks at once.

WARNING: Never use an open flame to check for a leak. Apply a mixture of liquid soap and water to all joints. Bubbles forming show a leak. Correct all leaks at once.

Pressure Testing Gas Supply Piping System Test Pressures in Excess of ½ PSIG

1. Disconnect the fireplace and its individual manual shutoff valve from gas supply piping system. Pressures in excess of ½ psig will damage the fireplace gas regulator.
2. Cap off the open end of gas pipe where manual shutoff valve was connected.
3. Pressurize supply piping system by either using compressed air or opening main gas valve located on or near gas meter.
4. Check all joints of gas supply piping system. Apply a mixture of liquid soap and water to gas joints. Bubbles forming show a leak.
5. Correct all leaks at once.
6. Re-connect fireplace and manual shutoff valve to gas supply. Check re-connected fittings for leaks.

Test Pressures Equal to or Less Than ½ PSIG

1. Close manual shutoff valve (see Figure 16)
2. Pressurize supply piping system by either using compressed air or opening propane supply tank valve.
3. Check all joints from propane supply tank (see fig 24). Apply a mixture of liquid soap and water to gas joints. Bubbles forming show a leak.
4. Correct all leaks at once.

Pressure Testing Fireplace Gas Connections

1. Open manual shutoff valve (see figure 16).
2. Open propane supply tank valve.
3. Make sure control knob of fireplace is in **OFF** position.

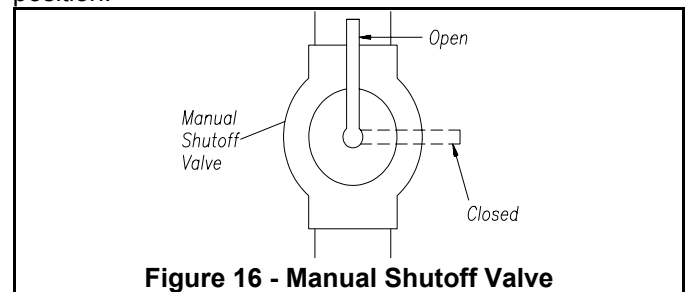


Figure 16 - Manual Shutoff Valve

4. Check all joints from manual shutoff valve to gas valve (see Figure 17). Apply a mixture of liquid soap and water to gas joints. Bubbles forming show a leak.
5. Correct all leaks at once.
6. Light the fireplace (see *Operating Instructions*). Check all other internal joints for leaks.
7. Turn off the fireplace (see *Operating Instructions*).

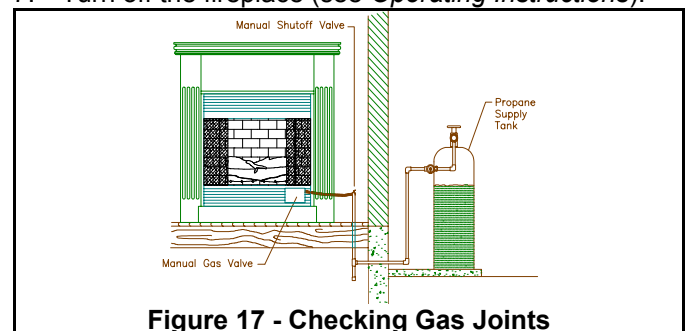


Figure 17 - Checking Gas Joints

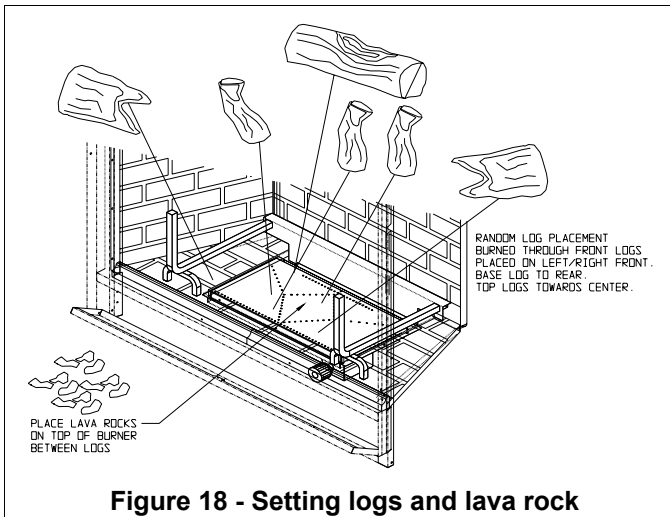


Figure 18 - Setting logs and lava rock

PLACING LOGS AND LAVA ROCKS

Assemble ceramic logs by placing the large base log to the rear of grate assembly (**Figure 18**). Add front logs with “burned through” features to front left and right. Place lava rocks on center of burner. Stack top logs vertically in center of log stack. Adjust as required to provide realistic flame.

(Warning: If flames get trapped under logs the result will be black soot on logs and front face of fireplace. Take extra care to adjust logs to correct this condition).

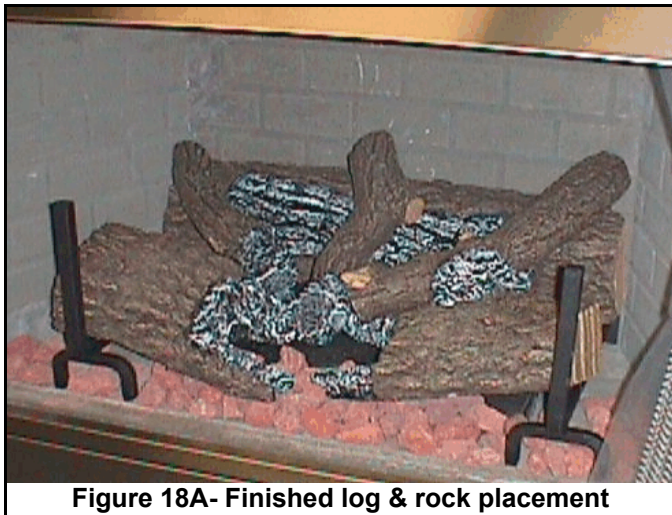


Figure 18A- Finished log & rock placement

OPERATING YOUR NEW APPLIANCE

When the appliance is being operated for the first time, allow for a supervised burn of 30 minutes. Then shut the appliance off and let it cool completely before relighting. This allows proper curing time for the logs. (After several hours the logs will discolor slightly, this is normal.)

MAINTENANCE

It is recommended that a competent serviceman perform the following procedures at least annually;

WARNING: Any change to this fireplace or its components can be dangerous. Any safety screen or guard removed from fireplace for servicing must be replaced prior to operating the heater. At the beginning of each heating season, have a qualified technician inspect the

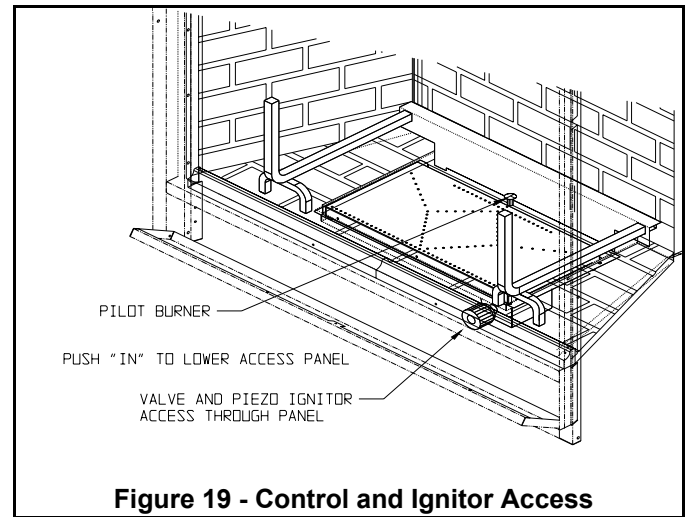


Figure 19 - Control and Ignitor Access

burner and pilot burner area for dust or carbon build-up. This may be removed from the burner or logs with a soft bristle brush. A visual inspection of the pilot burner and main burner flame should be performed to verify proper operation, refer to operating instructions for proper adjustment. Care should be taken when cleaning and handling logs since they become brittle with use. Small heat cracks in the logs do not affect the operation of the log set.

Cleaning Stainless Steel

General cleaning may be accomplished by using a household cleaning solution and warm water. The exterior may be cleaned using the same method. Badly soiled or tarnished areas can be clean using a “scotch brite” pad. Always scrub in same direction of material finish.

Do not use caustic cleaners on fireplace as it may cause damage to control and electric components.

CUSTOMER SERVICE & PARTS REPLACEMENT:

Parts and accessories may be purchased from your local dealer or directly from Sierra Products, Inc. Orders will be accepted by mail, or you may call your order in Monday through Friday from 1:00 p.m. to 5:00 p.m. (Pacific Standard Time) at: (909) 399-3355.

Please, fill in the following information for future reference and warranty verification;

Date of Purchase _____ 20 ____

Model # _____

Serial # _____

TROUBLE SHOOTING

If pilot or main burner will not light:

- 1) Make certain gas supply is turned "ON."
- 2) Make certain all air is bled from system.
- 3) Make certain you have followed the safety and operating instructions.
- 4) Call a qualified repair person to inspect the appliance.
- 5) When high winds are present, as a safety feature the pilot burner will not stay lit. Do not operate in high winds.

OPERATING INSTRUCTIONS FOR MANUAL SAFETY VALVE

FOR YOUR SAFETY READ BEFORE LIGHTING


WARNING: If you do not follow these instructions exactly, a fire or explosion may result causing property damage, personal injury or loss of life.

- A. This appliance has a pilot which must be lighted by hand. When lighting pilot follow these instructions exactly.
- B. **BEFORE LIGHTING** smell all around the appliance area for gas. Be sure to smell next to the floor because some gas is heavier than air and will settle on the floor.


WHAT TO DO IF YOU SMELL GAS;

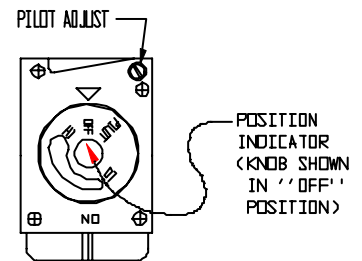
- Do not try to light any appliance.
 - Do not touch any electric switch; do not use any phone in your building.
 - Immediately call your gas supplier from a neighbor's phone. Follow the gas supplier's instructions.
 - If you cannot reach your gas supplier, call the fire department.
- C. Use only your hand to push in or turn the gas control knob, **NEVER** use tools. If the knob will not push in or turn by hand don't try to repair it, call a qualified service technician. Force or attempted repair may result in fire or explosion.
 - D. Do not use this appliance if any part has been under water. Immediately call a qualified service technician to inspect the appliance and to replace any part of the control system and any gas control which has been underwater.

LIGHTING INSTRUCTIONS

1. **STOP!** Read the safety information above before proceeding.
2. Push in gas control knob slightly and turn clockwise  to "OFF".

NOTE: Knob cannot be turned unless pushed in slightly. Do not force.

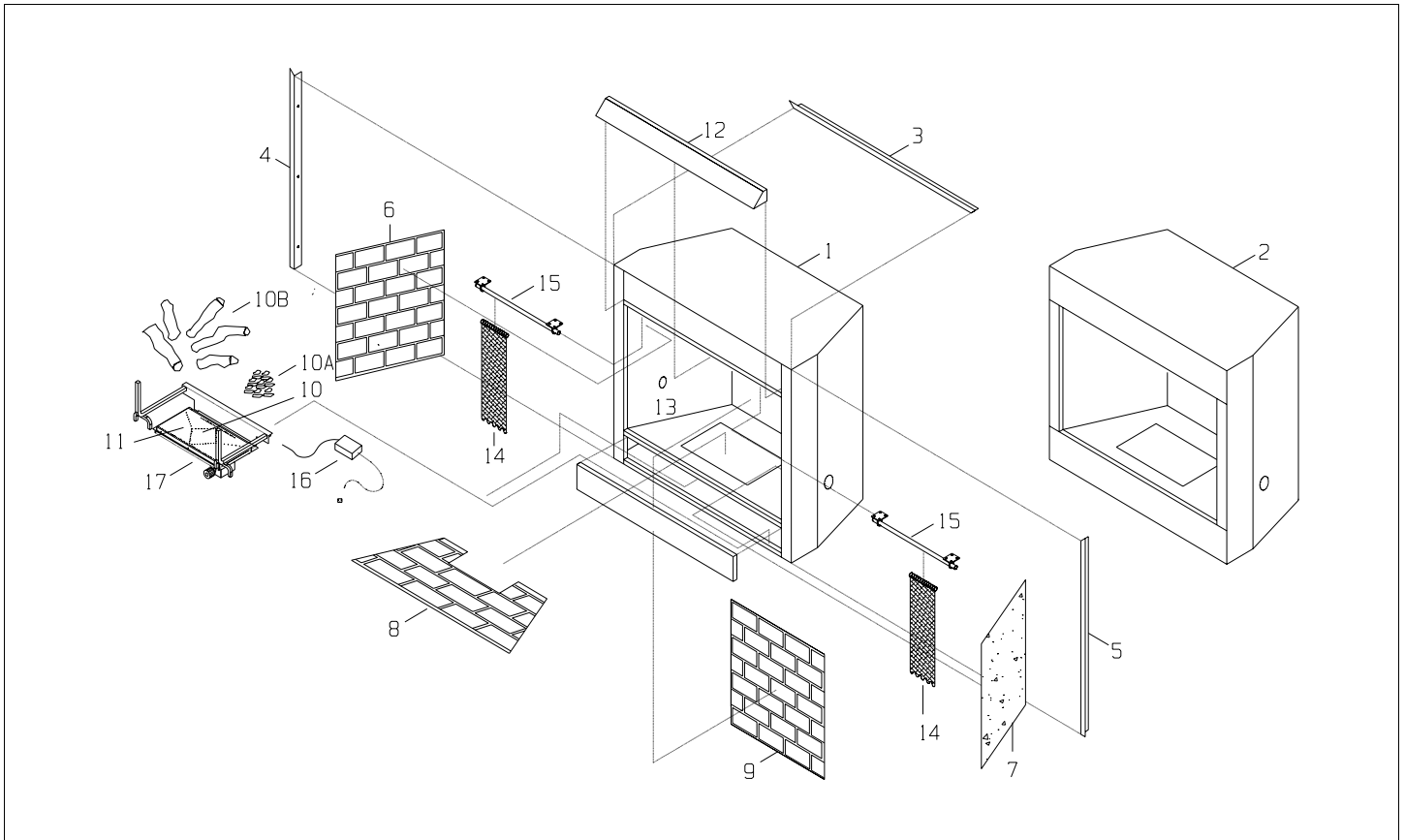
3. Wait five (5) minutes to clear out any gas. If you then smell gas, **STOP!** Follow "B" in the safety information above. If you don't smell gas, go to next step.
4. Locate the pilot burner on the back side of burner.
5. Turn knob counter clockwise to Pilot. Push control knob all the way in and hold in, immediately lighting the pilot with a match. Continue to hold the control knob in for about 1-1/2 minutes after the pilot is lit. Release knob and it will pop back up. Pilot should remain lit. If it goes out, repeat steps 2 through 5.
 - If knob does not pop up when released, stop and immediately call your service technician or gas supplier.
 - If the pilot will not stay lit after several tries, turn the gas control knob to "OFF" and call your service technician or gas supplier.
6. Turn gas control knob counterclockwise  to "HI".



FOR YOUR SAFETY, KEEP FIRE SCREENS CLOSED WHILE IN OPERATION .

TO TURN OFF APPLIANCE

1. Push in gas control knob slightly and turn clockwise  to "OFF". Do not force.
2. Close access door.



Item	Qty	Description	P/N	Item	Qty	Description	P/N
1	1	Outer Surround	202181	11	1	Venturi w/ gasket	110299
2	1	Firebox	202183	12	1	Fireplace Hood SS	200740
3	1	SS Optional Trim (top piece)	200760	13	1	Access Door SS	202185
4	1	SS Optional Trim (left hand)	200761	14	2	Fireplace Screen	110388
5	1	SS Optional (right hand)	200762	15	2	Fireplace Screen Rod	200746
6	1	Refractory Left Side	200749	16	1	Remote Control - (MV Assy)	10649
7	1	Refractory Right Side	200753	17a	1	Natural Gas Control Assy.	300518
8	1	Refractory Hearth	202184	17b	1	LPG Gas Control Assy.	300519
9	1	Refractory Rear	200754	NS	1	Access Door Catch Assy.	110516
10	1	SS Burner	300517				
10a	1	Large Lava Rocks -3 lbs	300520				
10b	1	Log Set - 6 pcs	300521				



5061 Brooks St., Ste B Montclair, CA 91763
www.sierraproductsinc.net



SIERRA OUTDOOR GAS FIREPLACE LIMITED THREE & ONE, YEAR LIMITED WARRANTY

Sierra Products, Inc. (SPI), warrants to the original consumer this stove will be free of defective materials and workmanship for the following periods: *Outer structure - Outer Structure, Interior metal construction - Three Years, All other items - One Year* from the date of purchase. This warranty does not extend to any parts worn or damaged through normal wear, abuse, accident, or neglect or warpage due to over-firing; nor does it apply if the stove has been repaired or modified unless by SPI written authorization. If the stove proves to be defective in material or workmanship within the warranty period, SPI will, at no charge, repair or replace (at its option) any defective parts, if the purchaser ships the parts or the stove, freight prepaid, to SPI or the nearest authorized service center. SPI may require the consumer to supply reasonable proof of the stove's purchase date.

This warranty is in lieu of any other express warranty. Any implied warranties, including but not limited to any implied warranty of merchantability or fitness for a particular purpose shall not extend beyond one year from the date of purchase.

The purchaser's sole and exclusive remedy shall be for the repair or replacement of defective parts, as provided for in this warranty. No other remedy (including but not limited to incidental or consequential damages for lost profits, lost sales, injury to person or property, or other incidental or consequential loss) shall be available to the purchaser.

Some states do not allow limitations on how long an implied warranty lasts and some states do not allow the exclusion or limitation of incidental or consequential damages, so the above limitations or exclusions may not apply to you.

SPI's warranty obligation and the purchaser's rights under it can be altered only by a subsequent written agreement between SPI and the purchaser.

The remedies provided in this warranty are void unless the attached warranty registration card is received by SPI within 30 days from the date of purchase.

If you have a warranty claim or questions about the performance of your stove, you are requested to contact your dealer.

This warranty gives you specific legal rights, and you may also have other rights which vary from state to state.

Please fill out and return the bottom half of the page to:
SIERRA PRODUCTS, INC.
5061 Brooks St, Ste. B
Montclair, CA 91763

**Fill out &
return within
30 days.**



Sierra Outdoor Gas Fireplace Warranty Card



Model # _____

Serial # _____

Date Purchased ____/____/____

Name _____

Dealer Name _____

Address _____

City/State _____ Zip _____

City/State _____ Zip _____

Mail form to: Sierra Products, Inc.
5061 Brooks St., Ste. B
Montclair, CA 91763
Att: Customer Service

I have read and understand the above warranty agreement.

Owner's Signature _____

Free Manuals Download Website

<http://myh66.com>

<http://usermanuals.us>

<http://www.somanuals.com>

<http://www.4manuals.cc>

<http://www.manual-lib.com>

<http://www.404manual.com>

<http://www.luxmanual.com>

<http://aubethermostatmanual.com>

Golf course search by state

<http://golfingnear.com>

Email search by domain

<http://emailbydomain.com>

Auto manuals search

<http://auto.somanuals.com>

TV manuals search

<http://tv.somanuals.com>