



- KDL-23S2000
- KDL-26S2000
- KDL-32S2000
- KDL-40S2000
- KDL-46S2000

# Quick Setup Guide

For further information, see the operating instruction supplied with the TV. Please retain this guide for your future reference.

## You MUST get HD programming to see an HD picture!

Upgrade your signal to high-definition programming to view the same picture quality at home as you have seen in the store. Contact your cable or satellite provider for upgrading to high-definition TV for stunning detail and richer sound.

### For Your Convenience

Please contact Sony directly if you have questions on the use of your television after reading your Quick Setup Guide and manual.

Contact Sony Customer Support at:

<http://www.sony.com/tvsupport>

Or to speak with a support representative:

<b>United States</b>	<b>Canada</b>
1-800-222-SONY (7669)	1-877-899-SONY (7669)
8:00 AM – 10:00 PM (EST) Mon–Fri	8:00 AM – 6:00 PM (Eastern)
10:30 AM – 7:15 PM (EST) Sat–Sun	8:00 AM – 5:00 PM (Western)

**Please Do Not Return the Product to the Store**

## Making Audio/Video Connections

Your new TV includes various types of audio and video inputs. Use the outputs/inputs that are available on your components that provide the best audio/video performance. The HDMI input allows you to connect digital video and audio signals with a single cable:

Audio Connector Type	Best Audio/Video Performance	Video Connector Type
<b>HD</b> Digital Optical	↑	<b>HD</b> HDMI (High-Definition Multimedia Interface)
<b>HD</b> Digital Coaxial Will require an adapter to connect to this TV's digital audio output.		<b>HD</b> DVI (Digital Visual Interface) Will require an adapter to connect to this TV.
Analog Audio		<b>HD</b> Component video
		S VIDEO
		Composite video

- ⚠ The connection diagrams shown below and on the reverse side are recommendations only; other possible solutions may exist. Connections that include an AV receiver can often be complex, so check your AV receiver's instruction manual for additional details.
- ⚠ See the "Cables Required" chart that appears with the diagram to determine which cables you will need. Depending on the components you plan to connect, you may need to purchase extra cables.

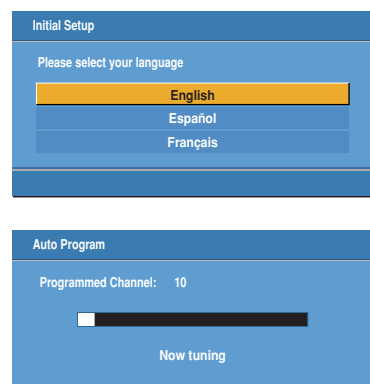
## Getting HD Programming

Contact your local cable or satellite TV provider for details on how to upgrade to your High-Definition (HD) programming. Additional equipment and subscription fees may apply.

- For information on availability of HD programming using an antenna (HDTV with integrated HD tuner required), visit [www.antennaweb.org](http://www.antennaweb.org) (US only)
- For an interactive guide on cable requirements and how to connect audio and video devices, visit [www.ceaconnectionsguide.com](http://www.ceaconnectionsguide.com) (US only)

## Running Initial Setup

- 1 Press **POWER** to turn on the TV. The Initial Setup screen appears.
- 2 Press **▲/▼** to highlight the on-screen display language. Then press **+**. The message "First please connect cable/antenna. Do you want to start Auto Program?" appears.
- 3 Press **◀/▶** to highlight "OK" then press **+**. The message "Auto Program" appears. Then the message "Continue programming digital channels?" appears. This may require 50+ minutes for completion.
- 4 Press **◀/▶** to highlight "OK" then press **+**.



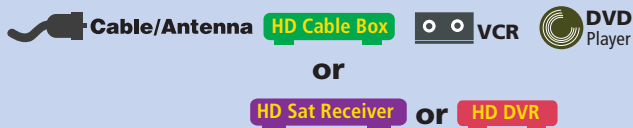
When Initial Setup is complete, the TV will display the total number of analog channels or the total number of digital channels found.

### To run Auto Program again at a later time

Refer to the manual on "Initial Setup" and "Auto Program" sections.

## A HD connection

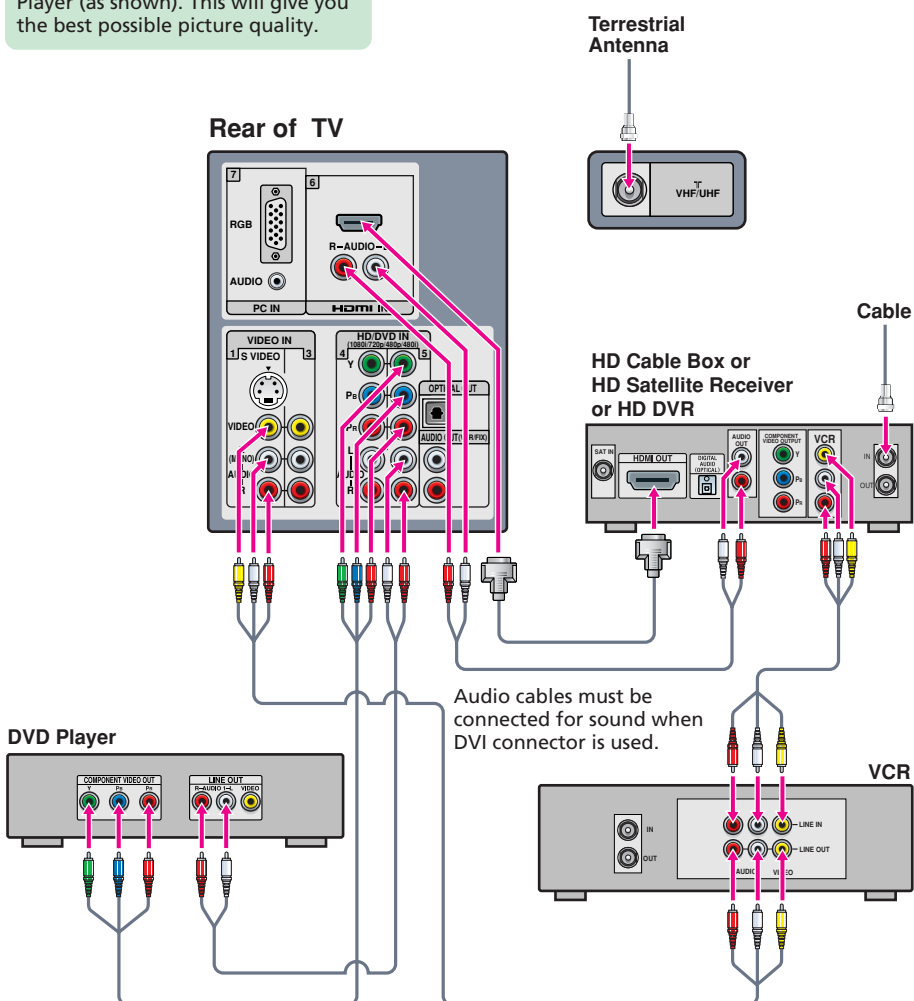
Use this diagram if you have;



Cables Required	
Coaxial	2
Composite	2
Component	1
Audio	2
HDMI	1

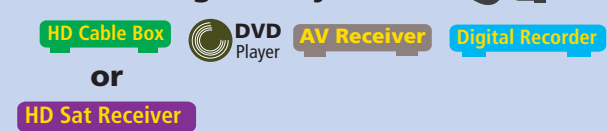
If your HD Cable Box and DVD player have HDMI jacks, use HDMI with the HD Cable Box and component video with the DVD Player (as shown). This will give you the best possible picture quality.

For best results, check the cable box's manual for proper setup of the HD output.

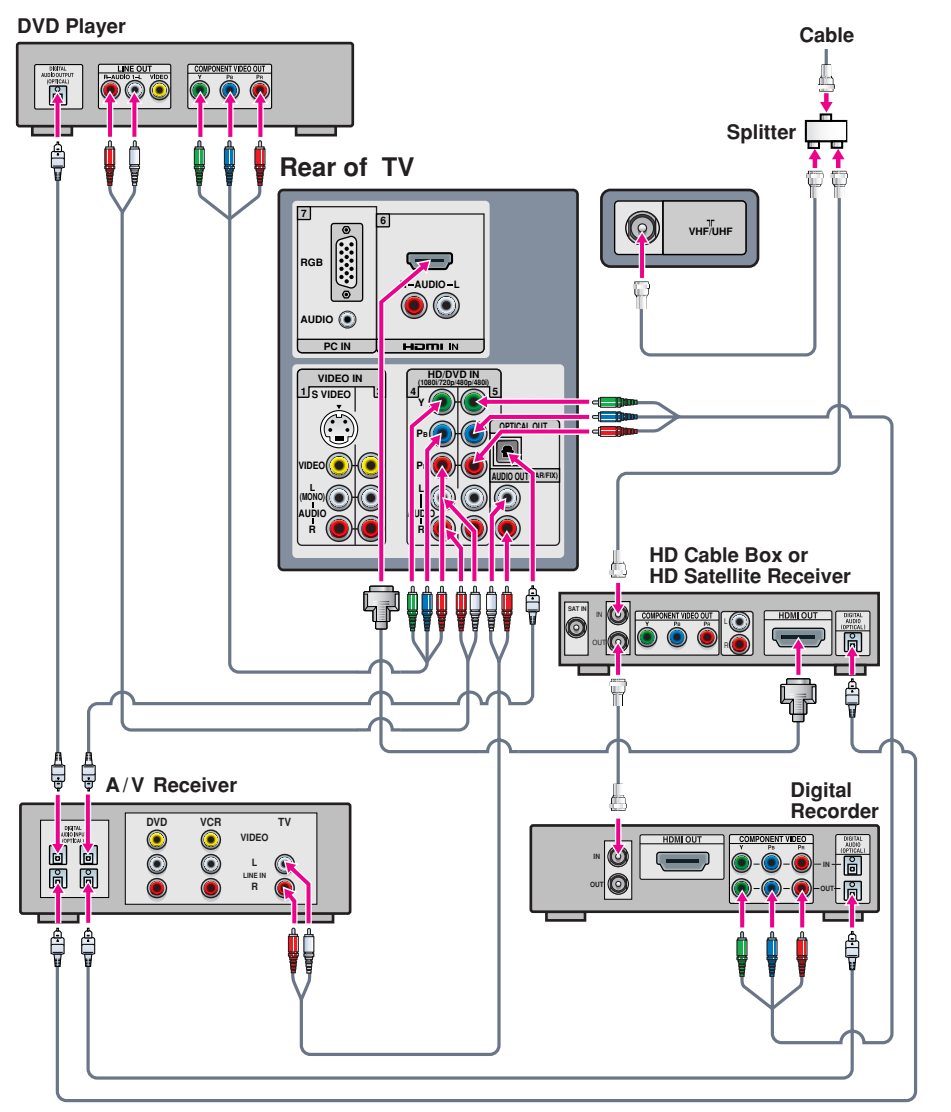


## B HD connection

Use this diagram if you have; Cable/Antenna



Cables Required	
Splitter	1
Coaxial	4
Component	2
Audio	2
HDMI	1
Optical Audio	4



# C

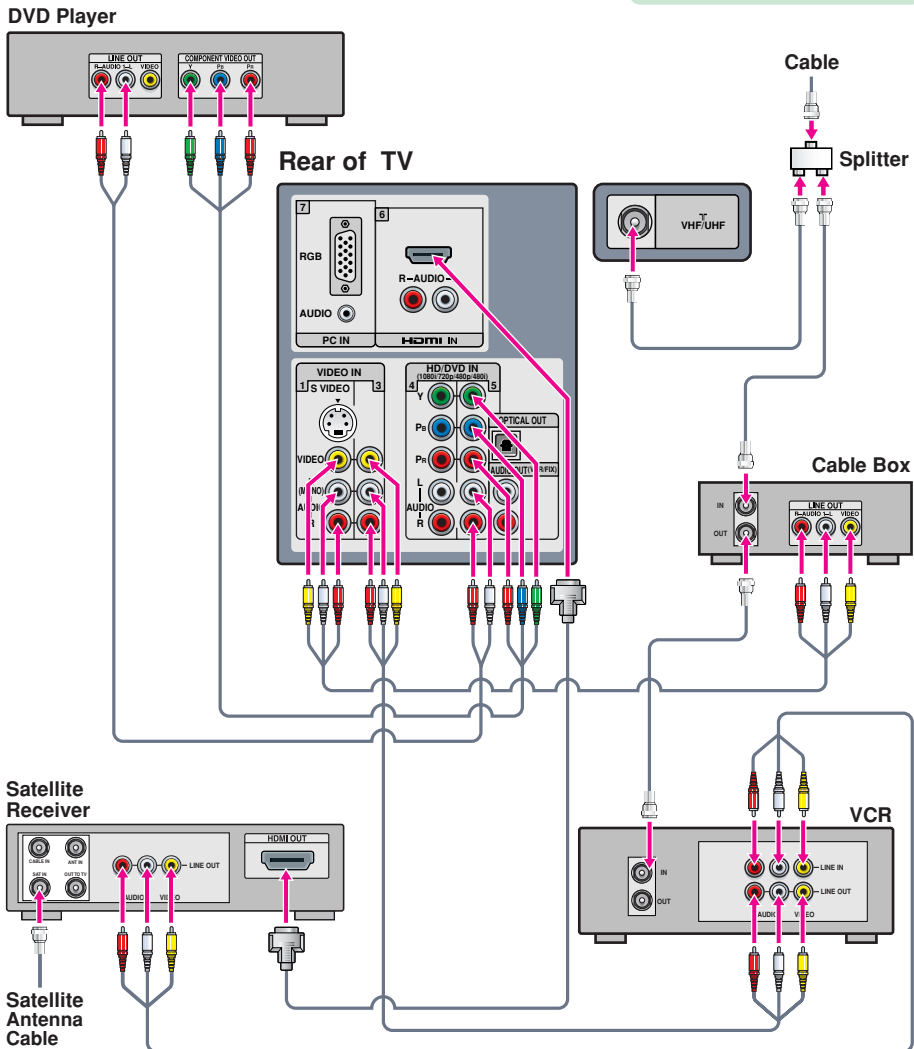
Use this diagram if you have; Cable/Antenna

Cable Box VCR DVD Player Satellite Receiver

Cables Required	
Splitter	1
Coaxial	5
Composite	3
Component	1
Audio	1
HDMI	1

If your DVD player or satellite receiver has an HDMI jack, use that instead of the component/composite video connections.

If you are not using a cable box, connect your cable to the VCR's RF IN jack.



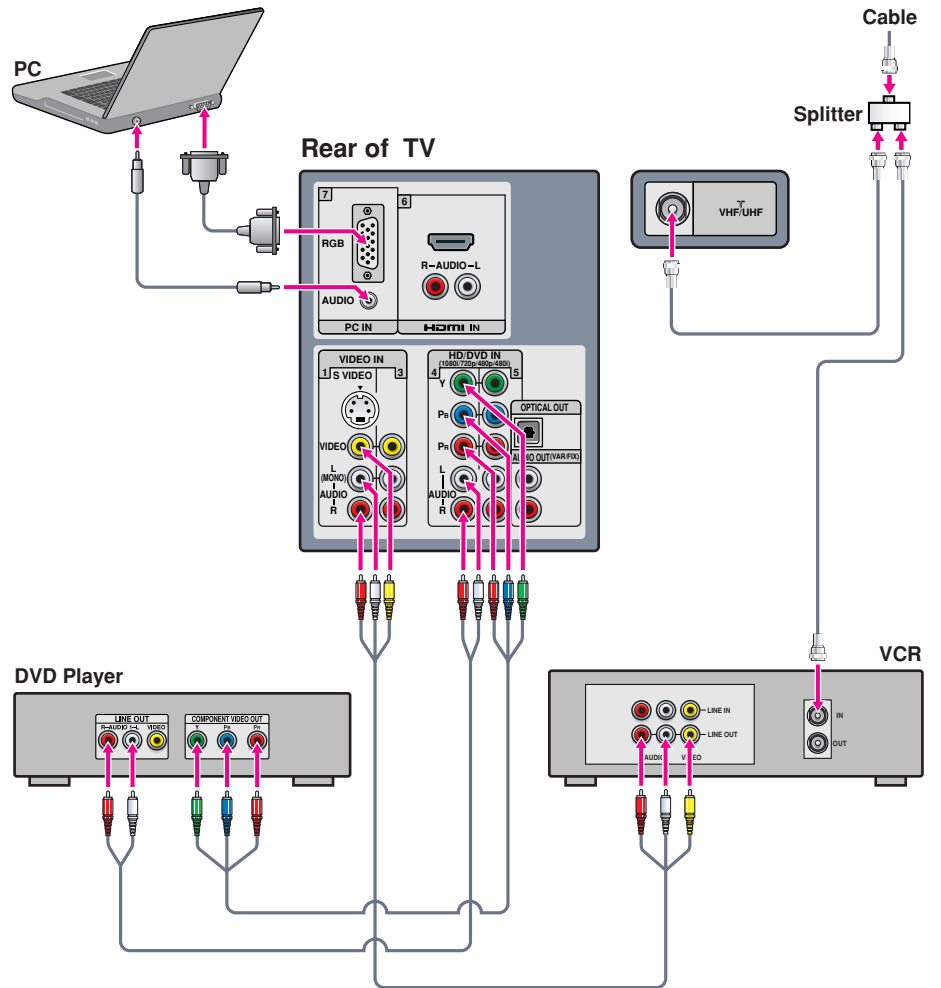
# D

Use this diagram if you have;

Cable/Antenna VCR DVD Player PC

Cables Required	
Splitter	1
Coaxial	3
Composite	1
Component	1
Audio	2
HD15-HD15	1

If your DVD player has an HDMI jack, use that instead of the video connections shown here.



# E

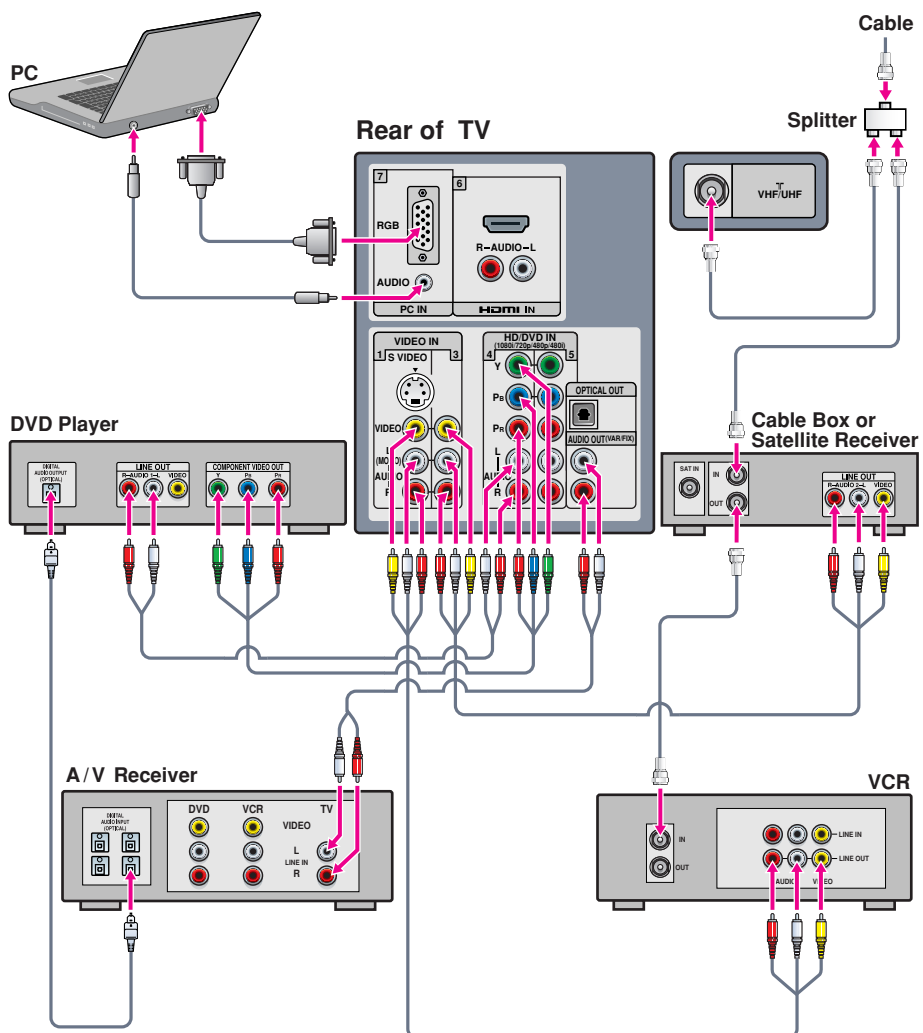
Use this diagram if you have; Cable/Antenna

Cable Box VCR DVD Player PC AV Receiver  
or  
 Satellite Receiver

Cables Required	
Splitter	1
Coaxial	4
Composite	2
Component	1
Audio	3
HD15-HD15	1
Optical Audio	1

If your DVD player or satellite receiver has an HDMI jack, use that instead of the video connections shown here.

If you are not using a cable box or satellite receiver, connect your cable to the VCR's RF IN jack.



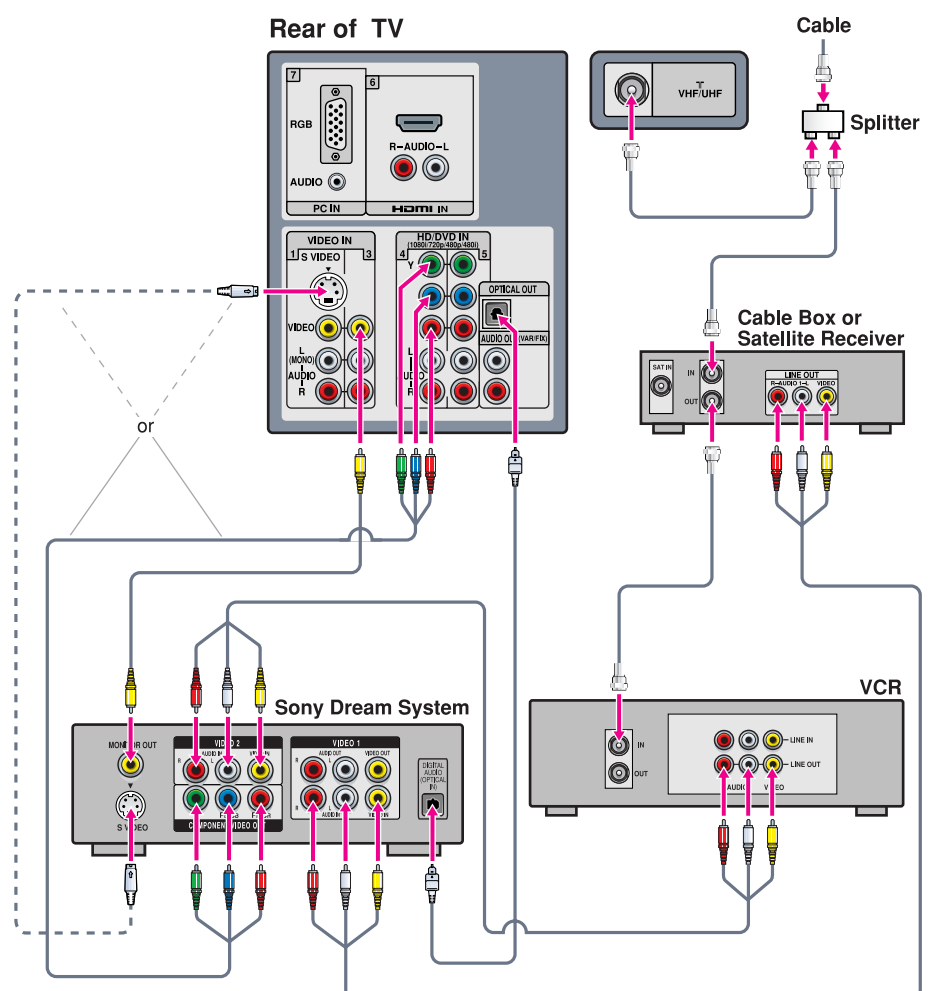
# F

Use this diagram if you have;

Cable/Antenna Cable Box VCR Sony Dream System  
or  
 Satellite Receiver

Cables Required	
Splitter	1
Coaxial	4
Composite	2
Component	1
Optical Audio	1

If you are not using a cable box or satellite receiver, connect the cable to the VCR's RF IN jack.





## Free Manuals Download Website

<http://myh66.com>

<http://usermanuals.us>

<http://www.somanuals.com>

<http://www.4manuals.cc>

<http://www.manual-lib.com>

<http://www.404manual.com>

<http://www.luxmanual.com>

<http://aubethermostatmanual.com>

Golf course search by state

<http://golfingnear.com>

Email search by domain

<http://emailbydomain.com>

Auto manuals search

<http://auto.somanuals.com>

TV manuals search

<http://tv.somanuals.com>