



A KOHLER COMPANY

ALL PRO®

Features

- Compression molded from Sterling's exclusive solid Vikrell® material
- Convenient shelving and acrylic towel bar on back wall
- Modular 4-piece design
- Lightly pebbled bottom surface for sure footing
- Tongue-and-groove "snap together" design
- Durable swirl gloss finish
- 10 year consumer/3 year commercial limited warranty
- Caulk required for installation
- Allows for future attachment of grab bars
- 60" (152.4 cm) x 31-1/2" (80 cm) x 74" (188 cm) complete unit rough-in dimensions include flange
- 60" (152.4 cm) x 30" (76.2 cm) x 72-3/4" (184.8 cm) complete unit finished dimensions

Codes/Standards Applicable

Specified model meets or exceeds the following:

- ASTM E84
- ANSI Z124.1.2
- IAPMO/UPC
- HUD, UM Bulletin 73A
- NAHB Research Foundation, Inc.

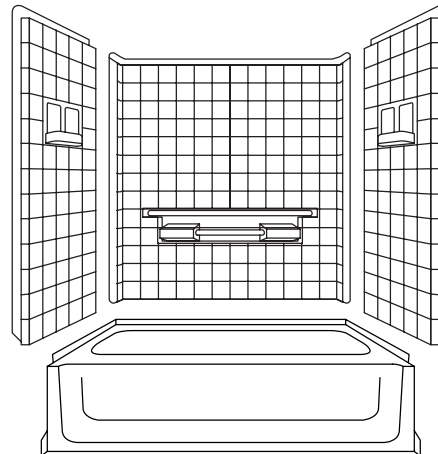
Specified Model

Model	Complete Unit Description	Colors/Finishes	
61040116	60" (152.4 cm) bath and wall surround with backer boards, left drain	<input type="checkbox"/> 0	<input type="checkbox"/> Other _____
61040126	60" (152.4 cm) bath and wall surround with backer boards, right drain	<input type="checkbox"/> 0	<input type="checkbox"/> Other _____
Model	Wall Component Description	Colors/Finishes	
61044106	Complete wall set with backer boards	<input type="checkbox"/> 0	<input type="checkbox"/> Other _____

60" (152.4 cm) BATH/SHOWER SYSTEM WITH BACKER BOARDS

61040116

ALSO 61040126, 61040516, 61040526



Colors/Finishes

- 0: White
- Other: Refer to Price Book for additional colors/finishes

SterlingPlumbing.com

Visit us online for fixture color choices, detailed product information, color photos, installation instructions, care guides, and warranties. Sterling offers additional lines of plumbing products to complement the Sterling product you've chosen. Sign up for the Sterling monthly e-newsletter which showcases our latest product innovations. You may also call our Sterling Plumbing Answer Center from within the USA at 1-888-STERLING in addition to consulting with your local dealer. Sterling. Strong. Professional. Design.

Technical Information

Fixture:*		
Bathing well	basin area	40" (101.6 cm) x 21" (53.3 cm)
	top area	52" (132.1 cm) x 29" (73.7 cm)
To overflow	water depth	9-3/8" (23.8 cm)
	capacity	44 gal (166.6 L)
* Approximate measurements for comparison only.		

Maximum door width	57-1/2" (146.5 cm)*
Maximum door height	NA*
* Varies with alternative walls.	

Installation Notes

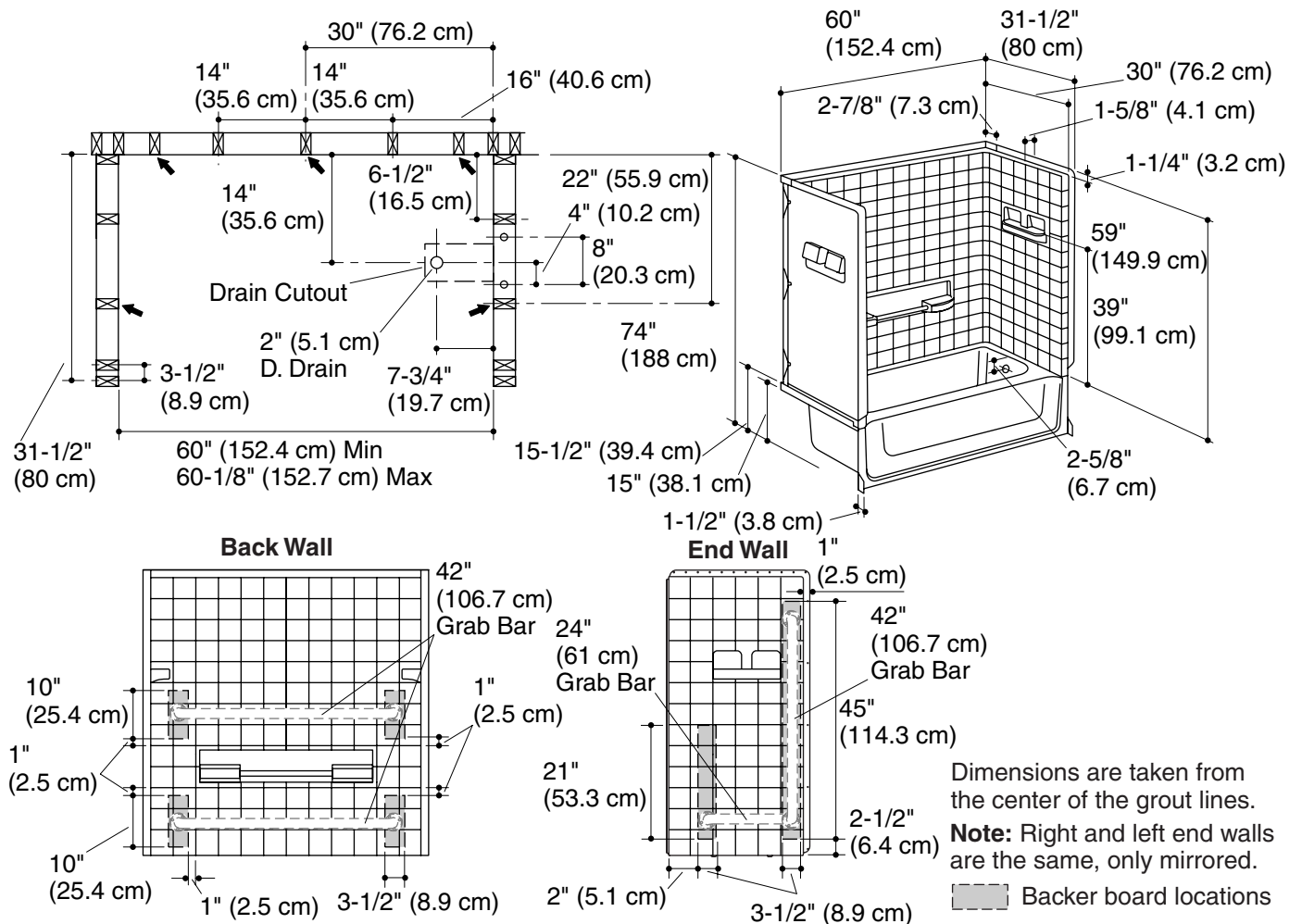
Install this product according to the installation guide.

Size the drain cutout to fit the drain assembly that will be used.

End stud positioning is critical if nailing-in flanges are to be used.

Double studding is recommended for pivot shower door installations.

Studs should be positioned roughly as shown for support clip or roofing nail installation.



Product Diagram

Free Manuals Download Website

<http://myh66.com>

<http://usermanuals.us>

<http://www.somanuals.com>

<http://www.4manuals.cc>

<http://www.manual-lib.com>

<http://www.404manual.com>

<http://www.luxmanual.com>

<http://aubethermostatmanual.com>

Golf course search by state

<http://golfingnear.com>

Email search by domain

<http://emailbydomain.com>

Auto manuals search

<http://auto.somanuals.com>

TV manuals search

<http://tv.somanuals.com>