



A KOHLER COMPANY

ENSEMBLE™

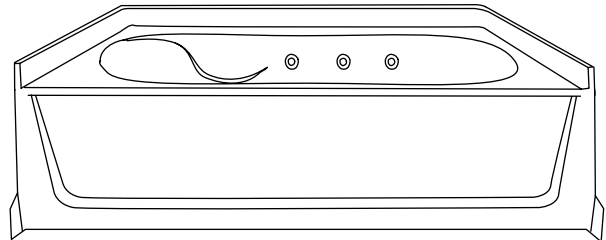
Features

- Compression molded from Sterling's exclusive solid Vikrell® material
- Integral apron with removable access panel
- Durable high gloss finish
- 1.25 hp pump with air switch and grounding-type plug-in cord
- 6 Jets
- Optional three-piece wall set with generous storage shelves
- 10 year consumer/3 year commercial limited warranty, pump motor assembly has 1 year limited warranty
- Lightly pebbled bottom surface for sure footing
- 60" (152.4 cm) x 43-1/2" (110.5 cm) x 20" (50.8 cm) complete unit rough-in dimensions include flanges
- 60" (152.4 cm) x 42" (106.7 cm) x 19" (48.3 cm) complete unit finished dimensions include wainscot

42" (106.7 cm) BATH WHIRLPOOL

76111110

ALSO 76111120



Codes/Standards Applicable

Specified model meets or exceeds the following:

- ASME A112.19.7M
- IAPMO/UPC
- ASTM E162
- ASTM E662
- ANSI Z124.1.2
- Underwriters Laboratories (UL)
- HUD, UM Bulletin 73A

Colors/Finishes

- 0: White
- Other: Refer to Price Book for additional colors/finishes

Specified Model

Model	Description	Colors/Finishes	
76111110	42" (106.7 cm) bath whirlpool, left drain	<input type="checkbox"/> 0	<input type="checkbox"/> Other_____
76111120	42" (106.7 cm) bath whirlpool, right drain	<input type="checkbox"/> 0	<input type="checkbox"/> Other_____

SterlingPlumbing.com

Visit us online for fixture color choices, detailed product information, color photos, installation instructions, care guides, and warranties. Sterling offers additional lines of plumbing products to complement the Sterling product you've chosen. Sign up for the Sterling monthly e-newsletter which showcases our latest product innovations. You may also call our Sterling Plumbing Answer Center from within the USA at 1-888-STERLING in addition to consulting with your local dealer. Sterling. Strong. Professional. Design.

ENSEMBLE™

Technical Information

Fixture*:	basin area	top area
Bathing well	40" (101.6 cm) x 27" (68.6 cm)	52" (132.1 cm) x 35" (88.9 cm)
To overflow	water depth	capacity
	11" (27.9 cm)	55 gal (208.2 L)

* Approximate measurements for comparison only.

Pump:	Hp	V	Hz	A
1-speed	1.25	120	60	7

Model	Door maximum width	Door maximum height
76111110 76111120	58" (147.3 cm)*	NA*

* Varies with alternative walls.

Required Electrical Service

Dedicated circuit required, protected with Class A Ground-Fault Circuit-Interrupter (GFCI):	
Pump	120 V, 15 A, 60 Hz

Installation Notes

Install this product according to the installation guide.

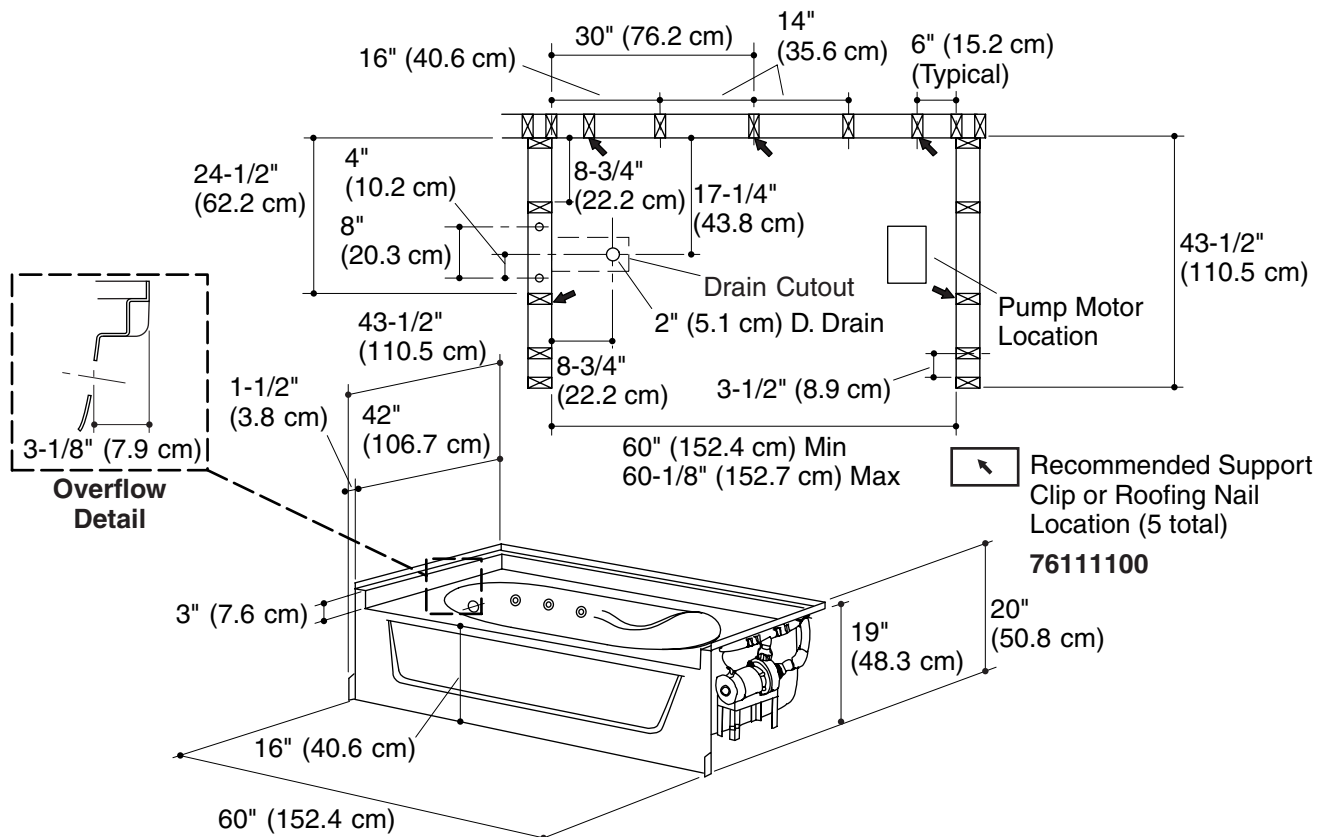
Pump is supplied with a grounding type plug-in cord. Locate the outlet behind the whirlpool, and within 24" (61 cm) of the pump.

Do not disassemble the pump or piping as this could void the warranty.

Size the drain cutout to fit the drain assembly that will be used.

Stud positioning is critical.

Studs should be positioned roughly as shown for support clip or roofing nail installation.



Product Diagram

Free Manuals Download Website

<http://myh66.com>

<http://usermanuals.us>

<http://www.somanuals.com>

<http://www.4manuals.cc>

<http://www.manual-lib.com>

<http://www.404manual.com>

<http://www.luxmanual.com>

<http://aubethermostatmanual.com>

Golf course search by state

<http://golfingnear.com>

Email search by domain

<http://emailbydomain.com>

Auto manuals search

<http://auto.somanuals.com>

TV manuals search

<http://tv.somanuals.com>