



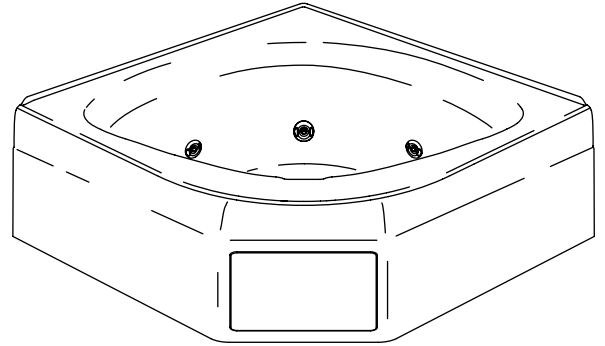
A KOHLER COMPANY

ENSEMBLE™

### Features

- Compression molded from Sterling's exclusive solid Vikrell® material
- Integral apron with removable access panel
- Durable high gloss finish
- Lightly pebbled bottom surface for sure footing
- 1.25 hp pump with air switch and grounding-type plug-in cord
- 10 year consumer/3 year commercial limited warranty, pump motor assembly has 1 year limited warranty
- 7 Jets
- 60" (152.4 cm) x 60" (152.4 cm) x 20.5" (52.1 cm) complete unit rough-in dimensions include flange
- 60" (152.4 cm) x 60" (152.4 cm) x 20" (50.8 cm) complete unit finished dimensions

### 60" (152.4 cm) CORNER WHIRLPOOL BATH 76131100



### Colors/Finishes

- 0: White
- Other: Refer to Price Book for additional colors/finishes

### Codes/Standards Applicable

Specified model meets or exceeds the following:

- ASME A112.19.7M
- ASME A112.19.8M
- ASTM E162
- ASTM E662
- ANSI Z124.1.2
- IAPMO/UPC
- Underwriters Laboratories (UL)

### Specified Model

Model	Description	Colors/Finishes	
76131100	60" (152.4 cm) corner whirlpool, center drain	<input type="checkbox"/> 0	<input type="checkbox"/> Other_____

### SterlingPlumbing.com

Visit us online for fixture color choices, detailed product information, color photos, installation instructions, care guides, and warranties. Sterling offers additional lines of plumbing products to complement the Sterling product you've chosen. Sign up for the Sterling monthly e-newsletter which showcases our latest product innovations. You may also call our Sterling Plumbing Answer Center from within the USA at 1-888-STERLING in addition to consulting with your local dealer. Sterling. Strong. Professional. Design.

# ENSEMBLE™

## Technical Information

Fixture*:	basin area	top area
Bathing well	49" (124.5 cm) x 42" (106.7 cm)	50" (127 cm) x 60" (152.4 cm)
To overflow	15-1/4" (38.7 cm)	108 gal (408.8 L)
* Approximate measurements for comparison only.		

Pump:	Hp	V	Hz	A
1-speed	1.25	120	60	7

## Required Electrical Service

Dedicated circuit required, protected with Class A Ground-Fault Circuit-Interrupter (GFCI):	
Pump	120 V, 15 A, 60 Hz

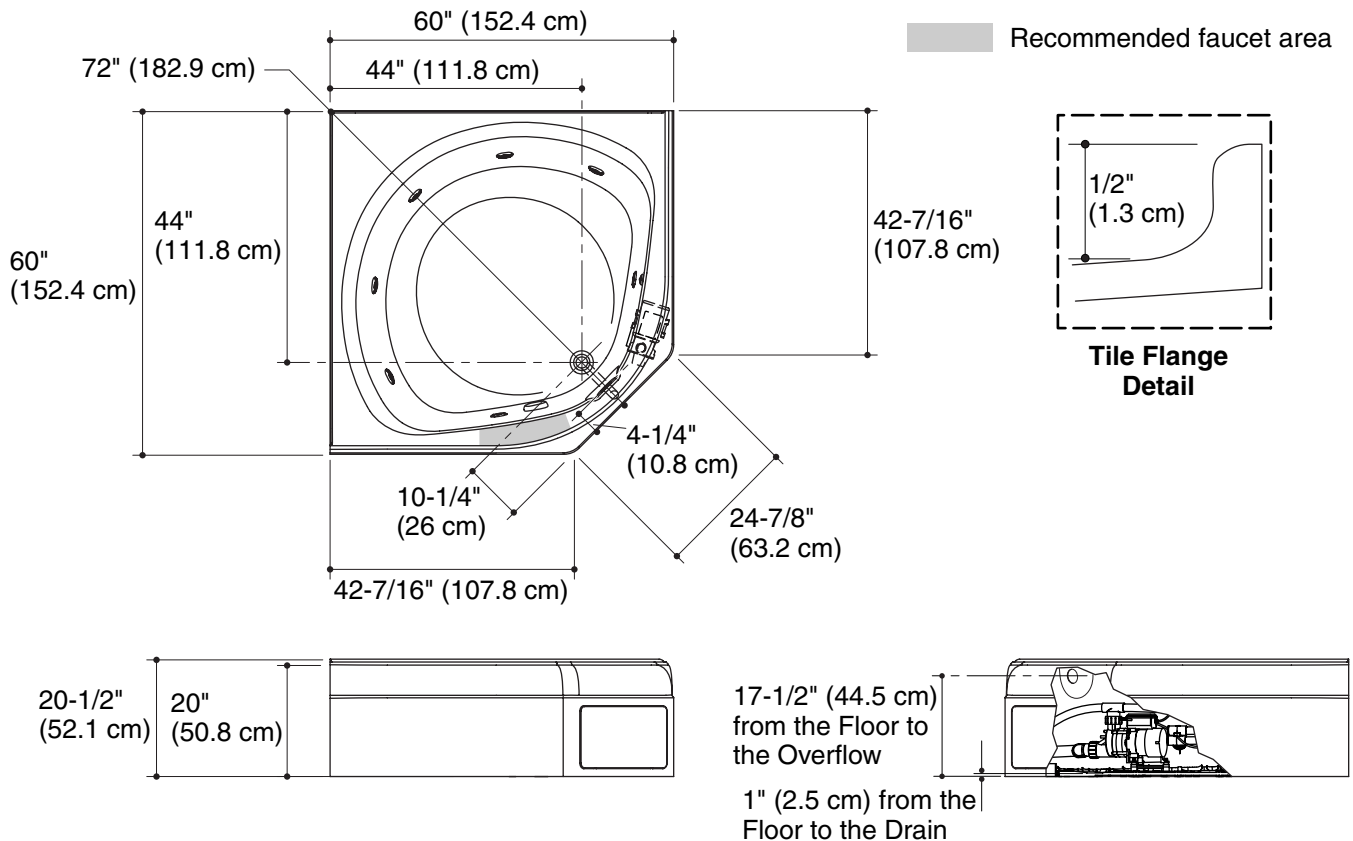
## Installation Notes

Install this product according to the installation guide.

Pump is supplied with a grounding type plug-in cord. Locate the outlet inside the access opening, opposite the pump from the drain.

Do not disassemble the pump or piping as this could void the warranty.

Size the drain cutout to fit the drain assembly that will be used.



## Product Diagram

## Free Manuals Download Website

<http://myh66.com>

<http://usermanuals.us>

<http://www.somanuals.com>

<http://www.4manuals.cc>

<http://www.manual-lib.com>

<http://www.404manual.com>

<http://www.luxmanual.com>

<http://aubethermostatmanual.com>

Golf course search by state

<http://golfingnear.com>

Email search by domain

<http://emailbydomain.com>

Auto manuals search

<http://auto.somanuals.com>

TV manuals search

<http://tv.somanuals.com>