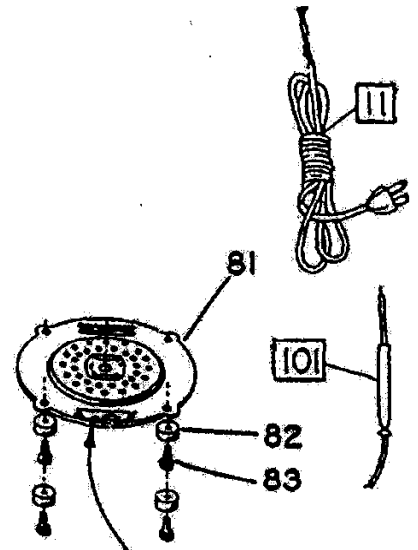
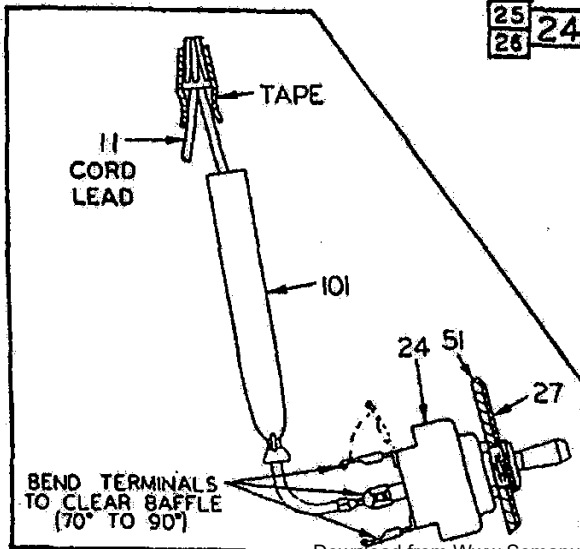
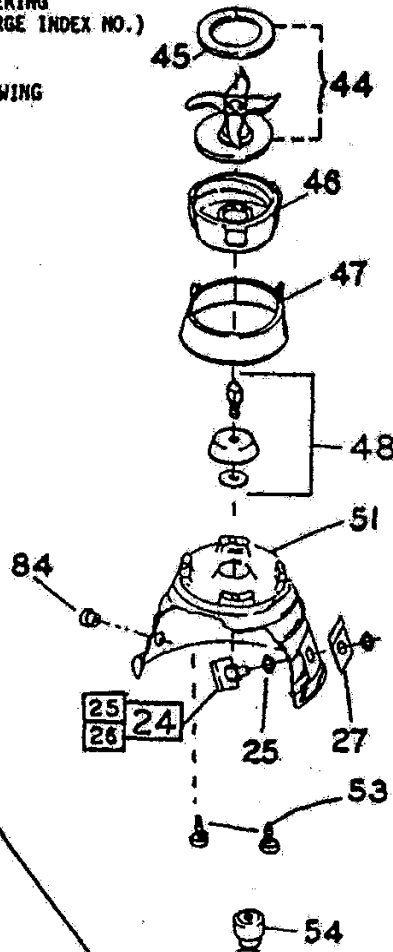


EXAMPLE:

28 29 THE COMPONENT PARTS (SMALL INDEX NO.'S)
30 30 ARE INCLUDED WHEN ORDERING
THE ASSEMBLY PART (LARGE INDEX NO.)

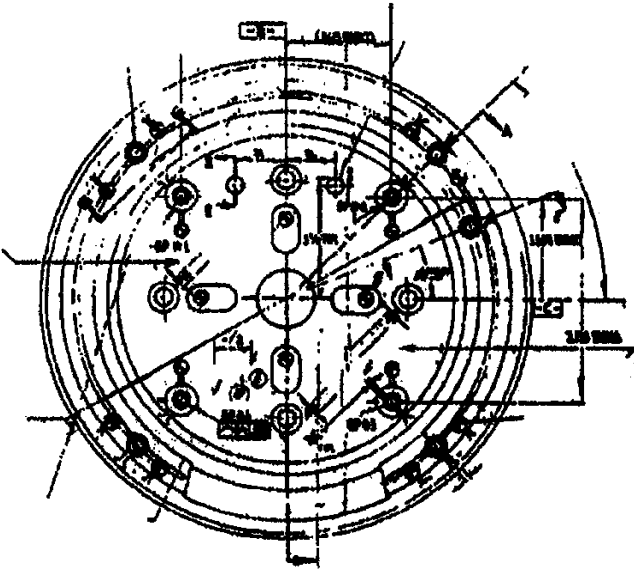
CAUTION: NUMBERS SHOWN ON DRAWING
ARE INDEX NUMBERS ONLY. ORDER
PARTS BY CORRECT PART NUMBER.



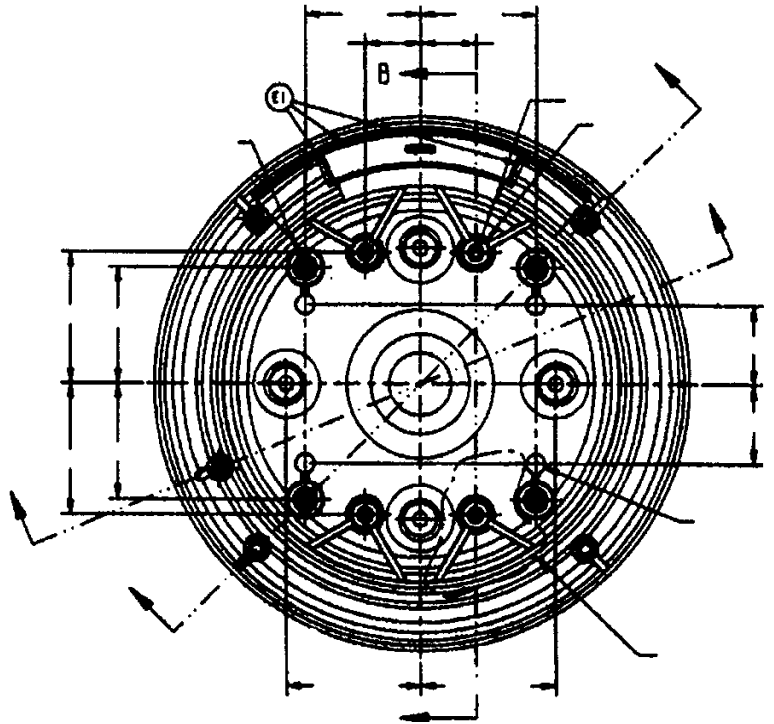
WHEN ASSEMBLED, LOUVER ON BASE
COVER MUST BE LOCATED 90° FROM
SWITCH.

In order to replace the motor you need to verify your blender base. If you have a blender base type S (M9811 I), You need to used either the old motor bracket that is in your previous motor or use the # 56 (027878-000-000) to install the new motor.

Type "S" - (M98111-000-000)
(M98111-001-000)



Current Base 101793-001-000
101793-002-000



Free Manuals Download Website

<http://myh66.com>

<http://usermanuals.us>

<http://www.somanuals.com>

<http://www.4manuals.cc>

<http://www.manual-lib.com>

<http://www.404manual.com>

<http://www.luxmanual.com>

<http://aubethermostatmanual.com>

Golf course search by state

<http://golfingnear.com>

Email search by domain

<http://emailbydomain.com>

Auto manuals search

<http://auto.somanuals.com>

TV manuals search

<http://tv.somanuals.com>