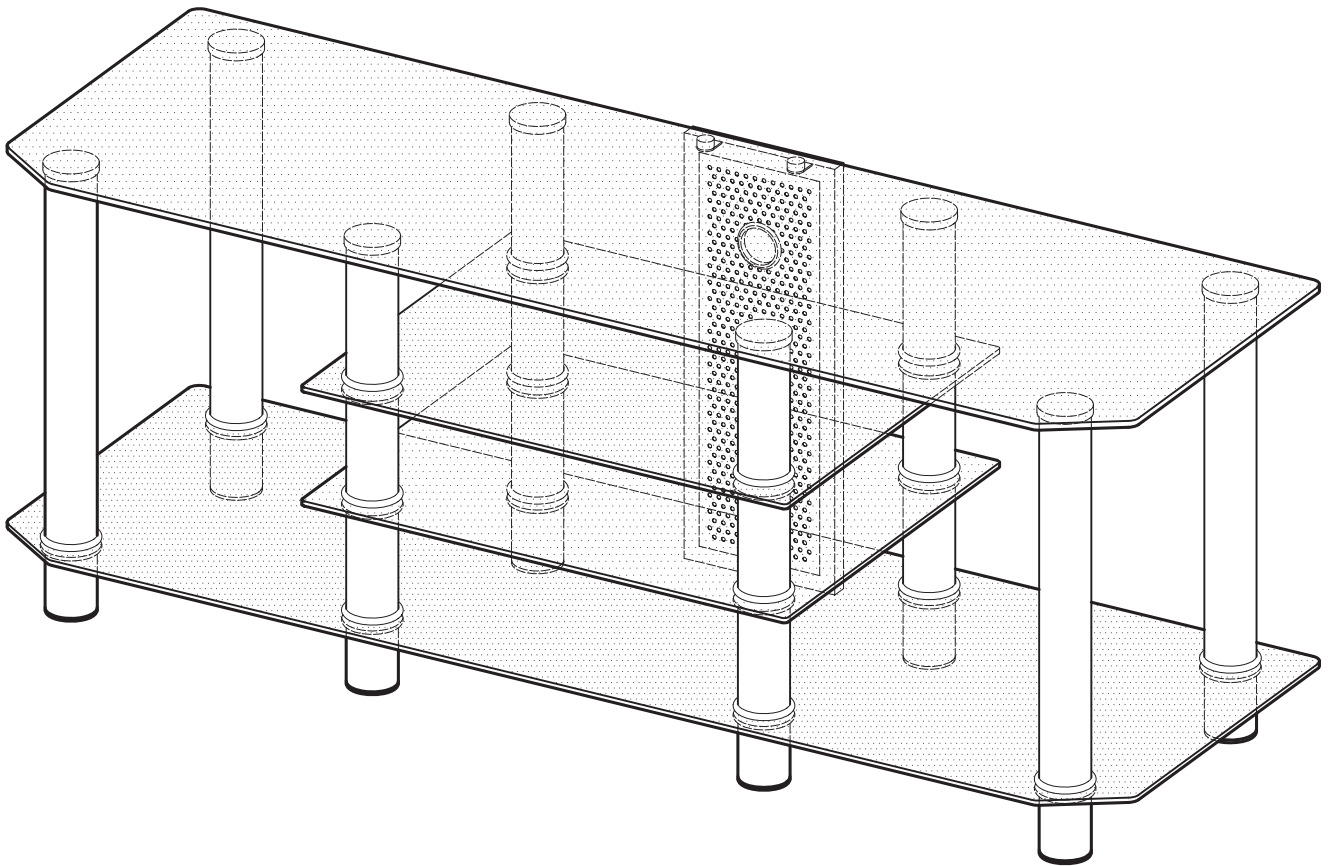


**W** Walker  
**E** Edison  
furniture company

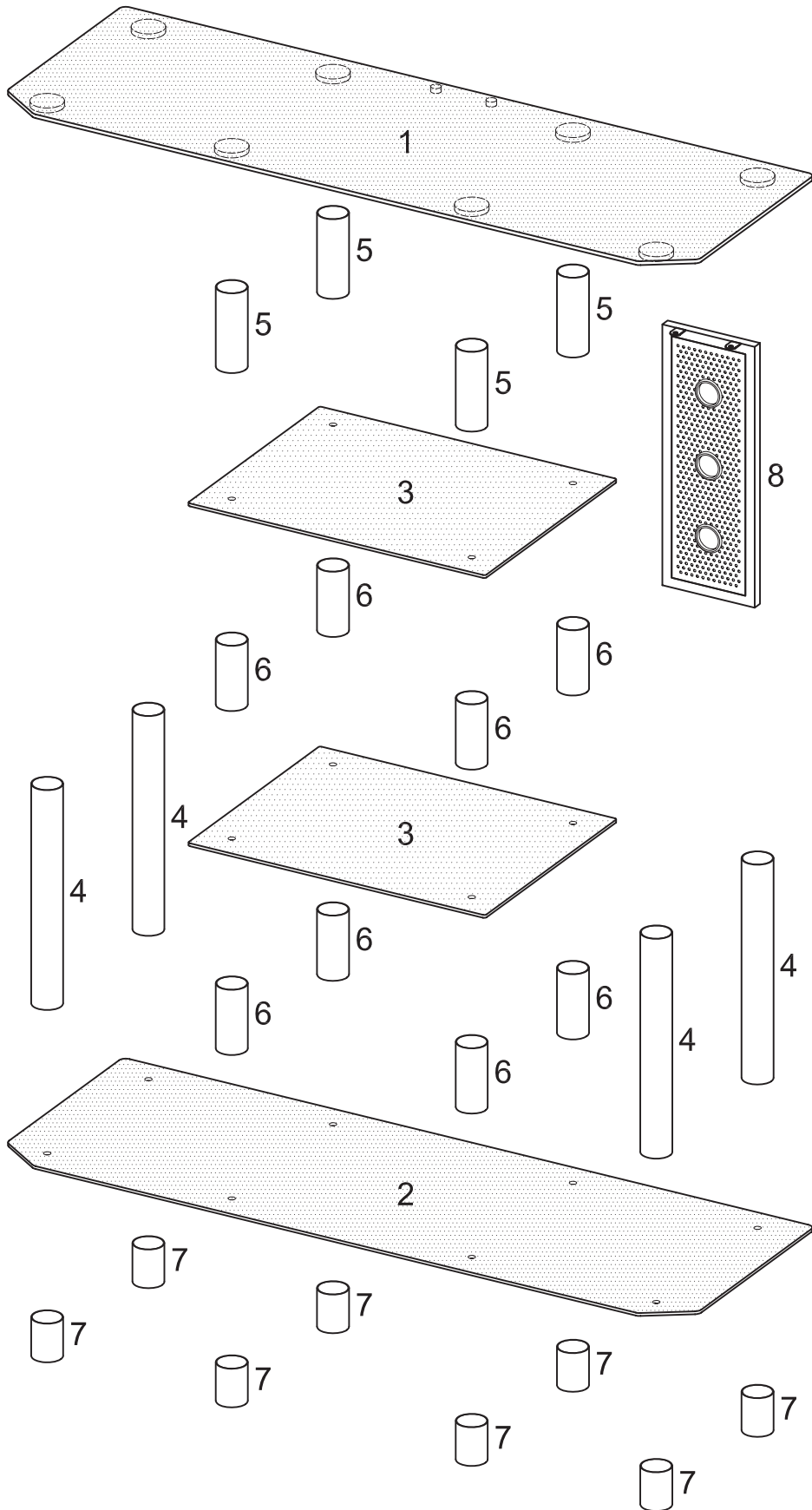
Item #: V60Y712  
Assembly Instructions








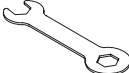
*For our most current instructions, to request missing, lost or broken parts, or for any other Customer Service issues, please visit our website at [www.walkeredison.com](http://www.walkeredison.com) or call us at 877-207-5906.*

Revised 12/2010

# Parts List

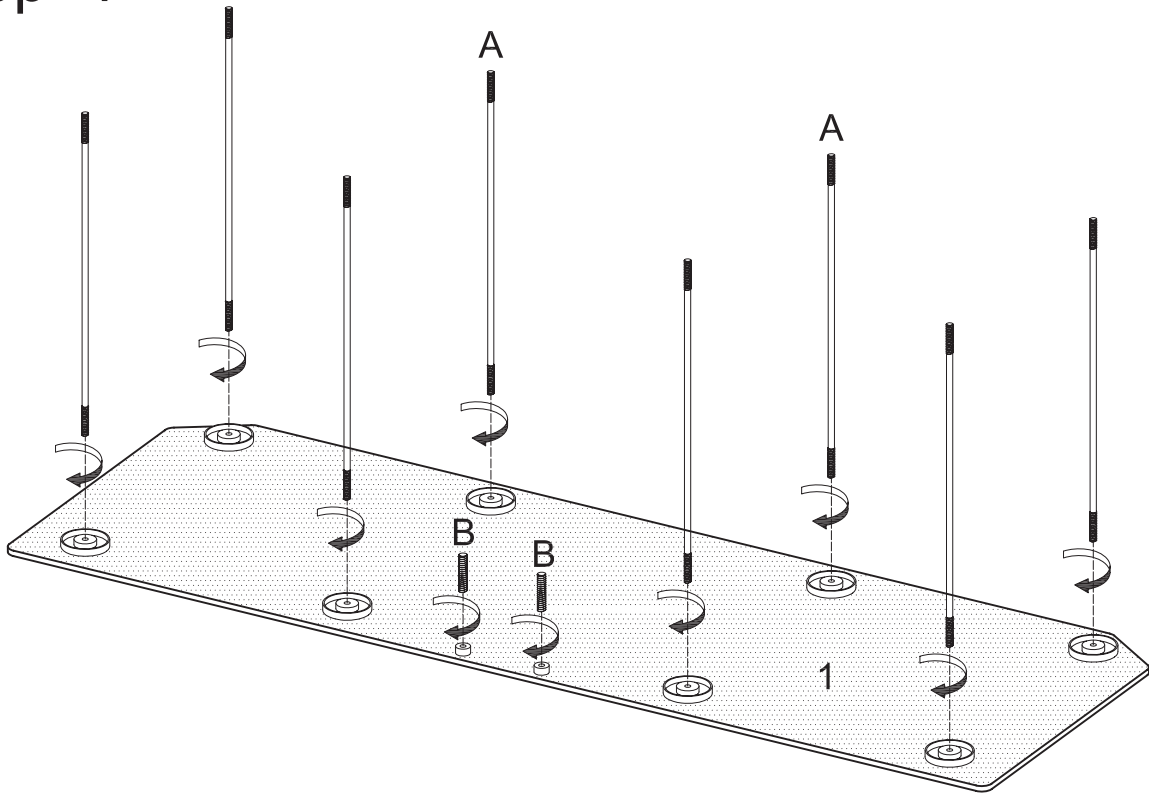


# Hardware List

A		Long rod	8 pcs
B		Short rod	2 pcs
C		Cap nut	2 pcs
D		Decorative ring	32 pcs
E		Cap	8 pcs
F		Wrench	1 pc

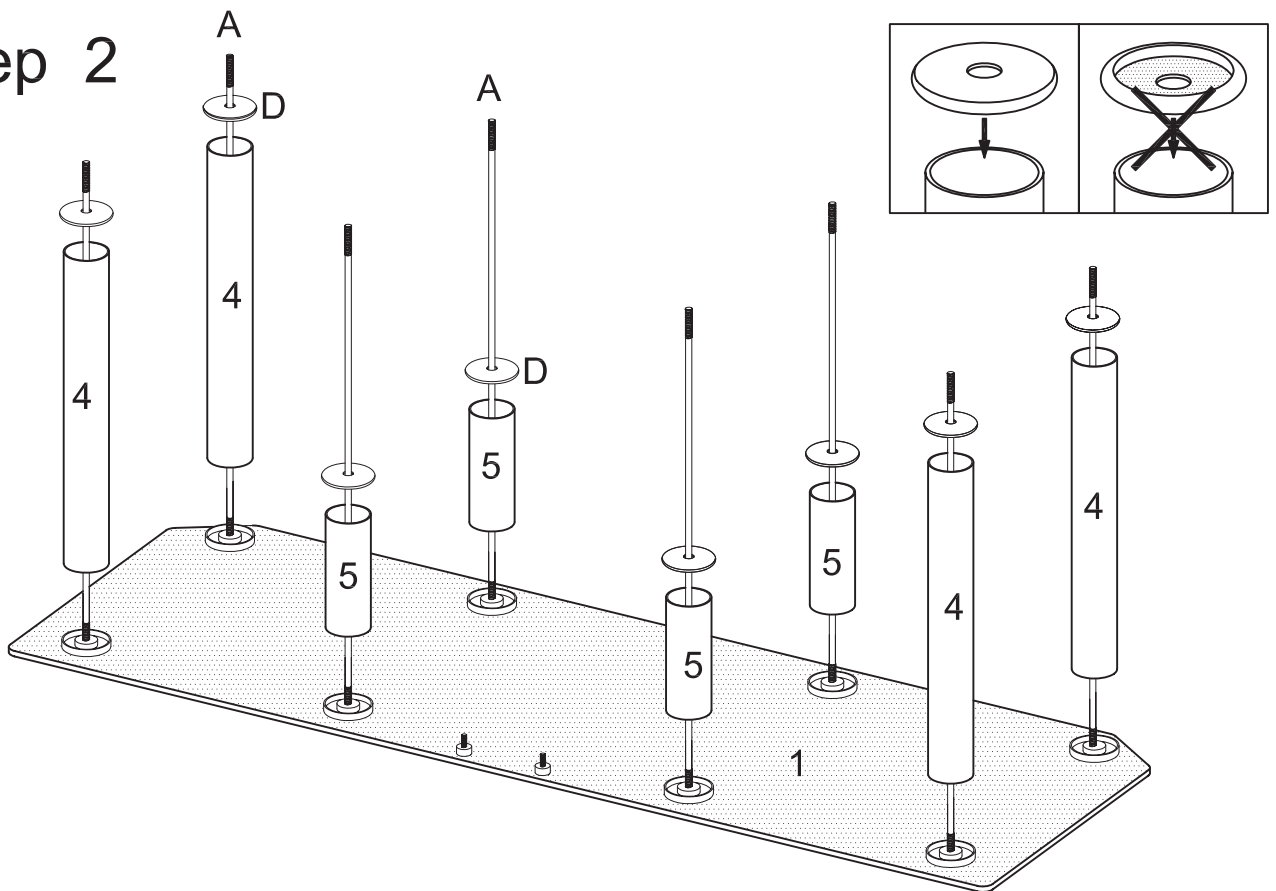
*The hardware quantities listed above are required for proper assembly.  
Some extra hardware may also have been included.*

## Step 1



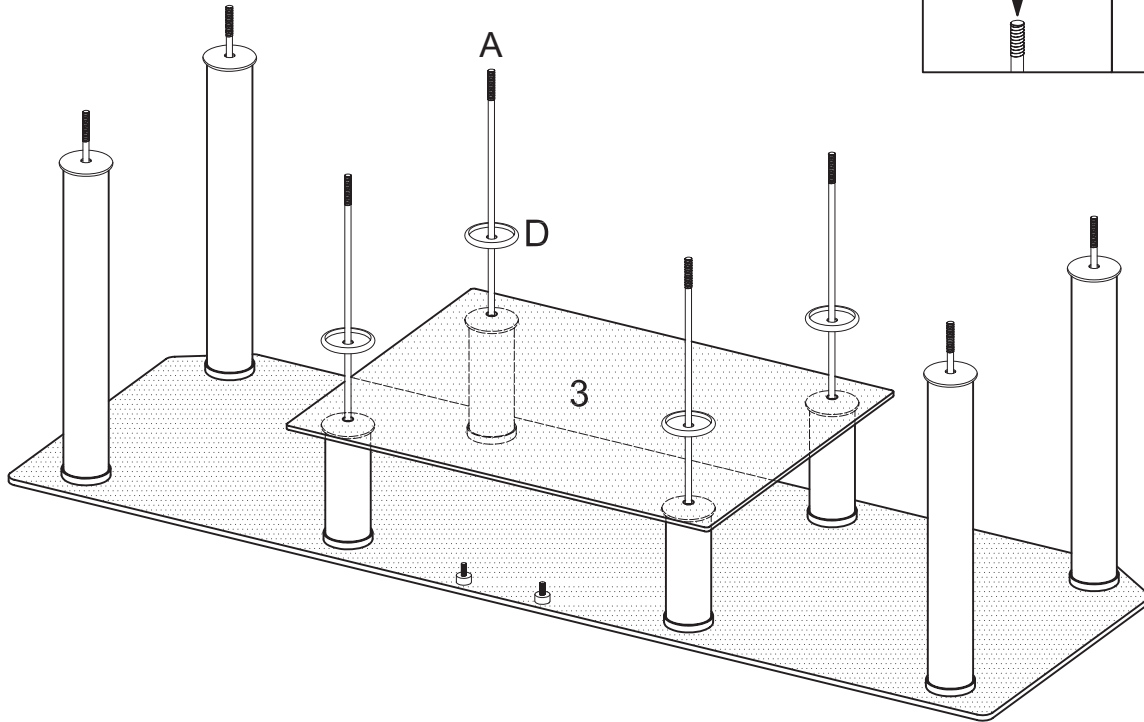
Carefully lay glass (1) upside down on a soft surface. Screw long rods (A) and short rods (B) into the appropriate metal plates of glass (1).

## Step 2



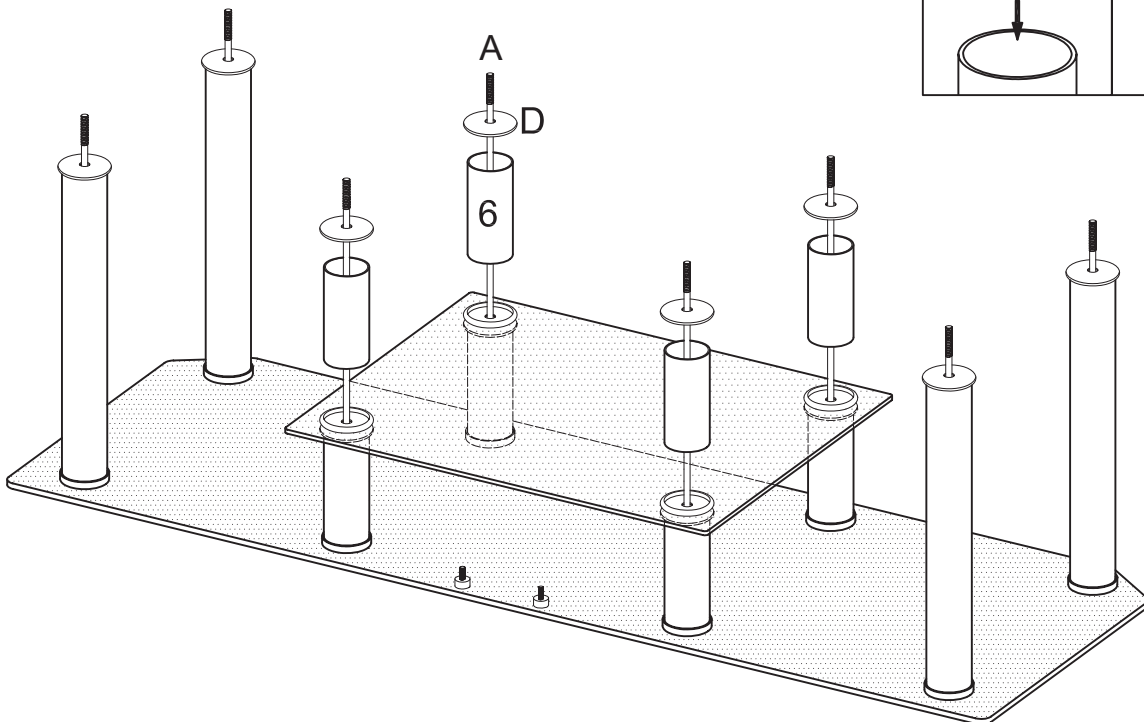
Slide cylinders (4) onto outside long rods (A). Slide cylinders (5) onto middle long rods (A). Slide decorative rings (D) onto long rods (A) and snap onto cylinders (4,5).

## Step 3



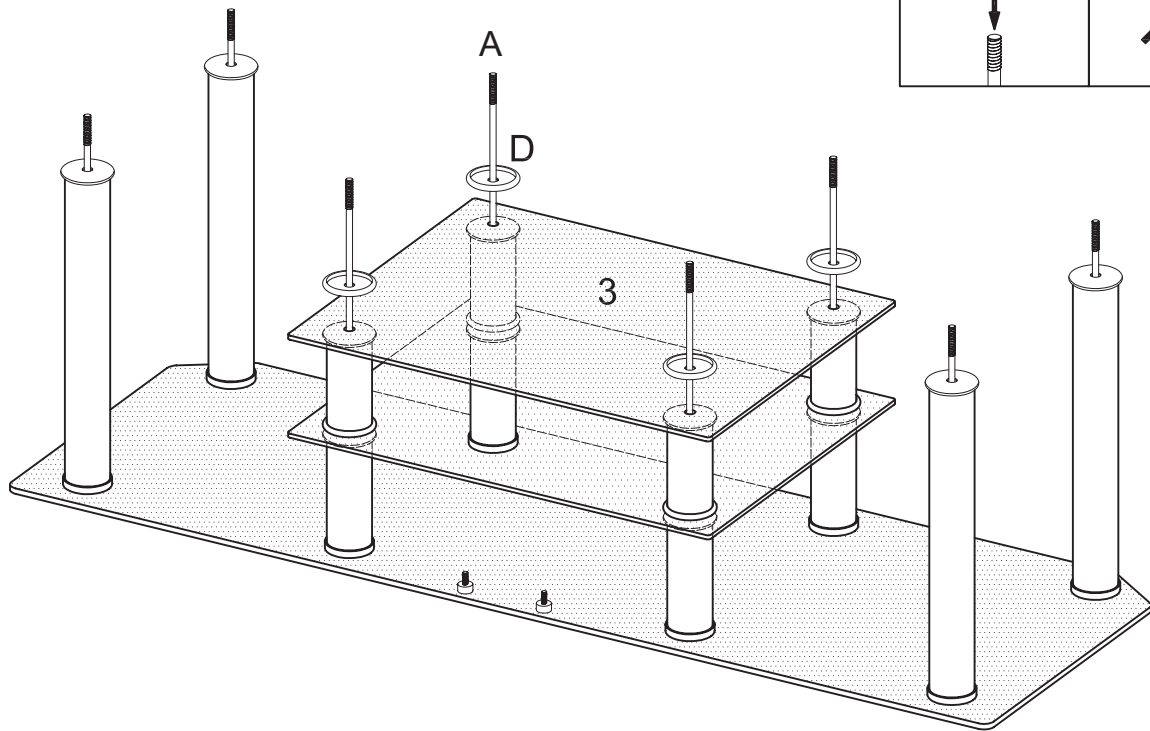
Carefully slide glass (3) into place using middle long rods (A) as guides. Slide decorative rings (D) onto middle long rods (A).

## Step 4



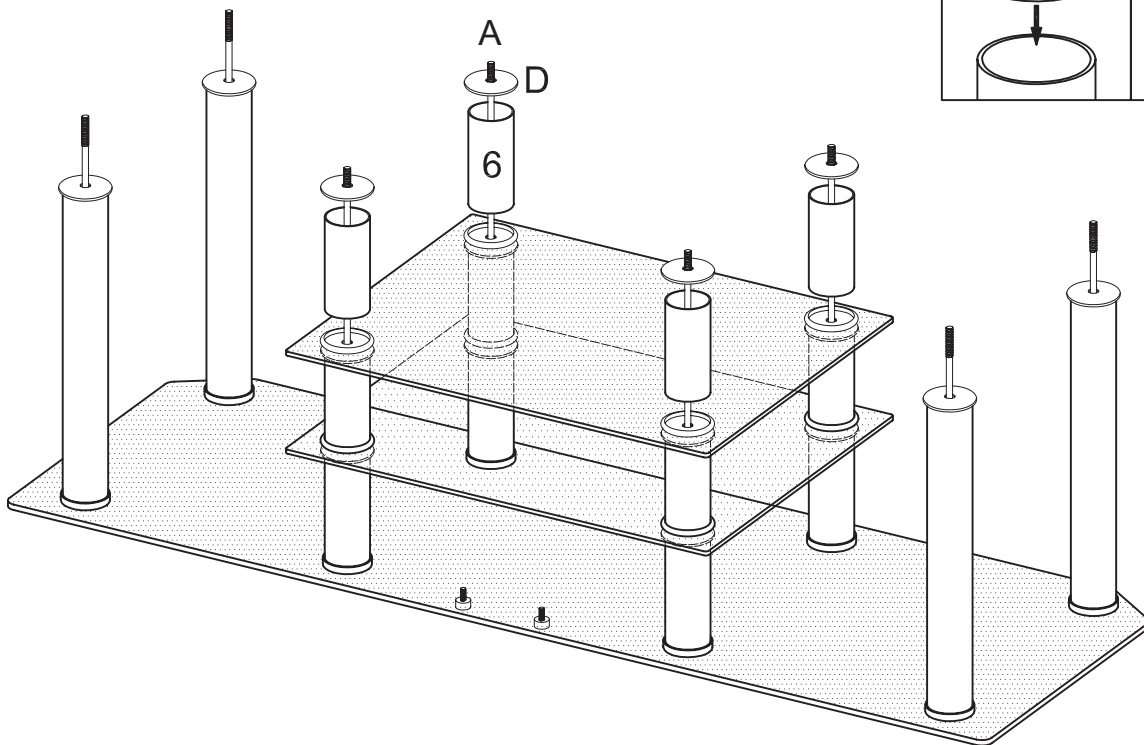
Slide cylinders (6) onto middle long rods (A). Cylinders (6) will fit snugly into the decorative rings placed in the previous step. Slide decorative rings (D) onto middle long rods (A) and snap onto cylinders (6).

## Step 5



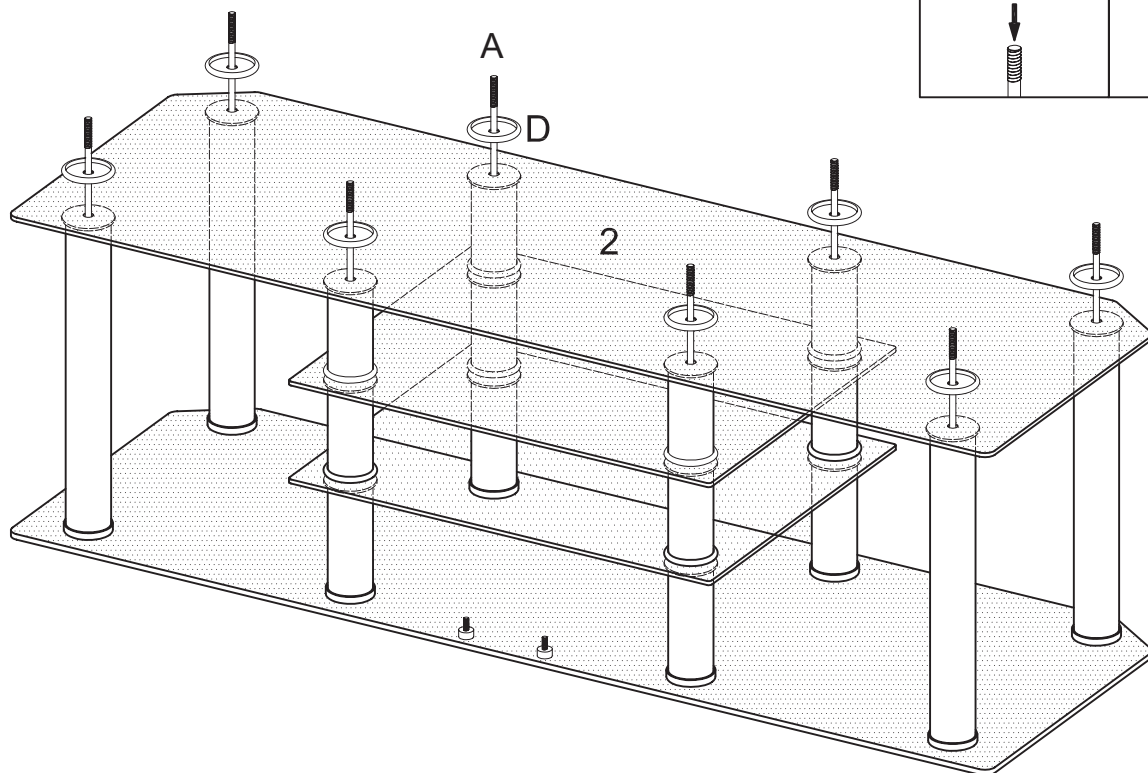
Carefully slide glass (3) into place using middle long rods (A) as guides. Slide decorative rings (D) onto middle long rods (A).

## Step 6



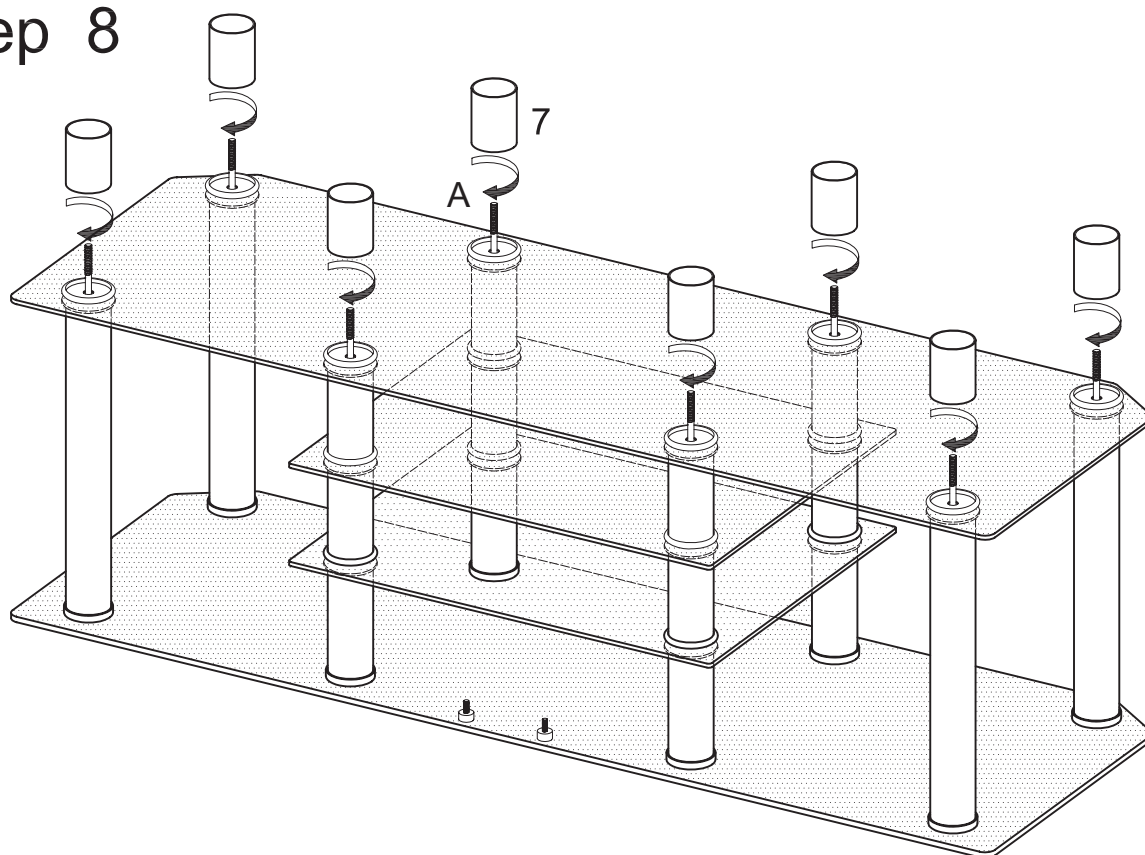
Slide cylinders (6) onto middle long rods (A). Cylinders (6) will fit snugly into the decorative rings placed in the previous step. Slide decorative rings (D) onto middle long rods (A) and snap onto cylinders (6).

## Step 7



Carefully slide glass (2) into place using long rods (A) as guides. Slide decorative rings (D) onto long rods (A).

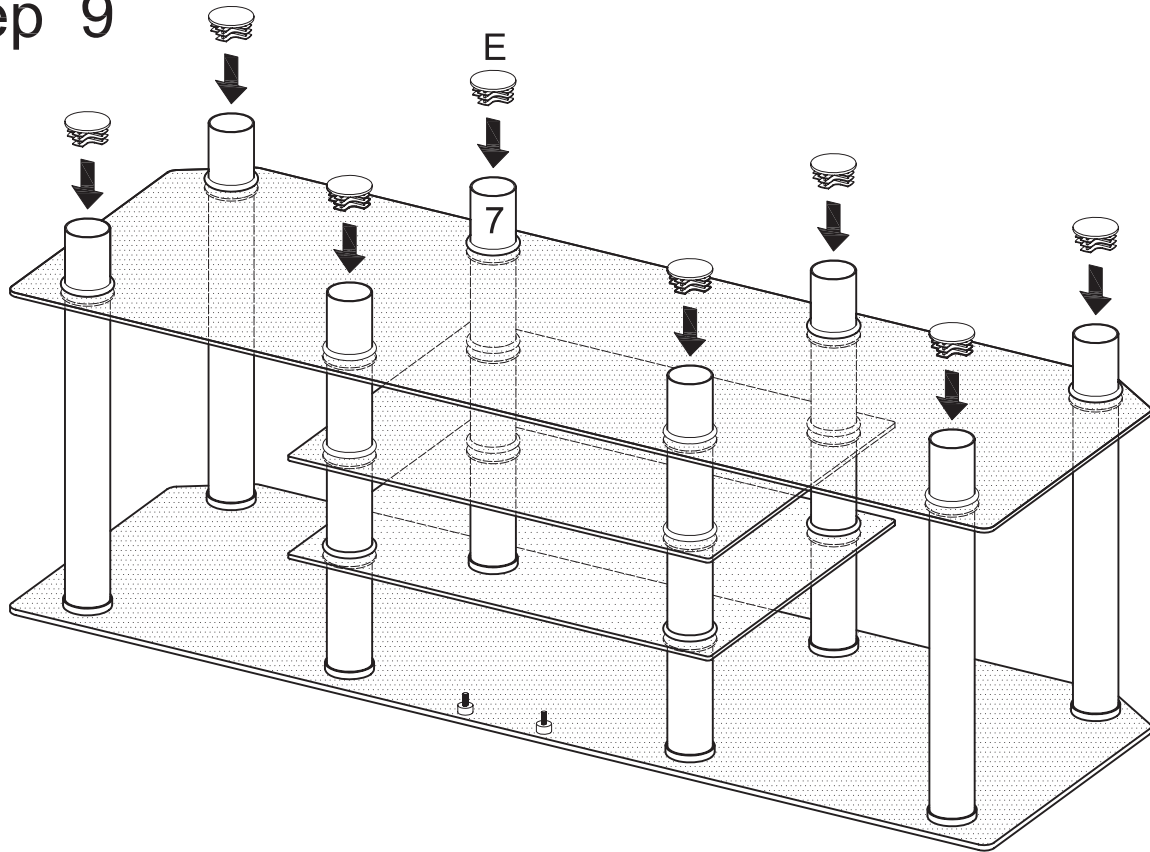
## Step 8



Screw cylinders (7) onto long rods (A). Cylinders (7) will fit snugly into the decorative rings placed in the previous step.

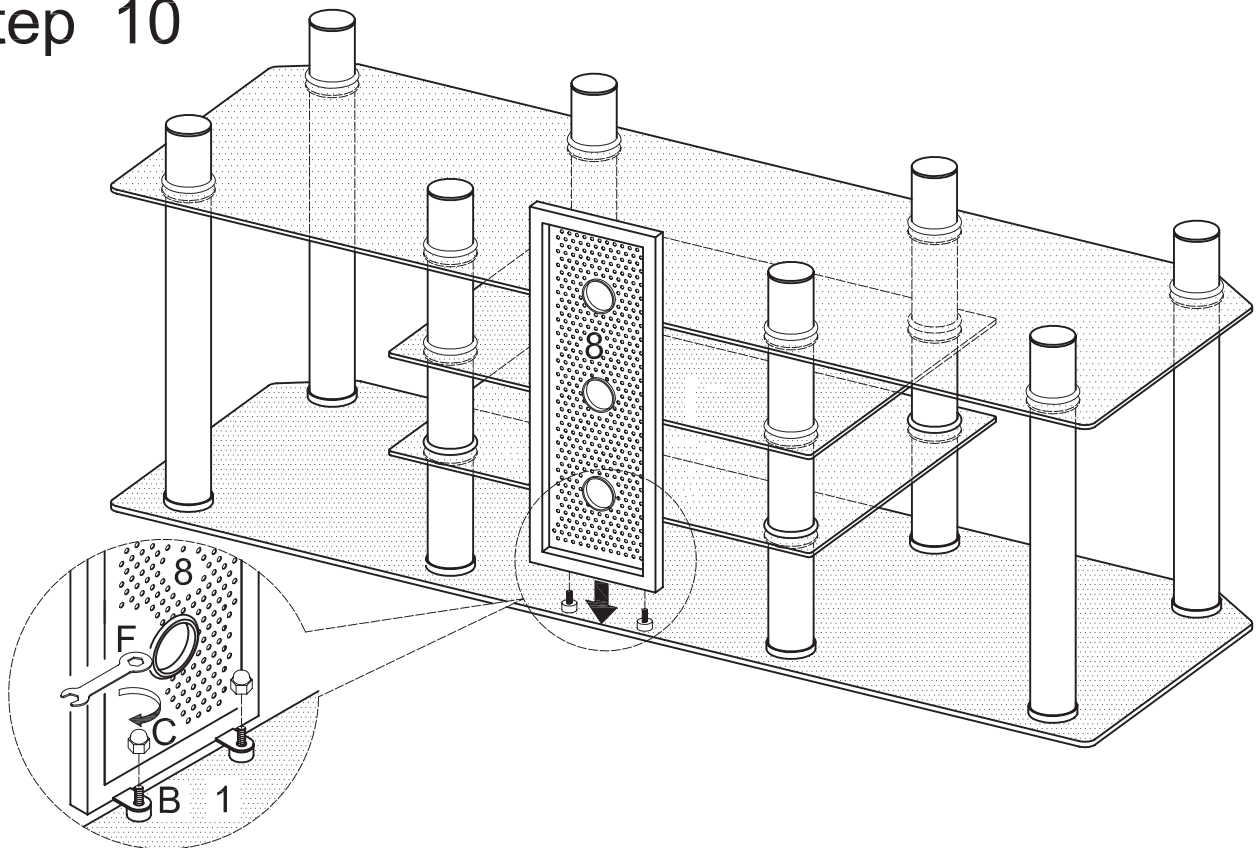


## Step 9



Insert caps (E) into cylinders (7). Note that caps (E) may come pre-inserted into cylinders (7).

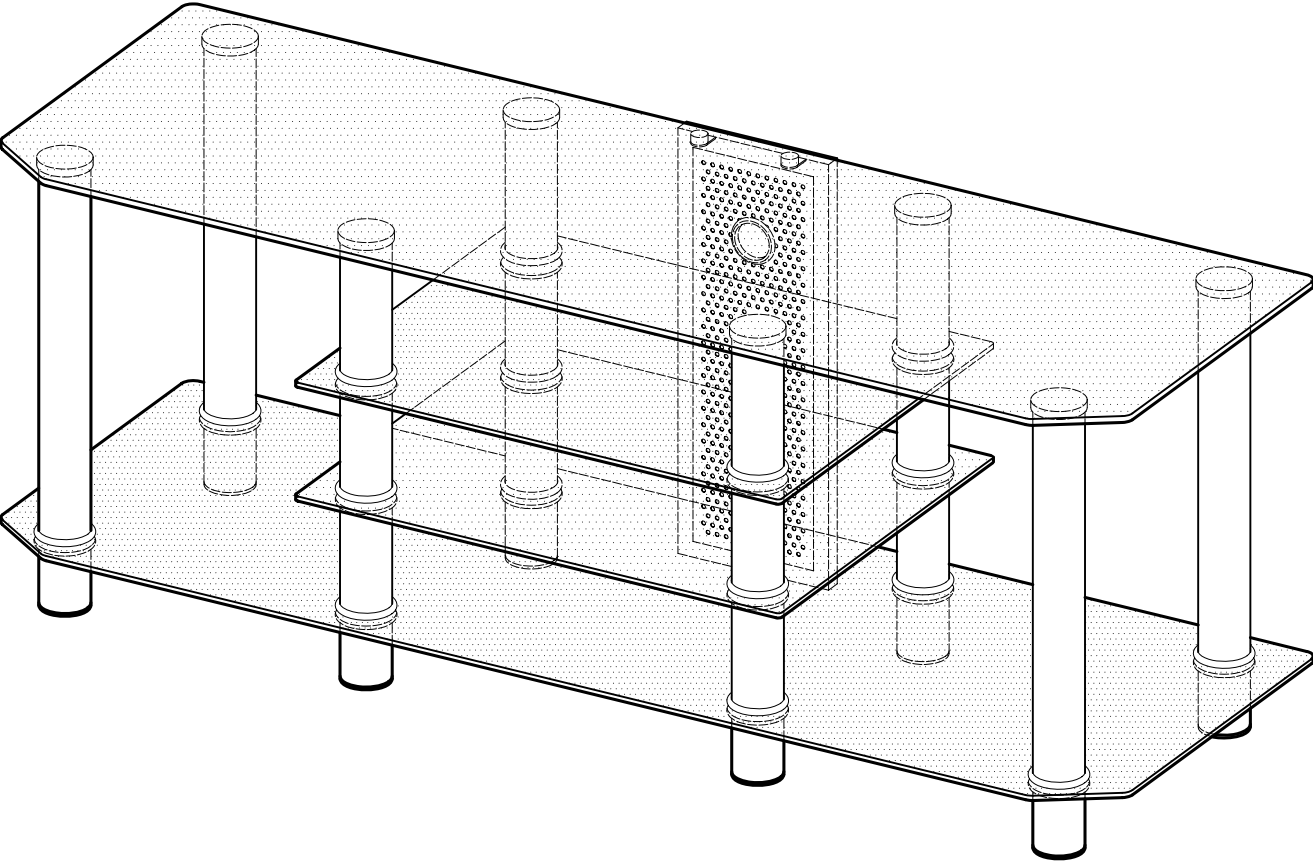
## Step 10



To attach cable management system (8) to the stand, place appropriate holes of cable management system (8) over short rods (B). Screw cap nuts (C) onto short rods (B) and tighten with wrench (F).



# Step 11



## Final Assembly

## Free Manuals Download Website

<http://myh66.com>

<http://usermanuals.us>

<http://www.somanuals.com>

<http://www.4manuals.cc>

<http://www.manual-lib.com>

<http://www.404manual.com>

<http://www.luxmanual.com>

<http://aubethermostatmanual.com>

Golf course search by state

<http://golfingnear.com>

Email search by domain

<http://emailbydomain.com>

Auto manuals search

<http://auto.somanuals.com>

TV manuals search

<http://tv.somanuals.com>