

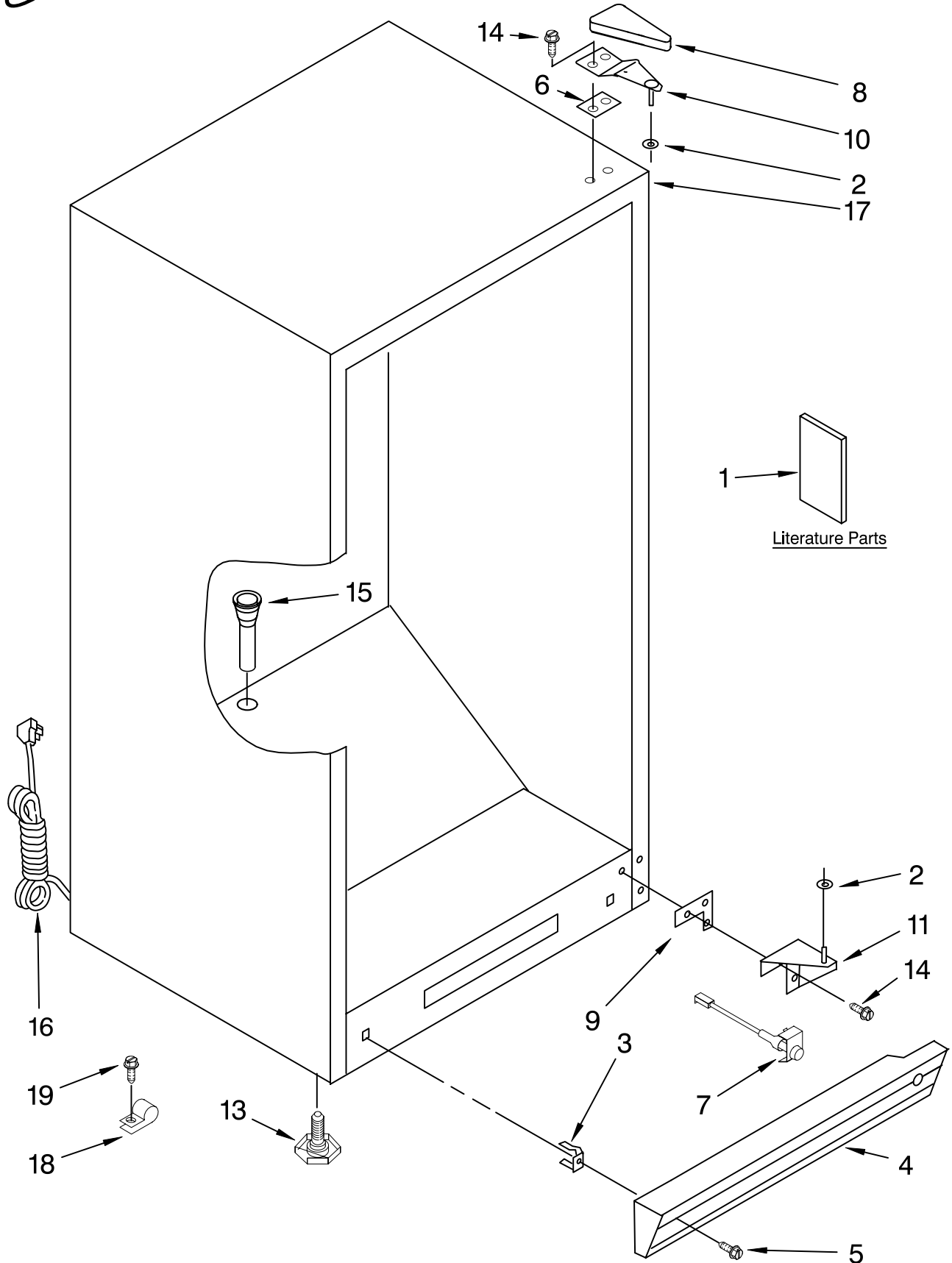


CABINET PARTS

For Model: EV250NXRQ00

(White)

VERTICAL FREEZER



FOR ORDERING INFORMATION REFER TO PARTS PRICE LIST

CABINET PARTS

For Model: EV250NXRQ00

(White)

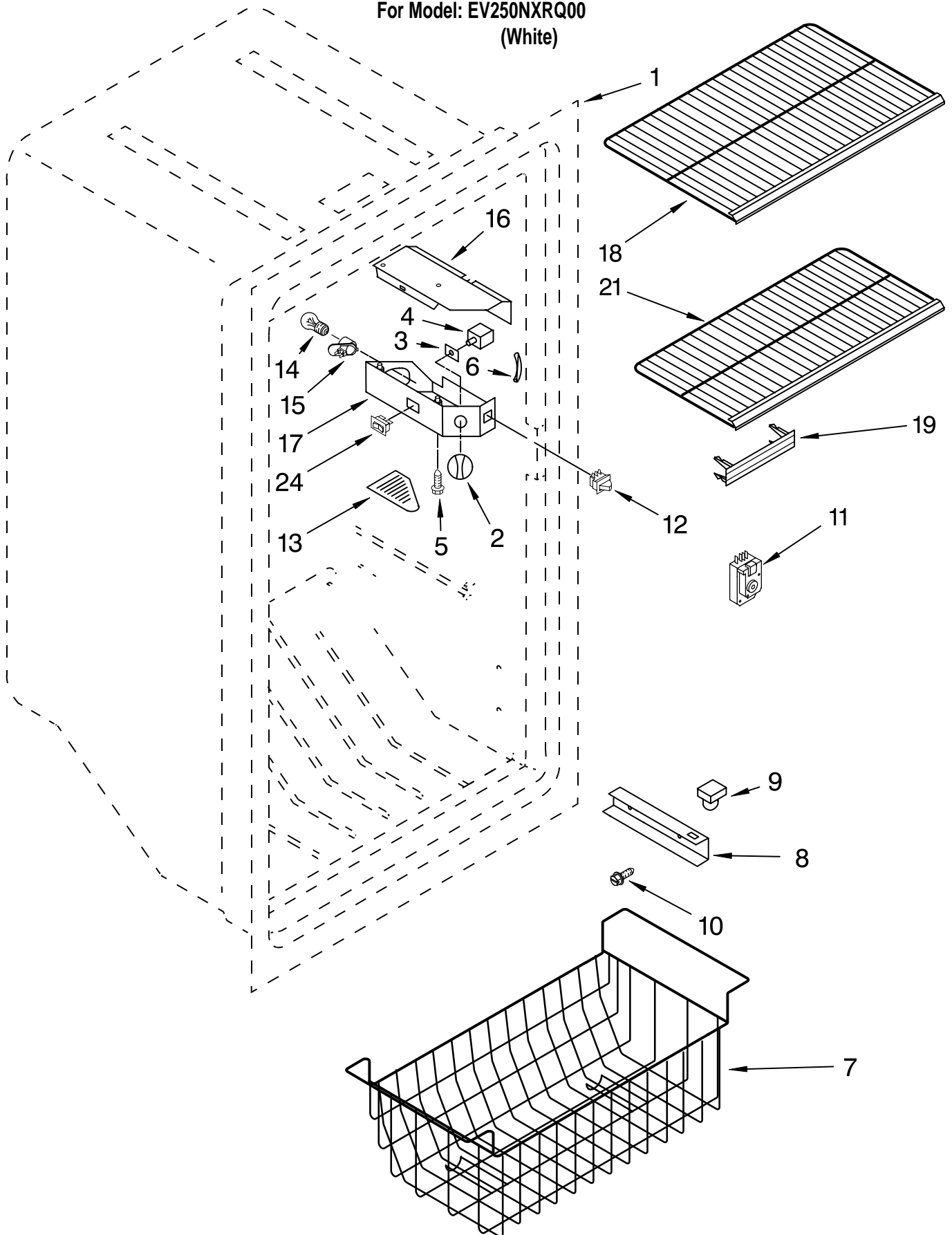
Illus. No.	Part No.	DESCRIPTION
1		Literature Parts
	8210432	Owners Manual
	4390855	Energy Label/Tag
2	4390520	Washer, Door Spacer
3	4356803	Clip, Grille
4	8210272	Grille
5	4357243	Screw
6	4390489	Shim, Hinge
7	4390905	Power Light Assembly
8	4357121	Cover, Hinge
9	4390489	Shim, Bottom
10	8210222	Hinge, Top
11	8210238	Hinge, Bottom
13	4390866	Leg, Leveler
14	4356830	Screw
15	4357268	Grommet, Drain
16	8210375	Cord, Power
17		Cabinet (Not A Serviceable Part)
18	4356643	Clamp, Tube
19	4356583	Screw

FOR ORDERING INFORMATION REFER TO PARTS PRICE LIST

LINER PARTS

For Model: EV250NXRQ00

(White)



FOR ORDERING INFORMATION REFER TO PARTS PRICE LIST

LINER PARTS

For Model: EV250NXRQ00

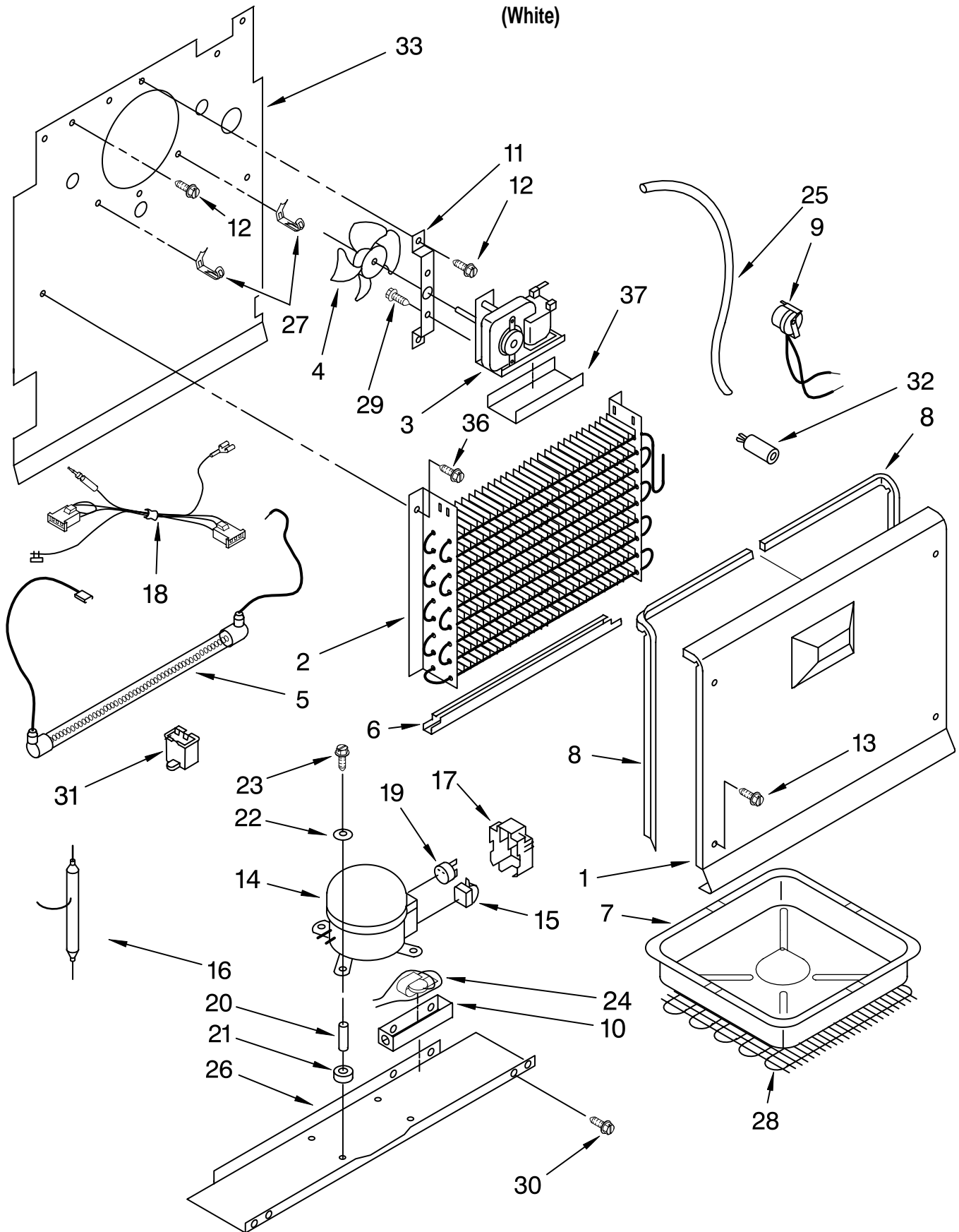
(White)

Illus. No.	Part No.	DESCRIPTION
1		Liner (Not A Serviceable Part)
2	8210348	Knob, Control
3	4357041	Control Plate
4	8210344	Thermostat
5	4357042	Screw
6	4356800	Tubing, Thermostat
7		Basket
	4390799	Upper Basket
	4390793	Lower Basket
8		Support, Basket
	4390819	Right
	4390820	Left
9	4390796	Stop, Basket
10		Screw, Support
	4390797	3/4"
	4390798	1 1/2"
11	4357124	Defrost Timer
12	4390513	Switch, Light
13	8210349	Lens, Light
14	4390465	Bulb, Light
15	8210350	Socket, Light
16	8210351	Shield, Light
17	8210377	Box, Control
18	4390850	Shelf, Upper Wire
19	4357295	Vent Plug (4)
21	8210369	Shelf, Lower Wire
24	8210370	Switch, Alarm (Illuminated)

FOR ORDERING INFORMATION REFER TO PARTS PRICE LIST

UNIT PARTS

For Model: EV250NXRQ00
(White)



FOR ORDERING INFORMATION REFER TO PARTS PRICE LIST

UNIT PARTS

For Model: EV250NXRQ00
(White)

Illus. No.	Part No.	DESCRIPTION
1	4390662	Cover, Evaporator
2	4390862	Evaporator
3	4357004	Fan Motor
4	4356920	Fan Blade
5	4390861	Heater Defrost
6	4390860	Shield Heater
7	4390675	Pan, Drain
8		Gasket, Cover Evaporator
	4390663	Right
	4390664	Left
9	8210373	Bi-Metal Defrost
10	4390708	Box, Control
11	4357129	Bracket, Motor
12	4356943	Screw, Motor
13	4357110	Screw (4)
14	4390806	Compressor (Includes Items 15,16,17,19 & 21)
15	4356738	Relay
16	4357299	Drier
17	4356777	Cover
18	8210376	Harness, Fan
19	4390808	Overload
20	4356846	Sleeve
21	4356335	Compressor, Grommet
22	4356847	Washer
23	4356852	Screw, Compressor
24	4390709	Alarm (Buzzer)
25	4390864	Heat, Exchanger
26	4390807	Pan, Compressor
27	4356952	Clip, Thermostat
28	8210372	Condenser
29	4356970	Screw
30	4357277	Screw
31	8210224	Capacitor
32	4357020	Grommet
33	4390858	Plate, Evaporator Mount
36	4357110	Screw
37	4357128	Shield, Motor

REFRIGERANT CHARGE

6.2 oz.
(R-134A)

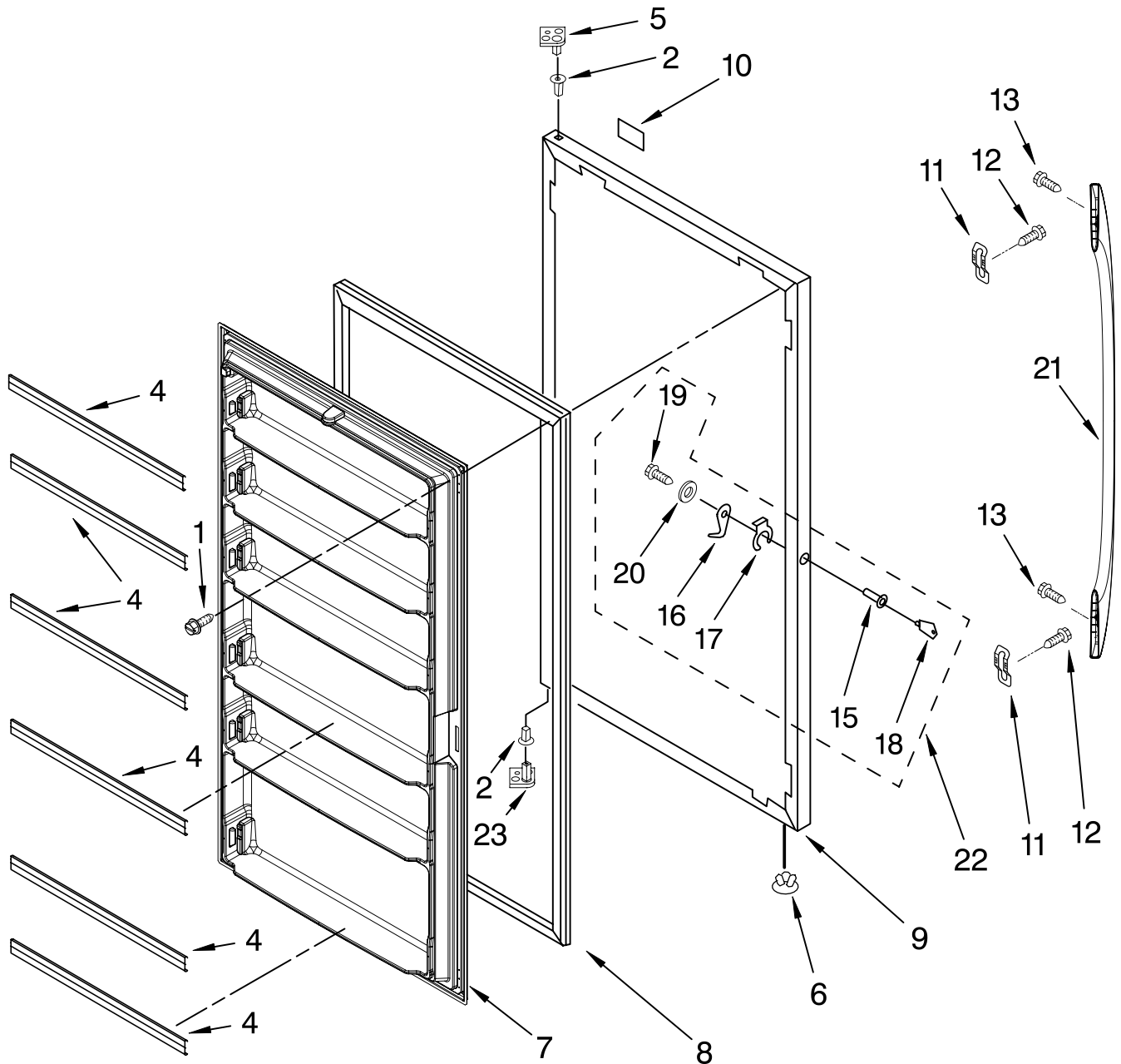


FOR ORDERING INFORMATION REFER TO PARTS PRICE LIST

DOOR PARTS

For Model: EV250NXRQ00

(White)



Illus. No.	Part No.	DESCRIPTION
1	4357290	Screw Kit (50 pcs)
2	4390659	Bushing, Hinge
4	4390805	Rail, Door (6)
5	8210401	Stop, Door (Upper)
6	4357067	Vent Plug
7	8210371	Door, Interior
8	4390803	Gasket, Door

Illus. No.	Part No.	DESCRIPTION
9	8210366	Door, Exterior
10	4390670	Nameplate
11	2255411	Clip
12	489491	Screw
13	8533920	Screw
15	4356839	Lock, Body
16	4357289	Lock, Bolt
17	4356842	Spring Clip
18	4356840	Key

Illus. No.	Part No.	DESCRIPTION
19	4356843	Screw
20	4356992	Washer
21	2313345W	Handle
22	4357145	Lock Assembly (Includes Items 15, 16, 17, 18, 19 & 20)
23	8210400	Stop, Door (Lower)

FOR ORDERING INFORMATION REFER TO PARTS PRICE LIST

OPTIONAL PARTS (NOT INCLUDED)

For Model: EV250NXRQ00

(White)

<u>Illus. No.</u>	<u>Part No.</u>	<u>DESCRIPTION</u>
-------------------	-----------------	--------------------

Parts Not Illustrated and
Optional Parts (Not Included)

Customer Touch-Up Material

*350930 Enamel, White
(13 Oz. Spray Can)
72017 Brush Touch-Up Kit
(White)

***Important:** The spray paint is
not to be used where the paint
may make contact with the door
gaskets.

Refinishing Material

799344 Enamel, White
(1 Qt. Uncut)

Miscellaneous

212643 Sealer, Gum
(4 Feet)
479502 Tape, Vinyl
(3/4 x 108")
978941 Insulation
Fiberglass
(63-1/2" x 35-1/2
x 2-5/8")
505587 Sealer Mastic
(1 Qt.)
503695 Cork Sealer
(1/4 Pound)

FOR ORDERING INFORMATION REFER TO PARTS PRICE LIST

Free Manuals Download Website

<http://myh66.com>

<http://usermanuals.us>

<http://www.somanuals.com>

<http://www.4manuals.cc>

<http://www.manual-lib.com>

<http://www.404manual.com>

<http://www.luxmanual.com>

<http://aubethermostatmanual.com>

Golf course search by state

<http://golfingnear.com>

Email search by domain

<http://emailbydomain.com>

Auto manuals search

<http://auto.somanuals.com>

TV manuals search

<http://tv.somanuals.com>