



EUROPEAN TOUCH™
The World's Finest Pedicure Spas



PLATINO SPA™

CRYSTAL CLEAN™ PIPE-FREE®

OWNER'S MANUAL

European Touch - Limited Warranty

EUROPEAN TOUCH manufactures the Platino® Whirlpool Pedicure Spa with the highest standards for quality materials and workmanship accordingly; EUROPEAN TOUCH expressly warrants their products as follows:

To the **original owner** of the Platino® Whirlpool Pedicure Spa (herein called "pedicure spa"): EUROPEAN TOUCH may repair or exchange at its option, any pedicure spa found to be defective in material or workmanship upon inspection by an authorized representative of EUROPEAN TOUCH. This warranty covers the following components for the following time periods:

- All components: One (1) year from date of shipment.

The exchange of a pedicure spa is limited to supplying a replacement pedicure spa of comparable style and size. EUROPEAN TOUCH may, at its own discretion, use refurbished parts or spas for replacement purposes. Owner must pay all labor and shipping charges necessary to replace or repair the pedicure spa. NO CONSEQUENTIAL, INCIDENTAL, OR CONTINGENT DAMAGES WILL BE ALLOWED WHATSOEVER. This warranty is null and void if the pedicure spa is removed from its place of initial installation, or is not installed in accordance with federal, state or local codes and ordinances. Furthermore, this warranty does not apply if the pedicure spa has been subject to misapplication, improper installation or maintenance, negligence, improper cleaning or other circumstances beyond EUROPEAN TOUCH's control.

NOT COVERED

- 1) Damage to pump parts and/or motor parts due to obstruction in plumbing lines, etc.
- 2) Staining, fading or discoloration of plastic surfaces due to exposure and/or the use of harmful cleaning agents or chemicals.
- 3) Staining, fading, or discoloration caused by poor water chemistry or due to improperly maintaining water chemistry is not covered by this warranty.
- 4) Malfunctions or damage caused by improper installation; including not meeting local and state plumbing, electrical, and building codes.
- 5) Staining, fading or discoloration of the vinyl seat, armrests or footrest.
- 6) Damage resulting from standing in the basin.
- 7) Freight damage, misuse, neglect, accident, natural disaster, and abuse.
- 8) Unauthorized repairs.

Should service be required for any reason of any defect or any malfunction during the warranty period, please contact:

EUROPEAN TOUCH
Technical Support
8301 W. Parkland Court
Milwaukee, WI 53223
Phone Number: 414-357-7016
Toll Free: 1-800-626-6912
Fax: 414-357-6360

<http://www.europeantouch.com>
info@europeantouch.com

The owner agrees by using this pedicure spa that the obligation of EUROPEAN TOUCH shall not extend to indirect or contingent damage, of injury, which may result from such use that the obligation of EUROPEAN TOUCH are limited to those set forth herein, and other obligations, expressed or implied are assumed by EUROPEAN TOUCH.

No dealer or other person has any authority to bind EUROPEAN TOUCH to changes or additions to this warranty or its products. Accordingly, EUROPEAN TOUCH is not responsible for any such warranties or representations.



Certificate of Compliance

For

European Touch

8301 W. Parkland Court
Milwaukee, WI
U.S.A. 53223

For Compliance of:

Equipment: Whirlpool Pedicure Spa
Model No.: PLATINO
Rated: 220-240VAC, 50Hz, 7.5A

To the following standard(s):

- EN 60335-1:2002
- EN 60335-2-32:2002
- EN 55014-1 (Generic): 2001
- EN 55014-2 (Generic): 2003
- EN 61000-4-2 (Criteria C): 2001
- EN 61000-4-3:2002
- EN 61000-4-4: 1995
- EN 61000-4-5: 2001
- EN 61000-4-6: 2001
- EN 61000-4-11: 2004

Project No.: 8311-2
Issue Date: January 25, 2006
Expiry Date: January 25, 2009

Issued by:

Kavinder Dhillon
President

ONE STOP GLOBAL CERTIFICATION SOLUTIONS





EUROPEAN TOUCH™ OWNERS MANUAL For Platino® Whirlpool Pedicure Spa

Important Information

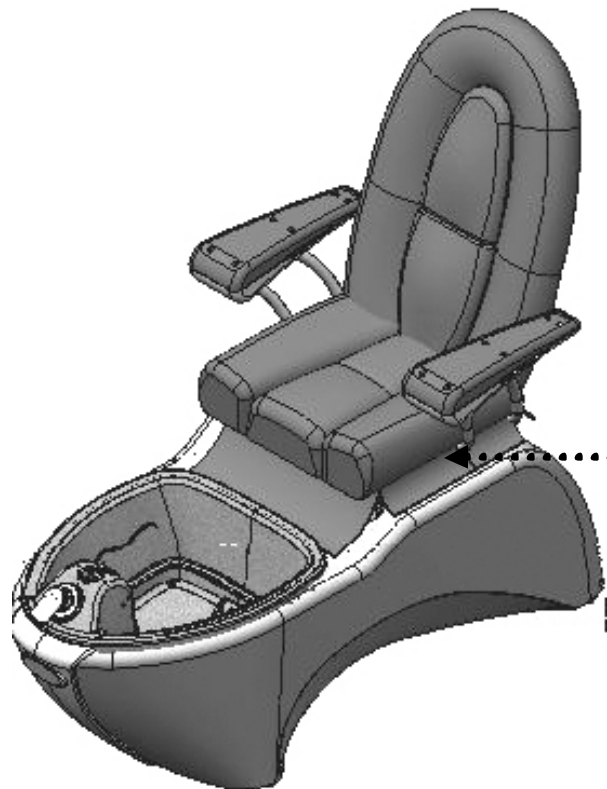
Serial Number: _____

Work Order Number: _____

Installed by: _____

Installation Date: _____

The serial number and work order number are located under the seat bottom cushion on the seat track plate.



Remove seat bottom cushion to locate the serial number and work order number located on seat frame.

Table of Contents

European Touch - Limited Warranty	2
Certificate of Compliance	3
Important Information	4
Introduction.....	6
Important Requirements.....	6
Precautions.....	6
Health Risk Warning.....	6
Installation Specifications Summary.....	7
Location and Support.....	7
Important Installation and Utility Information.....	8
Dimensional Drawings.....	9
Pedicure Spa Specifications.....	11
Installing and Removing the Side Panels	13
Installing the Floor Mounting Brackets.....	13
Remote Control Configurations.....	14
Component Reference	15
Pedicure Product Guidelines.....	15
Operating Instructions	16
Cleaning and Disinfecting Procedures.....	17
Removing / Replacing Drain Handle.....	18
Removing / Replacing Impeller.....	18
History and Notes.....	19



EUROPEAN TOUCH™

Introduction

Thank you for selecting EUROPEAN TOUCH, the leading designer, manufacturer, and marketer of pedicure spas in North America. The Platino® Whirlpool Pedicure Spa (herein referred to as pedicure spa) is an innovative whirlpool pedicure spa that has been designed to serve you dependably for many years. Please take time to thoroughly read this entire manual before installation and use. If you have any problems or have questions regarding your pedicure spa, please contact EUROPEAN TOUCH's Technical Support Department at **1-800-626-6912**, Monday through Friday 8 AM to 5 PM CST. After hours calls are recorded and attended to the next business day.

Important Requirements

EUROPEAN TOUCH requires that you contact your local, licensed plumber and licensed electrician to install your new pedicure spa. Installation must be in compliance with all your local and state building codes. Your pedicure spa cannot operate efficiently or safely unless it is provided with adequate electrical power, sufficient water pressure, proper water temperature, and required drainage capabilities. Contact your local building inspector for information and local code compliance procedures that need to be followed when having your pedicure spa installed. Subsequent inspections and approvals that may be required are the responsibility of the purchaser. (See **limited warranty regarding incidental or consequential exclusions – page 2**).

- Do not stand in the basin of the pedicure spa!
- Excessive water temperature is dangerous and should be checked before use. Maximum operating water temperature should not exceed 105° F (41° C) and the maximum supply water temperature should not exceed 150° F (65° C). (*Massachusetts State Code: the maximum supply water temperature should not exceed 130° F (54° C)*)
- The appliance has a heated surface. Persons insensitive to heat must be careful when using the appliance.
- Always enter and exit the pedicure spa slowly and carefully.
- Never bring or operate any electrical devices into or near the pedicure spa.
- This pedicure spa has a weight capacity of 250 pounds.

Individuals whose feet or legs are inflamed or have open wounds should not be allowed to use the pedicure spa at any time. Nail technicians should advise clients to consult their physician before using the pedicure spa if there is any sign of fungal infection, swelling, fracture, or persistent pain. In some cases diabetics may experience improved circulation in their feet, but should first consult their physician prior to receiving a pedicure.

If the client experiences any pain or discomfort discontinue the use of the pedicure spa immediately.

Your client's massage and pedicure spa experience should be pleasant and comfortable.

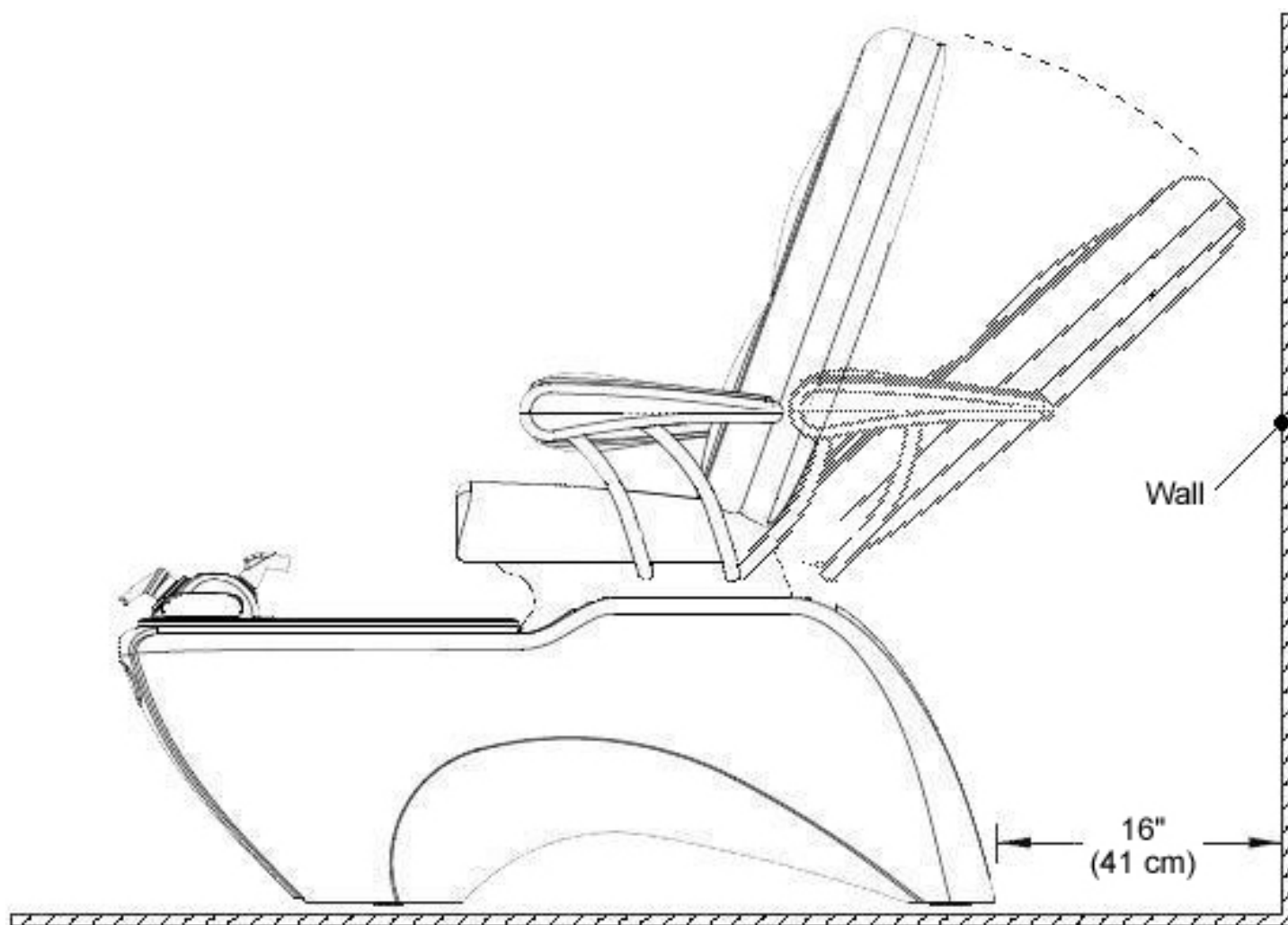
Installation Specifications Summary

Note: Failure to comply with federal, state or local codes and ordinances will result in warranty being null and void.

As stated, the pedicure spa installation must comply with all plumbing and electrical codes. A licensed plumber and licensed electrician must complete the applicable connections of the pedicure spa.

Select a level location. The floor structure beneath the pedicure spa must be capable of supporting the occupied pedicure spa.

For the seat back to fully recline, the pedicure spa base must be mounted 16 inches from the wall as shown below :



Important Installation and Utility Information

Electrical Service:

110V: 110V, 60 Hz, 2.75 Amp GFCI protected grounded circuit must be used to supply power to the pedicure spa. (220V if ordered in 220V configuration)

220V: 220V, 50/60 Hz, 2.75 Amp GFCI protected grounded circuit must be used to supply power to the pedicure spa.

Water Supply:

All plumbing connections must conform to local codes.

Normal water pressure of 30 to 80 PSI is required to correctly fill the basin to the proper level.

Maximum operating water temperature should not exceed 105° F (41° C) and the maximum supply water temperature should not exceed 150° F (65° C). (In Massachusetts, the maximum supply water temperature should not exceed 130° F (54° C)). Adjust your hot water heater accordingly.

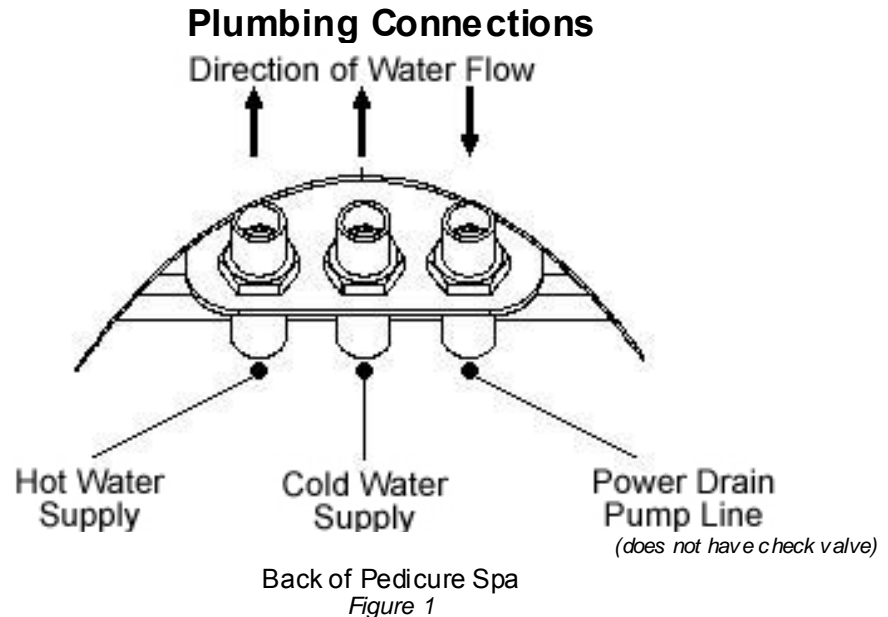
For hot and cold water supply fittings and power drain fittings location, see figure 1 below.

Carefully connect the incoming water supply lines to the appropriate fittings located on the back of the pedicure spa. Shut-off valves are recommended.

The pedicure spa drain must meet local plumbing codes. **Check valve for drain are not provided and must be installed by a licensed plumber, if required by Local or State codes.**

***Note: See local and state codes as to what type of drain connection is required to be made.*

Hot & Cold supply fittings contain Neoperl® DW15GF check valves. See figure 1 for proper flow direction.



Backflow Protection Devices for Faucets with Side Spray: Check valves comply with ANSI/ASME A112.18.3M, A112.18.1M, CSA B125, and NSF 61

ANSI/ASME A112.18.3M (Performance Requirements for Backflow Protection Devices and Systems in Plumbing Fixture Fittings) is applicable to plumbing fixture fittings with outlets not protected by an air gap. Included in the possible range of applications are fittings with hose connected outlets, fittings with pullout spout, hand held showers, shampoo fittings and deck-mounted fittings. ASME A112.18.3M is now referenced in ASME A112.18.1M (Plumbing Fixture Fittings) and CSA B125. Check valves are listed to both standards with the Canadian Standards Association, IAPMO and UL.

ANSI - American National Standards Institute

ASME - American Society of Mechanical Engineers

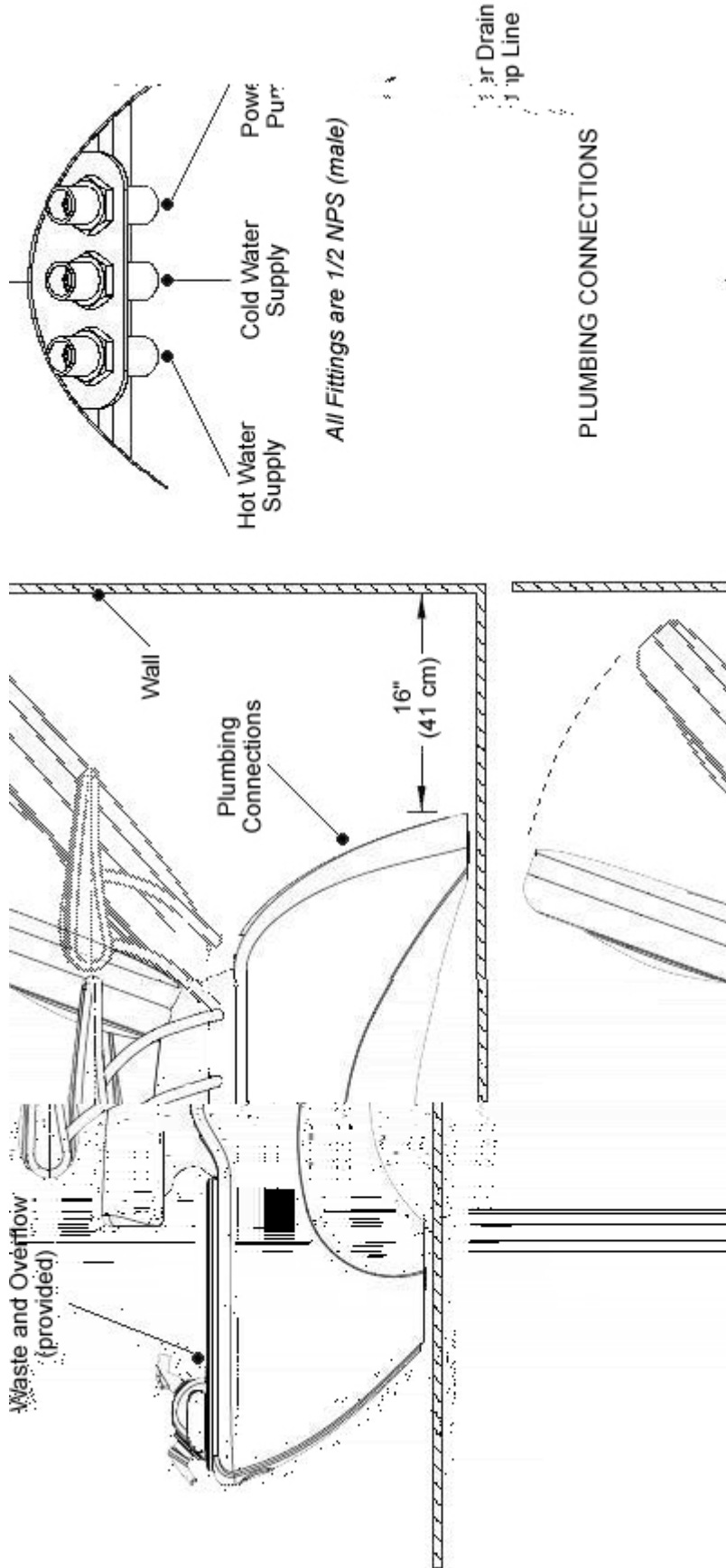
CSA - Canadian Standards Association

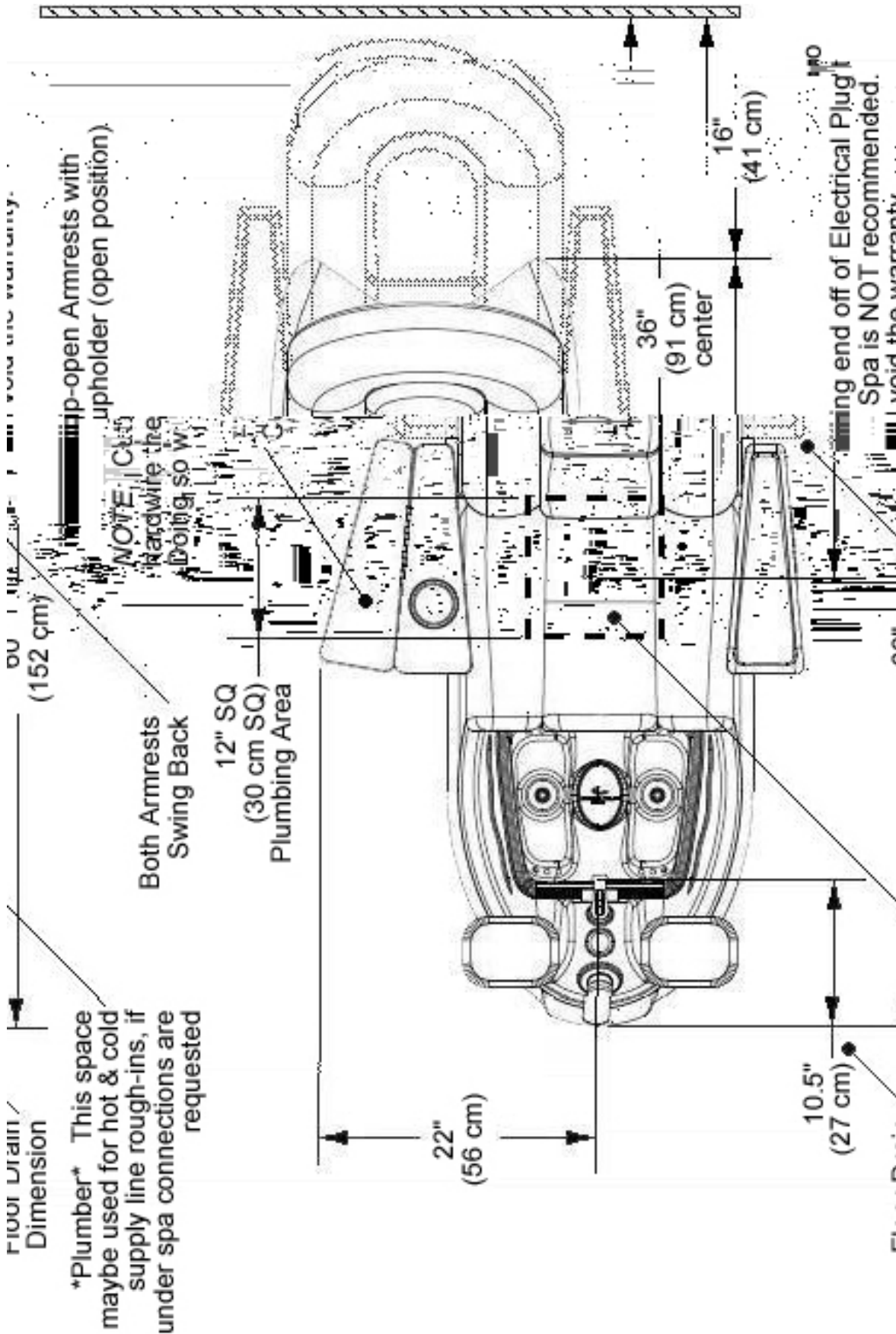
IAPMO - International Association of Plumbing and Mechanical Officials

UL - Underwriters Laboratory

TÜV - Technischer Überwachungs-Verein "Technical Watch-Over Association"

Dimensional Drawings





Pedicure Spa Specifications

***Hot and cold water supply lines required** (hot and cold shut offs may be installed under pedicure spa base)

***Drain installation:** References noted on page 9, standard unit comes with drain pump.

Overall dimensions without accessories, seat upright: 60"L (152cm) x 44"W (112cm) x 60"H (152cm)*

Overall dimensions, seat upright, both armrests open w\ cup holders exposed:

60"L (152cm) x 44"W (112cm) x 60"H (152cm)

Without accessories, seat collapsed, both arms closed:

(Shipping position): 60"L (152cm) x 32"W (81cm) x 37"H (94cm)*

Maximum area required for full chair and armrest movement:

77"L (196cm) x 44"W (112cm) x 60"H (152cm)*

Shipping dimensions: 65"L (165cm) x 33"W (84cm) x 65"H (165cm)*

Empty weight: 179 lbs. (81kg)*

Shipping weight: 245 lbs. (102kg)*

Capacity of basin: Will hold up to 6.0 U.S. Gallons; water level markings at 5.5 U.S. gallons

Whirlpool pump motor: **110V:** 1/6 HP, 110V, 60Hz (alternate voltages available)
220V: 1/6 HP, 220V, 50/60Hz

Seat and back motors: 24V DC Linear Actuators. Spa requires 16" (41 cm) of space between pedicure spa and wall with standard actuator

Massage motor: 12V AC, Adapter included (alternate voltages available)

Power source: **110V:** 110V AC, 2.75 Amp, 60 Hz (GFCI Protected)
220V: 220V AC, 2.75 Amp, 50/60 Hz (GFCI Protected)

Caution: Pedicure spa must be installed by a licensed electrician and a licensed plumber, conforming to all local and national electrical codes.

Construction: Metal Frame with Acrylic Fiberglass Shells, self-contained, pre-plumbed

Crystal Clean™ Pipe-Free® water massage system (Pipe-Free pedicure spas): Six 'underfoot' footplate water massage grooves, no closed loop circulating pipes, 100% fully drained, and cleanable

Electrical switches: On/Off switch for whirlpool pump. A single hand-held, low voltage remote control for massage motors, heat and seat/back position. Hot and Cold water supply lines required.

Compliances: Complies with ASME/ANSI Whirlpool Bathtub Specs ASME/ANSI A112.19.7M-1995 and A112.19.8M-1995. Backflow Protection Devices for Faucets with Side Spray: Check valves comply with ANSI/ASME A112.18.3M, A112.18.1M, CSA B125, and TÜV certified.

Electrostatic Limits: This unit may lose one or more functions when electrostatic contact discharge in excess of 4KV gets into accessible conductive part of the unit and can be restored by resetting the unit.

This unit may lose one or more functions when power surge in excess of 2KV is applied to the AC input power port and can be restored by resetting the unit.

This unit may lose one or more functions when subjected to fast transient voltages in excess of 0.5KV at 5 KHz repetition frequency and can not be restored.

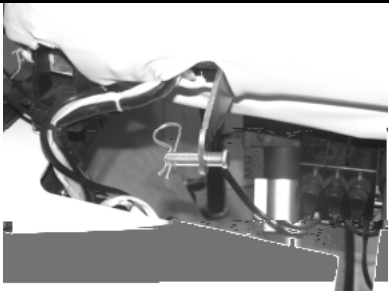



Limited warranty: One (1) year from date of shipment.

Due to our policy of continuous improvements, all specifications are subject to change without notice.

**Note: All dimensions and weights are approximate*

Attaching the Seat Back and Seat Bottom Cushion


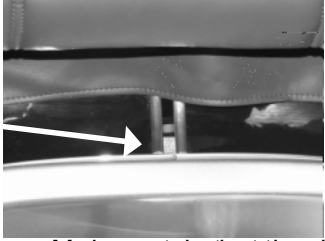

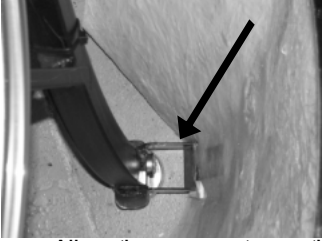


Your pedicure spa shipped with the seat back already attached to the spa and with the seat bottom cushion in the spa shipping box. Follow these instructions to connect the seat back and the seat bottom to the pedicure spa:

 <p>Remove the hitch and clevis pins located on the seat back mounting bracket on the back of the chair.</p>	<p>The seat bottom cushion will be located in the spa on top of the spa basin. Remove the seat bottom cushion from the spa basin.</p>
 <p>Slide the seat bracket into the black end on the linear actuator, and line up the holes.</p>	 <p>With the Chair fully reclined, attach the seat bottom cushion to the spa, aligning the seat bottom cushion with the provided Velcro strips. Ensure that the rear of the seat bottom cushion is tight against the seat back.</p>
 <p>Slide the clevis pin through the holes and secure by inserting the hitch pin through the small hole on the clevis pin.</p>	

Please make sure that all parts are removed from the box before discarding the box. If any parts are missing, you must contact EUROPEAN TOUCH within 30 days of the delivery date for replacement at 800-626-6912.

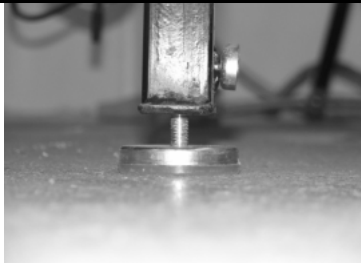
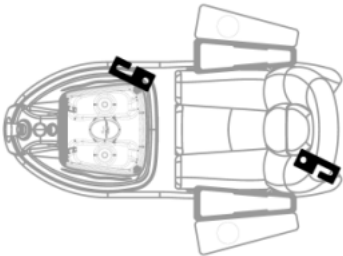
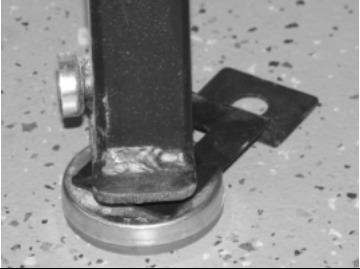
Installing and Removing the Side Panels

To install the side panels on your spa follow the instructions below:

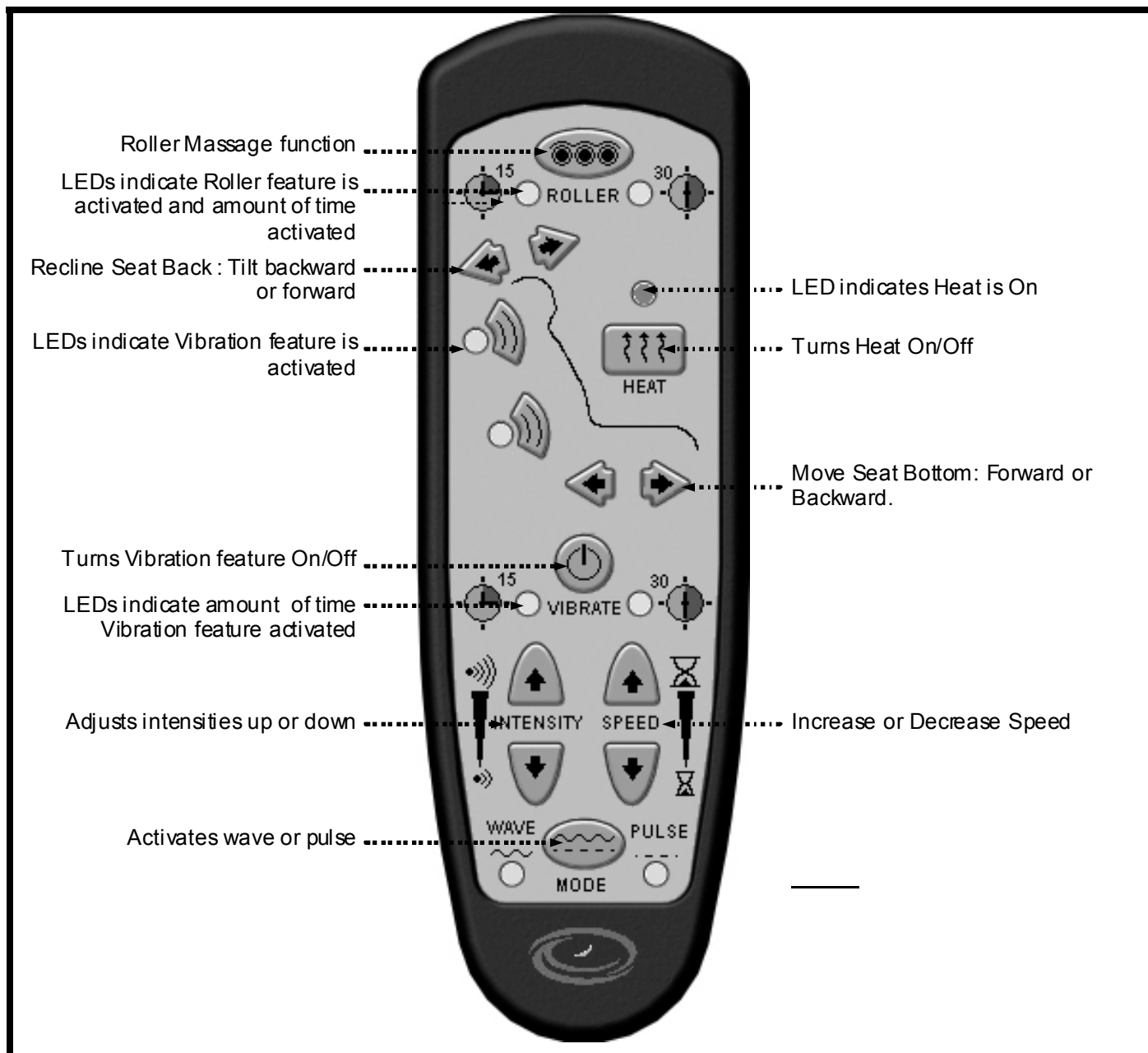
 <p>Slightly lift side panel into place on spa frame.</p>	 <p>Make certain that the side panels lay above the frame at the top of the basin, as shown above.</p>	 <p>Align the thumbscrew holes located under cushion skirt, and screw in the thumbscrew.</p>
 <p>Align the magnets on the frame legs with matching brackets found on the inside of the side panel. There is one set on each leg.</p>	 <p>The side panel should fit under the lip of the basin, as shown above.</p>	 <p>Install the front plate by aligning the magnets to the matching brackets and pressing into place.</p>
<p>Reverse steps one through six.</p>		

Installing the Floor Mounting Brackets

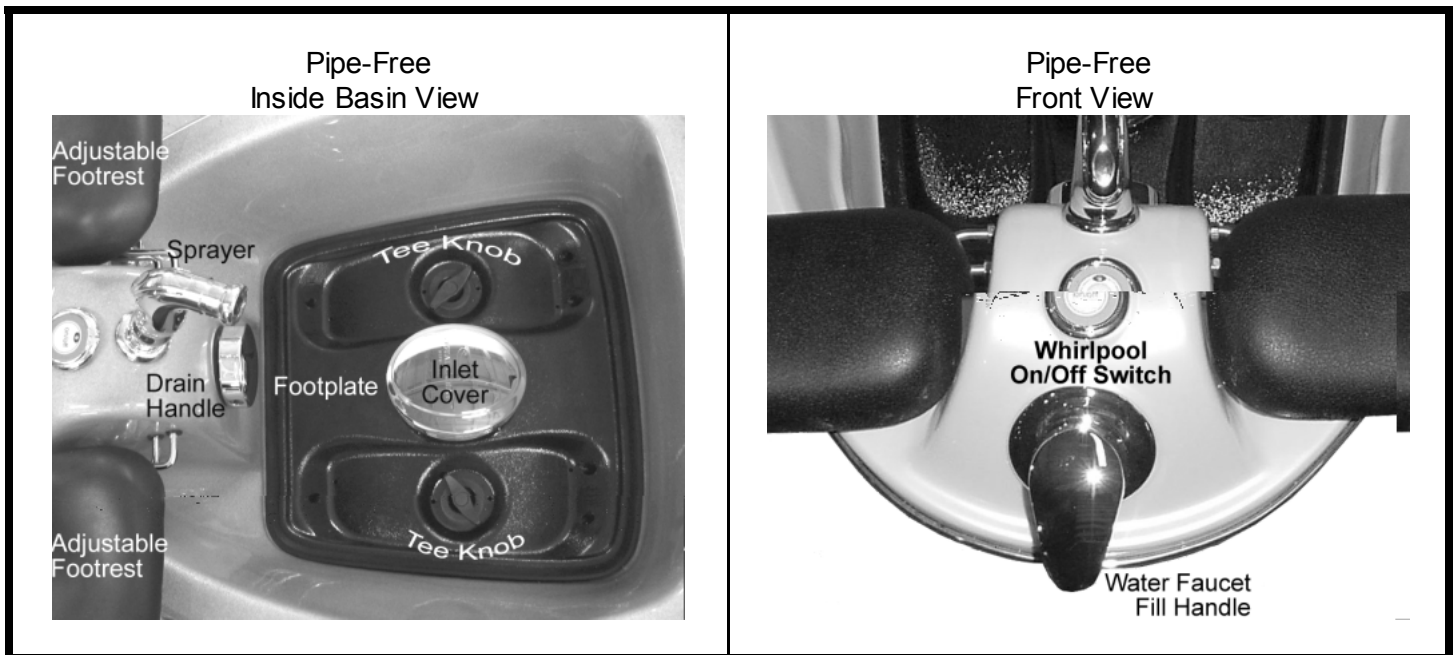
To install the floor mounting brackets on your spa follow the instructions below:

 <p>Adjust the leveling feet until you have at least a 1/4" gap.</p>	 <p>Place the floor mounting brackets on to leveling feet diagonally from each other. (2 brackets provided)</p>
	
<p>Mark spots to be drilled. Bracket has 1/2" hole. If mounting to floor, use (2) 3/8" floor lag bolts with washer – not provided.</p>	

Remote Control Configurations



Component Reference



Pedicure Product Guidelines

Because there are so many different products on the market, it is difficult to list all of the pedicure products that are safe to use in our pedicure spas. However, the following guidelines can be used:

- It is your responsibility to understand and follow your state's regulations regarding product cleaning and disinfecting requirements.
- Do not use any products containing a foaming agent; this will cause excessive foam.
- It has been determined that products containing non-dissolving abrasives (such as sand and sea salts) will not harm the internal component structure of your pedicure spa as long as the entire EUROPEAN TOUCH cleaning requirements are followed without deviation.
- Oil based products may be used in your pedicure spa as long as the cleaning requirements are met.
- Please use pedicure products and cleaning solutions in accordance with each manufacturer's directions.

EUROPEAN TOUCH whirlpool pedicure spas will give you many years of service as long as proper precautions and precise cleaning and operating instructions are followed. It is the responsibility of the pedicure spa user to properly clean the pedicure spa.

If you are experiencing problems cleaning your pedicure spa, please contact the manufacturer of your pedicure products or EUROPEAN TOUCH Technical Support at 800-626-6912.

Operating Instructions

Preparing the Pedicure Spa for Operation:

After the pedicure spa is installed and the plumbing and electrical connections are made, clean and disinfect the basin before initial use. Rinse the basin by using the attached water sprayer. Wipe the basin dry with a clean towel.

To Operate the Pedicure Spa, Follow These Easy Steps:

Adding Water to the Pedicure Spa Basin:

1. Close the drain by turning the chrome drain handle counter-clockwise until it stops.
2. Add water to the basin by lifting upward on the water faucet fill handle. Turn the handle in a counter-clockwise direction for cold water or clockwise for warm water as indicated by the red (hot) and blue (cold) markings around the handle (CAUTION: hot water can burn skin). Continue to add water until the **top** of the fill line is reached. The fill line is indicated by the wavy (~~~~) line in the basin.
3. Turn the water off by pushing the handle downward and center.

Operating the Crystal Clean™ Pipe-Free® System:

The Crystal Clean™ Pipe-Free® System eliminates pipes and traditional style jets that can harbor harmful bacteria while at the same time delivering a soothing, quality foot massage. This unique system is driven by an impeller that pulls water through the inlet cover and then forces the water outward through key massage zones in the footplate. The end result is a soothing massage delivered to all areas of the foot: front, back and bottom.

To start or stop the whirlpool, depress the On\Off button with finger (not fingernail) (



Removing Water from the Pedicure Spa Basin:

First, make certain the whirlpool jets are turned off by pressing the On/Off switch. The impeller motor will quit running when in the "Off" position.

Open the drain by turning the drain handle in a clockwise direction until it stops, the drain plunger will open and drain pump will start to operate. The water level will lower as water is pumped out of the basin. Turn the pump off by turning the drain handle in a counter-clockwise direction once the basin is fully drained

Cleaning and Disinfecting Procedures

Please check with your state board for required cleaning and disinfecting procedures.

It is extremely important to clean and disinfect your pedicure spa **after each pedicure, after the last pedicure of the day, and once a week for overnight cleaning.** Regular cleaning will help keep your pedicure spa in good working condition. Proper and continuous cleaning will kill harmful bacteria and germs that can cause infection. To clean the pedicure spa, follow these easy steps.

After Each Pedicure:

1. Drain water from the pedicure spa by turning the drain handle to the "Open" position.
2. Loosen the footplate by turning the footplate tee knobs in a counter-clockwise direction. Remove the footplate from the basin by lifting upward on the inlet cover. (
3. **Remove all debris from the basin.**
4. Clean all the surfaces of the basin and all components, as well as the top and bottom of the footplate and both tee knobs. Use low-sudsing soap or detergent and a non-abrasive brush. Remove all visible residue from the inside of the basin and all other components. Clean off sensor on bottom of basin.
5. Rinse the basin with clean water using the sprayer.
6. Disinfect all components, surfaces, basin, top and bottom of footplate, and footplate tee knobs with an EPA-registered disinfectant, in accordance with your State Board requirements. ***EPA disinfectants require ten-minute contact.**
7. Rinse the basin again with clean water using the sprayer.
8. Thoroughly dry the basin and all other components with a clean towel.
9. Replace the footplate and secure by simultaneously turning both footplate tee knobs in a clockwise direction. (

After Last Pedicure of the Day:

1. Drain water from the pedicure spa by turning the drain handle to the "Open" position.
2. Remove the drain cover as shown on page 18. Remove the impeller as shown on page 18. **Remove all debris.** Wash with a low-sudsing soap or detergent using a soft brush. Disinfect the impeller and drain cover as well as the area behind the drain cover. Replace drain cover and impeller.
3. Next repeat steps two through seven above as in "After Each Pedicure."
4. After all components are put back into place, fill basin with clean warm water to the fill line. Pour **three teaspoons** of low-foaming dishwasher crystals, (not gel) and **1 ounce** of household bleach for up to six gallons of water.
6. Turn on the whirlpool and let run for ten minutes.
7. Turn the whirlpool off and drain water from the basin.
8. Using the sprayer, rinse off all components, surfaces, and basin.
9. Refill the basin with clean water and turn the whirlpool on. Run for one minute to rinse.
10. Drain water from the basin and turn off the whirlpool.
11. Wipe dry with clean towel.
12. Make a record of the date and time of this cleaning and disinfecting.

Once a Week Overnight Cleaning:

In addition to the daily cleaning, the following cleaning procedures must be done every week:

1. Follow steps **one through five** above, as in "After the Last Pedicure of the Day."
2. Turn on the whirlpool and let run for ten minutes.
3. Turn the whirlpool off and let the water sit overnight in the basin (six to ten hours).
4. In the morning, run the whirlpool for five minutes and drain the basin.
5. Rinse the basin with clean water using the sprayer and dry with a clean towel.
6. Make a record of the date and time of this cleaning and disinfecting.

CAUTION: Cleaning products that contain abrasives can damage the pedicure spa. Use ONLY non-abrasive products to clean the pedicure spa.

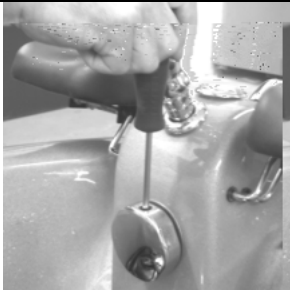


Removing / Replacing Drain Handle

Tools needed:

Phillips head screwdriver

Check your state and local regulations for cleaning procedures. Links to your state boards can be found on our web site, at www.europeantouch.com. Refer to the cleaning procedure page headed "Crystal Clean™ Pipe-Free® Spa - Cleaning and Disinfecting Procedures," page 17.


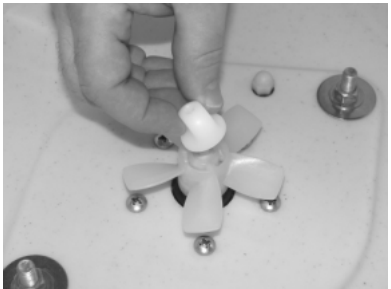


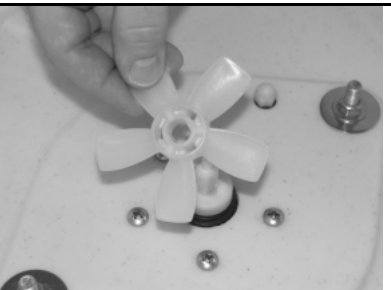

Follow the steps below for cleaning and replacing parts.

		
<p>To remove the chrome drain handle, loosen the set screw in the slot on the drain handle and slip off chrome handle from chrome handle post.</p>	<p>Picture, with the drain handle removed, shown for cleaning reference.</p>	<p>Picture, of drain plunger removed, shown for cleaning reference.</p>

Removing / Replacing Impeller

Check your state and local regulations for cleaning procedures. Links to your state boards can be found on our web site, at www.europeantouch.com. Refer to the cleaning procedure page headed "Crystal Clean™ Pipe-Free® Spa - Cleaning and Disinfecting Procedures," page 17, for deaning recommendations.

Follow the steps below for cleaning and replacing parts.

		
<p>Remove the tee knobs (2) by turning counter clockwise.</p>	<p>Remove the impeller knob by turning counter clockwise.</p>	<p>Once parts are dean, complete steps one through four in reverse order to replace the parts.</p>
		
<p>Lift the footplate to remove.</p>	<p>Lift the impeller.</p>	<p>Press firmly down on footplate to help seal while simultaneously tightening tee knobs.</p>

History and Notes



EUROPEAN TOUCH™

**EUROPEAN TOUCH
8301 W. Parkland Court
Milwaukee, WI 53223**

**Phone Number: 414-357-7016
Toll Free: 800-626-6912
Fax: 414-357-6360**

**Web Site: www.europeantouch.com
Email: info@europeantouch.com**

Free Manuals Download Website

<http://myh66.com>

<http://usermanuals.us>

<http://www.somanuals.com>

<http://www.4manuals.cc>

<http://www.manual-lib.com>

<http://www.404manual.com>

<http://www.luxmanual.com>

<http://aubethermostatmanual.com>

Golf course search by state

<http://golfingnear.com>

Email search by domain

<http://emailbydomain.com>

Auto manuals search

<http://auto.somanuals.com>

TV manuals search

<http://tv.somanuals.com>