



WHITE-RODGERS

1209 CASS AVE.

ST. LOUIS 6, MO.

Surface Type HOT WATER CONTROL Fixed Differential

These controls are designed for use on hot water heating installations. They have open-on-rise switch action and fixed differential.

The highly sensitive Hydraulic-Action element is held snugly in contact with the pipe or tank to provide quick response to changes in water temperature.

INSTALLATION

If the boiler, burner, or heater manufacturer recommends a control location, follow such recommendations. If none is offered, the following information gives suggested locations.

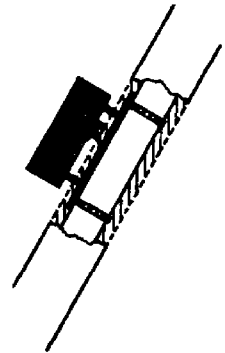
On domestic heating systems, the control may be attached to either a horizontal or a vertical riser approximately 18 inches above the boiler.

On a unit heater application, the control may be attached to the base of the coil directly in the air path or on the return line.

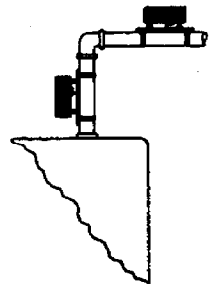
Installation Guides:

1. Remove the insulation on the pipe or tank where the control is to be mounted.
2. All rough spots, scale, rust, or paint should be removed with a file or similar tool.
3. Mount the control to the pipe by means of the two clamps provided. They should be pulled up snugly.
4. Replace the insulation, **entirely imbedding** the shield which is around the sensitive element of the control.

Pipe Insulation Should
Cover Shield Containing
Element.

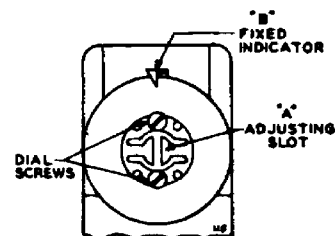


Convenient Installation —
May be mounted vertically,
horizontally, or on angle.
Will not affect operation
of control.



SETTING

On fixed differential controls, turn the dial so the fixed indicator "B" points to the temperature at which the contacts should open.

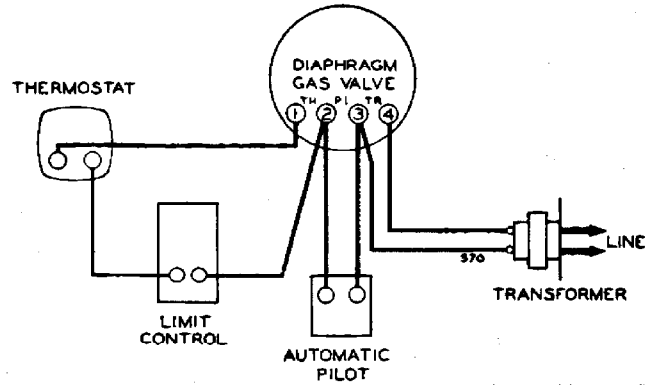
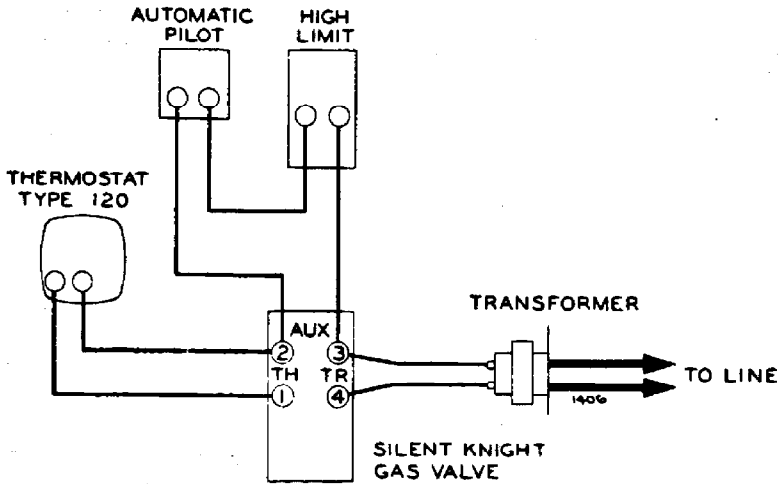


WIRING

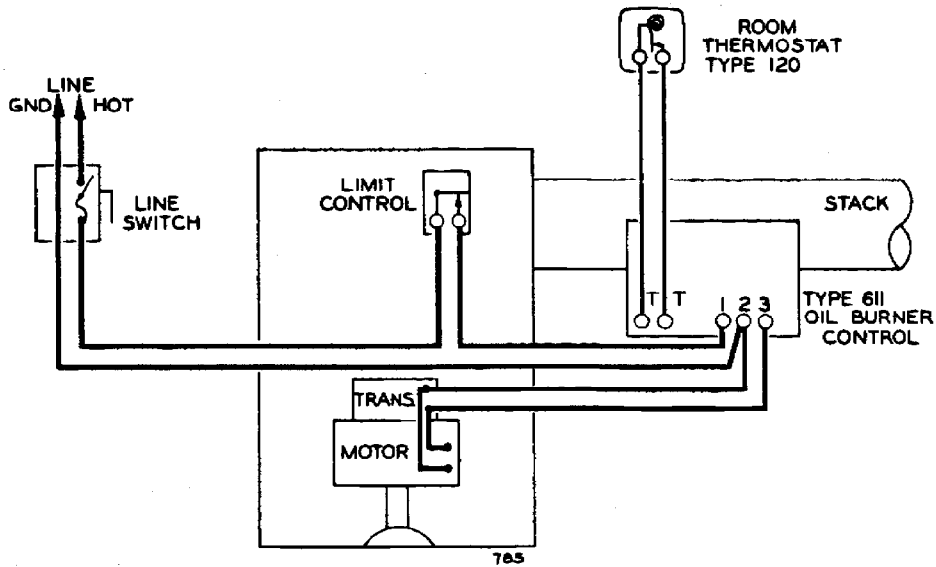
All wiring should be done according to local and national electrical codes.

If the manufacturer of the boiler recommends a wiring diagram, then follow such recommendations.

If none is offered, the following diagrams show suggested circuits.



IF AUTOMATIC PILOT IS NOT USED, CONNECT A JUMPER BETWEEN THE PILOT TERMINALS



Free Manuals Download Website

<http://myh66.com>

<http://usermanuals.us>

<http://www.somanuals.com>

<http://www.4manuals.cc>

<http://www.manual-lib.com>

<http://www.404manual.com>

<http://www.luxmanual.com>

<http://aubethermostatmanual.com>

Golf course search by state

<http://golfingnear.com>

Email search by domain

<http://emailbydomain.com>

Auto manuals search

<http://auto.somanuals.com>

TV manuals search

<http://tv.somanuals.com>