



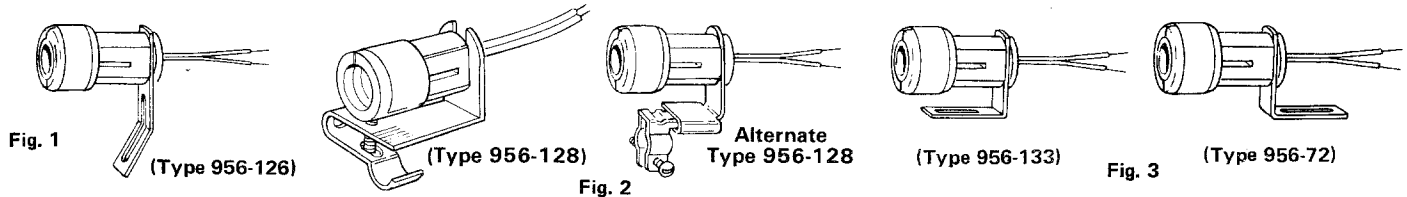
WHITE-RODGERS

INSTALLATION INSTRUCTIONS PART No. F145-0825 REPLACEMENT FLAME SENSORS

These Flame Sensors may be used for replacing the entire unit on "Old Style" Flame Sensors, or for replacing the Cell Assembly only on "New Style" Flame Sensors.

REPLACING "NEW STYLE" FLAME SENSORS

"NEW STYLE" FLAME SENSORS

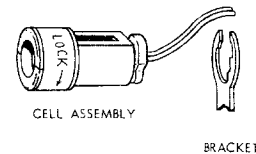


NOTE: Select proper bracket for your application, if replacement is necessary.

On "New Style" Flame Sensors (Fig. 1, 2, or 3), to replace the Cell Assembly:

1. Shut off electric power. Disconnect Flame Sensor leads from the primary control.
2. Loosen screws holding ignition transformer and swing away transformer to gain access to Flame Sensor.
3. **Do not disturb position of bracket shown in Fig. 4.** Simply remove defective Cell Assembly by rotating counterclockwise.
4. Install new Cell Assembly by inserting end through notched opening in bracket and rotating clockwise.
5. Reconnect leads of Flame Sensor to primary control, **being sure that leads are clear of blower wheel.**

Fig. 4 - New Style Flame Sensor.



6. Close ignition transformer, being sure Flame Sensor leads are clear of cover. Restore electric power and check burner for proper operation.

REPLACING "OLD STYLE" FLAME SENSORS

To replace any of the "Old Style" Flame Sensors shown in Fig. 5, 6, or 7, shut off electric power and disconnect Flame Sensor leads from primary control. Loosen screws holding ignition transformer and swing away transformer. Then replace Flame Sensor according to instructions A, B, or C, which follow:

A. Scroll Plate-Mounted Flame Sensor (Fig. 5)

1. Remove and set aside Flame Sensor Mounting Screw.
2. Reach beneath Scroll Plate and remove (and discard) old Flame Sensor.
3. Assemble new 956-126 Flame Sensor as shown in Fig. 1
4. Install new Flame Sensor in exact same location as old Flame Sensor and tighten mounting screw securely. Reconnect leads of Flame Sensor to primary control, **being sure that leads are clear of blower wheel.**

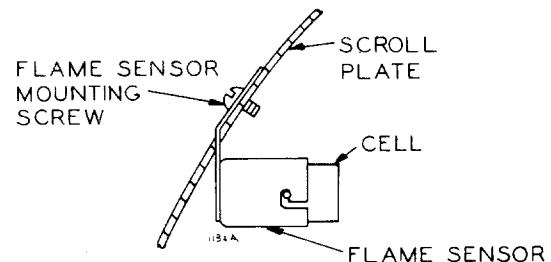


Fig. 5 - Old Style Flame Sensor.

5. Close ignition transformer, being sure Flame Sensor leads are clear of cover. Restore electric power and check burner for proper operation.

Continued on next page.



WHITE-RODGERS DIVISION
EMERSON ELECTRIC CO.
9797 REAVIS ROAD
ST. LOUIS, MISSOURI 63123

Printed in U.S.A.

PART NO. 37-3156-A (8504)
Replaces 37-3156

REPLACING "OLD STYLE" FLAME SENSORS (continued)

B. Oil Line-Mounted Flame Sensor (Fig. 6)

1. Observe flame sensor position and mark location of Cad Cell on the oil line for reference as shown in Fig. 6. Then remove and discard the entire Flame Sensor by removing screw holding mounting bracket to the oil line.
2. Assemble new 956-128 Flame Sensor as shown in Fig. 2.
3. Install new Flame Sensor to oil line taking care to locate mounting bracket so that Cad Cell of new Flame Sensor will have same view of the oil flame as the old Flame Sensor (use reference mark on oil line). Be sure screw is securely tightened.
4. Reconnect leads of Flame Sensor to primary control, **being sure that leads are clear of blower wheel.**
5. Close ignition transformer, being sure Flame Sensor leads are clear of cover. Restore electric power and check burner for proper operation.

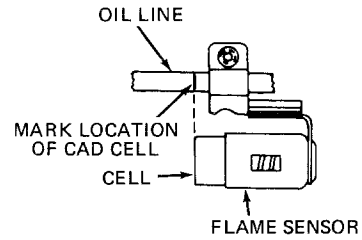


Fig. 6 – Old Style Flame Sensor.

C. Flame Sensor Mounted on Side of Burner Housing (Fig. 7)

1. Remove Housing Mounting Clip from side of burner housing as shown in Fig. 7. Then remove and discard old Flame Sensor from Housing Mounting Clip.
2. Assemble new 956-133 Flame Sensor as shown in Fig. 3.
3. Insert bracket of new Flame Sensor into Housing Mounting Clip. Then replace Housing Mounting Clip on side of burner housing.
4. Reconnect leads of Flame Sensor to primary control, **being sure that leads are clear of blower wheel.**
5. Close ignition transformer, being sure Flame Sensor leads are clear of cover. Restore electric power and check burner for proper operation.

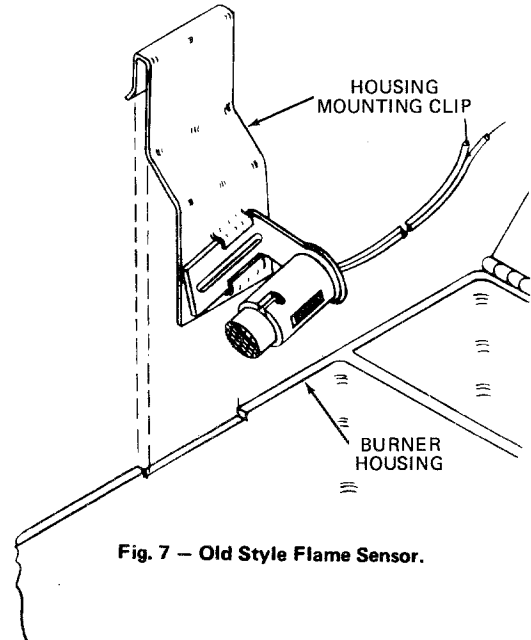


Fig. 7 – Old Style Flame Sensor.

Free Manuals Download Website

<http://myh66.com>

<http://usermanuals.us>

<http://www.somanuals.com>

<http://www.4manuals.cc>

<http://www.manual-lib.com>

<http://www.404manual.com>

<http://www.luxmanual.com>

<http://aubethermostatmanual.com>

Golf course search by state

<http://golfingnear.com>

Email search by domain

<http://emailbydomain.com>

Auto manuals search

<http://auto.somanuals.com>

TV manuals search

<http://tv.somanuals.com>