



ILGD

From the first name in coffee brewing comes the first coffee grinders of the 21st century! The Digital InterLock Series from Curtis, with ADS™ (Advanced Digital System) technology. These coffee grinders enable users to link grinder to brewer for the perfect brew, every time.

Specially designed and styled for use with Gemini® and ThermoPro™ Series brewers with 3-Batch option, these advanced grinders interlock for complimentary systems, making fresh grind/fresh brew programs a snap. And Dual Hopper capacity gives you the flexibility to fresh grind from two separate selections, making your specialty or decaf coffee as fresh as your house blend.

ITEM NO \_\_\_\_\_

PROJECT \_\_\_\_\_

DATE \_\_\_\_\_

### Advanced Digital System™ – A Curtis Exclusive

ADS™ represents the future of coffee equipment technology, giving operators unparalleled control, consistency, quality and ease of use.

#### ADS™ Features:

- **Digital Superiority** – Electronic solid state technology centralizes controls on the front Touchkey Panel for easy programming and precise performance.
- **Touchkey Control Panels** – Provides up to 10 times longer working life than mechanical switches and a smooth surface for easier cleaning and maintenance.
- **Fully Programmable Grind Cycle** – Digital LED readout shows grind cycle length clearly. Set grind cycle from 1 to 99 seconds
- **Self-Diagnostic** – ADS™ technology expedites service.
- **One Touch Grind-to-Brew** – When combined with the GEMGT or ThermoPro™, digital controls automatically select brewing cycle to correspond with selected grind quantity for error-proof brewing every time.

#### The Easiest Interface Ever

##### Digital Controls

**LED Display** — Indicates grind cycle length for absolute accuracy of grind. Dial-in perfect grind length, eliminate guessing.

**Grind Select Buttons** — Select from small, medium, large and the InterLockE system automatically locks in grind time on the brewer (3-batch only option). Each button is fully programmable to your specifications.

**Grind Select Indicator Lights** — Lets you know clearly which cycle length is currently grinding.

**On/Off Switch**



### Factory-set grind cycles can be easily changed.

Grind time for each cycle is accurately displayed by the read-out. To change, simply follow these steps (each button is set independently):

- Turn the grinder off. Place a brew cone and filter in the machine.
- Press and hold the grind cycle button. At the same time press and release the ON/OFF button.
- Now press the grind cycle button again. The display will indicate its current setting. Immediately following it will begin grinding. The display will indicate the elapsed time from zero.
- When the desired level is reached, release the button.\*
- Wait until the motor has stopped completely, and press any OTHER button on the same side. This sets the time and exits the programming mode.

**NOTE:** \*Add time by pressing and holding the flashing button until the desired level is reached.

### Digital InterLock™ System – Only from Curtis. Automatic Grinder-to-Brewer Interface

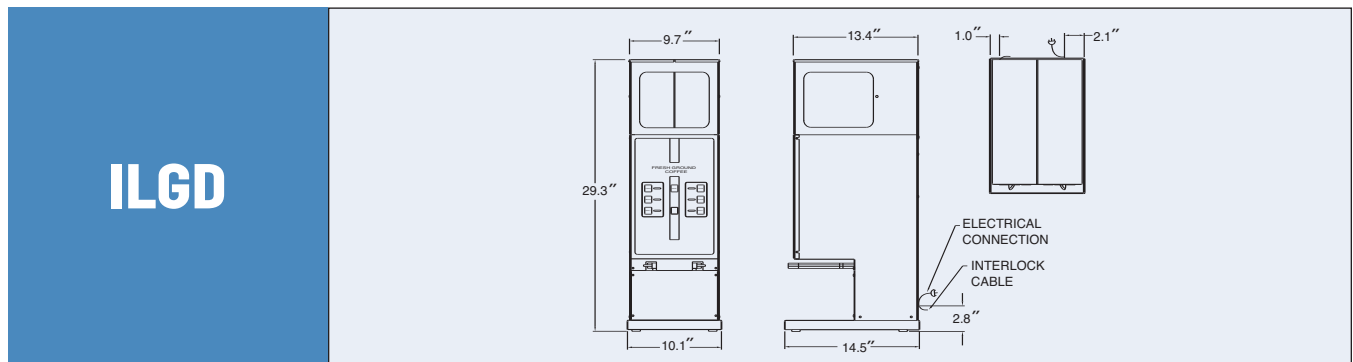
Designed for fresh grind/fresh brew programs, the Curtis Digital InterLock™ System connects compatible Digital Control Coffee Brewers to Digital Control Grinder for simple, error-proof grinding and brewing.

With the push of a button, the Grinder automatically conveys the selected grind volume to the brewing system.

The brew selection is then “locked-in” to the corresponding grind cycle...incorrect cycles are “locked out.” If both brewer sides are in use, the Grinder’s memory stores the information and waits until a side is available.

### Standard Features

- **Dual-Hoppers** – Include decaf or a specialty coffee in your fresh grind/fresh brew program.
- **Infinitely Adjustable Grind Settings** – From extra coarse to extra-fine grinding.
- **Larger Hopper Capacity than Competitive Models** – Reduces labor costs with less frequent refills.
- **Positive Flow Auger** – For uninterrupted coffee dispensing.
- **Self-Adjusting Brew Rails** – Easily handle large Gemini brew baskets.
- **Wide Match Profile** – Brew rails never extend beyond housing with larger baskets.
- **Large Grinding Burrs** – Provide faster more efficient operation.
- **Accurate and Consistent Throw** – For even distribution, chaff reduction.
- **Uniform Grind**
- **Powerful 1/2 hp Motor** – Equipped with safety circuit breaker.
- **Standard 120VAC Operation**



**ILGD**

SPECIFICATIONS	ILGD
Grind Cycles (Per Side)	3 per side
Hopper Capacity (Whole Beans)	7.5 lbs ea. side
Timer	Digital InterLock
Portion Range	1 to 99 Seconds
Dimensions (H x W x D)	29.3" x 10.1" x 14.5"
Voltage	120VAC/60Hz
Power Requirements	8.0A
Motor	1/2 hp
Shipping Weight (lbs.)	60 lbs.
Cube (cu. ft.)	4.6 cu. ft.

FACTORY SETTINGS	ILGD GRINDER
Volume/Grind Setting	Large - 15 sec. Medium - 10 sec. Small - 5 sec.



**WILBUR CURTIS COMPANY, INC.**

6913 Acco Street, Montebello, CA 90640-5403

Telephone: 800-421-6150 · 323-837-2300

Fax: 323-837-2406

www.wilburcurtis.com



## Free Manuals Download Website

<http://myh66.com>

<http://usermanuals.us>

<http://www.somanuals.com>

<http://www.4manuals.cc>

<http://www.manual-lib.com>

<http://www.404manual.com>

<http://www.luxmanual.com>

<http://aubethermostatmanual.com>

Golf course search by state

<http://golfingnear.com>

Email search by domain

<http://emailbydomain.com>

Auto manuals search

<http://auto.somanuals.com>

TV manuals search

<http://tv.somanuals.com>