



# **ML-55 Parts Manual Phase 6 1997 thru 2000**

---

**American Dryer Corporation**  
88 Currant Road  
Fall River, MA 02720-4781  
Telephone: (508) 678-9000 / Fax: (508) 678-9447  
E-mail: techsupport@amdry.com

## Retain This Manual In A Safe Place For Future Reference

**American Dryer Corporation** products embody advanced concepts in engineering, design, and safety. If this product is properly maintained, it will provide many years of safe, efficient, and trouble-free operation.

*ONLY qualified technicians should service this equipment.*

**OBSERVE ALL SAFETY PRECAUTIONS** displayed on the equipment or specified in the installation manual included with the dryer.

The following “**FOR YOUR SAFETY**” caution **must be** posted near the dryer in a prominent location.

### FOR YOUR SAFETY

Do not store or use gasoline or other flammable vapors or liquids in the vicinity of this or any other appliance.

### POUR VOTRE SÉCURITÉ

Ne pas entreposer ni utiliser d'essence ni d'autres vapeurs ou liquides inflammables dans le voisinage de cet appareil ou de tout autre appareil.

We have tried to make this manual as complete as possible and hope you will find it useful. **ADC** reserves the right to make changes from time to time, without notice or obligation, in prices, specifications, colors, and material, and to change or discontinue models.

## Important

For your convenience, log the following information:

**DATE OF PURCHASE** \_\_\_\_\_ **MODEL NO.** **ML-55** \_\_\_\_\_  
**RESELLER'S NAME** \_\_\_\_\_  
**Serial Number(s)** \_\_\_\_\_  
\_\_\_\_\_  
\_\_\_\_\_

Replacement parts can be obtained from your reseller or the **ADC** factory. When ordering replacement parts from the factory, you can FAX your order to **ADC** at (508) 678-9447 or telephone your order directly to the **ADC** Parts Department at (508) 678-9000. Please specify the dryer **model number** and **serial number** in addition to the **description** and **part number**, so that your order is processed accurately and promptly.

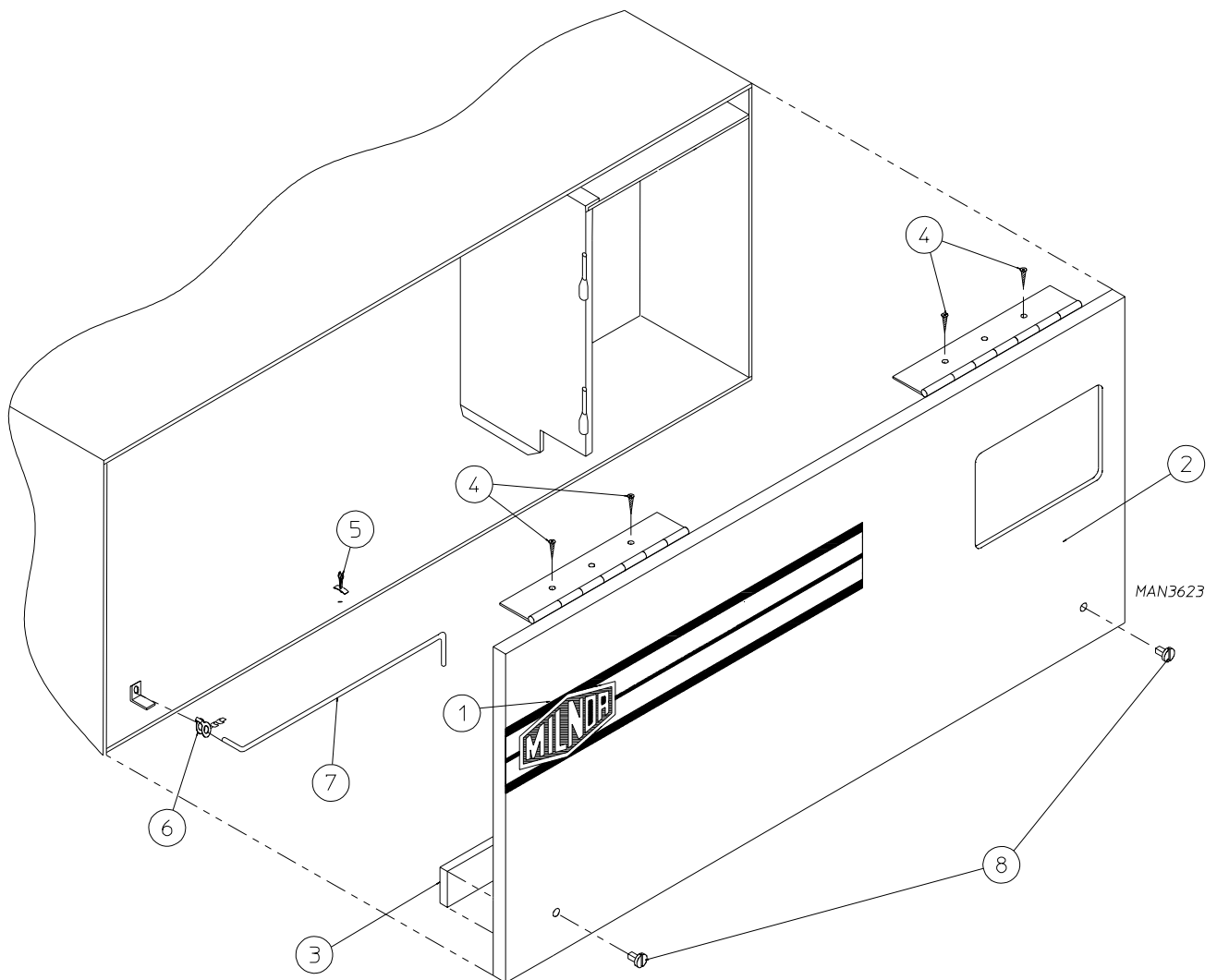
### “IMPORTANT NOTE TO PURCHASER”

Information must be obtained from your local gas supplier on the instructions to be followed if the user smells gas. These instructions must be posted in a prominent location near the dryer.

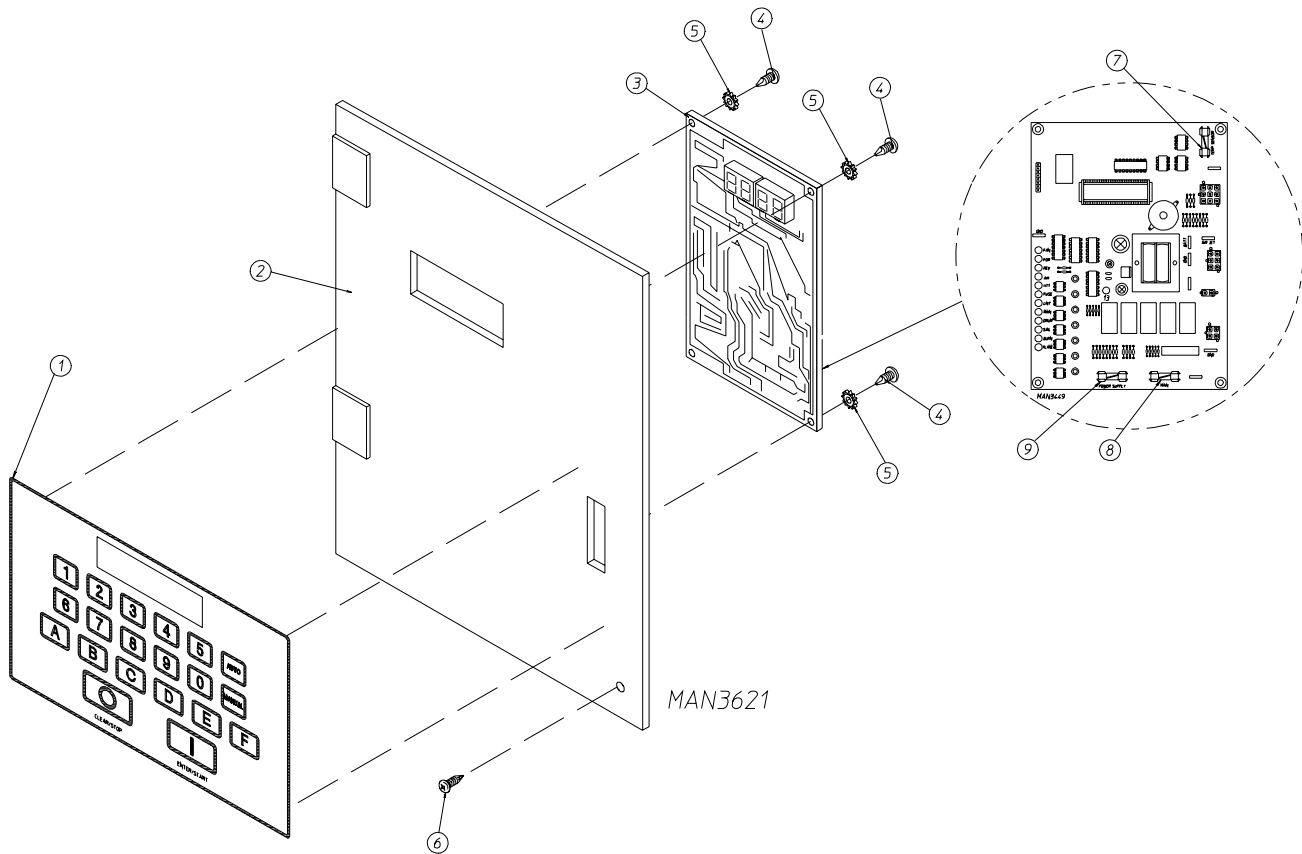
# *Table of Contents*

|   |        |
|---|--------|
| Control Door Assembly .....   | 3      |
| Phase 6 OPL Microprocessor Control Panel Assembly .....   | 4      |
| Phase 6 OPL Microprocessor Control Box Assembly .....   | 5      |
| Dual Timer Control Panel Assembly .....   | 6      |
| Dual Timer Control Box Assembly .....   | 7      |
| Front Panel/Main Door Assemblies with Mechanical Fasteners<br><b>for models mfd. as of January 16, 1998</b> ..... | 8, 9   |
| Front Panel/Main Door Assemblies<br><b>for models mfd. between October 24, 1997 and January 16, 1998</b> .....    | 10, 11 |
| Front Panel/Main Door Assemblies<br><b>for models mfd. prior to October 24, 1997</b> .....                        | 12     |
| Main Door Switch Assembly<br><b>for models mfd. as of October 24, 1997</b> .....                                  | 13     |
| Main Door Switch Assembly<br><b>for models mfd. prior to October 24, 1997</b> .....                               | 14     |
| Drop Lint Door Assembly .....   | 15     |
| Lint Trap Assembly .....  | 16     |
| Basket (Tumbler)/SupportAssemblies .....  | 17     |
| Sensor Bracket Assemblies .....   | 18, 19 |
| Tumbler Bearing Assembly .....  | 20, 21 |
| Idler Bearing Assembly .....  | 22, 23 |
| Non-Reversing Totally Enclosed, Fan-Cooled (T.E.F.C.) Motor Mount Assembly .....                                  | 24, 25 |

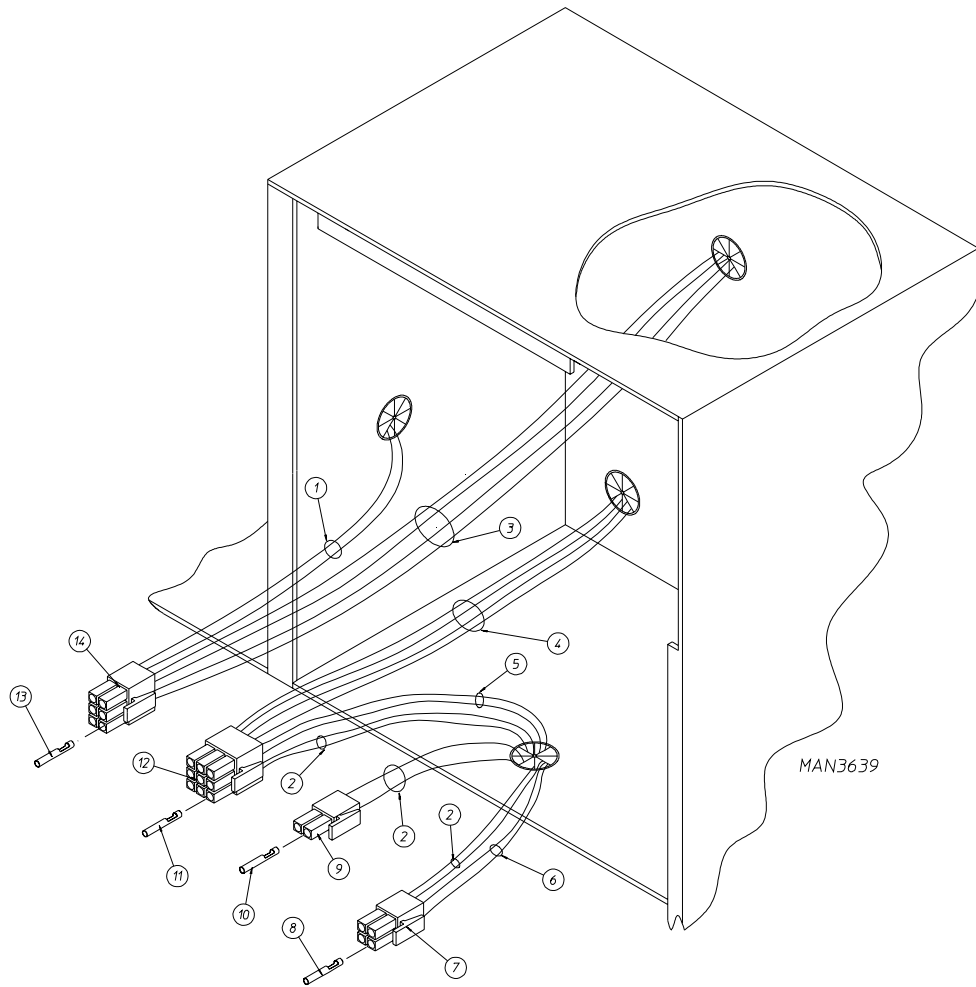
|   |        |
|---|--------|
| Reversing Totally Enclosed, Fan-Cooled (T.E.F.C.) Motor Mount Assembly .....                  | 26, 27 |
| Hot Surface Ignition (HSI) Burner Assembly .....  | 28, 29 |
| Sail Switch/Hi-Limit Assemblies .....   | 30, 31 |
| Air Operated Steam Damper Assembly .....  | 32, 33 |
| Single Phase (1 $\phi$ ) Rear Electric Relay Panel Assembly .....                             | 34, 35 |
| 3-Phase (3 $\phi$ ) Motor, Non-Reversing Electric Relay Panel Assembly .....                  | 36, 37 |
| 3-Phase (3 $\phi$ ) Motor, Reversing Electric Relay Panel Assembly .....                      | 38, 39 |
| Dual Timer Non-Reversing Electrical Panel Assembly .....                                      | 40, 41 |
| Dual Timer Reversing Electrical Panel Assembly .....  | 42, 43 |
| Outer Top/Back Guard Assemblies .....   | 44     |
| Hot Surface Ignition (HSI) Burner Assembly Specifications .....                               | 45     |
| Step Down Transformer Usage Listing<br><b>for Microprocessor (computer) Models ONLY</b> ..... | 46     |
| Additional Parts Available .....  | 47     |



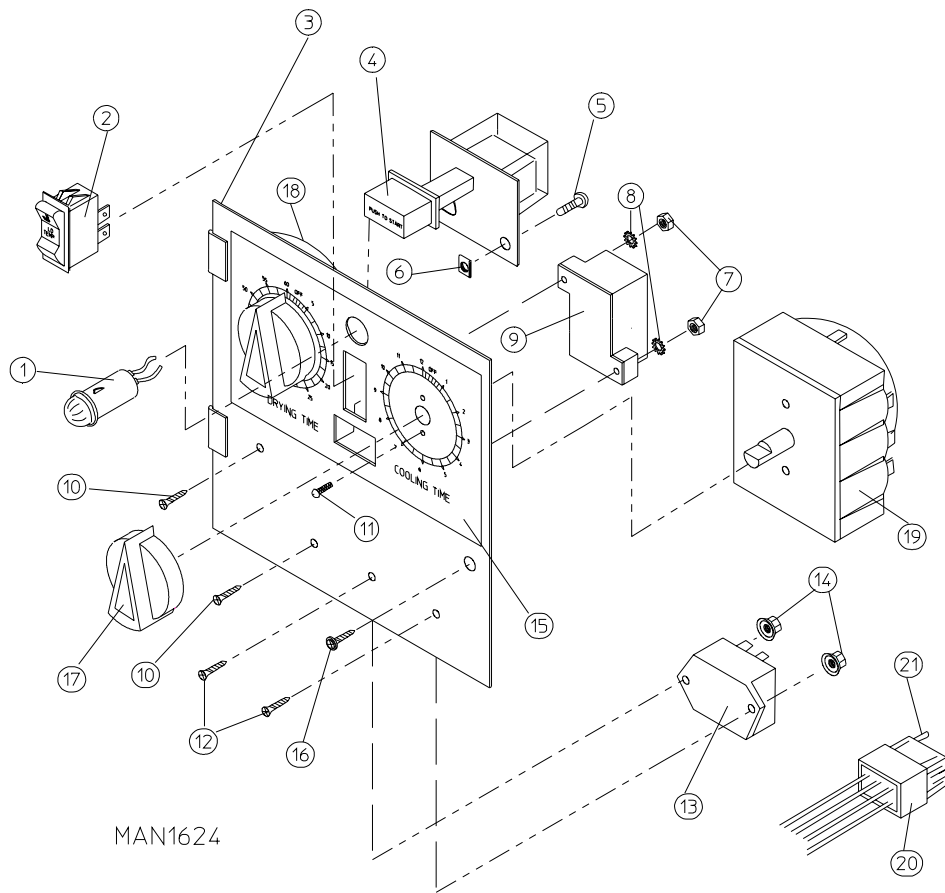
| Illus. No. | Part No. | Qty. | Description  |
|------------|----------|------|--|
| 1          | 112366   | 1    | Logo ONLY  |
| 2          | 881869   | 1    | White Control Door Assembly<br>(includes illus. nos. 2, 3, and 8)<br>For models mfd. as of October 24, 1997) |
|            | 881694   | 1    | Blue Control Door Assembly<br>(includes illus. nos. 2, 3, and 8)<br>For models mfd. as of October 24, 1997)  |
|            | 881744   | 1    | Control Door Assembly<br>(includes illus. nos. 2, 3, and 8)<br>For models mfd. prior to October 24, 1997)    |
| 3          | 117600   | 4    | Noise Suppression Tape (sold by the foot)  |
| 4          | 150309   | 4    | #10-16 x 1/2" Hex Head TEK Crimpite Screw  |
| 5          | 102600   | 1    | Control Door Rod Support Catch   |
| 6          | 102601   | 1    | Control Door Rod Retainer Clip   |
| 7          | 102502   | 1    | Control Door Support Rod   |
| 8          | 160005   | 2    | Spring Turn Latch (2-piece)  |



| <u>Illus. No.</u> | <u>Part No.</u> | <u>Qty.</u> | <u>Description</u>   |
|-------------------|-----------------|-------------|--|
| 1                 | 112537          | 1           | Phase 6 OPL Keypad   |
|                   | 112276          | 1           | OPL Stick-on Labels<br>(English Only) ... Not Illustrated  |
|                   | 112275          | 1           | OPL Stick-on Labels<br>(Spanish, Italian, and Hebrew) ... Not Illustrated  |
|                   | 112277          | 1           | 3 Language OPL Stick-on Labels<br>(English, Spanish, and Hebrew) ... Not Illustrated                             |
|                   | 112278          | 1           | 5 Language OPL Stick-on Labels<br>(Italian, Dutch, French, German, and Chinese) ... Not Illustrated              |
| 2                 | 881745          | 1           | Phase 6 Microprocessor (computer) Panel ONLY   |
|                   | 881747          | 1           | Phase 6 OPL Non-Reversing Computer Panel Assembly Complete<br>(includes illus. nos. 1 through 5 and 7 through 9) |
|                   | 881746          | 1           | Phase 6 OPL Reversing Computer Panel Assembly Complete<br>(includes illus. nos. 1 through 5 and 7 through 9)     |
| 3                 | 137123          | 1           | Phase 6 OPL Non-Reversing Microprocessor Controller ONLY   |
|                   | 137122          | 1           | Phase 6 OPL Reversing Microprocessor Controller ONLY   |
| 4                 | 150005          | 3           | #6-32 x 3/4" Phillips Round Head Machine Screw   |
| 5                 | 153010          | 3           | #6 Star Washer   |
| 6                 | 150309          | 1           | #10-16 x 1/2" Hex Head TEK Crimptite Screw   |
| 7                 | 136048          | 1           | 1/8-Amp (Slo Blo) Fuse   |
| 8                 | 136017          | 1           | 3.15-Amp (Fast Acting) Fuse  |
| 9                 | 136019          | 1           | 1-Amp (Fast Acting) Fuse   |

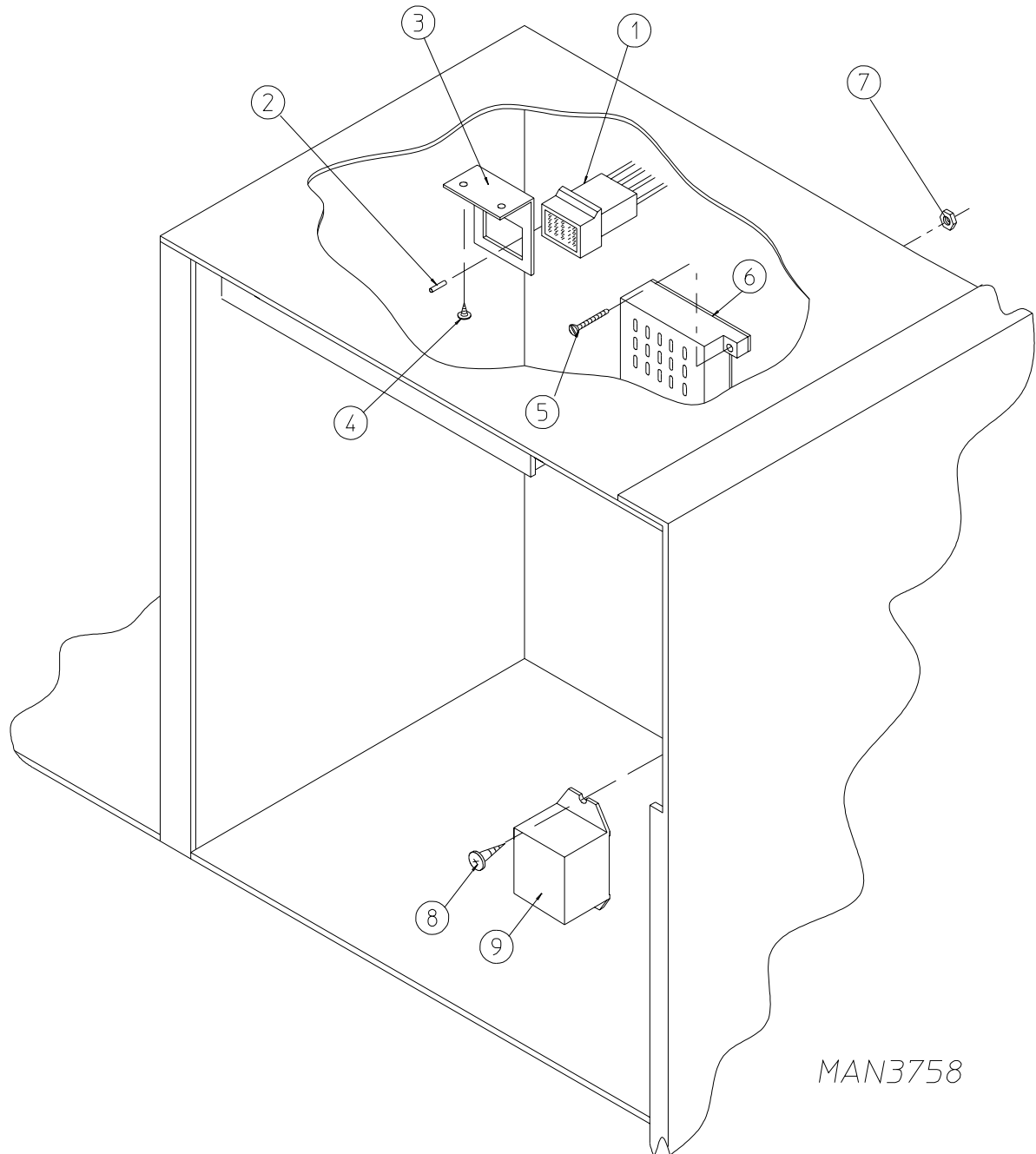


| <u>Illus. No.</u> | <u>Part No.</u> | <u>Qty.</u> | <u>Description</u>   |
|-------------------|-----------------|-------------|--|
| 1                 | 881790          | 1           | Burner Control Wiring  |
| 2                 | 881851          | 1           | Basket (Tumbler) Hi-Limit Temperature Sensor Harness               |
| 3                 | 881850          | 1           | Sail Switch Hi-Limit Harness                                       |
| 4                 | 881852          | 1           | Power Control Harness<br>(for Non-Reversing Gas Models Only)       |
|                   | 881853          | 1           | Power Control Harness<br>(for Reversing Gas Models Only)           |
| 5                 | 881785          | 1           | Door Switch Harness  |
| 6                 | 824993          | 1           | Rotational Sensor Harness<br>(Front Wiring Box to Rear Wiring Box) |
|                   | 824994          | 1           | Rotational Sensor Harness<br>(Rear Wiring Box to Sensor)           |
| 7                 | 122648          | 1           | 4-Pin Connector  |
| 8                 | 122706          | 4           | Socket Terminal ONLY   |
| 9                 | 122646          | 1           | 2-Pin Connector  |
| 10                | 122706          | 2           | Socket Terminal ONLY   |
| 11                | 122706          | 9           | Socket Terminal ONLY   |
| 12                | 122640          | 1           | 9-Pin Connector  |
| 13                | 122706          | 6           | Socket Terminal ONLY   |
| 14                | 122644          | 1           | 6-Pin Terminal   |
| ---               | 122801          | 1           | Pin/Socket Extraction Tool   |



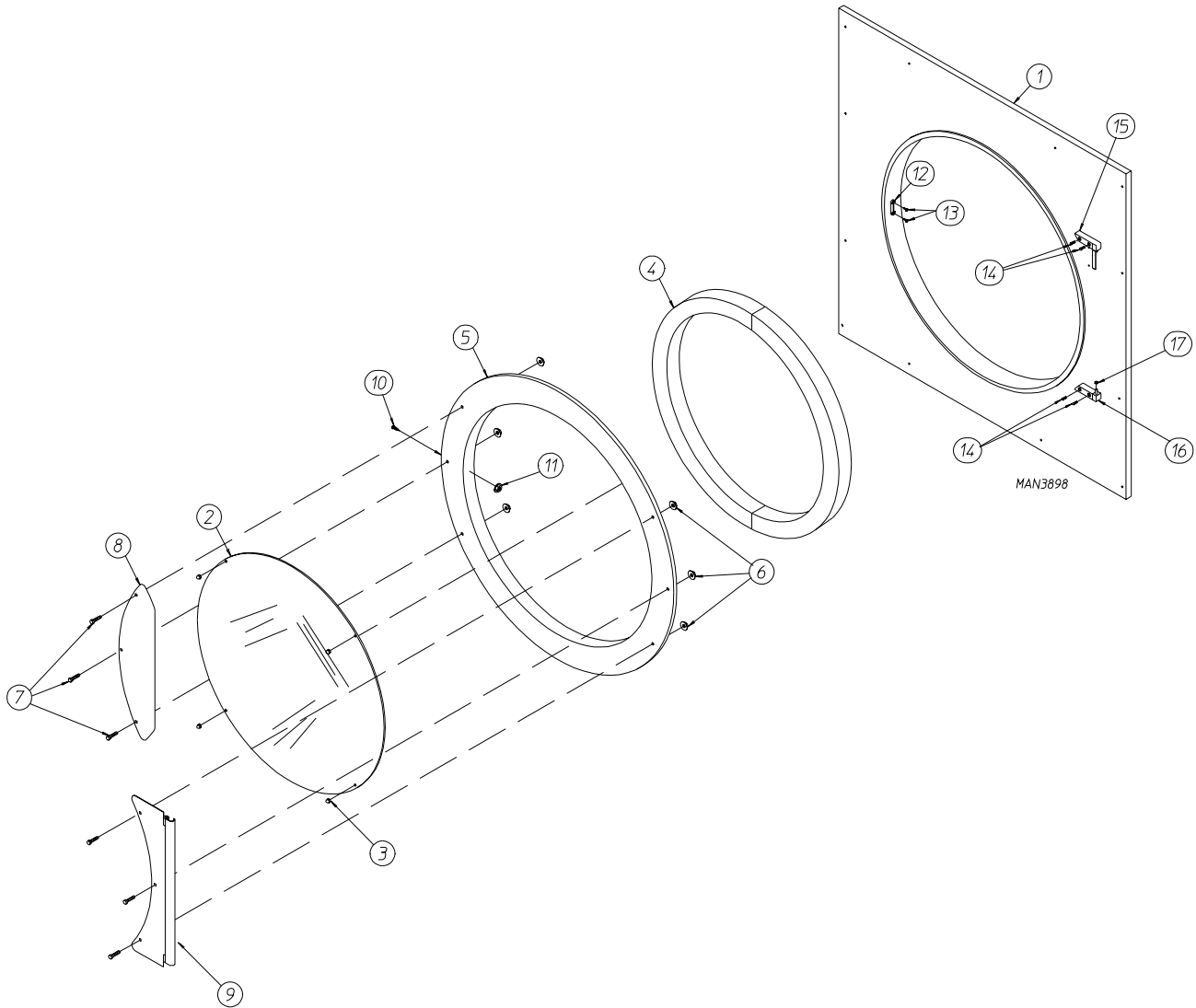
| <u>Illus. No.</u> | <u>Part No.</u> | <u>Qty.</u> | <u>Description</u>   |
|-------------------|-----------------|-------------|--|
| 1                 | 123005          | 1           | Red Indicator Light - 24 VAC   |
| 2                 | 122400          | 1           | Rocker Heat Selector Switch  |
| 3                 | 824015          | 1           | Dual Timer Control Panel Assembly Complete - 24 VAC<br>(includes illus. nos. 1 through 21) |
|                   | 800051          | 1           | Dual Timer Control Panel ONLY  |
| 4                 | 131917          | 1           | Push-to-Start Relay - 24 VAC   |
| 5                 | 150207          | 2           | #10-24 x 1/2" Phillips Round Head Machine Screw  |
| 6                 | 154001          | 2           | #10-24 Speed Nut   |
| 7                 | 152000          | 2           | #6-32 Hex Nut  |
| 8                 | 153010          | 2           | #6 Star Washer   |
| 9                 | 120730          | 1           | 30-Position Terminal Block   |
| 10                | 150002          | 2           | #6-32 x 1" Phillips Round Head Machine Screw   |
| 11                | 150110          | 4           | #8-32 x 1/4" Phillips Round Head Machine Screw   |
| 12                | 150001          | 2           | #6-32 x 1/2" Phillips Round Head Machine Screw   |
| 13                | 131931          | 1           | Dual Timer Relay - 24 VAC  |
| 14                | 151000          | 2           | #6-32 Pal Nut  |
| 15                | 112050          | 1           | Dual Timer Label ONLY  |
| 16                | 150309          | 1           | #10-16 x 1/2" Hex Head TEK Crimptite Screw   |
| 17                | 124103          | 2           | Arrow Timer Knob   |
| 18                | 124025          | 1           | 60-Minute Timer - 24 VAC   |
| 19                | 124030          | 1           | 15-Minute Timer - 24 VAC   |
| 20                | 122602          | 1           | 9-Pin Connector ONLY   |
| 21                | 122700          | 8           | Pin Terminal ONLY  |
| ---               | 122801          | 1           | Pin/Socket Extraction Tool   |





MAN3758

| Illus. No. | Part No. | Qty. | Description                                  |
|------------|----------|------|--|
| 1          | 122601   | 1    | 9-Pin Socket Connector                       |
| 2          | 122701   | 8    | Socket Terminal ONLY                         |
|            | 122801   | 1    | Pin/Socket Extraction Tool                   |
| 3          | 315010   | 1    | 9-Pin Connector Bracket                      |
| 4          | 150300   | 2    | #10 x 1/2" Hex Washer TEK Screw              |
| 5          | 150002   | 2    | #6-32 x 1" Phillips Round Head Machine Screw |
| 6          | 120715   | 1    | 30-Position Terminal Block                   |
| 7          | 151000   | 2    | #6-32 Pal Nut                                |
| 8          | 150309   | 2    | #10-16 x 1/2" Hex Head TEK Crimptite Screw   |
| 9          | 131932   | 1    | Heat Relay - 24 VAC                          |

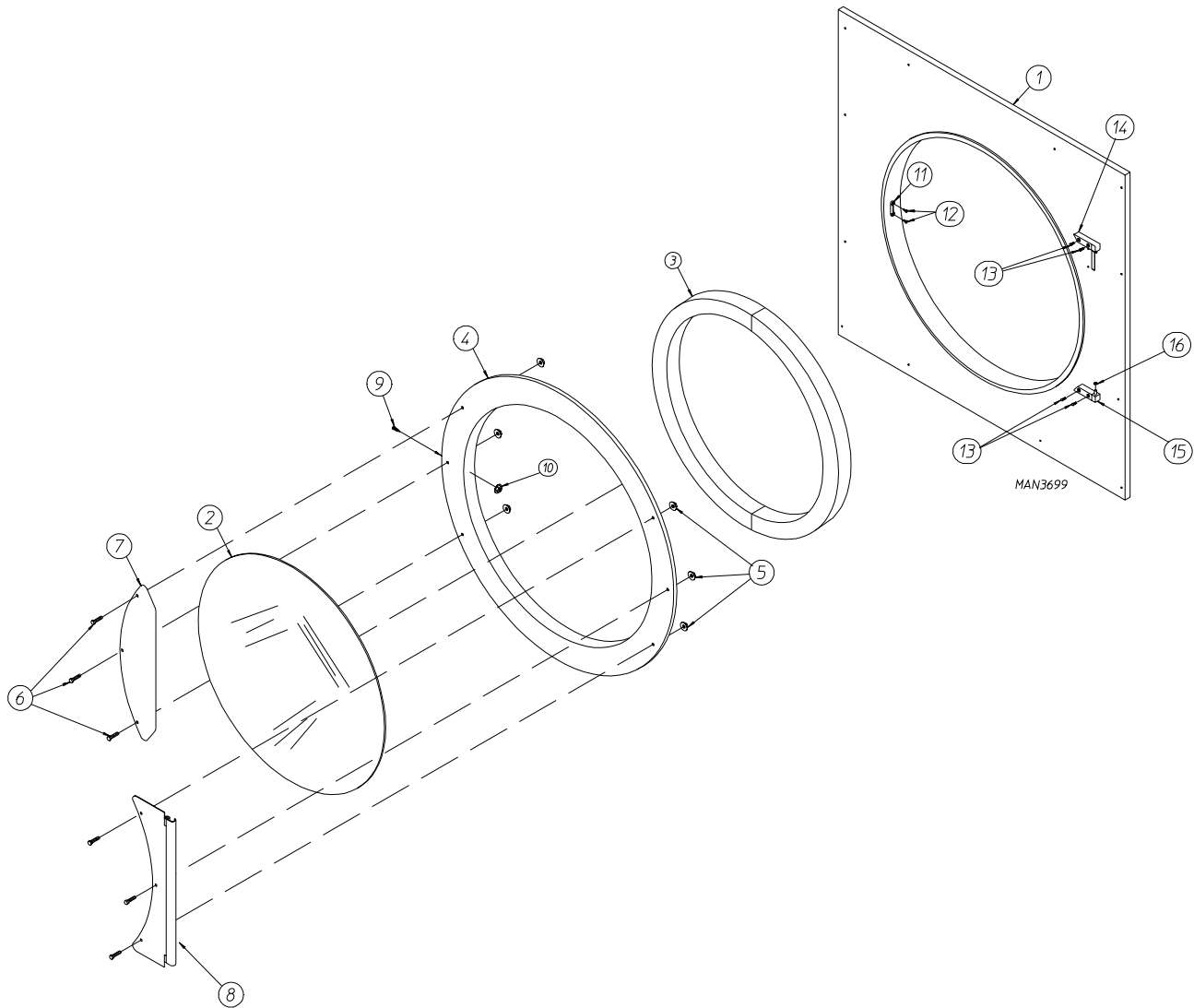


---

 for models mfd. as of January 16, 1998

| <u>Illus. No.</u> | <u>Part No.</u> | <u>Qty.</u> | <u>Description</u>  |
|-------------------|-----------------|-------------|---|
| 1                 | 881871          | 1           | White Front Panel Assembly<br>(includes illus. nos. 1, 12, and 13)                          |
|                   | 881697          | 1           | Blue Front Panel Assembly<br>(includes illus. nos. 1, 12, and 13)                           |
| 2                 | 102214          | 1           | 30" Door Glass  |
|                   | 170730          | 1           | Door Glass/Gasket Adhesive (10.3 oz Cartridge)  |
| 3                 | 151012          | 4           | 10-32 Nylon Acorn Nut - White   |
| 4                 | 102357          | 2           | Main Door Gasket  |
|                   | 170730          | 1           | Door Glass/ Gasket Adhesive (10.3 oz Cartridge)   |
| 5                 | 881968          | 1           | White Main Door Assembly With Mechanical Fasteners<br>(includes illus. nos. 2 though 11)    |
|                   | 881969          | 1           | Blue Main Door Assembly With Mechanical Fasteners<br>(includes illus. nos. 2 through 11)    |
|                   | 881966          | 1           | White Main Door Ring  |
| 6                 | 881806          | 6           | White 1/4-20 Free Spin Wash Nut   |
|                   | 881807          | 6           | Blue 1/4-20 Free Spin Wash Nut  |
| 7                 | 881740          | 6           | White 1/4-20 x 5/8" Carriage Bolt   |
|                   | 881739          | 6           | Blue 1/4-20 x 5/8" Carriage Bolt  |
| 8                 | 881688          | 1           | White Main Door Handle  |
|                   | 881737          | 1           | Blue Main Door Handle   |
| 9                 | 881685          | 1           | White Main Door Hinge   |
|                   | 881757          | 1           | Blue Main Door Hinge  |
| 10                | 150120          | 1           | Main Door Latch Screw   |
| 11                | 151012          | 1           | #10-32 White Acorn Nut  |
|                   | 151014          | 1           | #10-32 Blue Acorn Nut   |
| 12                | 170330          | 1           | Friction Door Catch   |
| 13                | 154215          | 2           | 5/32" Pop Rivet   |
| 14                | 150443          | 4           | 1/4-20 x 3/4" Stainless Cap Screw   |
| 15                | 881440          | 1           | White Top Hinge Block With Stainless Steel Cap Screw<br>(includes illus. nos. 14 and 15)    |
|                   | 881736          | 1           | Blue Top Hinge Block with Stainless Steel Cap Screw<br>(includes illus. nos. 14 and 15)     |
| 16                | 881441          | 1           | White Bottom Hinge Block With Stainless Steel Cap Screw<br>(includes illus. nos. 14 and 16) |
|                   | 881735          | 1           | Blue Bottom Hinge Block With Stainless Steel Cap Screw<br>(includes illus. nos. 14 and 16)  |
| 17                | 153031          | 1           | Nylon Washer  |

for models mfd. between October 24, 1997 and January 16, 1998

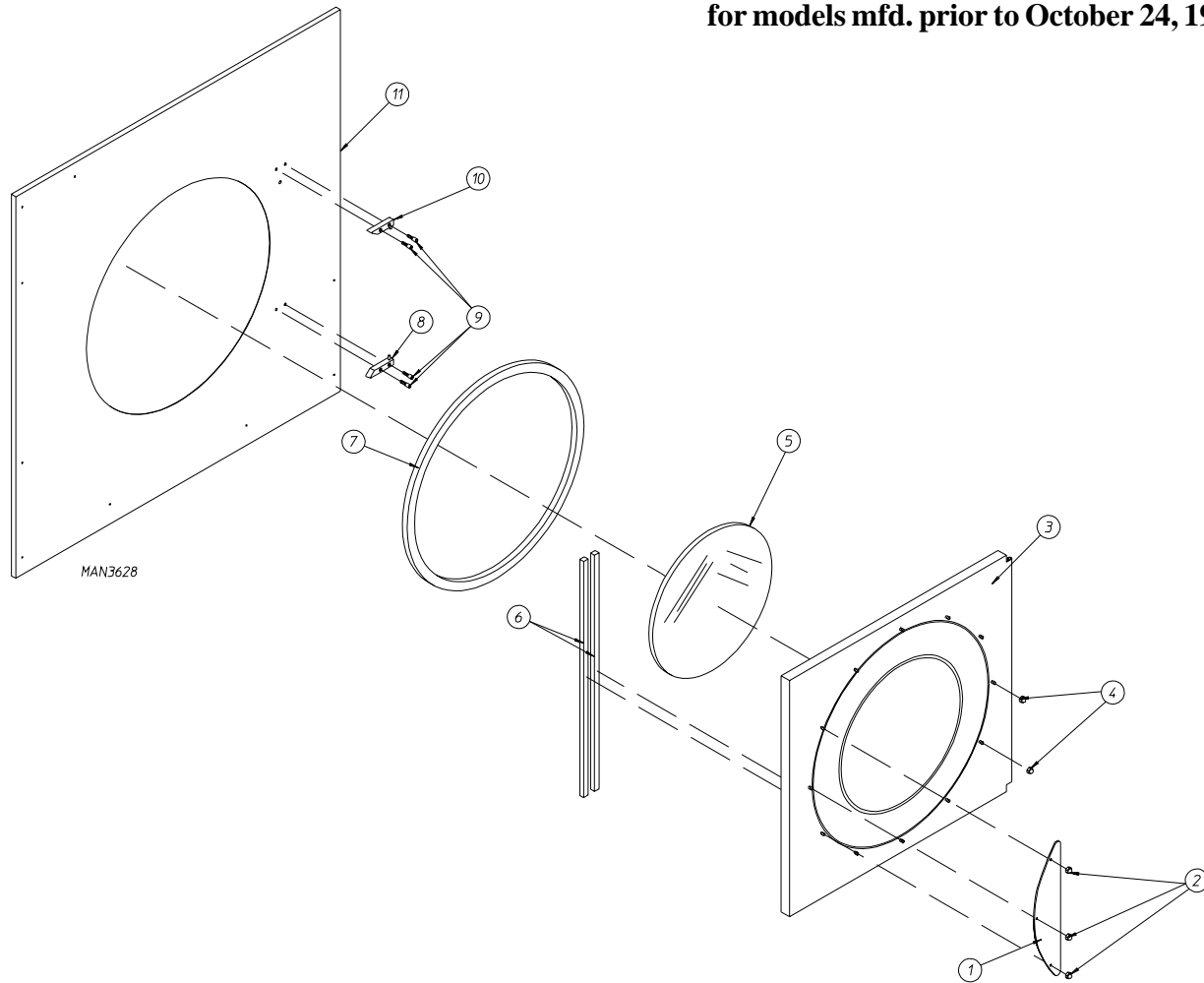


---

 for models mfd. between October 24, 1997 and January 16, 1998

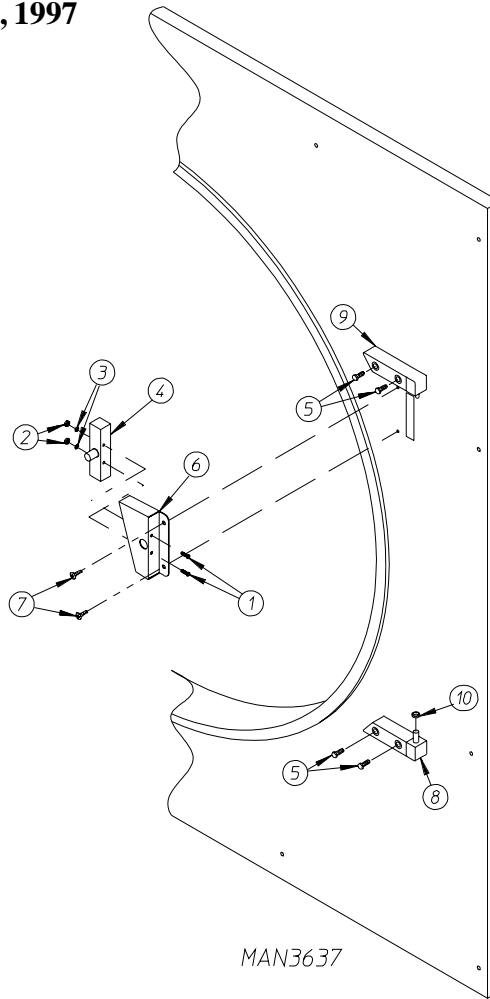
| <u>Illus. No.</u> | <u>Part No.</u> | <u>Qty.</u> | <u>Description</u>  |
|-------------------|-----------------|-------------|---|
| 1                 | 881871          | 1           | White Front Panel Assembly<br>(includes illus. nos. 1, 11, and 12)                          |
|                   | 881697          | 1           | Blue Front Panel Assembly<br>(includes illus. nos. 1, 11, and 12)                           |
| 2                 | 102213          | 1           | 29-7/8" Door Glass  |
|                   | 170730          | 1           | Door Glass/Gasket Adhesive (10.3 oz. cartridge)   |
| 3                 | 102354          | 1           | Main Door Gasket (7/8" x 7/8" x 73")  |
|                   | 170730          | 1           | Door Gasket/Glass Adhesive (10.3 oz. cartridge)   |
| 4                 | 881689          | 1           | White Main Door Assembly Complete<br>(includes illus. nos. 2 through 10)                    |
|                   | 881738          | 1           | Blue Main Door Assembly Complete<br>(includes illus. nos. 2 through 10)                     |
|                   | 881684          | 1           | White Main Door Ring  |
| 5                 | 881756          | 1           | Blue Main Door Ring   |
|                   | 881806          | 6           | 1/4-20 Free Spin Wash Nut (White)   |
|                   | 881807          | 6           | 1/4-20 Free Spin Wash Nut (Blue)  |
| 6                 | 881740          | 6           | 1/4-20 x 5/8" (White) Carriage Bolt   |
|                   | 881739          | 6           | 1/4-20 x 5/8" (Blue) Carriage Bolt  |
| 7                 | 881688          | 1           | White CRS Main Door Handle  |
|                   | 881737          | 1           | Blue CRS Main Door Handle   |
| 8                 | 881685          | 1           | White Main Door Hinge   |
|                   | 881757          | 1           | Blue Main Door Hinge  |
| 9                 | 150120          | 1           | Main Door Latch Screw   |
| 10                | 151012          | 1           | #10-32 White Acorn Nut  |
|                   | 151014          | 1           | #10-32 Blue Acorn Nut   |
| 11                | 170330          | 1           | Friction Door Catch   |
| 12                | 154215          | 2           | 5/32" Pop Rivet   |
| 13                | 150443          | 4           | 1/4-20 x 3/4" Stainless Steel Cap Screw   |
| 14                | 881440          | 1           | White Top Hinge Block with Stainless Steel Cap Screw<br>(includes illus. nos. 13 and 15)    |
|                   | 881736          | 1           | Blue Top Hinge Block with Stainless Steel Cap Screw<br>(includes illus. nos. 13 and 15)     |
| 15                | 881441          | 1           | White Bottom Hinge Block with Stainless Steel Cap Screw<br>(includes illus. nos. 14 and 15) |
|                   | 881735          | 1           | Blue Bottom Hinge Block with Stainless Steel Cap Screw<br>(includes illus. nos. 14 and 15)  |
| 16                | 153031          | 1           | Nylon Washer  |

for models mfd. prior to October 24, 1997



| Illus. No. | Part No. | Qty. | Description   |
|------------|----------|------|---|
| 1          | 881741   | 1    | White Main Door Handle  |
|            | 881760   | 1    | Blue Main Door Handle   |
| 2          | 151011   | 3    | 5/16-18 Acorn Nut   |
| 3          | 881552   | 1    | White Main Door ONLY  |
|            | 881550   | 1    | Blue Main Door ONLY   |
|            | 881816   | 1    | White Main Door Assembly                                      |
|            | 881820   | 1    | Blue Main Door Assembly<br>(includes illus. nos. 1 through 7) |
| 4          | 151011   | 9    | 5/16-18 Acorn Nut   |
| 5          | 102210   | 1    | 20-7/16" Door Glass   |
|            | 170730   | 1    | Door Glass/Gasket Adhesive (10.3 oz. cartridge)               |
| 6          | 102112   | 2    | Door Magnet (5/16" x 1/4" x 34-3/4")                          |
|            | 102356   | 1    | Main Door Gasket (13-1/6" x 1-3/8" x 97-1/2")                 |
| 7          | 170730   | 1    | Door Gasket/Glass Adhesive (10.3 oz. cartridge)               |
|            | 881441   | 1    | White Bottom Hinge Block with Stainless Steel Cap Screw       |
| 8          | 881735   | 1    | Blue Bottom Hinge Block with Stainless Steel Cap Screw        |
|            | 150443   | 4    | 1/4-20 x 3/4" Stainless Steel Cap Screw                       |
| 9          | 881440   | 1    | White Top Hinge Block with Stainless Steel Cap Screw          |
|            | 881736   | 1    | Blue Top Hinge Block with Stainless Steel Cap Screw           |
| 10         | 881799   | 1    | White Front Panel Assembly                                    |
|            | 881920   | 1    | Blue Front Panel Assembly                                     |

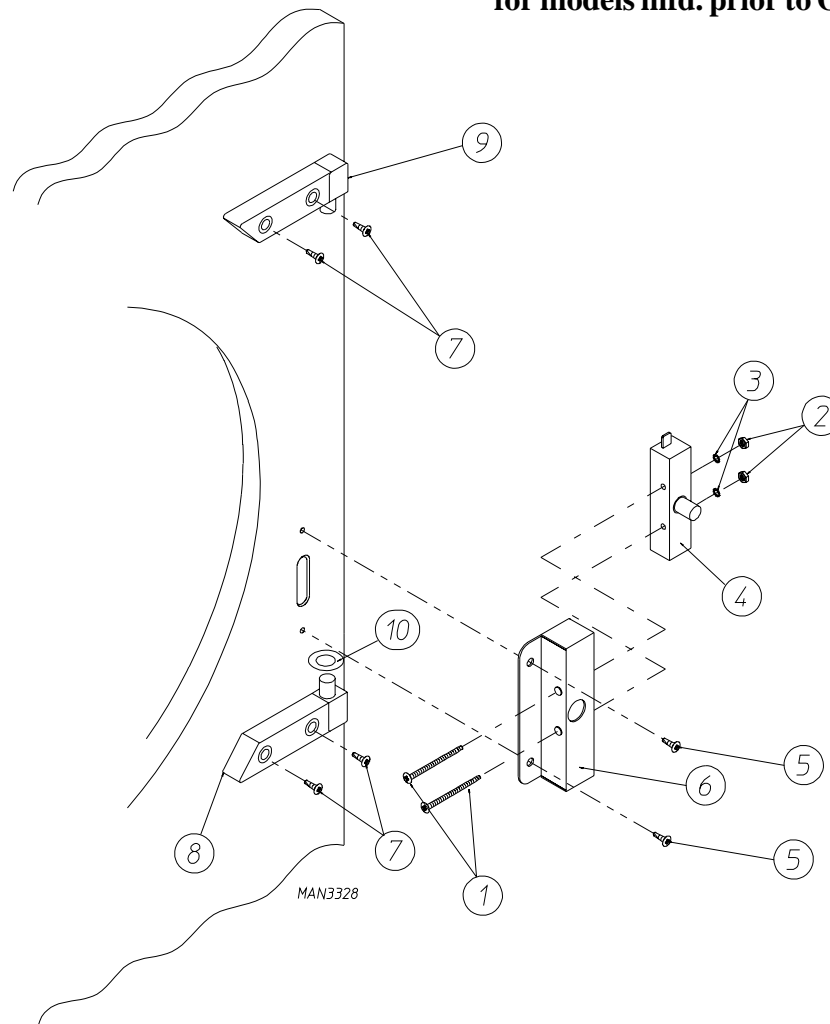
for models mfd. as of October 24, 1997



MAN3637

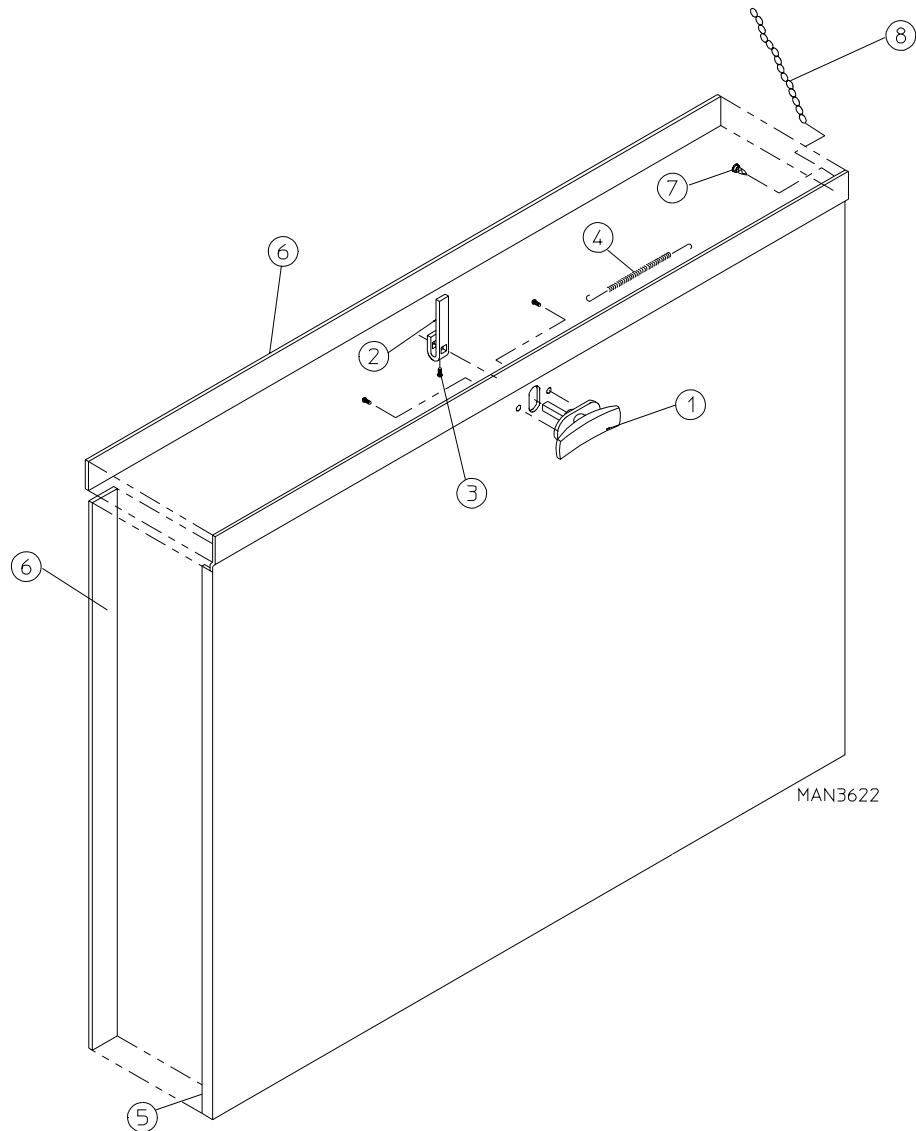
| <u>Illus. No.</u> | <u>Part No.</u> | <u>Qty.</u> | <u>Description</u>  |
|-------------------|-----------------|-------------|---|
| 1                 | 150006          | 2           | #6-32 x 7/8" Phillips Pan Head Machine Screw  |
| 2                 | 152013          | 2           | #6-32 Hex Nut   |
| 3                 | 153010          | 2           | #6 Star Washer  |
| 4                 | 137005          | 1           | Single Pole Door Switch   |
| 5                 | 150443          | 4           | 1/4-20 x 3/4" Stainless Steel Cap Screw   |
| 6                 | 881687          | 1           | White Main Door Switch Housing ONLY   |
|                   | 881695          | 1           | Blue Main Door Switch Housing ONLY  |
|                   | 881702          | 1           | White Main Door Switch with Housing Assembly<br>(includes illus. nos. 1 through 4 and 6)  |
|                   | 881700          | 1           | Blue Main Door Switch with Housing Assembly<br>(includes illus. nos. 1 through 4 and 6)   |
| 7                 | 150301          | 2           | #8-18 x 7/16" Phillips Pan Head TEK Screw   |
| 8                 | 881441          | 1           | White Bottom Hinge Block with Stainless Steel Cap Screw<br>(includes illus. nos. 5 and 8) |
|                   | 881735          | 1           | Blue Bottom Hinge Block with Stainless Steel Cap Screw<br>(includes illus. nos. 5 and 8)  |
| 9                 | 881440          | 1           | White Top Hinge Block with Stainless Steel Cap Screw<br>(includes illus. nos. 5 and 9)    |
|                   | 881736          | 1           | Blue Top Hinge Block with Stainless Steel Cap Screw<br>(includes illus. nos. 5 and 9)     |
| 10                | 153031          | 1           | Nylon Washer  |

for models mfd. prior to October 24, 1997



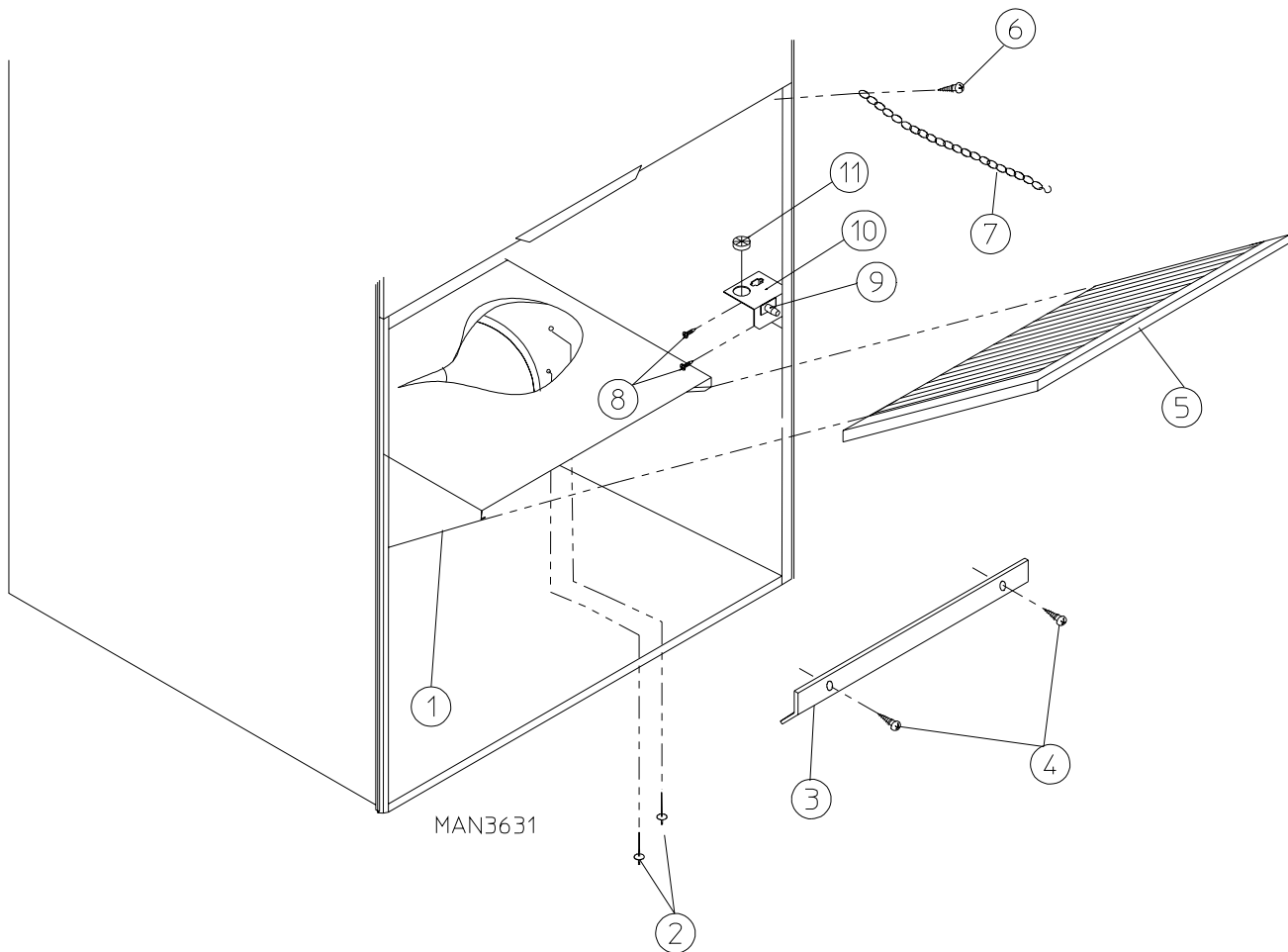
| Illus. No. | Part No. | Qty. | Description   |
|------------|----------|------|---|
| 1          | 150006   | 2    | #6-32 x 7/8" Phillips Pan Head Machine Screw  |
| 2          | 152013   | 2    | #6-32 Hex Nut   |
| 3          | 153010   | 2    | #6 Star Washer  |
| 4          | 137005   | 1    | Single Pole Door Switch   |
| 5          | 150301   | 2    | #8-18 x 7/16" Phillips Pan Head TEK Screw   |
| 6          | 881726   | 1    | White Main Door Switch Housing ONLY   |
|            | 881698   | 1    | White Main Door Switch with Housing Assembly<br>(includes illus. nos. 1 through 4 and 6)  |
|            | 881153   | 1    | Black Main Door Switch with Housing Assembly<br>(includes illus. nos. 1 through 4 and 6)  |
| 7          | 150443   | 4    | 1/4-20 x 3/4" Stainless Steel Cap Screw   |
| 8          | 881441   | 1    | White Bottom Hinge Block with Stainless Steel Cap Screw<br>(includes illus. nos. 7 and 8) |
|            | 881735   | 1    | Blue Bottom Hinge Block with Stainless Steel Cap Screw<br>(includes illus. nos. 7 and 8)  |
| 9          | 881440   | 1    | White Top Hinge Block with Stainless Steel Cap Screw<br>(includes illus. nos. 7 and 9)    |
|            | 881736   | 1    | Blue Bottom Hinge Block with Stainless Steel Cap Screw<br>(includes illus. nos. 7 and 8)  |
| 10         | 153031   | 1    | Nylon Washer  |



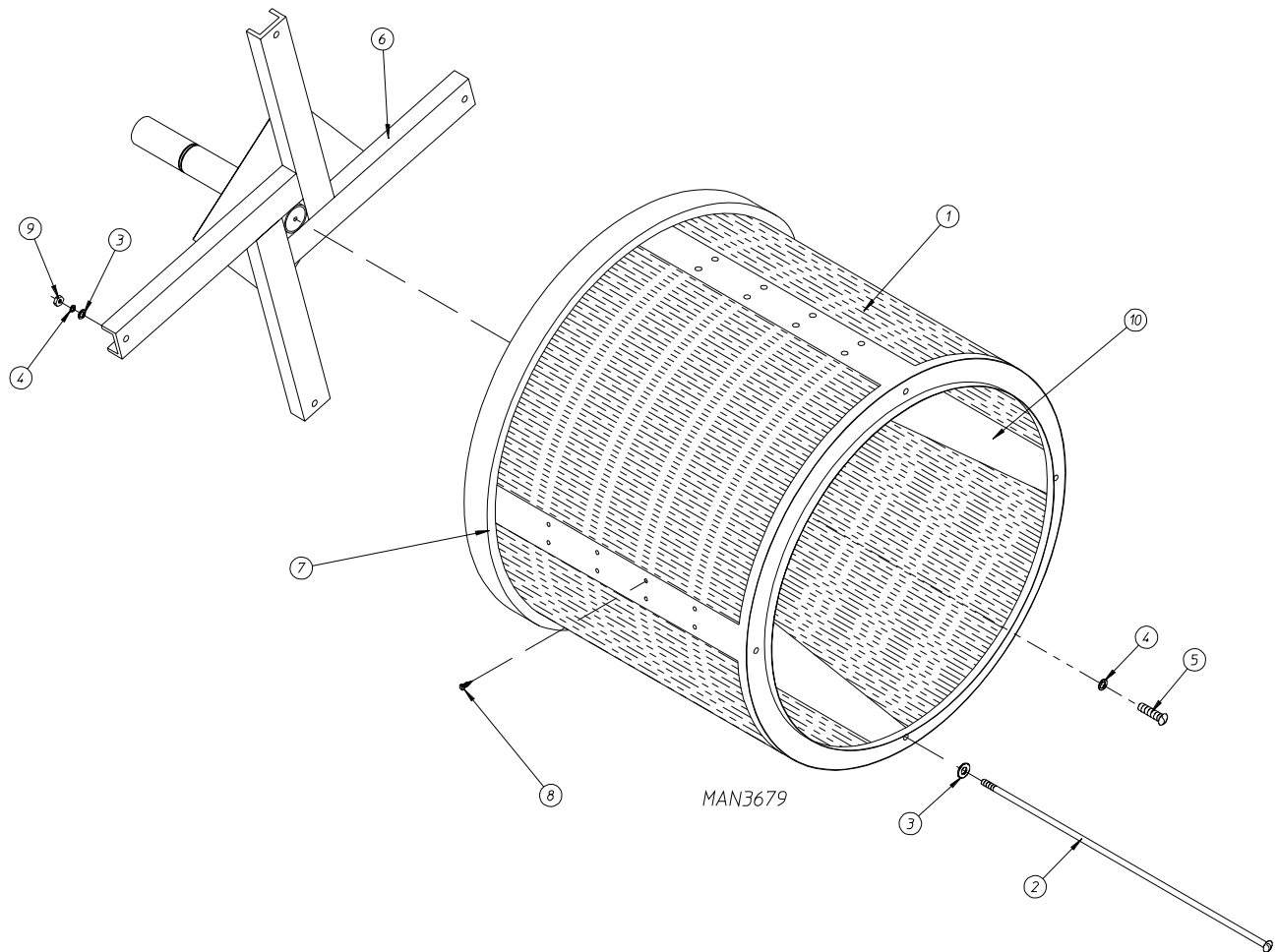


| <u>Illus. No.</u> | <u>Part No.</u> | <u>Qty.</u> | <u>Description</u>   |
|-------------------|-----------------|-------------|--|
| 1                 | 800150          | 1           | Knob Latch Kit Assembly<br>(includes illus. nos. 1 through 3)                        |
|                   | 160200          | 1           | Knob Latch ONLY with 2 Screws (without cam)  |
| 2                 | 160009          | 1           | Knob Latch Adjustable Cam ONLY   |
| 3                 | 150425          | 1           | #12-24 x 3/8" Round Head Machine Screw ONLY<br>(screw for Knob Latch Adjustable Cam) |
| 4                 | 157000          | 1           | Drop Lint Door Spring  |
| 5*                | 881870          | 1           | White Drop Lint Door Assembly<br>(includes illus. nos. 5 and 6)                      |
|                   | 881862          | 1           | Blue Drop Lint Door Assembly<br>(includes illus. nos. 5 and 6)                       |
| 6                 | 117600          | 7           | Noise Suppressor Tape (sold by the foot)   |
| 7                 | 150419          | 2           | #6 x 1/2" Tamperproof TEK Screw  |
|                   | 150418          | 1           | Tamperproof Screw Hand Driver  |
| 8                 | 108120          | 1           | Chain for Drop Lint Door (10-1/2" length)  |

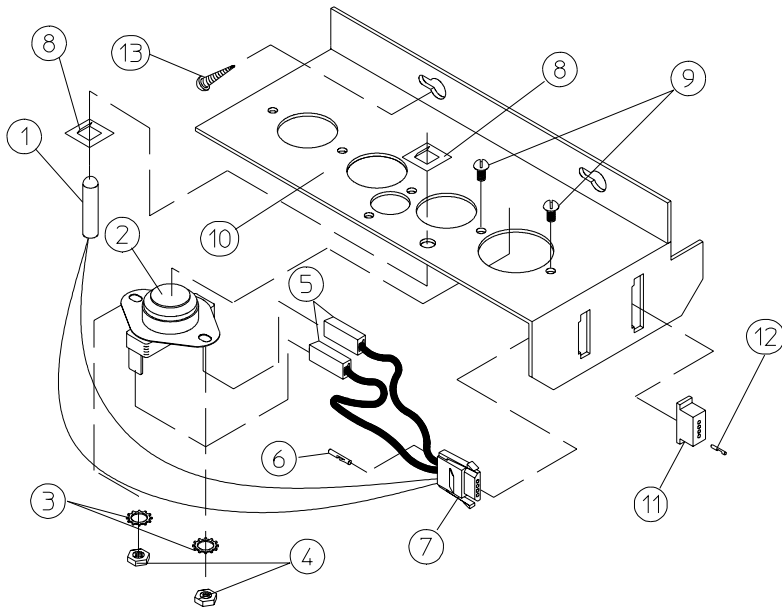
\* Specify color when ordering.



| <u>Illus. No.</u> | <u>Part No.</u> | <u>Qty.</u> | <u>Description</u>   |
|-------------------|-----------------|-------------|--|
| 1                 | 800402          | 1           | Non-Reversing Lint Trap Assembly Complete<br>(includes illus. nos. 1, 3, 4, and 5) |
|                   | 800404          | 1           | Non-Reversing Lint Trap ONLY   |
|                   | 800407          | 1           | Reversing Lint Trap Assembly Complete<br>(includes illus. nos. 1, 3, 4, and 5)     |
|                   | 800406          | 1           | Reversing Lint Trap ONLY   |
| 2                 | 154200          | 7           | 5/32" Pop Rivet  |
| 3                 | 304101          | 1           | Lint Screen Holder ONLY  |
| 4                 | 150300          | 2           | #10 x 1/2" Hex Washer TEK Screw  |
| 5                 | 800501          | 1           | Lint Screen ONLY   |
| 6                 | 150419          | 2           | #6 x 1/2" Tamperproof TEK Screw  |
|                   | 150418          | 1           | Tamperproof Screw Hand Driver  |
| 7                 | 108120          | 1           | Chain for Drop Lint Door (10-1/2" length)  |
| 8                 | 150425          | 2           | #12-24 x 3/8" Phillips Round Head Machine Screw                                    |
| 9                 | 122116          | 1           | Lint Drawer Switch ONLY  |
| 10                | 323724          | 1           | Lint Drawer Switch Bracket   |
| ---               | 881769          | 1           | Lint Drawer Switch Bracket Harness   |

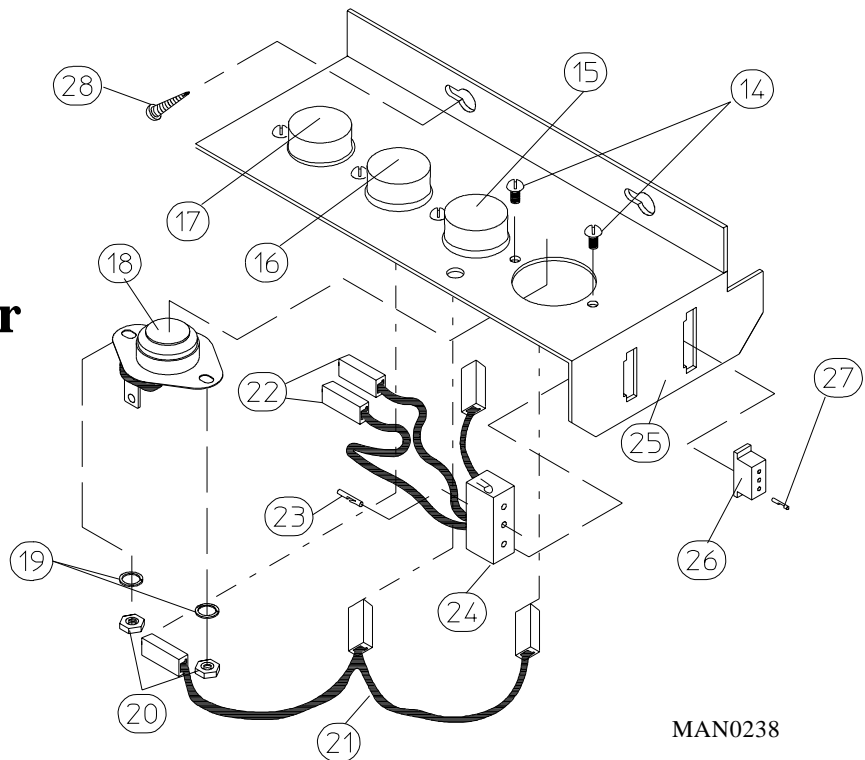


| Illus. No. | Part No. | Qty. | Description  |
|------------|----------|------|--|
| 1          | 881774   | 1    | Basket (Tumbler) ONLY with Felt Collar   |
|            | 881829   | 1    | Non-Reversing Basket (Tumbler) and Support Assembly Complete (includes illus. nos. 1 through 10) |
|            | 881777   | 1    | Reversing Basket (Tumbler) and Support Assembly Complete (includes illus. nos. 1 through 10)     |
| 2          | 100902   | 4    | 5/16-18 x 31" Tie Rod  |
| 3          | 153001   | 8    | 5/16" Flat Washer  |
| 4          | 153002   | 5    | 5/16" Lock Washer  |
| 5          | 150500   | 1    | 5/16-18 x 3/4" Socket Button Head Screw  |
| 6          | 881828   | 1    | Non-Reversing Basket (Tumbler) Support ONLY  |
|            | 881776   | 1    | Reversing Basket (Tumbler) Support ONLY  |
| 7          | 116000   | 1    | Felt Collar ONLY   |
|            | 401010   | 1    | #847 Adhesive for Felt Collar  |
| 8          | 150309   | 40   | #10-16 x 1/2" Hex Head TEK Crimplite Screw   |
| 9          | 152004   | 4    | 5/16" Hex Nut  |
| 10         | 301316   | 4    | Basket (Tumbler) Rib ONLY  |



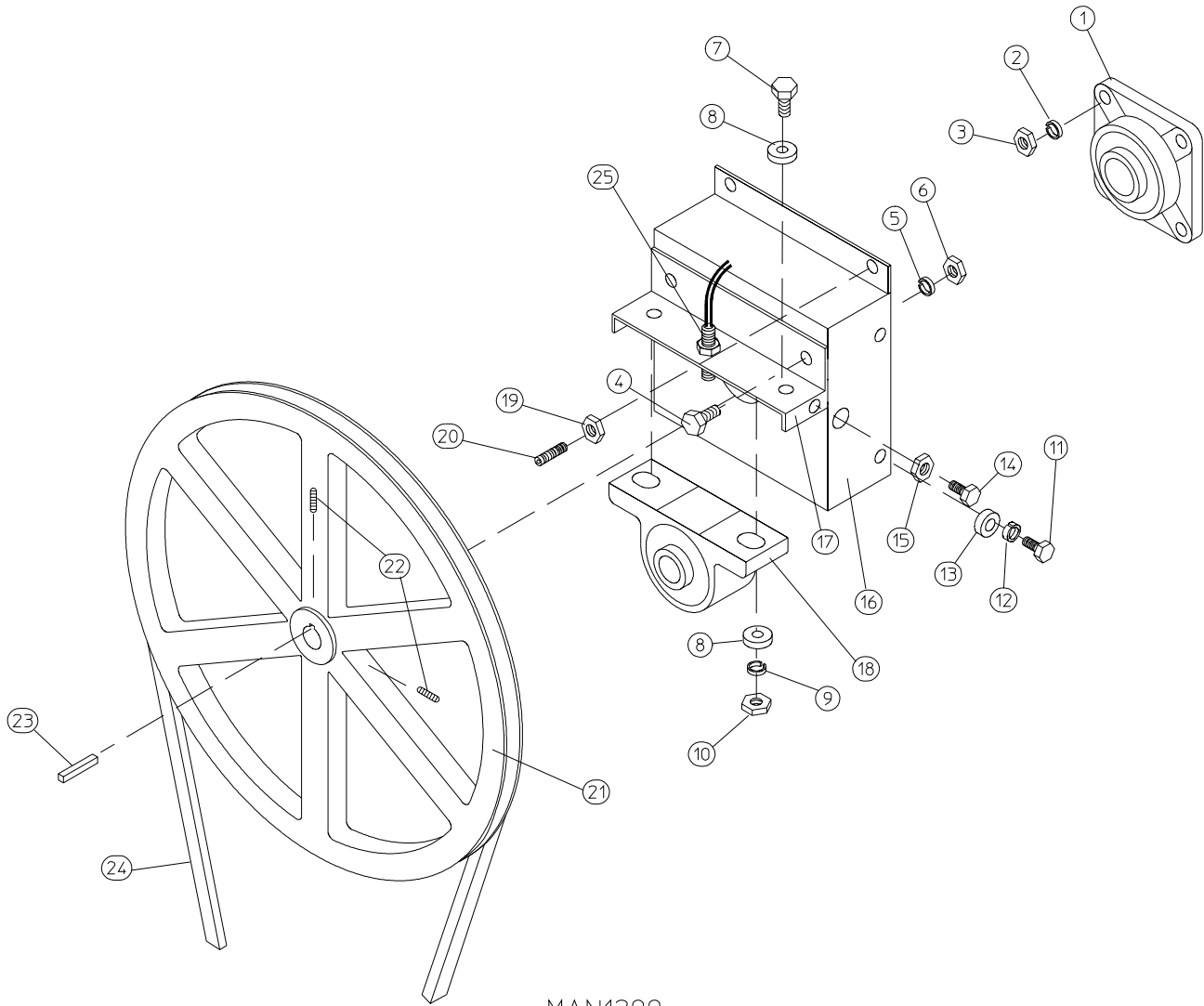
### Microprocessor Sensor Bracket Assembly

### Non-Computer Sensor Bracket Assembly



MAN0238

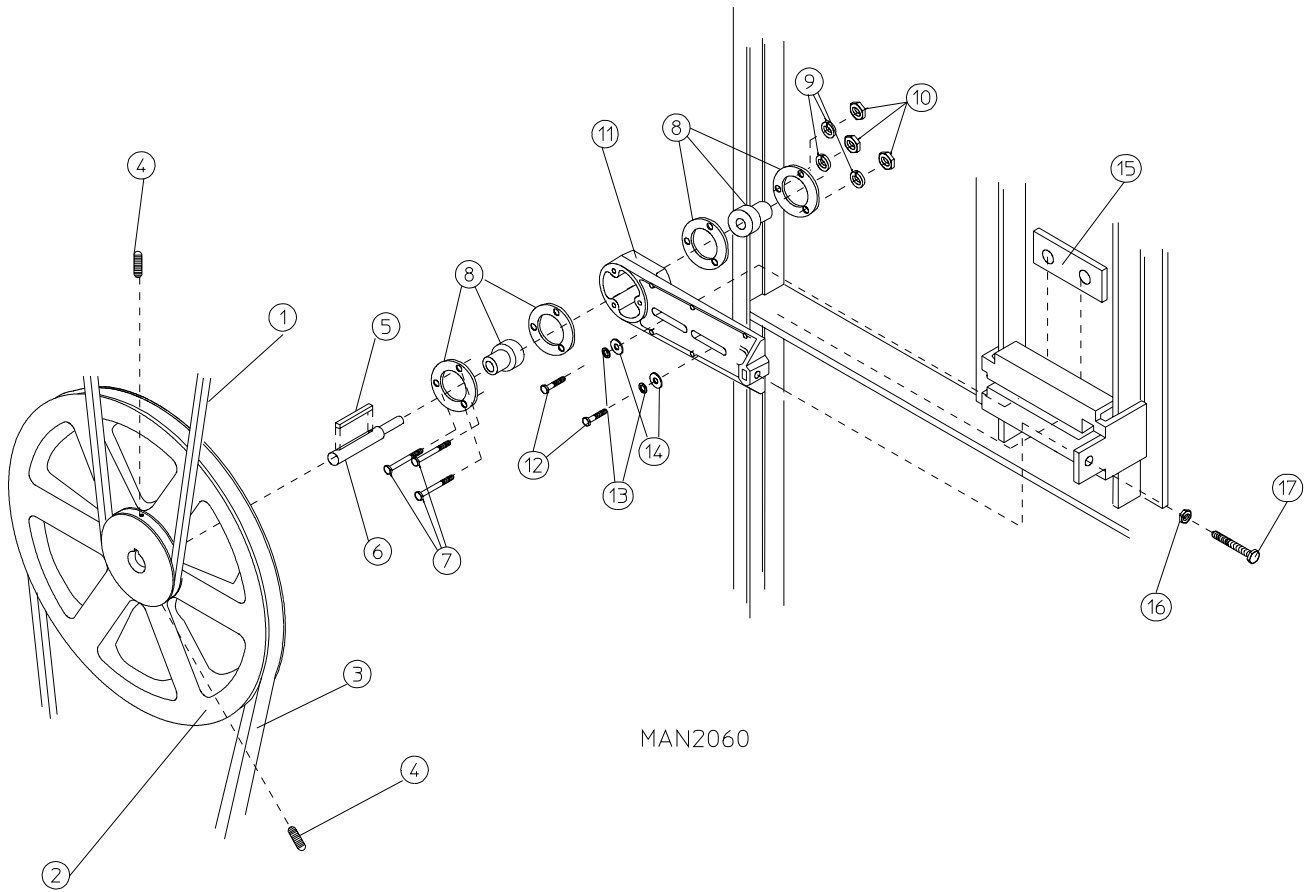
| <u>Illus. No.</u> | <u>Part No.</u> | <u>Qty.</u> | <u>Description</u>   |
|-------------------|-----------------|-------------|--|
| 1                 | 880251          | 1           | 1/4" Temperature Sensor Probe Assembly<br>(includes illus. nos. 1 and 5 through 8)                               |
| 2                 | 130103          | 1           | 225° Large Automatic Thermostat  |
| 3                 | 153010          | 2           | #6 Star Washer   |
| 4                 | 152000          | 2           | #6-32 Hex Nut  |
| 5                 | 121028          | 2           | Insulated Terminal ONLY  |
| 6                 | 122701          | 4           | Socket Terminal ONLY   |
| 7                 | 122605          | 1           | 4-Pin Socket Connector ONLY  |
| 8                 | 154007          | 2           | 1/4" Tinnerman Push-on Fastener  |
| 9                 | 150005          | 2           | #6-32 x 1/4" Round Head Machine Screw  |
| 10                | 801425          | 1           | Microprocessor Sensor Bracket Assembly Complete<br>(includes illus. nos. 1 through 10)                           |
|                   | 305007          | 1           | Universal Sensor Bracket ONLY  |
| 11                | 122604          | 1           | 4-Pin Connector ONLY   |
| 12                | 122700          | 4           | Pin Terminal ONLY  |
| 13                | 150301          | 2           | #8-18 x 7/16" Phillips Pan Head TEK Screw  |
| 14                | 150005          | 5           | #6-32 x 1/4" Phillips Round Head Machine Screw   |
| 15                | 130111          | 1           | 130° Large Thermostat  |
| 16                | 130100          | 1           | 150° Large Thermostat  |
| 17                | 130103          | 1           | 225° Large Automatic Reset Thermostat  |
| 18                | 130101          | 1           | 180° Large Thermostat  |
| 19                | 153010          | 5           | #6 Star Washer   |
| 20                | 152000          | 5           | #6-32 Hex Nut  |
| 21                | 840065          | 1           | Sensor Jumper (4) ONLY   |
| 22                | 121028          | 8           | Insulated Terminal ONLY  |
| 23                | 122701          | 4           | Socket Terminal ONLY   |
| 24                | 122605          | 1           | 4-Pin Socket Connector ONLY  |
|                   | 840062          | 1           | Sensor (4) Bracket Harness Assembly<br>(includes illus. nos. 22 through 24)                                      |
| 25                | 801418          | 1           | Non-Computer Sensor (4) Bracket Assembly Complete (includes thermostats)<br>(includes illus. nos. 14 through 25) |
|                   | 305007          | 1           | Universal Sensor Bracket ONLY  |
| 26                | 122604          | 1           | 4-Pin Connector ONLY   |
| 27                | 122700          | 4           | Pin Terminal ONLY  |
|                   | 122801          | 1           | Pin/Socket Extraction Tool   |
| 28                | 150301          | 2           | #8-18 x 7/16" Phillips Pan Head TEK Screw  |



MAN1299

| <u>Illus. No.</u> | <u>Part No.</u> | <u>Qty.</u> | <u>Description</u>  |
|-------------------|-----------------|-------------|---|
| 1                 | 880220          | 1           | 1-3/4" Flange Bearing with Nylock Set Screws  |
| 2                 | 153005          | 4           | 3/8" Lock Washer  |
| 3                 | 152005          | 4           | 3/8-16 Hex Nut  |
| 4                 | 150508          | 2           | 3/8-16 x 3/4" Hex Head Machine Bolt   |
| 5                 | 153005          | 2           | 3/8" Lock Washer  |
| 6                 | 152005          | 2           | 3/8-16 Hex Nut  |
| 7                 | 150600          | 2           | 3/8-16 x 1-1/2" Hex Head Machine Bolt   |
| 8                 | 153004          | *           | 3/8" Flat Washer  |
| 9                 | 153005          | 2           | 3/8" Lock Washer  |
| 10                | 152005          | 2           | 3/8-16 Hex Nut  |
| 11                | 150501          | 4           | 5/16-18 x 3/4" Hex Head Machine Bolt  |
| 12                | 153002          | 4           | 5/16" Lock Washer   |
| 13                | 153001          | 4           | 5/16" Flat Washer   |
| 14                | 150621          | 2           | 5/16-18 x 1-1/2" Hex Head Machine Bolt  |
| 15                | 152004          | 2           | 5/16-18 Hex Nut   |
| 16                | 801101          | 1           | 1-3/8" Bearing Box Assembly Complete<br>(includes illus. nos. 4 through 20)<br>For models mfd. <b>without</b> Rotational Sensor |
|                   | 801103          | 1           | 1-3/8" Bearing Box and Support ONLY<br>(includes illus. nos. 4, 5, 6, 16, and 17)   |
|                   | 801105          | 1           | 1-3/8" Bearing Box ONLY   |
| 17                | 801104          | 1           | Pillow Block Bearing Support ONLY   |
| 18                | 880202          | 1           | 1-3/8" Pillow Block Bearing with Nylock Set Screws<br>For models mfd. <b>without</b> Rotational Sensor                          |
|                   | 880779          | 1           | 1-3/8" Pillow Block Bearing Assembly with Magnet<br>(for models mfd. <b>with</b> Optional Rotational Sensor)                    |
| 19                | 152004          | 2           | 5/16-18 Hex Nut   |
| 20                | 150608          | 2           | 5/16-18 x 1-1/4" Allen Set Screw  |
| 21                | 101100          | 1           | 18" Pulley<br>(for Non-Reversing Models Only)   |
|                   | 101118          | 1           | 18-3/4" Pulley<br>(for Reversing Models Only)   |
|                   | 101119          | 1           | 1-3/8" Taper Lock Hub (key not included)<br>For Reversing Models ONLY   |
| 22                | 154301          | 2           | 5/16-18 x 5/16" Allen Set Screw   |
| 23                | 100713          | 1           | 1/4" x 1/4" x 7/8" Key  |
| 24                | 100106          | 1           | 5L-690 V-Belt (tumbler [basket] to idler)   |
| 25                | 824807          | 1           | Rotational Sensor Assembly<br>(for models mfd. <b>with</b> Optional Rotational Sensor)  |

\* As required.

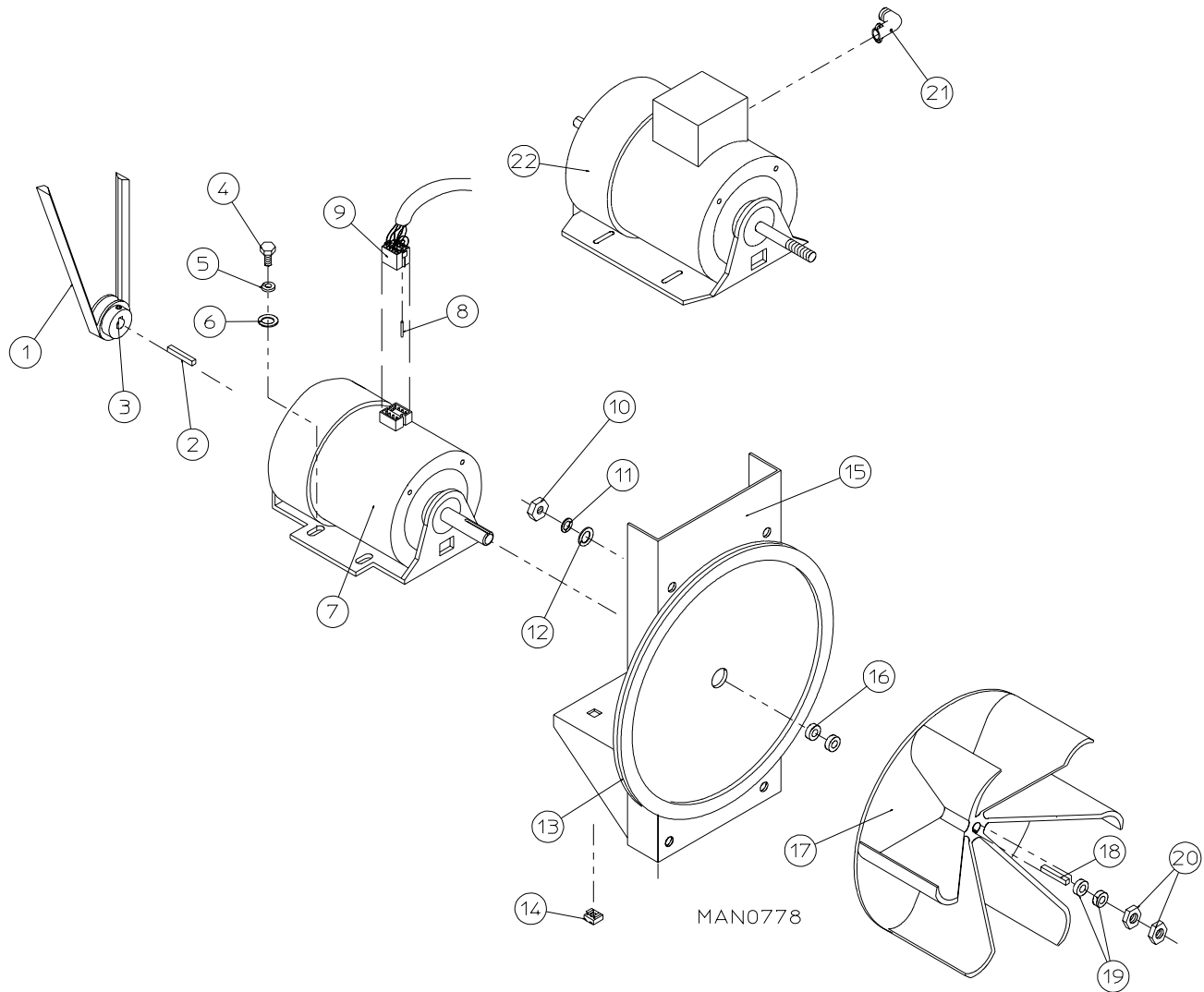


MAN2060



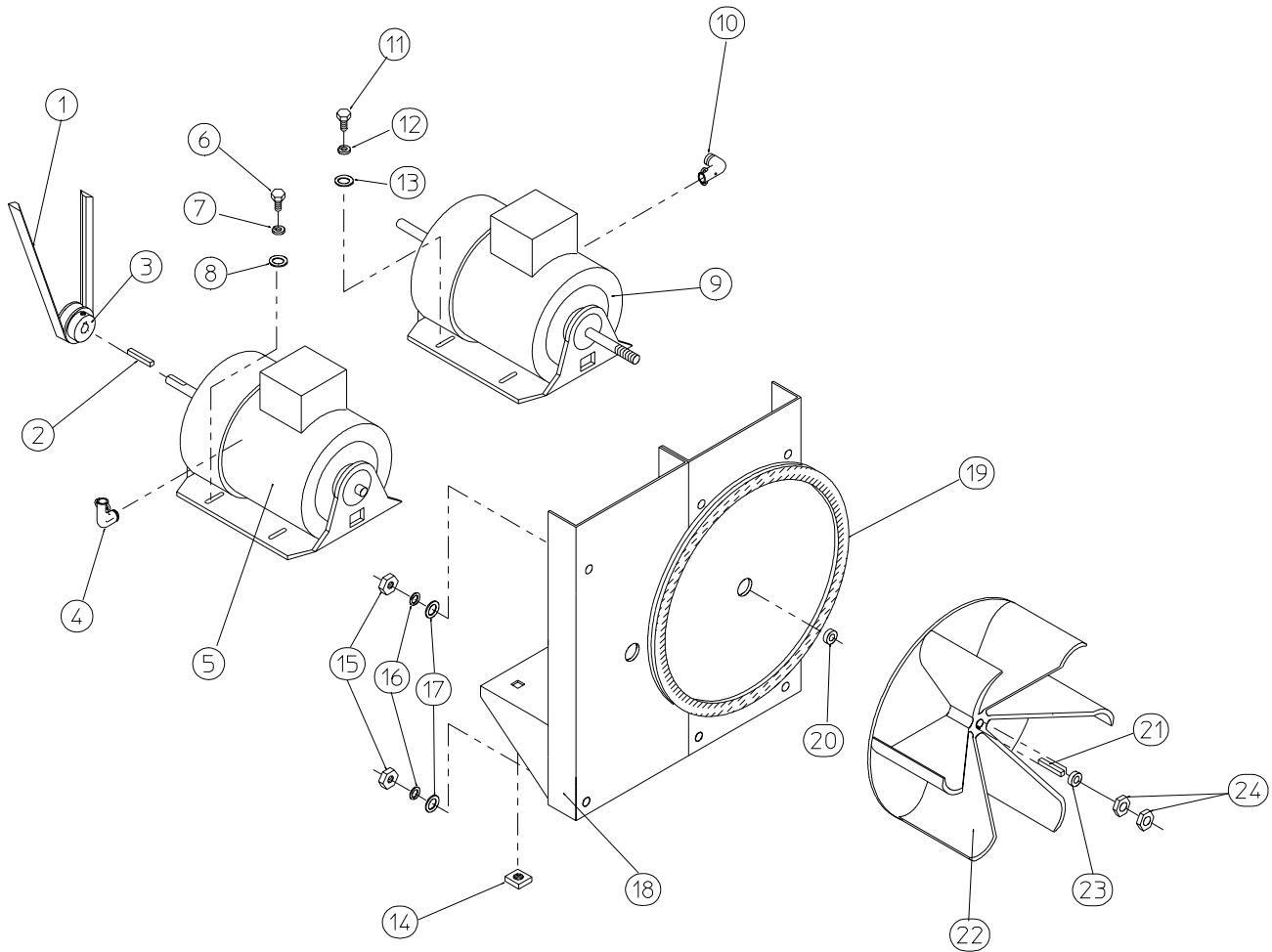
| <u>Illus. No.</u> | <u>Part No.</u> | <u>Qty.</u> | <u>Description</u>   |
|-------------------|-----------------|-------------|--|
| 1                 | 100106          | 1           | 5L-690 V-Belt (idler to basket [tumbler])                              |
| 2                 | 101140          | 1           | 14" x 3" Compound Pulley   |
| 3                 | 100114          | 1           | 4L-630 V-Belt (idler to motor)   |
| 4                 | 154301          | 2           | 5/16-18 x 1" Allen Set Screw   |
| 5                 | 100705          | 1           | 3/16" x 3/16" x 1-3/8" Key   |
| 6                 | 301850          | 1           | 5/8" x 3/4" Idler Shaft ONLY   |
| 7                 | 150529          | 3           | 1/4-20 x 2-1/4" Carriage Bolt  |
| 8                 | 880214          | 2           | 5/8" Flange Bearing with Nylock Set Screws                             |
| 9                 | 153007          | 3           | 1/4" Lock Washer   |
| 10                | 152002          | 3           | 1/4-20 Hex Nut   |
| 11                | 801007          | 1           | Idler Bearing Assembly Complete<br>(includes illus. nos. 5 through 17) |
| 12                | 150617          | 2           | 3/8-16 x 1" Hex Head Machine Bolt                                      |
| 13                | 153005          | 2           | 3/8" Lock Washer   |
| 14                | 153004          | 2           | 3/8" Flat Washer   |
| 15                | 801009          | 1           | Idler Square Washer  |
| 16                | 152004          | 1           | 5/16-18 Hex Nut  |
| 17                | 150509          | 1           | 5/16-18 x 3" Hex Head Machine Bolt                                     |

# 24 Non-Reversing Totally Enclosed, Fan-Cooled (T.E.F.C.) Motor Mount Assembly



| <u>Illus. No.</u> | <u>Part No.</u> | <u>Qty.</u> | <u>Description</u>  |
|-------------------|-----------------|-------------|---|
| 1                 | 100114          | 1           | 4L-630 V-Belt (motor to idler)  |
| 2                 | 100701          | 1           | 3/16" x 3/16" x 1" Key  |
| 3                 | 101133          | 1           | 5/8" x 2-1/4" Motor Pulley (for 60 Hz Models Only)  |
|                   | 101130          | 1           | 5/8" x 2-1/2" Motor Pulley (for 50 Hz Models Only)  |
| 4                 | 150501          | 4           | 5/16-18 x 3/4" Hex Head Machine Bolt  |
| 5                 | 153002          | 4           | 5/16" Lock Washer   |
| 6                 | 153001          | 4           | 5/16" Flat Washer   |
| 7                 | 100069*         | 1           | 3/4 HP 120/230v 1ø 60 Hz T.E.F.C. Motor with Plug (56Z frame)   |
| 8                 | 122701          | 8           | Socket Terminal ONLY  |
|                   | 122801          | 1           | Pin/Socket Extraction Tool  |
| 9                 | 137030          | 1           | 8-Pin Housing Connector   |
| 10                | 152004          | 4           | 5/16-18 Hex Nut   |
| 11                | 153002          | 4           | 5/16" Lock Washer   |
| 12                | 153001          | 4           | 5/16" Flat Washer   |
| 13                | 117600          | 4           | Noise Suppressor Tape (sold by the foot)  |
| 14                | 154000          | 4           | 5/16-18 Tinnerman Nut   |
| 15                | 800906          | 1           | Non-Reversing Motor Mount ONLY (56Z frame)  |
|                   | 803774*         | 1           | 3/4 HP 120/230v 1ø 60 Hz T.E.F.C. Motor Mount Assembly Complete with Plug Motor<br>(includes illus. nos. 3 through 7 and 13 through 20)       |
|                   | 803785          | 1           | 3/4 HP 230v 1ø 50 Hz T.E.F.C. Motor Mount Assembly Complete with Plug Motor<br>(includes illus. nos. 3 through 7 and 13 through 22)           |
|                   | 803771*         | 1           | 1/2 HP 208/230/380/460v 3ø 60 Hz Non-Reversing T.E.F.C. Motor Mount Assembly Complete<br>(includes illus. nos. 2 through 6 and 13 through 22) |
|                   | 803776*         | 1           | 1/2 HP 208/230/380/460v 3ø 50 Hz Non-Reversing T.E.F.C. Motor Mount Assembly Complete<br>(includes illus. nos. 2 through 6 and 13 through 22) |
| 16                | 153050          | 2           | 1/2" S.A.E. Flat Washer   |
| 17                | 100604          | 1           | 12-1/2" Impellor (Fan/Blower) with 1/2" Bore  |
| 18                | 100702          | 1           | 1/8" x 1/8" x 1-1/2" Key  |
| 19                | 153050          | 2           | 1/2" S.A.E. Flat Washer   |
| 20                | 152006          | 2           | 1/2-20 Left Hand Jam Nut  |
| 21                | 120200          | 1           | 3/8" x 90° Connector  |
| 22*               | 100007          | 1           | 1/2 HP 208/230/240/460v 3ø 50/60 Hz T.E.F.C. Motor (56Z frame)  |

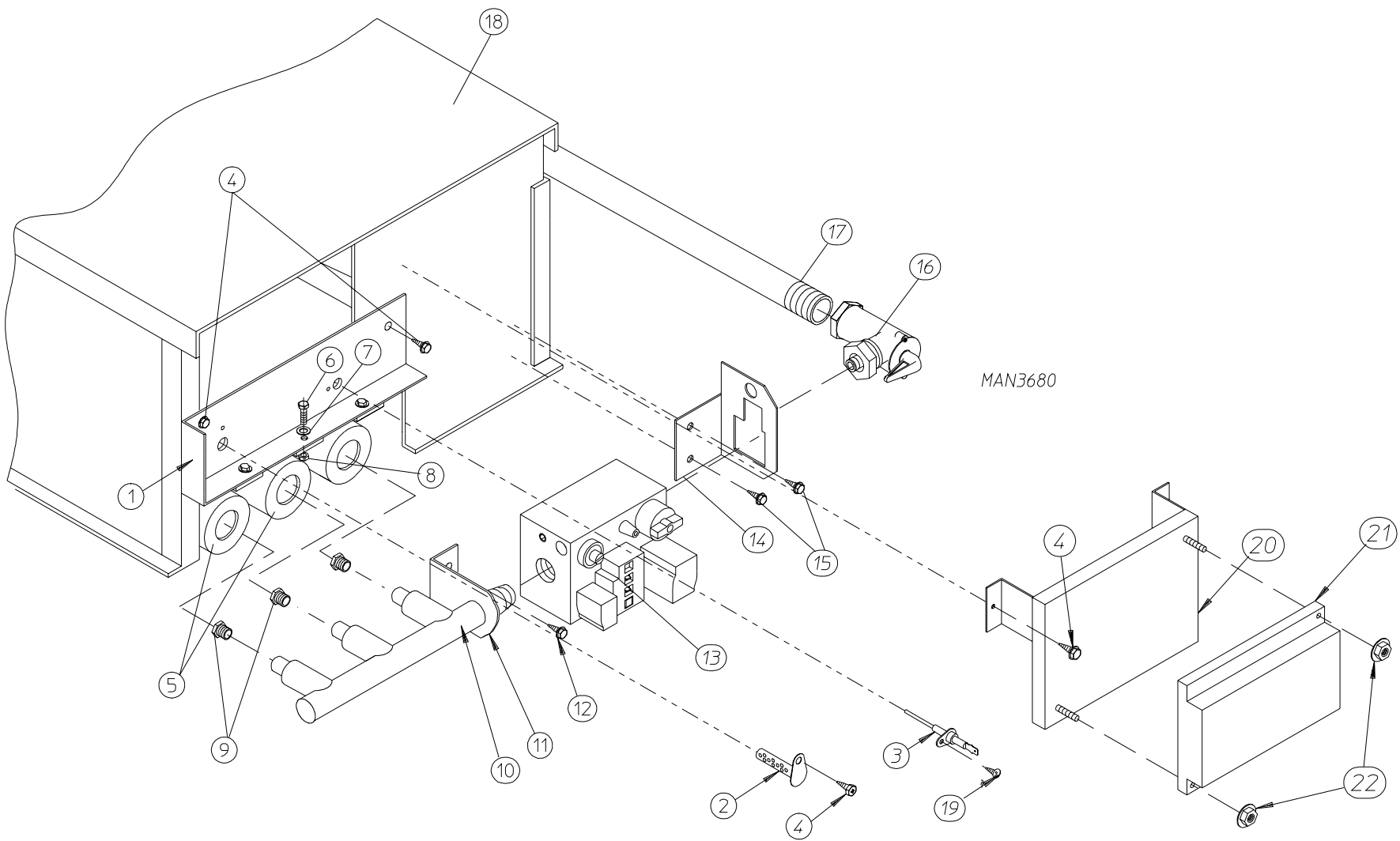
\* Specify voltage when ordering.



MAN0250

| <u>Illus. No.</u> | <u>Part No.</u> | <u>Qty.</u> | <u>Description</u>   |
|-------------------|-----------------|-------------|--|
| 1                 | 100114          | 1           | 4L-630 V-Belt (motor to idler)   |
| 2                 | 100701          | 1           | 3/16" x 3/16" x 1" Key   |
| 3                 | 101133          | 1           | 5/8" x 2-3/4" Motor Pulley (for 60 Hz Models Only)   |
|                   | 101130          | 1           | 5/8" x 2-1/2" Motor Pulley (for 50 Hz Models Only)   |
| 4                 | 120200          | 1           | 3/8" x 90° Connector   |
| 5*                | 181003          | 1           | 1/2 HP 208/230/380/460v 3ø 50/60 Hz T.E.F.C. (56Z frame)   |
| 6                 | 150501          | 4           | 5/16-18 x 3/4" Hex Head Machine Bolt   |
| 7                 | 153002          | 4           | 5/16" Lock Washer  |
| 8                 | 153001          | 4           | 5/16" Flat Washer  |
| 9*                | 100007          | 1           | 1/2 HP 208/230/240/460v 3ø 50/60 Hz T.E.F.C. Motor (56Z frame)   |
| 10                | 120200          | 1           | 3/8" x 90° Connector   |
| 11                | 150501          | 4           | 5/16-18 x 3/4" Hex Head Machine Bolt   |
| 12                | 153002          | 4           | 5/16" Lock Washer  |
| 13                | 153001          | 4           | 5/16" Flat Washer  |
| 14                | 154000          | 8           | 5/16" Tinnerman Nut  |
| 15                | 152004          | 4           | 5/16" Hex Nut  |
| 16                | 153002          | 4           | 5/16" Lock Washer  |
| 17                | 153001          | 4           | 5/16" Flat Washer  |
| 18                | 800912          | 1           | Reversing Motor Mount ONLY (56Z frame)   |
|                   | 803993*         | 1           | Reversing T.E.F.C. Motor Mount Assembly Complete<br>(includes illus. nos. 2 through 14 and 18 through 24)<br>For 60 Hz Models ONLY |
|                   | 803994*         | 1           | Reversing T.E.F.C. Motor Mount Assembly Complete<br>For 50 Hz Models ONLY<br>(includes illus. nos. 2 through 14 and 18 through 24) |
| 19                | 117600          | 4           | Noise Suppressor Tape (sold by the foot)   |
| 20                | 153050          | 2           | 1/2" S.A.E. Flat Washer  |
| 21                | 100702          | 1           | 1/8" x 1/8" x 1-1/2" Key   |
| 22                | 100604          | 1           | 12-1/2" Impellor (Fan/Blower) with 1/2" Bore   |
| 23                | 153050          | 2           | 1/2" S.A.E. Flat Washer  |
| 24                | 152006          | 2           | 1/2-20 Left Hand Jam Nut   |

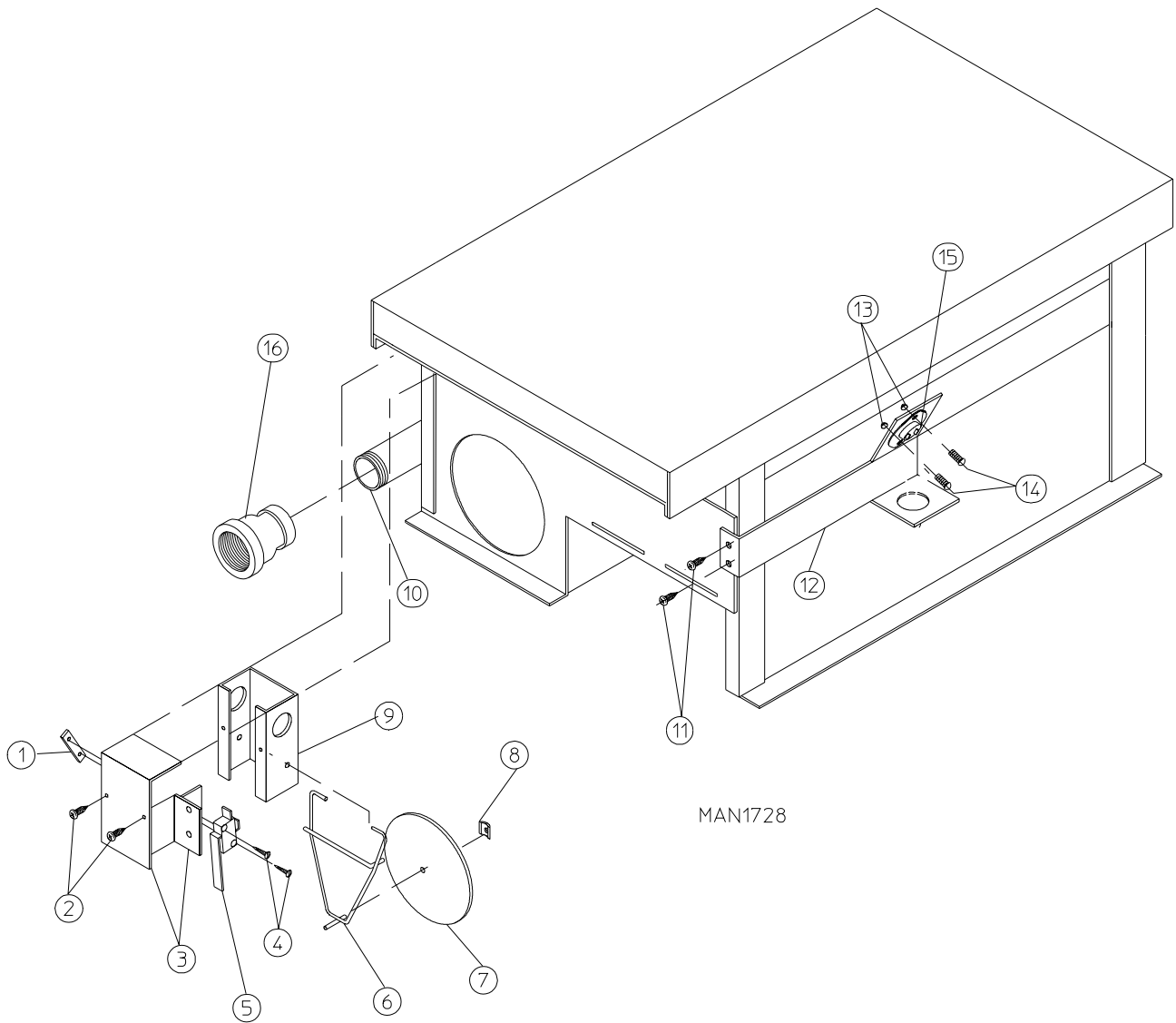
\* Specify voltage when ordering.



| <u>Illus. No.</u> | <u>Part No.</u> | <u>Qty.</u> | <u>Description</u>   |
|-------------------|-----------------|-------------|--|
| 1                 | 318403          | 1           | HSI (Hot Surface Ignition) Burner Shield   |
| 2                 | 881597          | 1           | Hot Surface Ignitor (HSI) - 24 VAC (2-1/2" length)   |
| 3                 | 128921          | 1           | HSI (Hot Surface Ignition) Flame Sensor  |
| 4                 | 150309          | 2           | #10-16 x 1/2" Hex Head TEK Crimptite Screw   |
| 5                 | 141105          | 3           | Large Burner Tube  |
| 6                 | 150103          | 1           | #8-32 x 1/2" Phillips Round Head Machine Screw   |
| 7                 | 153000          | 1           | #8 Steel Burr  |
| 8                 | 151001          | 1           | #8-32 Pal Nut  |
| 9*                | -----           | 3           | Burner Orifice<br>(refer to <b>HSI Burner Orifice Listing</b> on <b>page 45</b> )                                      |
| 10                | 141232          | 1           | 3-Port Manifold  |
| 11                | 318700          | 1           | Pipe Bracket   |
| 12                | 150300          | 2           | #10 x 1/2" Hex Washer TEK Screw  |
| 13                | 128927          | 1           | 1/2" 24 VAC Redundant (natural gas) Gas Valve  |
|                   | 880960          | 1           | 1/2" 24 VAC L.P. (liquid propane) Gas Valve Assembly   |
|                   | 140411          | 1           | 24 VAC Gas Valve L.P. (liquid propane) Conversion Kit  |
| 14                | 318712          | 2           | GV Pipe Bracket  |
| 15                | 150309          | 2           | #10-32 x 1/2" Hex Head TEK Crimptite Screw   |
| 16                | 881367          | 1           | 1/2" Union Shut Off with Tail Piece  |
| 17                | 142809          | 1           | 1/2" x 29-1/8" Pipe  |
| 18                | -----**         | 1           | HSI (Hot Surface Ignition) Burner Assembly<br>(refer to <b>HSI Burner Assembly Listing</b> on <b>page 45</b> )         |
|                   | 881865          | 1           | Non-Heat Reclaimer Burner Box ONLY without HSI Burner Shield   |
| 19                | 150301          | 1           | #8-18 x 7/16" Phillips Pan Head TEK Screw  |
| 20                | 810029          | 1           | HSI (Hot Surface Ignition) Module Bracket Assembly   |
| 21                | 881797          | 1           | HSI (Hot Surface Ignition) Module II   |
| 22                | 151001          | 2           | #8-32 Pal Nut  |
| ---*              | -----           | 1           | HSI (Hot Surface Ignition) L.P. Conversion Kit<br>(refer to <b>HSI L.P. Conversion Kit Listing</b> on <b>page 45</b> ) |

\* Consult factory for elevations over 2,000 feet.

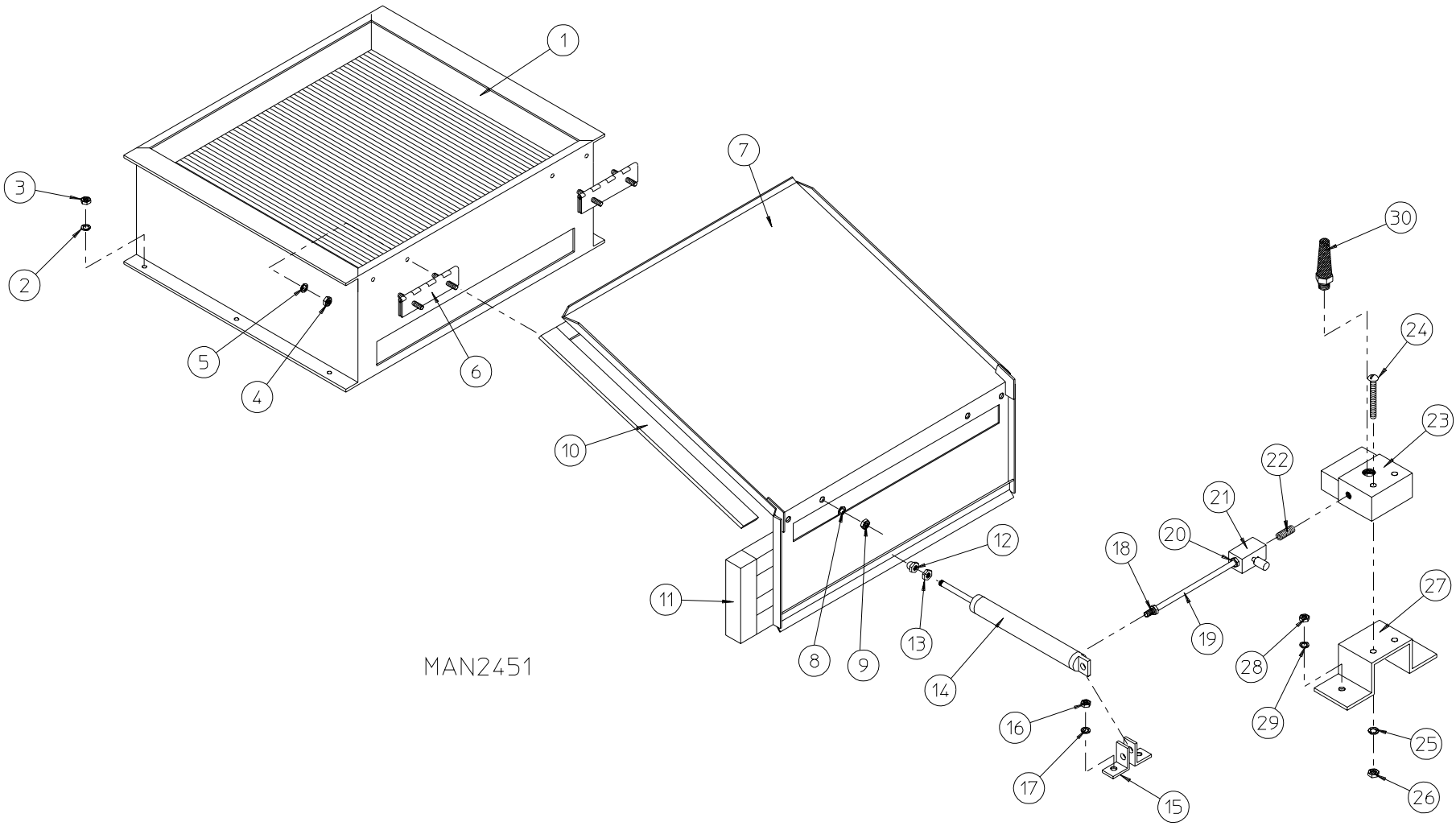
\*\* Burner orifices *are not included* and **must be** ordered separately.



MAN1728

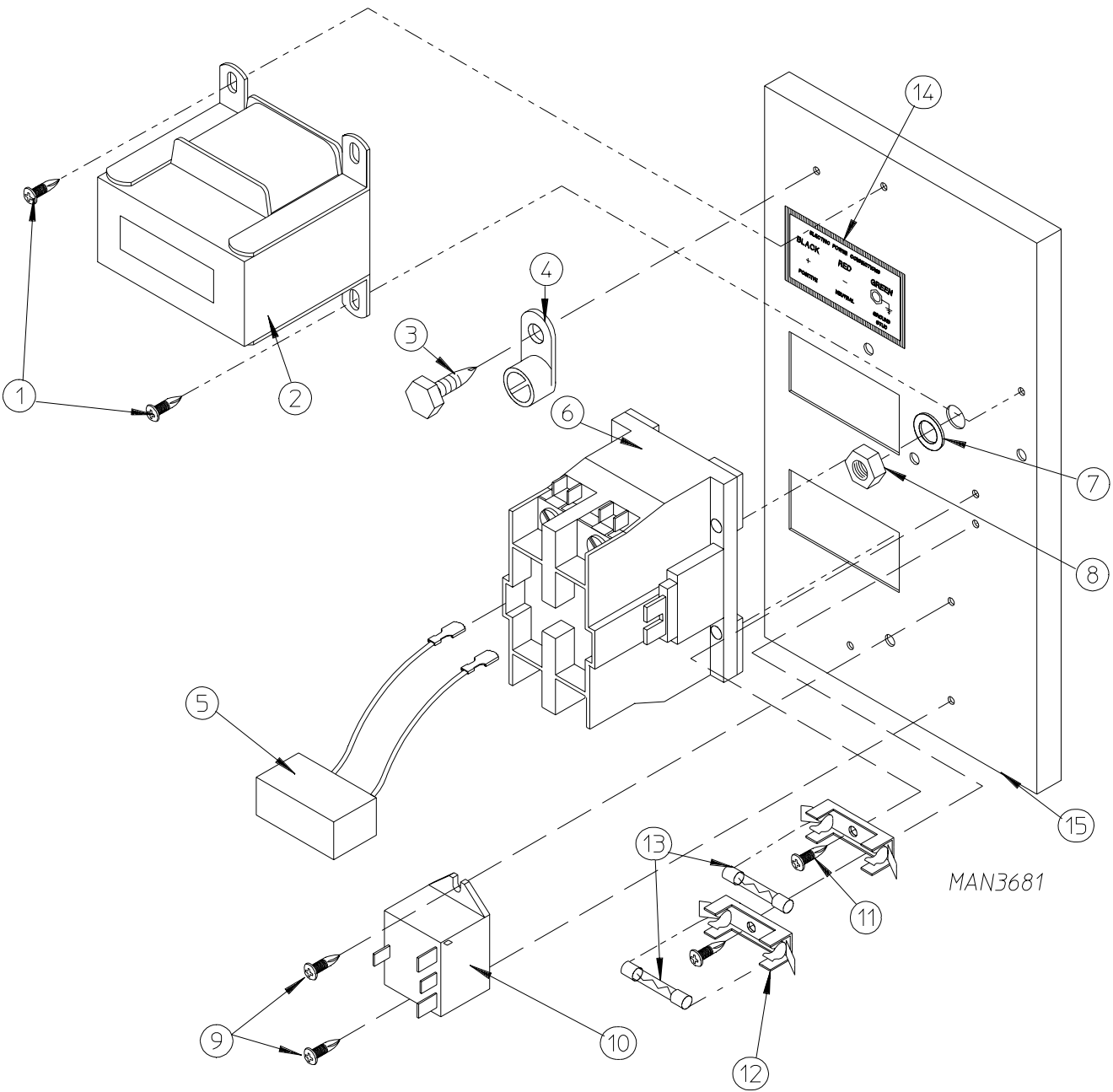


| <u>Illus. No.</u> | <u>Part No.</u> | <u>Qty.</u> | <u>Description</u>  |
|-------------------|-----------------|-------------|---|
| 1                 | 154004          | 1           | Twin Speed Nut  |
| 2                 | 150309          | 2           | #10-16 x 1/2" Hex Head TEK Crimptite Screw  |
| 3                 | 802799          | 1           | Sail Switch Box Cover and Bracket ONLY  |
| 4                 | 150303          | 2           | #4 x 3/4" Pan Head "A" Machine Screw  |
| 5                 | 122200          | 1           | Sail Switch ONLY<br>(for Microprocessor [computer] Models Only)   |
|                   | 122404          | 1           | Sail Switch ONLY<br>(for Non-Microprocessor Models)   |
| 6                 | 105500          | 1           | Sail Switch Actuator Rod  |
| 7                 | 319202          | 1           | Sail Switch Damper (flat)   |
| 8                 | 154002          | 1           | 1/8" Push-on Fastener   |
| 9                 | 802800          | 1           | Sail Switch Box with Cover and Bracket ONLY   |
|                   | 802801          | 1           | Sail Switch Assembly Complete<br>For Microprocessor Models ONLY<br>(includes illus. nos. 1 through 8)     |
|                   | 882010          | 1           | Sail Switch Assembly Complete<br>For Non-Microprocessor Models ONLY<br>(includes illus. nos. 1 through 8) |
| 10                | 142809          | 1           | 1/2" x 29-1/8" Pipe   |
| 11                | 150309          | 2           | #10-16 x 1/2" Hex Head TEK Crimptite Screw  |
| 12                | 319704          | 1           | Hi-Limit Mounting Bracket ONLY  |
| 13                | 151000          | 2           | #6-32 Pal Nut   |
| 14                | 150001          | 2           | #6-32 x 1/2" Round Head Machine Screw   |
| 15                | 130401          | 1           | 330° Hi-Limit ONLY  |
| 16                | 143000          | 1           | 1/2" x 3/4" Reducing Coupling   |



MAN2451

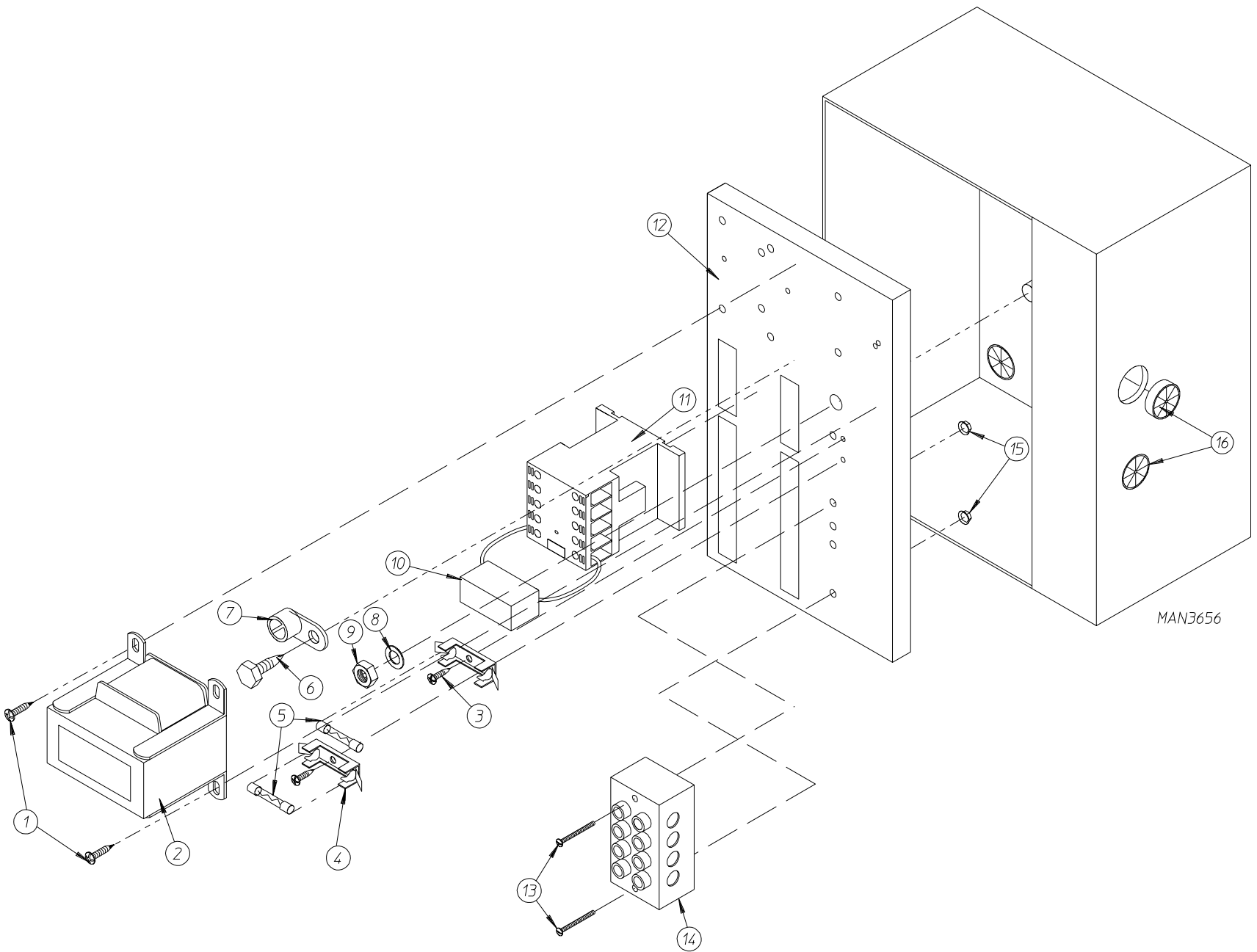
| <u>Illus. No.</u> | <u>Part No.</u> | <u>Qty.</u> | <u>Description</u>  |
|-------------------|-----------------|-------------|---|
| 1                 | 165011          | 1           | Steam Coil Assembly   |
| 2                 | 153002          | 6           | 5/16" Lock Washer   |
| 3                 | 152004          | 6           | 5/16-18 Hex Nut   |
| 4                 | 152002          | 4           | 1/4-20 Hex Nut  |
| 5                 | 153007          | 4           | 1/4" Lock Washer  |
| 6                 | 820321          | 2           | Steam Damper Hinge Assembly                                   |
| 7                 | 803416          | 1           | Steam Damper Assembly<br>(includes illus. nos. 7, 10, and 11) |
| 8                 | 153007          | 4           | 1/4" Lock Washer  |
| 9                 | 152002          | 4           | 1/4-20 Hex Nut  |
| 10                | 115995          | 66          | Steam Damper Gasket (sold by the inch)                        |
| 11                | 102350          | 1           | Steam Damper Foam (68-1/2" length)                            |
| 12                | 151006          | 1           | 5/16-24 Stainless Steel Acorn Nut                             |
| 13                | 152051          | 1           | 5/16-24 Right Hand Jam Nut                                    |
| 14                | 100497          | 1           | 1-1/4" Bore x 3" Stroke Piston                                |
| 15                | 100492          | 2           | Piston Support Bracket  |
| 16                | 152002          | 2           | 1/4-20 Hex Nut  |
| 17                | 153007          | 2           | 1/4" Lock Washer  |
| 18                | 100472          | 1           | 1/4" Poly x 1/8" M.P.T. Connector                             |
| 19                | 143110          | 1           | 1/4" Poly Flow Tubing (sold by the foot)                      |
| 20                | 100472          | 1           | 1/4" Poly x 1/8" M.P.T. Connector                             |
| 21                | 100496          | 1           | 1/8" Needle Valve   |
| 22                | 143238          | 1           | 1/8" Close Nipple   |
| 23                | 100498          | 1           | 3-Way Micro Valve - 24 VAC                                    |
| 24                | 150002          | 2           | #6-32 x 1" Slotted Machine Screw                              |
| 25                | 153010          | 2           | #6 Star Washer  |
| 26                | 152000          | 2           | #6-32 Hex Nut   |
| 27                | 330987          | 1           | Micro Valve Support Bracket                                   |
| 28                | 152002          | 2           | 1/4-20 Hex Nut  |
| 29                | 153007          | 2           | 1/4" Lock Washer  |
| 30                | 100520          | 1           | 1/8" N.P.T. Silencer (muffler)                                |



MAN3681

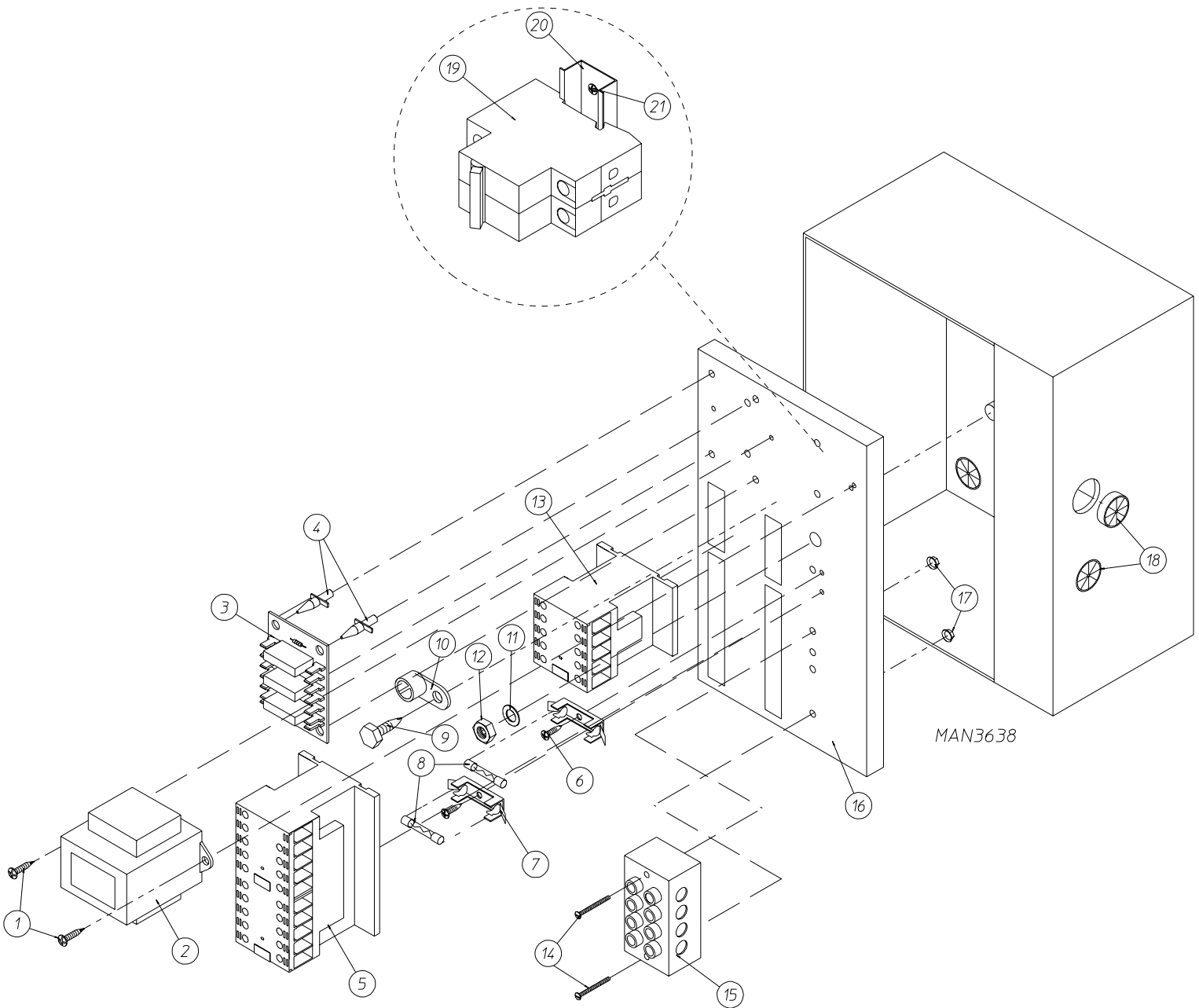
| <u>Illus. No.</u> | <u>Part No.</u> | <u>Qty.</u> | <u>Description</u>   |
|-------------------|-----------------|-------------|--|
| 1                 | 150301          | 2           | #8-18 x 7/16" Phillips Pan Head TEK Screw  |
| 2                 | -----           | 1           | 24 VAC Transformer<br>(refer to <b>Step Down Transformer Usage Listing</b> on <b>page 46</b> ) |
| 3                 | 150247          | 1           | #10 x 1/2" Hex Washer TEK Screw - Green  |
| 4                 | 121010          | 1           | L-70 Ground Lug  |
| 5                 | 824828          | 1           | RC Network with Connectors<br>(for Microprocessor [computer] Models Only)                      |
| 6                 | 132451          | 1           | Double Pole Contactor - 24 VAC   |
| 7                 | 153002          | 1           | 5/16" Lock Washer  |
| 8                 | 152004          | 1           | 5/16-18 Hex Nut  |
| 9                 | 150301          | 2           | #8-18 x 7/16" Phillips Pan Head TEK Screw  |
| 10                | 131814          | 1           | Motor Control Relay<br>(for <u>120 volt models Only</u> )                                      |
|                   | 131815          | 1           | Motor Control Relay<br>(for <u>208/240 volt models Only</u> )                                  |
| 11                | 150301          | *           | #8-18 x 7/16" Phillips Pan Head TEK Screw  |
| 12                | 136008          | *           | Fuse Holder ONLY   |
| 13                | 136057          | *           | 1/2-Amp (Slo Blo) Fuse   |
| 14                | 112039          | 1           | "Black/Red/Green Ground" Label<br>(for <u>120 volt models Only</u> )                           |
|                   | 112035          | 1           | "Black/Red/Green Ground" Label<br>(for <u>208/240 volt models Only</u> )                       |
| 15                | 306304          | 1           | Rear Electric Relay Panel ONLY   |

\* As required.



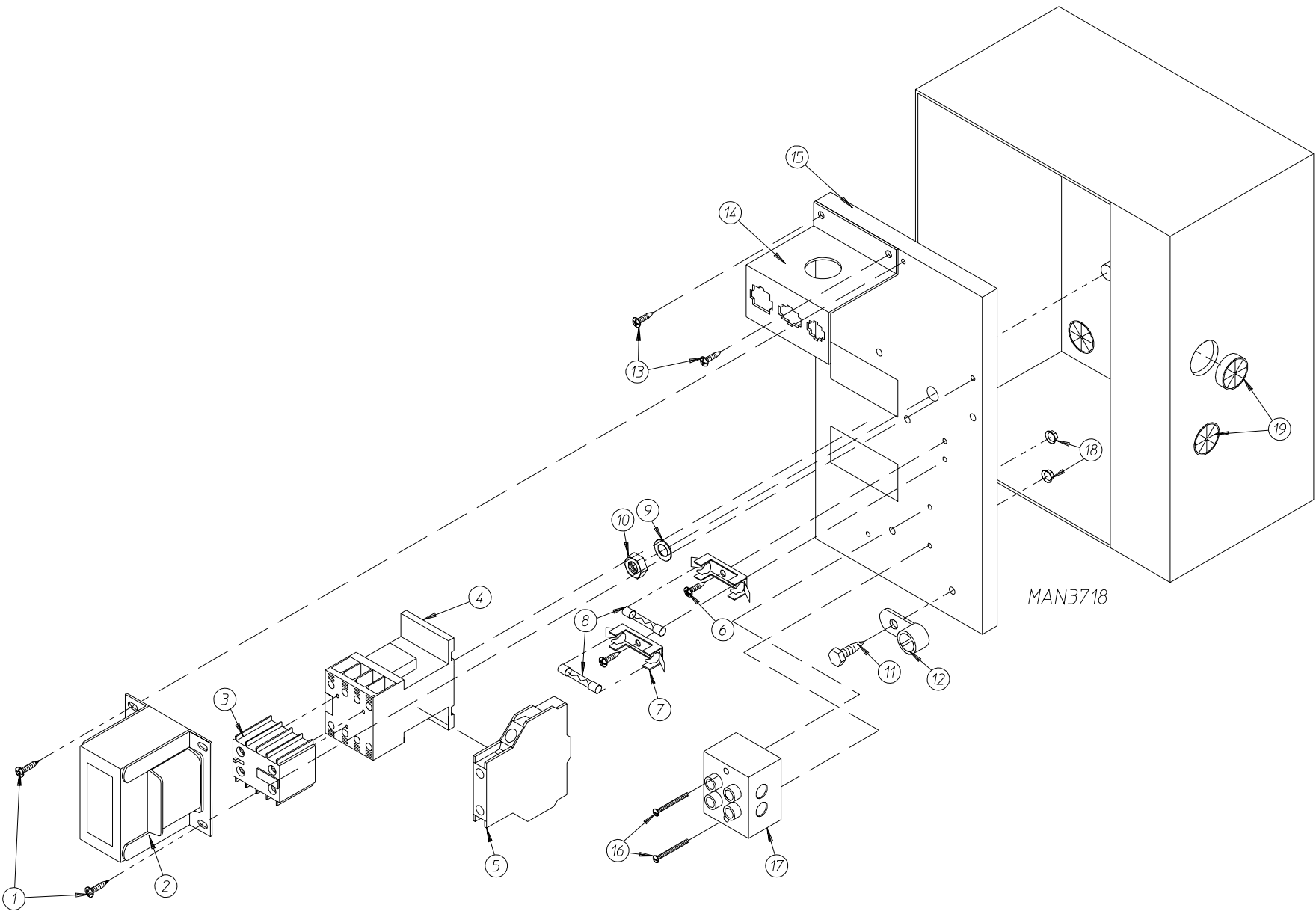
| <u>Illus. No.</u> | <u>Part No.</u> | <u>Qty.</u> | <u>Description</u>   |
|-------------------|-----------------|-------------|--|
| 1                 | 150300          | 2           | #10 x 1/2" Hex Washer TEK Screw  |
| 2                 | -----           | 1           | 24 VAC Transformer<br>(refer to <b>Step Down Transformer Usage Listing</b> on <b>page 46</b> )   |
| 3                 | 150301          | *           | #8-18 x 7/16" Phillips Pan Head TEK Screw  |
| 4                 | 136008          | *           | Fuse Holder ONLY   |
| 5                 | 136057          | *           | 1/2-Amp (Slo Blo) Fuse   |
| 6                 | 150297          | 1           | #10 x 1/2" Hex Washer TEK Screw - Green  |
| 7                 | 121010          | 1           | L-70 Ground Lug  |
| 8                 | 153002          | 1           | 5/16" Lock Washer  |
| 9                 | 152004          | 1           | 5/16-18 Hex Nut  |
| 10                | 137015          | 1           | RC Network   |
| 11                | 132447          | 1           | 3-Pole Contactor - 24 VAC  |
| 12                | 322812          | 1           | Electric Relay Panel ONLY  |
|                   | 881800          | 1           | <u>208/240 Volt</u> - 3 $\phi$ Non-Reversing Electric Relay Panel Assembly Complete<br>(includes illus. nos. 1 through 11, 13, and 15)<br>For use on Gas Models ONLY |
| 13                | 150008          | 2           | #6-32 x 1-1/4" Phillips Round Head Machine Screw   |
| 14                | 120701          | 1           | 4-Position Terminal Block  |
| 15                | 151000          | 2           | #6-32 Pal Nut  |
| 16                | 121300          | 3           | Open/Closed Bushing  |

\* As required.



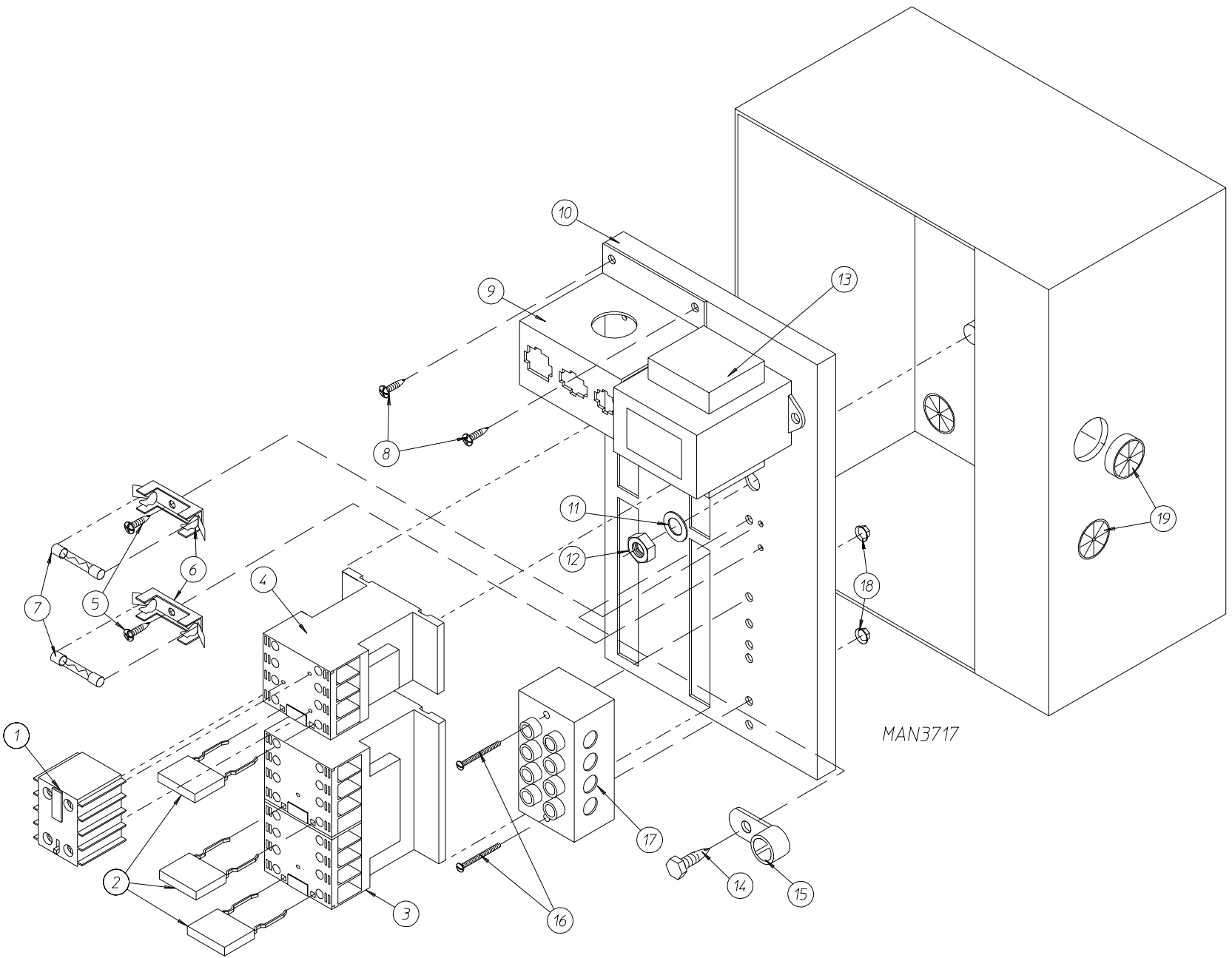


| <u>Illus. No.</u> | <u>Part No.</u> | <u>Qty.</u> | <u>Description</u>   |
|-------------------|-----------------|-------------|--|
| 1                 | 150300          | 2           | #10 x 1/2" Hex Washer TEK Screw  |
| 2                 | -----           | 1           | 24 VAC Transformer<br>(refer to <b>Step Down Transformer Usage Listing</b> on <b>page 46</b> )   |
| 3                 | 137060          | 1           | Arc Suppressor (A.S.) Board  |
| 4                 | 137013          | 4           | Nylon Standoff   |
| 5                 | 132448          | 1           | Reversing Contactor - 24 VAC<br>(for <u>208-230/240/380/460 volt models Only</u> )   |
| 6                 | 150301          | 2           | #8-18 x 7/16" Phillips Pan Head TEK Screw  |
| 7                 | 136008          | 2           | Fuse Holder ONLY<br>(for <u>208-230/240 volt models Only</u> )   |
| 8                 | 136057          | 2           | 1/2-Amp (Slo Blo) Fuse<br>(for <u>208-230/240 volt models Only</u> )   |
| 9                 | 150297          | 1           | #10 x 1/2" Hex Washer TEK Screw - Green  |
| 10                | 121010          | 1           | L-70 Ground Lug  |
| 11                | 153002          | 1           | 5/16" Lock Washer  |
| 12                | 152004          | 1           | 5/16-18 Hex Nut  |
| 13                | 132447          | 1           | 3-Pole Contactor - 24 VAC  |
| 14                | 150008          | 2           | #6-32 x 1-1/4" Phillips Round Head Machine Screw   |
| 15                | 120701          | 1           | 4-Position Terminal Block  |
| 16                | 322812          | 1           | Electric Relay Panel ONLY  |
|                   | 881764          | 1           | <u>208-230/240 Volt</u> Reversing Electric Relay Panel Assembly Complete<br>(includes illus. nos. 1 through 11, 13 through 17, 19, 20, and 21)<br>For use on Gas Models ONLY   |
|                   | 881766          | 1           | <u>380/416 Volt</u> Reversing Electric Relay Panel Assembly Complete<br>(includes illus. nos. 1 through 11, 13 through 17, 19, 20, and 21)<br>For use on Gas Models ONLY       |
|                   | 881719          | 1           | <u>460 Volt</u> Reversing Electric Relay Panel Assembly Complete<br>(includes illus. nos. 1 through 11, 13 through 17, 19, 20, and 21)<br>For use on Gas Models ONLY           |
|                   | 881755          | 1           | <u>208-230/240 Volt</u> Reversing Electric Relay Panel Assembly Complete<br>(includes illus. nos. 1 through 11, 13 through 17, 19, 20, and 21)<br>For use on Steam Models ONLY |
|                   | 881765          | 1           | <u>380/416 Volt</u> Reversing Electric Relay Panel Assembly Complete<br>(includes illus. nos. 1 through 11, 13 through 17, 19, 20, and 21)<br>For use on Steam Models ONLY     |
| 17                | 151000          | 2           | #6-32 Pal Nut  |
| 18                | 121300          | 3           | Open/Closed Bushing  |
| 19                | 135501          | 1           | 1-Amp Double Pole Circuit Breaker<br>(for <u>460/480 volt models Only</u> )  |
| 20                | 120768          | 2           | Din Mounting Rail (sold by the inch)<br>For <u>460/480 volt models ONLY</u>  |
| 21                | 150300          | 2           | #10 x 1/2" Hex Washer TEK Screw<br>(for <u>460/480 volt models Only</u> )  |



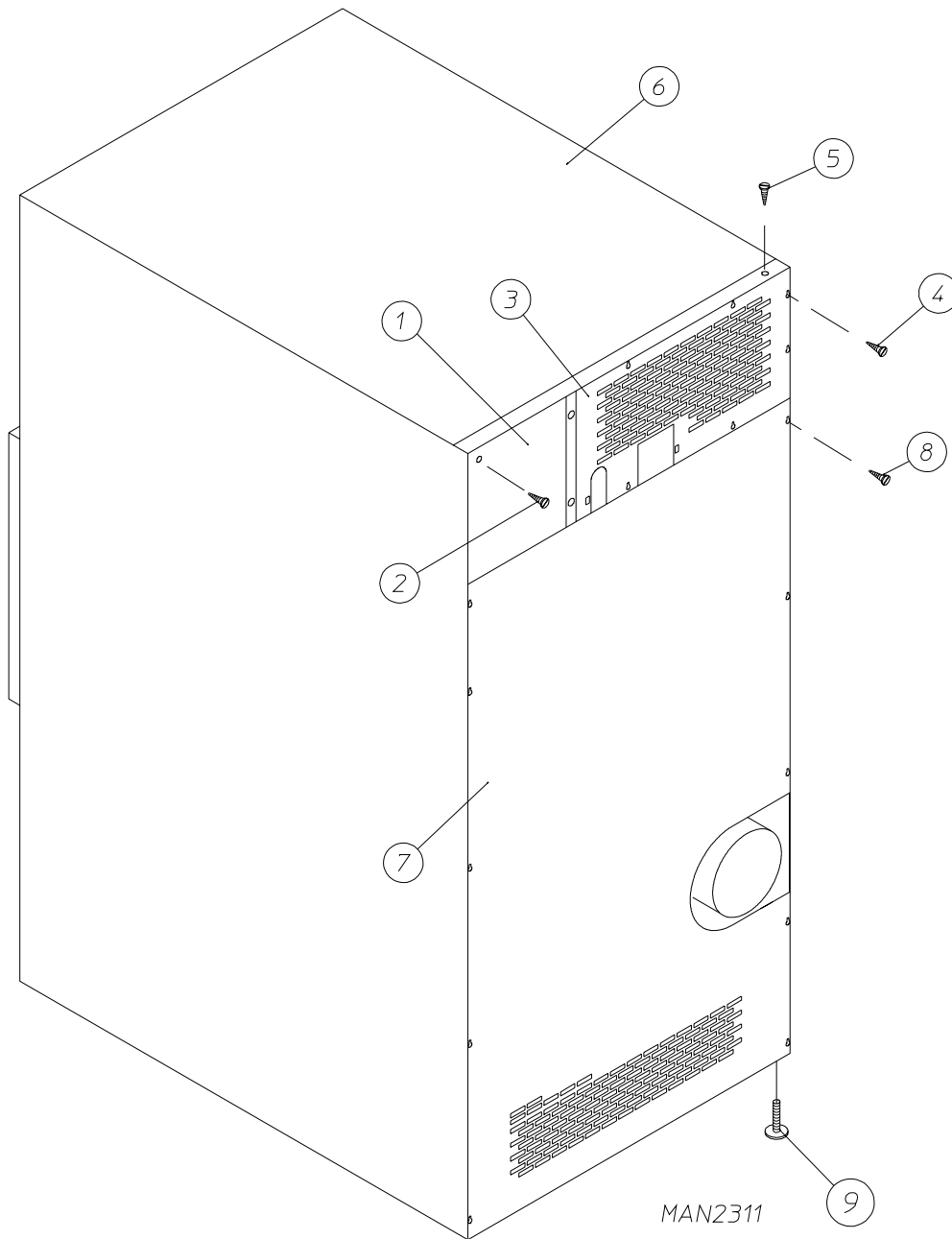
| <u>Illus. No.</u> | <u>Part No.</u> | <u>Qty.</u> | <u>Description</u>   |
|-------------------|-----------------|-------------|--|
| 1                 | 150300          | 2           | #10 x 1/2" Hex Washer TEK Screw  |
| 2                 | -----           | 1           | 24 VAC Transformer<br>(refer to <b>Step Down Transformer Usage Listing</b> on <b>page 46</b> ) |
| 3                 | 132449          | 1           | 2-Pole Contact Block<br>(for <u>208-240 volt models Only</u> )                                 |
| 4                 | 132445          | 1           | 3-Pole Contactor<br>(for <u>120 volt models Only</u> )   |
|                   | 132447          | 1           | 3-Pole Contactor<br>(for <u>208-240 volt models Only</u> )                                     |
| 5                 | 132383          | 1           | 2-Pole Contact Block<br>(for <u>120 volt models Only</u> )                                     |
| 6                 | 150301          | *           | #8-18 x 7/16" Phillips Pan Head TEK Screw  |
| 7                 | 136008          | *           | Fuse Holder ONLY   |
| 8                 | 136057          | *           | 1/2-Amp (Slo Blo) Fuse   |
| 9                 | 153002          | 1           | 5/16" Lock Washer  |
| 10                | 152004          | 1           | 5/16-18 Hex Nut  |
| 11                | 150297          | 1           | #10 x 1/2" Hex Washer TEK Screw - Green  |
| 12                | 121010          | 1           | L-70 Ground Lug  |
| 13                | 150300          | 2           | #10 x 1/2" Hex Washer TEK Screw  |
| 14                | 353258          | 1           | Rear Panel Connector Bracket   |
| 15                | 306304          | 1           | Rear Electric Mounting Panel ONLY  |
| 16                | 150008          | 2           | #6-32 x 1-1/4" Phillips Round Head Machine Screw   |
| 17                | 120716          | 1           | 2-Position Terminal Block  |
| 18                | 151000          | 2           | #6-32 Pal Nut  |
| 19                | 121300          | 3           | Open/Closed Bushing  |

\* As required.



---

| <u>Illus. No.</u> | <u>Part No.</u> | <u>Qty.</u> | <u>Description</u>   |
|-------------------|-----------------|-------------|--|
| 1                 | 132449          | 1           | 2-Pole Contact Block   |
| 2                 | 132422          | 3           | 12 - 24 Volt Varistor  |
| 3                 | 132448          | 1           | Reversing Contactor with 24 VAC Coil   |
| 4                 | 132447          | 1           | Blower Motor Contactor   |
| 5                 | 150301          | 2           | #8-18 x 7/16" Phillips Pan Head TEK Screw  |
| 6                 | 136008          | 2           | Fuse Holder ONLY   |
| 7                 | 136057          | 2           | 1/2-Amp (Slo Blo) Fuse   |
| 8                 | 150300          | 2           | #10 x 1/2" Hex Washer TEK Screw  |
| 9                 | 353258          | 1           | Rear Panel Connector Bracket   |
| 10                | 306304          | 1           | Rear Electric Mounting Panel ONLY  |
| 11                | 153002          | 1           | 5/16" Lock Washer  |
| 12                | 152004          | 1           | 5/16-18 Hex Nut  |
| 13                | -----           | 1           | 24 VAC Transformer<br>(refer to <b>Step Down Transformer Usage Listing</b> on <b>page 46</b> ) |
| 14                | 150297          | 1           | #10 x 1/2" Hex Washer TEK Screw - Green  |
| 15                | 121010          | 1           | L-70 Ground Lug  |
| 16                | 150009          | 2           | #6-32 x 1-1/2" Phillips Round Head Machine Screw   |
| 17                | 120701          | 1           | 4-Position Terminal Block  |
| 18                | 151000          | 2           | #6-32 Pal Nut  |
| 19                | 121300          | 3           | Open/Closed Bushing  |



| <u>Illus. No.</u> | <u>Part No.</u> | <u>Qty.</u> | <u>Description</u>   |
|-------------------|-----------------|-------------|--|
| 1                 | 322809          | 1           | Back Electrical Box Cover  |
| 2                 | 150301          | 4           | #8-18 x 7/16" Phillips Pan Head TEK Screw  |
| 3                 | 314414          | 1           | Top Back Guard   |
| 4                 | 150301          | 7           | #8-18 x 7/16" Phillips Pan Head TEK Screw  |
| 5                 | 150301          | 10          | #8-18 x 7/16" Phillips Pan Head TEK Screw  |
| 6                 | 312534          | 1           | Outer Top<br><i>(NO OUTER TOP on Gas Heat Reclaimer Models and Steam Models)</i> |
| 7                 | 314518          | 1           | Lower Back Guard   |
| 8                 | 150301          | 13          | #8-18 x 7/16" Phillips Pan Head TEK Screw  |
| 9                 | 103500          | 4           | Leveling Leg   |

| <b>HSI Burner Orifice Listing*</b> |                       |             |                    |          |                 |          |
|------------------------------------|-----------------------|-------------|--------------------|----------|-----------------|----------|
| <b>Model Number</b>                | <b>Heat Reclaimer</b> | <b>Qty.</b> | <b>Natural Gas</b> |          | <b>L.P. Gas</b> |          |
|                                    |                       |             | D.M.S.             | Part No. | D.M.S.          | Part No. |
| ML-55                              | No                    | 3           | #29                | 140820   | #48             | 140804   |
| ML-55HR                            | Yes                   | 2           | #23                | 140856   | #42             | 140810   |

\* Consult factory for elevations over 2,000 feet.

| <b>HSI Burner Assembly Listing</b><br><i>(for Microprocessor [computer] Models Only)</i> |                      |                       |                                |                             |
|--|----------------------|-----------------------|--------------------------------|-----------------------------|
| <b>Model Number</b>  | <b>Btu/hr Rating</b> | <b>Heat Reclaimer</b> | <b>Natural Gas Part Number</b> | <b>L.P. Gas Part Number</b> |
| ML-55  | 160,000              | No                    | 881866                         | 881867                      |
| ML-55HR  | 140,000              | Yes                   | N/A*                           | N/A*                        |

\* Part numbers *not available* at time of printing.

**NOTES:** 1. Burner assemblies **do not** include burner orifices. They **must be** ordered separately.

2. When ordering burner assemblies, specify model number and if computer or non-computer controls.

| <b>HSI Burner Assembly Listing</b><br><i>(for Non-Microprocessor Models)</i> |                      |                       |                                |                             |
|--|----------------------|-----------------------|--------------------------------|-----------------------------|
| <b>Model Number</b>  | <b>Btu/hr Rating</b> | <b>Heat Reclaimer</b> | <b>Natural Gas Part Number</b> | <b>L.P. Gas Part Number</b> |
| ML-55  | 160,000              | No                    | 881989                         | 881990                      |

**NOTES:** 1. Burner assemblies **do not** include burner orifices. They **must be** ordered separately.

2. When ordering burner assemblies, specify model number and if computer or non-computer controls.

| <b>HSI L.P. Conversion Kit Listing*</b> |                             |
|---|-----------------------------|
| <b>Model Number</b>                     | <b>L.P. Kit Part Number</b> |
| ML-55                                   | 881598                      |
| ML-55HR                                 | 881600                      |

\* Consult factory for elevations over 2,000 feet.

for Microprocessor (computer) Models ONLY

| <b>STEP DOWN TRANSFORMER USAGE LISTING</b> |                     |                     |              |                 |
|--|---------------------|---------------------|--------------|-----------------|
| <b>VOLTAGE</b>                             | <b>WIRE SERVICE</b> | <b>ADC PART No.</b> |              |                 |
|  |                     | <b>GAS</b>          | <b>STEAM</b> | <b>ELECTRIC</b> |
| 120  | 2                   | 132070              | 132083       | 132070          |
| 208  | 3 or 4              | 132082              | 132082       | 132071          |
| 240/380                                    | 3                   | 132082              | 132082       | 132072          |
| 380  | 4                   | 132082              | 132082       | 132082          |
| 416  | 3                   | 132082              | 132082       | 132082          |
| 416  | 4                   | 132067              | -----        | -----           |
| 460/480                                    | 3                   | 132067              | -----        | -----           |
| 460/480                                    | 4                   | 132070              | -----        | -----           |

**NOTE:** Each transformer requires one (1) Transformer Termination Kit (ADC Part No. 881763).



---

| <u>Part No.</u> | <u>Description</u>                                 |
|-----------------|--|
| 112039          | “Black/White/Green Ground” Label                   |
| 112280          | “Clean Lint Screen” Label                          |
| 112284          | “Phase 6 OPL Program Location Summary” Label       |
| 114001          | “CAUTION - Exhaust Lint Screen” Label              |
| 114006          | “WARNING - Fire Hazards” Label                     |
| 120100          | 3/8” Straight (BX) Connector                       |
| 120300          | 3/8” x 45° (BX) Connector                          |
| 120400          | 3/8” Red Jacket (BX) Insulator                     |
| 120500          | 3/8” Jiffy Clip (BX retainer clip)                 |
| 120600          | 3/8” Greenfield (BX)                               |
| 120800          | 1/4” In-Line Connector                             |
| 120802          | Red Butt Connector                                 |
| 120902          | #74B Wire Nut                                      |
| 120903          | Crimp-On Wire Nut                                  |
| 121014          | 1/4” Insulated (female) Terminal                   |
| 121499          | 4” Harness Tie                                     |
| 121500          | 7” Harness Tie                                     |
| 121503          | Harness Tie Mounting Clip                          |
| 122804          | Manometer (hydro gauge) for Measuring Gas Pressure |
| 404502          | White Brush-In-Cap Bottle Touch-Up Paint           |
| 404507          | Cornflower Blue Brush-In-Cap Bottle Touch-Up Paint |
| 404513          | Wrinkle Blue Brush-In-Cap Bottle Touch-Up Paint    |
| 880200          | Electrical Terminal (assortment) Kit               |
| 880884          | Basket (tumbler) Bearing Puller                    |

ADC450172 1- 05/28/98-50 2\* 04/07/00-10 3\* 09/01/00-25



## Free Manuals Download Website

<http://myh66.com>

<http://usermanuals.us>

<http://www.somanuals.com>

<http://www.4manuals.cc>

<http://www.manual-lib.com>

<http://www.404manual.com>

<http://www.luxmanual.com>

<http://aubethermostatmanual.com>

Golf course search by state

<http://golfingnear.com>

Email search by domain

<http://emailbydomain.com>

Auto manuals search

<http://auto.somanuals.com>

TV manuals search

<http://tv.somanuals.com>