

ASUS[®] P/I-P55T2P4
Pentium Motherboard

USER'S MANUAL

USER'S NOTICE

No part of this product, including the product and software may be reproduced, transmitted, transcribed, stored in a retrieval system, or translated into any language in any form by any means without the express written permission of ASUSTeK COMPUTER INC. (hereinafter referred to as ASUS) except documentation kept by the purchaser for backup purposes.

Specifications are subject to change without notice. ASUS provides this manual "as is" without warranty of any kind, either express or implied, including but not limited to the implied warranties or conditions of merchantability or fitness for a particular purpose. In no event shall ASUS be liable for any loss or profits, loss of business, loss of use or data, interruption of business, or for indirect, special, incidental, or consequential damages of any kind, even if ASUS has been advised of the possibility of such damages arising from any defect or error in this manual or product. ASUS may revise this manual from time to time without notice.

Products mentioned in this manual are mentioned for identification purposes only. Product names appearing in this manual may or may not be registered trademarks or copyrights of their respective companies.

- Intel, LANDesk, and Pentium are registered trademarks of Intel Corporation.
- IBM is a registered trademark of International Business Machines Corp.
- Symbios is a registered trademark of Symbios Logic Corporation.
- Windows and MS-DOS are registered trademarks of Microsoft Corporation.
- Sound Blaster AWE32 and SB16 are trademarks of Creative Technology Ltd.
- Adobe and Acrobat are registered trademarks of Adobe Systems Incorporated.

The product name and revision number are both printed on the board itself. Manual revisions are released for each board design represented by the digit before and after the period of the manual revision number. Manual updates are represented by the third digit in the manual revision number. For previous or updated manuals, BIOS, drivers, or product release information you may visit the ASUS home page at <http://www.asus.com.tw/> or contact ASUS from the following page.

© Copyright 1997 ASUSTeK COMPUTER INC. All rights reserved.

Product Name:	ASUS P/I-P55T2P4
Manual Revision:	3.11
Release Date:	May 1997

ASUS CONTACT INFORMATION

ASUSTeK COMPUTER INC.

Marketing Info:

Address: 150 Li-Te Road, Peitou, Taipei, Taiwan, ROC

Telephone: 886-2-894-3447

Fax: 886-2-894-3449

Email: info@asus.com.tw

Technical Support:

Fax: 886-2-895-9254

BBS: 886-2-896-4667

Email: tsd@asus.com.tw

WWW: <http://www.asus.com.tw/>

Gopher: <gopher.asus.com.tw>

FTP: <ftp.asus.com.tw/pub/ASUS>

ASUS COMPUTER INTERNATIONAL

Marketing Info:

Address: 721 Charcot Avenue, San Jose, CA 95131, USA

Telephone: 1-408-474-0567

Fax: 1-408-474-0568

Email: info-usa@asus.com.tw

Technical Support:

BBS: 1-408-474-0555

Email: tsd-usa@asus.com.tw

ASUS COMPUTER GmbH

Marketing Info:

Address: Harkort Str. 25, 40880 Ratingen, BRD, Germany

Telephone: 49-2102-445011

Fax: 49-2102-442066

Email: info-ger@asus.com.tw

Technical Support:

BBS: 49-2102-448690

Email: tsd-ger@asus.com.tw

CONTENTS

I. INTRODUCTION	1
How this manual is organized	1
Item Checklist	1
II. FEATURES	2
Features of the ASUS Motherboard	2
Parts of the ASUS Motherboard	3
III. INSTALLATION	4
Map of the Motherboard	4
Installation Steps	6
1. Jumpers	6
Jumper Settings	7
Cyrix CPU Identification	11
2. System Memory (DRAM & SRAM)	12
TAG SRAM Upgrade:	12
DRAM Memory Installation Procedures:	13
Static RAM (SRAM) for Level 2 (External) Cache	14
Compatible Cache Modules for this Motherboard	14
3. Central Processing Unit (CPU)	15
4. Expansion Cards	16
Expansion Card Installation Procedure:	16
Assigning IRQs for Expansion Cards	16
Assigning DMA Channels for ISA Cards	17
ASUS MediaBus Card	18
5. External Connectors	19
Power Connection Procedures	25
IV. BIOS SOFTWARE	26
Support Software	26
Flash Memory Writer Utility	26
Main Menu	26
Advanced Features Menu	27
Updating your Motherboard's BIOS	28
6. BIOS Setup	29
Load Defaults	30
Standard CMOS Setup	30

CONTENTS

Details of Standard CMOS Setup:	31
BIOS Features Setup	34
Details of BIOS Features Setup:	34
Chipset Features Setup	37
Power Management Setup	40
Details of Power Management Setup:	40
PNP and PCI Setup	42
Load BIOS Defaults	44
Load Setup Defaults	44
Supervisor Password and User Password	45
IDE HDD Auto Detection	46
Save and Exit Setup	47
Exit Without Saving	47
V. DESKTOP MANAGEMENT	49
Desktop Management Interface (DMI)	49
Introducing the ASUS DMI Configuration Utility	49
System Requirements	49
Using the ASUS DMI Configuration Utility	50
Notes:	50
VI. ASUS PCI-SC200 SCSI Card	53
NCR SCSI BIOS and Drivers	53
The ASUS PCI-SC200 SCSI Interface Card	54
Setting Up the ASUS PCI-SC200	54
Setting the INT Assignment	55
Terminator Settings	55
SCSI ID Numbers	56
VII. ASUS I-A16C Audio Card	57
ASUS I-A16C Audio Features	57
Unpacking and Handling Precautions	57
Layout and Connectors	58
Connectors	58
CD-Audio Connector Pin Definitions	58
VIII. DOS 3.1 & Windows 3.1x Audio Software	
(with optional ASUS I-A16C Audio Card Bundle Only)	
IX. Windows 95 Audio Software	
(with optional ASUS I-A16C Audio Card Bundle Only)	

FCC & DOC COMPLIANCE

Federal Communications Commission Statement

This device complies with FCC Rules Part 15. Operation is subject to the following two conditions:

- This device may not cause harmful interference, and
- This device must accept any interference received, including interference that may cause undesired operation.

This equipment has been tested and found to comply with the limits for a Class B digital device, pursuant to Part 15 of the FCC Rules. These limits are designed to provide reasonable protection against harmful interference in a residential installation. This equipment generates, uses and can radiate radio frequency energy and, if not installed and used in accordance with manufacturer's instructions, may cause harmful interference to radio communications. However, there is no guarantee that interference will not occur in a particular installation. If this equipment does cause harmful interference to radio or television reception, which can be determined by turning the equipment off and on, the user is encouraged to try to correct the interference by one or more of the following measures:

- Re-orient or relocate the receiving antenna.
- Increase the separation between the equipment and receiver.
- Connect the equipment to an outlet on a circuit different from that to which the receiver is connected.
- Consult the dealer or an experienced radio/TV technician for help.

WARNING: The use of shielded cables for connection of the monitor to the graphics card is required to assure compliance with FCC regulations. Changes or modifications to this unit not expressly approved by the party responsible for compliance could void the user's authority to operate this equipment.

Canadian Department of Communications Statement

This digital apparatus does not exceed the Class B limits for radio noise emissions from digital apparatus set out in the Radio Interference Regulations of the Canadian Department of Communications.

I. INTRODUCTION

How this manual is organized

This manual is divided into the following sections:

- I. Introduction:** Manual information and checklist
- II. Features:** Information and specifications concerning this product
- III. Installation:** Instructions on setting up the motherboard.
- IV. BIOS Setup:** BIOS software setup information.
- V. Software:** Information on the included support software
- VI. ASUS SCSI:** Installation of an optional ASUS SCSI cards
- VII. ASUS I-A16C:** Installation of an optional 16-bit Audio card
- VIII. DOS/Win3.1x:** Audio Software Manual (with ASUS I-A16C bundle)
- IX. Windows 95:** Audio Software Manual (with ASUS I-A16C bundle)

Item Checklist

Please check that your package is complete. If you discover damaged or missing items, please contact your retailer.

- The ASUS P/I-P55T2P4 motherboard
- 2 serial port ribbon cables attached to a mounting bracket
- 1 parallel ribbon cable with mounting bracket
- 1 IDE ribbon cable
- 1 floppy ribbon cable
- Support drivers and utilities as follows:
 - Flash Memory Writer utility to update the FLASH BIOS
 - Desktop Management Interface (DMI) utility
 - Bus Master IDE Drivers for various operating systems
 - Audio drivers and utilities (included with ASUS I-A16C audio bundle only)
 - Readme files for descriptions and use of the files
 - Technical Support Form
- This user's manual (Audio sections included with ASUS I-A16C audio bundle)
- Optional infrared module
- Optional ASUS PCI-SC200 Fast-SCSI or PCI-SC860 Ultra-Fast SCSI card
- Optional ASUS I-A16C audio card
- Optional PS/2 mouse cable with mounting bracket
- Optional ASUS pipelined burst cache module

II. FEATURES

Features of the ASUS Motherboard

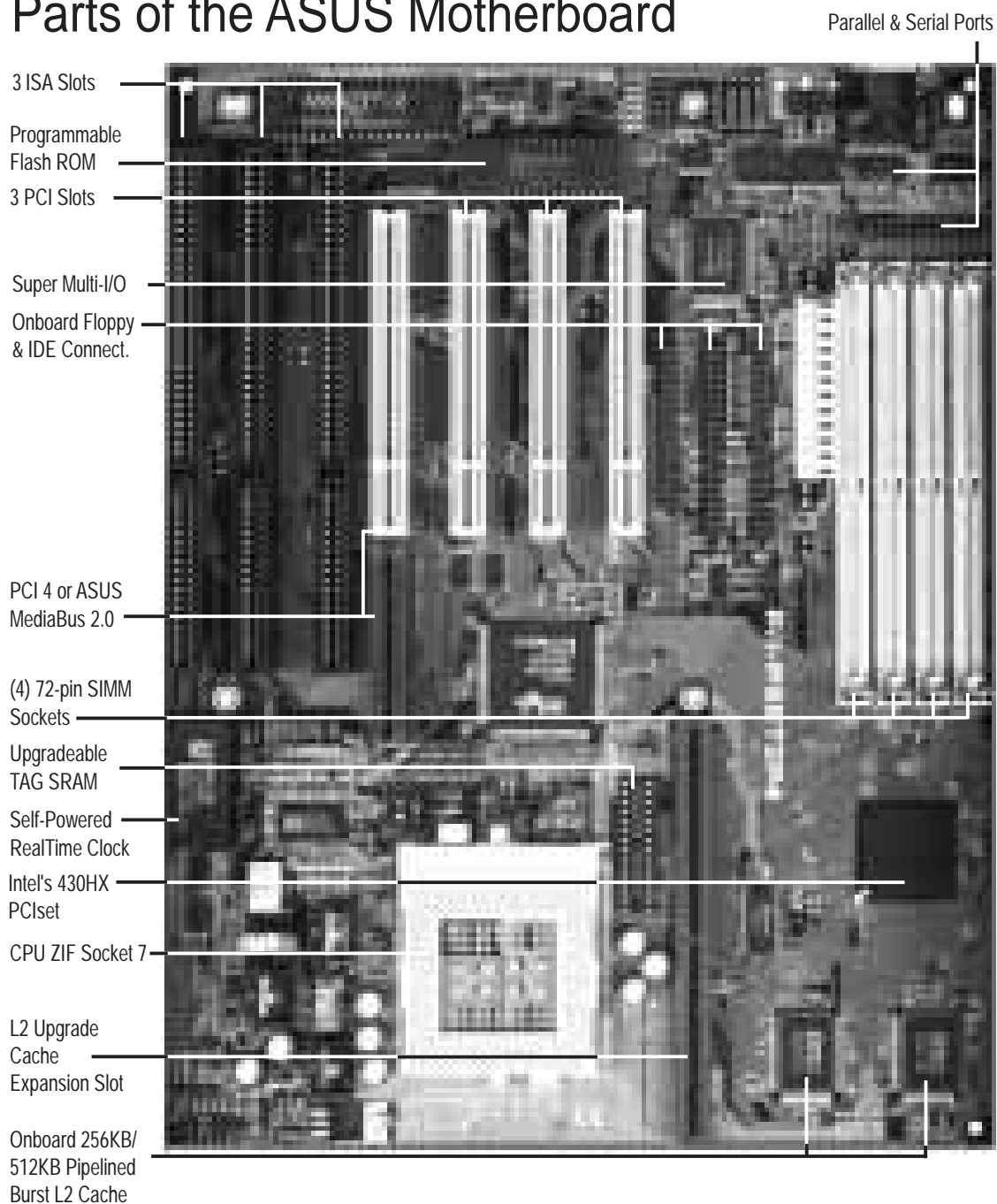
The ASUS P/I-P55T2P4 is carefully designed for the demanding PC user who wants a great many features in a small package. This motherboard:

- **Easy Installation:** Is equipped with BIOS that supports auto detection of hard drives and Plug and Play to make setup of hard drives and expansion cards virtually automatic.
- **Versatile Processor Support:** Intel Pentium® 75-233MHz (P55C-MMX™, P54C/P54CS), IBM®/Cyrix® 6x86-PR166+ (Rev 2.7 or later), IBM®/Cyrix® 6x86MX™ (PR166 & above), AMD-K5™ (PR75-PR133), AMD-K6™ (PR166-PR233).
- **Intel Chipset:** Features Intel's 430HX PCIset with I/O subsystems.
- **Error Checking and Correcting (ECC):** Using Intel's 430HX PCIset together with parity DRAM modules can detect multi-bit memory errors and correct 1-bit memory errors.
- **Desktop Management Interface (DMI):** Supports DMI through BIOS which allows hardware to communicate within a standard protocol creating a higher level of compatibility (see section V).
- **L2 Cache:** Provides the option of 0KB upgradeable to 256KB or 512KB, on-board 256KB upgradeable to 512KB, or 512KB onboard Pipelined Burst SRAM. Upgrades are made through a **Synchronous** SRAM cache module. **(See page 14 for compatible cache modules.)**
- **Versatile DRAM Memory Support:** Supports 72-pin SIMMs of 4MB, 8MB, 16MB, 32MB, or 64MB to form a memory size between 8MB to 256MB. Supports both Fast Page Mode (FPM) and Extended Data Output (EDO) SIMMs.
- **ISA and PCI Expansion Slots:** Provides three 16-bit ISA slots, three 32-bit PCI slots, and one PCI/MediaBus 2.0 which allows the use of either a standard PCI card or the ASUS MediaBus Card.
- **ASUS MediaBus Rev 2.0:** Features an expansion slot extension shared with PCI Slot 4 for an optional high-performance expansion card which includes two functions in one easy-to-install card. **(For revision compatibility information, please refer to page 18.)**
- **Super Multi-I/O:** Provides two high-speed UART compatible serial ports and one parallel port with EPP and ECP capabilities. UART2 can also be directed from COM2 to the Infrared Module for wireless connections. Two floppy drives of either 5.25" or 3.5" (1.44MB or 2.88MB) are also supported without an external card. **The Japanese "Floppy 3 mode" (3.5" 1.2MB) floppy standard is also supported.**

II. FEATURES

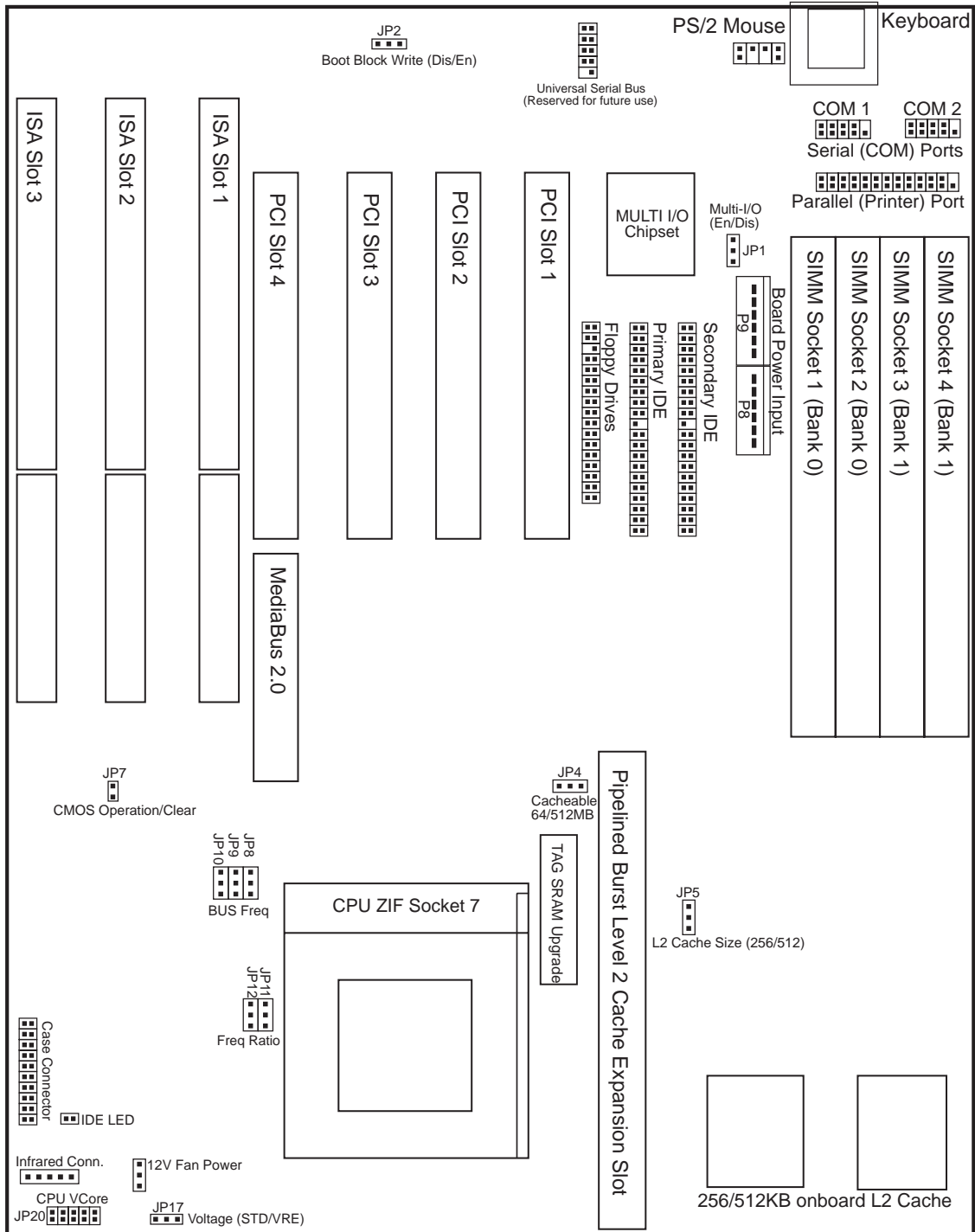
- **PCI Bus Master IDE Controller:** Comes with an onboard PCI Bus Master IDE controller with two connectors that supports four IDE devices in two channels, provides faster data transfer rates, and supports Enhanced IDE devices such as Tape Backup and CD-ROM drives. This controller supports PIO Modes 3 and 4 and Bus Master IDE DMA Mode 2. **BIOS supports IDE CD-ROM and SCSI bootup.**
- **Optional IrDA and PS/2 Mouse Connector:** This motherboard supports an optional infrared port module for wireless interface and a PS/2 mouse cable set.
- **NCR SCSI BIOS:** This motherboard has firmware that supports the optional ASUS PCI-SC200 SCSI controller cards.

Parts of the ASUS Motherboard



III. INSTALLATION

Map of the ASUS Motherboard



III. INSTALLATION
(Map of Board)

III. INSTALLATION

Jumpers

- | | | |
|-------------------|-------|---|
| 1) JP1 | p. 7 | Multi-I/O Selection (Enable/Disable) |
| 2) JP2 | p. 7 | Flash ROM Boot Block Program (Disable/Enable) |
| 3) JP5 | p. 8 | Total Level 2 Cache Size Setting (256/512KB) |
| 4) JP7 | p. 8 | Real Time Clock RAM (Operation/Clear Data) |
| 5) JP17 | p. 9 | Single Power Plane CPU Voltage Selection |
| 6) JP20 | p. 9 | Dual Power Plane CPU Voltage Selection |
| 7) JP8, JP9, JP10 | p. 10 | CPU External Clock (BUS) Frequency Selection |
| 8) JP11, JP12 | p. 10 | CPU:BUS Frequency Ratio |
| 9) JP4 | p. 11 | Memory Cacheable Size (64MB / 512MB) |

Expansion Slots

- | | | |
|----------------------|-------|--|
| 1) SIMM Sockets | p. 12 | DRAM Memory Expansion Sockets |
| 2) TAG SRAM | p. 12 | Upgrade socket for TAG SRAM |
| 3) Cache Expansion | p. 14 | Socket for Pipelined Burst SRAM Cache Module |
| 4) CPU ZIF Socket 7 | p. 15 | Socket for Central Processing Unit (CPU) |
| 5) ISA Slots 1, 2, 3 | p. 16 | 16-bit ISA Bus Expansion Slots |
| 6) PCI Slots 1, 2, 3 | p. 16 | 32-bit PCI Bus Expansion Slots |
| 7) PCI 4 / MediaBus | p. 18 | 32-bit PCI Bus Slot and MediaBus |

Connectors

- | | | |
|-------------------------|-------|--|
| 1) Keyboard | p. 19 | Keyboard Connector (5-pin Female) |
| 2) PS/2 Mouse | p. 19 | PS/2 Mouse Connector (6-pin Block) |
| 3) Parallel Port | p. 20 | Parallel Port Connector (26-pin Block) |
| 4) Serial Port | p. 20 | Serial Port COM1 & COM2 (10-pin Blocks) |
| 5) Floppy Drive | p. 21 | Floppy Drive Connector (34-pin Block) |
| 6) Power Input | p. 21 | Motherboard Power Connector (12-pin Block) |
| 7) Primary/Second. IDE | p. 22 | Primary/Secondary IDE Connectors (40-pin Blocks) |
| 8) IDE LED | p. 22 | IDE LED Activity Light |
| 9) Turbo/Power (CON1) | p. 23 | Turbo LED/Power LED (2-pins) |
| 10) SMI Switch (CON1) | p. 23 | SMI Switch Lead (2-pins) |
| 11) Reset Switch (CON1) | p. 23 | Reset Switch Lead (2-pins) |
| 12) Key Lock (CON1) | p. 23 | Keyboard Lock Switch Lead (5-pins) |
| 13) Speaker (CON1) | p. 23 | Speaker Connector (4-pins) |
| 14) FAN | p. 24 | CPU 12V Cooling Fan Connector |
| 15) IR CON | p. 24 | Infrared Port Module Connector |


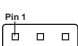




III. INSTALLATION

Installation Steps

Before using your computer, you must complete the following steps:

1. Set Jumpers on the Motherboard
2. Install DRAM and SRAM Modules
3. Install the Central Processing Unit (CPU)
4. Install Expansion Cards
5. Connect Ribbon Cables, Cabinet Wires, and Power Supply
6. Setup the BIOS Software

1. Jumpers

Several hardware settings are made through the use of jumper caps to connect jumper pins (JP) on the motherboard. See "Map of the Motherboard" on page 4 for locations of jumpers. The jumper settings will be described numerically such as [----], [1-2], [2-3] for no connection, connect pins 1&2, and connect pins 2&3 respectively. Pin 1 for our motherboards is always on top  or on the left  when holding the motherboard with the keyboard connector away from yourself. A "1" is written besides pin 1 on jumpers with three pins. The jumpers will also be shown graphically such as  to connect pins 1&2 and  to connect pins 2&3. Jumpers with two pins will be shown as  for Short (On) and  for Open (Off). For manufacturing simplicity, the jumpers may be sharing pins from other groups. Use the diagrams in this manual instead of following the pin layout on the board. Settings with two jumper numbers require that both jumpers be moved together. To connect the pins, simply place a plastic jumper cap over the two pins as diagramed.

WARNING: Computer motherboards and components contain very delicate Integrated Circuit (IC) chips. To protect the motherboard and other components against damage from static electricity, you should follow some precautions whenever you work on your computer.

1. Unplug your computer when working on the inside.
2. Hold components by the edges and try not to touch the IC chips, leads, or circuitry.
3. Use a grounded wrist strap before handling computer components.
4. Place components on a grounded antistatic pad or on the bag that came with the component whenever the components are separated from the system.

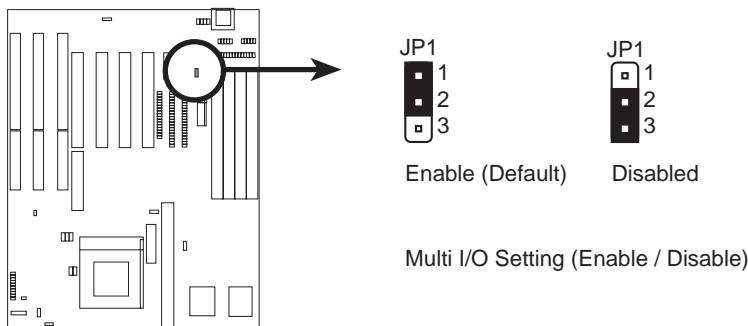
III. INSTALLATION

Jumper Settings

1. Onboard Multi-I/O Selection (JP1)

You can selectively disable each onboard Multi-I/O item (floppy, serial, parallel, and IrDA) through BIOS (see CHIPSET FEATURES SETUP) *or* disable all Multi-I/O items at once with the following jumper in order to use your own Multi-I/O card.

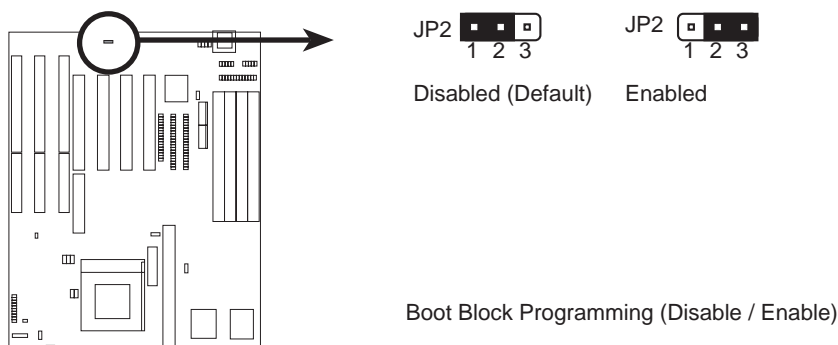
<u>Selections</u>	<u>JP1</u>
Enable	[1-2] (Default)
Disable	[2-3]



2. Flash ROM Boot Block Programming (JP2)

This sets the operation mode of the boot block area of the BIOS Flash ROM to allow programming in the *Enabled* position.

<u>Programming</u>	<u>JP2</u>
Disabled	[1-2] (Default)
Enabled	[2-3]

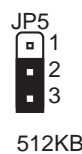
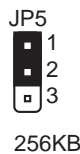
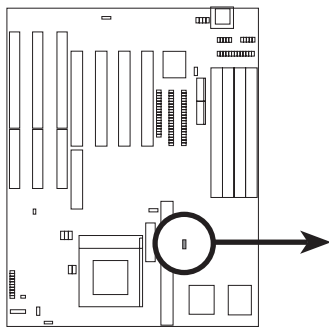


III. INSTALLATION

3. Total Level 2 Cache Size Setting (JP5)

This jumper sets the total amount of L2 cache that is present. If you have both onboard cache chips (see "Map of Motherboard" for locations) and a Cache Expansion Slot, then you have 256KB. If you only have onboard cache chips, then you have 512KB. An "ASUS" or "COAST" cache module can be used to upgrade the 256KB version to 512KB. If there is no onboard cache, you may install a cache module of either 256KB or 512KB. **IMPORTANT: See page 14 "SRAM Cache" for installation procedures.** Regardless of your cache combination, set the following jumpers according to the **total** amount of L2 cache that is present onboard and installed as a module.

<u>Selections</u>	<u>JP5</u>
256KB	[1-2]
512KB	[2-3]



Total L2 Cache Size Setting (256KB / 512KB)

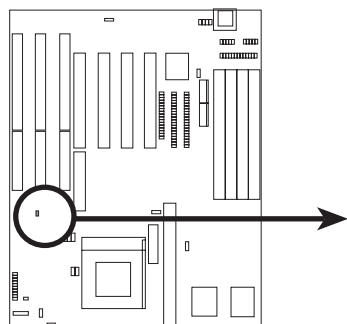
4. Real Time Clock (RTC) RAM (JP7)

This clears the user-entered information stored in the CMOS RAM of the Real Time Clock such as hard disk information and passwords. To clear the RTC data: (1) Turn off the PC, (2) Short this jumper, (3) Power on the PC, (4) Turn off the PC, (5) Remove this jumper, (6) Power on the PC, (7) Hold down <Delete> during bootup and enter BIOS setup to re-enter user preferences.

Selections JP7

Operation [open] (Default)

Clear Data [short] (momentarily)



Operation (Default)



Clear Data

RTC RAM (Operation / Clear Data)

III. INSTALLATION

5-6. Single/Dual Power Plane CPU Voltage Regulator Selections

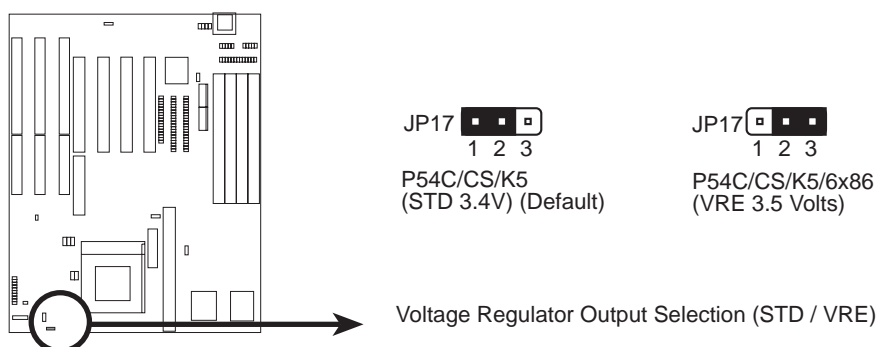
The following jumpers set the voltage supplied to the CPU. Determine whether your CPU has a **Single Power Plane** or **Dual Power Planes** and then the voltage that it uses. When a single power plane CPU is installed, the dual power plane selections will be automatically disabled. When a dual power plane CPU is installed, the single power plane selections will be automatically disabled. You may have one jumper on the **Single Power Plane** and another on the **Dual Power Planes** at the same time.

WARNING: Incorrect setting can damage your CPU. If you are not exactly clear on CPU jumper settings, check with your retailer.

5. Single Power Plane CPU Voltage Regulator Selection (JP17)

These jumpers set the voltage supplied to single power plane CPU's.

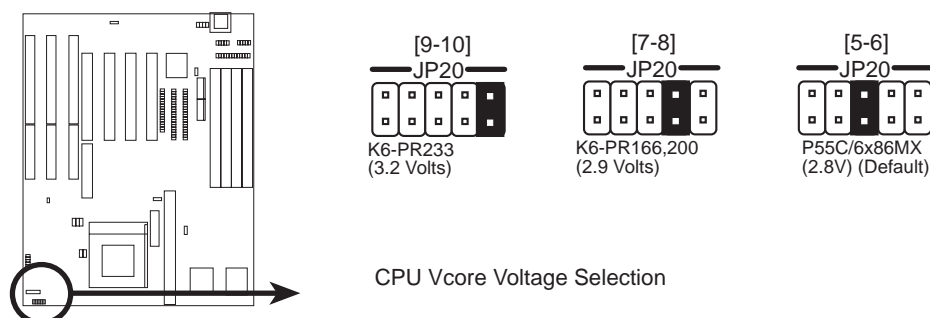
<u>CPU Manufacturer</u>	<u>CPU Type</u>	<u>Voltage</u>	<u>JP17</u>
Intel/AMD	P54C/CS/K5	STD (3.4 Volts)	[1-2] (Default)
Intel/AMD/IBM/Cyrix	P54C/CS/K5/6x86	VRE (3.5 Volts)	[2-3]



6. Dual Power Plane CPU Voltage Regulator Selection (JP20)

These jumpers set the voltage supplied to dual power plane CPU's.

<u>CPU Manufacturer</u>	<u>CPU Type</u>	<u>Voltage</u>	<u>JP20</u>
AMD	K6-PR233	3.2 Volts	[9-10]
AMD	K6-PR166,200	2.9 Volts	[7-8]
Intel/IBM/Cyrix	P55C/6x86MX	2.8 Volts	[5-6] (Default)
(Reserved)	(Reserved)	2.7 Volts	[3-4]
(Reserved)	(Reserved)	2.5 Volts	[1-2]



III. INSTALLATION
(Jumpers)

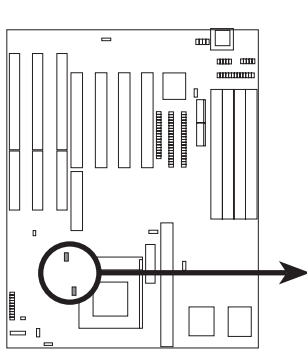
III. INSTALLATION

7. CPU External (BUS) Frequency Selection (JP8, JP9, JP10)

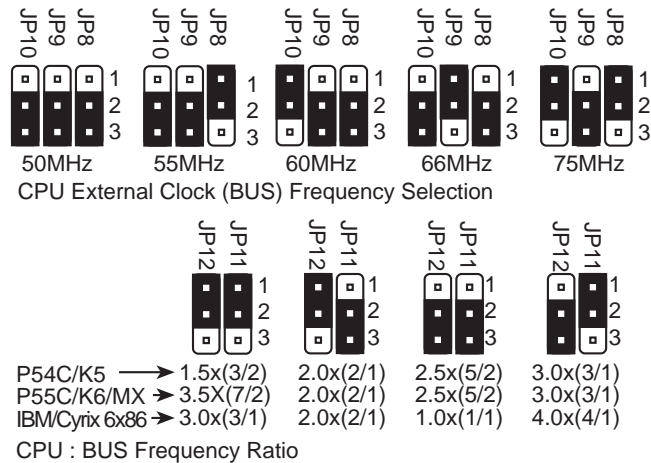
These jumpers tell the clock generator what frequency to send to the CPU. These allow the selection of the CPU's *External* frequency (or *BUS Clock*). The BUS Clock times the BUS Ratio equals the CPU's *Internal* frequency (the advertised CPU speed).

8. CPU to BUS Frequency Ratio (JP11, JP12)

These jumpers set the frequency ratio between the *Internal* frequency of the CPU and the *External* frequency (called the *BUS Clock*) within the CPU. These must be set together with the above jumpers *CPU External (BUS) Frequency Selection*.



Complete Names:
 Intel Pentium P54C, P55C-MMX
 AMD K5, K6
 IBM/Cyrix 6x86, 6x86MX



III. INSTALLATION
(Jumpers)

Set the jumpers by the Internal speed of the Intel, AMD, IBM, or Cyrix CPU as follows:

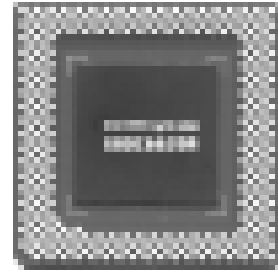
CPU Model	Freq.	Ratio	B. Freq.	(BUS Freq.)			(Freq. Ratio)	
				JP10	JP9	JP8	JP12	JP11
Intel Pentium	233MHz	3.5x	66MHz	[2-3]	[1-2]	[2-3]	[1-2]	[1-2]
Intel Pentium	200MHz	3.0x	66MHz	[2-3]	[1-2]	[2-3]	[2-3]	[1-2]
Intel Pentium	166MHz	2.5x	66MHz	[2-3]	[1-2]	[2-3]	[2-3]	[2-3]
Intel Pentium	150MHz	2.5x	60MHz	[1-2]	[2-3]	[2-3]	[2-3]	[2-3]
Intel Pentium	133MHz	2.0x	66MHz	[2-3]	[1-2]	[2-3]	[1-2]	[2-3]
Intel Pentium	120MHz	2.0x	60MHz	[1-2]	[2-3]	[2-3]	[1-2]	[2-3]
Intel Pentium	100MHz	1.5x	66MHz	[2-3]	[1-2]	[2-3]	[1-2]	[1-2]
Intel Pentium	90MHz	1.5x	60MHz	[1-2]	[2-3]	[2-3]	[1-2]	[1-2]
Intel Pentium	75MHz	1.5x	50MHz	[2-3]	[2-3]	[2-3]	[1-2]	[1-2]
AMD-K6-PR233	233MHz	3.5x	66MHz	[2-3]	[1-2]	[2-3]	[1-2]	[1-2]
AMD-K6-PR200	200MHz	3.0x	66MHz	[2-3]	[1-2]	[2-3]	[2-3]	[1-2]
AMD-K6-PR166	166MHz	2.5x	66MHz	[2-3]	[1-2]	[2-3]	[2-3]	[2-3]
AMD-K5-PR133/100	100MHz	1.5x	66MHz	[2-3]	[1-2]	[2-3]	[1-2]	[1-2]
AMD-K5-PR120/90	90MHz	1.5x	60MHz	[1-2]	[2-3]	[2-3]	[1-2]	[1-2]
AMD-K5-PR75	75MHz	1.5x	50MHz	[2-3]	[2-3]	[2-3]	[1-2]	[1-2]
IBM/Cyrix 6x86MX-PR233	200MHz	3.0x	66MHz	[2-3]	[1-2]	[2-3]	[2-3]	[1-2]
IBM/Cyrix 6x86MX-PR200	166MHz	2.5x	66MHz	[2-3]	[1-2]	[2-3]	[2-3]	[2-3]
IBM/Cyrix 6x86MX-PR166	150MHz	2.5x	60MHz	[1-2]	[2-3]	[2-3]	[2-3]	[2-3]
*IBM/Cyrix6x86-PR166+	133MHz	2.0x	66MHz	[2-3]	[1-2]	[2-3]	[1-2]	[2-3]

***NOTE:** Only IBM or Cyrix Rev 2.7 or later is supported on this motherboard (see next page). Bootup screen will show **6x86-P166+** with the Cyrix PR166+ installed on this motherboard.

III. INSTALLATION

Compatible Cyrix CPU Identification

The only Cyrix CPU that is supported on this motherboard is labeled Cyrix 6x86-PR166+ but must be Revision 2.7 or later. Look on the underside of the CPU for the serial number. The number should read G8DC6620A or later.



9. Memory Cacheable Size (JP4)

The default of **64MB** uses only the onboard TAG SRAM which allows cacheable memory up to 64MB. If you install DRAM above 64MB and wish to allow cacheable memory above 64MB, you need to install a TAG SRAM upgrade or use a cache module with an extended TAG SRAM (such as 256KB ASUS CM1 Rev 3.0 with 2 TAG SRAM's) but not both and set this jumper to **512MB**. See page 12 for TAG SRAM upgrade and page 14 for cache module information.

WARNING: If there are DRAM cache chips (MCache) either onboard or on the SIMM cache module instead of pipelined burst SRAM chips, this jumper must be set to 64MB. 512MB will make the system unstable. Mcache chips can only allow cacheable memory up to 64MB. See "Map of Motherboard" on page 4 for L2 cache locations. If the cache module that you install already have an extended tag, **do not** install another TAG SRAM into the TAG SRAM Upgrade Socket.

Cacheable Size

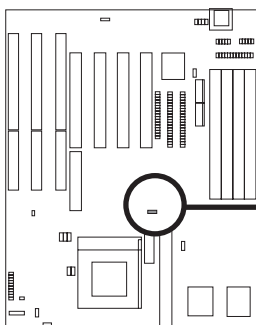
64MB (BSRAM/MCache)

512MB (BSRAM Only)

JP4

[1-2] (Default)

[2-3]



64MB Cacheable (Default)
Burst SRAM or MCache



512MB Cacheable
Burst SRAM Only

Cacheable Size (64MB/512MB)

III. INSTALLATION

2. System Memory (DRAM & SRAM)

This motherboard supports four 72-pin SIMMs of 4MB, 8MB, 16MB, 32MB, or 64MB to form a memory size between 8MB to 256MB. The DRAM can be either 60ns or 70ns Fast Page Mode (Asymmetric or Symmetric) or EDO. To support ECC, you must use *true* (opposed to phantom parity generated by logic chips) 36-bit parity-type DRAM (e.g. 8 chips + 4 parity chips) in pairs for all modules. Mixing 32-bit non-parity DRAM (e.g. 8 chips) and 36-bit DRAM (e.g. 12 chips) will work minus the ECC feature.

Install memory in any or all of the banks in any combination as follows:

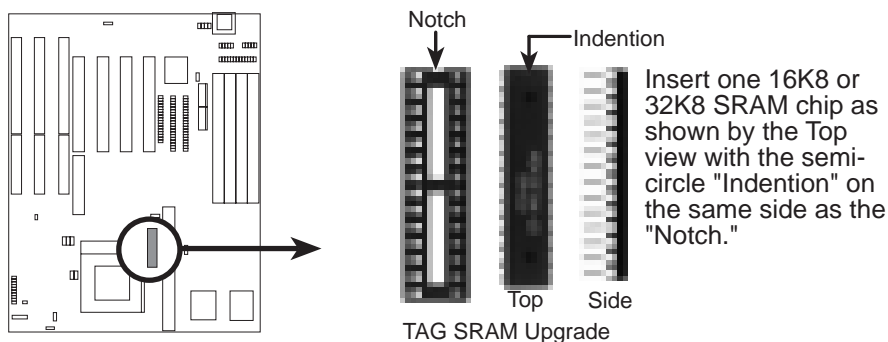
Bank	Memory Module		Total Memory
Bank 0 SIMM Sockets 1&2	4MB, 8MB, 16MB, 32MB, 64MB 72-pin FPM or EDO SIMM	x2	
Bank 1 SIMM Sockets 3&4	4MB, 8MB, 16MB, 32MB, 64MB 72-pin FPM or EDO SIMM	x2	
Total System Memory		=	

IMPORTANT: Memory setup is required in BIOS Chipset Setup "Auto Configuration" on page 34.

IMPORTANT: Each bank must have the same size memory installed in pairs. Do not use memory modules with more than 24 chips per module. Modules with more than 24 chips exceed the design specifications of the memory subsystem and will be unstable.

TAG SRAM Upgrade:

The purpose of this SRAM is described by "Memory Cacheable Size" jumper. You must use a standard 5Volt SRAM chip that is 15ns or faster.

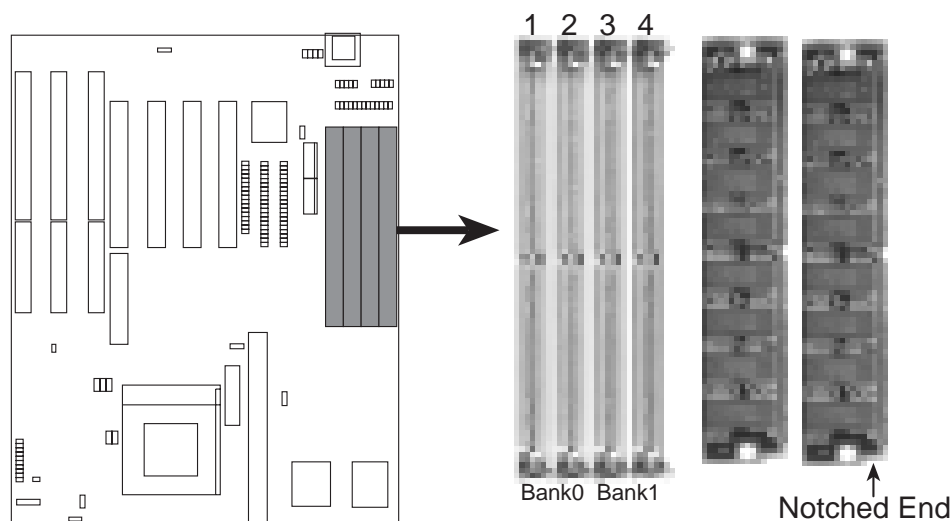


WARNING: If the cache module that you install already have an extended tag, **do not** install another TAG SRAM into the TAG SRAM Upgrade Socket.

III. INSTALLATION

DRAM Memory Installation Procedures:

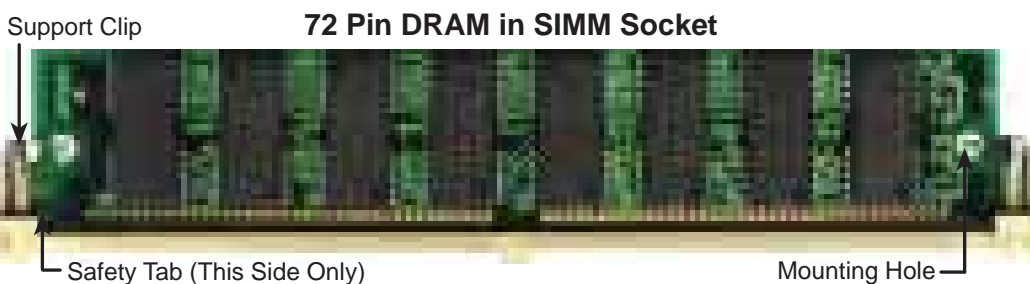
1. The SIMM memory modules will only fit in one orientation as shown because of a "Plastic Safety Tab" on one end of the SIMM sockets which requires the "Notched End" of the SIMM memory modules.



72 Pin SIMM DRAM Sockets & Module

III. INSTALLATION
(DRAM Memory)

2. Press the memory module firmly into place starting from a 45 degree angle making sure that all the contacts are aligned with the socket.
3. With your finger tips, rock the memory module into a vertical position so that it clicks into place.



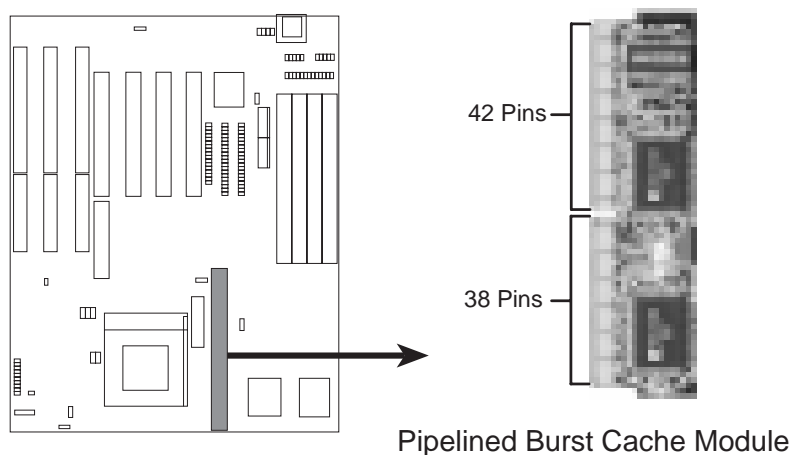
4. The plastic guides should go through the two "Mounting Holes" on the sides and the "Metal Clips" should snap on the other side.
5. To release the memory module, squeeze both "Metal Clips" outwards and rock the module out of the "Metal Clips".

III. INSTALLATION

Static RAM (SRAM) for Level 2 (External) Cache

The motherboard you purchase may have either 0KB, 256KB, or 512KB onboard. If you have both onboard cache chips (see "Map of Motherboard" for locations) and a Cache Expansion Slot, then you have 256KB. If you only have onboard cache chips, then you have 512KB. An "ASUS" or "COAST" cache module can be used to upgrade the 256KB version to 512KB. The 512KB version cannot be upgraded any further. If there is no onboard cache, you may install a SIMM cache module of either 256KB or 512KB.

IMPORTANT: You must set "Total Level 2 Cache Size Setting" jumper on page 8 when changes are made to your cache size.



Insert the module as shown. Because the number of pins are different on either side of the break, the module will only fit in the orientation as shown.

Compatible Cache Modules for this Motherboard

SIMM Cache Module	256KB to 512KB	0KB to 256/512KB
ASUS CM1 Rev 1.0	No	No
ASUS CM1 Rev 1.3	No	No
ASUS CM4 Rev 1.5	No	No
ASUS CM1 Rev 1.6	Yes	No
ASUS CM1 Rev 3.0	Yes	Yes
COAST 1.1	No	No
COAST 1.2	No	No
COAST 1.3	No	No
COAST 2.0	Yes	Yes
COAST 2.1	Yes	Yes
COAST 3.0	Yes	Yes
COAST 3.1	Yes	Yes

WARNING: If the cache module that you install already have an extended tag, **do not** install another TAG SRAM into the TAG SRAM Upgrade Socket.

III. INSTALLATION

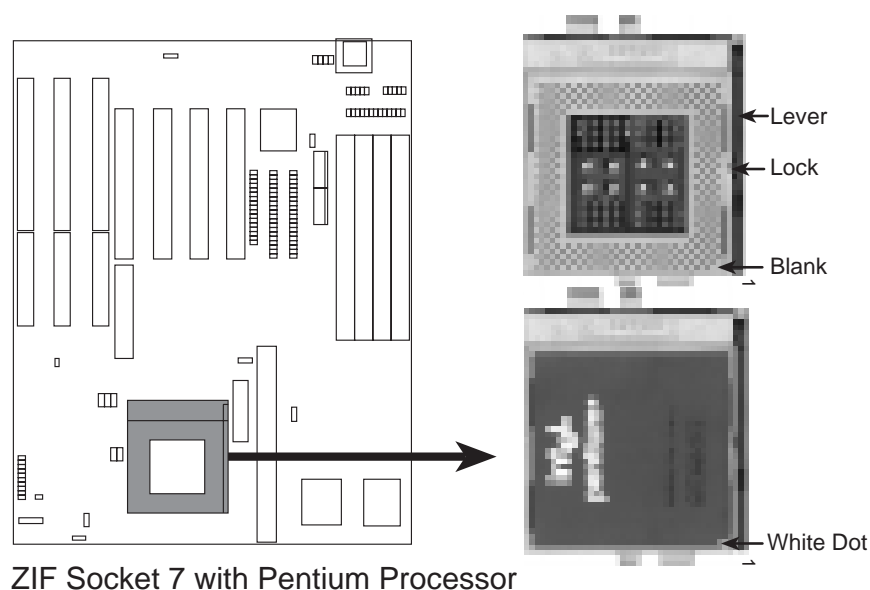
3. Central Processing Unit (CPU)

The motherboard provides a 321-pin ZIF Socket 7 that is backwards compatible with ZIF Socket 5 processors. The CPU that came with the motherboard should have a fan attached to it to prevent overheating. If this is not the case then purchase a fan before you turn on your system. Apply thermal jelly to the CPU top and then install the fan onto the CPU.

WARNING: Without a fan, the CPU can overheat and cause damage to both the CPU and the motherboard. (See page 24 "CPU Cooling Fan Connector.")

To install a CPU, first turn off your system and remove its cover. Locate the ZIF socket and open it by first pulling the lever sideways away from the socket then upwards to a 90-degree right angle. Insert the CPU with the correct orientation as shown. Use the notched corner of the CPU with the white dot as your guide. The white dot should point towards the end the of the lever. Notice that there is a blank area where one hole is missing from that corner of the square array of pin holes and a "1" printed on the motherboard next to that corner. Because the CPU has a corner pin for three of the four corners, the CPU will only fit in the one orientation as shown. The picture is for reference only; you should have a CPU fan that will cover the face of the CPU. With the added weight of the CPU fan, no force is required to insert the CPU. Once completely inserted, hold down on the fan and close the socket's lever.

IMPORTANT: You must set jumpers for "CPU to BUS Frequency Ratio" and jumpers for "BUS Frequency Selection" on page 10 depending on the CPU that you install.



ZIF Socket 7 with Pentium Processor

III. INSTALLATION

4. Expansion Cards

WARNING: Make sure that you unplug your power supply when adding or removing expansion cards or other system components. Failure to do so may cause severe damage to both your motherboard and expansion cards.

First read your expansion card documentation on any hardware and software settings that may be required to setup your specific card.

NOTE: PCI Slot 4 has a MediaBus extension 2.0 (see page 18) which allows the installation of a PCI card or a MediaBus card (optional multifunctional card) but not both.

Expansion Card Installation Procedure:

1. Read the documentation for your expansion card.
2. Set any necessary jumpers on your expansion card.
3. Remove your computer system's cover.
4. Remove the bracket on the slot you intend to use. Keep the bracket for possible future use.
5. Carefully align the card's connectors and press firmly.
6. Secure the card on the slot with the screw you removed in step 4.
7. Replace the computer system's cover.
8. Setup the BIOS if necessary (such as "IRQ xx Used By ISA: Yes" in PNP AND PCI SETUP)
9. Install the necessary software drivers for your expansion card.

Assigning IRQs for Expansion Cards

Some expansion cards need to use an IRQ to operate. Generally an IRQ must be exclusively assigned to one use. In a standard design there are 16 IRQs available but most of them are already in use by parts of the system which leaves 6 free for expansion cards.

III. INSTALLATION

Both ISA and PCI expansion cards may need to use IRQs. System IRQs are available to cards installed in the ISA expansion bus first, and any remaining IRQs are then used by PCI cards. Currently, there are two types of ISA cards. The original ISA expansion card design, now referred to as "Legacy" ISA cards, requires that you configure the card's jumpers manually and then install it in any available slot on the ISA bus. You may use Microsoft's Diagnostic (MSD.EXE) utility included in the Windows directory to see a map of your used and free IRQs. For Windows 95 users, the "Control Panel" icon in "My Computer," contains a "System" icon which gives you a "Device Manager" tab. Double clicking on a specific device give you "Resources" tab which shows the Interrupt number and address. Make sure that no two devices use the same IRQs or your computer will experience problems when those two devices are in use at the same time.

To simplify this process this motherboard has complied with the Plug and Play (PNP) specification which was developed to allow automatic system configuration whenever a PNP-compliant card is added to the system. For PNP cards, IRQs are assigned automatically from those available.

If the system has both Legacy and PNP ISA cards installed, IRQs are assigned to PNP cards from those not used by Legacy cards. The PCI and PNP configuration of the BIOS setup utility can be used to indicate which IRQs are being used by Legacy cards. For older Legacy cards that does not work with the BIOS, you can contact your vendor for an ISA Configuration Utility.

An IRQ number is automatically assigned to PCI expansion cards after those used by Legacy and PNP ISA cards. In the PCI bus design, the BIOS automatically assigns an IRQ to a PCI slot that has a card in it that requires an IRQ. To install a PCI card, you need to set something called the INT (interrupt) assignment. Since all the PCI slots on this motherboard use an INTA #, be sure that the jumpers on your PCI cards are set to INT A.

Assigning DMA Channels for ISA Cards

Some ISA cards, both Legacy and PNP may also need to use a DMA (Direct Memory Access) channel. DMA assignments for this motherboard are handled the same way as the IRQ assignment process described above. You can select a DMA channel in the PCI and PNP configuration section of the BIOS Setup utility.

IMPORTANT: Choose "Yes" for those IRQ's and DMA's you wish to reserve for Legacy (Non-PnP) ISA expansion cards in "IRQ xx Used By ISA" and "DMA x Used By ISA" of the PNP and PCI Setup in the BIOS SOFTWARE section, otherwise conflicts may occur.

III. INSTALLATION

ASUS MediaBus Card

MediaBus allows a cost-efficient solution to a complete multimedia system. The advantages of using one add-on card is to reduce the slot requirements and compatibility problems in order to maximize the Plug and Play advantages. The add-on card inserts into the shared PCI 4 / MediaBus 2.0 Slot.

NOTE: This motherboard uses MediaBus Rev. 2.0. The previous MediaBus cards designed for MediaBus Rev. 1.2 will not fit into the MediaBus Rev 2.0 that is on this motherboard.

The difference between Rev. 1.2 and Rev. 2.0 is that the later revision has 72 pins instead of 68 so it does not have to use any PCI slot signals reserved for PCI cards, therefore the motherboard's PCI Slot 4 can meet standard specifications. The gap between the MediaBus extension and the PCI Slot 4 has been increased from 0.32" to 0.40" in order to prevent Rev. 1.2 MediaBus cards from being installed into the new motherboards and vice versa.

The following are MediaBus cards designed for **MediaBus 2.0** that *can* be used on this motherboard:

- | | |
|--------------------|--|
| • PCI-AS2940UW | Ultra Fast/Wide SCSI & Audio MediaBus Card |
| • PCI-AV264CT-N | PCI Audio & Video MediaBus Card |
| • PCI-AV264VT | PCI Audio & Video MediaBus Card |
| • PCI-AV264GT | PCI Audio & Video MediaBus Card |
| • PCI-AV264GT/Plus | PCI Audio & Video MediaBus Card |

The following are MediaBus cards designed for **MediaBus 1.2** and therefore *cannot* be used on this motherboard:

- | | |
|---------------|--------------------------------------|
| • PCI-AS7870 | Fast/Wide SCSI & Audio MediaBus Card |
| • PCI-AV264CT | PCI Audio & Video MediaBus Card |
| • PCI-AV868 | PCI Audio & Video MediaBus Card |

* All the above Audio features Creative Technology, Ltd.

* All the above Video features ATI, Inc. (AV868 Video features S3, Inc.)

* All the above SCSI features Adaptec, Inc.

III. INSTALLATION

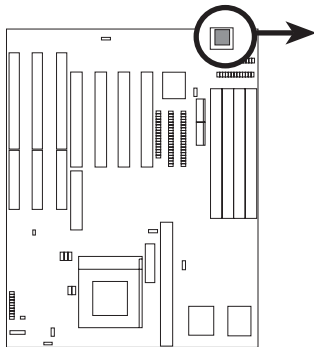
5. External Connectors

WARNING: Some pins are used for connectors or power sources. These are clearly separated from jumpers in "Map of the Motherboard" on page 4. Placing jumper caps over these will cause damage to your motherboard.

IMPORTANT: Ribbon cables should always be connected with the red stripe on the Pin 1 side of the connector. The four corners of the connectors are labeled on the motherboard. Pin 1 is the side closest to the power connector on hard drives and floppy drives. IDE ribbon cable must be less than 18in. (46cm), with the second drive connector no more than 6in. (15cm) from the first connector.

1. Keyboard Connector (5-pin female)

This connection is for a standard IBM-compatible keyboard. May also be known as a 101 enhanced keyboard.



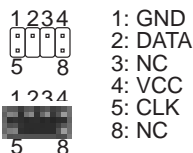
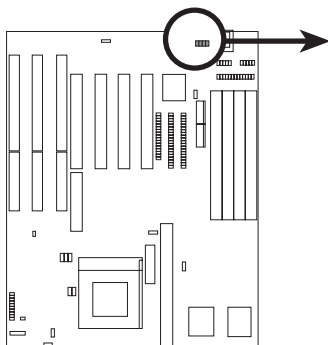
Keyboard Connector (5-pin female)



Connector Plug from Keyboard

2. PS/2 Mouse Connector (6-pin block)

If you are using a PS/2 mouse, you must purchase an optional PS/2 mouse set which connects to the 6 pin block and mounts to an open slot on your computer's case. The system will direct IRQ12 to the PS/2 mouse if one is detected. If not detected, expansion cards can use IRQ12. See PS/2 Mouse Control in BIOS FEATURES SETUP.

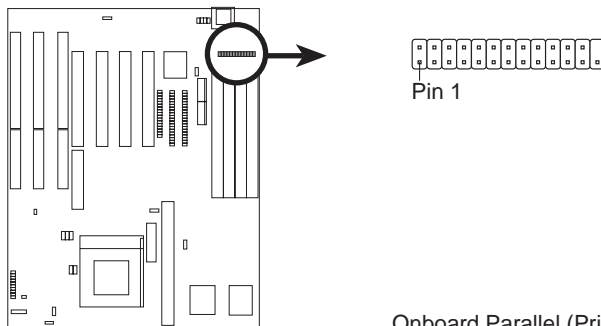


PS/2 Mouse Module Connector

III. INSTALLATION

3. Parallel Printer Connector (26 Pin Block)

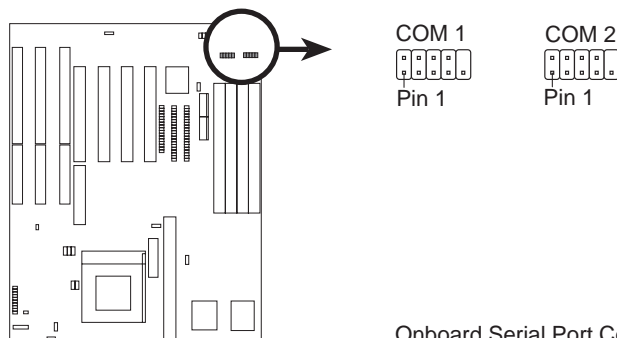
Connection for the included parallel port ribbon cable with mounting bracket. Connect the ribbon cable to this connection and mount the bracket to the case on an open slot. It will then be available for a parallel printer cable. **Note:** Serial printers must be connected to the serial port. You can enable the parallel port and choose the IRQ through BIOS Setup on page 36 "Onboard Parallel Port." (**Pin 26 is removed to prevent inserting in the wrong orientation when using ribbon cables with pin 26 plugged**).



Onboard Parallel (Printer) Connector

4. Serial Port COM1 and COM2 Connectors (Two 10-pin blocks)

These connectors support the provided serial port ribbon cables with mounting bracket. Connect the ribbon cables to these connectors and mount the bracket to the case on an open slot. The two serial ports on the mounting bracket will then be used for pointing devices or other serial devices. See page 35 for BIOS configuration of "Onboard Serial Port". (**Pin 10 is removed to prevent inserting in the wrong orientation when using ribbon cables with pin 10 plugged**).

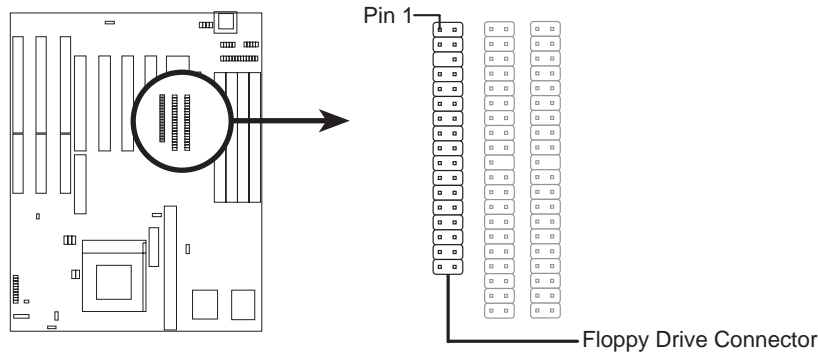


Onboard Serial Port Connectors

III. INSTALLATION

5. Floppy Drive Connector (34-pin block)

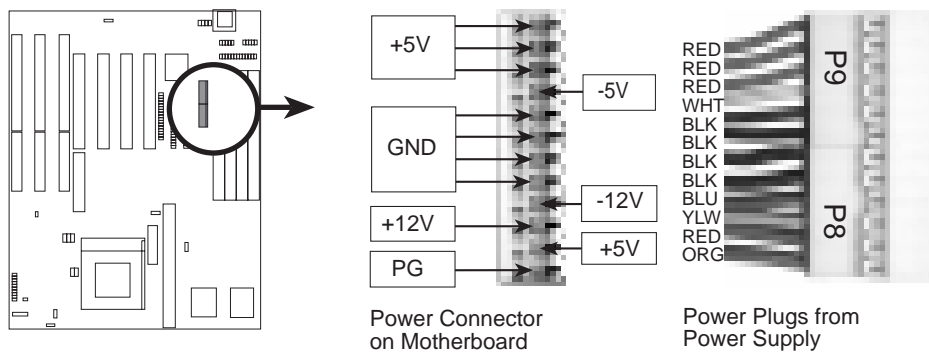
This connector supports the provided floppy drive ribbon cable. After connecting the single end to the board, connect the two plugs on the other end to the floppy drives. **(Pin 5 is removed to prevent inserting in the wrong orientation when using ribbon cables with pin 5 plugged).**



6. Power Connector (12-pin block)

This connector connects to a standard 5 Volt power supply. To connect the leads from the power supply, ensure first that the power supply is not plugged. Most power supplies provide two plugs (P8 and P9), each containing six wires, two of which are black. Orient the connectors so that the black wires are located in the middle.

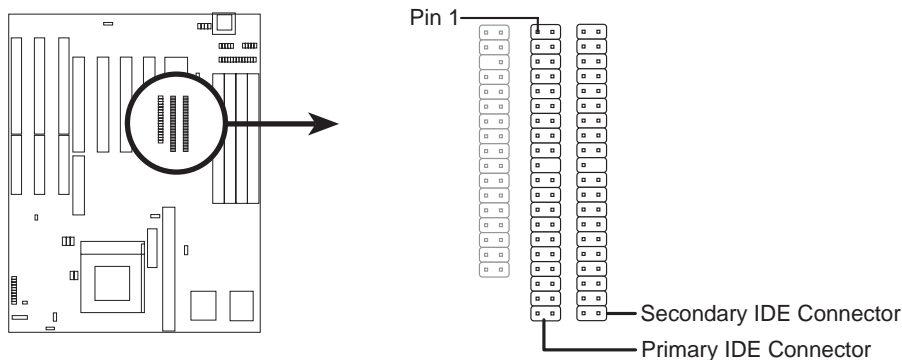
Using a slight angle, align the plastic guide pins on the lead to their receptacles on the connector. Once aligned, press the lead onto the connector until the lead locks into place.



III. INSTALLATION

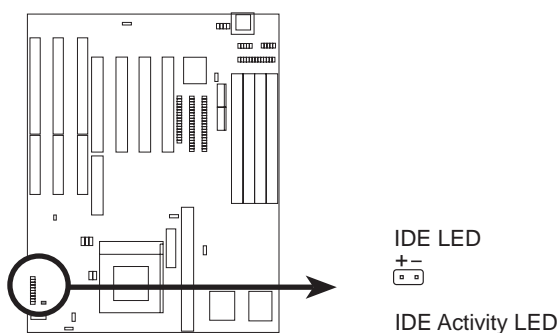
7. Primary / Secondary IDE Connectors (Two 40-pin Block)

These connectors support the provided IDE hard disk ribbon cable. After connecting the single end to the board, connect the two plugs at the other end to your hard disk(s). If you install two hard disks, you must configure the second drive to Slave mode by setting its jumper accordingly. Please refer to the documentation of your hard disk for the jumper settings. You may also configure two hard disks to be both Masters using one ribbon cable on the primary IDE connector and another ribbon cable on the secondary IDE connector. BIOS now supports SCSI device or IDE CD-ROM bootup (see "HDD Sequence SCSI/IDE First" & "Boot Sequence" in the BIOS FEATURES SETUP of the BIOS software) **(Pin 20 is removed to prevent inserting in the wrong orientation when using ribbon cables with pin 20 plugged).**



8. IDE Activity LED (IDE LED)

This connector connects to the hard disk activity indicator light on the system cabinet.



III. INSTALLATION

9. Turbo LED Lead (CON1)

The motherboard's turbo function is always on. The turbo LED connection is labeled here but the LED will remain constantly lit while the system power is on. You may wish to connect the Power LED from the system case to this lead. See the figure below.

10. SMI Suspend Switch Lead (CON1)

This allows the user to manually place the system into a suspend mode or "Green" mode where system activity will be instantly decreased to save electricity and expand the life of certain components when the system is not in use. This 2-pin connector (see the figure below) connects to the case-mounted suspend switch. If you do not have a switch for the connector, you may use the "Turbo Switch" since it does not have a function. SMI is activated when it detects a *short to open* moment and therefore leaving it shorted will not cause any problems. May require one or two pushes depending on the position of the switch. Wake-up can be controlled by settings in the BIOS but the keyboard will always allow wake-up (the SMI lead cannot wake-up the system). If you want to use this connector, "Suspend Switch" in the POWER MANAGEMENT SETUP of the BIOS software should be on the default setting of *Enable*.

11. Reset Switch Lead (CON1)

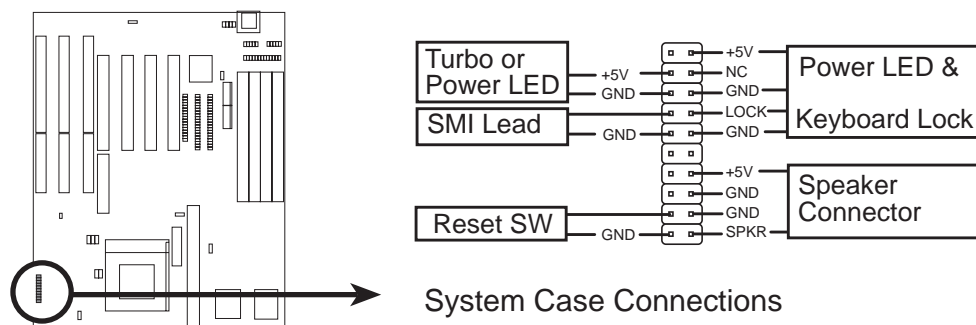
This 2-pin connector connects to the case-mounted reset switch for rebooting your computer without having to turn off your power switch. This is a preferred method of rebooting in order to prolong the life of the system's power supply. See the figure below.

12. Keyboard Lock Switch Lead & System Power LED (CON1)

This 5-pin connector connects to the case-mounted keyboard lock switch for locking the keyboard and also to connect the system power LED. The system power LED lights when the system is powered on. See the figure below.

13. Speaker Connector (CON1)

This 4-pin connector connects to the case-mounted speaker.

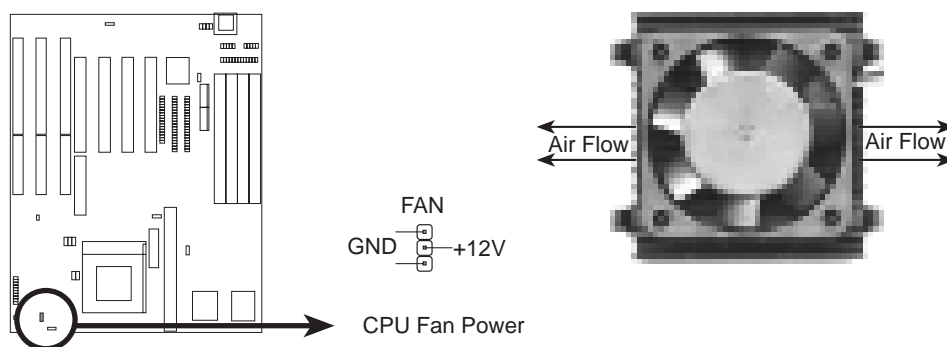


III. INSTALLATION

14. CPU Cooling Fan Connector (FAN)

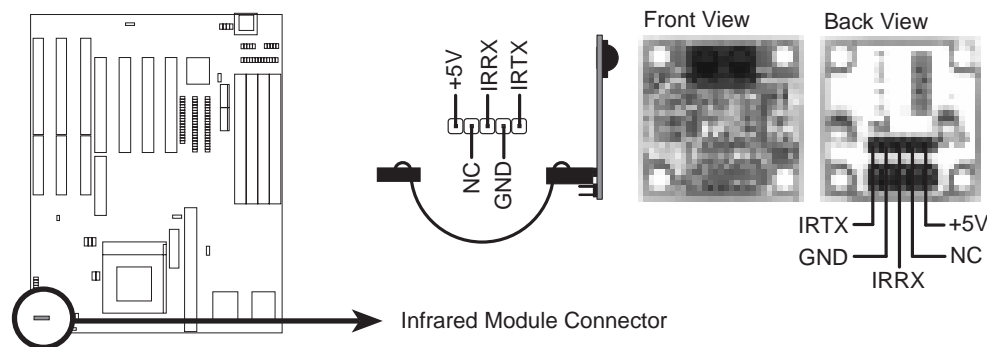
This connector supports a CPU cooling fan of 500mAMP (6WATT) or less. Orientate the fan so that the heat sink fins allow airflow to go across the on-board heat sink(s) instead of the expansion slots. Depending on the fan manufacturer, the wiring and plug may be different. The red wire should be positive, while the black should be ground. Connect the fan's plug to the board taking into consideration the polarity of the this connector.

WARNING: The CPU and/or motherboard will overheat if there is no airflow across the CPU and onboard heatsinks. Damage may occur to the motherboard and/or the CPU fan if these pins are incorrectly used. **These are not jumpers, do not place jumper caps over these pins.**



15. IrDA-Compliant Infrared Module Connector (IR)

This connector supports the optional wireless transmitting and receiving infrared module. This module mounts to a small opening on system cases that support this feature. You must also configure the setting through BIOS setup on page 36 "UART2 Use Infrared" to select whether UART2 is directed for use with COM2 or IrDA. Use the five pins as shown on the Back View and connect a ribbon cable from the module to the motherboard according to the pin definitions.



III. INSTALLATION

Power Connection Procedures

1. After all jumpers and connections are made, close the system case cover.
2. Make sure that all switches are in the off position as marked by ○.
3. Connect the power supply cord into the power supply located on the back of your system case as instructed by your system user's manual.
4. Connect all power cords into a power strip that is equipped by a surge protector.
5. You may then turn on your devices in the following order:
 - a. Your monitor
 - b. External SCSI devices (starting with the last device on the chain)
 - c. Your system power
6. The power LED on the front panel of the system case will light and the monitor LED as well. The system will then run power-on tests. While the tests are running, additional messages will appear on the screen. If you do not see anything within 30 seconds from the time you turn on the power, the system may have failed a power-on test. Recheck your jumper settings and connections or call your authorized dealer for assistance.
7. During power-on, hold down the <Delete> key to enter BIOS setup. Follow the next section "BIOS SOFTWARE" for instructions.

IV. BIOS SOFTWARE

Support Software

FILELIST.TXT - View this file to see the files included in the support software.

PFLASH.EXE - This is the Flash Memory Writer utility that updates the BIOS by uploading a new BIOS file to the programmable flash ROM chip on the motherboard. To determine the BIOS version, check the last four numbers of the code displayed on the upper left-hand corner of your screen during bootup. Larger numbers represent a newer BIOS file.

NOTE: A binary BIOS file is no longer included with the support software. Save the motherboard's BIOS file to a floppy diskette as soon as your system is operational. See "Flash Memory Writer Utility" in this section to "Save Current BIOS to File."

Flash Memory Writer Utility

```
ASUSTeK PnP BIOS
FLASH MEMORY WRITER V1.5
Copyright (C) 1995, ASUSTeK COMPUTER Inc.

Flash Type -- SST 29EE010
Current BIOS Revision: #401A0-xxxx
Choose one of the following:
1. Save Current BIOS To File
2. Update BIOS Main Block From File
3. Advanced Features

Enter Choice: [ 1]

Press ESC To Exit
```

xxxx denotes the current BIOS version stored in the Flash EPROM

IMPORTANT: Flash Type may also be "INTEL 28F001BXT." If "unknown" is shown after "Flash type --," then this ROM chip is not programmable or not supported with the PnP BIOS and therefore cannot be programmed by the Flash Memory Writer.

Main Menu

1. Save Current BIOS to File (Perform as soon as system is operational)

This option allows you to copy the contents of the Flash memory chip onto a diskette. This gives you a backup copy of the original motherboard BIOS in case you need to re-install it.

Create a bootable system floppy diskette by typing [FORMAT A:/S] from the DOS environment without creating "AUTOEXEC.BAT" and "CONFIG.SYS" files, then save the PFLASH.EXE and the BIOS to the floppy diskette.

IV. BIOS SOFTWARE

2. Update BIOS Main Block from File

This option updates the BIOS from a file on the disk. This can either be a new file or a backup file created by the "Save Current BIOS to File" option. This will not update the Boot Block if the Boot Block is different. You will be prompted with the following if advanced features if necessary.

**Boot Block of New BIOS is different from old one !!!
Please Use 'Advanced Feature' to flash whole bios !!!**

3. Advanced Features

Selecting this option brings up the Advanced Features screen for clearing the PnP configuration record and updating the motherboard BIOS.

Advanced Features Menu

```
Advanced Features

Flash Type -- SST 29EE010
Current BIOS Revision: #401A0-xxxx
Choose one of the following:
 1. Clear PNP ESCD Parameter Block
 2. Update BIOS Including Boot Block and ESCD

Enter Choice: [ 2]

Press ESC To Exit
```

xxxx denotes the current BIOS version stored in the Flash EPROM

1. Clear PNP ESCD Parameter Block

This option erases the Plug-and-Play (PnP) configuration record.

2. Update BIOS Including Boot Block and ESCD

This option updates the Boot Block, the motherboard BIOS and the PnP ESCD Parameter Block from a new BIOS file.

NOTE: "Update BIOS Main Block from File" and "Update BIOS Including Boot Block and ESCD" requires that the system is running in real mode. This utility will not operate if the system is under protected mode or virtual mode. You should boot from a system floppy diskette without "AUTOEXEC.BAT" and "CONFIG.SYS" files.

IV. BIOS SOFTWARE

Updating your Motherboard's BIOS

1. Download an updated BIOS file from Bulletin Board Services (BBS) or the internet (WWW) and save to the diskette you created in step 1 of the Main Menu. See **ASUS CONTACT INFORMATION** on page II.
2. Turn off your computer and open the system cabinet to *Enable* "Boot Block Programming" jumper as shown in section III.
2. Boot from the floppy diskette you created in step 1 of the main menu.
3. At the "A:\\" prompt, type: **PFLASH <Enter>**
4. Enter "2" from the Main Menu or "2" from the Advanced Features Menu.
5. The program displays a second screen prompting you for the name of the BIOS file. Type in the complete name of the file, including the file name extension, and then press the <Enter> key. The utility then uploads the BIOS file from disk. The following message will appear:

DO NOT TURN OFF THE SYSTEM IF THERE IS A PROBLEM!

If you encounter problems while downloading the new BIOS, **DO NOT** turn off your system since this might prevent your system from booting up. Just repeat the process, and if the problem still persists, upload the original BIOS file you saved to disk in step 1 of the Main Menu.

WARNING: If the Flash Memory Writer utility was not able to successfully download a complete BIOS file, your system may not be able to boot up. If this happens, your system will require service from your vendor.

6. After successfully downloading the new BIOS file, exit the Flash Memory Writer utility and **then turn off your system**. Set the jumper back to its default setting of Programming "*Disabled.*"
7. Turn on your computer and hold down <delete> to enter BIOS setup. **You must select "Setup Default" to affect the new BIOS, then you may set other items from the Main Menu.**

IV. BIOS SOFTWARE

6. BIOS Setup

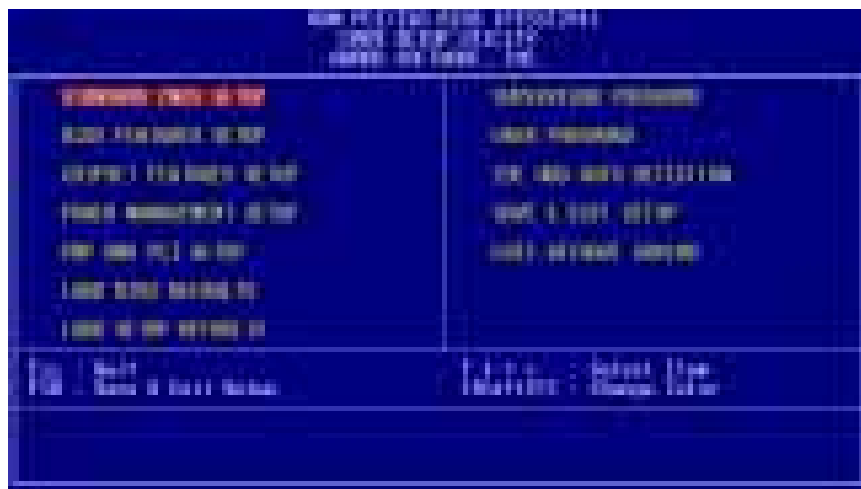
The motherboard supports two programmable Flash ROM chips: 5 Volt and 12 Volt. Either of these memory chips can be updated when BIOS upgrades are released. Use the Flash Memory Writer utility to download the new BIOS file into the ROM chip as described in detail in this section.

All computer motherboards provide a Setup utility program for specifying the system configuration and settings. If your motherboard came in a computer system, the proper configuration entries may have already been made. If so, invoke the Setup utility, as described later, and take note of the configuration settings for future reference; in particular, the hard disk specifications.

If you are installing the motherboard, reconfiguring your system or you receive a Run Setup message, you will need to enter new setup information. This section describes how to configure your system using this utility.

The BIOS ROM of the system stores the Setup utility. When you turn on the computer, the system provides you with the opportunity to run this program. This appears during the Power-On Self Test (POST). Press <Delete> to call up the Setup utility. If you are a little bit late pressing the mentioned key(s), POST will continue with its test routines, thus preventing you from calling up Setup. If you still need to call Setup, reset the system by pressing <Ctrl> + <Alt> + <Delete>, or by pressing the Reset button on the system case. You can also restart by turning the system off and then back on again. But do so only if the first two methods fail.β

When you invoke Setup, the CMOS SETUP UTILITY main program screen will appear with the following options:



IV. BIOS SOFTWARE

Load Defaults

The “Load BIOS Defaults” option loads the minimized settings for troubleshooting. “**Load Setup Defaults**”, on the other hand, is for loading optimized defaults for regular use. Choosing defaults at this level, will modify all applicable settings.

A section at the bottom of the above screen displays the control keys for this screen. Take note of these keys and their respective uses. Another section just below the control keys section displays information on the currently highlighted item in the list.

Standard CMOS Setup

This “Standard CMOS Setup” option allows you to record some basic system hardware configuration and set the system clock and error handling. If the motherboard is already installed in a working system, you will not need to select this option anymore. However, if the configuration stored in the CMOS memory on the board gets lost or damaged, or if you change your system hardware configuration, you will need to respecify the configuration values. The configuration values usually get lost or corrupted when the power of the onboard CMOS battery weakens.



The above screen provides you with a list of options. At the bottom of this screen are the control keys for use on this screen. Take note of these keys and their respective uses.

User-configurable fields appear in a different color. If you need information on the selected field, press the <F1> key. The help menu will then appear to provide you with the information you need. The memory display at the lower right-hand side of the screen is read-only and automatically adjusts accordingly.

IV. BIOS SOFTWARE

Details of Standard CMOS Setup:

Date

To set the date, highlight the “Date” field and then press the page up/page down or +/- keys to set the current date. Follow the month, day and year format. Valid values for month, day and year are:

Month:	1 to 12
Day:	1 to 31
Year:	up to 2099

Time

To set the time, highlight the “Time” field and then press the page up/page down or +/- keys to set the current time. Follow the hour, minute and second format. Valid values for hour, minute and second are:

Hour:	00 to 23
Minute:	00 to 59
Second:	00 to 59

You can bypass the date and time prompts by creating an AUTOEXEC.BAT file. For information on how to create this file, please refer to the MS-DOS manual.

Hard Disk Drives

This field records the specifications for all non-SCSI hard disk drives installed in your system. The onboard PCI IDE connectors provide Primary and Secondary channels for connecting up to four IDE hard disks or other IDE devices. Each channel can support up to two hard disks; the first of which is the “master” and the second is the “slave”.

Specifications for SCSI hard disks need not to be entered here since they operate using device drivers and are not supported by any the BIOS. If you install the optional PCI-SC200 SCSI controller card into the motherboard (see section VI for instructions). If you install other vendor’s SCSI controller card, please refer to their respective documentations on how to install the required SCSI drivers.

IV. BIOS SOFTWARE

For IDE hard disk drive setup, you can:

- Use the *Auto* setting for detection during bootup.
- Use the IDE HDD AUTO DETECTION in the main menu to automatically enter the drive specifications.
- Enter the specifications yourself manually by using the "User" option.

The entries for specifying the hard disk type include **CYLS** (number of cylinders), **HEAD** (number of read/write heads), **PRECOMP** (write precompensation), **LANDZ** (landing zone), **SECTOR** (number of sectors) and **MODE**. The **SIZE** field automatically adjusts according to the configuration you specify. The documentation that comes with your hard disk should provide you with the information regarding the drive specifications.

The **MODE** entry is for IDE hard disks only, and can be ignored for MFM and ESDI drives. This entry provides three options: *Normal*, *Large*, *LBA*, or *Auto* (see below). Set **MODE** to the *Normal* for IDE hard disk drives smaller than 528MB; set it to *LBA* for drives over 528MB that support Logical Block Addressing (LBA) to allow larger IDE hard disks; set it to *Large* for drives over 528MB that do not support LBA. *Large* type of drive can only be used with MS-DOS and is very uncommon. Most IDE drives over 528MB support the *LBA* mode.

Auto detection of hard disks on bootup

For each field: Primary Master, Primary Slave, Secondary Master, and Secondary Slave, you can select *Auto* under the TYPE and MODE fields. This will enable auto detection of your IDE drives during bootup. This will allow you to change your hard drives (with the power off) and then power on without having to reconfigure your hard drive type. If you use older hard drives which do not support this feature, then you must configure the hard drive in the standard method as described above by the "User" option.

NOTE: After the IDE hard disk drive information has been entered into BIOS, new IDE hard disk drives must be partitioned (such as with FDISK) and then formatted before data can be read from and write on. Primary IDE hard disk drives must have its partition set to *active* (also possible with FDISK).

IV. BIOS SOFTWARE

Drive A, Drive B

These fields record the types of floppy disk drives installed in your system. The available options for drives A and B are:

360KB, 5.25 in.

1.2MB, 5.25 in.

720KB, 3.5 in.

1.44MB, 3.5 in.

2.88MB, 3.5 in.

None

To enter the configuration value for a particular drive, highlight its corresponding field and then select the drive type using the left- or right-arrow key.

Floppy 3 Mode Support

This is the Japanese standard floppy drive. The standard stores 1.2MB in a 3.5" diskette. This is normally disabled but you may choose from either:

Drive A

Drive B

Both

Disabled (Default)

Video

Set this field to the type of video display card installed in your system. The options are:

EGA/VGA (Default)

Mono (for Hercules or MDA)

CGA 40

CGA 80

If you are using a VGA or any higher resolution card, choose the "EGA/VGA" option.

Halt On

This field determines which types of errors will cause the system to halt.

All Errors (Default)

No Errors

All, But Keyboard

All, But Diskette

All, But Disk/Key

IV. BIOS SOFTWARE

BIOS Features Setup

This “BIOS Features Setup” option consists of configuration entries that allow you to improve your system performance, or let you set up some system features according to your preference. Some entries here are required by the motherboard’s design to remain in their default settings.



A section at the lower right of the screen displays the control keys you can use. Take note of these keys and their respective uses. If you need information on a particular entry, highlight it and then press <F1>. A pop-up help menu will appear to provide you with the information you need. To load the last set values, press <F5>. Pressing <F6> and <F7> load the BIOS default values and Setup default values, respectively.

Details of BIOS Features Setup:

Virus Warning

This field protects the boot sector and partition table of your hard disk against accidental modifications. Any attempt to write to them will cause the system to halt and display a warning message. If this occurs, you can either allow the operation to continue or use a bootable virus-free floppy disk to reboot and investigate your system. The default setting is **Disabled**. This setting is recommended because conflicts with new operating systems. Installation of new operating systems require that you disable this to prevent write errors.

CPU Internal Cache

These fields allow you to set the CPU’s “Level 1” primary cache to **Enabled** (default) or **Disabled**. Caching allows better performance.

External Cache

These fields allow you to set the CPU’s “Level 2” secondary cache to **Enabled** (default) or **Disabled**. Caching allows better performance.

IV. BIOS SOFTWARE

Quick Power On Self Test

This field speeds up the Power-On Self Test (POST) routine by skipping retesting a second, third, and fourth time. Setup default setting for this field is **Enabled**. A complete test of the system is done on each test.

HDD Sequence SCSI/IDE First

When using both SCSI and IDE hard disk drives, IDE is always the boot disk using drive letter C (default setting of **IDE**). This feature allows a SCSI hard disk drive to be the boot disk when set to **SCSI**. This allows multiple operating systems to be used on both IDE and SCSI drives or the primary operating system to boot using a SCSI hard disk drive.

Boot Sequence

This field determines where the system looks first for an operating system. Options are *C,CDROM,A*; *CDROM,C,A*; *A,C*; *C,A*. The setup default setting is to check first the hard disk and then the floppy drive, that is, *C, A*.

Boot Up Floppy Seek

When enabled, the BIOS will seek the floppy “A” drive one time. By setup default, this field is set to **Disabled**.

Floppy Disk Access Control

This allows protection of files from the computer system to be copied to floppy drives by allowing the setting of *Read Only* to only allow reads from the floppy but not writes. The setup default *R/W* allows both reads and writes.

IDE HDD Block Mode Sectors

This field enhances hard disk performance by making multi-sector transfers instead of one sector per transfer. Most IDE drives, except older versions, can utilize this feature. By setup default, this field is set to **HDD MAX**, other selections are *Disabled 2, 4, 8, 16, and 32*.

Security Option

When you specify a *Supervisor Password* and/or *User Password* (explained later in this section), the Security Option field determines when the system prompts for the password. The default setting is **System**, where the system prompts for the User Password every time you start your system. The other option is *Setup*, where the system goes through its startup routine unless the Setup utility is called, when the system prompts for the Supervisor Password.

PS/2 Mouse Function Control

The default of **Auto** allows the system to detect a PS/2 Mouse on bootup. If detected, IRQ12 will be used for the PS/2 Mouse. IRQ12 will be reserved for expansion cards if a PS/2 Mouse is not detected. **Disabled** will reserve IRQ12 for expansion cards and therefore the PS/2 Mouse will not function.

IV. BIOS SOFTWARE

PCI/VGA Palette Snoop

Some display cards that are nonstandard VGA such as graphics accelerators or MPEG Video Cards may not show colors properly. The setting *Enabled* should correct this problem. Otherwise leave this on the setup default setting of *Disabled*.

OS/2 Onboard Memory > 64M

When using OS/2 operating systems with installed DRAM of greater than 64MB, you need to *Enable* this option otherwise leave this on the setup default of *Disabled*.

.....

Video ROM BIOS Shadow

This field allows you to change the video BIOS location from ROM to RAM. Relocating to RAM enhances system performance because information access is faster than to ROM. Setup default setting is *Enabled*.

C8000 – CBFFF Shadow to DC000 – DFFFF Shadow

These fields are used for shadowing other expansion card ROMs. If you install other expansion cards with ROMs on them, you will need to know which addresses the ROMs use to shadow them specifically. Shadowing a ROM reduces the memory available between 640KB and 1024KB by the amount used for this purpose. Leave on default setting of *Disabled*.

.....

Boot Up NumLock Status

This field enables users to activate the Number Lock function upon system boot. The setup default setting for this field is *On*.

Boot Up System Speed

This has no function and should be left at the setup default of *High*.

Typematic Rate Setting

When enabled, you can set the two typematic controls listed below. Setup default setting is *Disabled*.

Typematic Rate (Chars/Sec)

This field controls the speed at which the system registers repeated keystrokes. Options range from 6 to 30 characters per second. Setup default setting is **6**; other settings are **8, 10, 12, 15, 20, 24, and 30**.

Typematic Delay (Msec)

This field sets the time interval, in milliseconds, for displaying the first and second characters. Four delay rate options are available: **250** (default), **500, 750 and 1000**.

IV. BIOS SOFTWARE

Chipset Features Setup

This “Chipset Features Setup” option controls the configuration of the board’s chipset. Control keys for this screen are the same as for the previous screen.



Auto Configuration

The default setting of **60ns DRAM** sets the optimal timings for items 2 through 9 for 60ns DRAM modules. If you are using 70ns DRAM modules, you must change this item to **70ns DRAM**. See pages 12-13 for DRAM installation information.

Peer Concurrency (Leave on default setting of **Enabled**)

PCI Streaming (Leave on default setting of **Enabled**)

Passive Release (Leave on default setting of **Enabled**)

Chipset Global Features (Leave on default setting of **Enabled**)

16-bit I/O Recovery Time

Timing for 16-bit ISA cards (Leave on default setting of **1 BUSCLK**)

8-bit I/O Recovery Time

Timing for 8-bit ISA cards (Leave on default setting of **1 BUSCLK**)

Video BIOS Cacheable

Allows the Video BIOS to be cached to allow faster execution. (Leave on default setting of **Enabled**)

Memory Hole At 15M-16M

Enabling this features reserves 15MB to 16MB memory address space to ISA expansion cards that specifically require this setting. This makes the memory from 15MB and up unavailable to the system. Expansion cards can only access memory up to 16MB. The default is **Disabled**.

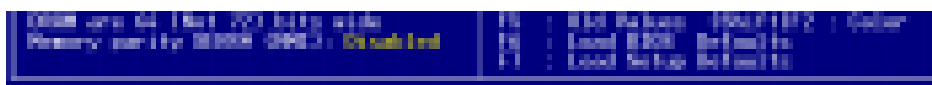
IV. BIOS SOFTWARE

[DRAM and ECC]

If all your DRAM modules have parity chips (e.g. 8 chips + 4 parity chips), they are considered 36bits. This motherboard sums the memory per bank and therefore two modules will give 72bits and the following will be displayed:



If your DRAM modules do not have parity chips (e.g. 8 chips), they are considered 32bits and the following will be displayed instead:



The default of *Disabled* for **Memory parity SERR# (NMI)** will not show memory errors on your monitor. When using parity DRAM modules, you can select from the default of *Parity* or *ECC* (Error Checking and Correcting) to correct 1 bit memory errors that may occur in the memory. (See pages 12-13 for more information on DRAM memory modules.)

Onboard FDC Controller

When enabled, this field allows you to connect your floppy disk drives to the on-board floppy drive connector instead of a separate controller card. If you want to use a different controller card to connect the floppy drives, set this field to “Disabled”. Default setting is *Enabled*.

Onboard FDC Swap A: B:

This field allows you to reverse the hardware drive letter assignments of your floppy disk drives. Two options are available: *No Swap* (default) and *Swap AB*. If you want to switch drive letter assignments through the onboard chipset, set this field to *Swap AB*.

Onboard Serial Port 1

Settings are *3F8H/IRQ4* (default), *2F8H/IRQ3*, *3E8H/IRQ4*, *2E8H/IRQ10*, and *Disabled* for the onboard serial connector.

Onboard Serial Port 2

Settings are *3F8H/IRQ4*, *2F8H/IRQ3* (default), *3E8H/IRQ4*, *2E8H/IRQ10*, and *Disabled* for the onboard serial connector.

IV. BIOS SOFTWARE

Onboard Parallel Port

This field sets the address of the onboard parallel port connector. You can select either: *3BCH/IRQ 7*, *378H/IRQ 7* (default), *278H/IRQ 5*, *Disabled*. If you install an I/O card with a parallel port, ensure that there is no conflict in the address assignments. The PC can support up to three parallel ports as long as there are no conflicts for each port.

Parallel Port Mode

This field allows you to set the operation mode of the parallel port. The setting *Normal*, allows normal-speed operation but in one direction only; *EPP* allows bidirectional parallel port operation at maximum speed; *ECP* allows the parallel port to operate in bidirectional mode and at a speed faster than the maximum data transfer rate; *ECP+EPP* (default) allows normal speed operation in a two-way mode.

ECP DMA Select

This selection is available only if you select *ECP* or *ECP+EPP* in the **Parallel Port Mode**. Select either DMA Channel *1, 3* (default), or *Disabled*.

UART2 Use Infrared

When enabled, this field activates the onboard infrared feature and sets the second serial UART to support the infrared module connector on the motherboard. If your system already has a second serial port connected to the onboard COM2 connector, it will no longer work if you enable the infrared feature. By default, this field is set to *Disabled*, which leaves the second serial port UART to support the COM2 serial port connector. See section III for **IrDA-Compliant Infrared Module Connector**.

Onboard PCI IDE Enable

You can select to enable the *Primary* IDE channel, *Secondary* IDE channel, *Both* (default), or *Disable* both channels (for systems with only SCSI drives).

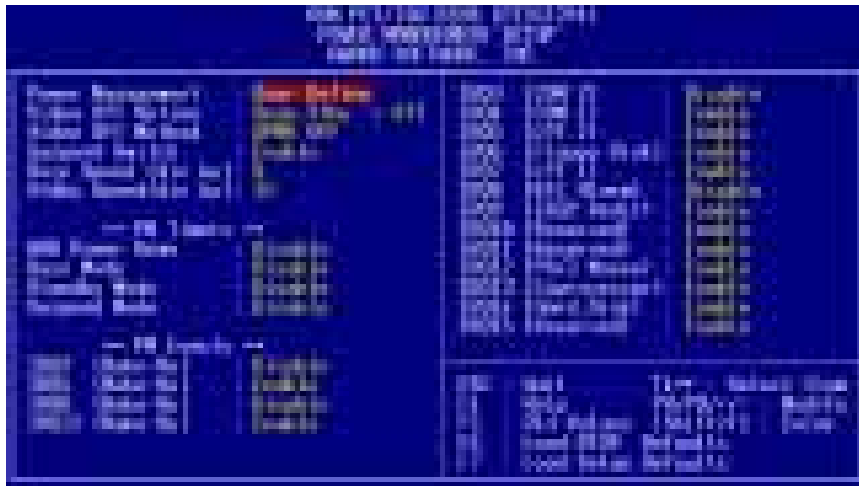
IDE 0 Master/Slave Mode, IDE 1 Master/Slave Mode

Each channel (0 and 1) has both a master and a slave making four IDE devices possible. Because each IDE device may have a different Mode timing (0, 1, 2, 3, 4), it is necessary for these to be independent. The default setting of *Auto* will allow autodetection to ensure optimal performance.

IV. BIOS SOFTWARE

Power Management Setup

This “Power Management Setup” option allows you to reduce power consumption. This feature turns off the video display and shuts down the hard disk after a period of inactivity.



Details of Power Management Setup:

Power Management (User Define)

This field acts as the master control for the power management modes. *User Define* allows you to set power saving options according to your preference; *Disable* disables the power saving features; *Min Saving* puts the system into power saving mode after a long period of system inactivity; *Max Saving* puts the system into power saving mode after a brief period of system inactivity.

IMPORTANT: Advanced Power Management (APM) should be installed to keep the system time updated when the computer enters suspend mode activated by the BIOS Power Management. For DOS environments, you need to add `DEVICE=C:\DOS\POWER.EXE` in you `CONFIG.SYS`. For Windows 3.1x and Windows 95, you need to install Windows including the APM feature. A battery and power cord icon labeled "Power" will appear in the “Control Panel.” Choose “Advanced” in the Power Management Field.

Video Off Option (Susp,Stby -> Off)

This field determines when to activate the video off feature for monitor power management. The settings are *Susp,Stby -> Off*, *All Modes -> Off*, *Always On*, and *Suspend -> Off*.

Video Off Method (DPMS OFF)

This field defines the video off features. The following options are available: *DPMS OFF*, *DPMS Reduce ON*, *Blank Screen*, *V/H SYNC+Blank*, *DPMS Standby*, and *DPMS Suspend*. The DPMS (Display Power Management System) features allow the BIOS to control the video display card if it supports the DPMS feature. *Blank Screen* only blanks the screen (use this for monitors without power management or “green” features. If set up in your system, your screen saver will not display with *Blank Screen* selected). *V/H SYNC+Blank* blanks the screen and turns off vertical and horizontal scanning.

IV. BIOS SOFTWARE

Suspend Switch

This field enables or disables the SMI connector on the motherboard. This connector connects to the lead from the Suspend switch mounted on the system case. Default setting for this field is *Enable*.

Doze Speed (div by), Stdby Speed (div by)

These two fields set the CPU speed during each mode. The number indicates what the normal CPU speed is divided by.

PM Timers

This section controls the time-out settings for the Power Management scheme. The fields included in this section are “HDD Power Down”, which places the hard disk into its lowest power consumption mode, and the Doze Mode, Standby Mode and Suspend Mode.

The system automatically “wakes up” from any power saving mode when there is system activity such as when a key is pressed from the keyboard, or when there is activity detected from the enabled IRQ channels.

HDD Power Down shuts down any IDE hard disk drives in the system after a period of inactivity. This time period is user-configurable to *Disable* or from *1 Min* to *15 Min*. This feature does not affect SCSI hard drives.

The **Doze Mode**, **Standby Mode**, and **Suspend Mode** fields set the period of time after which each of these modes activate: *30 sec, 1 Min, 2 Min, 4 Min, 8 Min, 20 Min, 30 Min, 40 Min, 1 Hour*.

PM Events

This section sets the wake-up call of the system. If activity is detected from any enabled IRQ channels in the left-hand group, the system wakes up from suspended mode. You can enable power management for IRQ 3-IRQ15 individually in the list at the right of the screen. The power management feature will work on the enabled IRQ channels.

NOTE: A Microsoft serial mouse or compatible will use either COM1 (IRQ4) or COM2 (IRQ3), and a PS/2 mouse will use IRQ12. If you know which IRQ your mouse is using, you can enable the wake-up Event for that IRQ here and the system will wake up when you move the mouse or click its button.

.....

IRQ3 (device)-IRQ15 (device)

You can individually *Enable* or *Disable* each IRQ to include in the sleep function. IRQ8 (RTC Alarm) is usually set to *Disable* so that any software alarm clock or event calendar can wake up the system.

IV. BIOS SOFTWARE

PNP and PCI Setup

This “PNP and PCI Setup” option configures the PCI bus slots. All PCI bus slots on the system use INTA#, thus all installed PCI cards must be set to this value.



PNP OS Installed

This field allows you to use a Plug-and-Play (PnP) operating system to configure the PCI bus slots instead of using the BIOS. Default setting is *No*.

Slot 1 (RIGHT) IRQ to Slot 4 (LEFT) IRQ

These fields set how IRQ use is determined for each PCI slot. The default setting for each field is *Auto*, which uses auto-routing to determine IRQ use. The other options are manual settings of *NA*, *5*, *7*, *9*, *10*, *11*, *12*, *14* or *15* for each slot.

PCI Latency Timer

The default setting of “32 PCI Clock” enables maximum PCI performance for this motherboard.

IRQ xx Used By ISA

These fields indicate whether or not the displayed IRQ for each field is being used by a legacy (non-PnP) ISA card. Two options are available: *No/ICU* and *Yes*. The first option, the default value, indicates either that the displayed IRQ is not used or an ISA Configuration Utility (ICU) is being used to determine if an ISA card is using that IRQ. If you install a legacy ISA card that requires a unique IRQ, and you are not using an ICU, you must set the field for that IRQ to *Yes*. For example: If you install a legacy ISA card that requires IRQ 10, then set **IRQ10 Used By ISA** to *Yes*.

.....

IV. BIOS SOFTWARE

DMA x Used By ISA

These fields indicate whether or not the displayed DMA channel for each field is being used by a legacy (non-PnP) ISA card. Available options include: *No/ICU* and *Yes*. The first option, the default setting, indicates either that the displayed DMA channel is not used or an ICU is being used to determine if an ISA card is using that channel. If you install a legacy ISA card that requires a unique DMA channel, and you are not using an ICU, you must set the field for that channel to *Yes*.

ISA MEM Block BASE

This field allows you to set the base address and block size of a legacy ISA card that uses any memory segment within the C800H and DFFFH address range. If you have such a card, and you are not using an ICU to specify its address range, select a base address from the six available options; the **ISA MEM Block SIZE** field will then appear for selecting the block size. If you have more than one legacy ISA card in your system that requires to use this address range, you can increase the block size to either 8K, 16K, 36K, or 64K. If you are using an ICU to accomplish this task, leave **ISA MEM Block BASE** to its default setting of *No/ICU*.

SYMBIOS SCSI BIOS

The default uses *Auto* settings for the onboard SCSI BIOS. If you do not want to use the onboard SCSI BIOS, choose *Disabled*

USB Function

This motherboard supports Universal Serial Bus (USB) devices but current operating systems do not. The default is set to *Disabled* until support disks and USB devices are available in which time you can set this function to *Enabled*.

IV. BIOS SOFTWARE

Load BIOS Defaults

This “Load BIOS Defaults” option allows you to load the troubleshooting default values permanently stored in the BIOS ROM. These default settings are non-optimal and disable all high performance features. To load these default settings, highlight “Load BIOS Defaults” on the main screen and then press the <Enter> key. The system displays a confirmation message on the screen. Press the <Y> key and then the <Enter> key to confirm. Press the <N> key and then the <Enter> key to abort. This feature does not affect the fields on the Standard CMOS Setup screen.

Load Setup Defaults

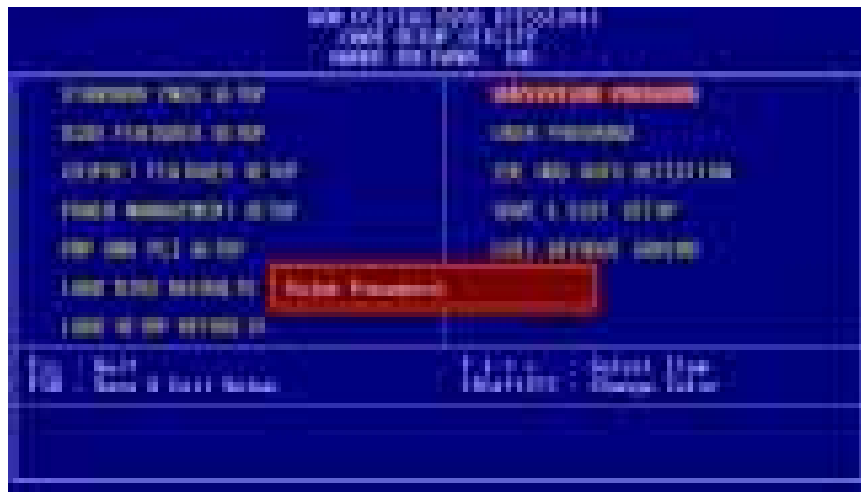
This “Load Setup Defaults” option allows you to load the default values to the system configuration fields. These default values are the optimized configuration settings for the system. To load these default values, highlight “Load Setup Defaults” on the main screen and then press <Enter>. The system displays a confirmation message on the screen. Press <Y> and then <Enter> to confirm. Press <N> and then <Enter> to abort. This feature does not affect the fields on the Standard CMOS Setup screen.



IV. BIOS SOFTWARE

Supervisor Password and User Password

These two options set the system passwords. “Supervisor Password” sets a password that will be used to protect the system and the Setup utility; “User Password” sets a password that will be used exclusively on the system. By default, the system comes without any passwords. To specify a password, highlight the type you want and then press <Enter>. A password prompt appears on the screen. Taking note that the password is case sensitive, and can be up to 8 alphanumeric characters long, type in your password and then press <Enter>. The system confirms your password by asking you to type it again. After setting a password, the screen automatically reverts to the main screen.



To implement the password protection, specify in the “Security Option” field of the BIOS Features Setup screen when the system will prompt for the password. If you want to disable either password, press <Enter> instead of entering a new password when the “Enter Password” prompt appears. A message confirms the password has been disabled.

NOTE: If you forget the password, see CMOS RAM in section III for procedures on clearing the CMOS.

IV. BIOS SOFTWARE

IDE HDD Auto Detection

This “IDE HDD Auto Detection” option detects the parameters of an IDE hard disk drive, and automatically enters them into the Standard CMOS Setup screen.



Up to four IDE drives can be detected, with parameters for each listed inside the box. To accept the optimal entries, press <Y>, otherwise select from the numbers displayed under the OPTIONS field (2, 1, 3 in this case); to skip to the next drive, press <N>. If you accept the values, the parameters will appear listed beside the drive letter on the screen. The process then proceeds to the next drive letter. Pressing <N> to skip rather than to accept a set of parameters causes the program to enter zeros after that drive letter.

IV. BIOS
(Hard Drive Detect)

Remember that if you are using another IDE controller that does not feature Enhanced IDE support for four devices, you can only install two IDE hard disk drives. Your IDE controller must support the Enhanced IDE features in order to use Drive E and Drive F. The onboard PCI IDE controller supports Enhanced IDE, with two connectors for connecting up to four IDE devices. If you want to use another controller that supports four drives, you must disable the onboard IDE controller in the Chipset Features Setup screen.

When autodetection is completed, the program automatically enters all entries you accepted on the field for that drive in the Standard CMOS Setup screen. Skipped entries are ignored and are not entered in the screen.

If you are autodetecting a hard disk that supports the LBA mode, three lines will appear in the parameter box. Choose the line that lists LBA for an LBA drive. Do not select Large or Normal.

The autodetection feature can only detect one set of parameters for a particular IDE hard drive. Some IDE drives can use more than one set. This is not a problem if the drive is new and there is nothing on it.

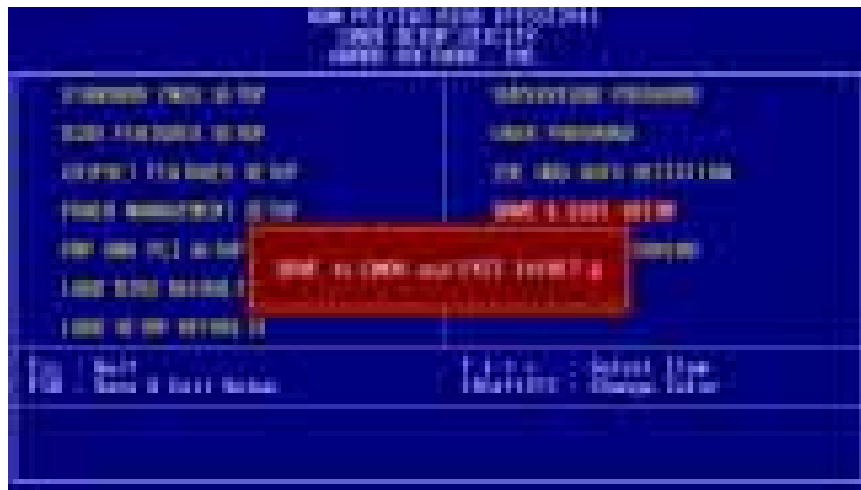
IV. BIOS SOFTWARE

IMPORTANT: If your hard disk was already formatted on an older previous system, incorrect parameters may be detected. You will need to enter the correct parameters manually or use low-level format if you do not need the data stored on the hard drive.

If the parameters listed differ from the ones used when the drive was formatted, the drive will not be readable. If the auto-detected parameters do not match the ones that should be used for your drive, do not accept them. Press <N> to reject the presented settings and enter the correct ones manually from the Standard CMOS Setup screen.

Save & Exit Setup

Select this option to save into the CMOS memory all modifications you specified during the current session. To save the configuration changes, highlight the “Save & Exit Setup” option on the main screen and then press <Enter>.



IV. BIOS
(Save & Exit)

Exit Without Saving

Select this option to exit the Setup utility without saving the modifications you specify during the current session. To exit without saving, highlight the “Exit Without Saving” option on the main screen and then press <Enter>.

(This page was intentionally left blank)

V. DESKTOP MANAGEMENT

Desktop Management Interface (DMI)

Introducing the ASUS DMI Configuration Utility

This motherboard supports DMI within the BIOS level and provides a DMI Configuration Utility to maintain the Management Information Format Database (MIFD). DMI is able to auto-detect and record information pertinent to a computer's system such as the CPU type, CPU speed, and internal/external frequencies, and memory size. The onboard BIOS will detect as many system information as possible and store those collected information in a 4KB block in the motherboard's Flash EPROM and allow the DMI to retrieve data from this database. Unlike other BIOS software, the BIOS on this motherboard uses the same technology implemented for Plug and Play to allow dynamic real-time updating of DMI information versus creating a new BIOS image file and requiring the user to update the whole BIOS. This DMI Configuration Utility also allows the system integrator or end user to add additional information into the MIFD such as serial numbers, housing configurations, and vendor information. Those information not detected by the motherboard BIOS and has to be manually entered through the DMI Configuration Utility and updated into the MIFD. This DMI Configuration Utility provides the same reliability as PnP updating and will prevent the refreshing failures associated with updating the entire BIOS.

System Requirements

The motherboard BIOS must support DMI. The following motherboards do not support DMI:

- P/I-P6RP4 (not supported)
- PCI/E-P54NP4 (not supported)
- PCI/I-P54NP4D (not supported)

The DMI Configuration Utility (DMICFG.EXE) must be ran in real mode in order for the program to run, the base memory must be at least 180K. Memory managers like HIMEM.SYS (required by windows) must not be installed. You can boot up from a system diskette without AUTOEXEC.BAT and CONFIG.SYS files, "REM" HIMEM.SYS in the CONFIG.SYS, or press <F5> during bootup to bypass your AUTOEXEC.BAT and CONFIG.SYS files.

V. DESKTOP MANAGEMENT

Using the ASUS DMI Configuration Utility

Edit DMI (or delete)



Use the ←→ (left-right) cursors to move the top menu items and the ↑↓ (up-down) cursor to move between the left hand menu items. The bottom of the screen will show the available keys for each screen. Press enter at the menu item to enter the right hand screen for editing. “Edit component” appears on top. The reversed color field is the current cursor position and the blue text are available for editing. The orange text shows auto-detected information and are not available for editing. The blue text “Press [ENTER] for detail” contains a second pop-up menu is available, use the + - (plus-minus) keys to change the settings. Enter to exit *and save*, ESC to exit *and not save*.

If the user has made changes, ESC will prompt you to answer Y or N. Enter Y to go back to the left-hand screen *and save*, enter N to go back to left-hand screen and *not save*. If editing has not been made, ESC will send you back to the left hand menu without any messages.

Notes:

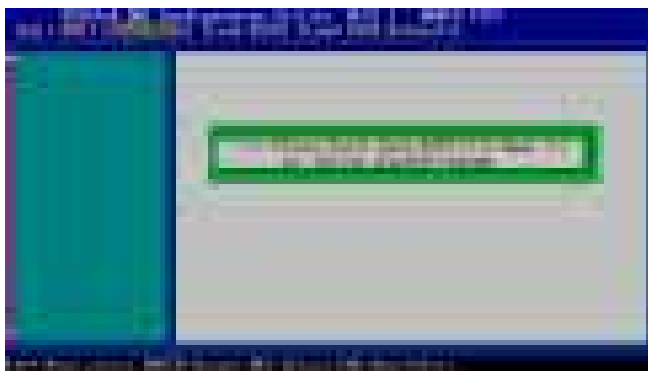
A heading, *** BIOS Auto Detect *** appears on the right for each menu item on the left side that has been auto detected by the system BIOS.

A heading, *** User Modified *** will appear on the right for menu items that has been modified by the user.



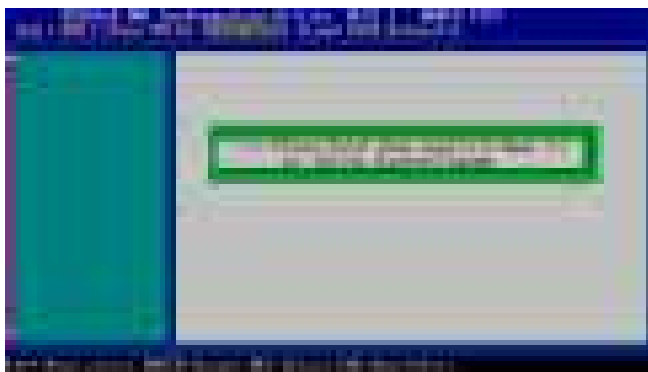
V. DESKTOP MANAGEMENT

Save MIFD



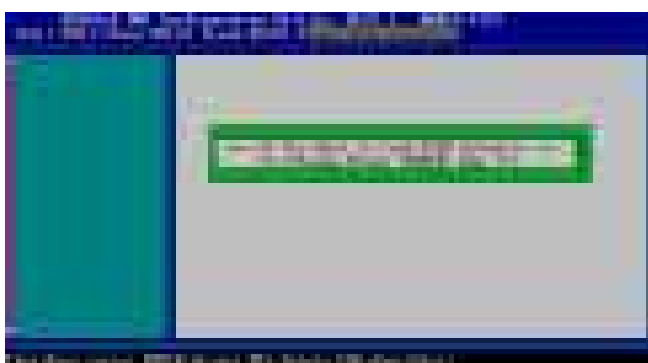
You can save the MIFD (normally only saved to flash ROM) to a file by entering the drive and path here. If you want to cancel save, you may press ESC and a message “Bad File Name” appears here to show it was not saved.

Load MIFD



You can load the disk file to memory by entering a drive and path and file name here.

Load BIOS Defaults



You can load the BIOS defaults from a MIFD file and can clear all user modified and added data. You must reboot your computer in order for the defaults to be saved back into the Flash BIOS.

(This page was intentionally left blank)

VI. ASUS PCI SCSI Cards

Symbios SCSI BIOS and Drivers

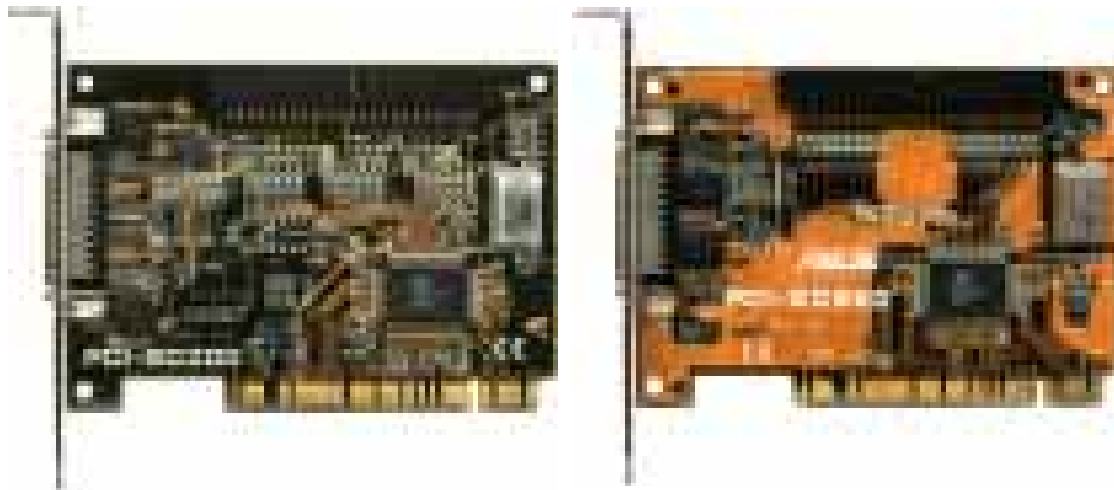
Aside from the system BIOS, the Flash memory chip on the motherboard also contains the Symbios SCSI BIOS. This Symbios SCSI BIOS works in conjunction with the optional ASUS PCI-SC200 controller card to provide Fast SCSI-2 interface when using compatible SCSI devices or the ASUS PCI-SC860 SCSI controller cards to provide Ultra-Fast SCSI-2 interface when using Ultra-Fast SCSI-2 devices.

All SCSI devices you install on your system require driver software to function. The Symbios SCSI BIOS directly supports SCSI hard disks under the DOS, Windows and OS/2 environments. It also uses device drivers from the DOS floppy disk included in the ASUS PCI-SC200 and ASUS PCI-SC860 controller card packages to support hard disks and other SCSI devices working under DOS, Microsoft Windows, Microsoft Windows NT, Novell NetWare and IBM OS/2. These drivers provide higher performance than the direct BIOS support. To use these drivers, you must install them into your system and add them to your system configuration files. Driver support for SCSI devices used with SCO UNIX is also provided. These drivers are included in the second SCO UNIX floppy disk. Windows 95 support is also available using the device drivers included within the Windows software. The ASUS PCI-SC200 and ASUS PCI-SC860 are Plug and Play adapters that are auto detected by BIOS and current operating systems that support Plug and Play features.

For information about these drivers and their usage, please view the Readme files included in the driver packages.

ASUS PCI-SC200 & PCI-SC860 SCSI Cards

The ASUS PCI-SC200 or the ASUS PCI-SC860 may be bundled with your motherboard or purchased separately. Both cards provide the option of connecting internal or external SCSI devices for a total of 7 devices on each SCSI card.



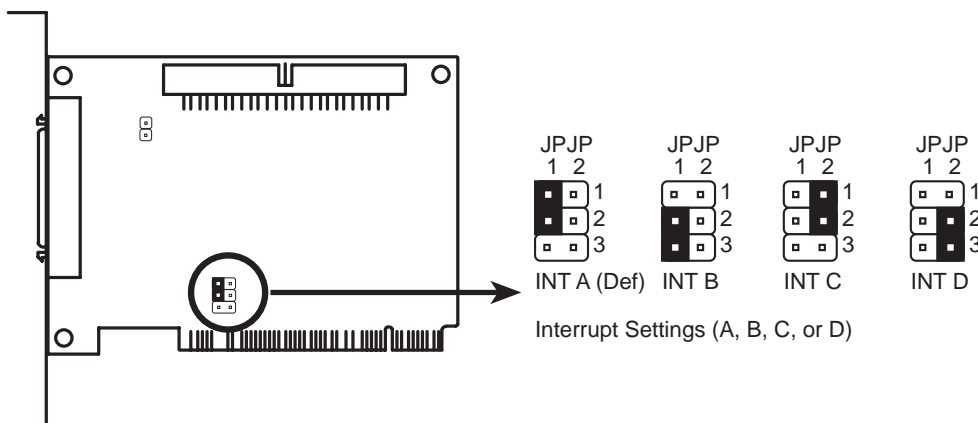
VI. ASUS PCI SCSI Cards

Setting Up the ASUS PCI-SC200 & PCI-SC860

There are two jumper settings you may need to make on the ASUS PCI-SC200 to set it up. One setting assigns the PCI INT interrupt, the other sets the card's termination. The ASUS PCI-SC860 has no jumper settings but you should read the "Terminator Requirements."

Setting the INT Assignment for the ASUS PCI-SC200

You must use PCI INT A setting in order to properly assign the ASUS PCI-SC200's interrupt. On the ASUS PCI-SC200, you assign the INT by setting jumper JP1 or JP2. The default setting for the card already is INT A, so you do not need to change the setting to use the ASUS PCI-SC200 with this motherboard.



Terminator Requirements for SCSI Devices

SCSI devices are connected together in a "chain" by cables. Internal devices connect to the ASUS PCI-SC200 or ASUS PCI-SC860 with a fifty-pin flat ribbon cable. External devices connect to the external port with a SCSI-2 cable. If there are more than one internal or external devices, additional devices are connected with cables to form a "daisy chain." Terminating the devices on the ends of the SCSI Bus "chain" is necessary for SCSI devices to work properly. Termination of the devices between the ends must be *Disabled*.

VI. ASUS PCI SCSI Cards

Terminator Settings for the ASUS PCI-SC860

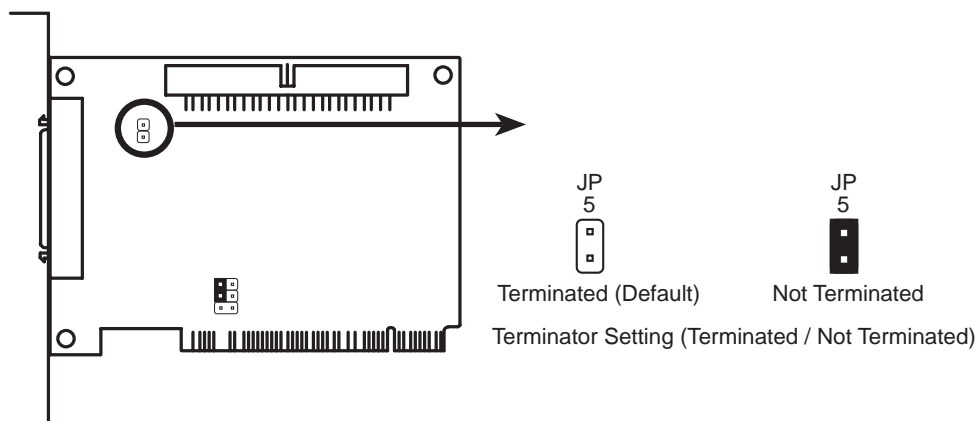
Many SCSI devices including the ASUS PCI-SC860 use a set of onboard terminating resistors to terminate the devices at the ends automatically. Automatic termination requires that the SCSI devices be connected in a straight linear connection or "chain." Connect SCSI devices to one or two of the SCSI connectors in a linear "chain" for auto termination of the ASUS PCI-SC860 to be effective. Other formations will cause your SCSI devices to not mount properly. You must use the **end** of the ribbon cable when using the internal connector(s) to keep a linear path.

Additional Note: The Symbios Logic SCSI Configuration Utility is a powerful tool. If, while using it, you somehow disable all your controllers or cannot enter the configuration utility, pressing "Ctrl-A" after memory count during reboot allows you to recover and reconfigure.

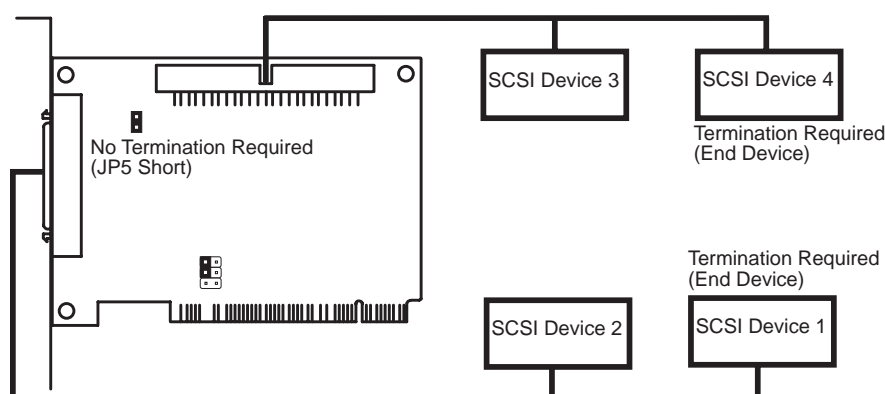
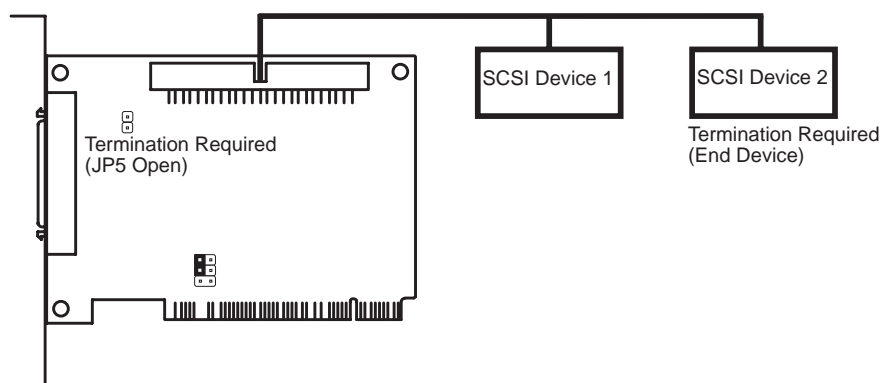
Terminator Settings for the ASUS PCI-SC200

The ASUS PCI-SC200, on the other hand, has "active" termination that you must set using jumper JP5. There are two settings, "terminated" and "not terminated," as shown below.

Decide whether or not you need to terminate the ASUS PCI-SC200 based on its position in the SCSI chain. Only the devices at each end of the chain need to be terminated. If you have **only** internal or **only** external devices connected to the ASUS PCI-SC200, then you **must** terminate the ASUS PCI-SC200. If you have **both** internal and external devices connected, you **must not** terminate the card. See the following example which illustrates this concept.



VI. ASUS PCI SCSI Cards



SCSI ID Numbers for SCSI Devices

All SCSI devices, including the ASUS PCI-SC200 and ASUS PCI-SC860 interface card must have a SCSI identification number that is not in use by any other SCSI device. There are eight possible ID numbers, 0 through 7. The ASUS PCI-SC200 and ASUS PCI-SC860 cards have fixed SCSI IDs of 7. The SCSI ID serves two purposes:

- It uniquely defines each SCSI device on the bus.
- It determines which device controls the bus when two or more devices try to use it at the same time.

SCSI IDs on one channel do not interfere with the IDs on another channel. This applies to two SCSI host adapters that implement different buses as well as dual channels on a single host adapter. You can connect up to seven SCSI devices to the interface card. You must set a SCSI ID number (ID 0 to ID 6) for each device. SCSI devices vary in how they set the ID number. Some use jumpers, others have some kind of selector switch. Refer to the manual for any device you install for details on how to set its ID number.

SCSI ID Priority

The ASUS PCI-SC200 and ASUS PCI-SC860 are 8bit single-channel SCSI cards. SCSI ID 7 has the highest priority, and SCSI ID 0 has the lowest priority.

VII. ASUS I-A16C Audio Card

NOTE: The ASUS I-A16C 16-bit ISA audio card comes with certain motherboard packages and is not for sale separately.

ASUS I-A16C Audio Features

- Creative Labs ViBRA 16C PnP Audio Chip
- Full Duplex Supports
- 16/8 bit PCM 5KHz to 44.1KHz
- Wave Table Upgradeable
- Software Includes:
 - DOS and Window 3.1 Drivers
 - Windows 95 Driver
 - Wave Editor
 - Wave OLE
 - Quick CD
 - Mixer Control
 - Quick Player

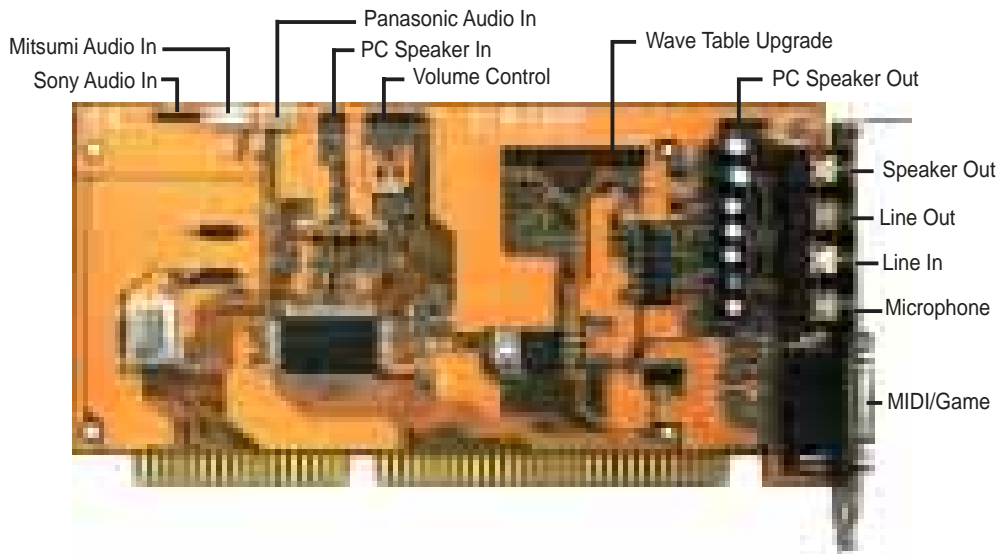
Unpacking and Handling Precautions

CAUTION: Keep the ASUS I-A16C stored in its anti-static bag until you are ready to install it in your system. The ASUS I-A16C is easily damaged by static electricity. Observe the following precautions while unpacking and handling the board:

- Before handling the board, discharge static electricity from your body by touching an unpainted area of the system's metal chassis. While installing the board, ground yourself frequently to discharge any static electricity that may accumulate in your body.
- After removing the board from the anti-static bag, place it on a grounded surface with the components facing up.
- Check the board for damage. If any socketed component appears loose, press firmly but carefully to seat the chip in its socket. Otherwise, avoid touching the components on the board. Always handle the board by the edges.

VII. ASUS I-A16C Audio Card

Layout and Connectors



VII. ASUS I-A16C
(Layout / Connectors)

Connectors

The audio input connectors are used when you wish to control software mixer settings (bass, treble, volume, etc.) for audio CD's that are played with your CD-ROM. If the "Audio Out" from the CD-ROM is not connected to the "Audio In" on the card, you can only use the direct output located in the front panel of the CD-ROM and adjust volume level by the knob.

CD-Audio Connector Pin Definitions

<i>Sony Audio In</i>	<i>Mitsumi Audio In</i>	<i>Panasonic Audio In</i>
<u>Pin</u> <u>Definition</u>	<u>Pin</u> <u>Definition</u>	<u>Pin</u> <u>Definition</u>
1 Right Signal	1 Ground	1 Left Signal
2 Ground	2 Left Signal	2 Ground
3 Ground	3 Ground	3 Right Signal
4 Left Signal	4 Right Signal	-- ----

<i>PC Speaker In</i>	<i>PC Speaker Out</i>	<i>Volume Control</i>
<u>Pin</u> <u>Definition</u>	<u>Pin</u> <u>Definition</u>	<u>Pin</u> <u>Definition</u>
1 Mono Signal	1 Right Signal	1 Ground
2 Ground	2 Ground	2 Volume Up
-- ----	3 Left Signal	3 Ground
-- ----	4 Ground	4 Volume Down
-- ----	-- ----	5 Ground

Free Manuals Download Website

<http://myh66.com>

<http://usermanuals.us>

<http://www.somanuals.com>

<http://www.4manuals.cc>

<http://www.manual-lib.com>

<http://www.404manual.com>

<http://www.luxmanual.com>

<http://aubethermostatmanual.com>

Golf course search by state

<http://golfingnear.com>

Email search by domain

<http://emailbydomain.com>

Auto manuals search

<http://auto.somanuals.com>

TV manuals search

<http://tv.somanuals.com>