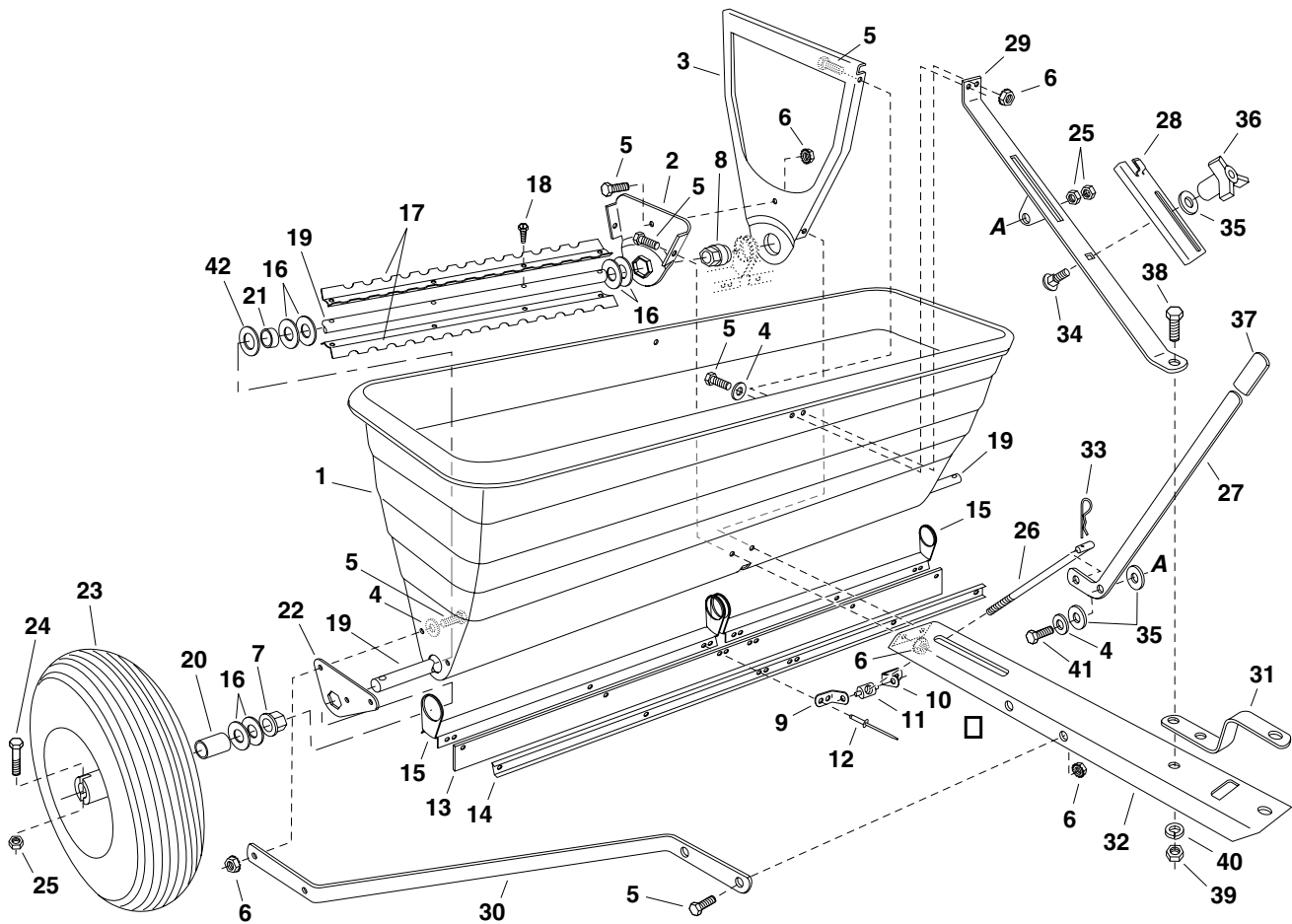


REPAIR PARTS FOR 175 LB. DROP SPREADER MODEL 45-0288



REF. NO.	PART NO.	QTY.	DESCRIPTION	REF. NO.	PART NO.	QTY.	DESCRIPTION
1	47451	1	Hopper	22	24534	2	Plate, Bearing
2	24536	1	Hopper Center Plate (Small)	23	44457	2	Wheel
3	24535	1	Hopper Center Plate (Large)	24	1509-69	2	Bolt, Hex 1/4-20 x 1-3/4" Lg.
4	43088	9	Washer, 1/4"	25	43013	4	Nut, Hex Lock 1/4-20 Thd.
5	43866	18	Bolt, Hex 1/4-20 x 5/8"	26	47457	1	Rod, Flow Control
6	46978	18	Nut, Hex (SIMS) 1/4-20 Thd.	27	24541	1	Arm, Flow Control
7	741-0245	2	Bearing, Flange	28	24542	1	Gauge, Flow Control
8	47484	1	Bearing, Hex Flange	29	63850	1	Brace Assembly, Hopper
9	24538	1	Bracket, Feed Plate (RH)	30	24532	2	Brace, Tongue
10	24539	1	Bracket, Feed Plate (LH)	31	23014	1	Hitch Bracket
11	47507	1	Ferrule	32	24531	1	Tongue
12	728-3001	8	Pop Rivet	33	47037	1	Pin, Hair Cotter 5/64"
13	47459	1	Skirt, 48"	34	44950	1	Bolt, Carriage 1/4-20 x 3/4" Lg.
14	47508	1	Retainer, Skirt	35	1543-69	3	Washer, Nylon
15	24537	2	Flow Plate	36	43849	1	Knob, Plastic 1/4-20 Thd.
16	43009	12	Washer	37	43848	1	Grip, Plastic
17	47259	4	Agitator Blade	38	43001	1	Bolt, Hex 3/8-16 x 1" Lg.
18	47476	16	Screw, #8-32 x 3/8" Lg.	39	43082	1	Nut, Hex Lock 3/8-16 Thd.
19	24540	2	Axle	40	43003	1	Lock Washer, 3/8"
20	46497	2	Spacer, Tube 1" OD x 1.2" Lg.	41	1509-90	1	Bolt, Hex 1/4-20 x 1-1/4" Lg.
21	47458	2	Spacer, 1.25" OD x .330" Lg.	42	43601	2	Washer, 1" ID x .06" Thick
					47462	1	Owners Manual

Free Manuals Download Website

<http://myh66.com>

<http://usermanuals.us>

<http://www.somanuals.com>

<http://www.4manuals.cc>

<http://www.manual-lib.com>

<http://www.404manual.com>

<http://www.luxmanual.com>

<http://aubethermostatmanual.com>

Golf course search by state

<http://golfingnear.com>

Email search by domain

<http://emailbydomain.com>

Auto manuals search

<http://auto.somanuals.com>

TV manuals search

<http://tv.somanuals.com>