



H A Harman International Company

# C 400 BL

## Boundary Layer Condenser Microphone

### Description

The AKG Model C 400 BL is a unidirectional boundary layer microphone intended for table top use. The microphone's frequency range has been tailored for speech applications through a gentle bass roll-off below 200 Hz and a slight high frequency peak centered at 6 kHz, with a gentle roll-off above that frequency.

The combination of both narrow pickup angle and frequency response limited to the voice range makes the microphone doubly insensitive to ambient noise, a design known as DNC (Dual Noise Canceling).

The microphone has a high sensitivity of 13.5 mV/Pa and is available with either a 3-pin XLR connector or a B-lock jack for the Model C 400 BL/1. The microphone is universally phantom powered over the range from 9 to 52 volts dc. Cable length is 5 feet (1.5 meters).

The microphone's matte black finish can be painted to match surrounding decor.



### Specifications

<b>Transducer Principle:</b>	Condenser prepolarized
<b>Frequency Range:</b>	40–14,000 Hz
<b>Polar Pattern:</b>	Hypercardioid
<b>Sensitivity at 1,000 Hz:</b>	13.5 mV/Pa (-37 dBV)
<b>Equivalent Noise Level:</b>	< 32 dB-A
<b>Sound Pressure Level for 1% THD:</b>	115 dB
<b>S/N Ratio (A-weighted)</b>	> 62 dB
<b>Electr. Impedance:</b>	< 200 ohms
<b>Load Impedance:</b>	> 2,000 ohms
<b>Power Requirement:</b>	1.5 to 15 volts
<b>Connector:</b>	3-Pin XLR-type (B-Lock Jack for C 400 BL-1)
<b>Cable Length:</b>	5 ft. (1.5 m)
<b>Finish:</b>	Non-reflective black
<b>Size:</b>	1.7 x 0.9 x 0.5 in. (43 x 23 x 13 mm)
<b>Net Weight:</b>	0.2 oz. (5.5 g)
<b>Included Accessories:</b>	Clip-on mounting plate, Phantom power adapter (for C400BL)
<b>Optional Accessories:</b>	B 18 Battery power supply

### Features

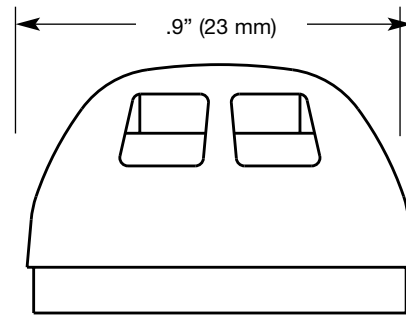
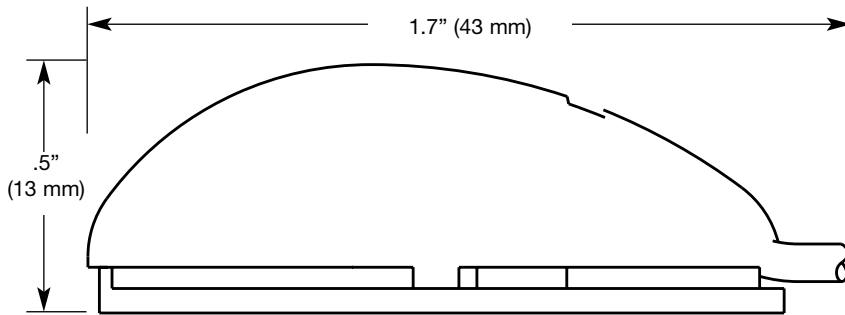
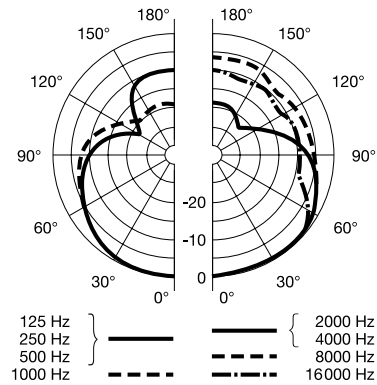
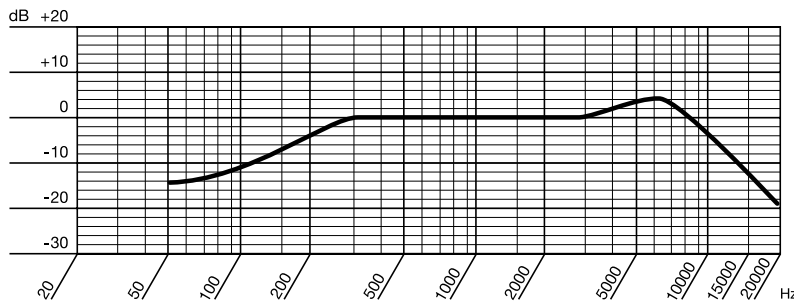
- Small & inconspicuous
- Speech optimized
- Unidirectional pickup
- Repaintable

# Architects and Engineers Specifications

The microphone shall be a unidirectional boundary layer microphone with frequency response tailored to the speech range (low frequency roll-off of 6 dB/octave below 300 Hz; high frequency roll-off above 7 kHz of 12 dB/octave, with a rise of 4 dB in the 6 kHz range). Microphone sensitivity shall be no less than 13.5 mV/Pa (-37 dBV), and the microphone's dynamic range shall be no less than 62 dB. Total harmonic distortion (THD) shall be no

greater than 1% at an acoustical operating level of 115 dB-A. Dimensionally, the microphone shall not exceed the envelope of 1.7 x 0.9 x 0.5 in. (43 x 23 x 13 mm), and the color shall be non-reflective black. The microphone shall be capable of operating with phantom power over the range from 9 to 52 volts dc. The microphone shall be the AKG Acoustics Model C 400 BL.

## Graphical Data



AKG is constantly improving and modifying its products, therefore, specifications are subject to change without notice.

### Limited Warranty

Valid only in the United States. AKG Acoustics warrants AKG products against defects in material or workmanship for a period of two years from the date of original purchase for use, and agrees to repair or, at our option, replace any defective unit without charge for either parts or labor. Important: This warranty does not cover damage resulting from accident, misuse or abuse, lack of reasonable care, the affixing of any attachment not provided with the product, loss of parts or connecting the product to any but the specified receptacles. This warranty is void unless service or repairs are performed by an authorized service center. No responsibility is assumed for any special, incidental

or consequential damages. However, the limitation of any right or remedy shall not be effective where such is prohibited or restricted by law. Simply take or ship your AKG product prepaid to our service department. Be sure to include your sales slip as proof of purchase date. (We will not repair transit damage under the no-charge terms of this warranty.) Note: No other warranty, written or oral is authorized by AKG Acoustics, Inc. This warranty gives you specific legal rights, and you may also have other rights which vary from state to state. Some states do not allow the exclusion or limitation of incidental or consequential damages or limitation on how long an implied warranty lasts, so the above exclusions and limitation may not apply to you.

Microphones · Headphones · Wireless Microphones · Wireless Headphones · Headsets · Electroacoustical Components



H A Harman International Company

**AKG Acoustics GmbH**  
Lemböckgasse 21-25, P.O.B. 158, A-1230  
Vienna/AUSTRIA  
Tel: (43 1) 86 654-0\*, Fax: (43 1) 86 654-516  
Internet: <http://www.akg.com>

**AKG Acoustics**; A Division of Harman Pro Germany  
Bodenseestraße 228, D-81243 München/GERMANY  
Tel: (089) 87 16-0, Fax: (089) 87 16-200

**Arbiter Pro Audio**  
Wilberforce Road, London NW9 6AX/ENGLAND  
Tel: (0181) 202 1199, Fax: (0181) 202 7076

**AKG ACOUSTICS, U.S.**  
914 Airpark Center Drive  
Nashville, TN 37217, U.S.A.  
Tel: (615) 620-3800, Fax: (615) 620-3875

**Studer Japan Ltd.**  
2-43-7, Uehara, Shibuya-ku, Tokyo 151-0064/JAPAN  
Tel: (813) 3465-2211, Fax: (813) 3465-2214

**Erikson Pro Audio**  
620 McCaffrey, St-Laurent, Quebec, H4T 1N1, CANADA  
Tel: (514) 738-3000, Fax: (514) 737-5069  
Internet: [www.jam-ind.com/eriksonpro](http://www.jam-ind.com/eriksonpro)

Specifications subject to change without notice.

DS-C 400 BL

Download from [Www.Somanuals.com](http://Www.Somanuals.com). All Manuals Search And Download.

## Free Manuals Download Website

<http://myh66.com>

<http://usermanuals.us>

<http://www.somanuals.com>

<http://www.4manuals.cc>

<http://www.manual-lib.com>

<http://www.404manual.com>

<http://www.luxmanual.com>

<http://aubethermostatmanual.com>

Golf course search by state

<http://golfingnear.com>

Email search by domain

<http://emailbydomain.com>

Auto manuals search

<http://auto.somanuals.com>

TV manuals search

<http://tv.somanuals.com>