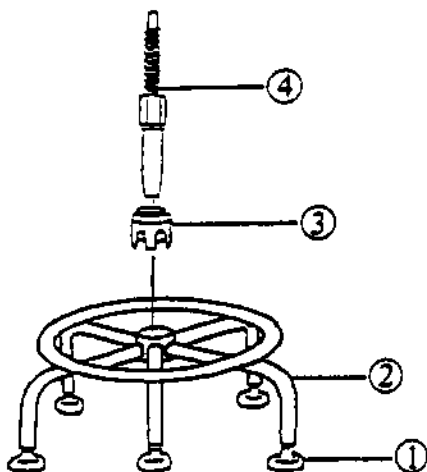




Assembly Instructions for "STANDARD" Chair No. DC888

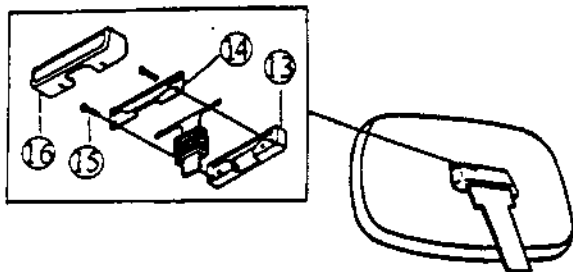
PARTS LIST

KEY	QTY	DESCRIPTION	KEY	QTY	DESCRIPTION	KEY	QTY	DESCRIPTION
1	5	GLIDE	7	6	M6xØ14x20mm MACHINE SCREW	12	1	BACKREST POST + PLASTIC COVER
2	1	BASE	8	1	KNOB FOR IN & OUT	13	1	PLASTIC HOLDER
3	1	BASE COVER	9	1	FLAT WASHER	14	1	STEEL PLATE
4	1	SEAT POST	10	1	LOCK WASHER	15	2	BACKREST SCREW
5	1	SEAT	11	1	BACKREST	16	1	PLASTIC COVER



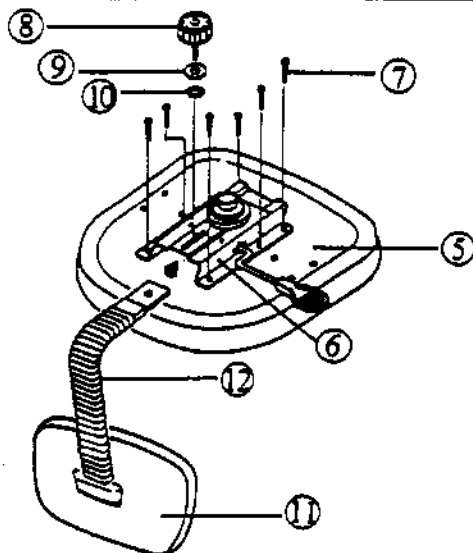
STEP 1.

- Insert (1) glides into (2) base. Place (3) base cover on (2) base. Insert (4) seat post into (2) base.



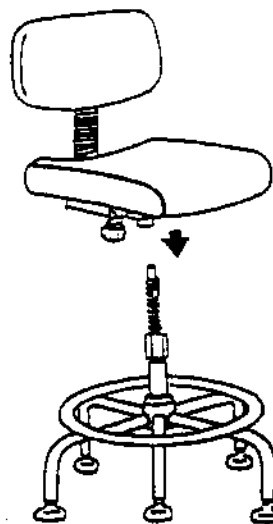
STEP 2.

- Place (13) plastic holder on (11) backrest aligning holes. Flush (12) backrest post + plastic cover (TOP) to (13) plastic holder. Attach (14) steel plate and (13) plastic holder to (11) backrest with (15) backrest screws. Snap (16) plastic cover on (13) plastic holder.



STEP 3.

- Align (8) mechanism to back of (5) seat and screw-in with (7) M6xØ14x20mm machine screws. Insert (12) backrest post + plastic cover into (5) mechanism. Securely tighten with (8) knob for in & out and (9) & (10) flat and lock washers. Adjust to desired position.



STEP 4.

- Place upper assembled portion of chair into (3) seat post.

Made in Taiwan



Alvin & Company, Inc. Bloomfield, CT Grand Prairie, TX

Download from www.Somanuals.com. All Manuals Search And Download.

Free Manuals Download Website

<http://myh66.com>

<http://usermanuals.us>

<http://www.somanuals.com>

<http://www.4manuals.cc>

<http://www.manual-lib.com>

<http://www.404manual.com>

<http://www.luxmanual.com>

<http://aubethermostatmanual.com>

Golf course search by state

<http://golfingnear.com>

Email search by domain

<http://emailbydomain.com>

Auto manuals search

<http://auto.somanuals.com>

TV manuals search

<http://tv.somanuals.com>