



MILLENNIUM DOLLY LOADER



Vertical Dolly Storage with Servo Lift
and Smooth Pneumatic Transfer

- The Millennium Dolly Loader is designed to receive a stack of filled bread/bun baskets from an AMF Automatic Bottom-up Basket Stacker or conveyor, gently transfer and place the stack of baskets on the dolly, and eject the loaded dolly for distribution.

FEATURES & BENEFITS

- Smooth basket lift and dolly lift through servo drives, air over oil has been eliminated
- Vertical loading dolly magazine significantly reduces floor space
- Smooth stack transfer from stacker or conveyor to dolly loading zone through a t-plate transfer system with a smooth belt drive and Nyoil roller transfer
- Can be integrated with a basket stacker or stand alone with conveyor
- Available in single and double stack configurations

MILLENNIUM DOLLY LOADER

MECHANICAL FEATURES

- Oil impregnated nylon basket stack transfer roller system for durable and smooth stack transfer
- Compact Design with significantly smaller footprint than old air over oil systems
- Significantly reduced parts count resulting in lower maintenance
- Left or right hand configurations
- Heavy duty framing and stainless steel guarding
- Servo driven basket lift with ability to pick up multiple basket handle positions
- "No Drop" stack transfer system provides smooth transfer of basket stack to the dolly
- Vertical dolly magazine for reduced floor space requirement
- Servo driven dolly lift to allow indexing of dollies one at a time



Oil Impregnated Nylon Basket Stack Transfer Roller System and Transfer Pusher for Durable and Smooth Stack Transfer



Operator Interface



Optional Stack Feed Conveyor

ELECTRICAL FEATURES

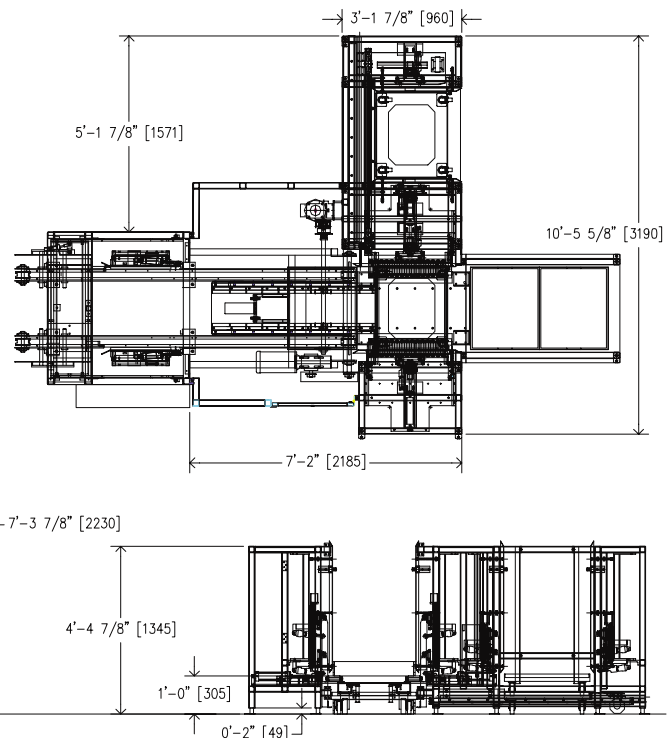
- Allen Bradley 550 operator interface control with product set-up and diagnostics
- Allen Bradley SLC 5/03 processor
- Allen Bradley 160 inverter drive for pusher
- 42" X 36" X 12" grey powder coated, machine mounted electrical panel

OPTIONS

- Stack feed conveyor
- PLC other than standard
- Operator interface other than standard
- Basket stacker integration
- Stainless steel electrical panel

SPECIFICATIONS

- Electrical requirements: 208/230/460 volts, 3 phases, 60 Hz
- Approximate shipping weight: 2500 lb.
- Approximate dimensions: 96" X 84" X 84"



HEADQUARTERS
 AMF Bakery Systems
 2115 West Laburnum Avenue
 Richmond, Virginia 23227
 1-800-225-3771
 or 804-355-7961
 FAX : 1-804-342-9724

EUROPEAN OPERATION
 West Park Ring Road
 Leeds LS16 6QQ England
 Tel. : 1132-787110
 Fax : 1132-741415
 sales@amfbakery.com

FOR MORE INFORMATION PLEASE CALL YOUR ACCOUNT MANAGER OR

1-800-BAKERS-1
www.amfbakery.com

Free Manuals Download Website

<http://myh66.com>

<http://usermanuals.us>

<http://www.somanuals.com>

<http://www.4manuals.cc>

<http://www.manual-lib.com>

<http://www.404manual.com>

<http://www.luxmanual.com>

<http://aubethermostatmanual.com>

Golf course search by state

<http://golfingnear.com>

Email search by domain

<http://emailbydomain.com>

Auto manuals search

<http://auto.somanuals.com>

TV manuals search

<http://tv.somanuals.com>