

# TP-1201

American DJ®

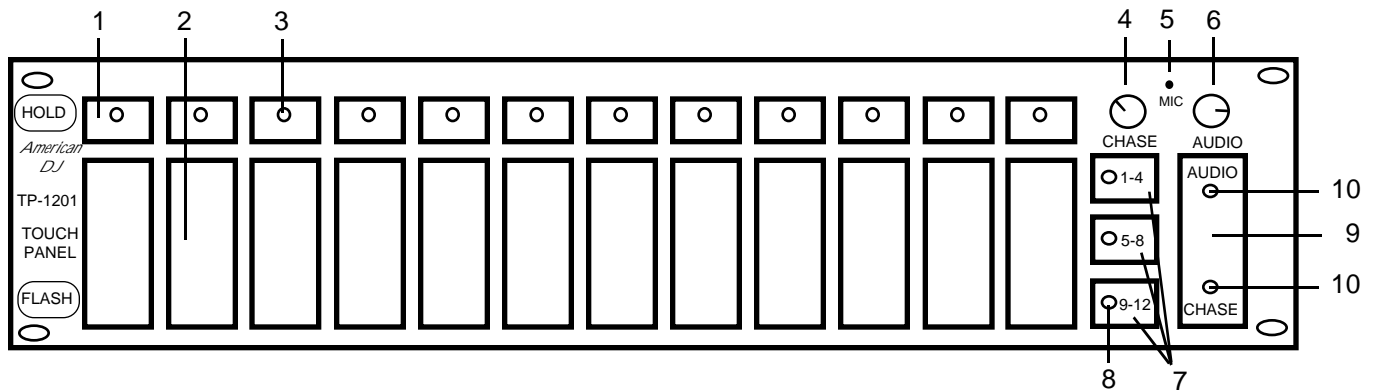
## 12-CHANNEL TOUCH CONTROL PANEL

(WITH CHASE FUNCTION)

### MAIN FUNCTIONS:

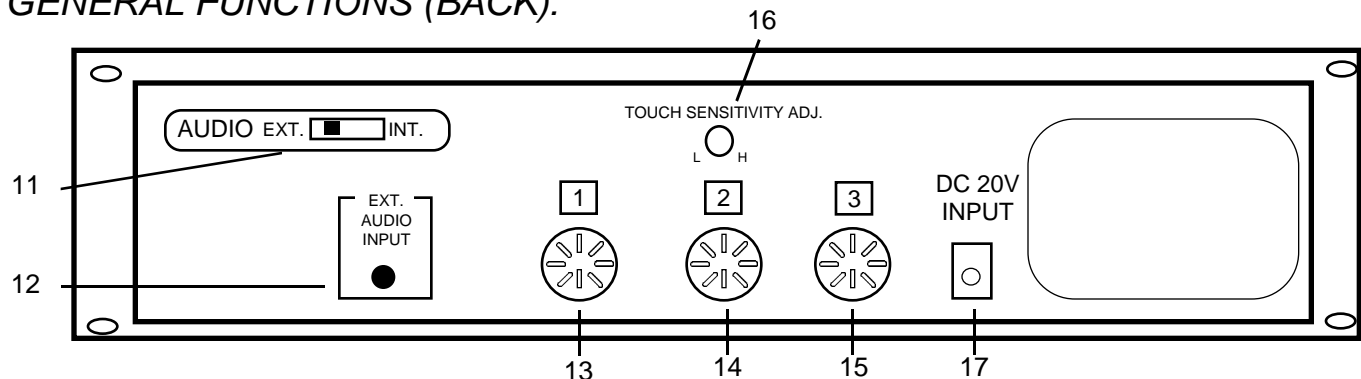
- 12CH 24 TOUCH SENSORS.
- FLASH AND HOLD MODES.
- 3 SETS OF SYNCHRONOUS OR RANDOM CHASE CONTROLS THAT CAN BE INDIVIDUALLY OPERATED.
- CHASE SPEED CONTROL.
- AUDIO SELECT INTERNAL OR EXTERNAL.

### GENERAL FUNCTIONS (FRONT):



1. HOLD MODE: Touch to turn channel on, Touch again to turn channel off.
2. FLASH BUTTON: Holds channel on while touching it.
3. CHANNEL INDICATOR LED: Indicates selection.
4. CHASE: Adjusts chase speed.
5. MIC: Internal microphone.
6. AUDIO: Audio sensitivity.
7. 1-4: Selects channels 1-4 to chase.  
5-8: Selects channels 5-8 to chase.  
9-12: Selects channels 9-12 to chase.
8. CHASE INDICATOR LED: Indicates selection.
9. AUDIO/CHASE: Push audio to select audio sensitive mode, push chase to select chase mode.
10. AUDIO/CHASE INDICATOR LED: Indicates selection.

### GENERAL FUNCTIONS (BACK):



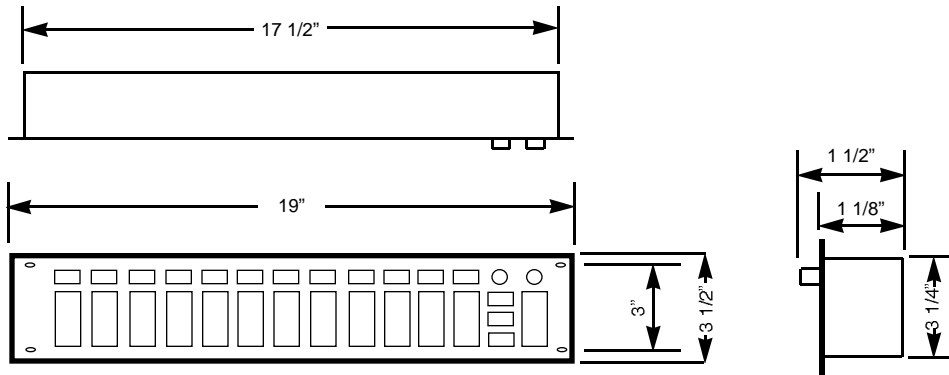
11. AUDIO EXT./INT. SWITCH: Select ext. to use the external audio line input jack, Select int. to use with internal microphone.
12. EXT. AUDIO INPUT: RCA jack to accommodate external connection for audio line input.
13. 8 PIN SIGNAL OUTPUT JACK FOR CHANNELS 9-12.
14. 8 PIN SIGNAL OUTPUT FOR CHANNELS 5-8.
15. 8 PIN SIGNAL OUTPUT FOR CHANNELS 1-4.
16. TOUCH SENSITIVITY ADJ. POT: To adjust hold and flash pads on panel.
17. DC 20V INPUT: To use external power supply.

# TP-1201

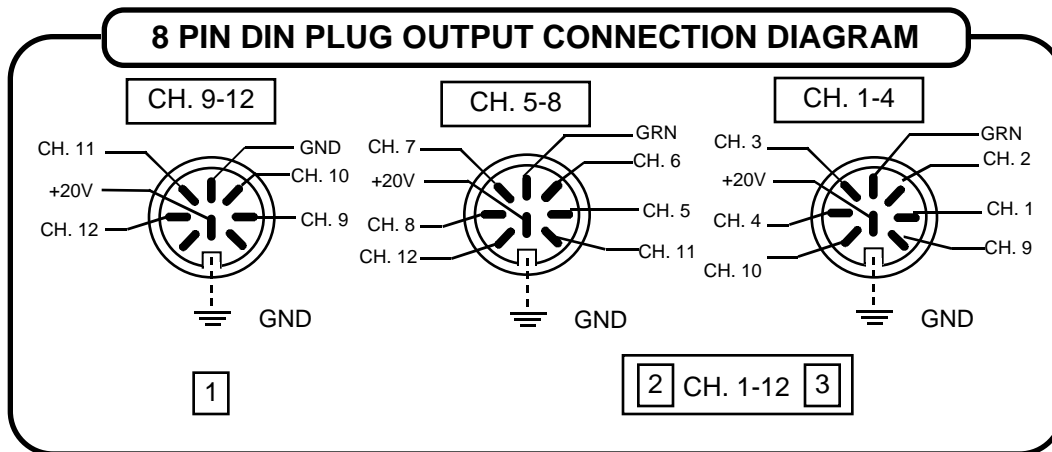
*American DJ®*

## SPECIFICATIONS:

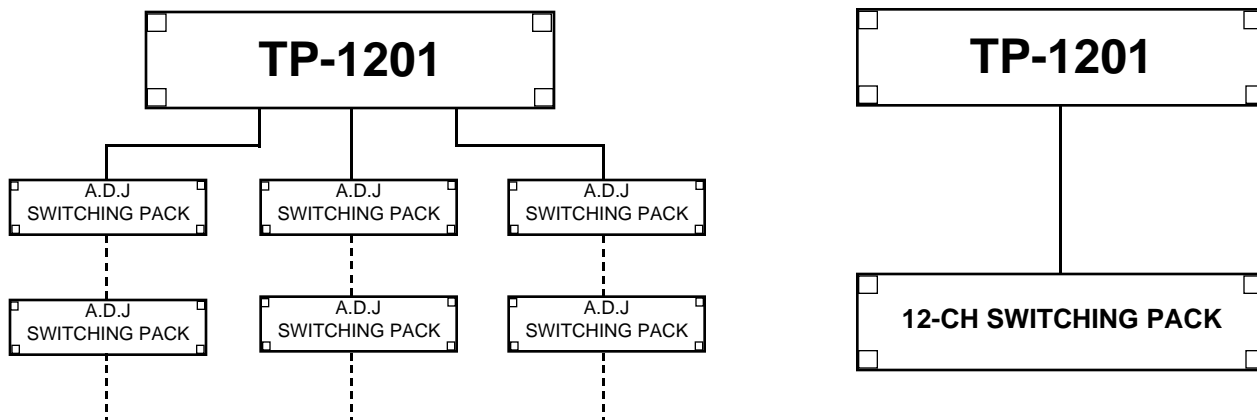
1. POWER INPUT : DC +20V.
2. SIGNAL OUTPUT : "ON" DC +10V; "OFF" DC +0V
3. WEIGHT : 29 oz.
4. DIMENSION : ( unit : inches )



## CONNECTIONS:



## CONNECTED TO POWER PACK:



## Free Manuals Download Website

<http://myh66.com>

<http://usermanuals.us>

<http://www.somanuals.com>

<http://www.4manuals.cc>

<http://www.manual-lib.com>

<http://www.404manual.com>

<http://www.luxmanual.com>

<http://aubethermostatmanual.com>

Golf course search by state

<http://golfingnear.com>

Email search by domain

<http://emailbydomain.com>

Auto manuals search

<http://auto.somanuals.com>

TV manuals search

<http://tv.somanuals.com>