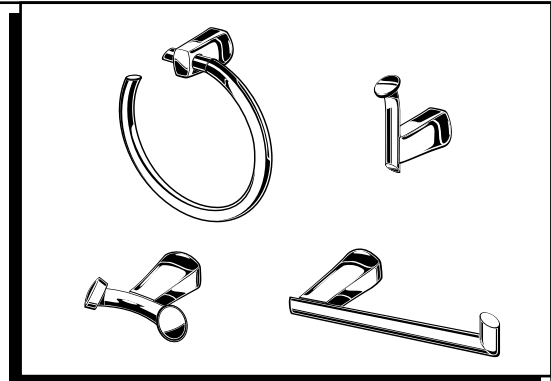


GREEN TEA ACCESSORIES

- TOWEL RING
- ROBE HOOK
- DOUBLE ROBE HOOK
- TISSUE HOLDER

- 7010.190
- 7010.210
- 7010.211
- 7010.230



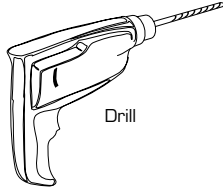
Certified to comply with ANSI A112.18.1

M968630 Rev. 1.1

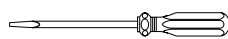
Recommended Tools



Tape Measure



Drill



Regular Screwdriver



Phillips Screwdriver

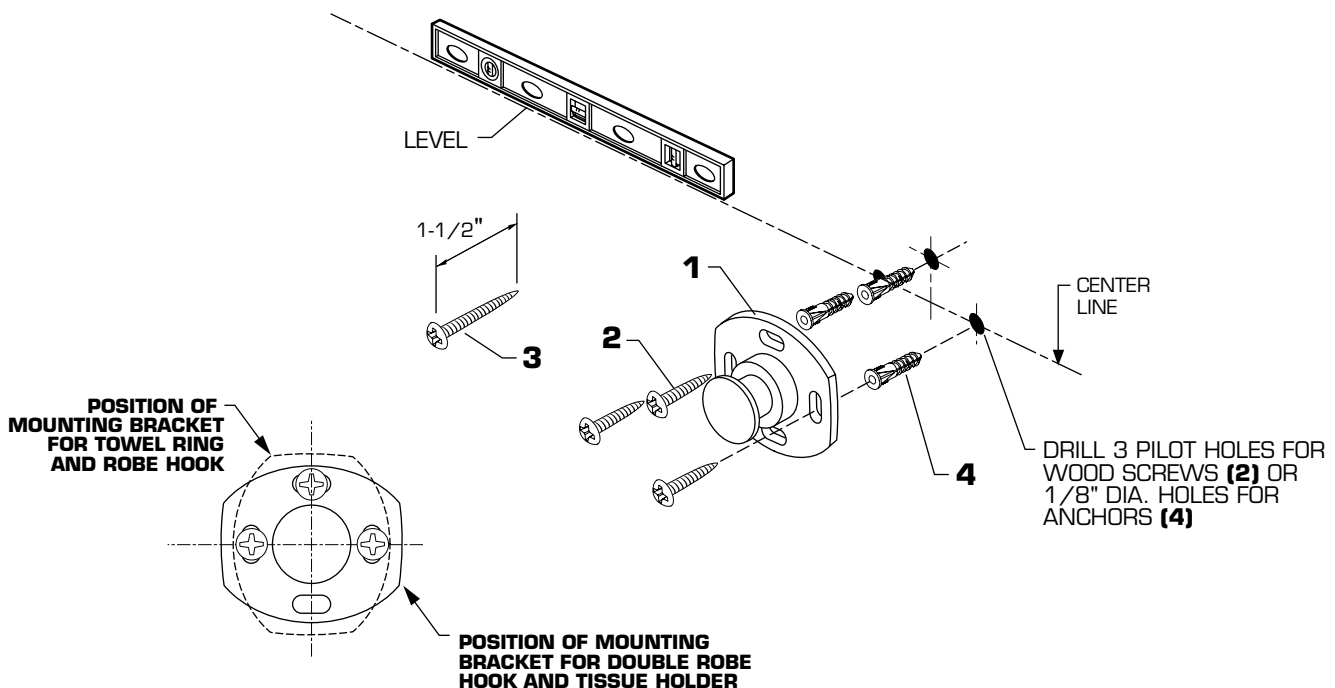
CARE INSTRUCTIONS:

DO: SIMPLY RINSE THE PRODUCT CLEAN WITH CLEAR WATER. DRY WITH A SOFT COTTON FLANNEL CLOTH.

DO NOT: CLEAN THE PRODUCT WITH SOAPS, ACID, POLISH, ABRASIVES, HARSH CLEANERS, OR A CLOTH WITH A COARSE SURFACE.

1 TOWEL RING, ROBE HOOK and TISSUE HOLDER MOUNTING BRACKET INSTALLATION

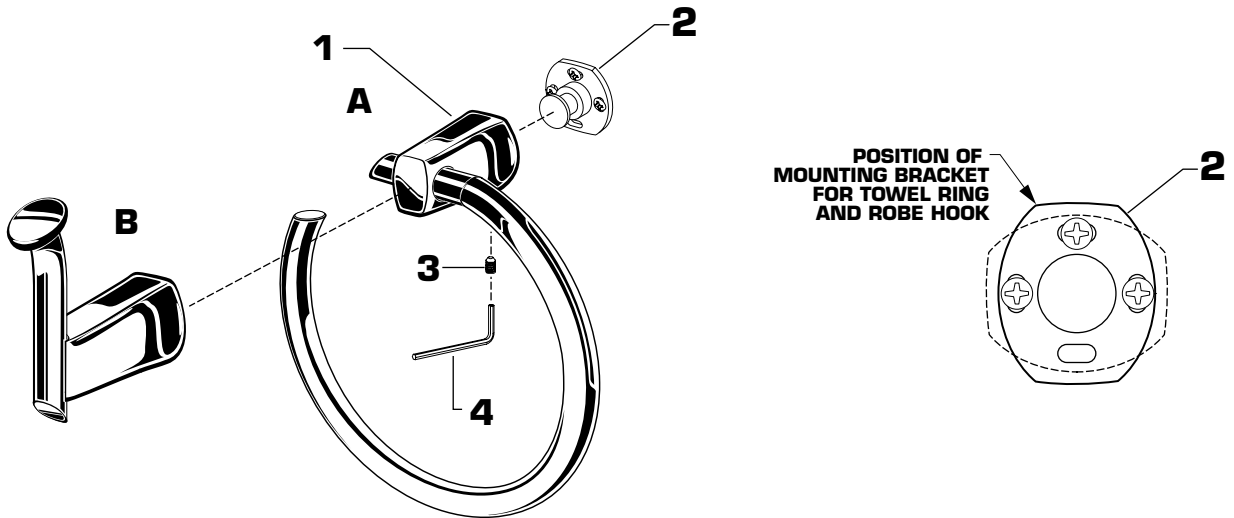
- The TOWEL RING, ROBE HOOK and TISSUE HOLDER work best if secured to a wall stud or cross brace within the wall, using 1-1/2" long SCREWS (3) not supplied.
- If the TOWEL RING, ROBE HOOK and TISSUE HOLDER are to be installed on a tile or plaster wall the ANCHORS (4) and SCREWS (2) should be used.
- Determine desired height and location (optional) for the accessory and mark a center line. If MOUNTING BRACKET (1) is secured to a stud or cross brace drill small pilot holes for SCREWS (3). **(NOTE PROPER POSITION OF MOUNTING BRACKET FOR ACCESSORY TO BE INSTALLED.)**
- **For installations on drywall or tiled walls,** use ANCHORS (4) and SCREWS (2) for securing MOUNTING BRACKETS (1) to wall. Use MOUNTING BRACKET (1) as a template and mark the mounting holes. Drill three 1/8" diameter holes a minimum of 1-1/4" deep. Insert the three ANCHORS (4) flush with face of the finished wall.
- Secure MOUNTING PLATES (1) to wall with SCREWS (2).



2 TOWEL RING INSTALLATION

- Align accessory **(A, B)** and place ESCUTCHEON **(1)** onto MOUNTING BRACKET **(2)**. Secure accessory with SET SCREW **(3)** using 2.5mm HEX WRENCH **(4)** supplied.

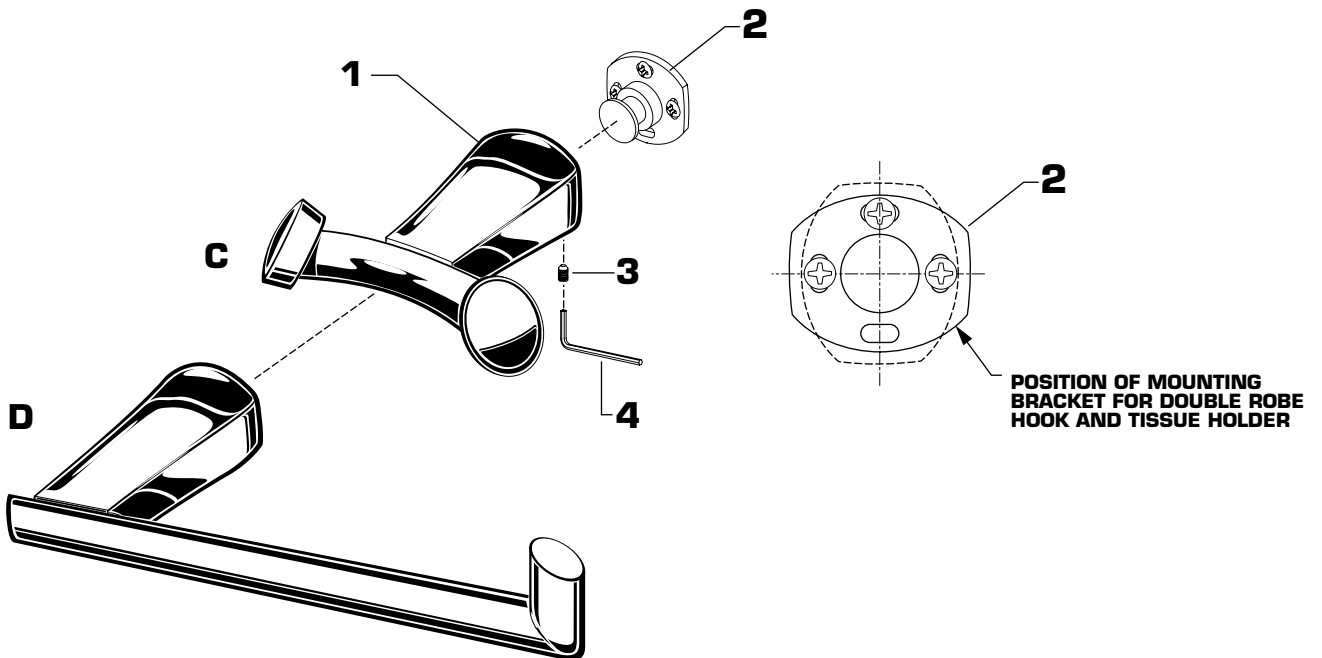
[NOTE POSITION OF MOUNTING BRACKET.]



3 ROBE HOOK AND TISSUE HOLDER INSTALLATION

- Align accessory **(C, D)** and place ESCUTCHEON **(1)** onto MOUNTING BRACKET **(2)**. Secure accessory with SET SCREW **(3)** using 2.5mm HEX WRENCH **(4)** supplied.

[NOTE POSITION OF MOUNTING BRACKET.]



Free Manuals Download Website

<http://myh66.com>

<http://usermanuals.us>

<http://www.somanuals.com>

<http://www.4manuals.cc>

<http://www.manual-lib.com>

<http://www.404manual.com>

<http://www.luxmanual.com>

<http://aubethermostatmanual.com>

Golf course search by state

<http://golfingnear.com>

Email search by domain

<http://emailbydomain.com>

Auto manuals search

<http://auto.somanuals.com>

TV manuals search

<http://tv.somanuals.com>