

INSTALLATION INSTRUCTIONS

Acrylux Builder Series Shower Walls

American Standard

Style That Works Better

**Models: 3232Y1.SW.XXX, 3636Y1.SW.XXX, 4834Y1.SW.XXX,
6032Y1.SW.XXX, 3838Y1.CWT.XXX**

Thank you for selecting American Standard – the benchmark of fine quality for over 100 years. To ensure this product is installed properly, please read these instructions carefully before you begin. Local building codes vary by location. Observe all local plumbing and building codes.

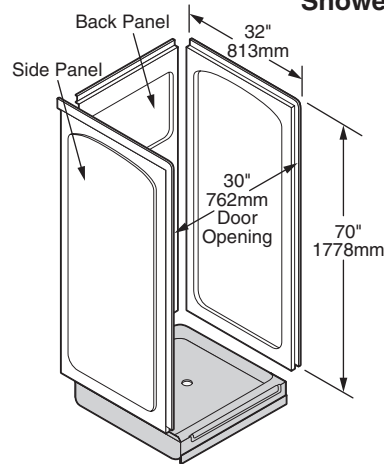
RECOMMENDED TOOLS

- | | |
|-----------------|-------------------|
| Tape Measure | Hole or Saber Saw |
| Safety Glasses | Caulk Gun |
| 3/16" Drill Bit | Pencil |
| Screwdriver | Square |
| Drill | Level |

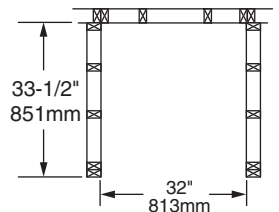
MATERIALS:

- 2 Tubes of Adhesive Compatible with Polystyrene
- Screws 1" Flathead Stainless
- 2" Masking Tape
- Caulk (for Faucet Installation)
- Shims

3232Y1.SW.XXX Shower Wall

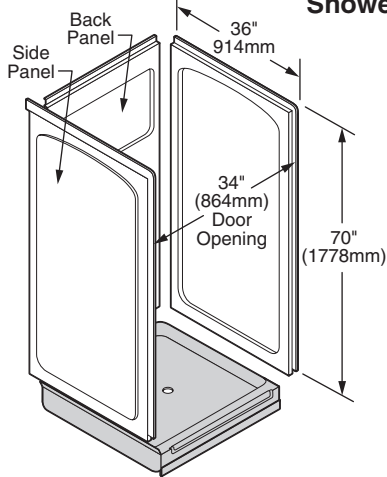


STUD LAYOUT:
Shower wall will fit all standard 32" x 32" shower bases.

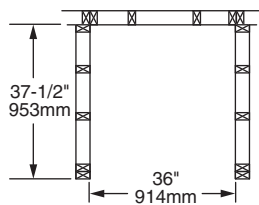


⊗ = stud location

3636Y1.SW.XXX Shower Wall

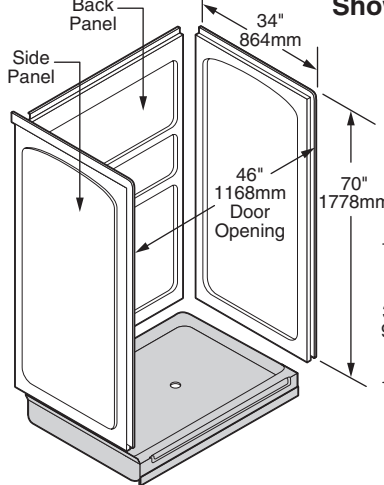


STUD LAYOUT:
Shower wall will fit all standard 36" x 36" shower bases.

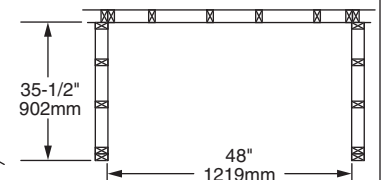


⊗ = stud location

4834Y1.SW.XXX Shower Wall

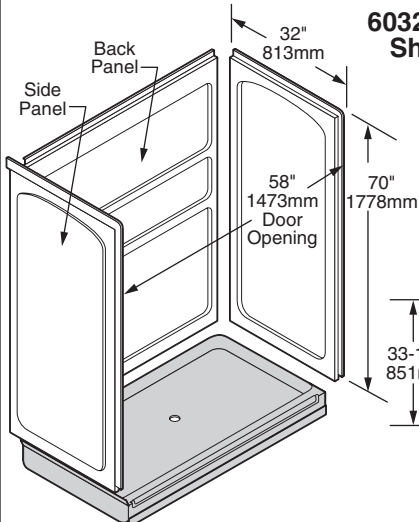


STUD LAYOUT:
Shower wall will fit all standard 34" x 48" shower bases.

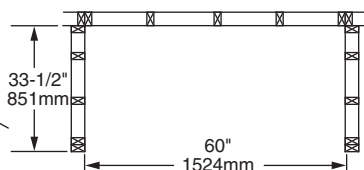


⊗ = stud location

6032Y1.SW.XXX Shower Wall

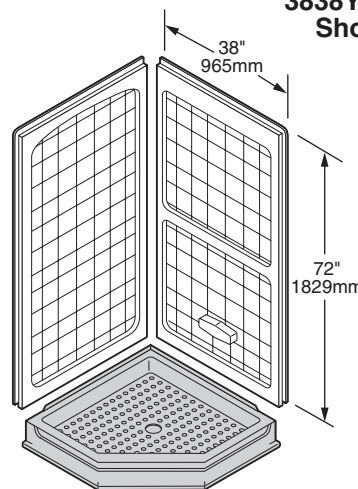


STUD LAYOUT:
Shower wall will fit all standard 32" x 60" shower bases.

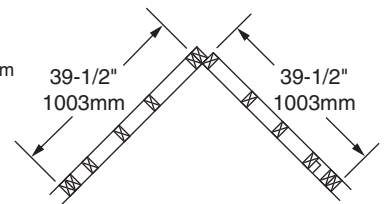


⊗ = stud location

3838Y1.CWT.XXX Shower Wall



STUD LAYOUT:
Shower wall will fit all standard 38" x 38" Corner Entry/Neo shower bases.



⊗ = stud location

INSTALLATION INSTRUCTIONS

IMPORTANT

- Allow panels to reach room temperature before installation.
- Before you begin, locate appropriate product reference (see page 1).
- Read installation instructions carefully before starting project.
- Keep instructions for warranty information.
- Caulk will be necessary when installing American Standard walls on a shower base from another manufacturer.

STEP 1. PREPARING ALCOVE

- Strip alcove to the bare studs. It may be necessary to add a stud at each front corner to provide attachment for side panels as shown in appropriate stud layout on page 1.
- Check that there are no screws, nails or staples in the studs which would interfere with the base or wall installation.
- If installing over existing base, check that studs are plumb to the base, then go to Step 3.
- For new construction, place studs as shown in appropriate stud layout on page 1.
- Check that the sub floor for the base is level and studs are plumb to the sub floor. (Fig. 1)

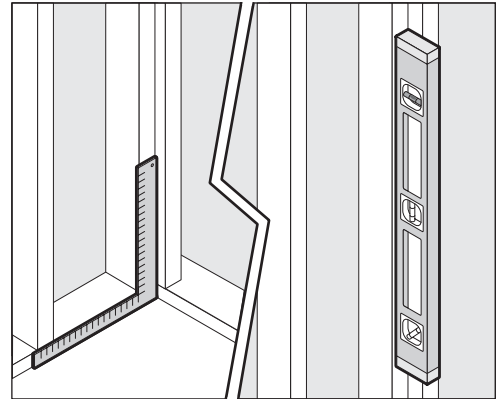


FIGURE 1. Check that studs are plumb with floor/shower.

STEP 2. BASE INSTALLATION

- Follow Manufacturer's instructions for installing your base.

IMPORTANT: Shower base must be plumb and square to alcove for proper wall installation.

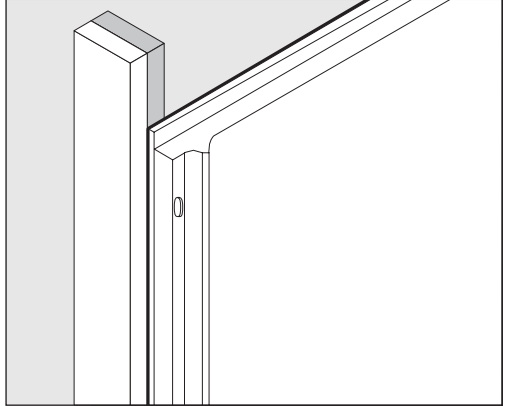


FIGURE 2. Stud must contact entire length of back panel.

STEP 3. TRIAL FITTING PANELS

- Place back panel first. The stud on each side of the back panel should contact the entire length of the back panel. (Fig. 2)
- Fit the side panels by aligning pins on side panels with slots on back panel. (Fig. 3)
- If the studs and back panel do not contact correctly you will need to shim for support. (Fig. 4)
- Center assembled wall on base. Make sure panels are resting flat on base.
- Align the front of the side walls and the front of the base. This makes drywall installation easier.
- If necessary, shim between wall panels and studs to provide a tight fit between the back and side panels. (Fig. 4)
- Measure and mark all control holes. After removing side panels, drill or saw necessary holes.

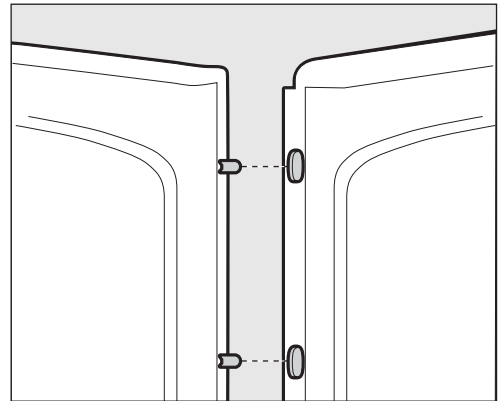


FIGURE 3. Align pins with slots on back wall.

IMPORTANT: Drill or saw holes from the front side. Cover area to be cut with masking tape to prevent chipping and scratching.

- Mark the height of the wall on each stud to indicate where to apply adhesive on the stud. (Fig. 5)
- Remove panels from alcove.

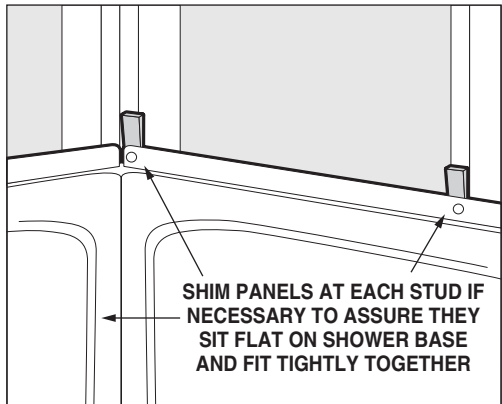


FIGURE 4. You can shim against the stud.

(INSTRUCTIONS CONTINUED ON NEXT PAGE)

INSTALLATION INSTRUCTIONS (continued)

STEP 4. INSTALLING SHOWER WALL IN ALCOVE

- Apply a generous bead of adhesive below mark on each back wall stud only (follow adhesive manufacturer's recommended instructions).
- Position back panel in place and press firmly against studs to assure full contact with adhesive.
- Apply adhesive to studs for side panel opposite the shower controls.
- Push side panel firmly into place.
- Apply adhesive to each stud for faucet side panel and push side panel firmly into place. (Fig. 6)
- Reposition shims as needed.
- Align the front of the side walls and the front of the shower base.
- With walls properly positioned and shimmed, screw front flanges of side panels to studs.
- Screw top flange of side panels to studs.
- Screw back panel flange to studs.
- After installation is complete, press panels against each stud to assure full contact with the adhesive. This will prevent the wall from "oil canning" and helps deaden the sound in finished alcove.

STEP 5. CAULKING

- When installed on an American Standard Shower Base, your American Standard Shower Wall is designed to function properly without being caulked. However, if you prefer the appearance of caulked joints, all seams must be caulked.
- Caulk must be applied around holes for the faucet, diverter valve and shower head.
- If your American Standard Shower Walls are used on a shower base other than an American Standard base, it will be necessary to caulk all seams.
- If a shower door is installed, it will require caulking between the base, the walls and the door.
- When caulking is required, always use a good grade silicone caulk for best results.

STEP 6. FINISHING

DRYWALL

- Using lattice strips or 1/4" luan, shim studs so that drywall will overlap nail flange smoothly. (If your wall extends past the shown alcove, it may be necessary to shim these studs.) (Fig. 7)
- Install 1/2" drywall on sides of alcove first then the back.

TILE

- Install 1/2" drywall up to (not over) wall nail flanges.
- Tile may now be installed over drywall up to the wall.

CLEANING

- Do not use any abrasive cleaners or metal scrapers.
- If drywall mud or plaster gets on your shower, it may be carefully removed with a wooden scraper made from a piece of scrap wood.
- Adhesive may be removed with mineral spirits.
- Ideal cleaners are Soft Scrub Gel® or Comet Gel®.

WARNING: Some cleaning products are not suitable for use. Read all labels carefully. DO NOT USE if they say "not suitable for use with ABS, acrylic or polystyrene".

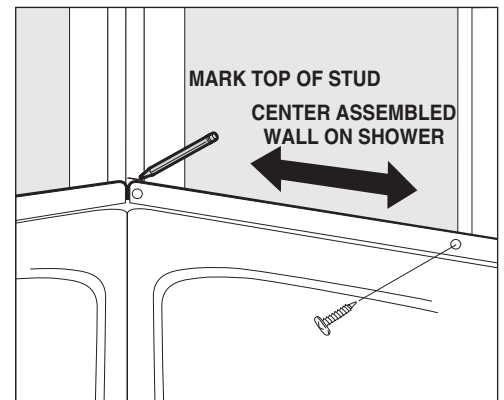


FIGURE 5. Mark studs.

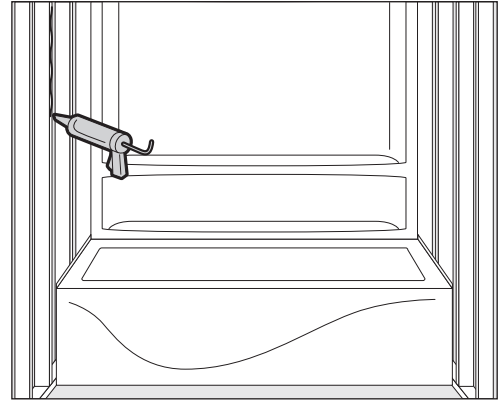


FIGURE 6. Apply adhesive.

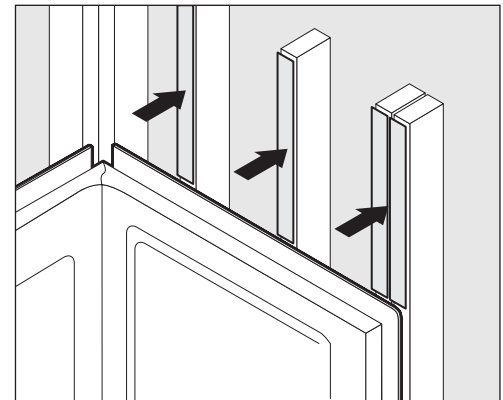


FIGURE 7. Shim studs.

SCRATCH REMOVAL INSTRUCTIONS

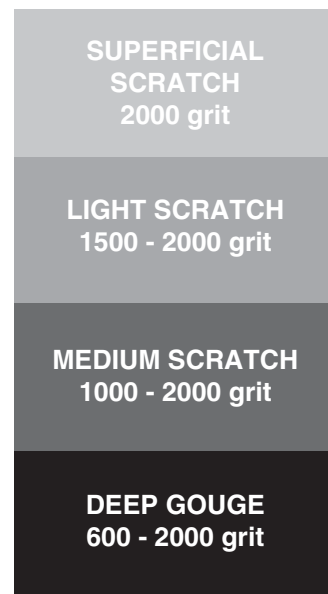
1. For effective scratch removal and polishing, you will need to purchase these items:

- 1 sheet 1000 grit 3M® wet-dry sandpaper
- 1 sheet 1500 grit 3M® wet-dry sandpaper
- 1 sheet 2000 grit 3M® wet-dry sandpaper
- 1 small container of 3M® rubbing compound #05933

These items can be purchased at most auto supply stores that provide supplies to professional paint and body shops. Call before you go.

Not all auto supply stores will have these items.

2. Start sanding with 2000 grit paper. Use small squares of paper about 2" x 2" for all sanding and use lots of water. The water serves as both a lubricant and to prevent residue buildup on the paper. Residue buildup shortens the effective life of the paper and may scratch the surface you are trying to polish.
3. 2000 grit paper is the finest grit available (the higher the number, the finer the grit). If you can't remove all of the scratches with 2000 grit, switch to 1500 grit. Remember to wash the paper frequently with water as you sand.
4. If all of the scratches cannot be removed with 1500 grit, switch to 1000 grit. This should remove most fine scratches. If you have deep scratches or a gouge, coarser paper may have to be used (see chart to right). Be careful! Using grit that is too coarse may actually put in more scratches than it removes.
5. Once you have removed all of the scratches by sanding the finest paper possible, repeat the sanding process using successively finer grits of paper until you have once again sanded with 2000 grit.
6. Now use 3M® rubbing compound #05933 on a soft, damp cloth. Polish using considerable pressure to produce a smooth, shiny finish.



SCRATCH / SANDPAPER GUIDE

AS AMERICA, INC. ("AMERICAN STANDARD") LIMITED WARRANTY FOR ACRYLUX PRODUCTS

AS America, Inc. ("American Standard") warrants to the original consumer purchaser that it will, at its option, repair or replace any of its plumbing products found by it to be defective under normal use and maintenance within the following periods from date of purchase: Electronic Components - two (2) years; Pump Motors - three (3) years; Fittings and Plumbing - two (2) years; Shell - ten (10) years residential; three (3) years commercial. In the event of a limited warranty claim proof of purchase will be required—save sales receipt.

This limited warranty DOES NOT COVER the following:

1. Defects or damage arising from shipping, installation, alterations, accidents, abuse, misuse, lack of proper maintenance and use of other than genuine American Standard replacement parts, in all cases whether caused by a plumbing contractor, service company, the owner or any other person.
2. Deterioration through normal wear and tear.
3. Expense of normal maintenance - periodic replacement of washers, seals, etc. is a normal maintenance requirement.
4. IN NO EVENT WILL AMERICAN STANDARD BE LIABLE FOR THE COST OF REPAIR OR REPLACEMENT OF ANY INSTALLATION MATERIALS, INCLUDING BUT NOT LIMITED TO, TILES, MARBLE ETC.
5. Postage or shipping costs for returning products for repairs or replacement under this limited warranty and labor or other costs incurred in connection with product removal or installation under this limited warranty.
6. ANY LIABILITY FOR CONSEQUENTIAL OR INCIDENTAL DAMAGES, ALL OF WHICH ARE HEREBY EXPRESSLY DISCLAIMED, OR THE EXTENSION BEYOND THE DURATION OF THIS LIMITED WARRANTY OF ANY IMPLIED LIMITED WARRANTIES, INCLUDING THOSE OF MERCHANTABILITY OR FITNESS FOR AN INTENDED PURPOSE. (Some jurisdictions do not allow limitations on how long an implied limited warranty lasts, or the exclusion or limitation of incidental or consequential damages, so these limitations and exclusions may not apply to you.)
7. Responsibility for compliance with local code requirement. (Since code requirements vary greatly, distributors, dealers, installation contractor and users of plumbing products should determine whether there are any code restrictions on the installation or use of a specific product.)
8. If a whirlpool unit is purchased by a dealer and used as a demonstration unit the limited warranty takes effect as soon as the dealer uses the product as a demo. If this demonstration unit is subsequently sold to a customer, the dealer may transfer the remaining period of the limited warranty to the buyer only with American Standard written approval.

This limited warranty gives you specific legal rights. You may have other statutory rights that vary from state to state or from province to province, in which case this limited warranty does not affect such statutory rights.

By Mail: American Standard Inc.
P.O. Box 659
West Caldwell, N.J. 07007
Attention: Customer Care Center

By Telephone:
1-800-442-1902



Free Manuals Download Website

<http://myh66.com>

<http://usermanuals.us>

<http://www.somanuals.com>

<http://www.4manuals.cc>

<http://www.manual-lib.com>

<http://www.404manual.com>

<http://www.luxmanual.com>

<http://aubethermostatmanual.com>

Golf course search by state

<http://golfingnear.com>

Email search by domain

<http://emailbydomain.com>

Auto manuals search

<http://auto.somanuals.com>

TV manuals search

<http://tv.somanuals.com>