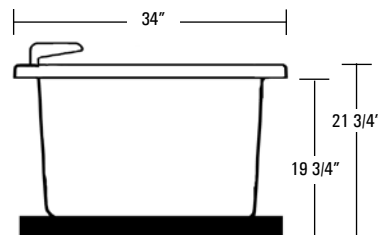
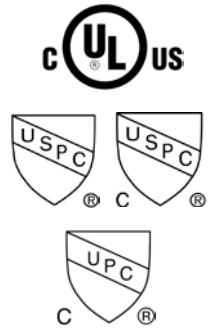
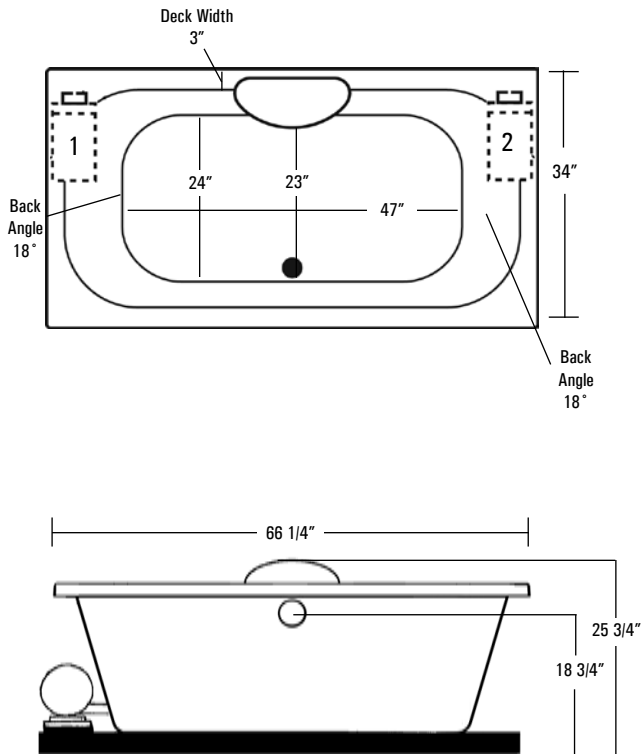


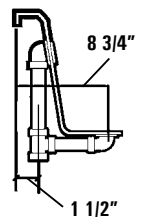
# HOTSOAK 91

AQUATIC

**HOTSOAK SERIES** MODEL # AI33AIR6634HS



**Rough-In Plumbing Measurements**



## SPECIFICATIONS:

### GENERAL SPECIFICATIONS:

Tub Size	66 1/4" x 34" x 25 3/4"
	168 cm x 86 cm x 65 cm
Bathing Well	47" long
	24" wide
	19" interior depth
Maximum Water Depth	15"
Shipping Weight	183 lbs. / 83 kg
Tub Weight Filled	812 lbs. / 368 kg
Tub Only Weight	96 lbs. / 44 kg
Weight w/Equipment	106 lbs. / 48 kg
Gallons to Overflow	85 gal. / 322 L

### ELECTRICAL SPECIFICATIONS:

Pump	1/15 HP; 1.3 AMP; 110V
Heater	1.5 kW; 12.5 AMP; 110V
Requirements	20 AMP; 110V, separate circuit required protected w/ Class A GFCI

### STANDARD EQUIPMENT:

#### Aquatic Quality Features:

- Integrally Molded Fast-Fill Waterfall Spout (valves not included)
- 1.5 kW Inline Maintenance Heater
- Run-Dry Pump with 20-Minute Timer
- 2 Circulation Portal Covers
- Bath-Side On/Off Electronic Button
- "Quiet Pad" Anti-Vibration Pump Mount for Quiet Operation
- Slip Resistant Floor
- Extra Deep and Long Bathing Well
- Pre-leveled ABS Support Base
- Heat-bent Rigid PVC Piping for Optimum Sanitary Conditions
- Durable, Easy to Clean, Lucite® Cast Acrylic Surface
- Available in 8 Standard No-Charge Colors

**UL & IAPMO Listed, Factory Tested Limited Lifetime Warranty**

### OPTIONAL EQUIPMENT:

- Chromatherapy\*
- Comfort Pillow - Oval or Rectangle
- Bolt-On Grab Bars
  - White, Biscuit, Chrome, Polished Brass, Gold, Polished Nickel, Satin Nickel or Oil Rubbed Bronze
- Lift & Turn Waste and Overflow
  - Chrome, Polished Brass, Gold, Polished Nickel, Satin Nickel or Oil Rubbed Bronze
- Cable Drive Waste and Overflow
  - Chrome, Polished Brass, Gold, Polished Nickel, Satin Nickel, Oil Rubbed Bronze or Color Matched (Bone, White and Biscuit Only)
- Chromatherapy
- Optional Pump Location
- Factory Installed Tile Flange\*\*
- Color Matched Acrylic Skirt
- Premium Colors

*This unit is not recommended for shower installations.*

*All acrylic colors featured by Aquatic match the industry's leading fixture manufacturers.*

*\*\*Tile flange cannot be installed on waterfall fill spout side.*

*\*This whirlpool will need to be hard wired to the breaker box. Three outlets will be supplied on the whirlpool.*

**Fax-On-Demand Document # 1255**



## Free Manuals Download Website

<http://myh66.com>

<http://usermanuals.us>

<http://www.somanuals.com>

<http://www.4manuals.cc>

<http://www.manual-lib.com>

<http://www.404manual.com>

<http://www.luxmanual.com>

<http://aubethermostatmanual.com>

Golf course search by state

<http://golfingnear.com>

Email search by domain

<http://emailbydomain.com>

Auto manuals search

<http://auto.somanuals.com>

TV manuals search

<http://tv.somanuals.com>