



ASSEMBLY INSTRUCTIONS

Heritage Arbor/Grand Entry

HA

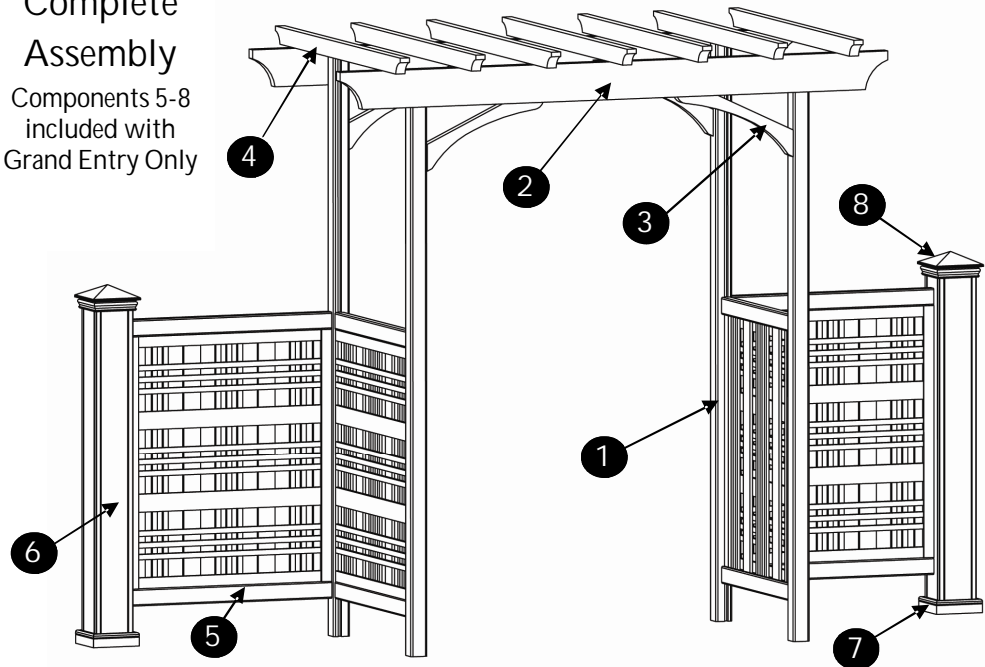
PLEASE READ THROUGH BEFORE STARTING ASSEMBLY

COMPONENTS LIST

- 1 Arbor side panels (2)
- 2 Headers (2)
- 3 Braces (4)
- 4 Caps (7)
- 5 Wings (2)
- 6 Post sleeves (2)
- 7 Post Base Kit (2)
- 8 Post caps (2)

(Hardware included)

Complete
Assembly
Components 5-8
included with
Grand Entry Only



YOU WILL NEED

Tools and Supplies for Arbor

- Phillips screwdriver
- Tape measure
- Carpenter Square
- Pre-mix concrete (120lb) (optional)

Additional Tools and Supplies for Grand Entry

- 5' Pressure treated 4x4 posts (2)
- 2" Galvanized trim head nails
- Concrete mixing tools
- Wood shims
- Wood adhesive
- Pre-mix concrete (120lb)

HARDWARE PROVIDED

Arbor only

- 2 1/2" screws (8)
- 3 1/2" screws (22)
- 9 7/8" spacer block
- Anchor stake kit
 - ◊ 3/4" screws (8)
 - ◊ Anchors (4)

Additional Hardware (Included with Grand Entry)

- 2 1/2" washer head screws (8)
- #2 square head driver bit

PRELIMINARIES

IF YOU PLAN TO PAINT

If you wish to stain or paint your arbor/entry, we recommend that you do so before assembly, this will make the product easier to install. Be careful not to cover up guide marks on the rafters.

WORK AREA

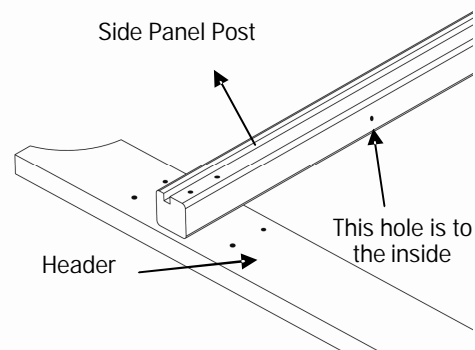
Select an area close to where the arbor/entry will be installed. The assembly area should be relatively flat and open with at least 8'x6' of space. We recommend the use of the shipping box as your work surface to protect the arbor/entry against damage during assembly.

STEP 1: ATTACHING THE SIDE PANELS TO THE HEADERS

Headers are designed to allow three sizes of opening allowing you to choose the size of opening that best fits your project needs.

Outside holes for a 60 1/2" opening, center holes are for 54 1/2", inside holes are for 48 1/2". The diagram at right shows a 54 1/2" setting.

Drive the 3 1/2" screw through the top hole in the side panel post, the screw should stick through about 1/2". Place the screw point with the appropriate hole in the header and drive the screw in the rest of the way. Do not drive the second (lower) screw; these will be installed in Step 2.

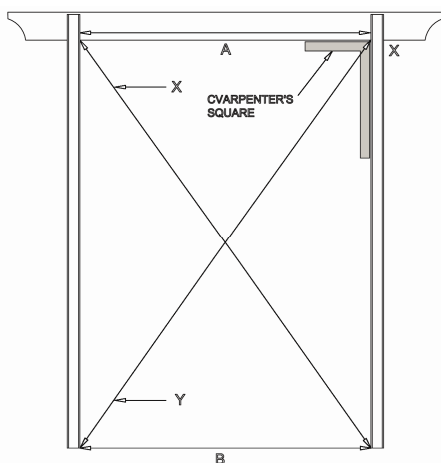


Repeat the above process with the second side panel on the other end of the same header.

STEP 2: SQUARING THE ARBOR

The arbor may be squared by using a carpenter square between the header and side panel or with the aid of a measuring tape and careful adjustments.

$A=b$ and $x=y$.

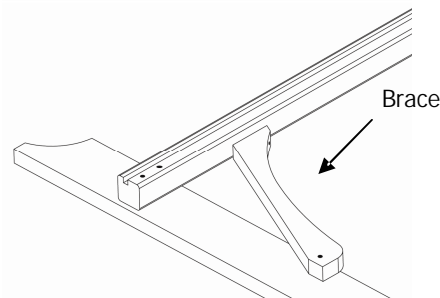


When the arbor is square, drive the second screws into the posts securing them to the header.

Install two of the included braces using 2 1/2" screws.

Turn arbor 180 degrees by lifting the arbor upright and back to the ground so that the second header is under the posts.

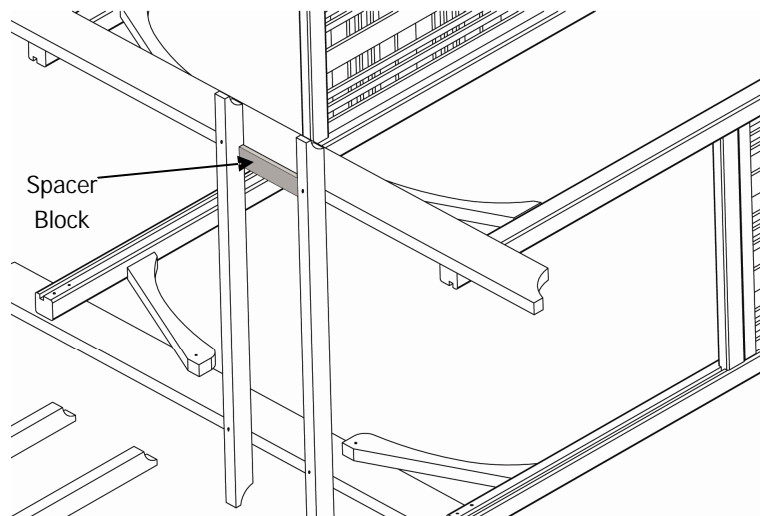
Repeat steps one and two, attaching the header and braces.



STEP 3: INSTALLING THE CAPS

Securely prop the header end of the arbor 7" off the ground. Use a 3 1/2" screw to install the first cap into the marked center point on top of the header.

Use the 9 7/8" spacer block and 3 1/2" screws to install the remaining caps.

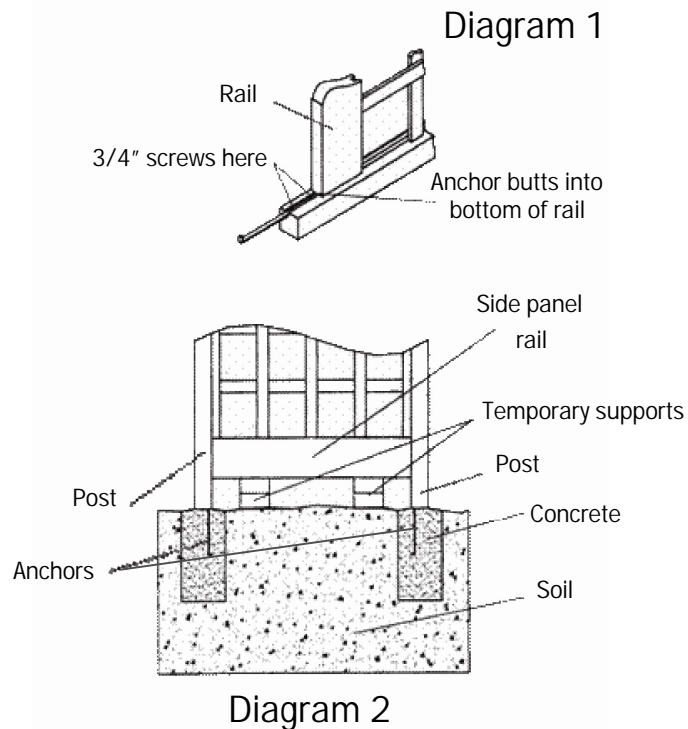


STEP 4: INSTALLING ARBOR IN PROPER LOCATION

The most common method of installation is to secure the arbor to concrete footings using the four anchors provided. It may also be possible to secure the arbor to an existing structure, such as a fence post, if you would like it installed on concrete or decking. If choosing this option see your local hardware dealer for the applicable hardware.

Anchor and Concrete Installation

- Move the arbor to its final location; this will require some assistance. When you are satisfied with the location mark the position of the posts, move the arbor aside and lay it carefully on its side. Dig a hole at least 6" wide and 12" deep for each post.
- Attach the anchors to the posts using the 3/4" screws provided. See Diagram 1.
- Carefully move the arbor back to its final position, support it plumb and level over the holes with bricks, stones or blocks of wood under the side panel rails. The post bottoms should be close to the level of the ground surface. See Diagram 2.
- Fill each hole with bagged concrete, mixed according to the manufacturer's instructions. Concrete should come to within 1/4" of the bottom of the post but the post should not be in concrete.



STEP 5: SETTING THE POSTS/POST SLEEVES FOR GRAND ENTRY

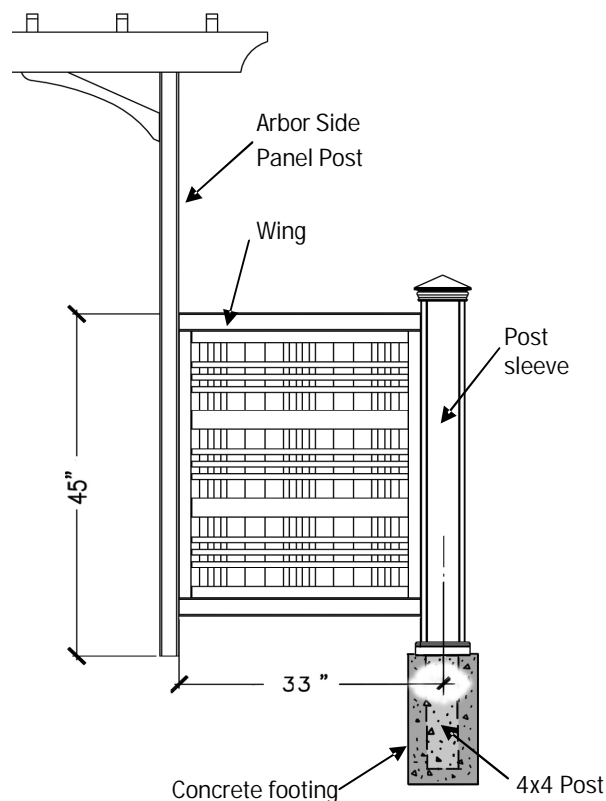
The following steps only apply if you have purchased the complete Heritage Grand Entry package.

Now that the arbor is in place, measure 33" out from the side panel post to locate the center position of the 4x4 post. Align the center of arbor post with the center of the 4x4 post.

Dig a hole 24" deep and 10" wide; install a 5' 4x4 pressure treated post using concrete. The posts should be plumbed in two directions.

Slide the post sleeve over the post with the notched sides facing the ground. Use shims to elevate the post sleeves 1/4" off the ground.

Insert wing panel to ensure a good fit, adjust as needed before concrete has fully set.



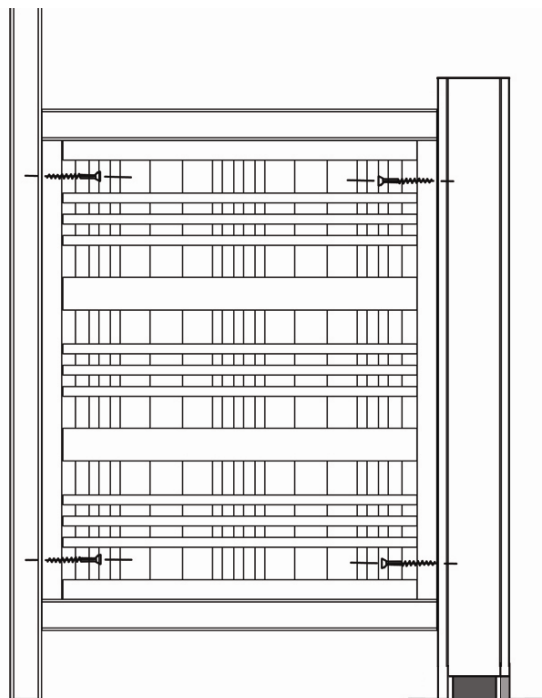
STEP 6: CONNECTING WING TO ARBOR PANELS AND POSTS SLEEVE

Align the lattice of wing-panel to the lattice of the arbor's side panel.

Install the wing-panel panel using 2 1/2" washer head screws.

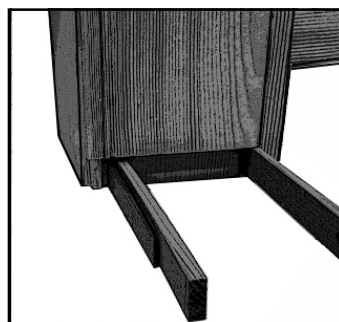
You will need two on the top and two on the bottom through the frame of the wing-panel.

These self-tapping screws will help prevent splitting wood.

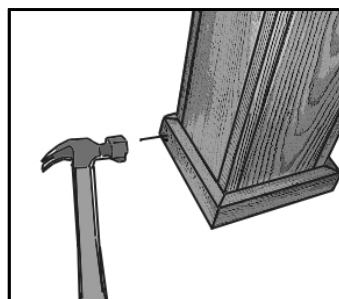


STEP 7: SHIMMING AND TRIMMING POST SLEEVE

- Use shims, adhesive and finish nails or screws to secure the shims and sleeve firmly to the 4x4 post. Be sure to shim both the top and bottom of the post.
- Trim shims flush with the sleeve surface.
- Trim base molding to fit the post sleeve.
- Using wood adhesive and galvanized finishing nails connect all four sides of the base molding to the post sleeve.
- Finish the installation by capping the post sleeve with the post caps, use wood adhesive or finish nails to secure the post cap to the post sleeve.



Congratulations! You've done it!



Free Manuals Download Website

<http://myh66.com>

<http://usermanuals.us>

<http://www.somanuals.com>

<http://www.4manuals.cc>

<http://www.manual-lib.com>

<http://www.404manual.com>

<http://www.luxmanual.com>

<http://aubethermostatmanual.com>

Golf course search by state

<http://golfingnear.com>

Email search by domain

<http://emailbydomain.com>

Auto manuals search

<http://auto.somanuals.com>

TV manuals search

<http://tv.somanuals.com>